



US00D845761S

(12) **United States Design Patent**
Sofy et al.

(10) **Patent No.:** **US D845,761 S**

(45) **Date of Patent:** **** Apr. 16, 2019**

(54) **CLOSURE CLIP**

(71) Applicant: **HMS Mfg. Co.**, Troy, MI (US)

(72) Inventors: **Janet M. Sofy**, Troy, MI (US); **Todd Kemmer**, Clarkston, MI (US)

(73) Assignee: **HMS MFG. CO.**, Troy, MI (US)

(**) Term: **15 Years**

(21) Appl. No.: **29/633,973**

(22) Filed: **Jan. 17, 2018**

(51) **LOC (11) Cl.** **09-07**

(52) **U.S. Cl.**

USPC **D9/434**; D9/435

(58) **Field of Classification Search**

USPC D9/414, 416, 425, 434, 435, 436, 438, D9/439, 440, 442, 443, 446-450, D9/452-457, 499, 503-505, 682, 685, D9/686, 695, 702, 703, 705, 708, 709, D9/712; D7/387, 391, 392, 392.1, 393, D7/394, 396.1-396.4, 401.1, 503-505, D7/509-511, 538, 900; D3/201, 202, D3/203.2, 318; D28/91, 91.1

CPC .. A61J 1/00; A61J 1/1412; B65D 1/00; B65D 1/02; B65D 1/10; B65D 1/46; B65D 2585/56; B65D 2585/545; B65D 41/00; B65D 41/38; B65D 41/56; B65D 41/62; B65D 47/00; B65D 47/06; B65D 47/08; B65D 2543/00046; B65D 2543/00092; B65D 2543/00296; B65D 5/46; B65D 2251/00

See application file for complete search history.

(56) **References Cited**

U.S. PATENT DOCUMENTS

D114,269 S * 4/1939 Poux 24/428
2,499,898 A * 3/1950 Anderson A44B 18/0053
128/DIG. 15

3,516,217 A 6/1970 Gildersleeve
D289,622 S * 5/1987 Crowle D11/216
5,356,222 A 10/1994 Kettner et al.
5,480,030 A 1/1996 Sweeney et al.
5,701,996 A 12/1997 Goto et al.
5,894,929 A 4/1999 Kai et al.
5,950,285 A 9/1999 Porchia et al.
5,954,196 A 9/1999 Lin et al.
6,033,113 A 3/2000 Anderson

(Continued)

FOREIGN PATENT DOCUMENTS

CN 201095489 Y 8/2008
CN 201447153 U 5/2010

(Continued)

Primary Examiner — Michael A. Pratt

Assistant Examiner — Wendy L Arminio

(74) *Attorney, Agent, or Firm* — Dickinson Wright PLLC

(57) **CLAIM**

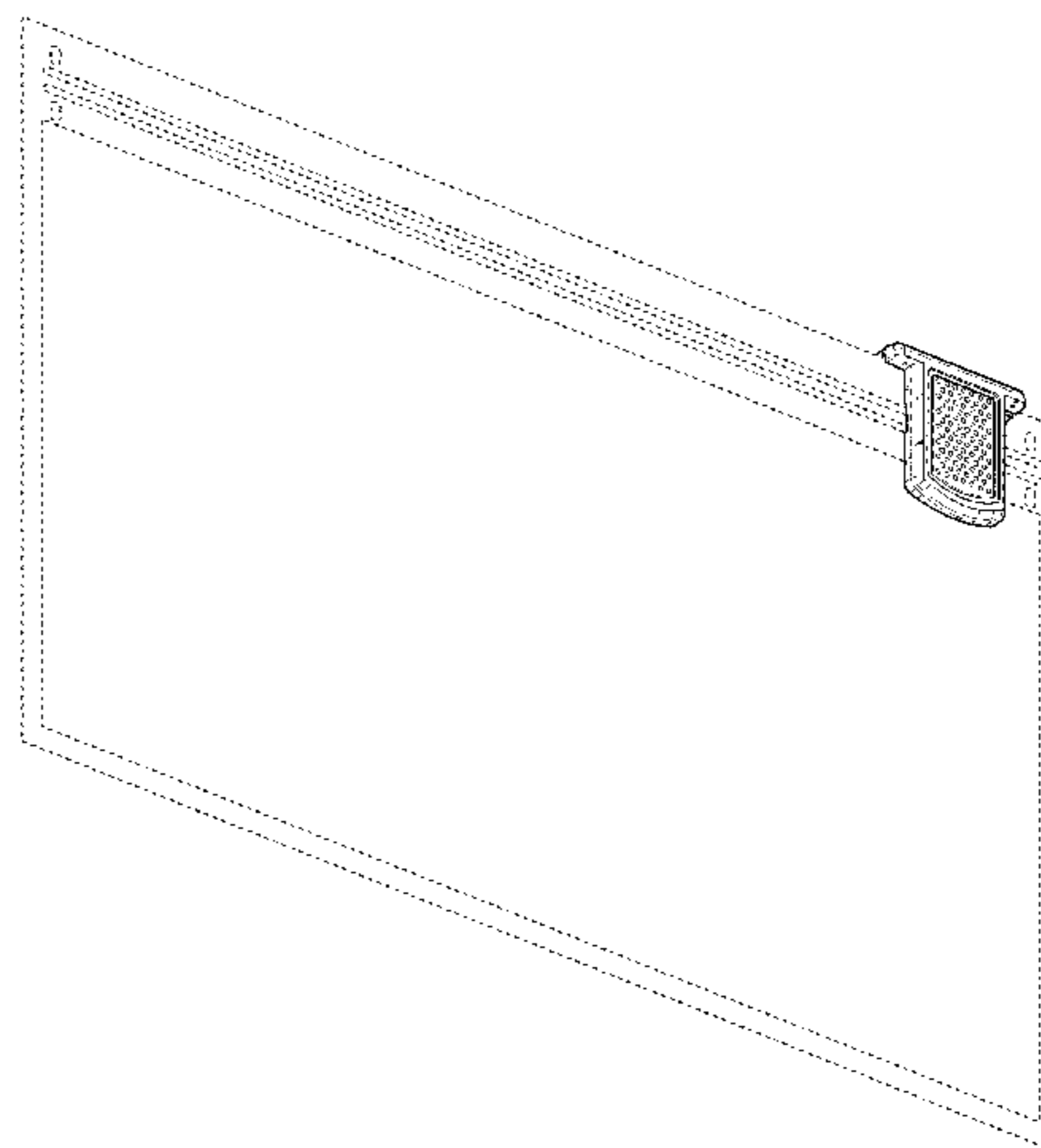
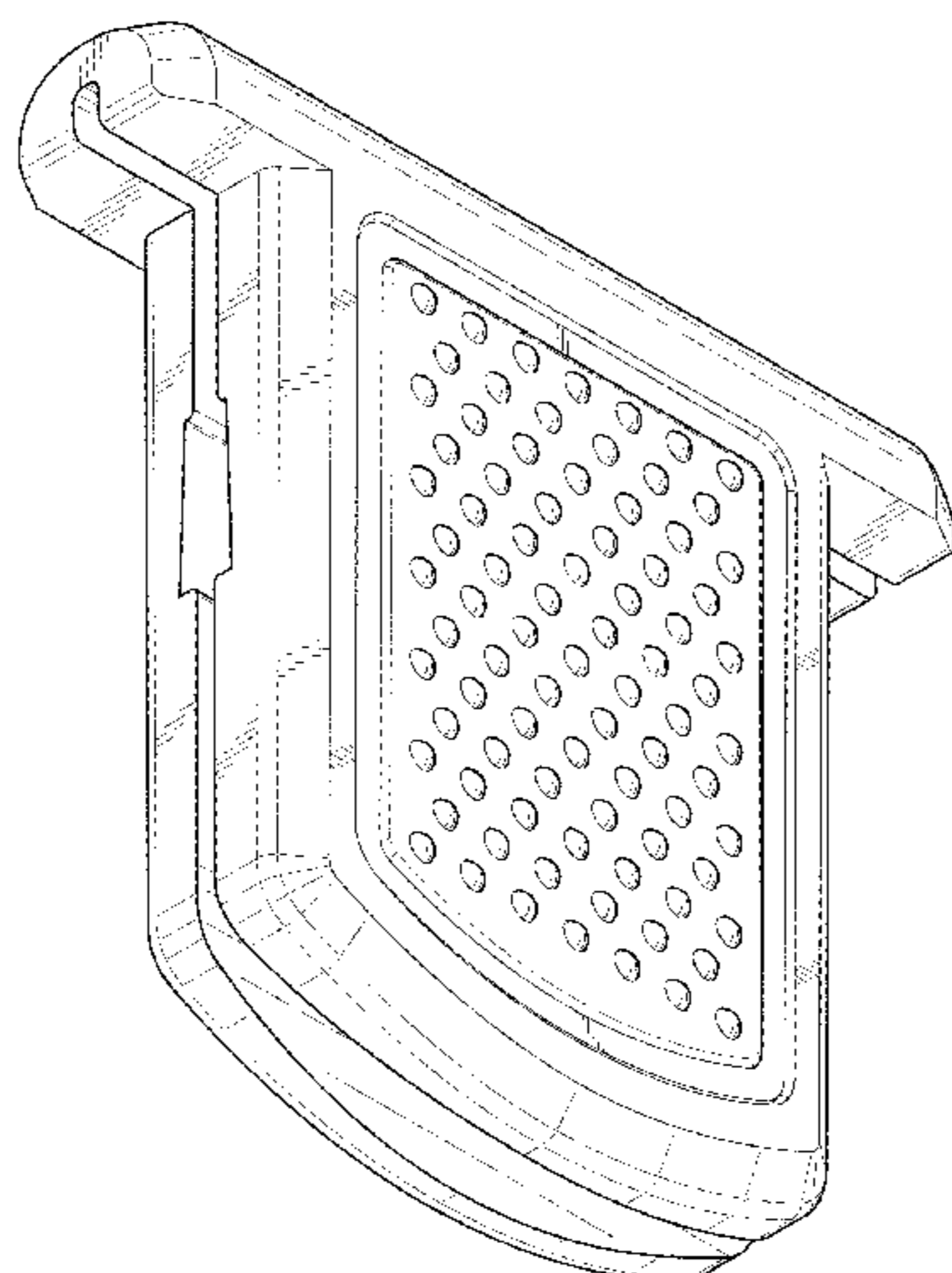
The ornamental design for a closure clip, as shown and described.

DESCRIPTION

FIG. 1 is a front perspective view of the closure clip; FIG. 2 is a top view of the closure clip; FIG. 3 is a bottom view of the closure clip; FIG. 4 is a front view of the closure clip; FIG. 5 is a rear view of the closure clip; FIG. 6 is a left side view of the closure clip; FIG. 7 is a right side view of the closure clip; and, FIG. 8 is a front perspective view of the closure clip shown in a position of use on a reclosable pouch drawn in broken lines.

The broken lines in FIG. 8 depict environmental structure and form no part of the claimed design. The characteristic feature of the design resides in the t-shape and gripping area of the t-shape of the closure clip.

1 Claim, 6 Drawing Sheets



(56)

References Cited

U.S. PATENT DOCUMENTS

6,036,364 A * 3/2000 Heuvel B65D 33/2591
 24/399
 D422,909 S * 4/2000 Smith D9/434
 6,116,781 A 9/2000 Skeens
 D439,866 S * 4/2001 Savicki, Sr. D11/221
 6,357,915 B2 3/2002 Anderson
 6,408,872 B1 6/2002 Skeens et al.
 6,575,191 B2 6/2003 Skeens et al.
 D479,467 S * 9/2003 Buchman D9/434
 6,637,939 B2 * 10/2003 Huffer B65D 33/2591
 383/100
 6,728,997 B1 * 5/2004 Savicki B65D 33/2591
 24/399
 D490,706 S * 6/2004 Smith D9/434
 6,837,268 B2 1/2005 Skeens et al.
 6,854,887 B2 2/2005 Anderson
 D512,909 S * 12/2005 Buchman D9/434
 D520,870 S * 5/2006 Withers D9/434
 D525,122 S * 7/2006 Turvey D9/434
 7,255,477 B2 * 8/2007 Arnell B65D 33/2591
 383/61.2
 D558,979 S * 1/2008 Wu D3/318

7,614,203 B2 11/2009 Oltrogge
 7,713,320 B2 5/2010 Pham
 8,074,685 B2 12/2011 Calvo et al.
 8,608,380 B2 12/2013 Kim
 D808,657 S * 1/2018 Gerbelle D3/324
 D815,957 S * 4/2018 Turvey D9/705
 2002/0162767 A1 11/2002 Ohtsubo
 2004/0136618 A1 * 7/2004 Ausnit B65D 33/2591
 383/64
 2005/0063616 A1 * 3/2005 Chang B65D 33/2591
 383/5
 2005/0173439 A1 8/2005 Chen
 2005/0196077 A1 9/2005 Ootsubo et al.
 2011/0278289 A1 11/2011 Shi
 2012/0128274 A1 5/2012 Lituchy
 2012/0318702 A1 12/2012 Shi
 2014/0353203 A1 12/2014 Hu et al.

FOREIGN PATENT DOCUMENTS

CN 202464347 U 10/2010
 CN 203143246 U 8/2013
 WO 9516619 6/1995
 WO 03000564 1/2003

* cited by examiner

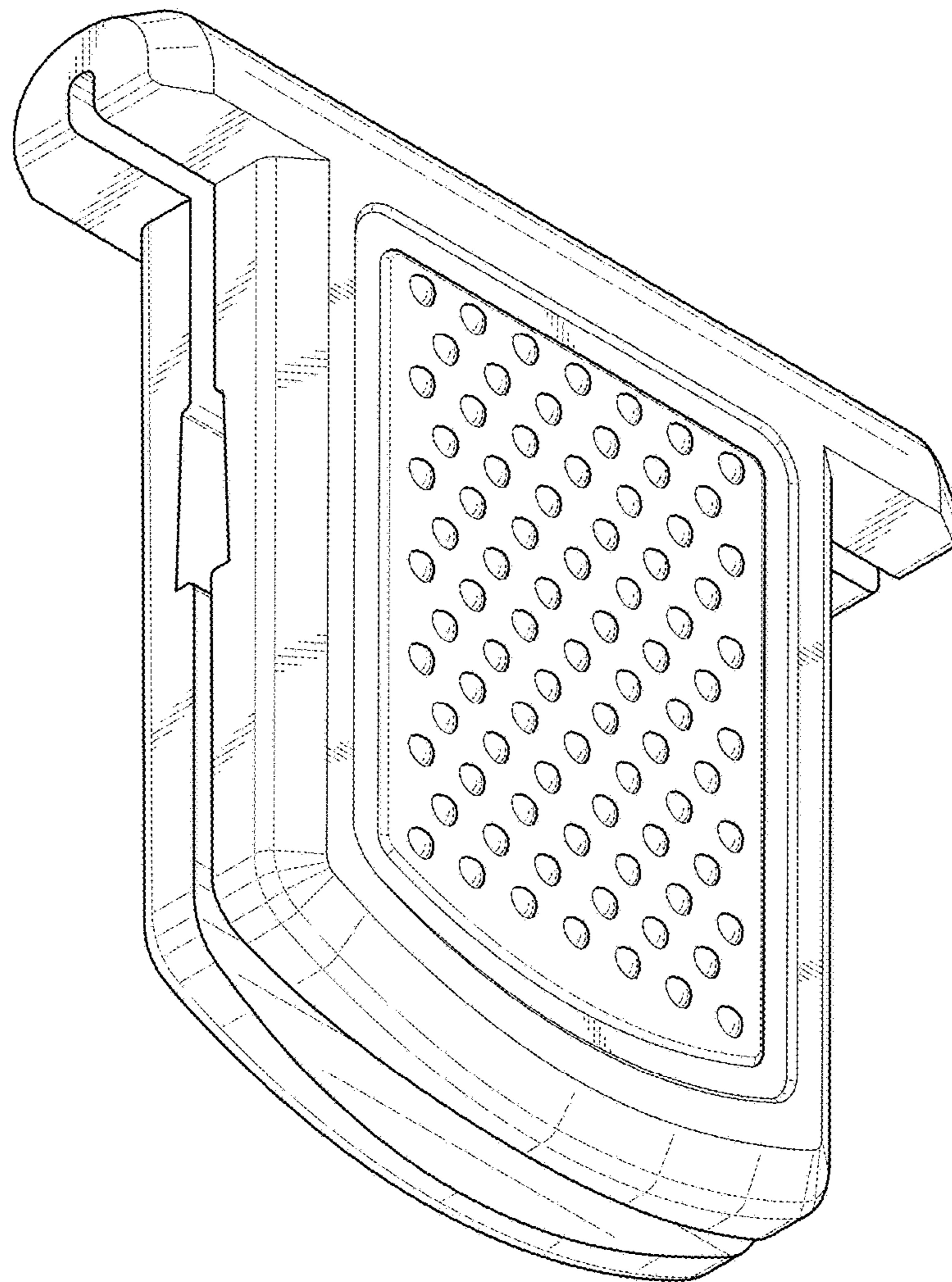


FIG. 1

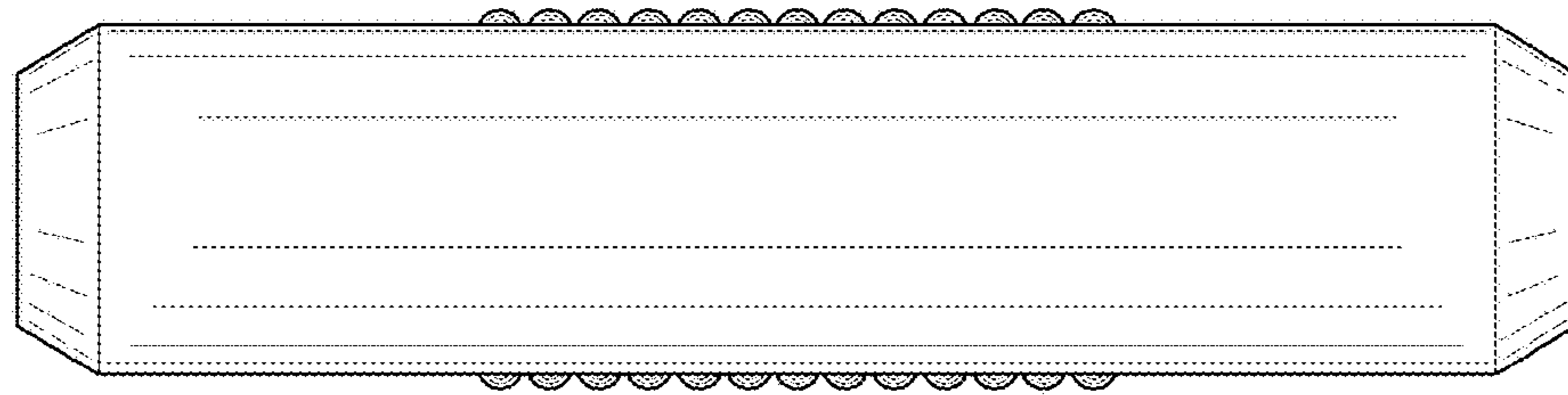


FIG. 2

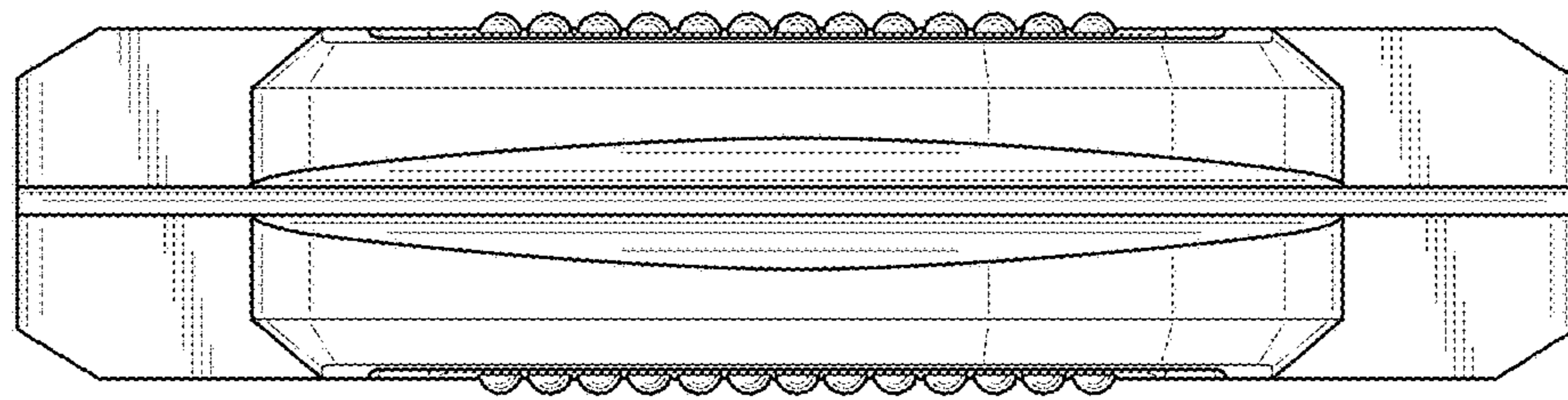


FIG. 3

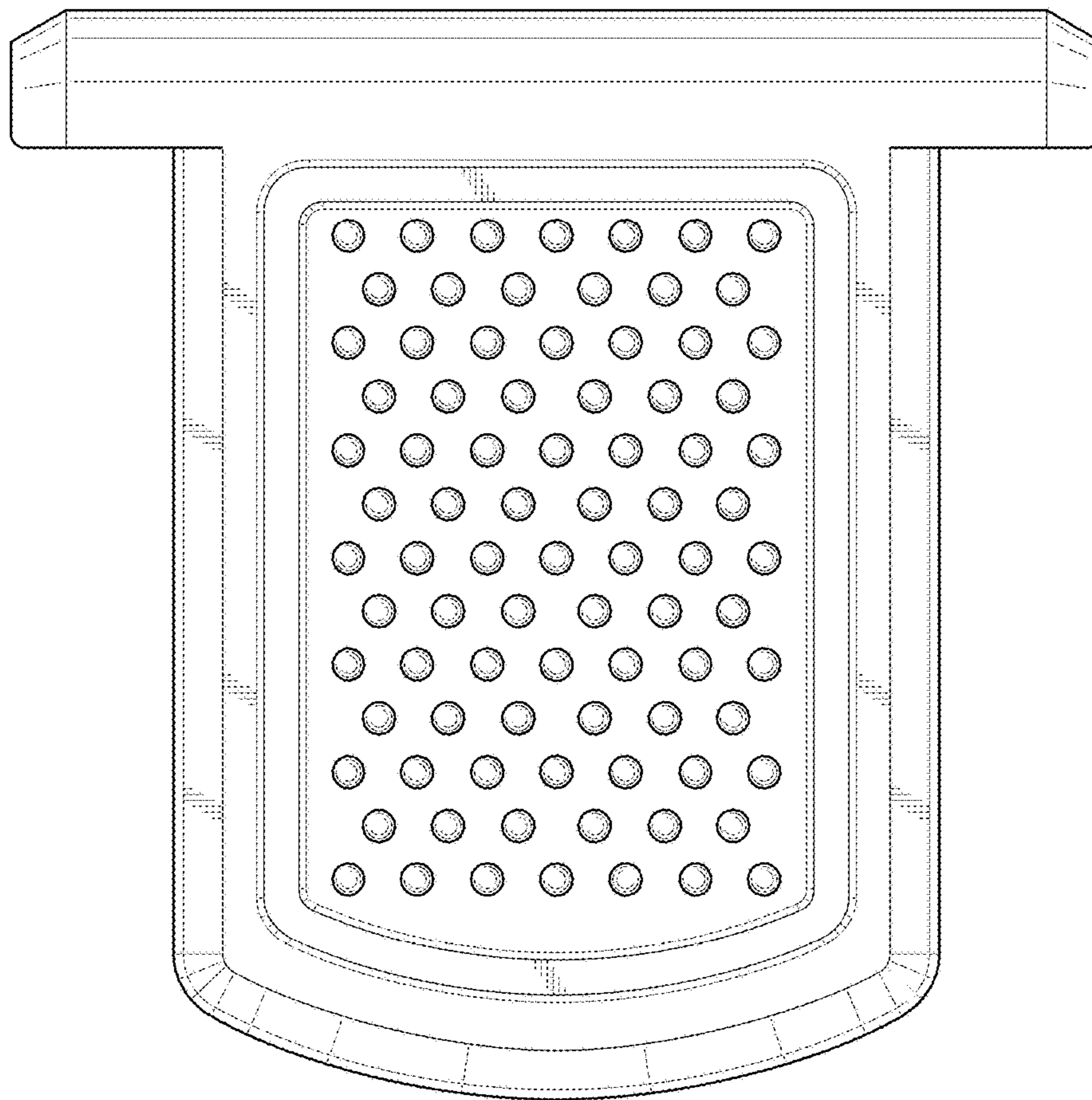


FIG. 4

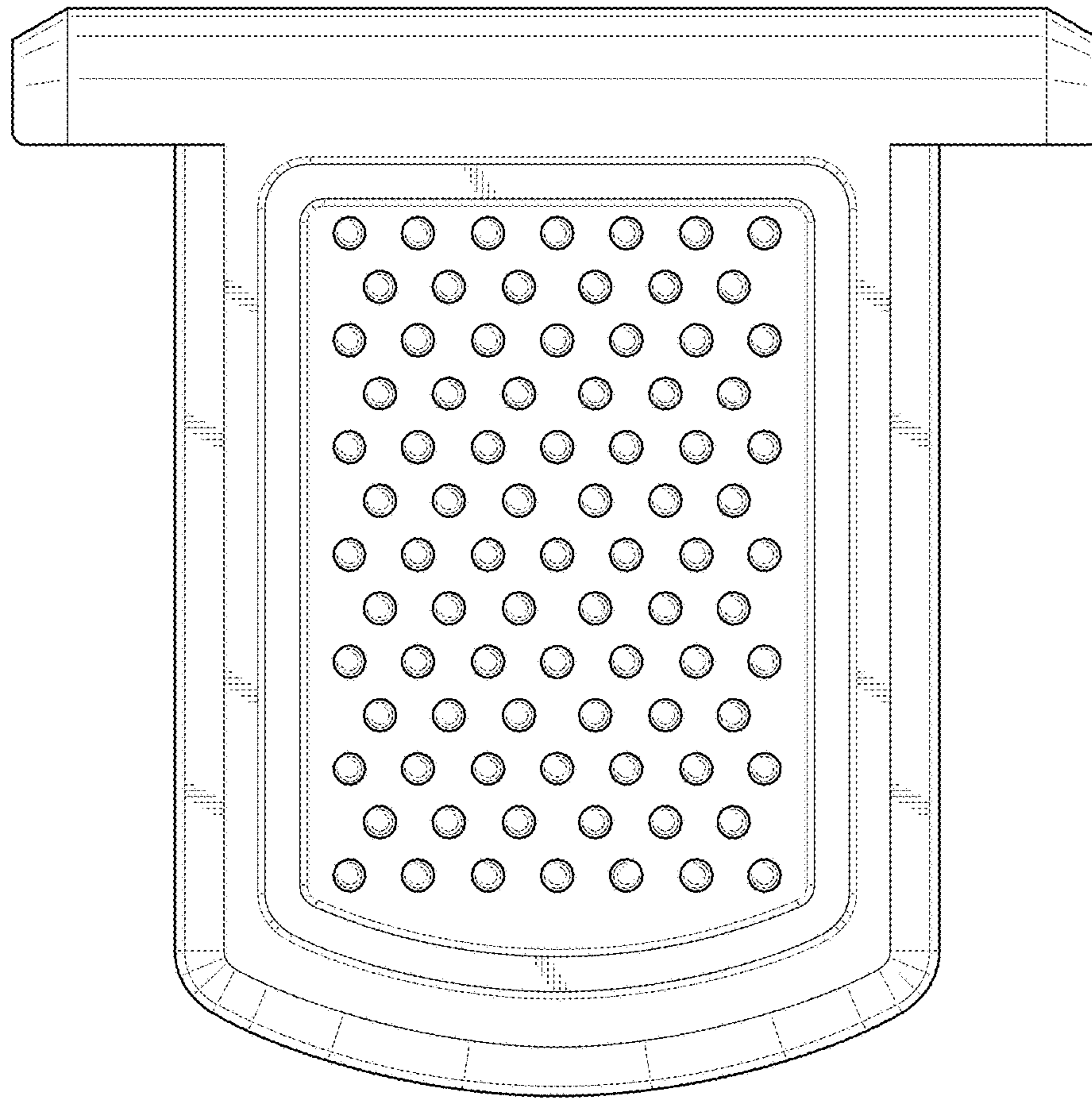


FIG. 5

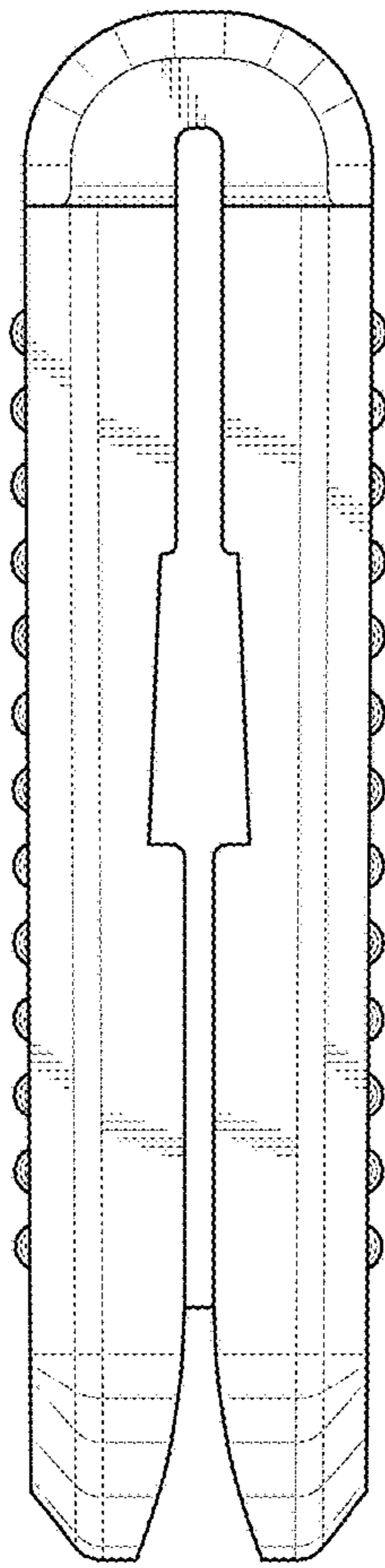


FIG. 6

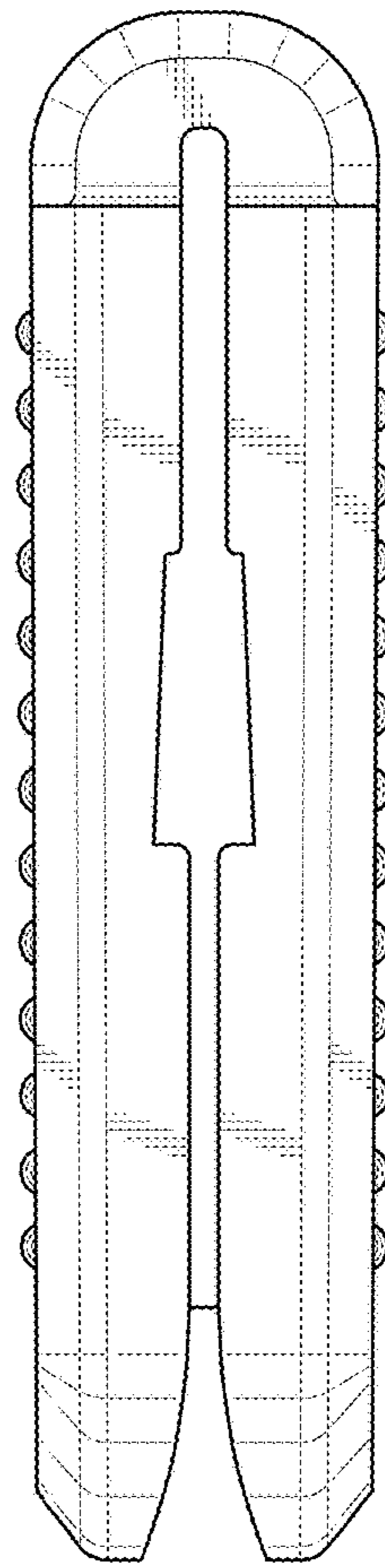


FIG. 7

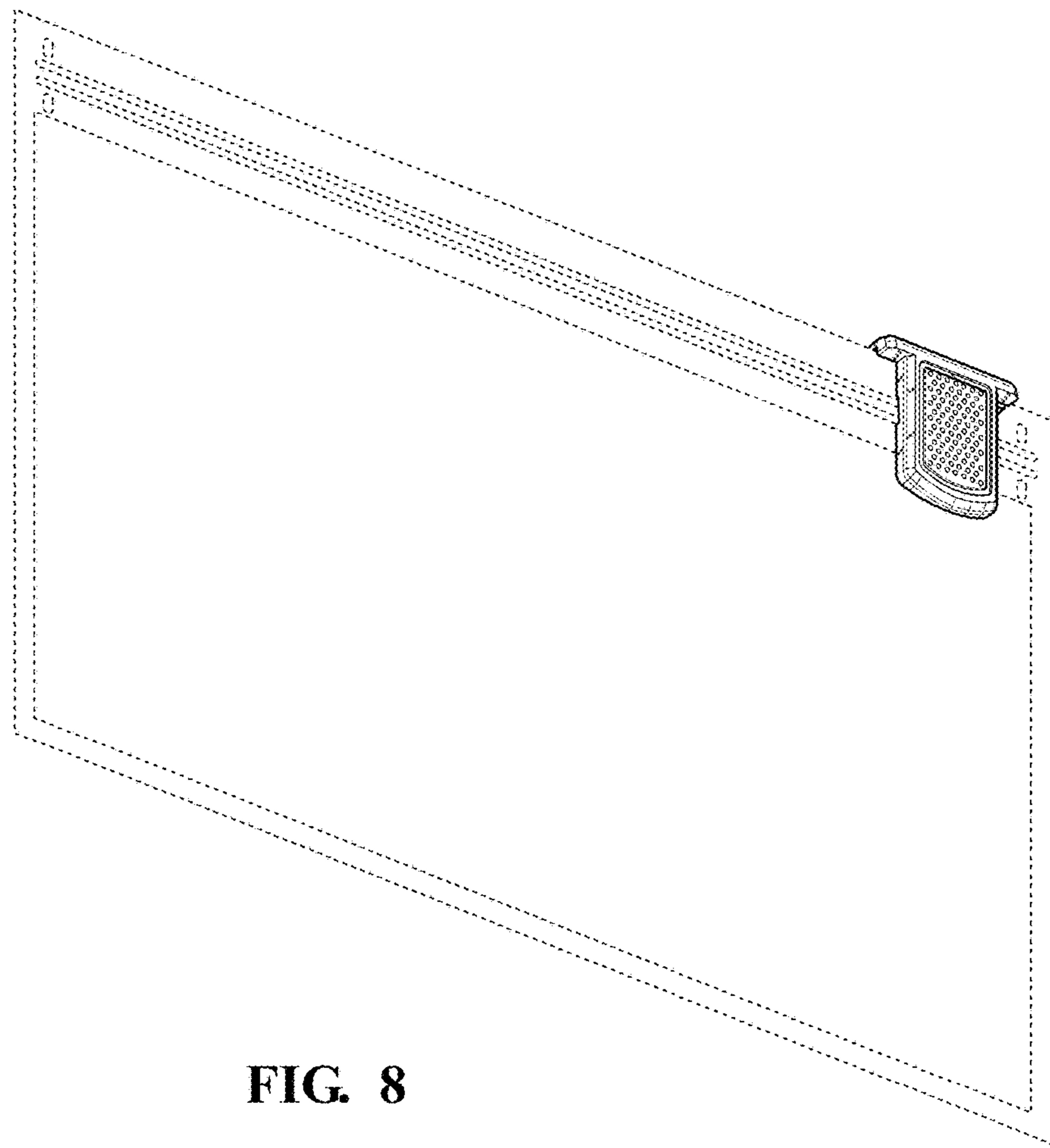


FIG. 8