



US00D845760S

(12) **United States Design Patent** (10) **Patent No.:** **US D845,760 S**  
**Oliveira** (45) **Date of Patent:** **\*\* Apr. 16, 2019**

(54) **CARTON**

(71) Applicant: **Graphic Packaging International, Inc.**, Atlanta, GA (US)  
(72) Inventor: **Steven M. Oliveira**, Canton, GA (US)  
(73) Assignee: **Graphic Packaging International, LLC**, Atlanta, GA (US)  
(\*\*) Term: **15 Years**

(21) Appl. No.: **29/610,864**  
(22) Filed: **Jul. 17, 2017**  
(51) **LOC (11) Cl.** ..... **09-03**  
(52) **U.S. Cl.**  
USPC ..... **D9/432; D9/433**  
(58) **Field of Classification Search**  
USPC ..... D9/414-434, 442-445, 456, 457, 542, D9/563, 600, 614-624, 661-664, 648, D9/655, 657, 658, 685, 696, 697-699, D9/707, 711, 754, 759, 772-776; D3/273, 276, 304, 309-313; D7/601, D7/602, 709  
CPC ..... B65D 5/00; B65D 5/001; B65D 5/0015; B65D 5/0227-5/0254; B65D 5/18; B65D 5/38; B65D 5/40; B65D 5/2033; B65D 1/22; B65D 1/24; B65D 1/34; B65B 5/06  
See application file for complete search history.

(56) **References Cited**

**U.S. PATENT DOCUMENTS**

D115,651 S 7/1939 Ford et al.  
D120,673 S 5/1940 Jung  
(Continued)

**FOREIGN PATENT DOCUMENTS**

DE 3641485 A1 6/1998  
EP 0 611 702 A1 8/1994  
(Continued)

**OTHER PUBLICATIONS**

Bakery Food Box Mock-up. Online, published date unknown. Retrieved on Sep. 5, 2018 from URL: <https://creativemarket.com/Joiaico/917577-Takeaway-Party-Food-Box>.\*  
(Continued)

*Primary Examiner* — Karen S Acker  
*Assistant Examiner* — Omeed Agilee  
(74) *Attorney, Agent, or Firm* — Womble Bond Dickinson (US) LLP

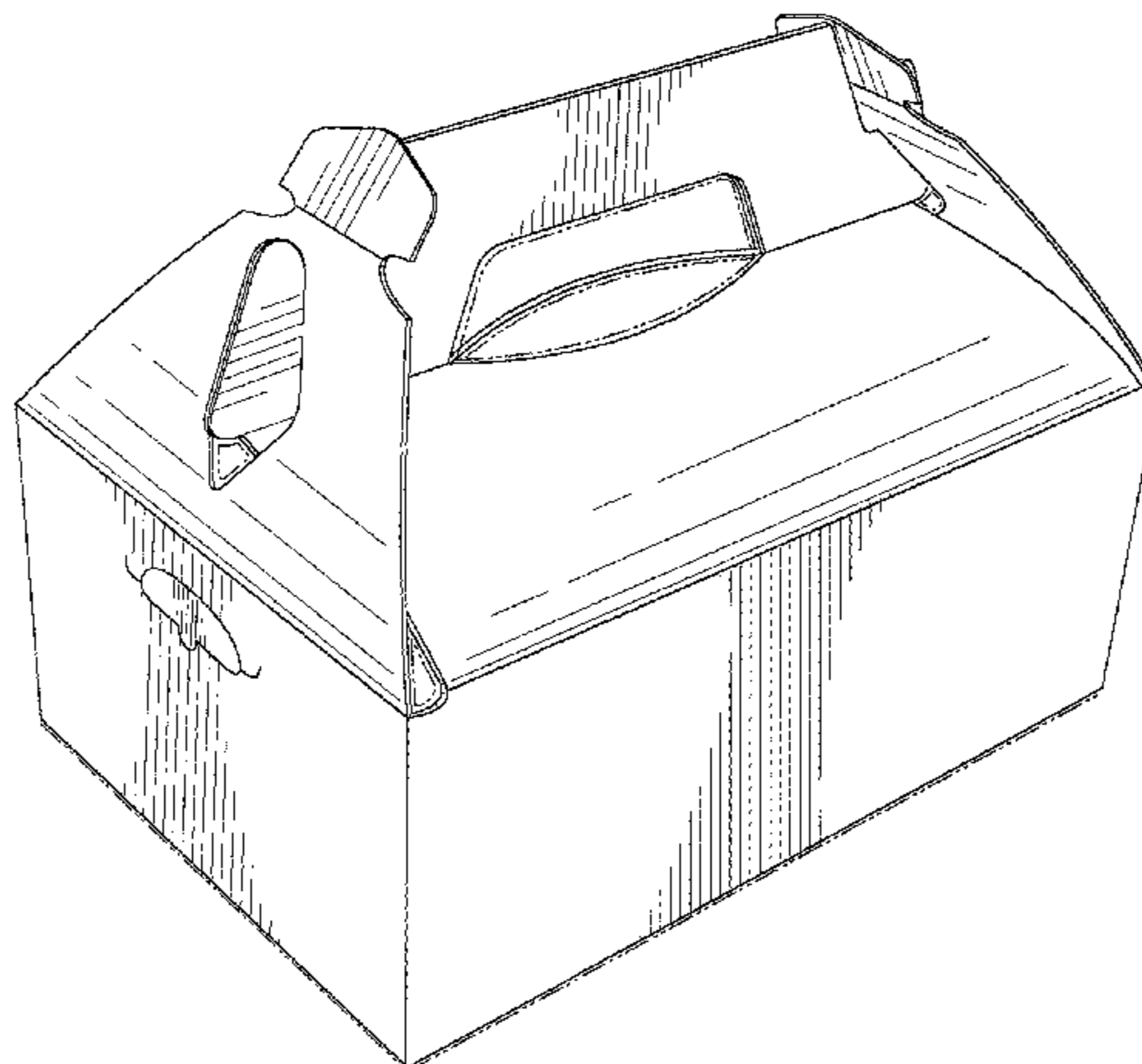
(57) **CLAIM**

The ornamental design for a carton, as shown and described.

**DESCRIPTION**

FIG. 1 is a perspective view of a carton according to a first embodiment of the disclosure.  
FIG. 2 is a front elevation view of the carton of FIG. 1, the rear elevation view is identical.  
FIG. 3 is a left elevation view of the carton of FIG. 1, the right elevation view is identical.  
FIG. 4 is a top plan view of the carton of FIG. 1.  
FIG. 5 is a bottom plan view of the carton of FIG. 1.  
FIG. 6 is a plan view of the carton of FIG. 1 shown in an alternate, unfolded configuration.  
FIG. 7 is a perspective view of a carton according to a second embodiment of the disclosure.  
FIG. 8 is a front elevation view of the carton of FIG. 7, the rear elevation view is identical.  
FIG. 9 is a left elevation view of the carton of FIG. 7, the right elevation view is identical.  
FIG. 10 is a top plan view of the carton of FIG. 7.  
FIG. 11 is a bottom plan view of the carton of FIG. 7; and, FIG. 12 is a plan view of the carton of FIG. 7 shown in an alternate, unfolded configuration.  
The dash-dot-dot-dash broken lines shown adjacent the shaded regions depict the boundaries of the claim and form no part thereof. All uniformly-spaced broken lines depict environmental subject matter that forms no part of the claimed design.

**1 Claim, 12 Drawing Sheets**



(56)

References Cited

U.S. PATENT DOCUMENTS

2,348,378 A 5/1944 Goodyear  
 2,586,301 A 2/1952 Castle  
 3,013,710 A 12/1961 Kronson et al.  
 3,150,769 A \* 9/1964 Cohn ..... B65D 85/04  
 220/642  
 3,257,027 A 6/1966 Weiss  
 3,640,380 A 2/1972 Huffman  
 D242,901 S 1/1977 Lohrbach  
 4,007,869 A 2/1977 Stolkin et al.  
 4,185,765 A 1/1980 McLaren  
 4,230,261 A 10/1980 Austin  
 4,397,393 A 8/1983 Pergande et al.  
 4,471,094 A 9/1984 Cassidy  
 4,498,585 A 2/1985 Gordon et al.  
 4,530,459 A 7/1985 Maroszek  
 4,535,928 A 8/1985 Capo  
 4,548,352 A 10/1985 Capo et al.  
 4,580,718 A 4/1986 Muise  
 4,601,390 A 7/1986 Rosenthal et al.  
 4,721,243 A 1/1988 Mercurio  
 4,782,788 A 11/1988 Arcand  
 4,969,596 A 11/1990 Schulbaum  
 5,020,337 A 6/1991 Krieg  
 D319,388 S 8/1991 McIntosh, Jr. et al.  
 5,042,715 A 8/1991 McNeill  
 5,060,850 A 10/1991 Weaver  
 5,240,174 A 8/1993 Wenninger  
 5,275,331 A 1/1994 Chung-Piao  
 5,299,734 A 4/1994 Lane  
 5,392,984 A 2/1995 Yocum  
 5,400,901 A 3/1995 Harrelson  
 5,413,273 A 5/1995 Money  
 5,423,478 A 6/1995 Roosa  
 5,458,270 A 10/1995 Tsao  
 5,520,284 A 5/1996 Gray  
 5,524,814 A 6/1996 Davis  
 D371,965 S 7/1996 Kinni  
 D373,079 S 8/1996 Fahlen  
 5,551,556 A 9/1996 Sutherland  
 5,595,291 A 1/1997 Negelen  
 5,620,134 A 4/1997 Gulliver  
 D386,680 S 11/1997 Johnson  
 5,685,478 A 11/1997 Tang  
 D396,805 S 8/1998 Broyles  
 5,853,121 A 12/1998 Francisco  
 5,927,593 A 7/1999 Berkowitz et al.  
 D418,751 S 1/2000 Wolf  
 6,036,085 A 3/2000 Tsao  
 6,108,982 A 8/2000 Davison  
 6,116,421 A 9/2000 Collins

6,189,687 B1 2/2001 Bakx  
 6,189,776 B1 2/2001 Smith et al.  
 D442,859 S \* 5/2001 Hirschey ..... D9/418  
 6,290,123 B1 9/2001 Pei  
 6,439,452 B1 8/2002 Tsao  
 D464,878 S 10/2002 Thompson  
 6,530,516 B1 3/2003 Ritter  
 6,581,823 B1 6/2003 De Beck  
 D488,062 S 4/2004 Shannon  
 D497,309 S \* 10/2004 Nordland ..... D9/415  
 6,837,420 B2 1/2005 Westerman et al.  
 D525,866 S 8/2006 Goodwin  
 7,328,814 B2 \* 2/2008 Nordland ..... B65D 1/22  
 220/756  
 D567,671 S \* 4/2008 Say Ulin ..... D9/753  
 D576,482 S \* 9/2008 DeBusk ..... D9/416  
 7,617,969 B2 11/2009 Oliveira  
 D640,128 S \* 6/2011 Harshman ..... D9/418  
 D674,690 S \* 1/2013 Sill ..... D9/431  
 D675,520 S \* 2/2013 Sill ..... D9/431  
 D679,178 S \* 4/2013 Villiers ..... D9/420  
 D693,216 S \* 11/2013 Sill ..... D9/418  
 D693,677 S \* 11/2013 Pearson ..... D9/431  
 D758,184 S \* 6/2016 Tu ..... D9/432  
 D760,446 S \* 6/2016 Katers ..... D30/109  
 D798,142 S \* 9/2017 Falcon ..... D9/418  
 2001/0004088 A1 6/2001 Lau  
 2002/0070268 A1 6/2002 Schultz  
 2003/0111521 A1 6/2003 Holmes  
 2003/0213705 A1 11/2003 Woog  
 2004/0031842 A1 2/2004 Westerman et al.  
 2005/0023331 A1 2/2005 Hirschey  
 2006/0091190 A1 5/2006 Nikolai  
 2007/0000980 A1 1/2007 Nashua  
 2016/0039559 A1 \* 2/2016 Williams ..... B65D 5/001  
 229/151

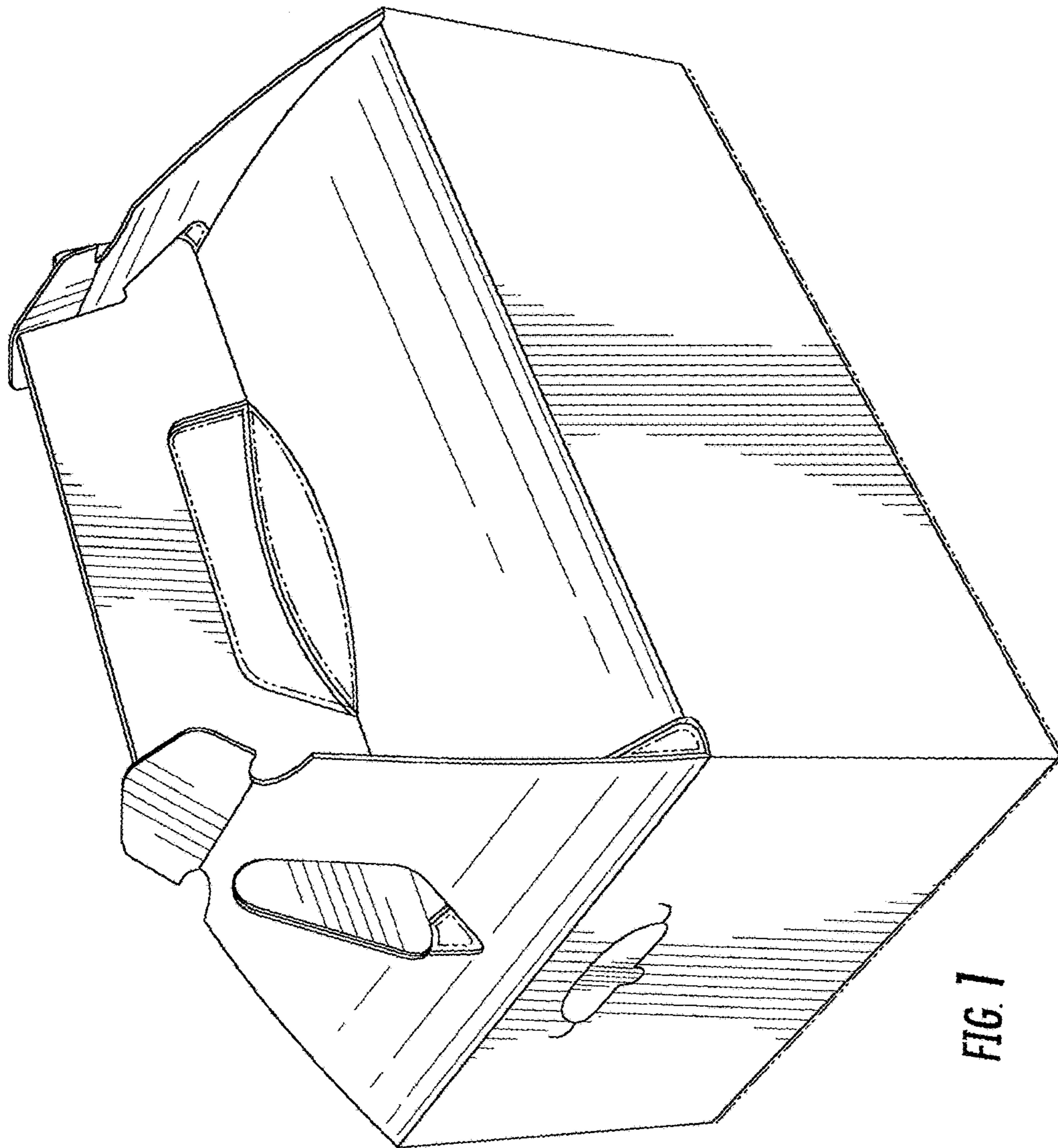
FOREIGN PATENT DOCUMENTS

EP 0 639 504 A1 2/1995  
 GB 889718 2/1962  
 KR 3020100001674 \* 11/2010  
 SE 140 388 5/1953

OTHER PUBLICATIONS

Steeman, Anton, "Innovations in Food Take-Out Packaging," <https://bestinpackaging.com/2012/03/13/innovations-in-food-take-out-packaging/>, Mar. 13, 2012, 12 pages.  
 International Search Report and Written Opinion for PCT/US2018/042246 dated Nov. 29, 2018.

\* cited by examiner



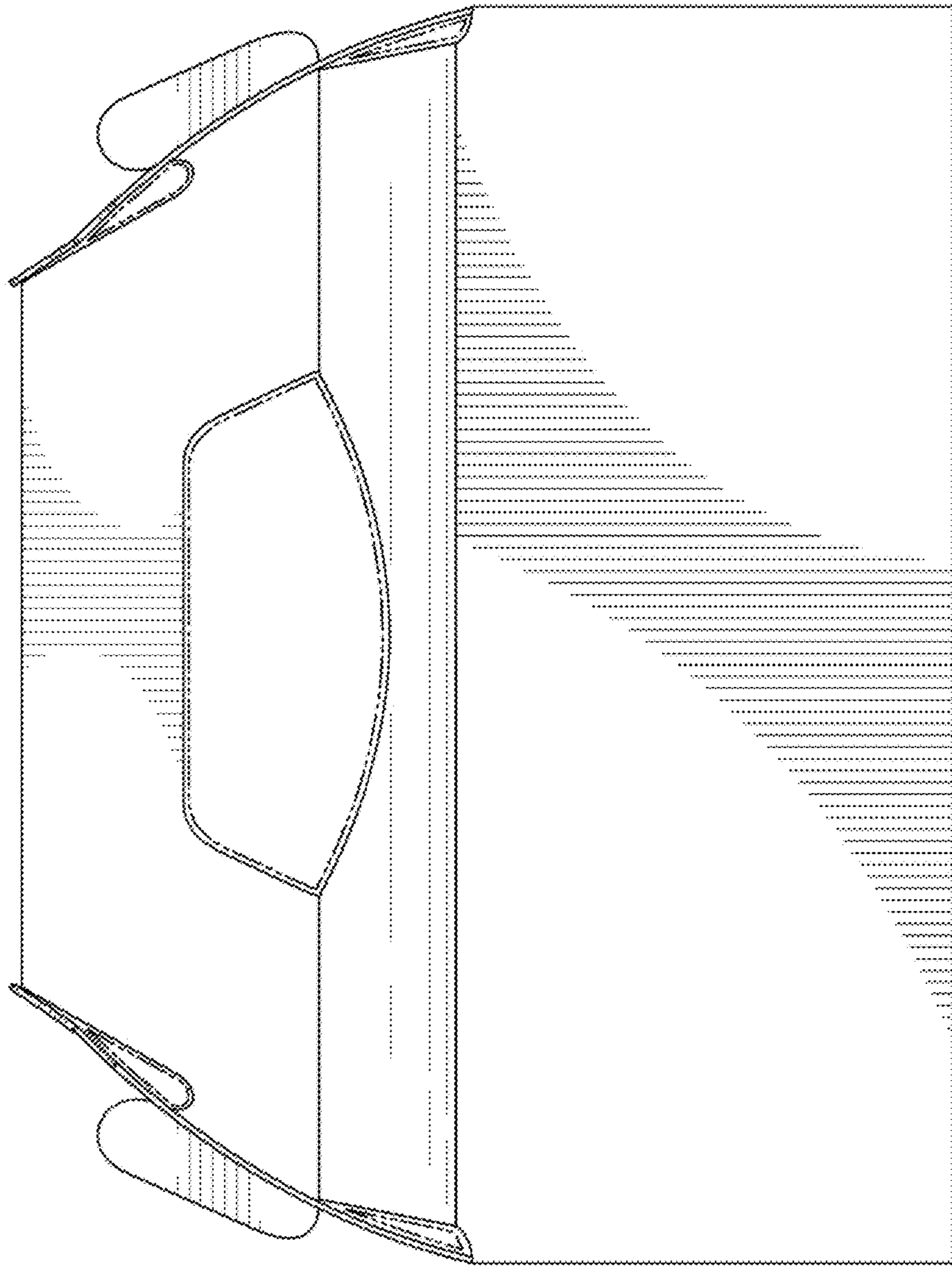


FIG. 2

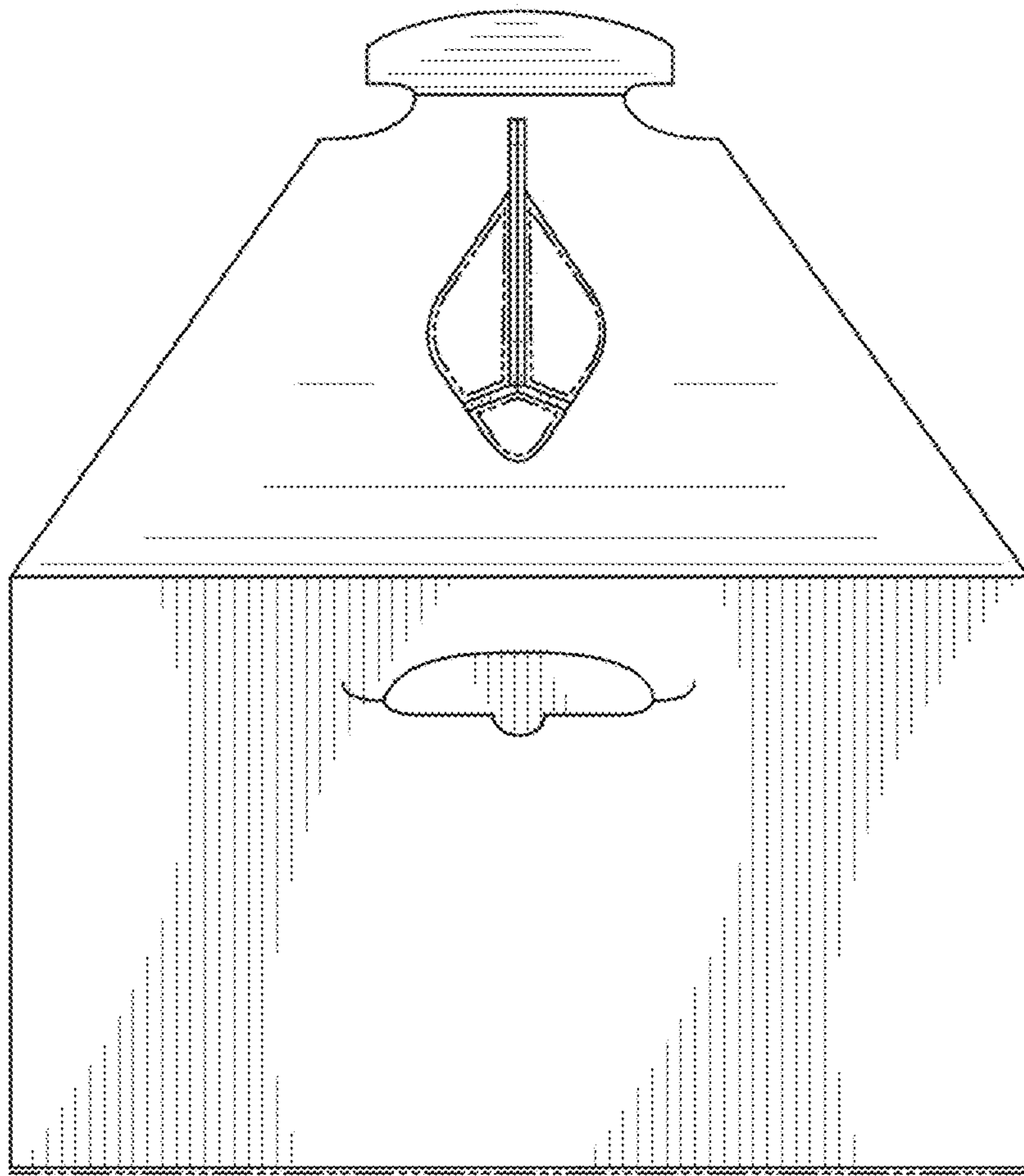


FIG. 3

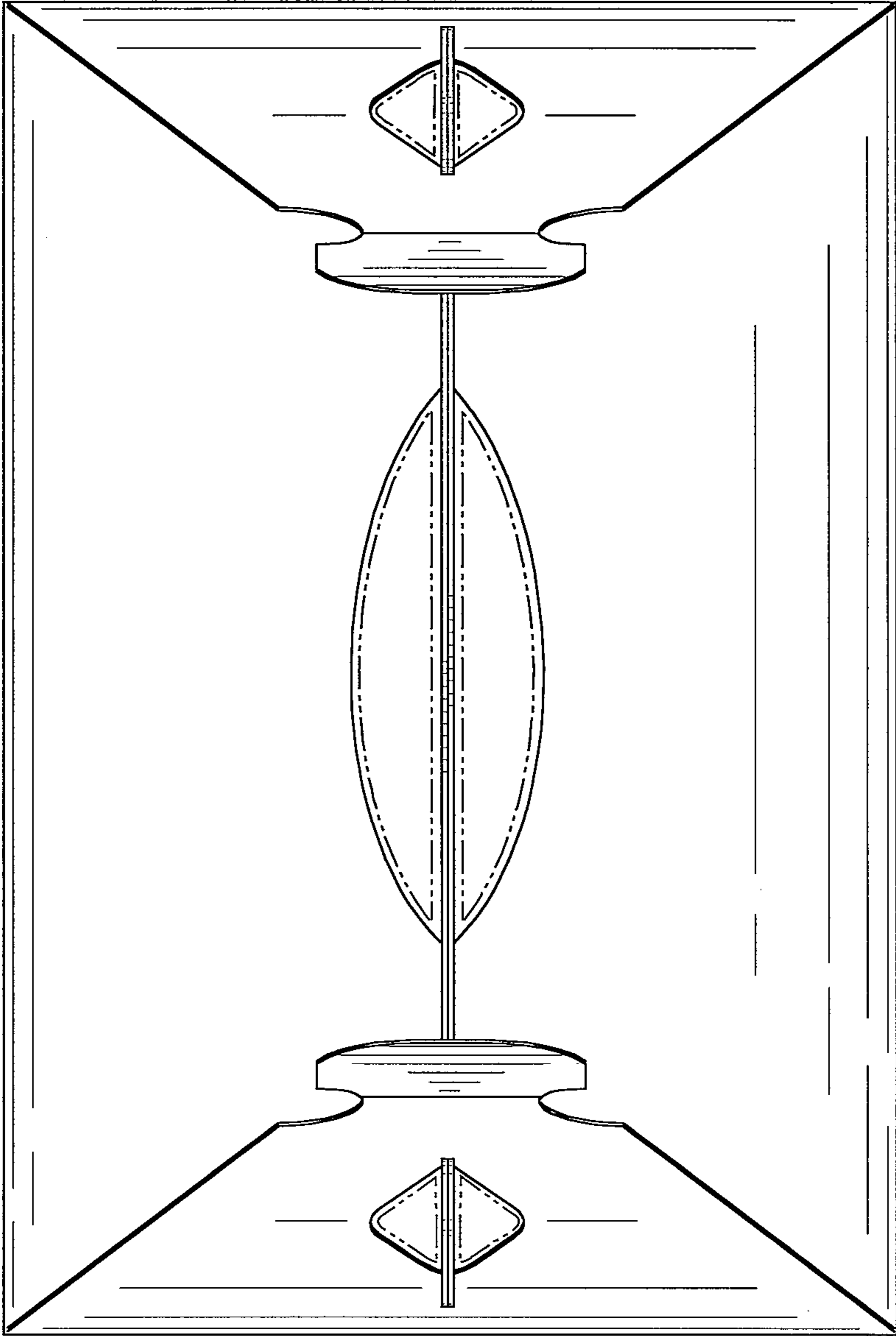


FIG. 4

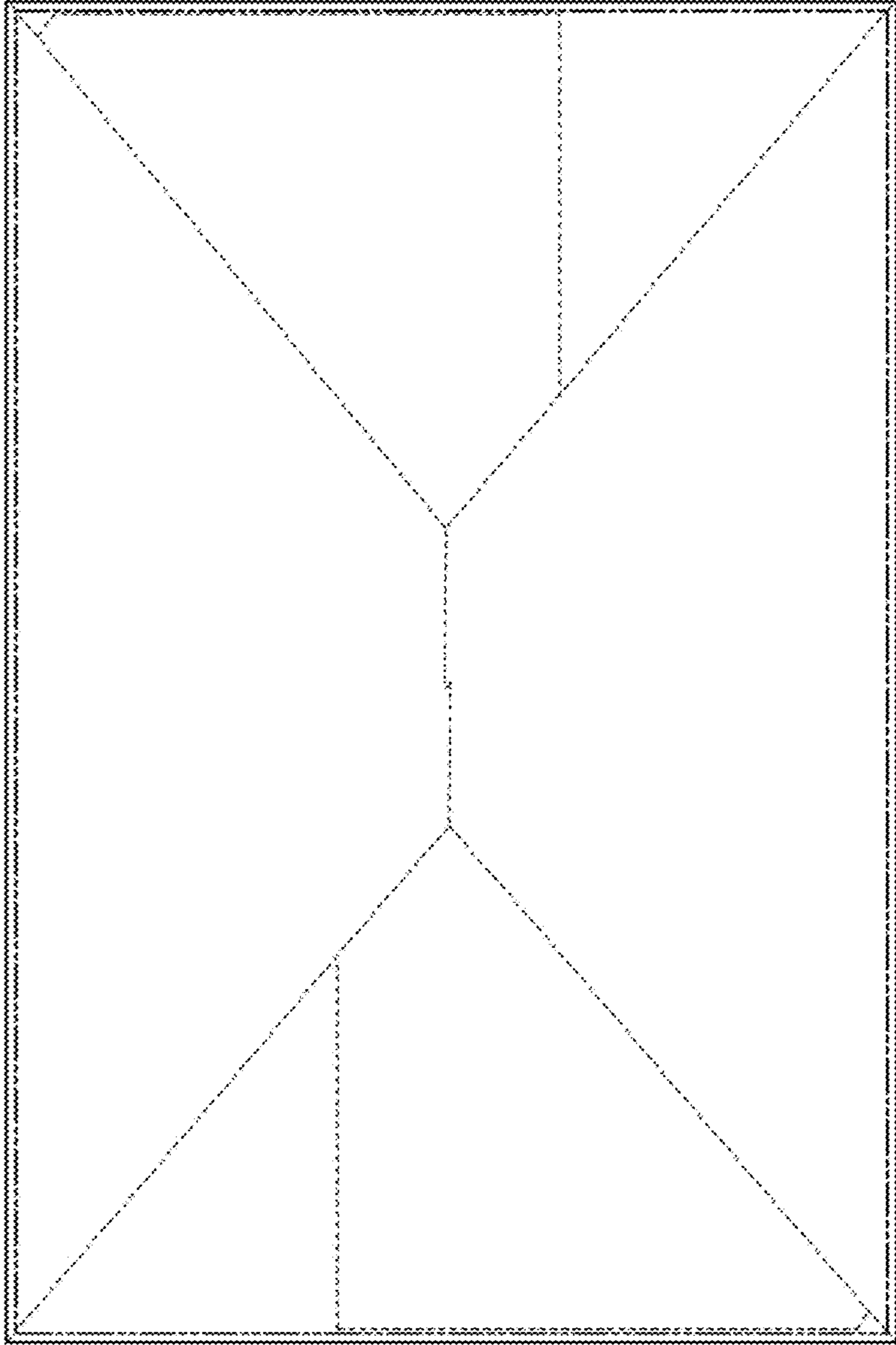


FIG. 5

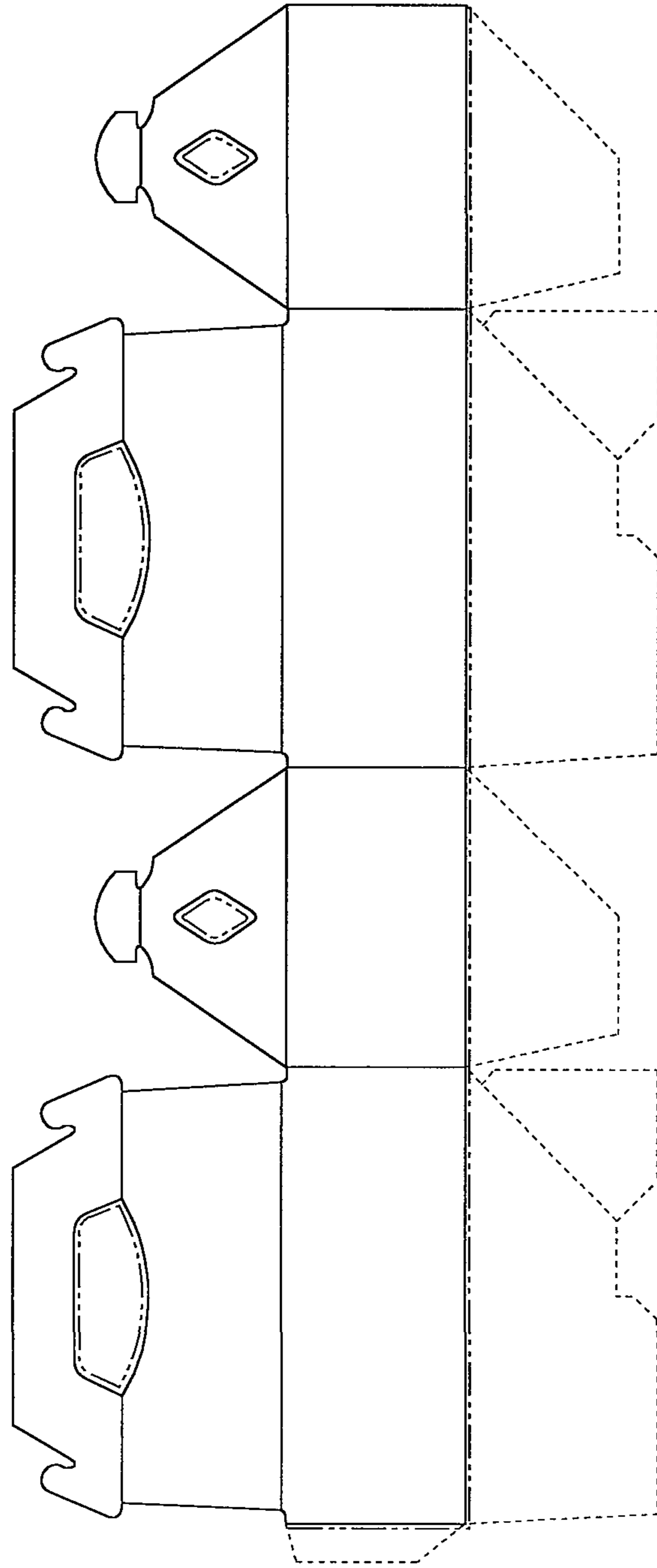
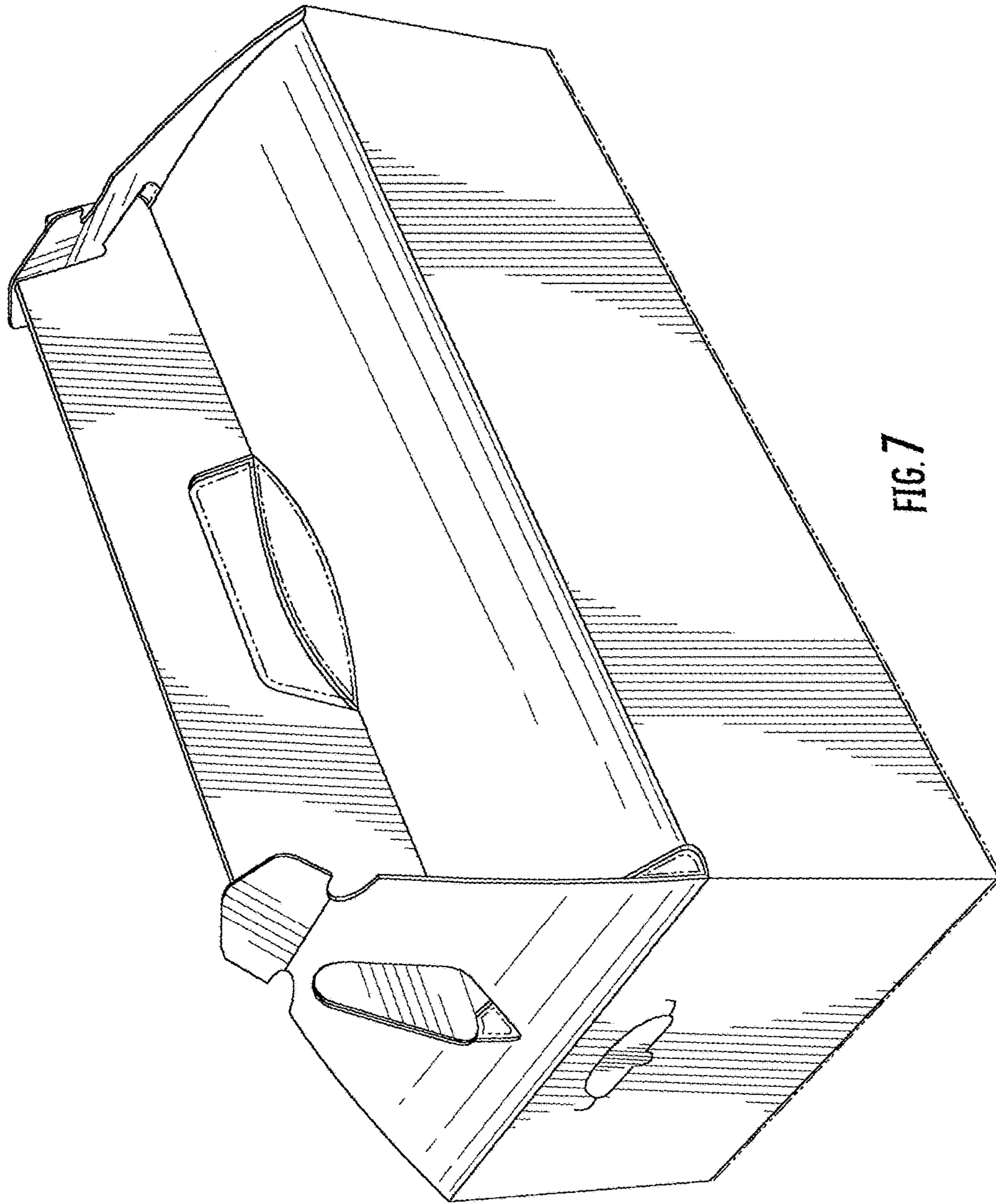


FIG. 6





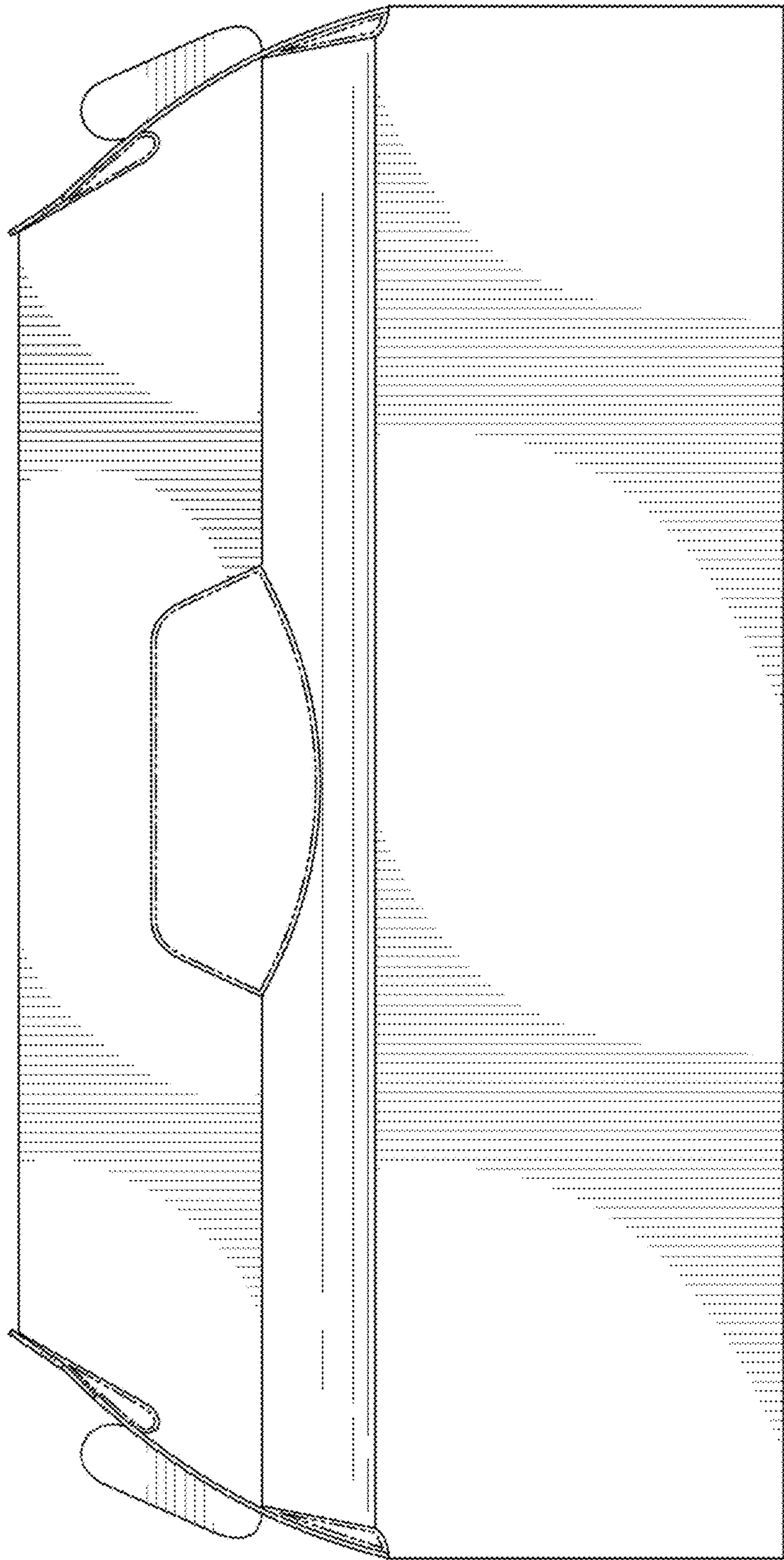


FIG. 8

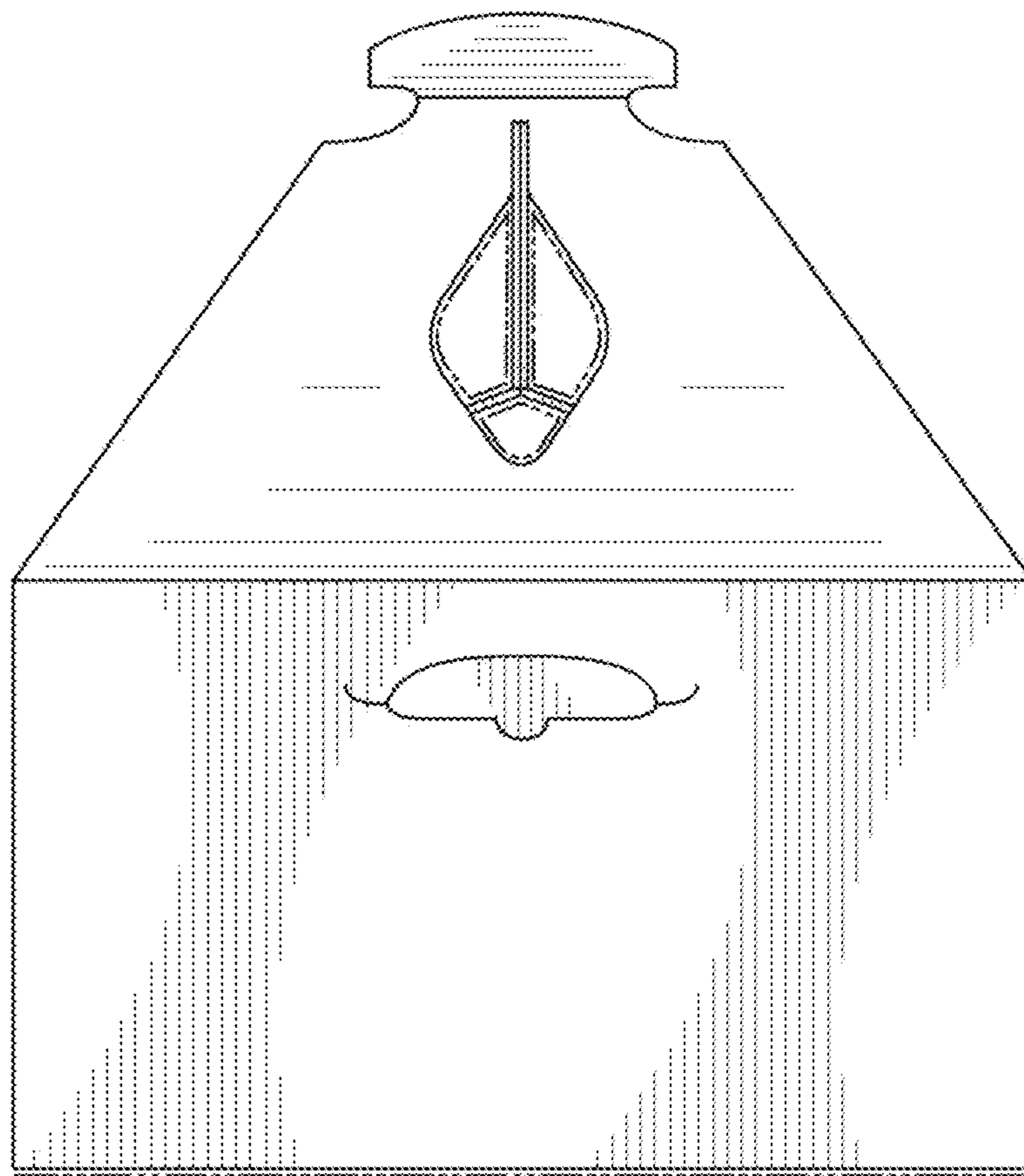


FIG. 9

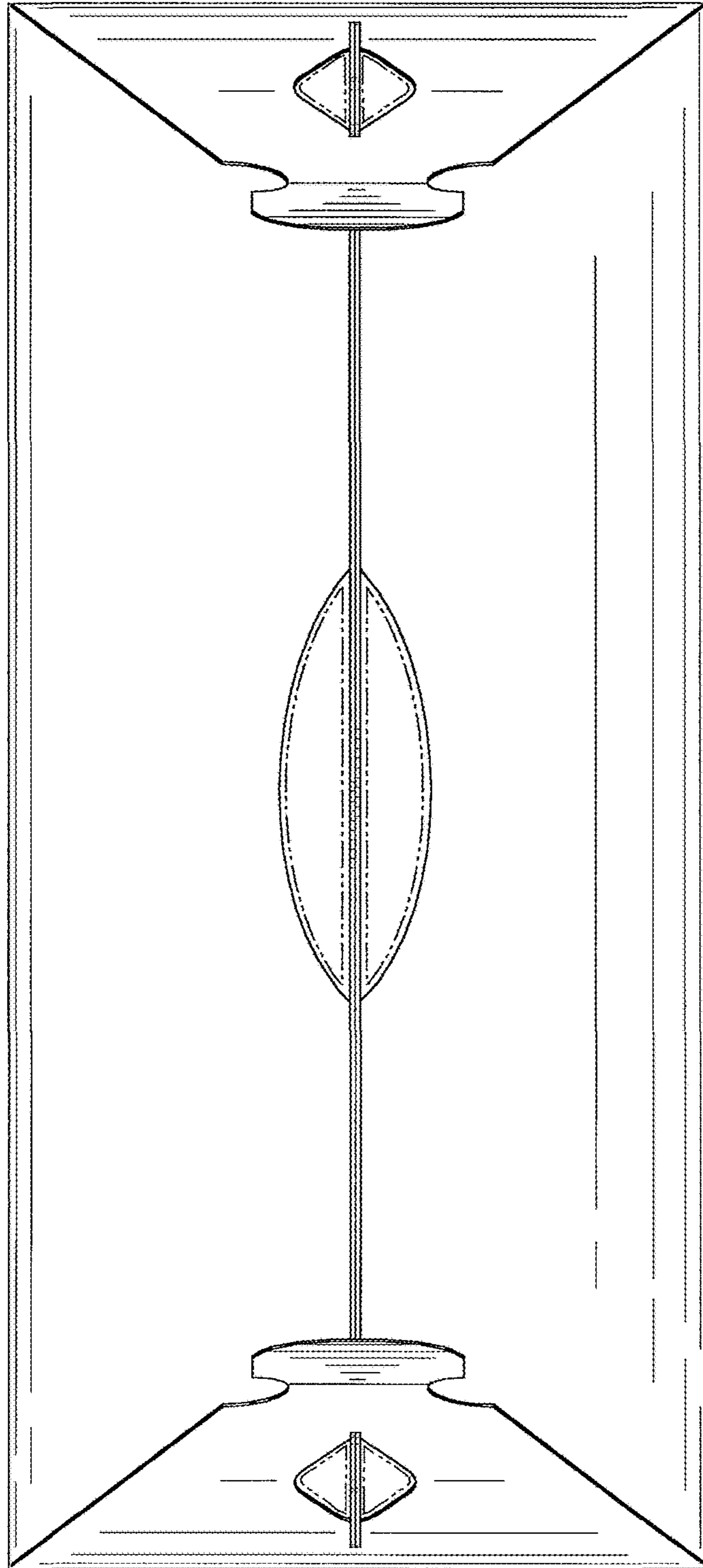


FIG. 10

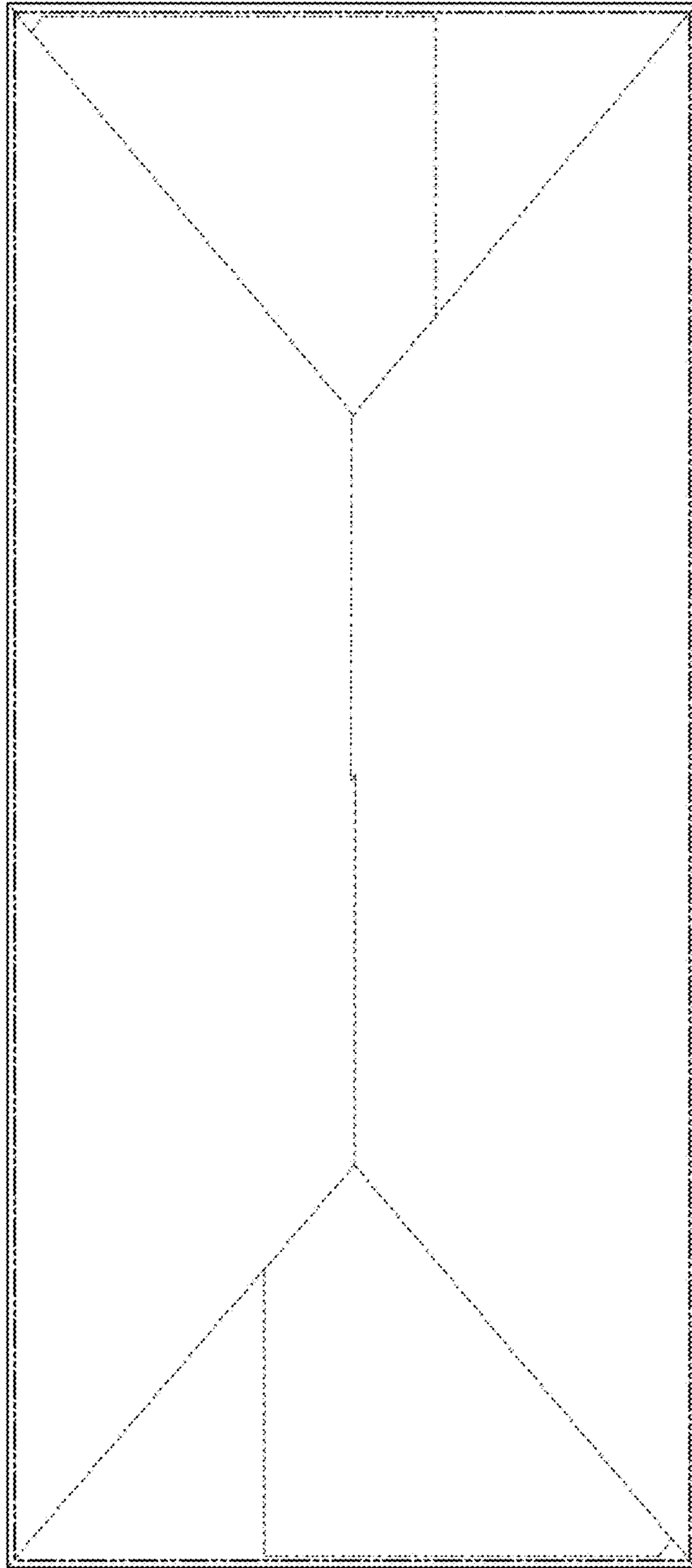


FIG. 11

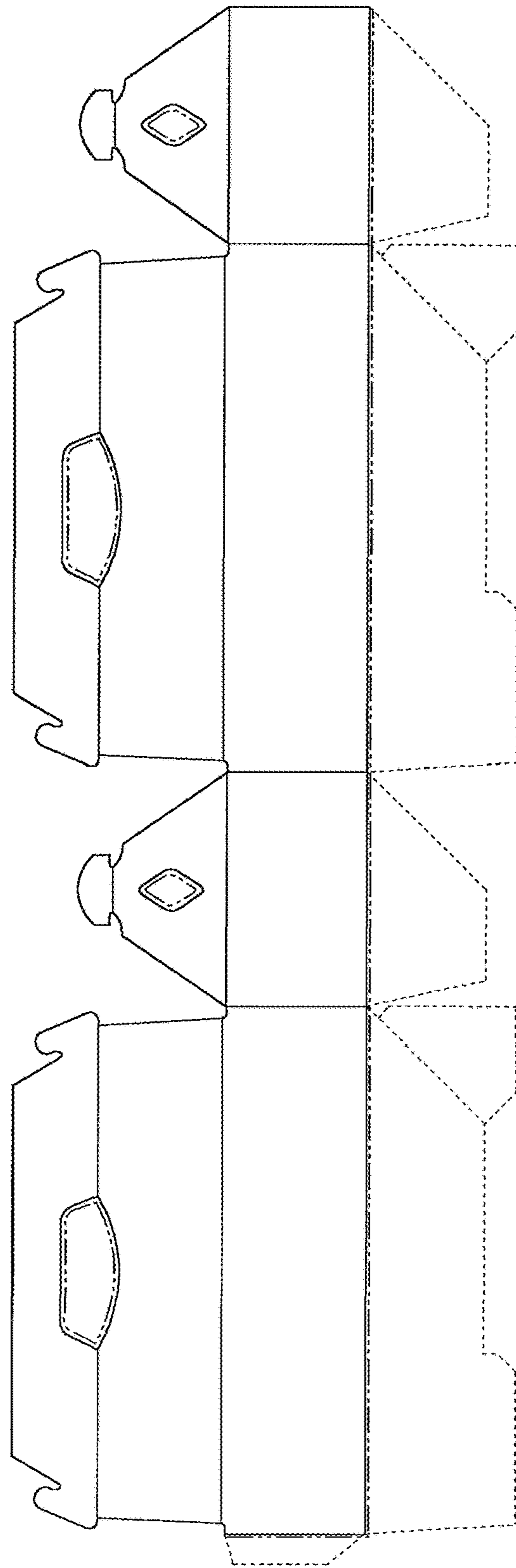


FIG. 12