



US00D845758S

(12) **United States Design Patent** (10) **Patent No.:** **US D845,758 S**
Van Wingerden (45) **Date of Patent:** **** Apr. 16, 2019**

(54) **PRODUCE BOWL**
(71) Applicant: **Johannes Cornelious Van Wingerden**,
Stevensburg, VA (US)
(72) Inventor: **Johannes Cornelious Van Wingerden**,
Stevensburg, VA (US)

D102,968 S 1/1937 Farber
2,090,325 A 8/1937 Deubel
2,164,060 A 6/1939 Gerner
2,205,303 A 6/1940 Munsell
2,231,749 A 2/1941 Damerell
(Continued)

(**) Term: **15 Years**
(21) Appl. No.: **29/640,003**
(22) Filed: **Mar. 11, 2018**

FOREIGN PATENT DOCUMENTS

DE 4020116101516-0001 4/2017
EM 001257786-0001 2/2011
(Continued)

OTHER PUBLICATIONS

“International Search Report and Written Opinion Issued in PCT Application No. PCT/US2017/044031”, dated Apr. 20, 2018, 14 Pages.
(Continued)

Related U.S. Application Data

(62) Division of application No. 29/596,709, filed on Mar. 10, 2017, now Pat. No. Des. 821,194.
(51) **LOC (11) Cl.** **09-03**
(52) **U.S. Cl.**
USPC **D9/429**
(58) **Field of Classification Search**
USPC D7/396.1, 538–542, 602, 608, 629;
D9/414, 424–429, 432, 761; 206/499,
206/508, 557; 220/23.4, 23.6, 315, 500,
220/659, 669, 674, 675, 696, 752, 760,
220/790, 793; 229/105, 117.09, 117.26,
229/189, 406, 407, 902, 905
CPC ... B65D 1/34; B65D 1/36; B65D 1/40; B65D
25/04; B65D 43/00; B65D 43/02; B65D
81/34; B65D 81/3446; B65D 2543/00;
B65D 2581/34
See application file for complete search history.

Primary Examiner — Derrick E Holland
Assistant Examiner — Janice Patyk
(74) *Attorney, Agent, or Firm* — Ali Sharifzadeh

(57) **CLAIM**

The ornamental design for a produce bowl, as shown and described.

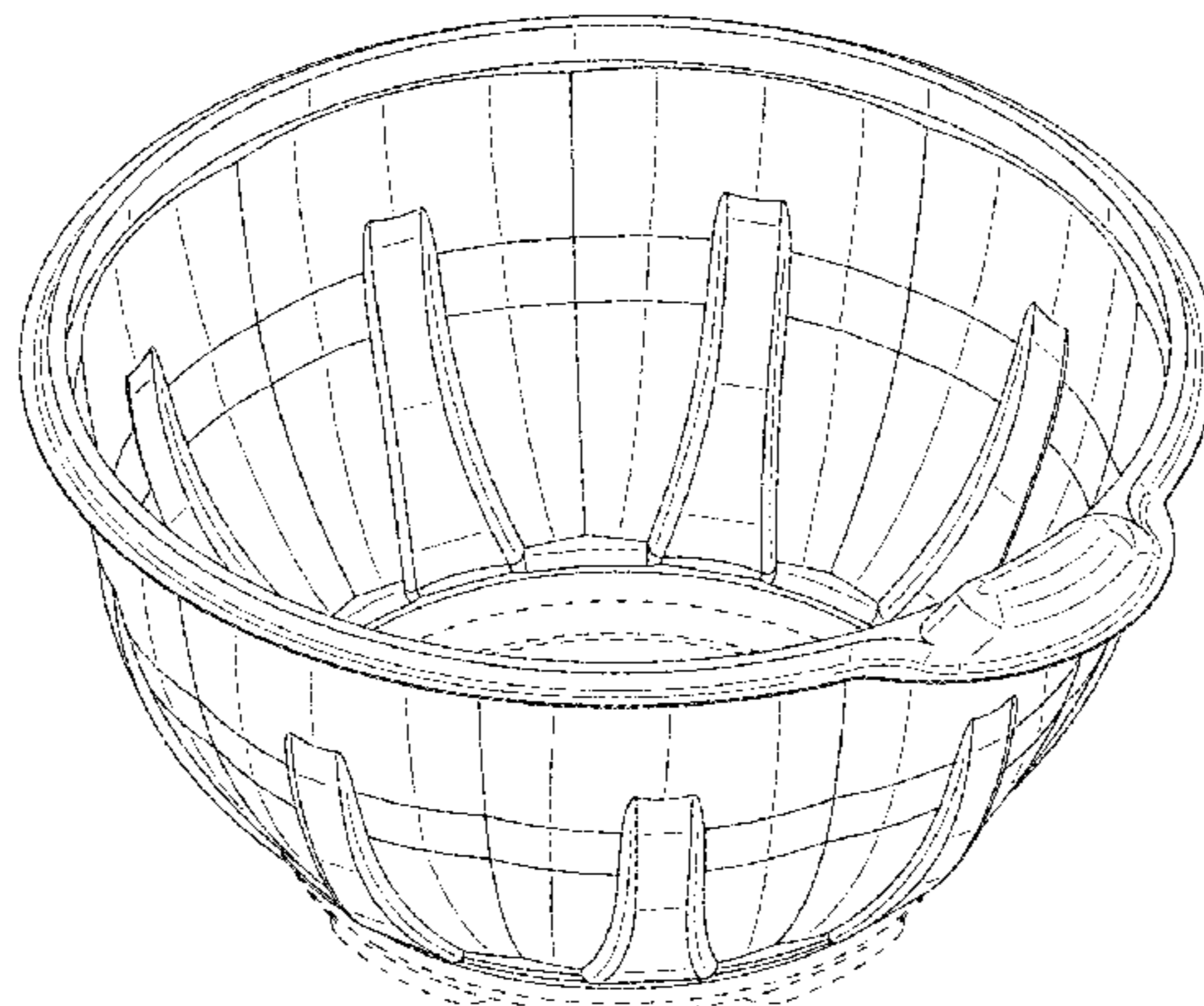
DESCRIPTION

FIG. 1 is a perspective view of a produce bowl, showing our new design;
FIG. 2 is a perspective view thereof;
FIG. 3 is a right side view thereof, the left side view being a mirror image thereof;
FIG. 4 is a back view thereof, the front view being a mirror image thereof;
FIG. 5 is a top view thereof; and,
FIG. 6 is a bottom view thereof.
The broken lines in the figures show portions of the produce bowl that form no part of the claimed design.

(56) **References Cited**
U.S. PATENT DOCUMENTS

D24,929 S 11/1895 Nichols
D32,585 S 4/1900 Pessano
1,601,259 A 9/1926 Pettigrew
1,690,910 A 11/1928 Shapiro
1,778,150 A 10/1930 Sture
D82,957 S 12/1930 Rachlin

1 Claim, 6 Drawing Sheets



(56)

References Cited

U.S. PATENT DOCUMENTS

RE21,820 E	6/1941	Munsell	D395,822 S *	7/1998	Keal	D7/602
2,276,376 A	3/1942	Deubel	5,806,241 A	9/1998	Byland et al.	
2,312,582 A	3/1943	Patrick	5,826,375 A	10/1998	Black	
2,548,910 A	4/1951	Rylander	5,911,659 A	6/1999	Serano	
2,639,549 A	5/1953	Wubben et al.	5,930,951 A	8/1999	Wong	
2,747,331 A	5/1956	Steiner	D414,413 S *	9/1999	Brown	D9/425
2,770,957 A	11/1956	Bronson	6,070,360 A	6/2000	Liao et al.	
2,791,273 A	5/1957	Brownell	6,138,411 A	10/2000	Lin	
D187,184 S	2/1960	Tangney	6,161,332 A	12/2000	Avot	
3,199,250 A	8/1965	Sawyer	6,233,870 B1	5/2001	Horibata	
3,288,340 A	11/1966	Shapiro et al.	D446,157 S	8/2001	Glenn	
3,300,895 A	1/1967	Dosedla et al.	D448,862 S	10/2001	Kieffer	
D217,247 S	4/1970	Brown	6,298,600 B1	10/2001	Feldman	
3,581,880 A	6/1971	Iversen	6,336,292 B1	1/2002	Boxsell	
3,650,521 A	3/1972	Meli	D454,180 S	3/2002	Wessels	
3,717,953 A	2/1973	Kuhn et al.	D468,812 S	1/2003	Doyle et al.	
3,766,684 A	10/1973	Kato	6,526,693 B2	3/2003	Cochran	
3,826,349 A	7/1974	Stevenson	6,574,917 B2	6/2003	Boxsell	
3,850,287 A	11/1974	Petro	D483,443 S	12/2003	Forsberg	
3,879,889 A	4/1975	Schmid	D489,209 S	5/2004	Goldberg	
3,911,632 A	10/1975	Bryfogle et al.	6,814,250 B1	11/2004	Madsen	
3,913,758 A	10/1975	Faircloth et al.	D507,204 S	7/2005	Chang	
3,965,616 A	6/1976	Ridgeway	6,928,772 B2	8/2005	Bai et al.	
3,975,860 A	8/1976	Harned et al.	6,948,349 B2	9/2005	Gorski et al.	
3,973,353 A	10/1976	Dedolph	6,964,128 B2	11/2005	Yasuda	
4,006,557 A	2/1977	Sawyer	D512,877 S	12/2005	Vovan	
4,028,847 A	6/1977	Davis et al.	7,000,351 B2	2/2006	Baumann	
4,035,950 A	7/1977	Anselm	7,076,921 B2	7/2006	Spradlin	
4,044,886 A	8/1977	Sender	7,171,781 B1	2/2007	Southern	
4,048,754 A	9/1977	Laux	7,171,783 B1	2/2007	Fidotti	
4,057,931 A	11/1977	Stutelberg et al.	D541,148 S	4/2007	Gross et al.	
4,118,891 A	10/1978	Kehl et al.	7,210,266 B2	5/2007	Henry et al.	
4,145,841 A	3/1979	Woolpert	7,263,781 B2	9/2007	Sielemann	
4,160,342 A	7/1979	Dryer	D552,218 S	10/2007	Alldredge	
4,166,341 A	9/1979	Vestergaard	7,340,863 B1	3/2008	Dressler	
4,179,846 A	12/1979	Carlisle	7,412,798 B2	8/2008	Boxsell	
4,198,784 A	4/1980	Sukert	7,506,472 B2	3/2009	Leyns et al.	
4,216,618 A	8/1980	Davis et al.	7,533,493 B2	5/2009	Brusatore	
4,236,353 A	12/1980	Sorenson	7,587,930 B2	9/2009	Leclerc et al.	
4,279,101 A	7/1981	Leroux	7,610,717 B2	11/2009	Luken et al.	
4,312,152 A	1/1982	Drury et al.	7,624,535 B2	12/2009	Schmidt	
4,315,382 A	2/1982	Kay et al.	D612,732 S *	3/2010	Takata	D9/428
D263,291 S	3/1982	Paton	7,690,150 B2	4/2010	Orschulik	
4,324,069 A	4/1982	Flagg	D614,994 S	5/2010	Dipaolo et al.	
4,407,092 A	10/1983	Ware	7,730,672 B2	6/2010	Knudson et al.	
4,476,651 A	10/1984	Drury	7,832,144 B2	11/2010	Corradi	
4,557,070 A	12/1985	Oyama	D628,443 S *	12/2010	McTaggart	D7/545
4,578,898 A	4/1986	Greenbaum	7,874,102 B2	1/2011	Hilbert	
4,604,837 A	8/1986	Beam	D631,683 S	2/2011	Ash et al.	
4,617,755 A	10/1986	Ikeda et al.	7,972,840 B2	7/2011	Hasegawa et al.	
4,715,144 A	12/1987	Lee	D666,524 S	9/2012	Aoyama	
4,837,973 A	6/1989	Snekkenes	D673,054 S	12/2012	Kim et al.	
4,932,158 A	6/1990	Roberts	D674,889 S	1/2013	Mims	
D311,589 S	10/1990	Benchimol et al.	D677,156 S	3/2013	Wu	
4,978,023 A	12/1990	Behlmann et al.	D684,857 S *	6/2013	Zhen	D9/429
4,989,365 A	2/1991	Roger	8,474,179 B2	7/2013	Jung	
5,010,686 A	4/1991	Rivest	D688,891 S	9/2013	Caruso	
5,048,434 A	9/1991	Forster et al.	8,549,788 B2	10/2013	Bryan, III	
5,117,581 A	6/1992	Green et al.	D694,586 S *	12/2013	Miller	D7/587
5,125,184 A	6/1992	Anderson	D697,801 S *	1/2014	Rapparini	D9/428
5,131,185 A	7/1992	Wingerden	D708,506 S	7/2014	Wu	
5,168,664 A	12/1992	Deutschmann, Sr.	D718,847 S	12/2014	Haley et al.	
5,201,141 A	4/1993	Ahm	D718,876 S	12/2014	Smedberg	
5,225,342 A	7/1993	Farrell	D719,084 S	12/2014	Kruse	
5,282,335 A	2/1994	Holtkamp, Jr.	8,984,807 B2	3/2015	Hansen et al.	
5,323,567 A	6/1994	Nakayama et al.	D726,888 S	4/2015	Johansen	
D351,668 S	10/1994	Lim et al.	9,038,312 B2	5/2015	Harbaugh	
5,385,589 A	1/1995	Kratky	D736,900 S	8/2015	Frelier	
5,459,960 A	10/1995	Manlove	9,220,207 B2	12/2015	Storey	
5,491,998 A	2/1996	Hansen	9,266,517 B2	2/2016	Knechtges et al.	
5,533,299 A	7/1996	Kratky	9,341,266 B1	5/2016	Vivatson	
D376,307 S	12/1996	Burgasser et al.	9,510,524 B2	12/2016	Anderson et al.	
5,586,656 A	12/1996	Abrums	9,534,391 B2	1/2017	Haley et al.	
D385,507 S	10/1997	Hulsebus	9,534,842 B1	1/2017	Rivera et al.	
5,761,848 A	6/1998	Manlove	D789,499 S	6/2017	Slorach	
			9,795,089 B2	10/2017	Kantola et al.	
			2005/0086861 A1	4/2005	Atchley	
			2005/0274073 A1	12/2005	Brooke et al.	
			2006/0150497 A1	7/2006	Kaprielian	

(56)

References Cited

U.S. PATENT DOCUMENTS

2006/0288640	A1	12/2006	Leithold	
2008/0230010	A1	9/2008	Buck	
2008/0302010	A1	12/2008	Cordon	
2009/0056215	A1	3/2009	Yang	
2009/0151269	A1	6/2009	Eiger et al.	
2009/0166369	A1	7/2009	Savicki	
2009/0241417	A1	10/2009	Smith	
2009/0278641	A1	11/2009	Hedayat	
2010/0147848	A1*	6/2010	Rider, Jr.	B65D 43/021 220/203.09
2010/0170154	A1	6/2010	Ahn	
2011/0114800	A1	5/2011	Gramling	
2011/0138698	A1	6/2011	Neumann	
2012/0180818	A1	7/2012	Janesky	
2012/0324787	A1	12/2012	Daas et al.	
2013/0056475	A1	3/2013	Buck	
2013/0133252	A1	5/2013	Harbaugh	
2014/0041297	A1	2/2014	Miel et al.	
2014/0215919	A1	8/2014	Harbaugh	
2014/0223818	A1	8/2014	Coghlan	
2015/0040474	A1	2/2015	Lee et al.	
2015/0068121	A1	3/2015	Probst et al.	
2015/0082692	A1	3/2015	Wardenburg et al.	
2015/0184393	A1	7/2015	Conner	
2015/0216131	A1	8/2015	Van Wingerden	
2015/0237807	A1	8/2015	Valiquette	
2015/0305261	A1	10/2015	Wilson et al.	
2015/0342127	A1	12/2015	Gallant	
2016/0136831	A1	3/2016	Bonnet et al.	
2016/0100535	A1	4/2016	Daugirdas	
2016/0183486	A1	6/2016	Kabakov	

2016/0192607	A1	7/2016	Kitagawa
2016/0223418	A1	8/2016	Wüest et al.
2016/0376790	A1	12/2016	Yildiz
2017/0086399	A1	3/2017	Anderson et al.
2017/0119971	A1	5/2017	Marsh et al.
2017/0231167	A1	8/2017	Storey
2017/0254088	A1	9/2017	Axford

FOREIGN PATENT DOCUMENTS

EP	1407987	A1	4/2004
GB	2077082	A	12/1981
JP	H03 127919	A	5/1991
WO	WO-2014/199917	A1	12/2014

OTHER PUBLICATIONS

English-language translation of WO 2014/199917 A1 (Year: 2014).
 Large and Small Mask Clicker Dies from ScrapWorksArmory on
 Etsy Studio, website 2017, <https://www.etsystudio.com/listing/231288759/large-and-small-mask-clicker-dies>, [visited Sep. 11, 2017].
 Old-Fashioned Cast Iron Shelf Bracket—Signature Hardware, <http://www.signaturehardware.com/old-fashioned-cast-iron-shelf-bracket.html#pr-header-back-to-top-link>, [visited Sep. 11, 2017].
 Steel Rule Dies & Clicker Dies, website 2006, <http://swanson.ie.com/clicker.htm>, [visited Sep. 11, 2017].
 Autopot Irrigation Watering System Parts/Spare Accessories Connectors Hydro IWS | eBay, <http://www.ebay.com/itm/Autopot-Irrigation-Watering-System-Parts-Accessories-Connectors-Hydro-ponic-/121502209218>, [visited Sep. 15, 2017].

* cited by examiner

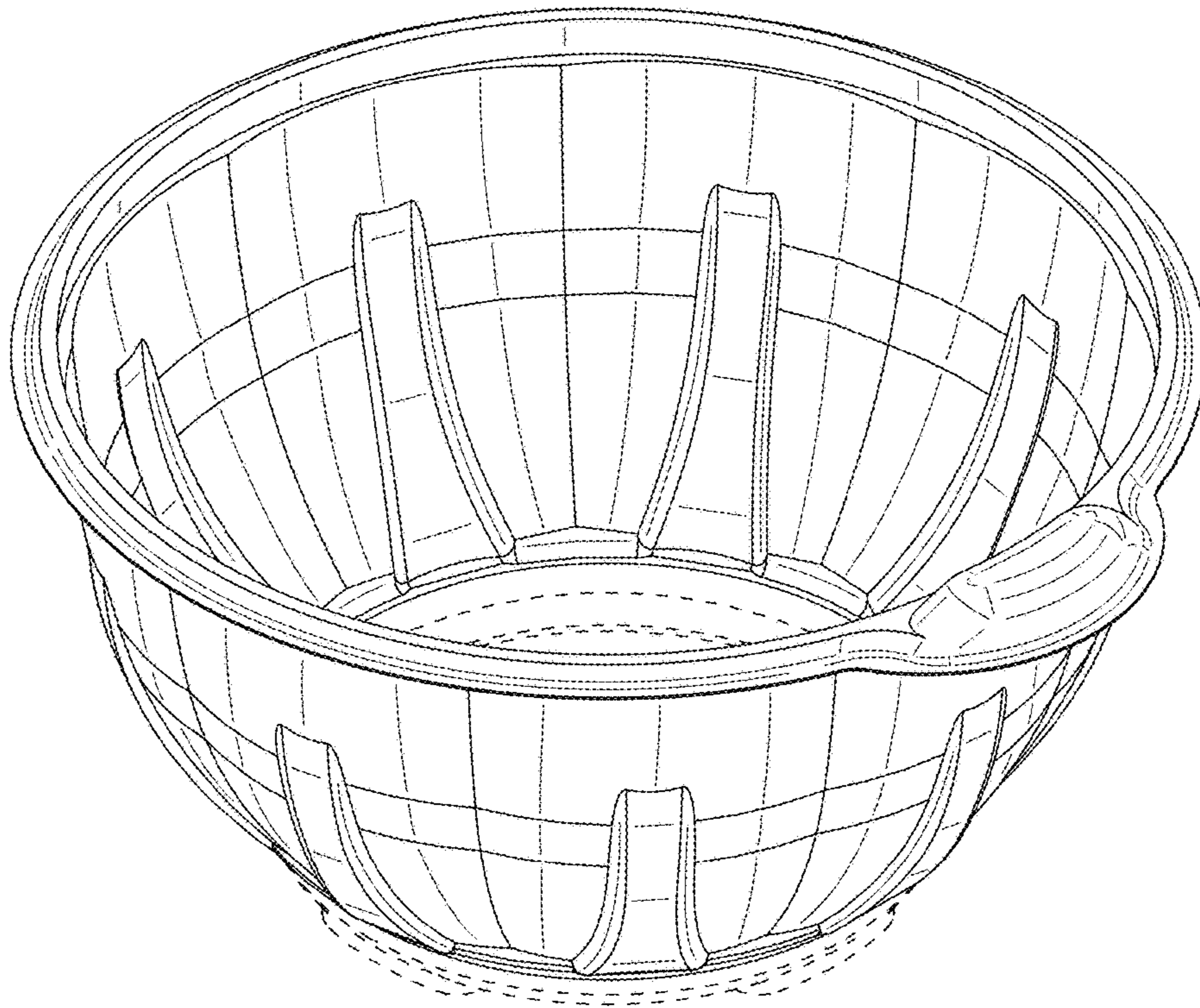


FIG. 1

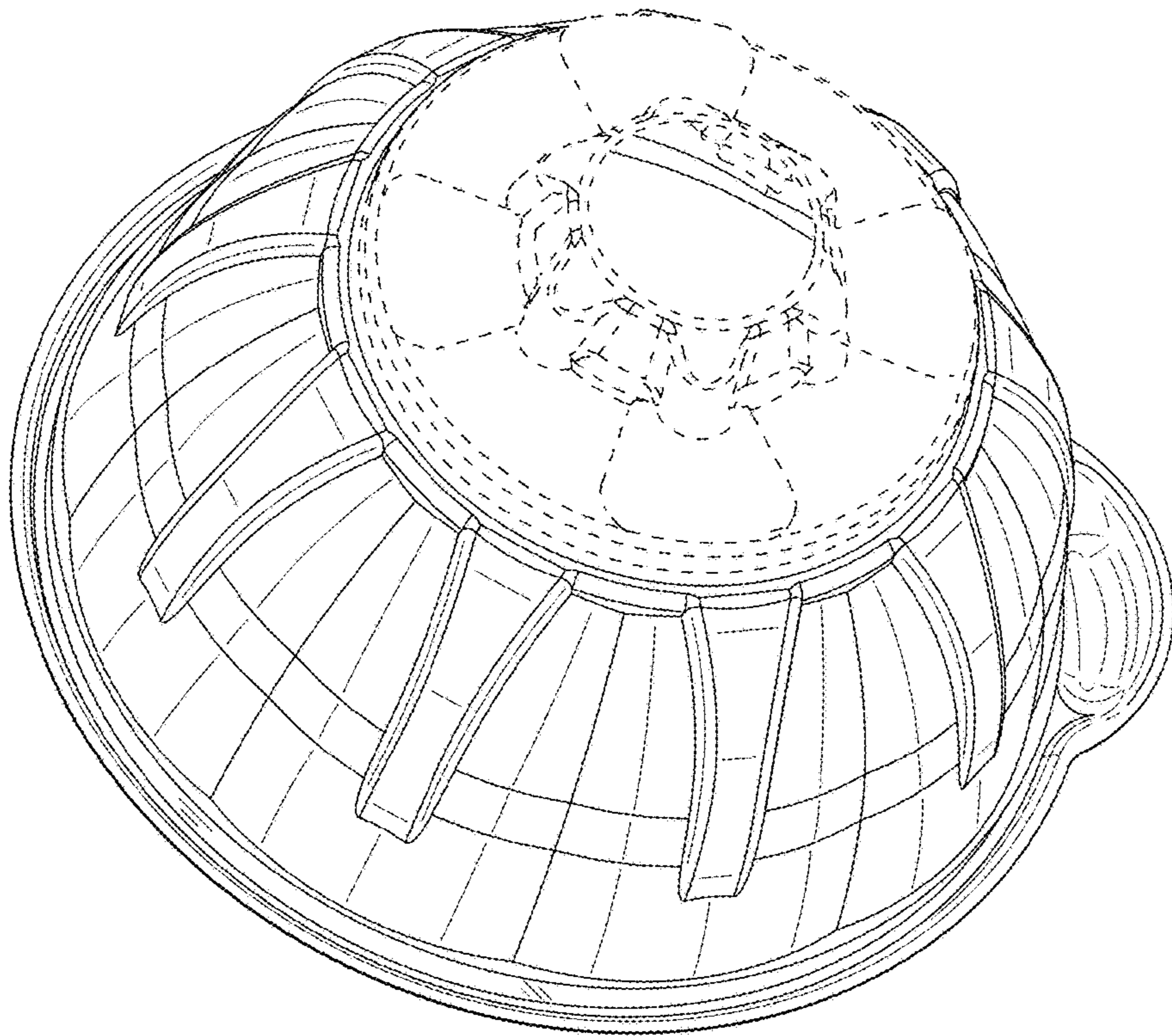


FIG. 2

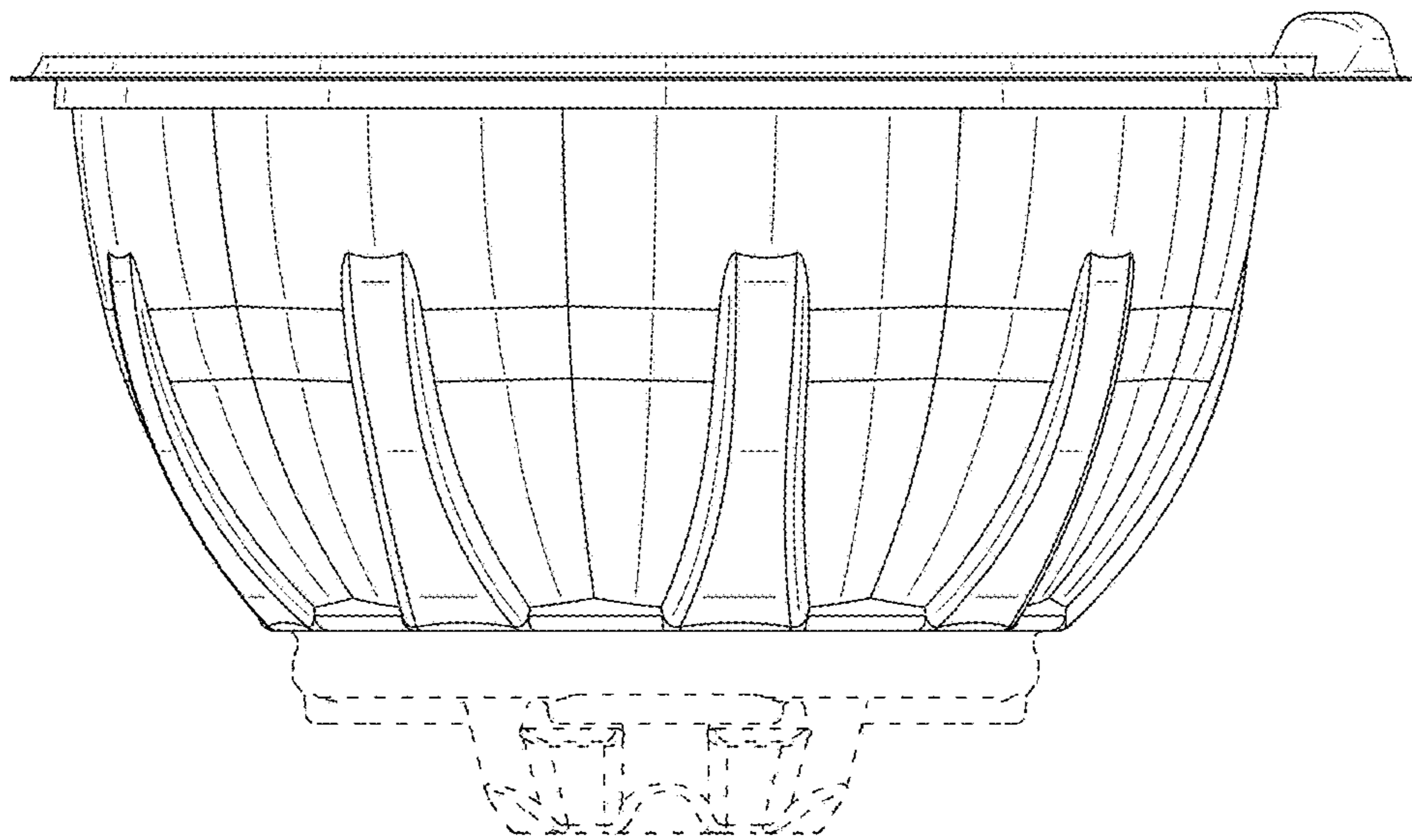


FIG. 3

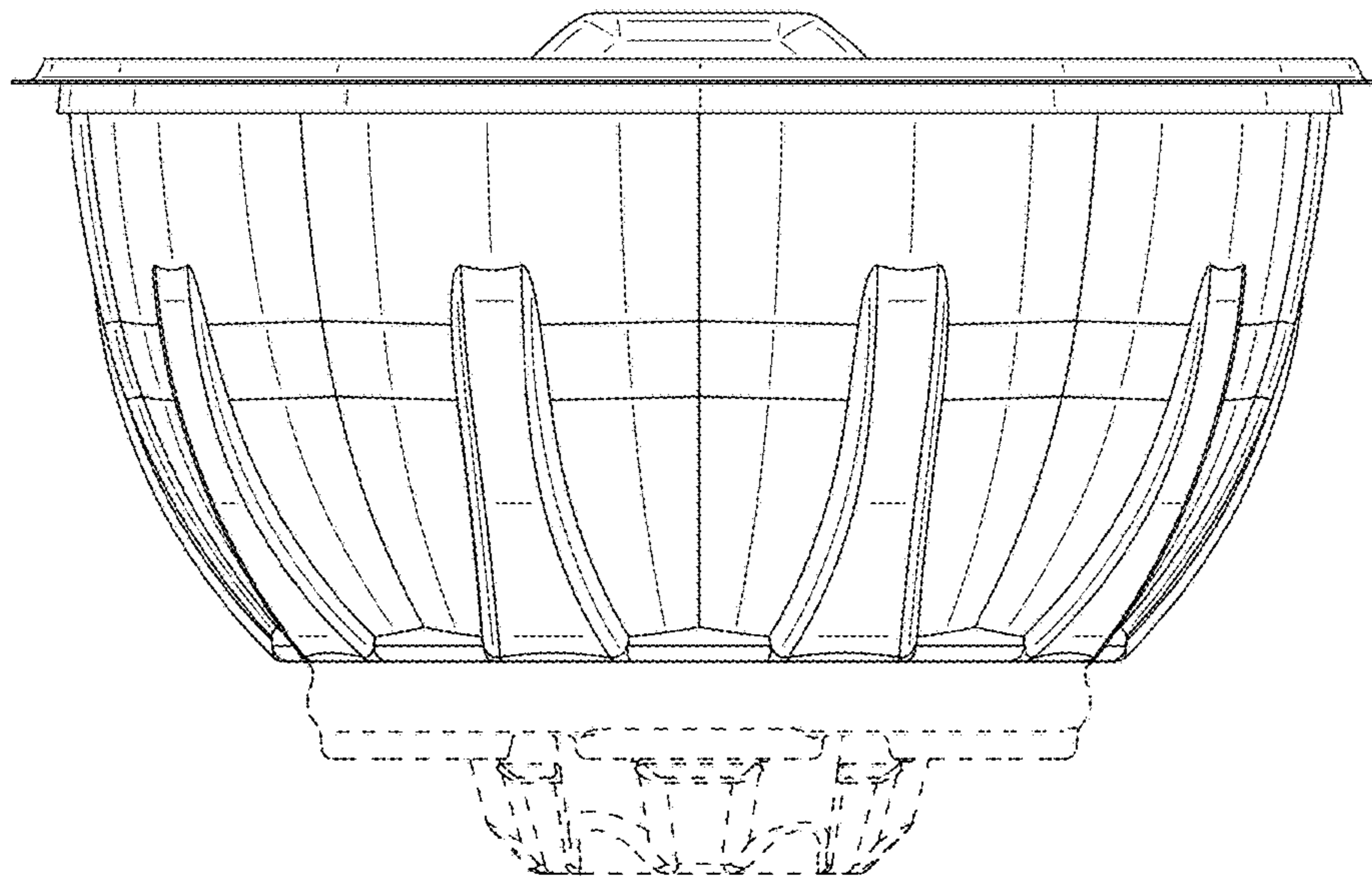


FIG. 4

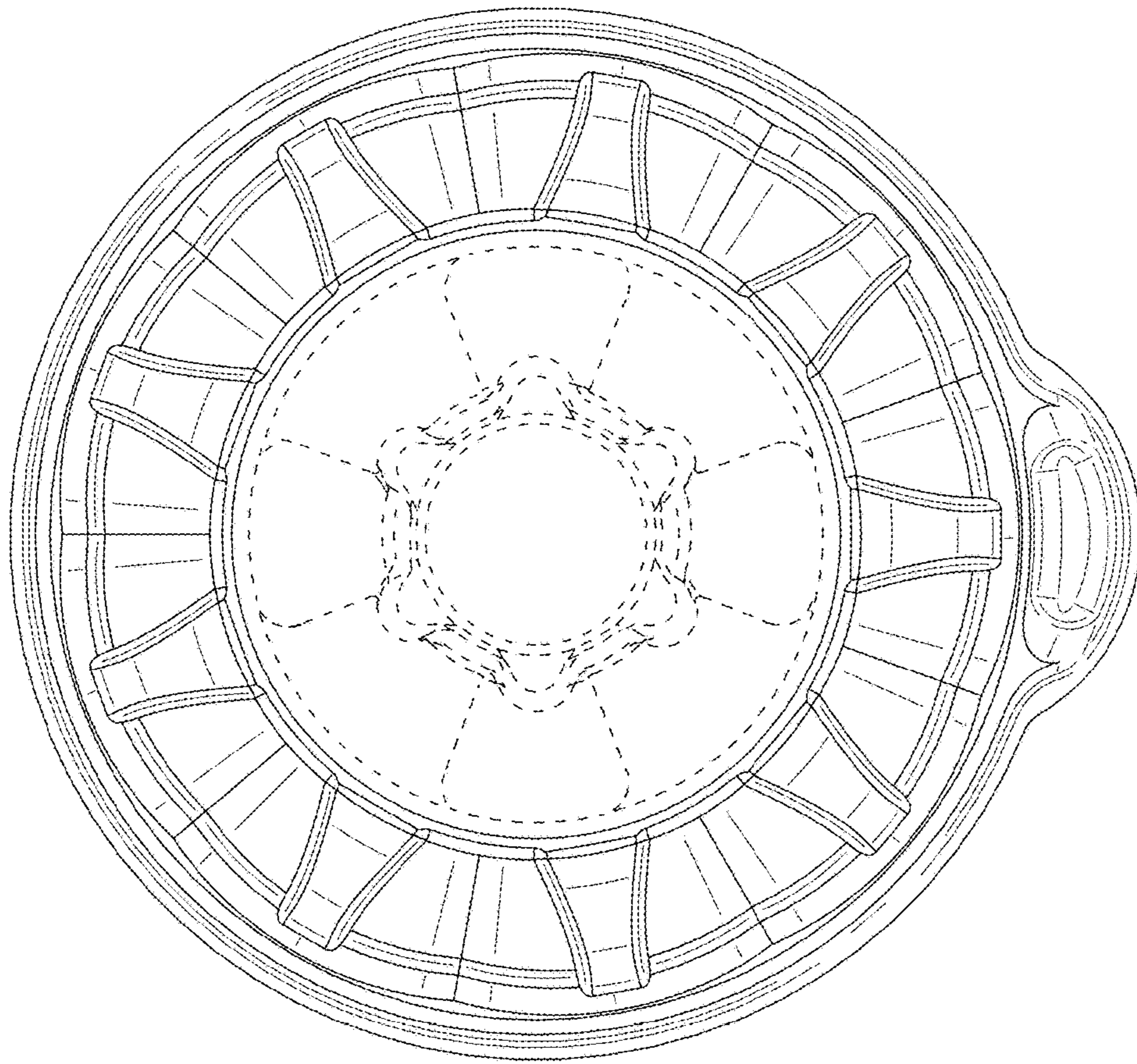


FIG. 5

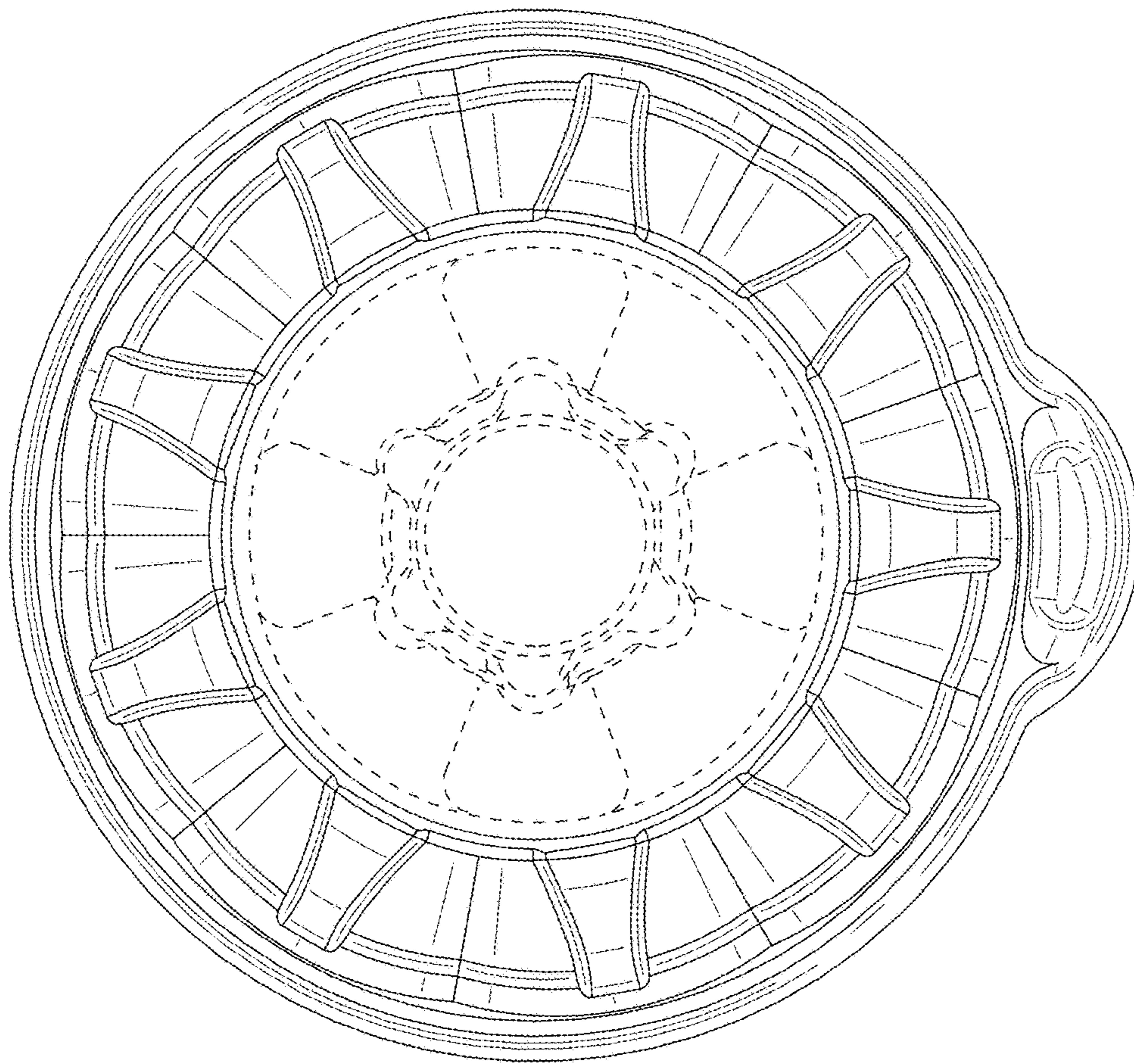


FIG. 6