



US00D845757S

(12) **United States Design Patent**
Garcia et al.

(10) **Patent No.:** **US D845,757 S**
(45) **Date of Patent:** **** Apr. 16, 2019**

(54) **CONTAINER**

(71) Applicant: **Direct Pack, Inc.**, Azusa, CA (US)

(72) Inventors: **Maria Angelica O. Garcia**, Anaheim, CA (US); **Jose Enriquez**, South Gate, CA (US)

(73) Assignee: **Direct Pack, Inc.**, Azusa, CA (US)

(**) Term: **15 Years**

(21) Appl. No.: **29/612,146**

(22) Filed: **Jul. 28, 2017**

(51) **LOC (11) Cl.** **09-03**

(52) **U.S. Cl.**
USPC **D9/428**

(58) **Field of Classification Search**
USPC D7/538-542, 602, 608, 629; D9/414, D9/420, 424-426, 429, 432, 761; 206/501-509; 220/781, 791, 793, 220/811-813, 835, 839
CPC B65D 1/24; B65D 25/04; B65D 43/03; B65D 43/16; B65D 43/0212
See application file for complete search history.

(56) **References Cited**

U.S. PATENT DOCUMENTS

D404,258 S * 1/1999 Indeku D7/545
D416,754 S * 11/1999 Laib D7/391

D453,308 S * 2/2002 McCauley D11/152
D475,621 S * 6/2003 Buchalski D9/428
D523,695 S * 6/2006 Haataja D7/543
D564,843 S * 3/2008 Frank D7/566
D592,458 S * 5/2009 Scherer D7/566
D634,618 S * 3/2011 Colacitti D7/354

* cited by examiner

Primary Examiner — Derrick E Holland

Assistant Examiner — Janice Patyk

(74) *Attorney, Agent, or Firm* — Frost Brown Todd, LLC

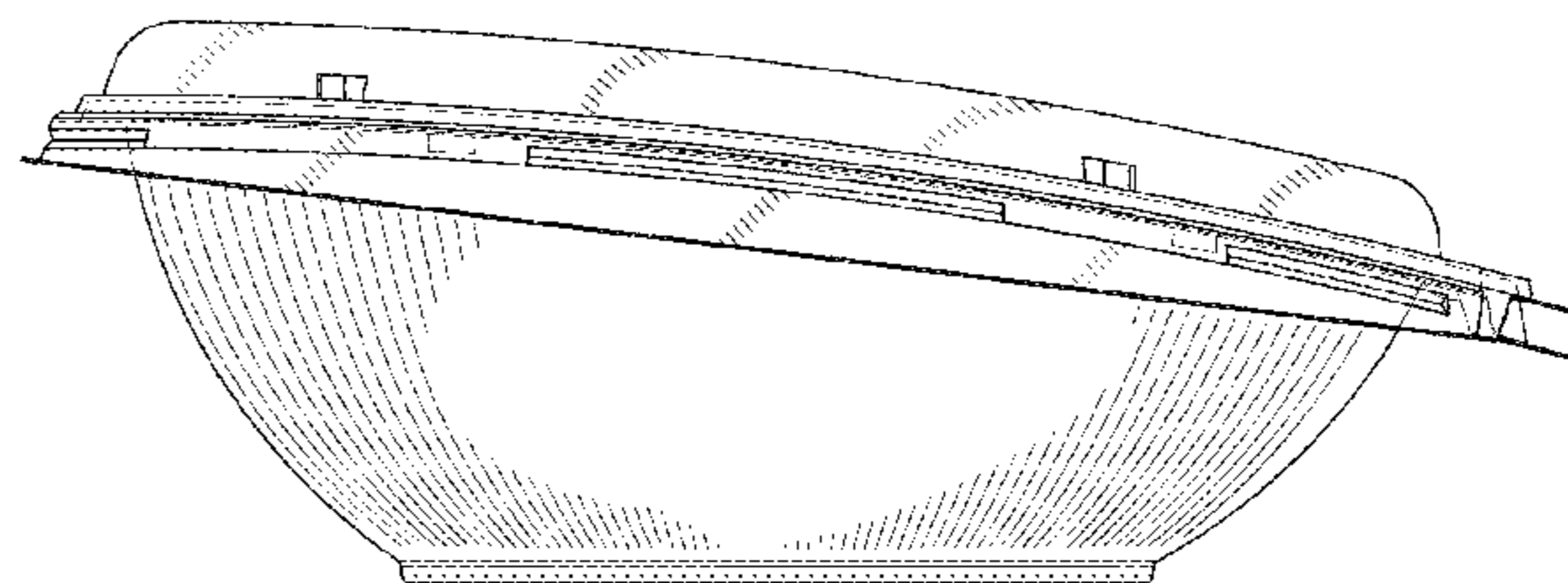
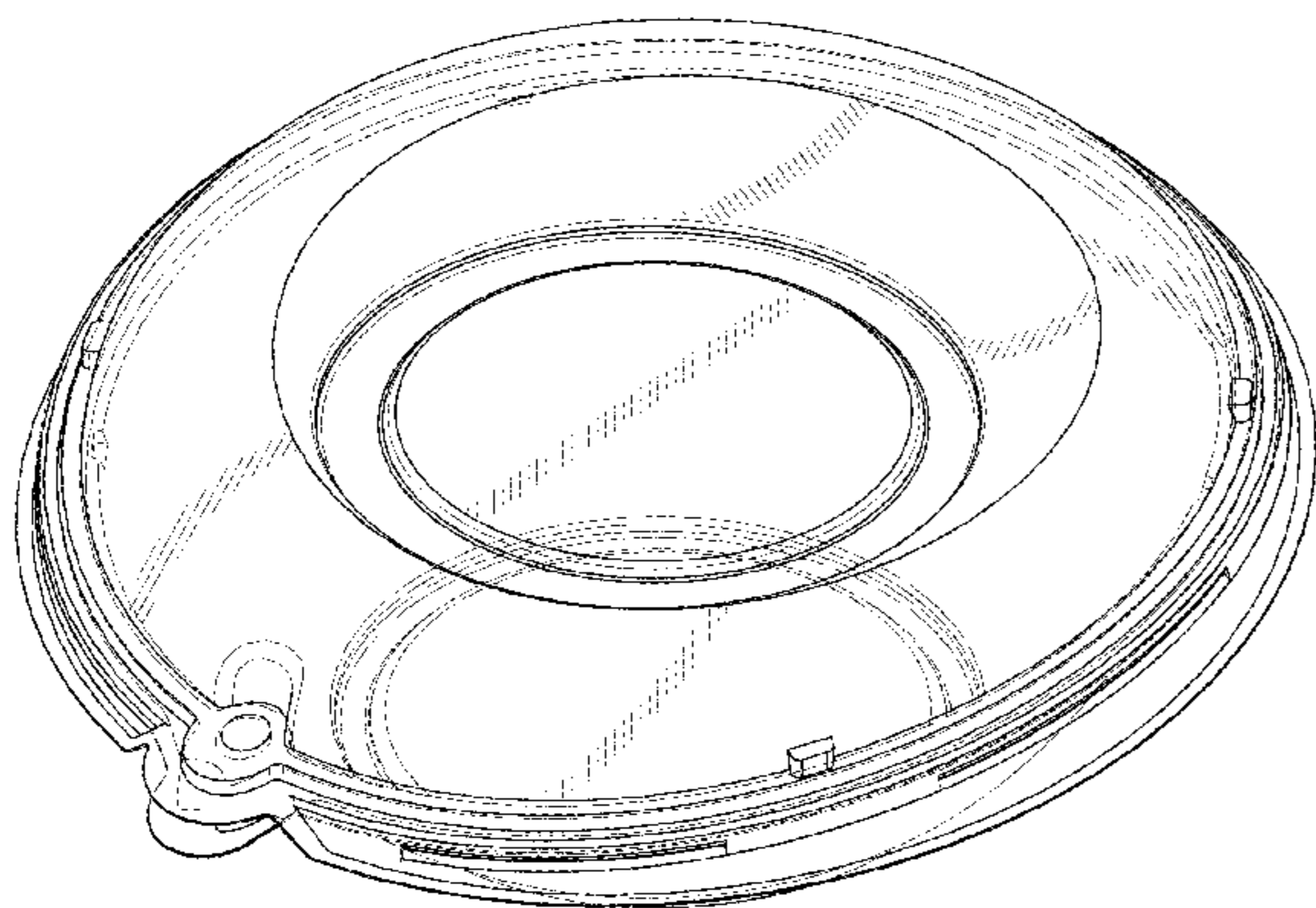
(57) **CLAIM**

The ornamental design for a container, as shown and described.

DESCRIPTION

FIG. 1 is a top perspective view of a container showing our new design;
FIG. 2 is a bottom perspective view of thereof;
FIG. 3 is a front elevational view thereof;
FIG. 4 is a back elevational view thereof;
FIG. 5 is a left elevational view thereof;
FIG. 6 is a right elevational view thereof;
FIG. 7 is a top plan view thereof; and,
FIG. 8 is a bottom plan view thereof.

1 Claim, 8 Drawing Sheets



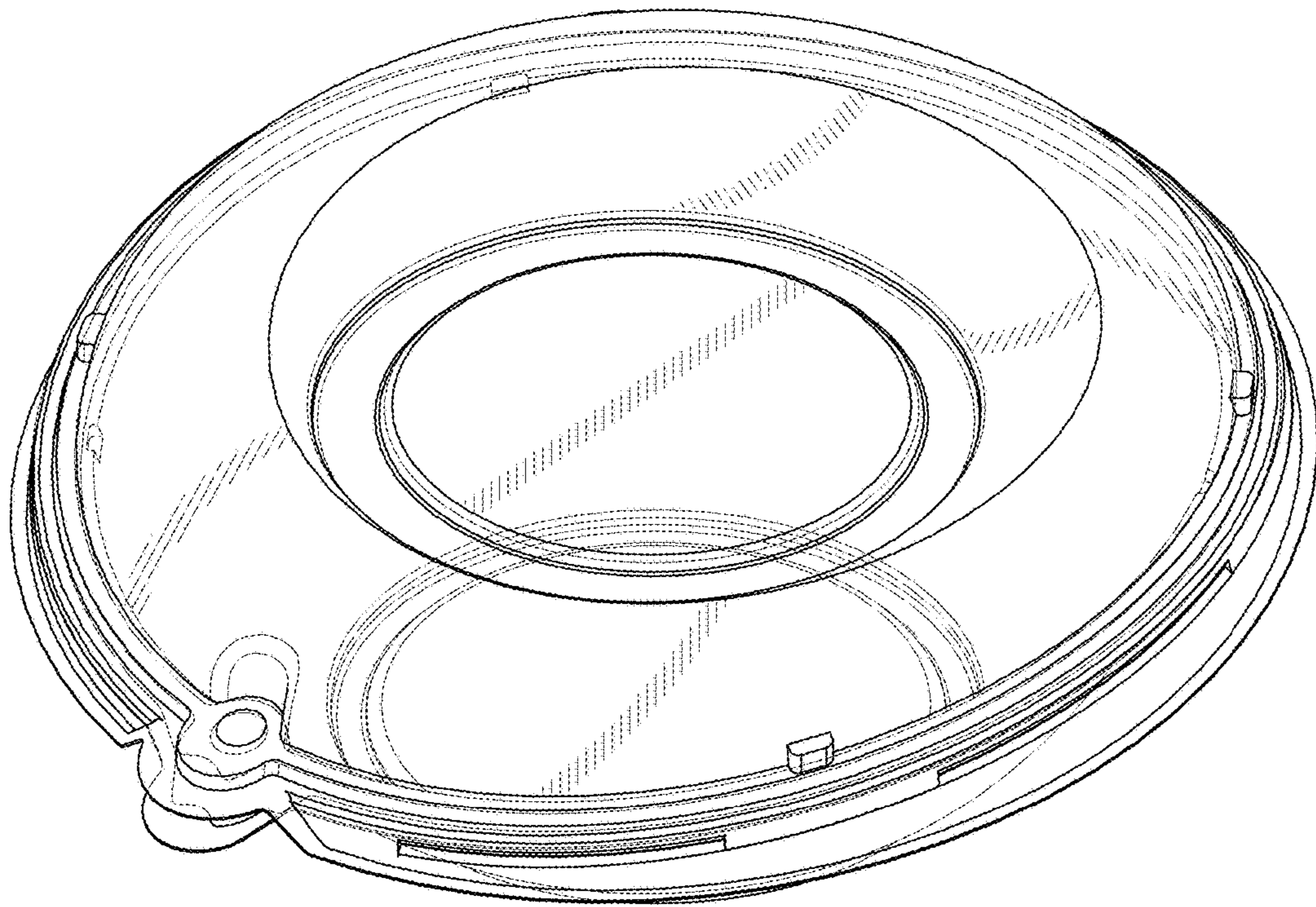


FIG. 1

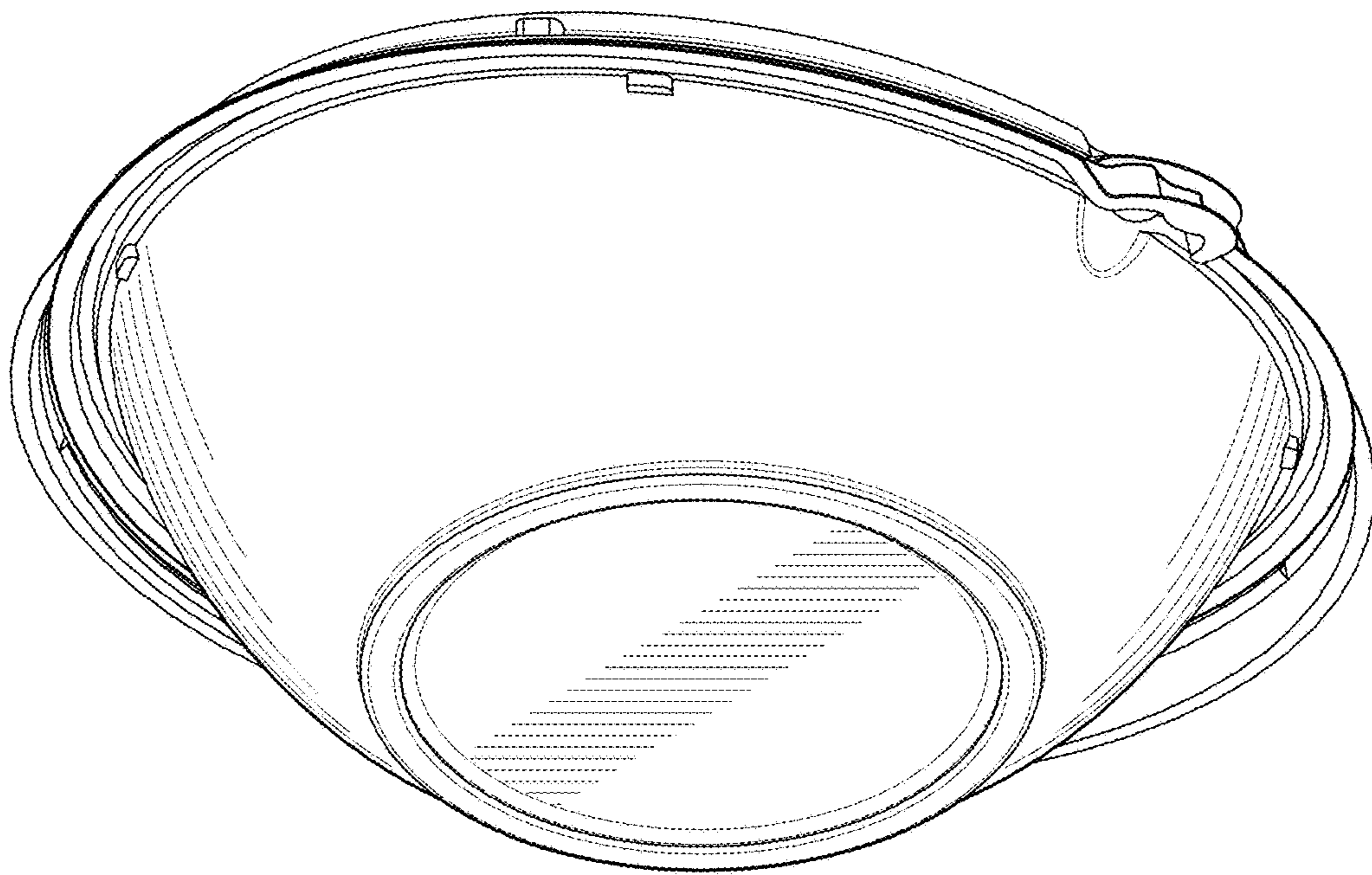


FIG. 2

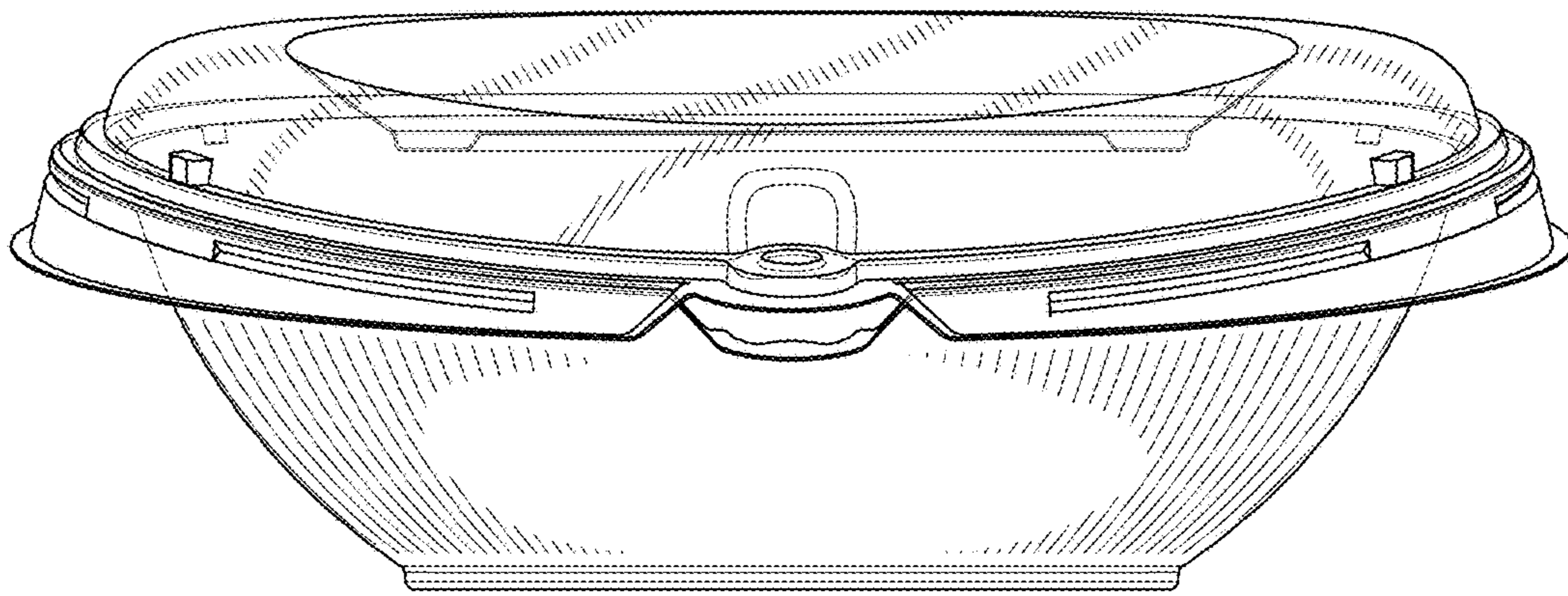


FIG. 3

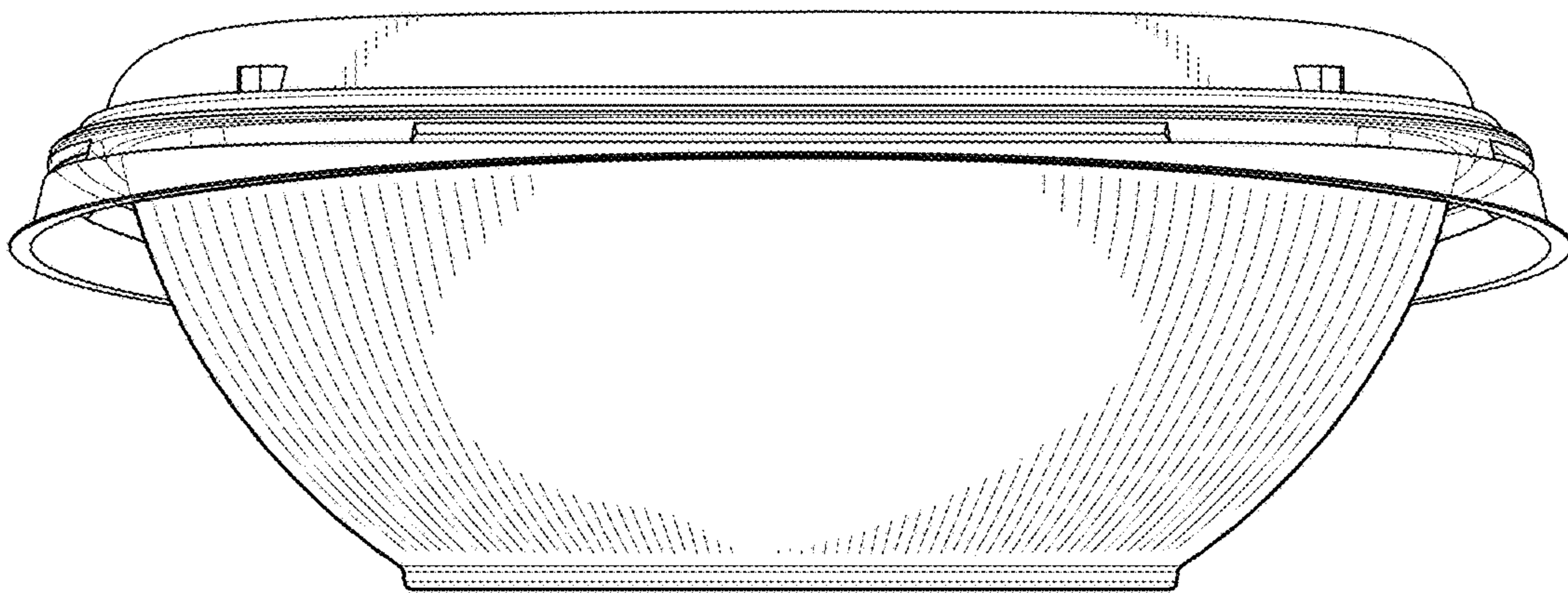


FIG. 4

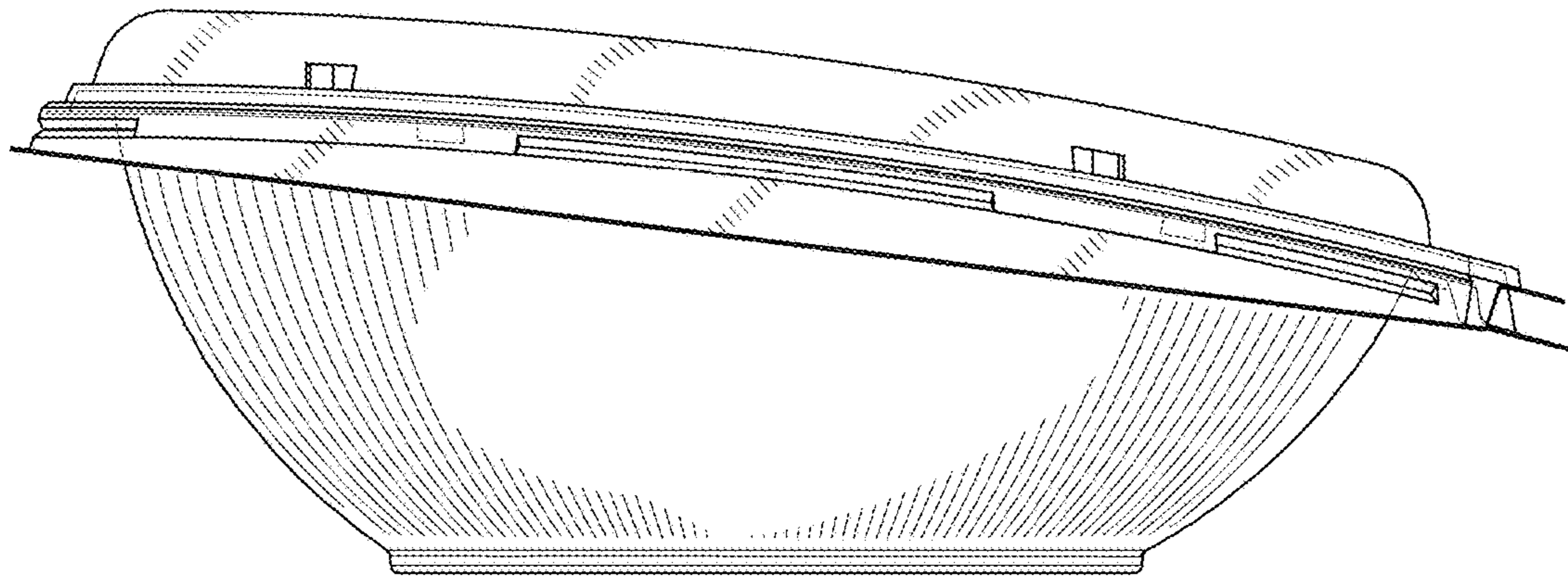


FIG. 5

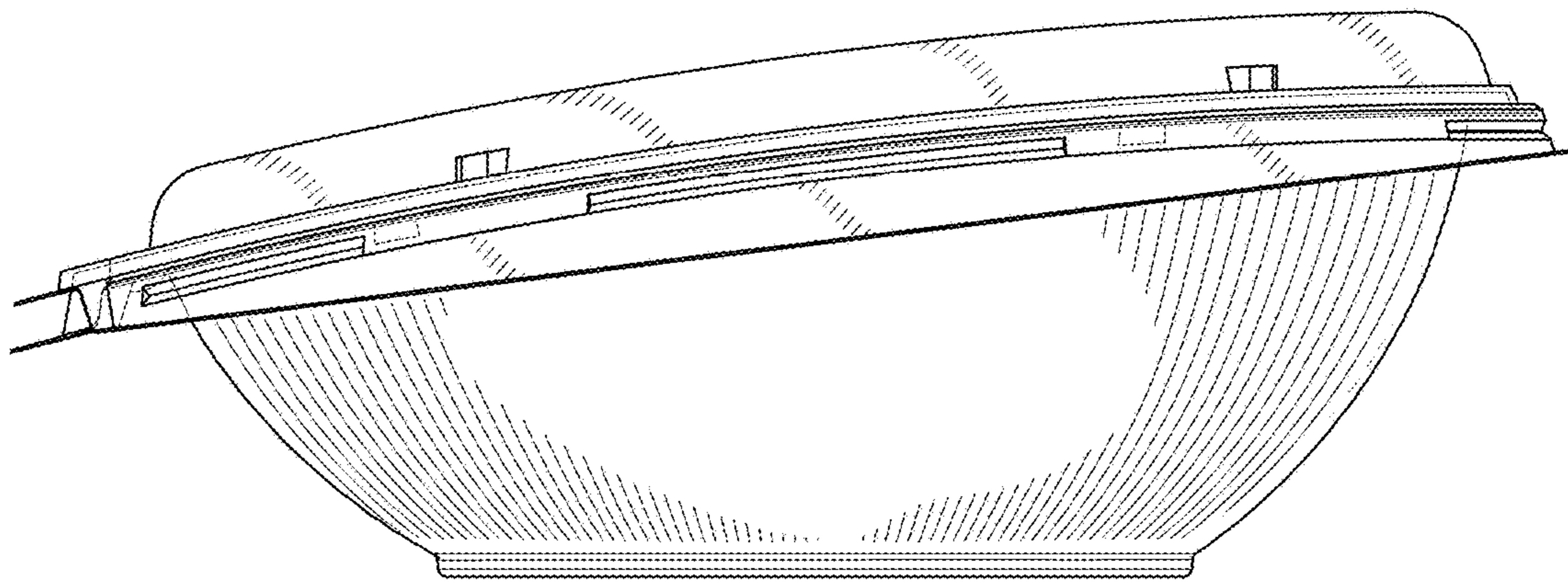


FIG. 6

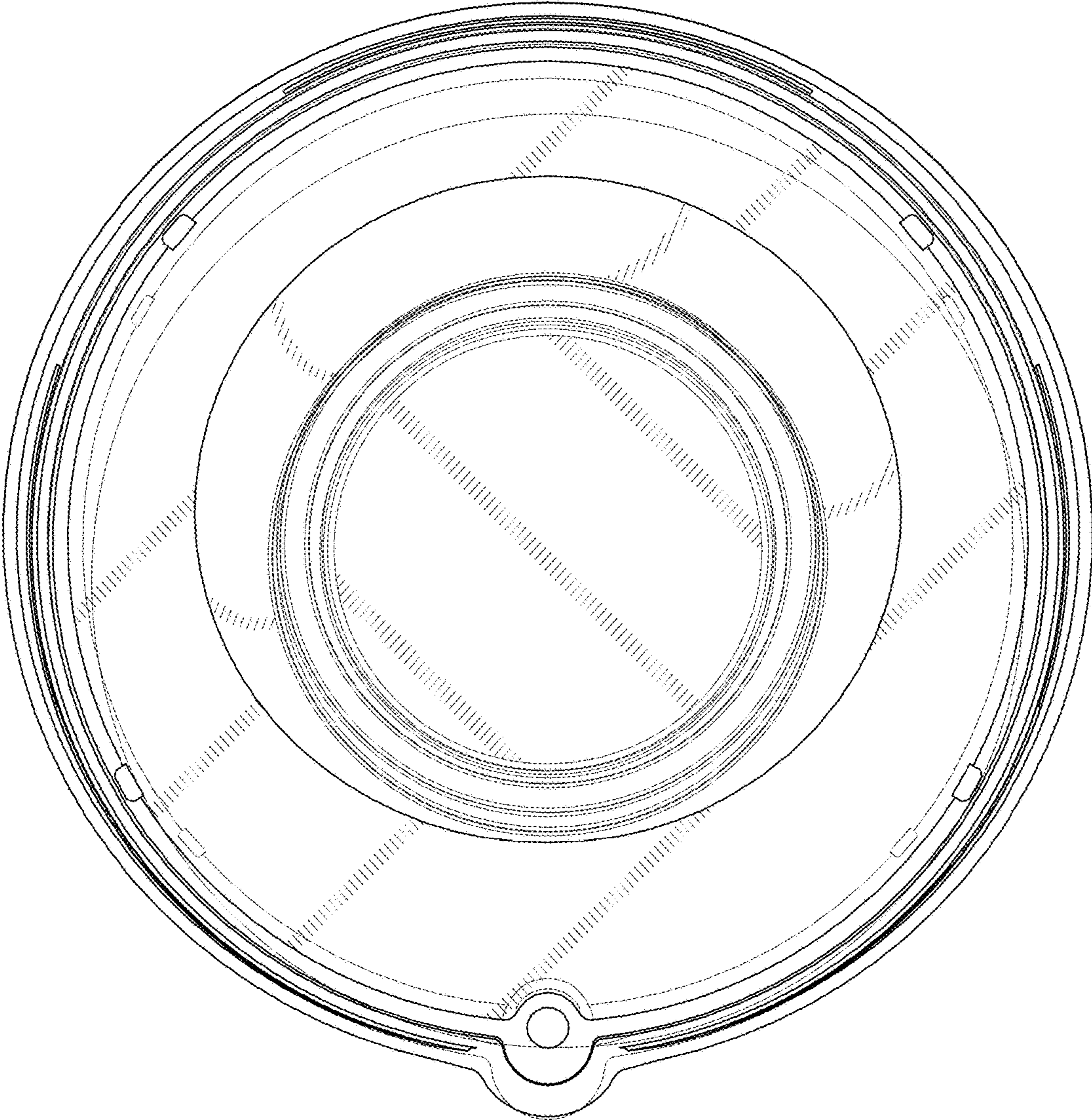


FIG. 7

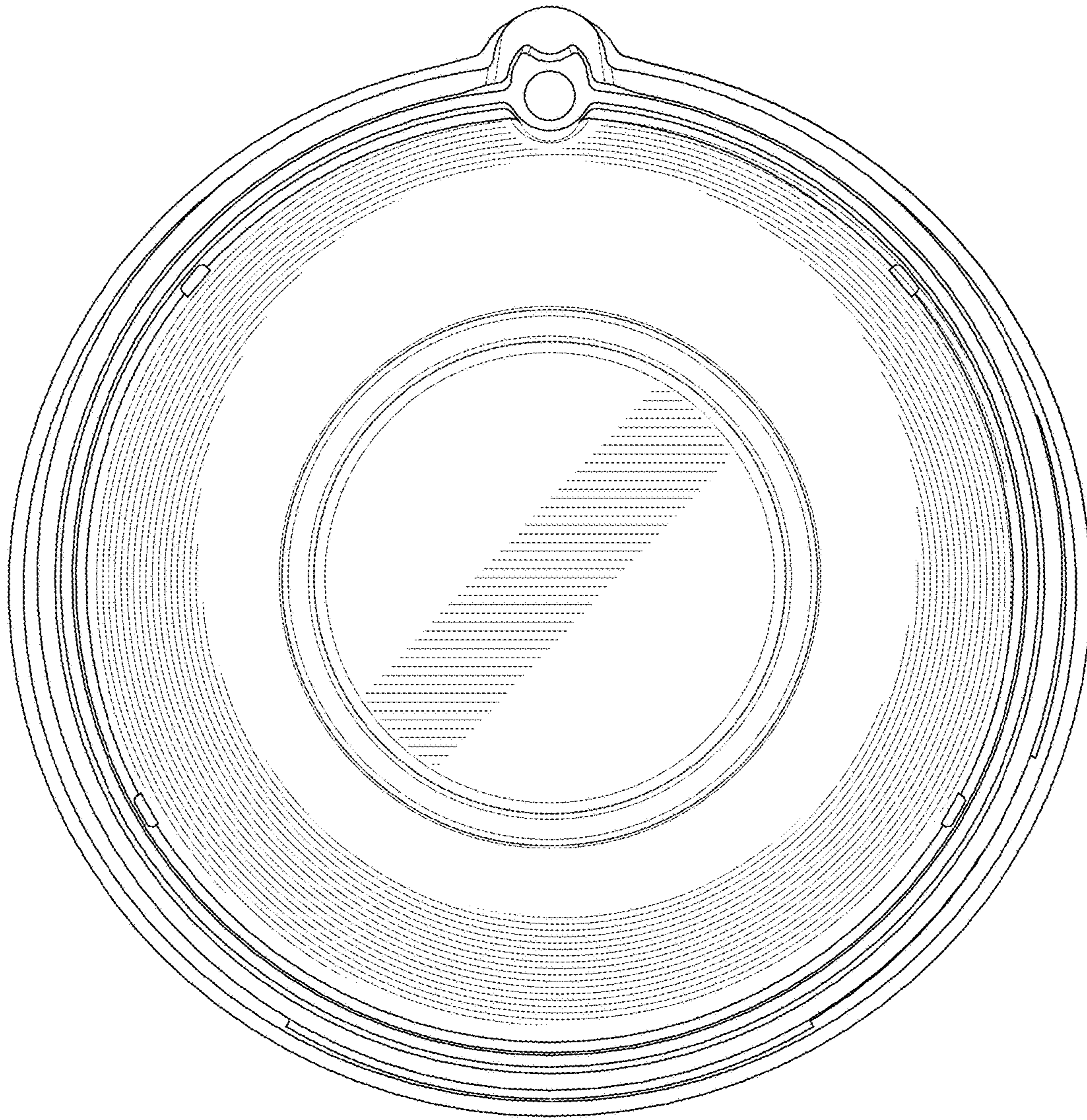


FIG. 8