



US00D845756S

(12) **United States Design Patent**
Pereira Da Silva

(10) **Patent No.:** **US D845,756 S**
(45) **Date of Patent:** **** Apr. 16, 2019**

(54) **COMBINED CONTAINER AND LID**

(71) Applicant: **Marco Antonio Pereira Da Silva,**
Aventura, FL (US)

(72) Inventor: **Marco Antonio Pereira Da Silva,**
Aventura, FL (US)

(**) Term: **15 Years**

(21) Appl. No.: **29/592,476**

(22) Filed: **Jan. 31, 2017**

(51) **LOC (11) Cl.** **09-03**

(52) **U.S. Cl.**
USPC **D9/428**

(58) **Field of Classification Search**
USPC D7/396.1, 538-542, 602, 608, 629;
D9/414, 424-429, 432, 761; 206/499,
(Continued)

(56) **References Cited**

U.S. PATENT DOCUMENTS

D475,621 S * 6/2003 Buchalski et al. D9/428
D491,455 S * 6/2004 Li D8/428
(Continued)

Primary Examiner — Derrick E Holland

Assistant Examiner — Janice Patyk

(74) *Attorney, Agent, or Firm* — Schmeiser, Olsen &
Watts, LLP

(57) **CLAIM**

The ornamental design for a combined container and lid, as shown and described.

DESCRIPTION

FIG. 1 is a perspective view of embodiment one, of a combined container and lid, showing my new design;
FIG. 2 is a front view thereof;
FIG. 3 is a back view thereof;
FIG. 4 is a left side view thereof;

FIG. 5 is a right side view of thereof;
FIG. 6 is a top view of thereof;
FIG. 7 is a bottom view of thereof;
FIG. 8 is a perspective view of embodiment two, of a combined container and lid, showing my new design;
FIG. 9 is a front view thereof;
FIG. 10 is a back view thereof;
FIG. 11 is a left side view thereof;
FIG. 12 is a right side view thereof;
FIG. 13 is a top view thereof;
FIG. 14 is a bottom view thereof;
FIG. 15 is a perspective view of embodiment three, of a combined container and lid, showing my new design;
FIG. 16 is a front view thereof;
FIG. 17 is a back view thereof;
FIG. 18 is a left side view thereof;
FIG. 19 is a right side view thereof;
FIG. 20 is a top view thereof;
FIG. 21 is a bottom view thereof;
FIG. 22 is a perspective view of embodiment four, of a combined container and lid, showing my new design;
FIG. 23 is a front view thereof;
FIG. 24 is a back view thereof;
FIG. 25 is a left side view thereof;
FIG. 26 is a right side view thereof;
FIG. 27 is a top view thereof;
FIG. 28 is a bottom view thereof;
FIG. 29 is a perspective view of embodiment five, of a combined container and lid, showing my new design;
FIG. 30 is a front view thereof;
FIG. 31 is a back view thereof;
FIG. 32 is a left side view thereof;
FIG. 33 is a right side view thereof;
FIG. 34 is a top view thereof;
FIG. 35 is a bottom view thereof;
FIG. 36 is a perspective view of embodiment six, of a combined container and lid, showing my new design;
FIG. 37 is a front view thereof;
FIG. 38 is a back view thereof;
FIG. 39 is a left side view thereof;

(Continued)

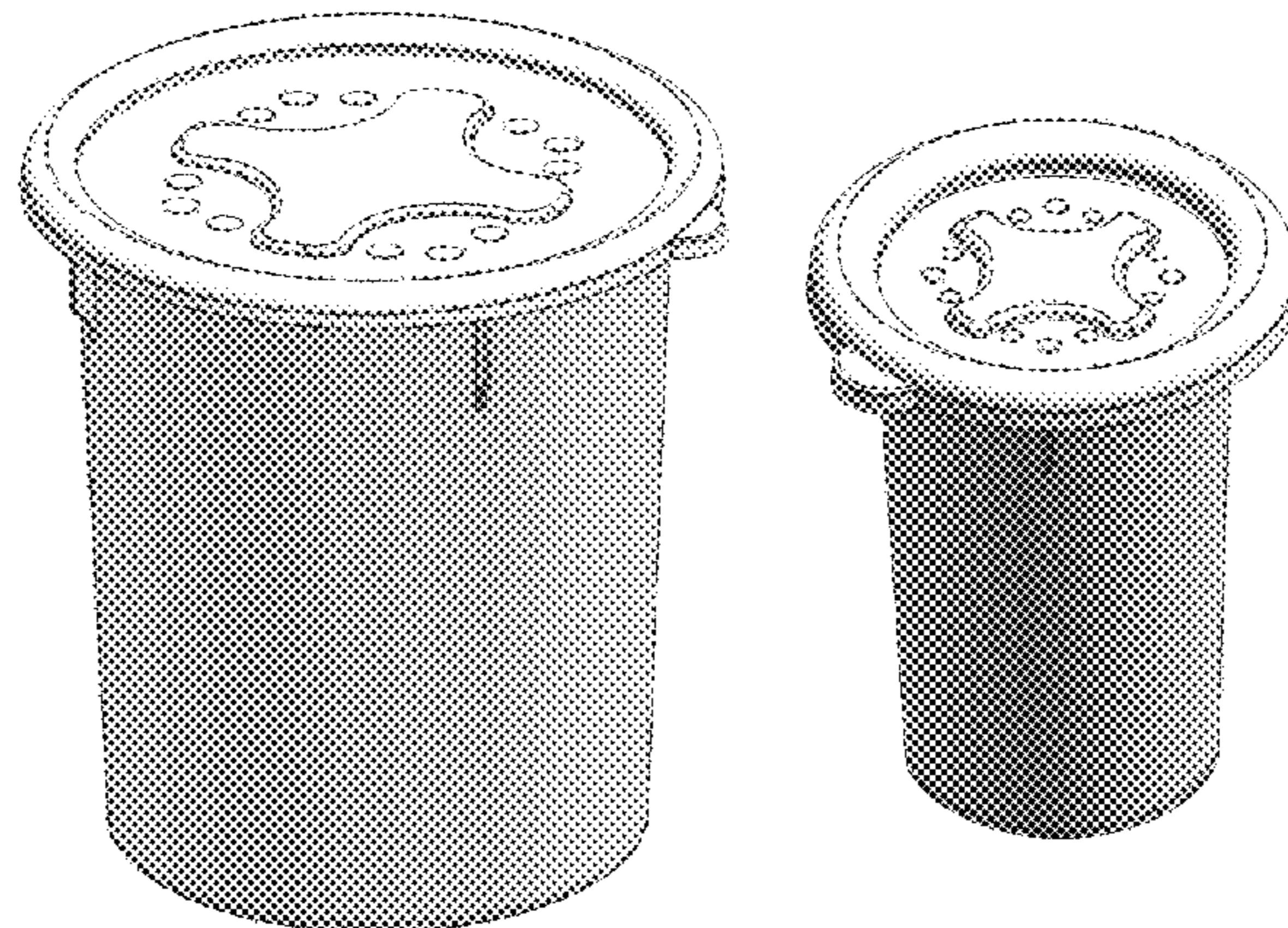


FIG. 40 is a right side view thereof;
FIG. 41 is a top view thereof; and,
FIG. 42 is a bottom view thereof.

1 Claim, 21 Drawing Sheets

(58) **Field of Classification Search**

USPC 206/508, 557; 220/23.4, 23.6, 315, 500,
220/659, 669, 674, 675, 696, 752, 760,
220/790, 793; 229/105, 117.09, 117.26,
229/189, 406, 407, 902, 905
CPC ... B65D 1/34; B65D 1/36; B65D 1/40; B65D
25/04; B65D 43/00; B65D 43/02; B65D
81/34; B65D 81/3446; B65D 2543/00;
B65D 2581/34

See application file for complete search history.

(56) **References Cited**

U.S. PATENT DOCUMENTS

7,055,712 B2 *	6/2006	Tang	B65D 6/28
D549,050 S *	8/2007	Spencer et al.	D7/538
D606,368 S *	12/2009	Wu	D7/629
D634,618 S *	3/2011	Colacitti	D9/425
D665,663 S *	8/2012	Krupa	D9/428
D702,510 S *	4/2014	Segal	D7/629
D730,727 S *	6/2015	Chen	D9/428

* cited by examiner

FIG. 1

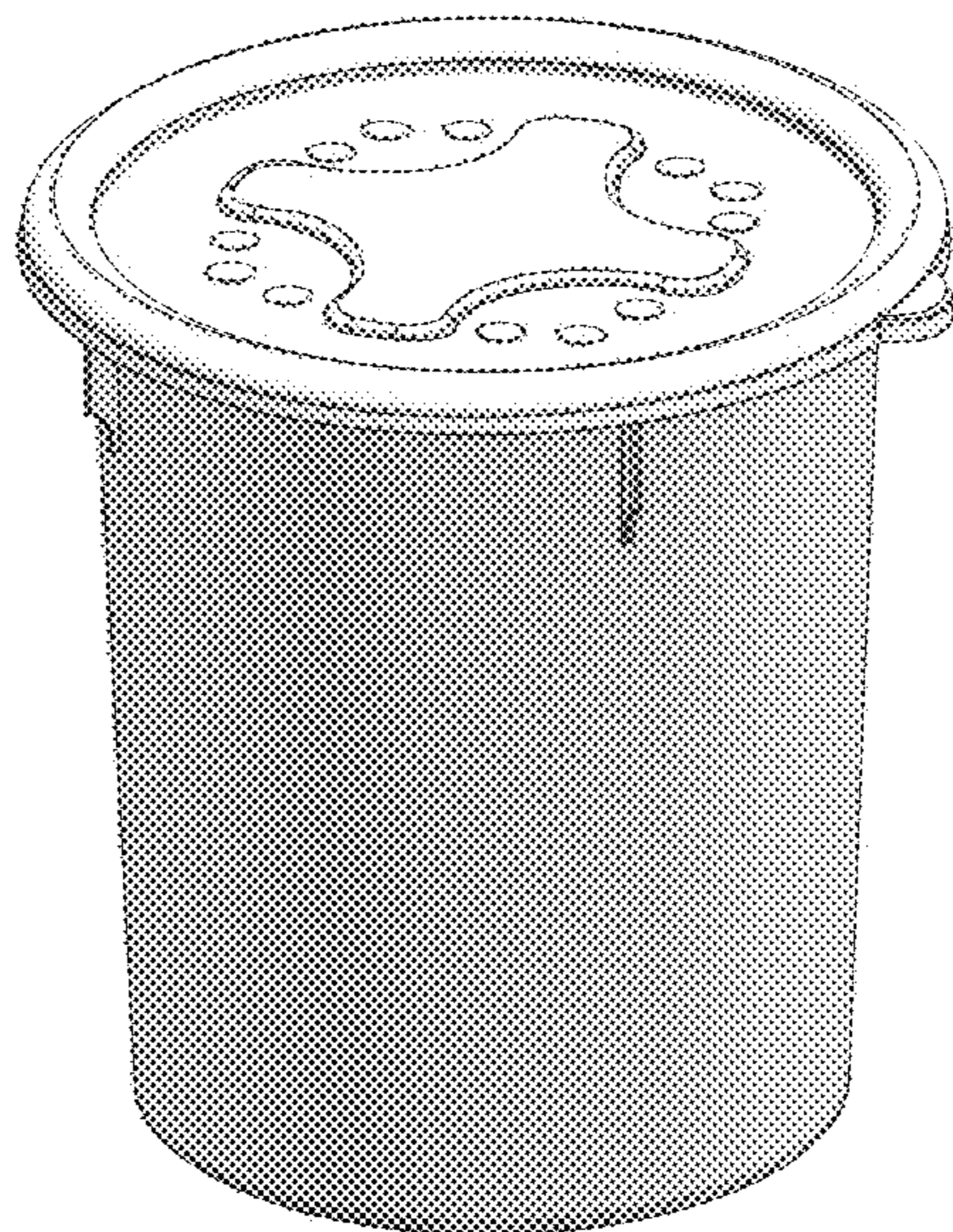


FIG. 2

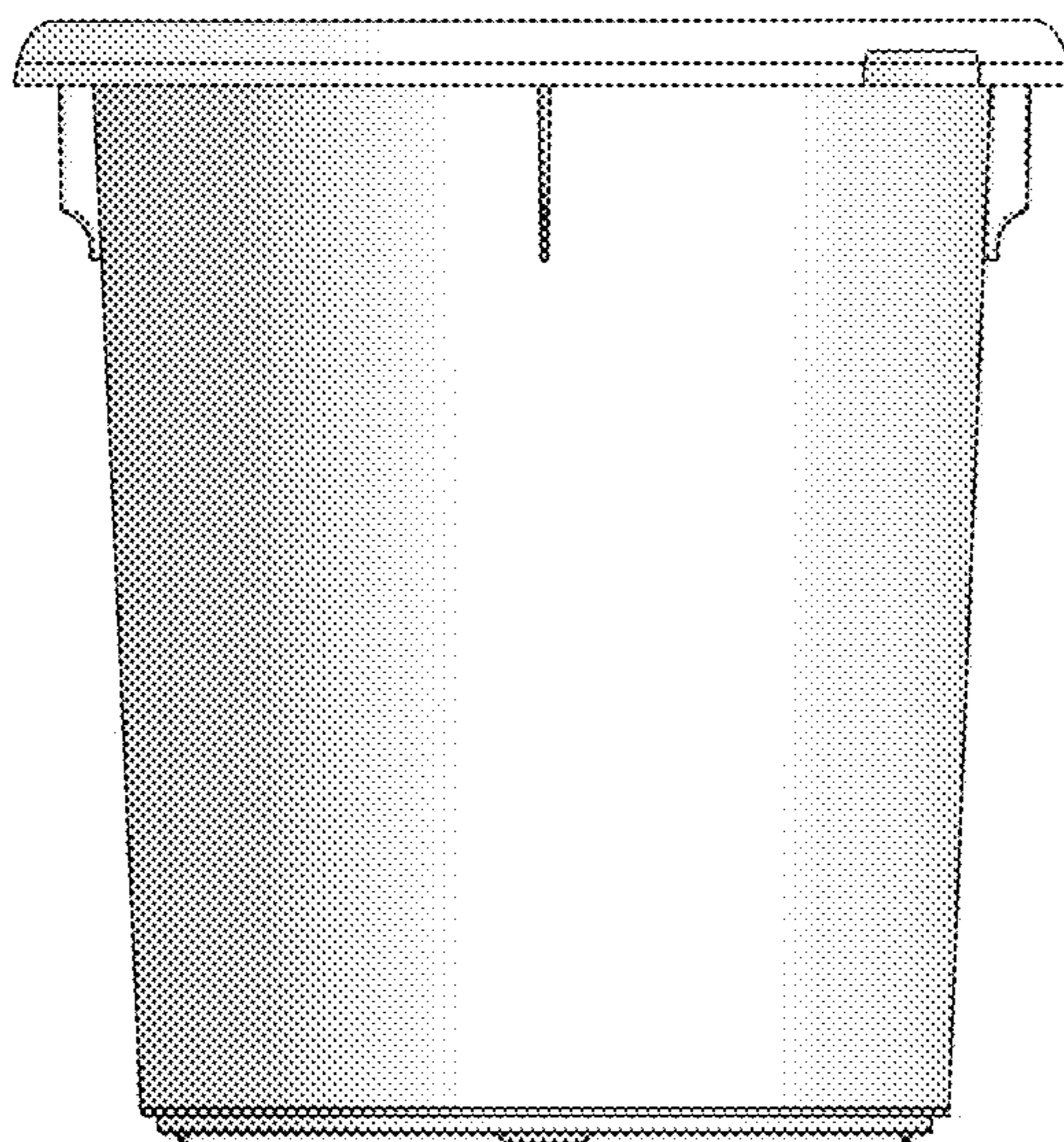


FIG. 3

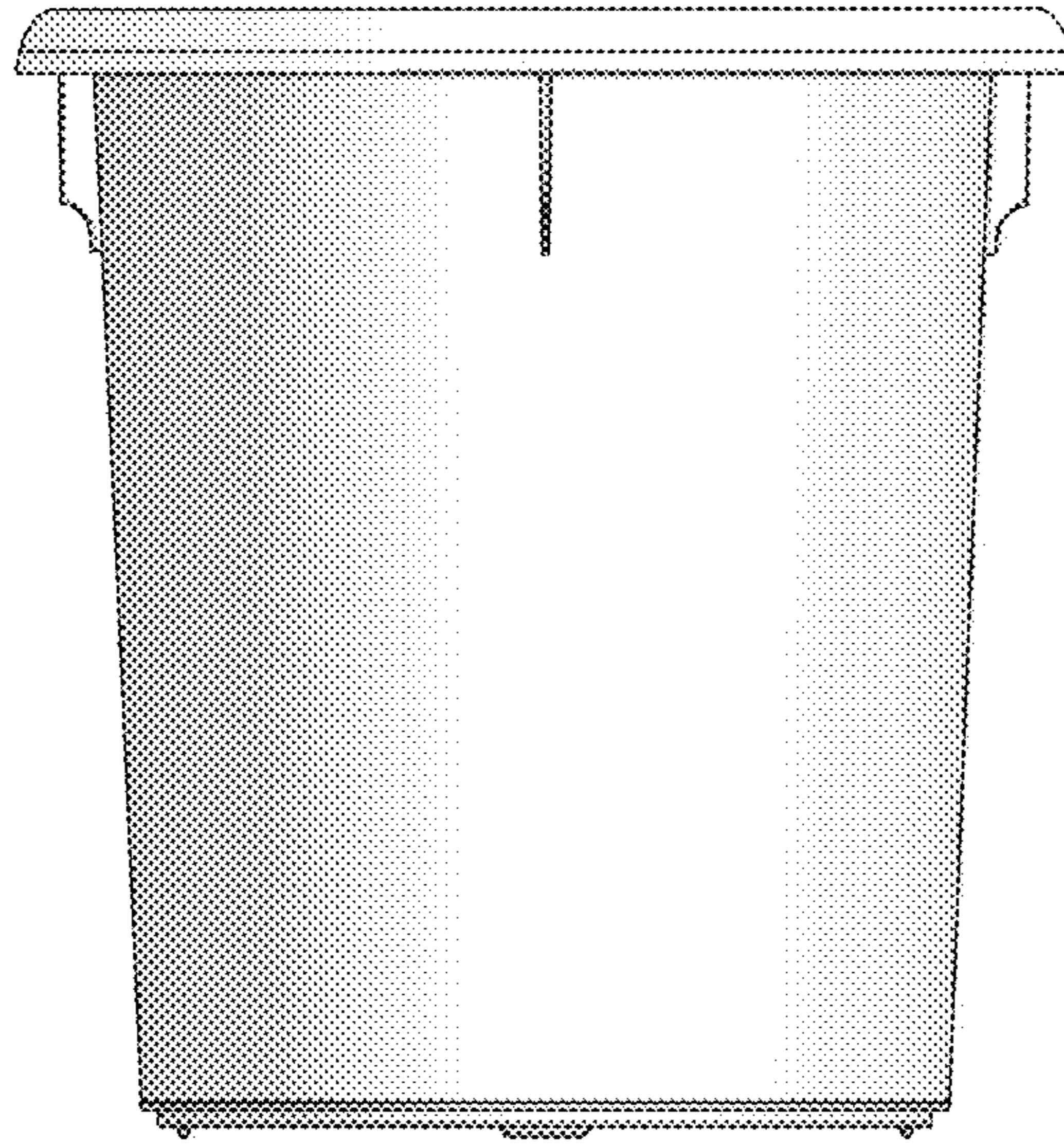


FIG. 4

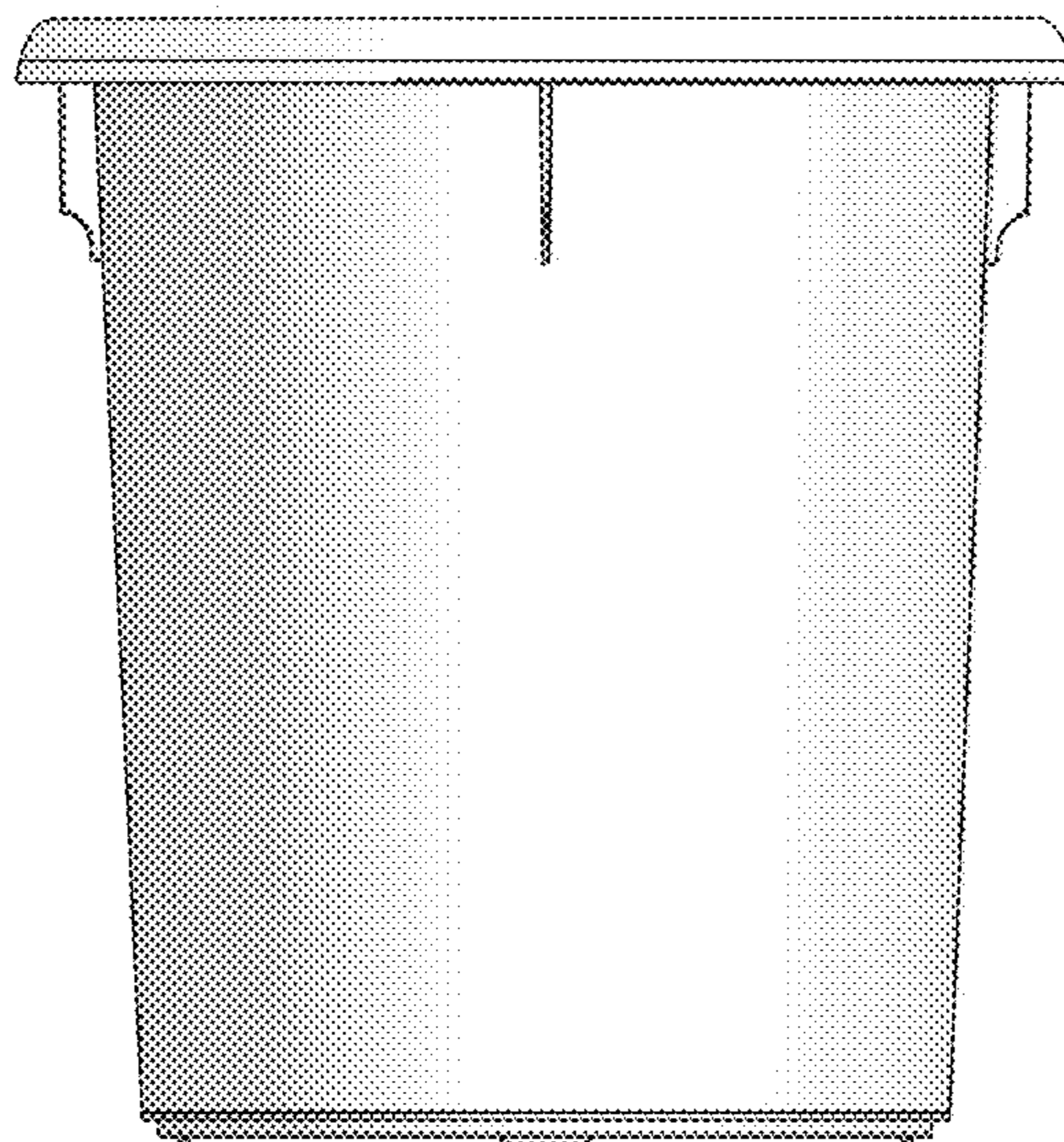


FIG. 5

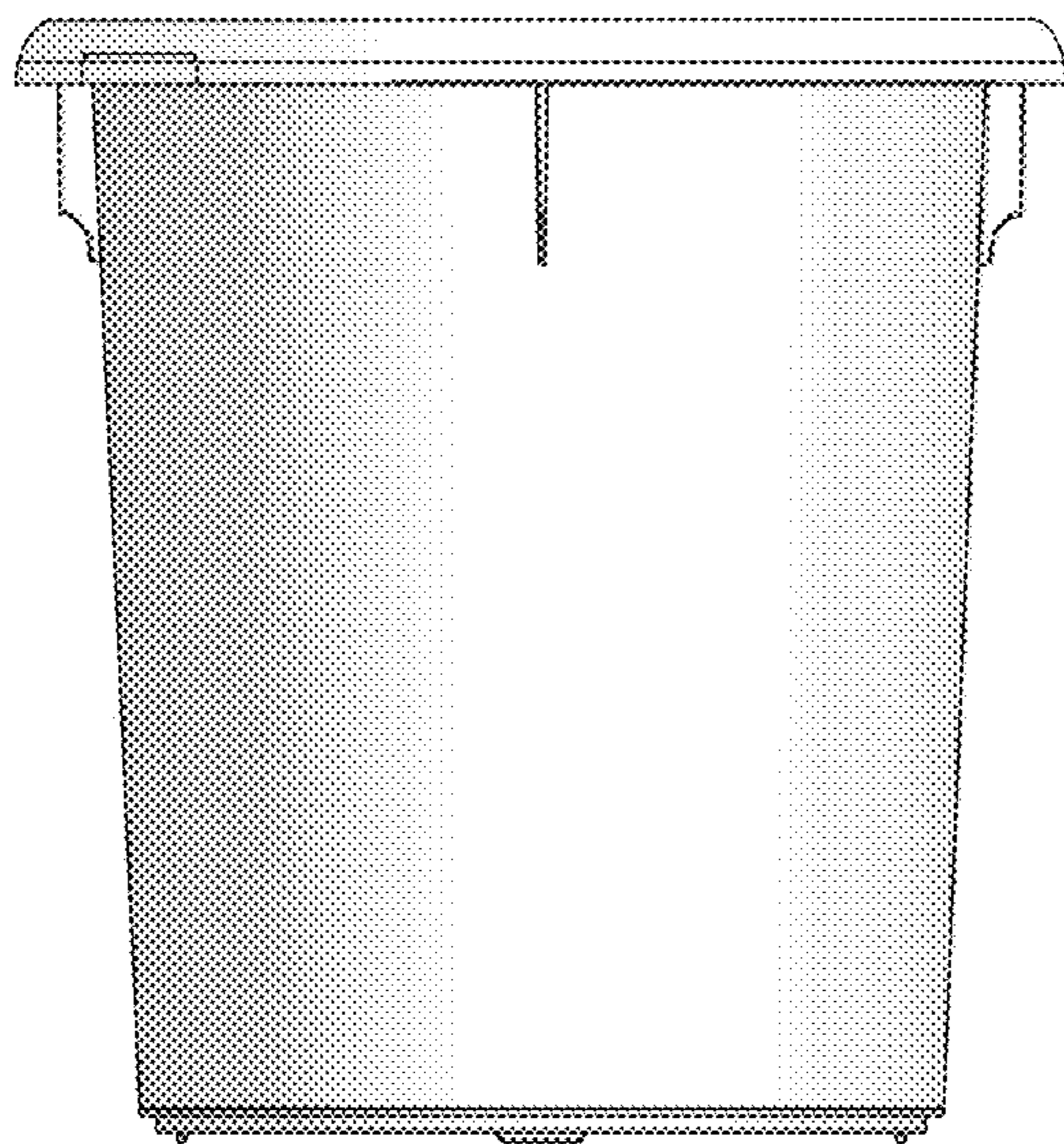


FIG. 6

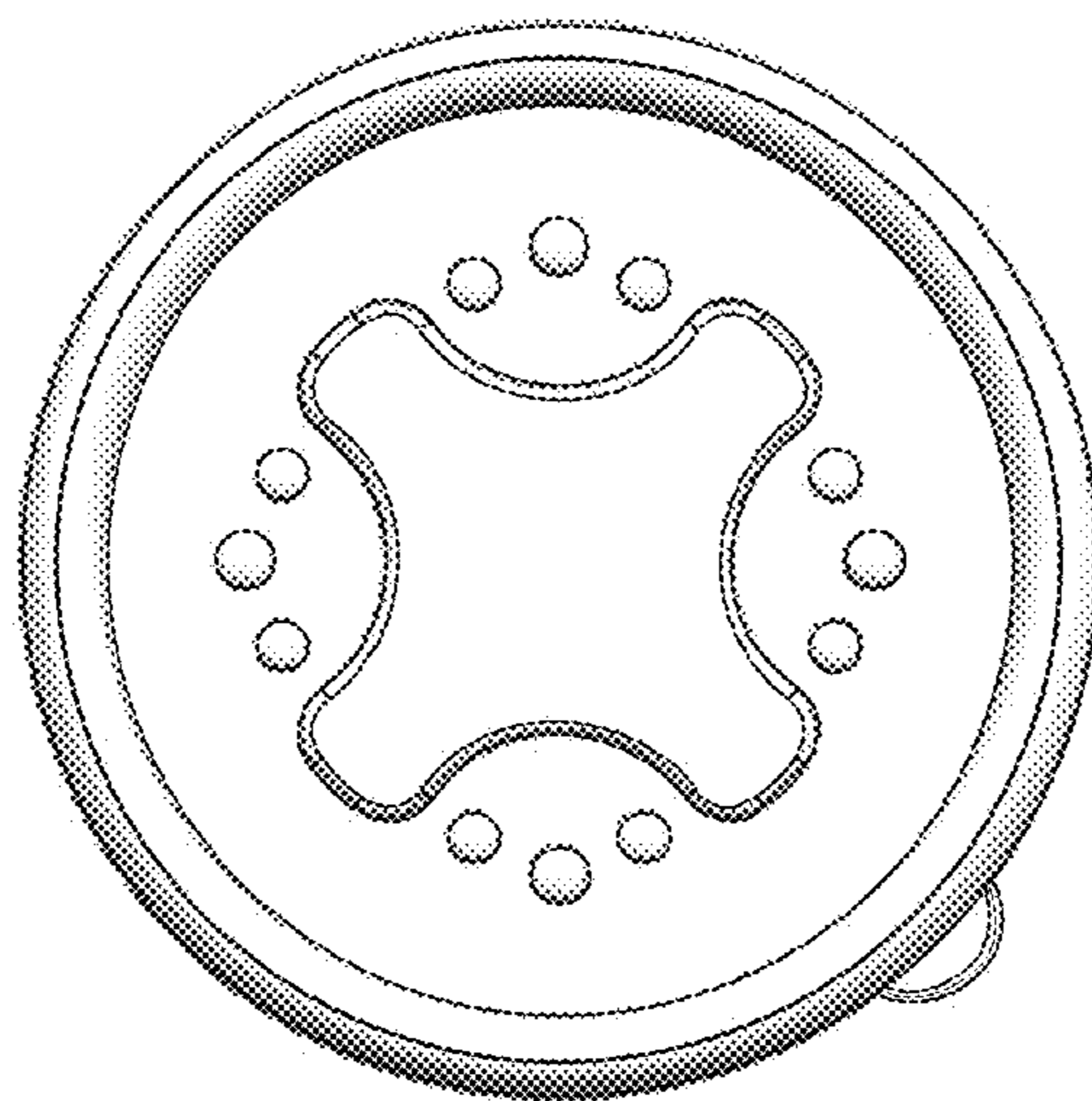


FIG. 7

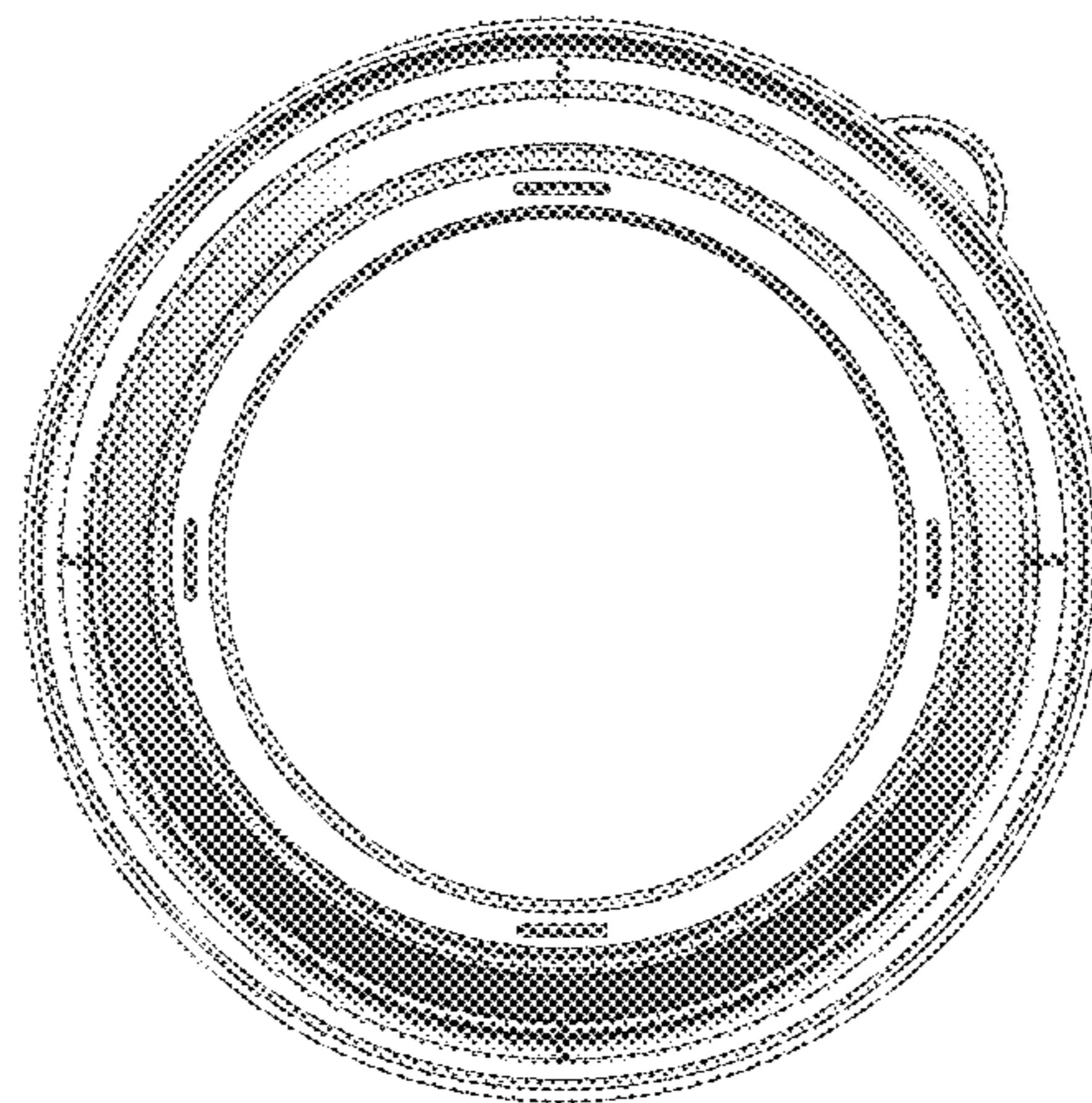


FIG. 8

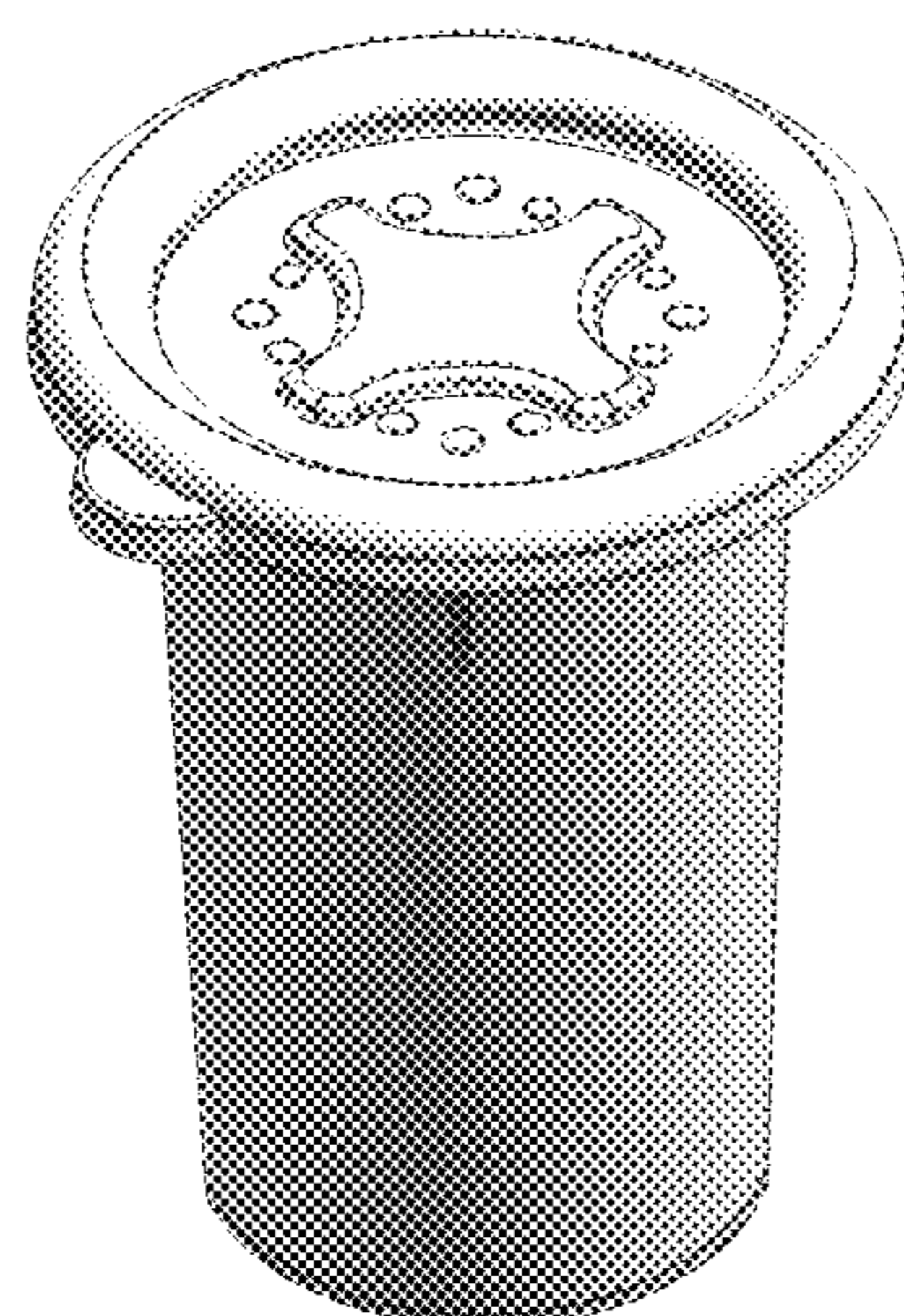


FIG. 9

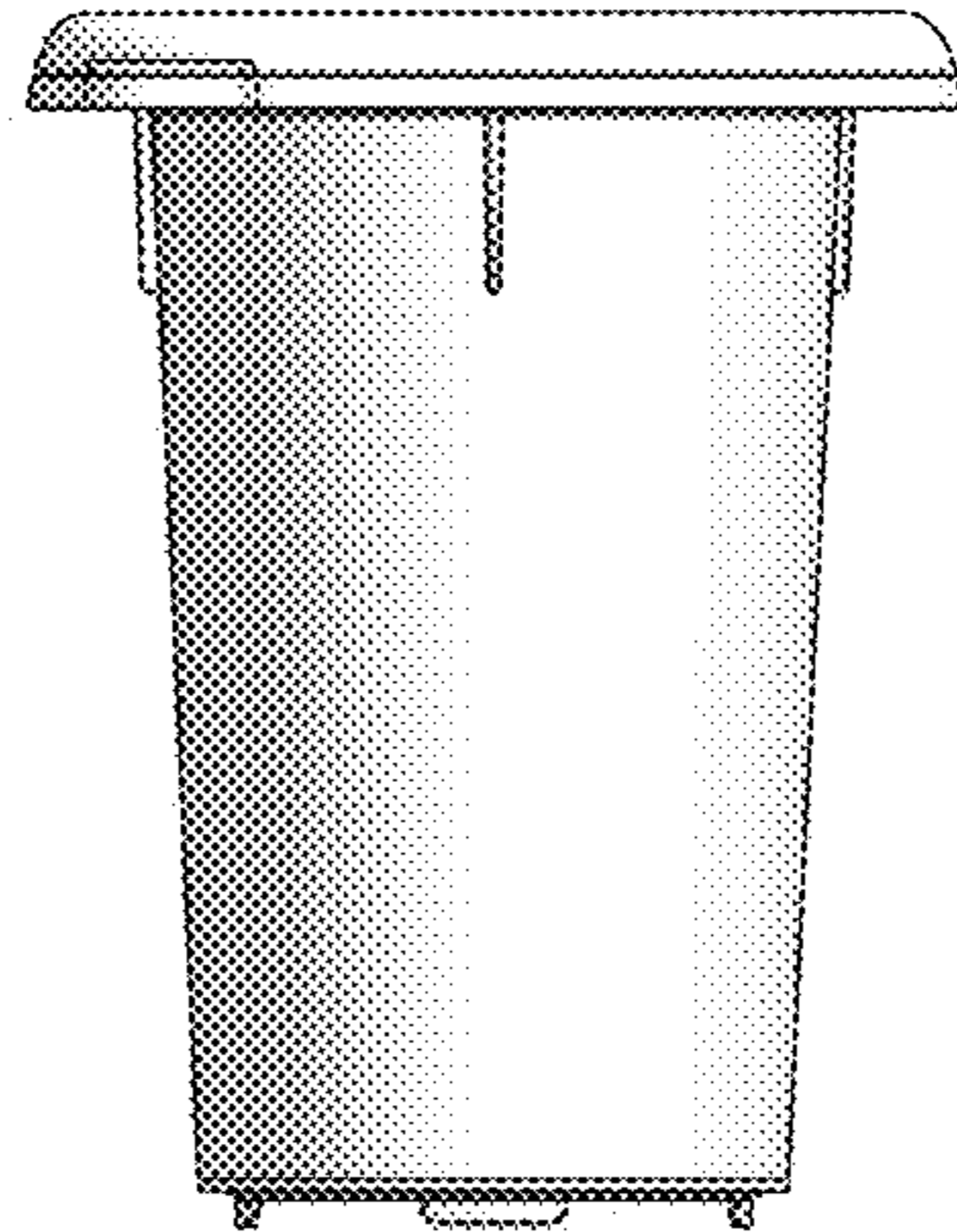


FIG. 10

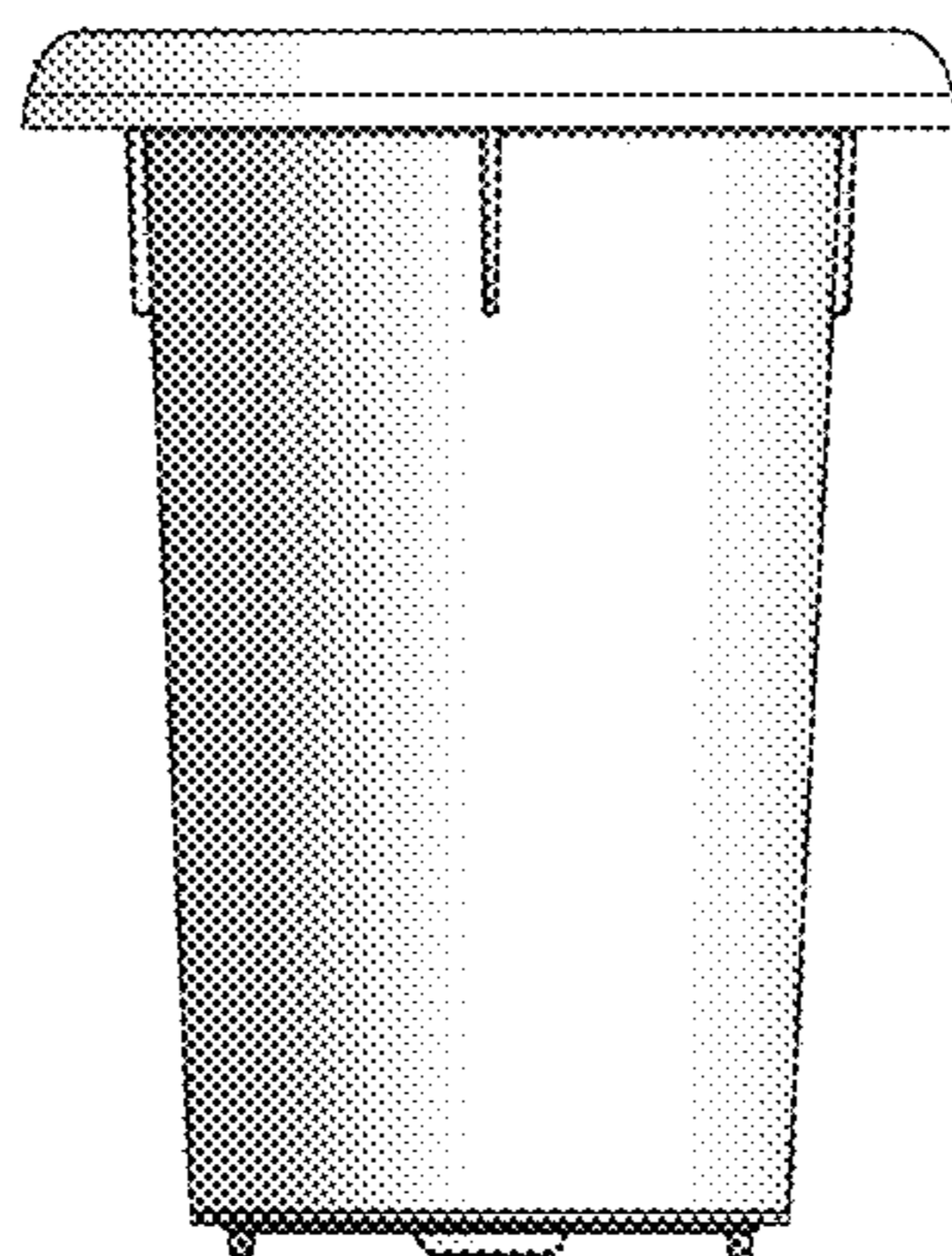


FIG. 11

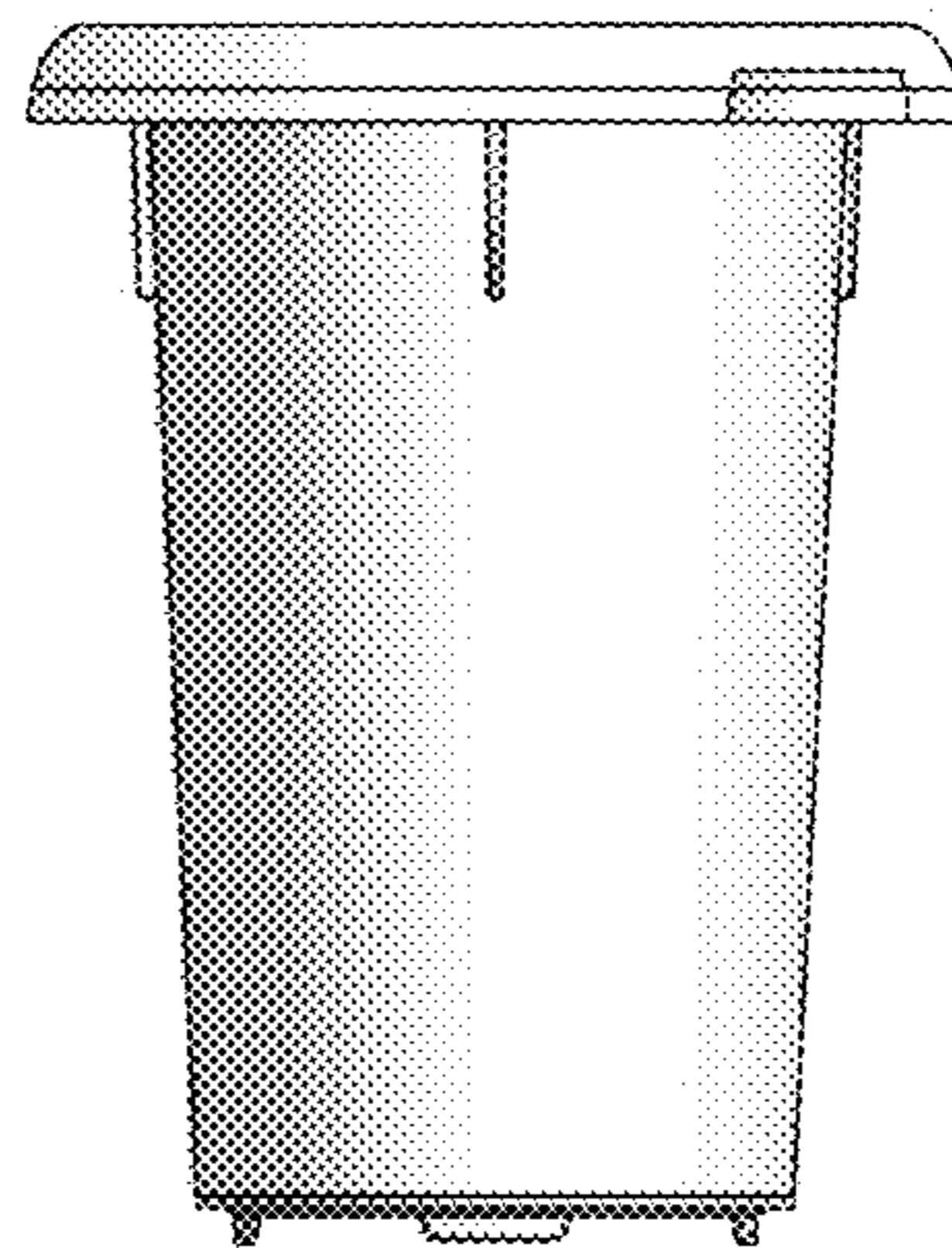


FIG. 12

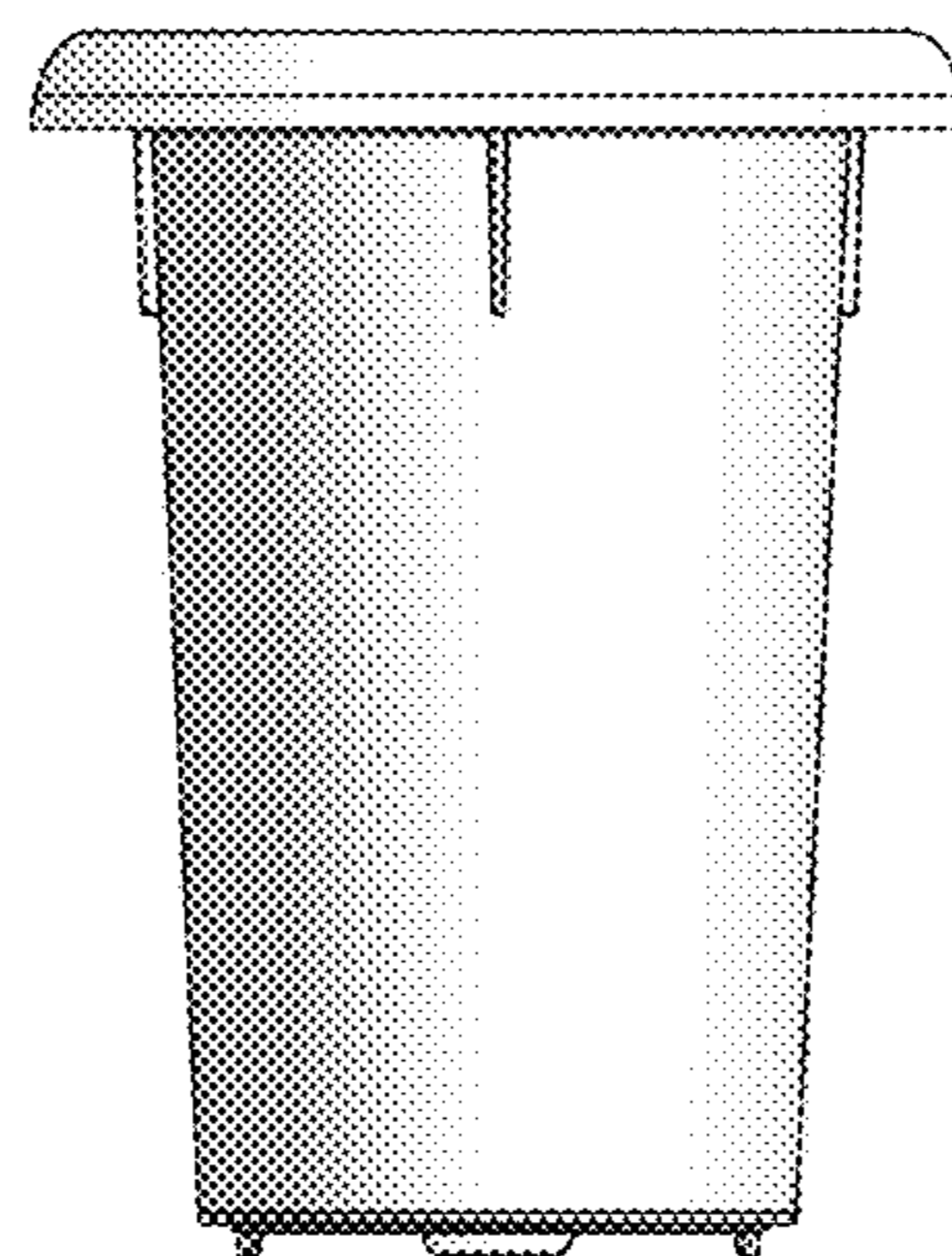


FIG. 13

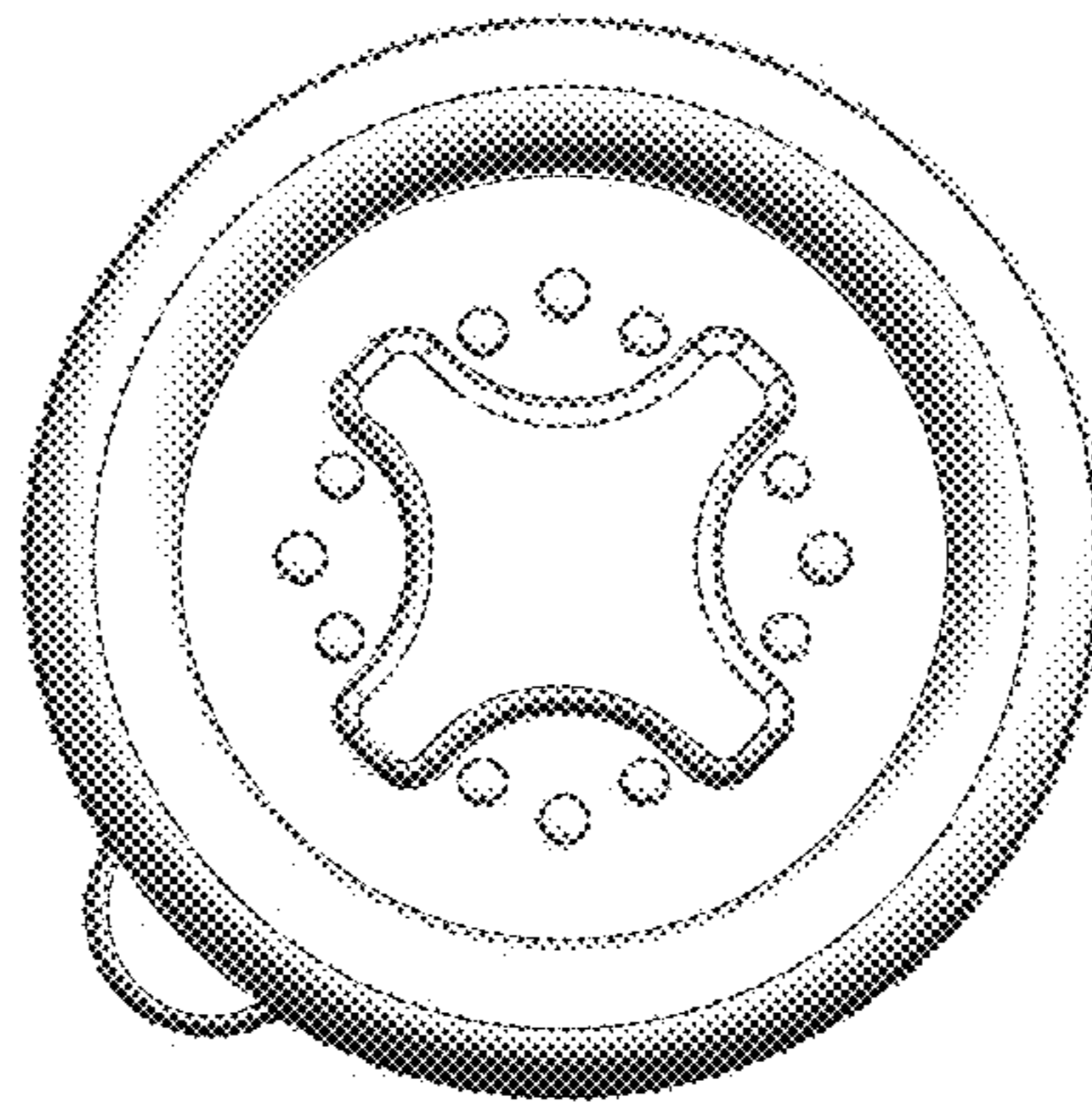


FIG. 14

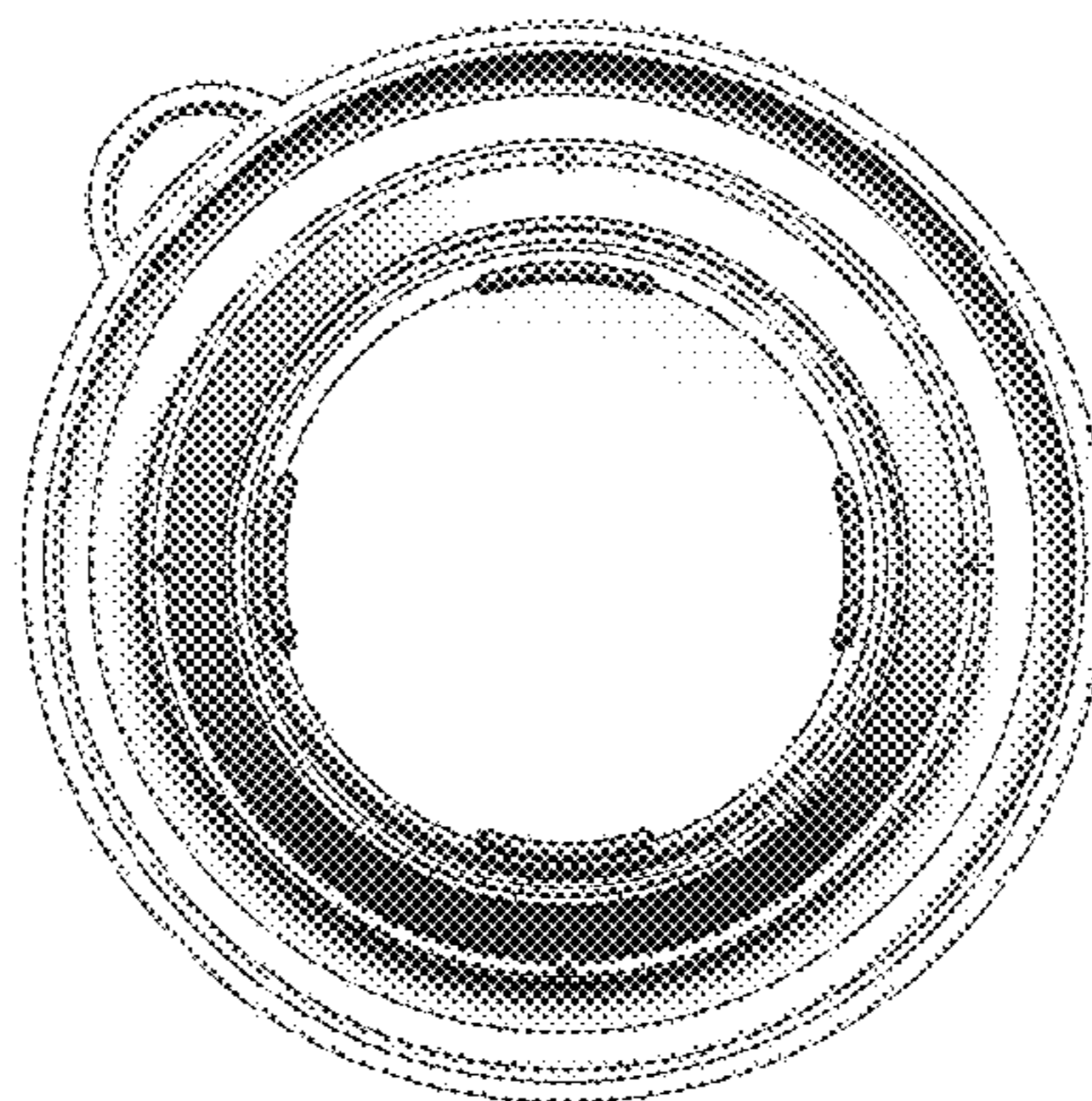


FIG. 15

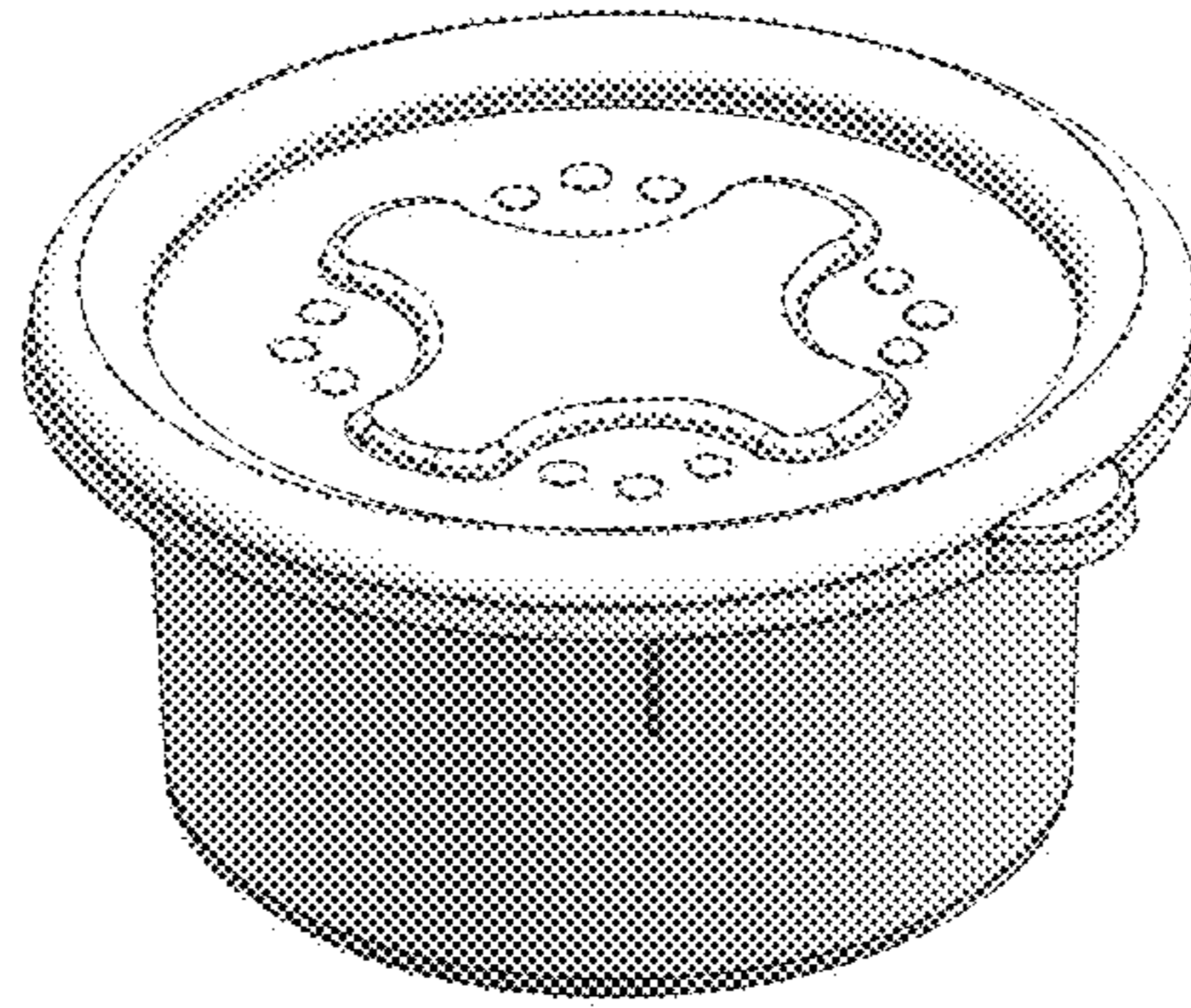


FIG. 16

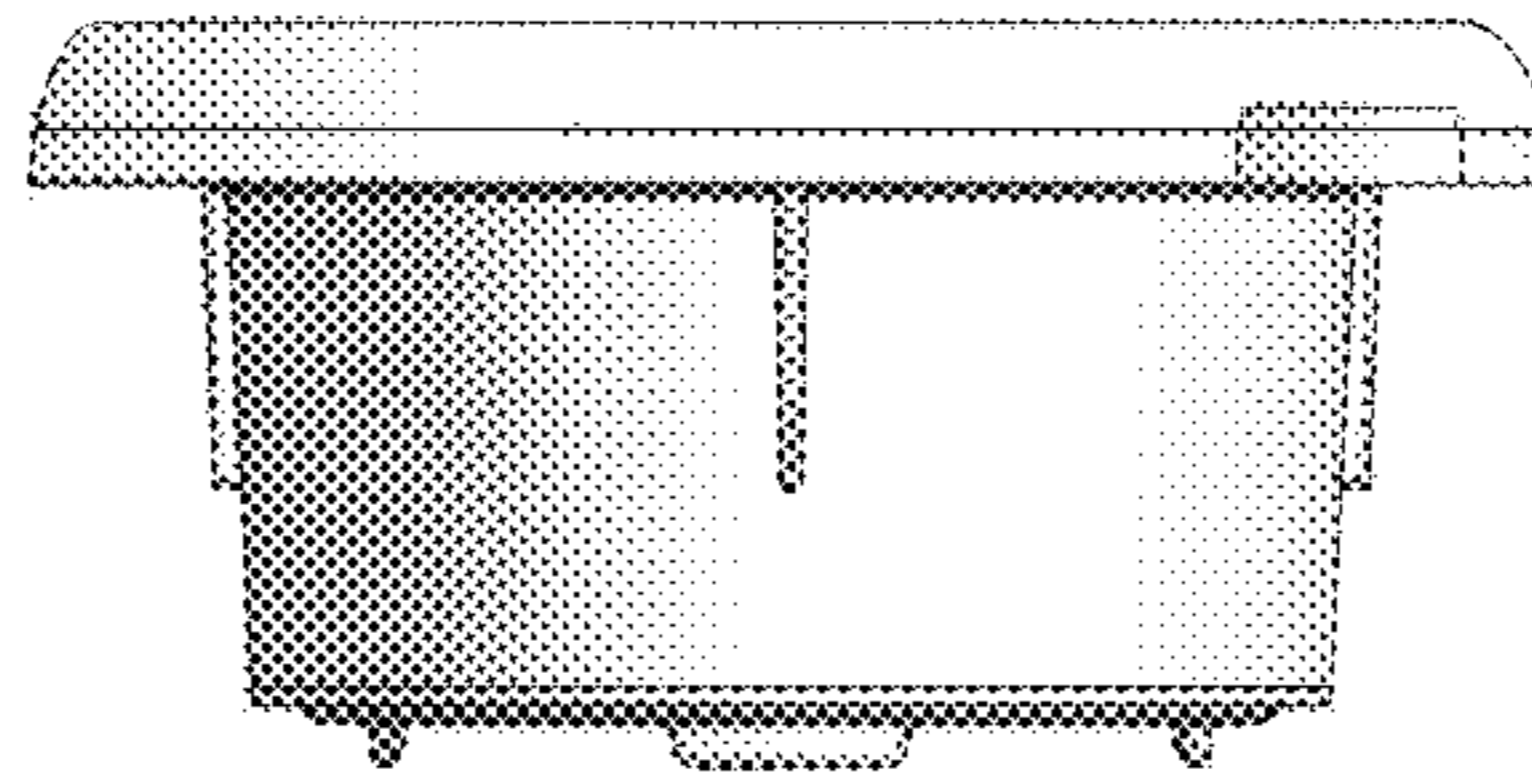


FIG. 17

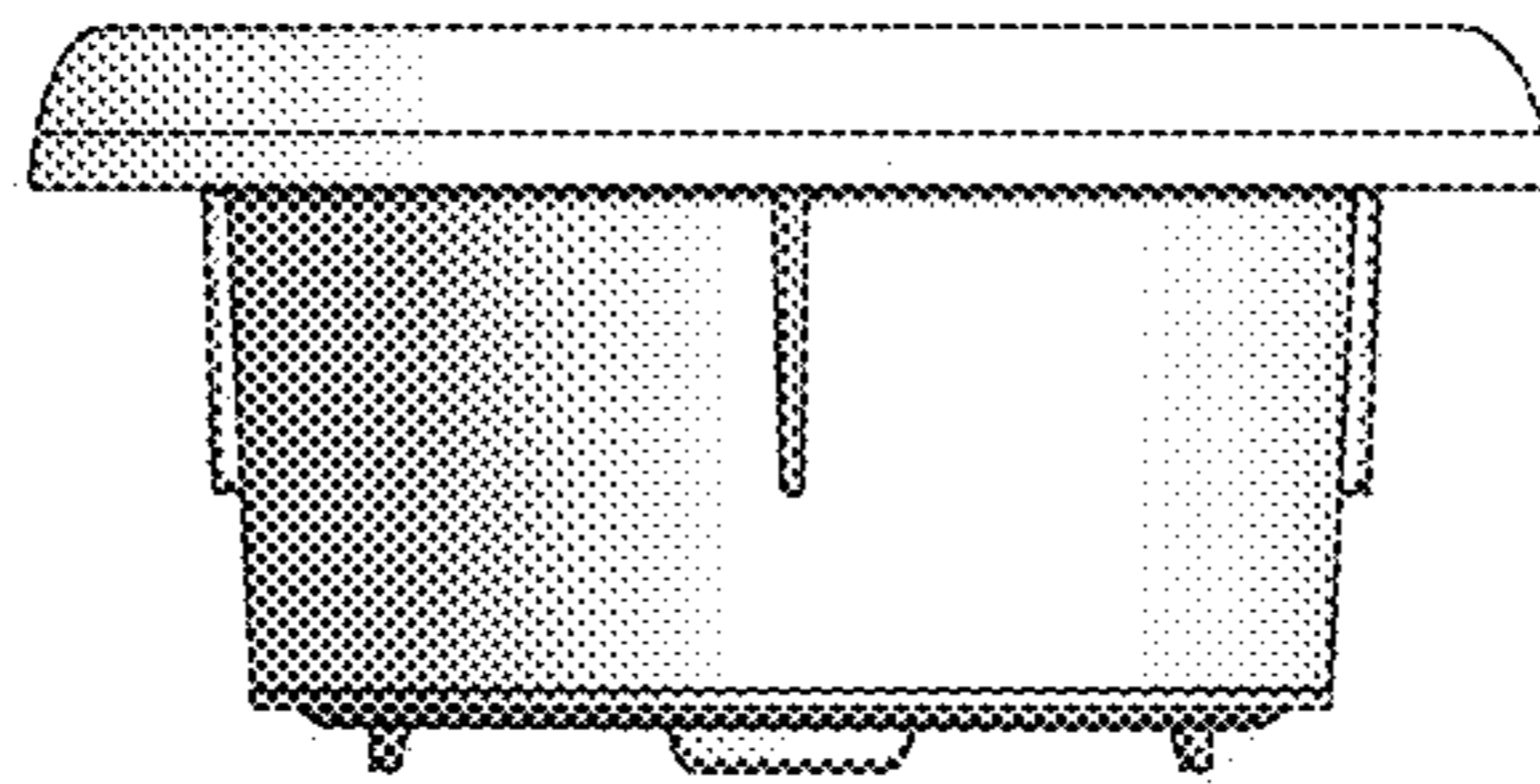


FIG. 18

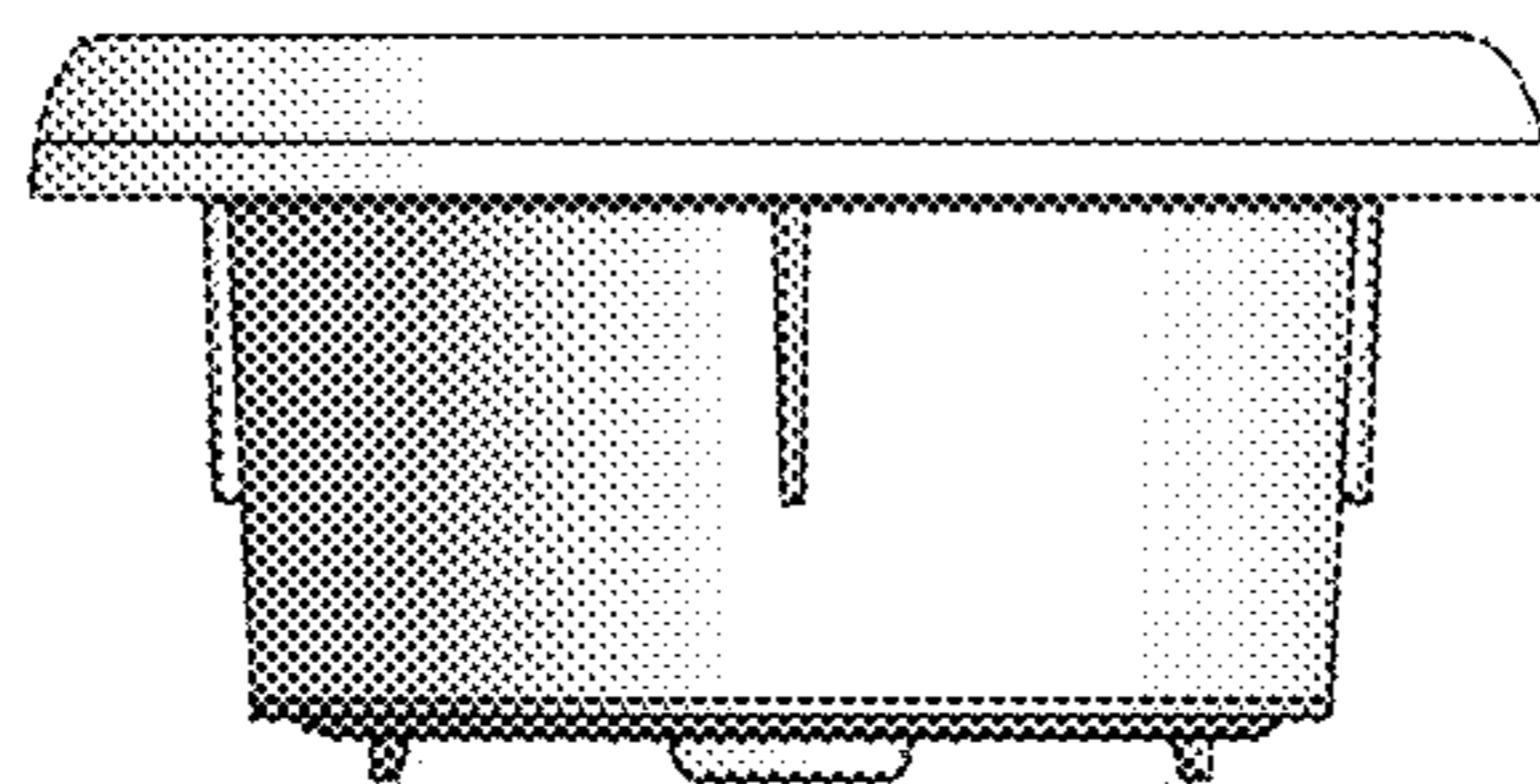


FIG. 19

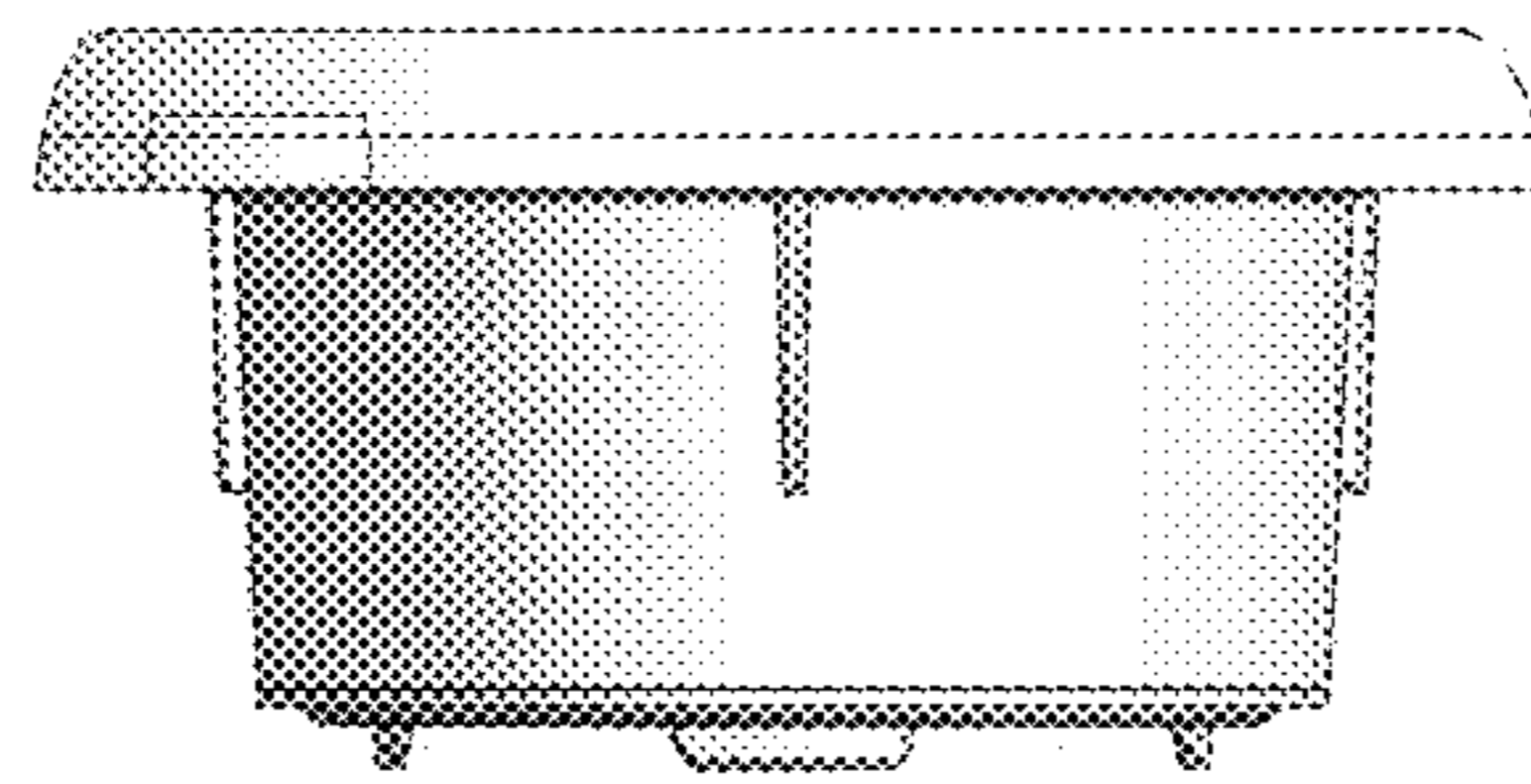


FIG. 20

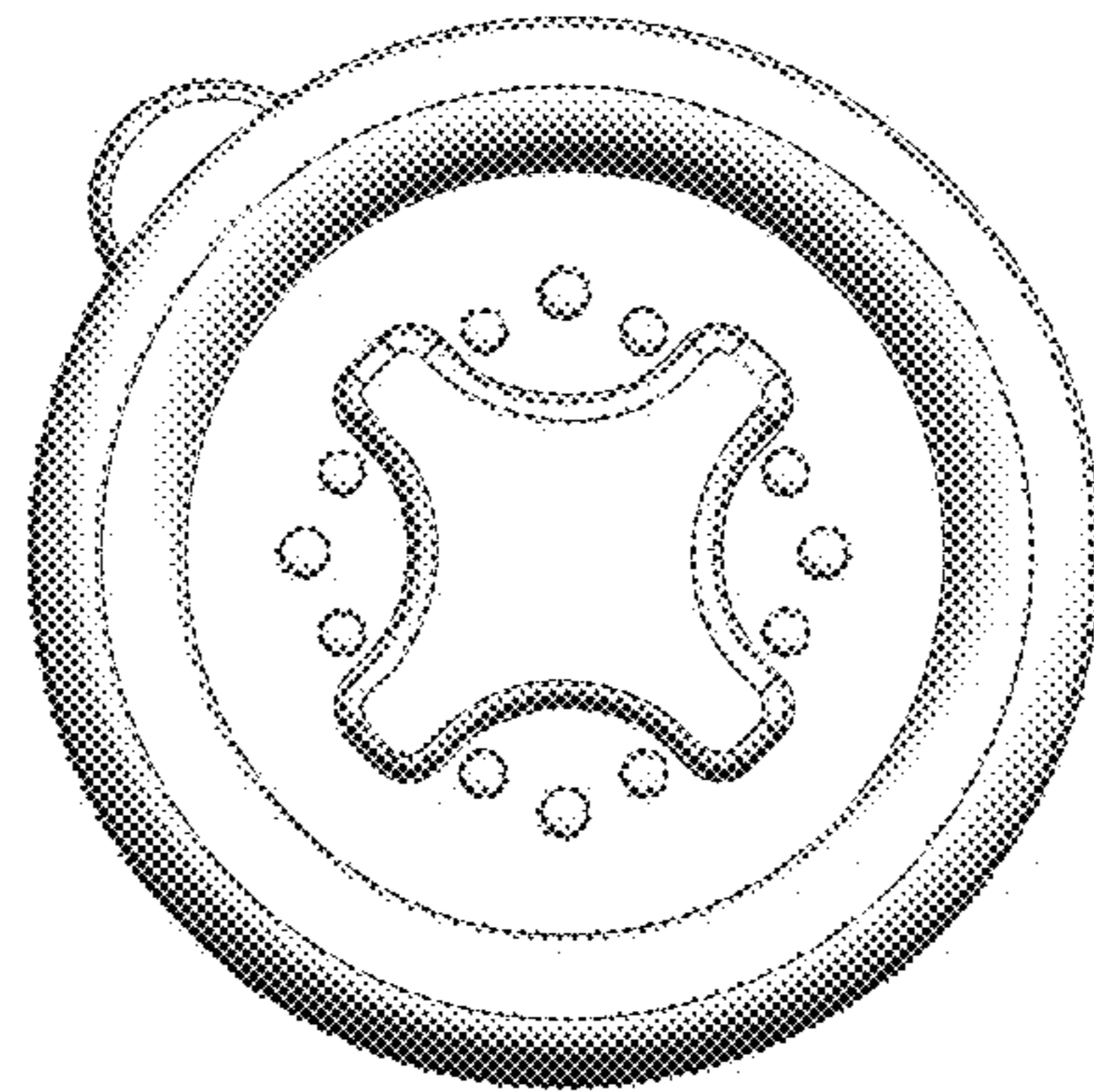


FIG. 21

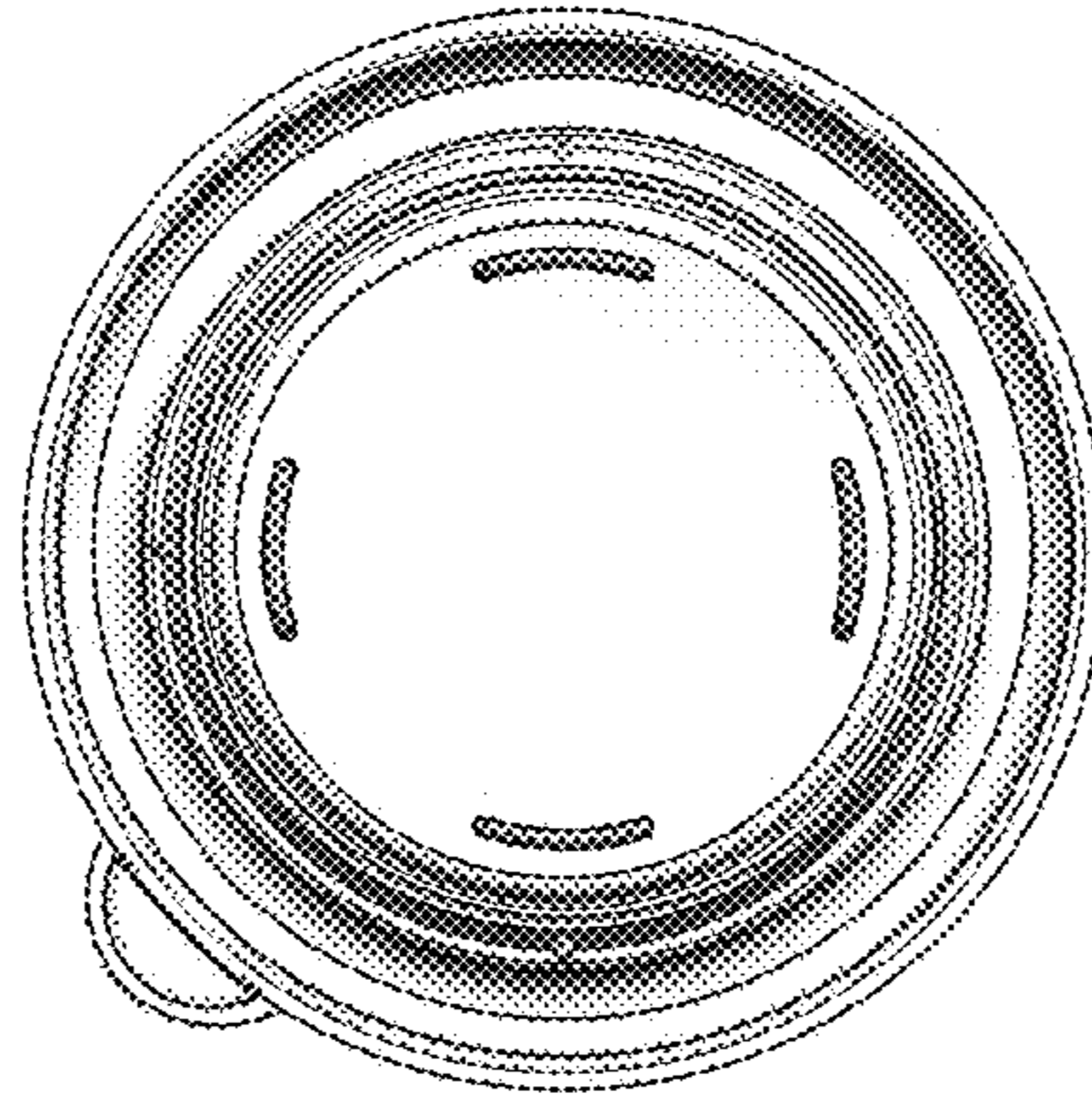


FIG. 22

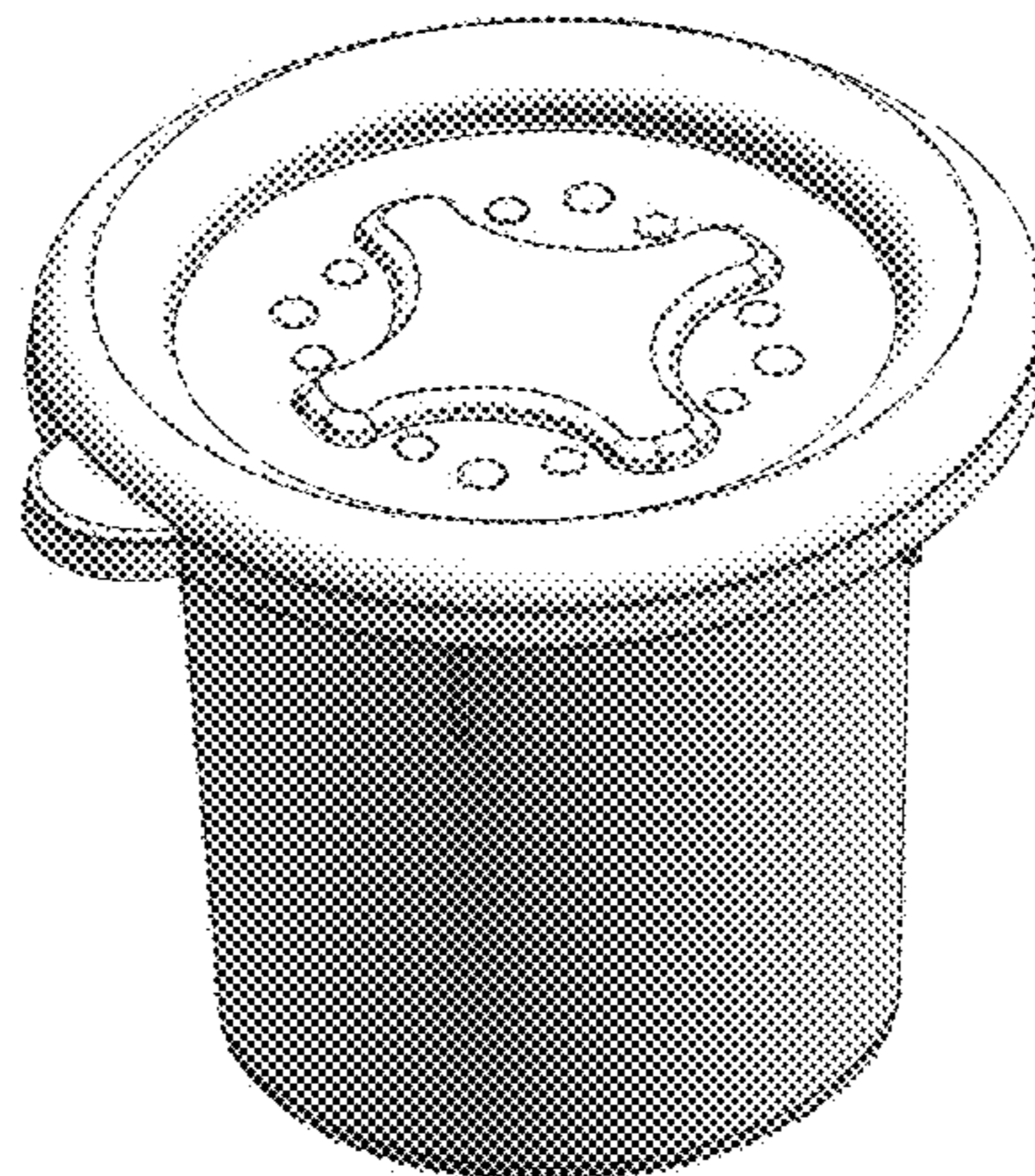


FIG. 23

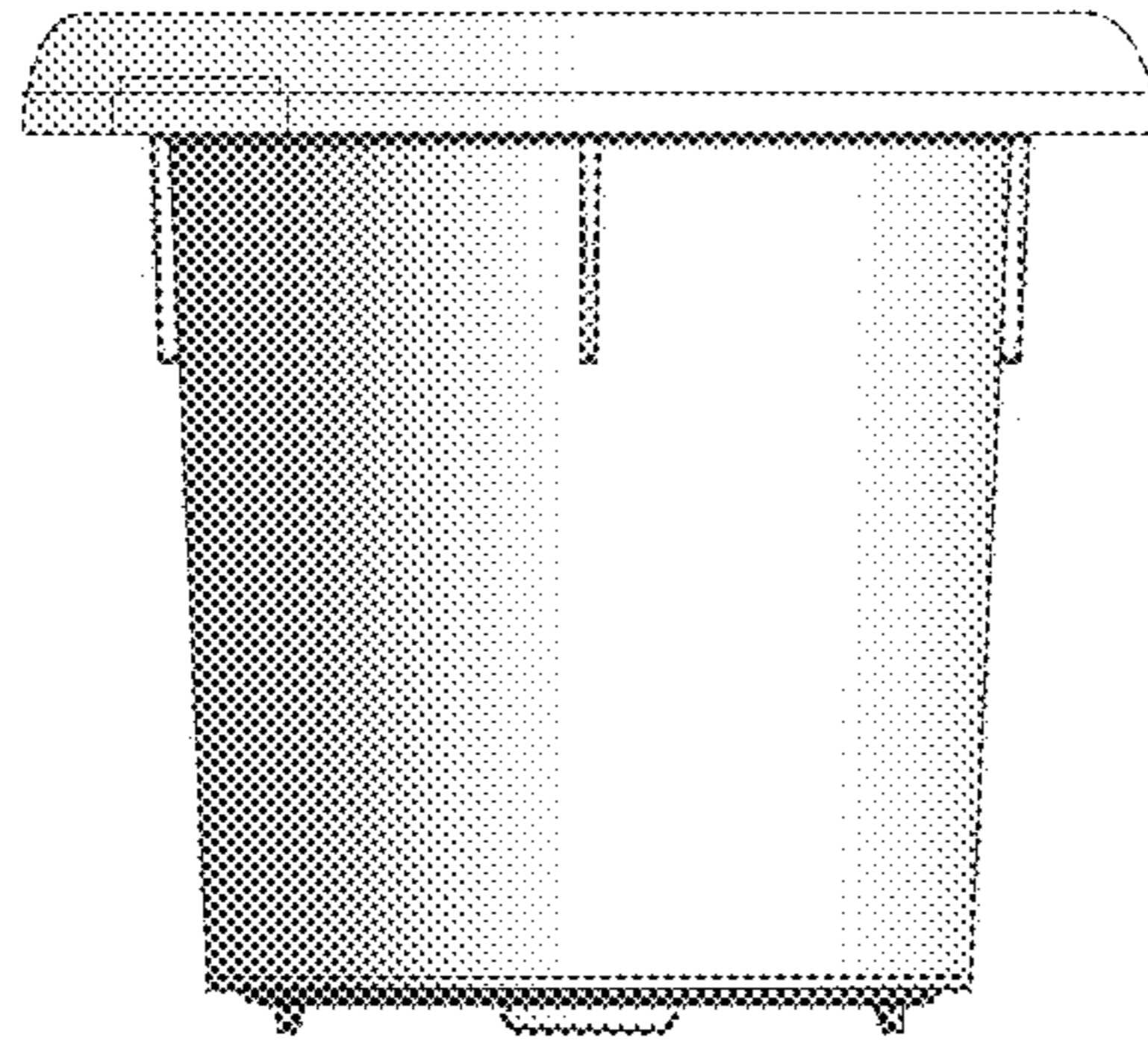


FIG. 24

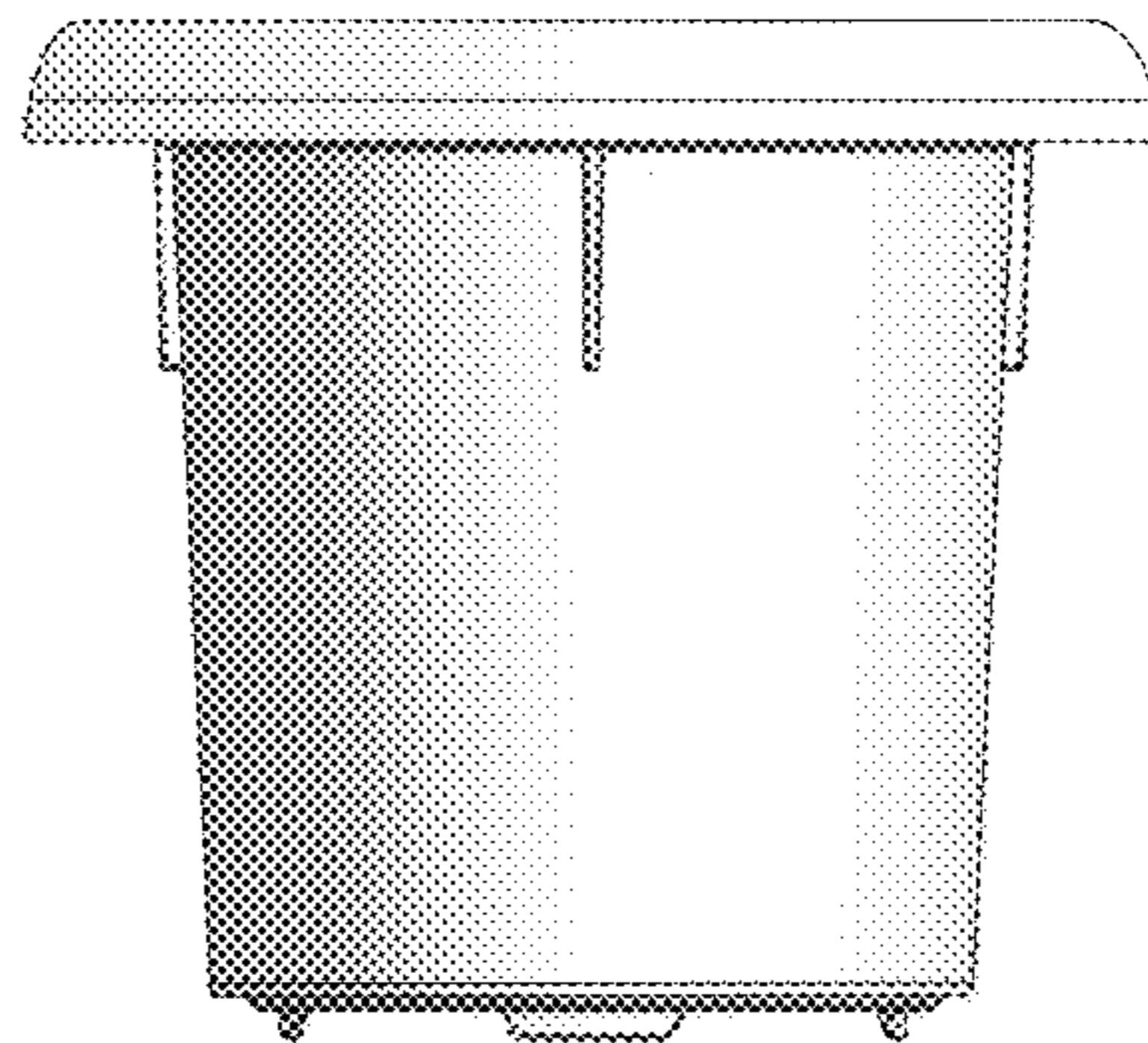


FIG. 25

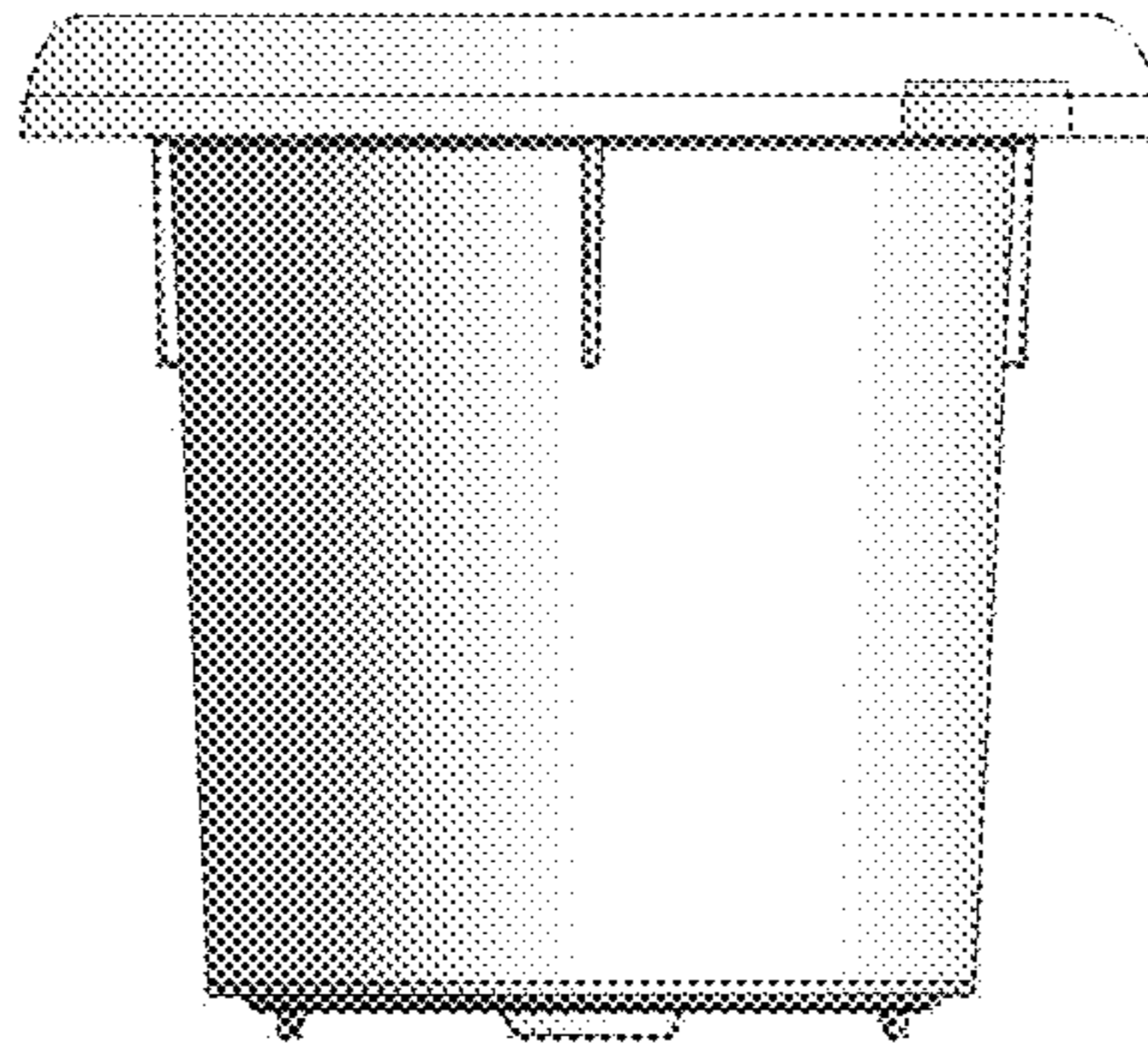


FIG. 26

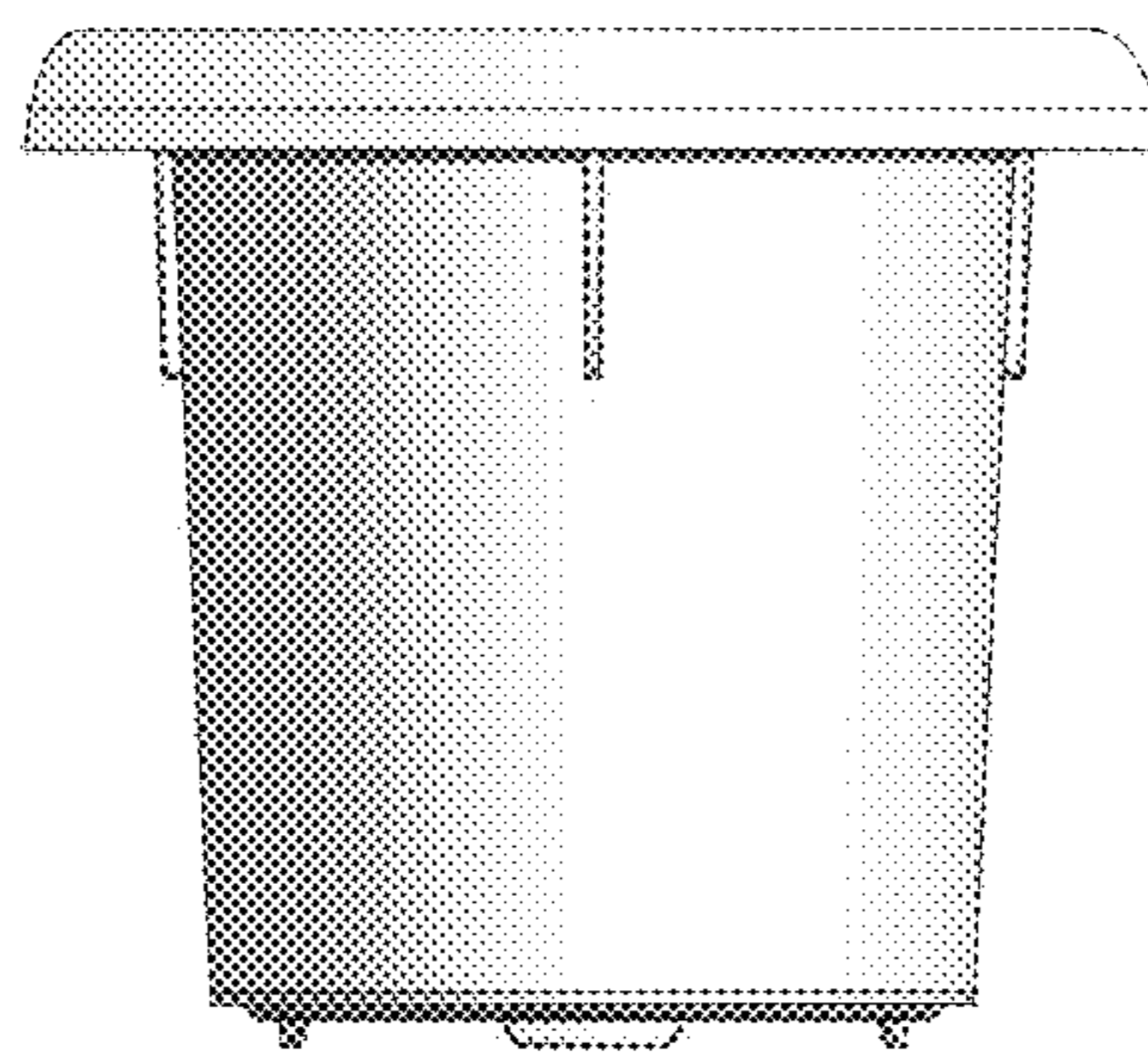


FIG. 27

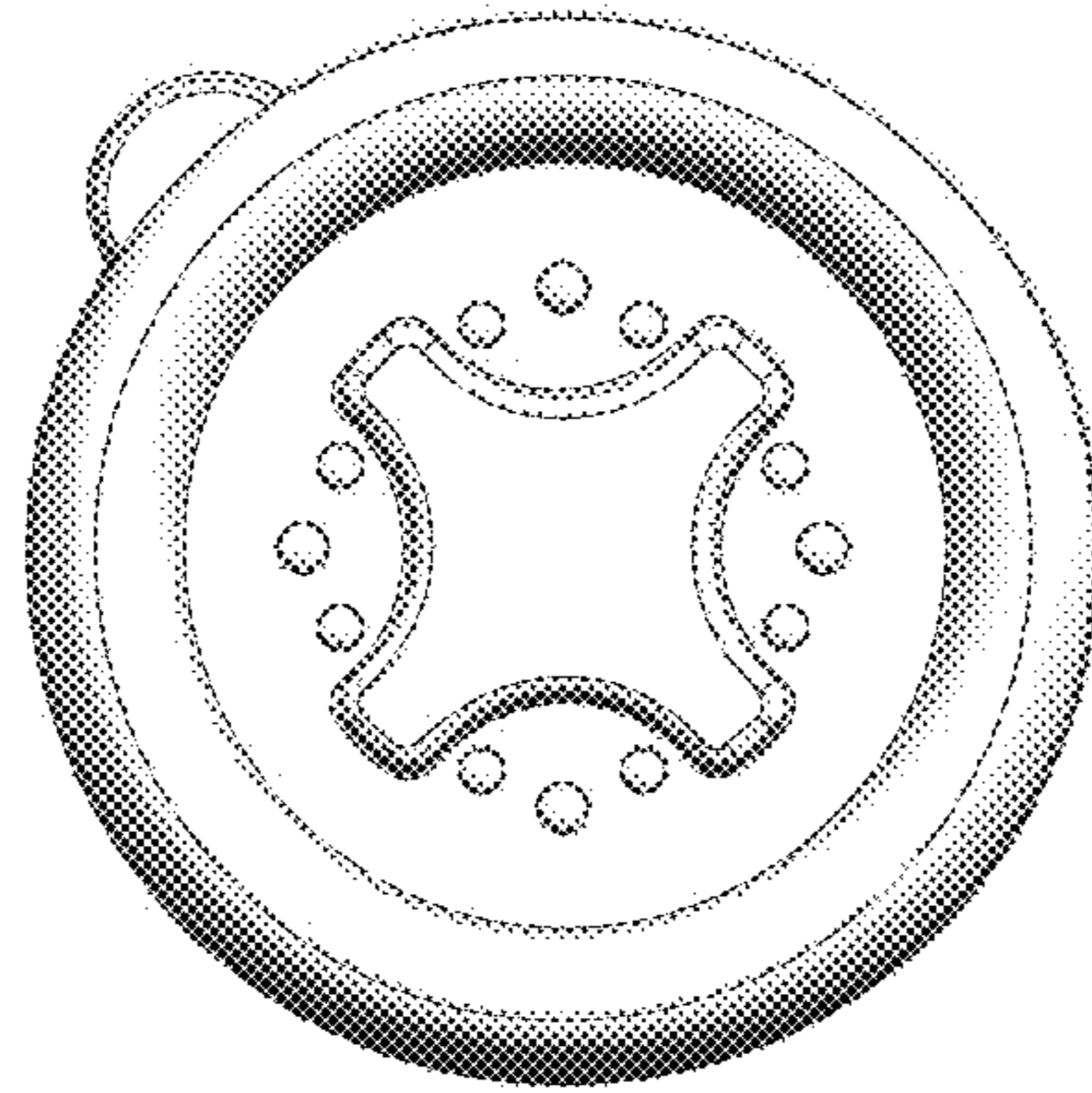


FIG. 28

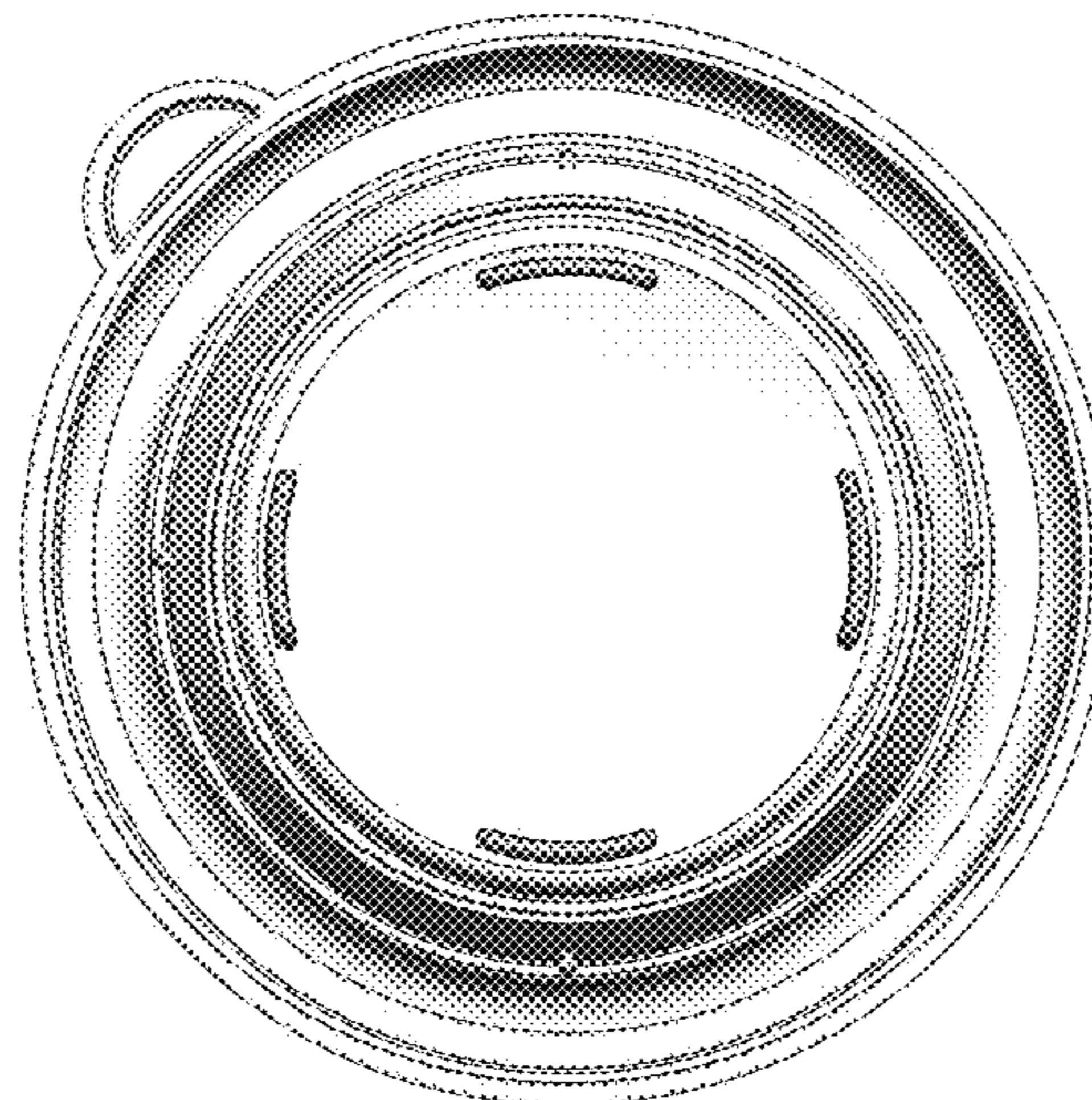


FIG. 29

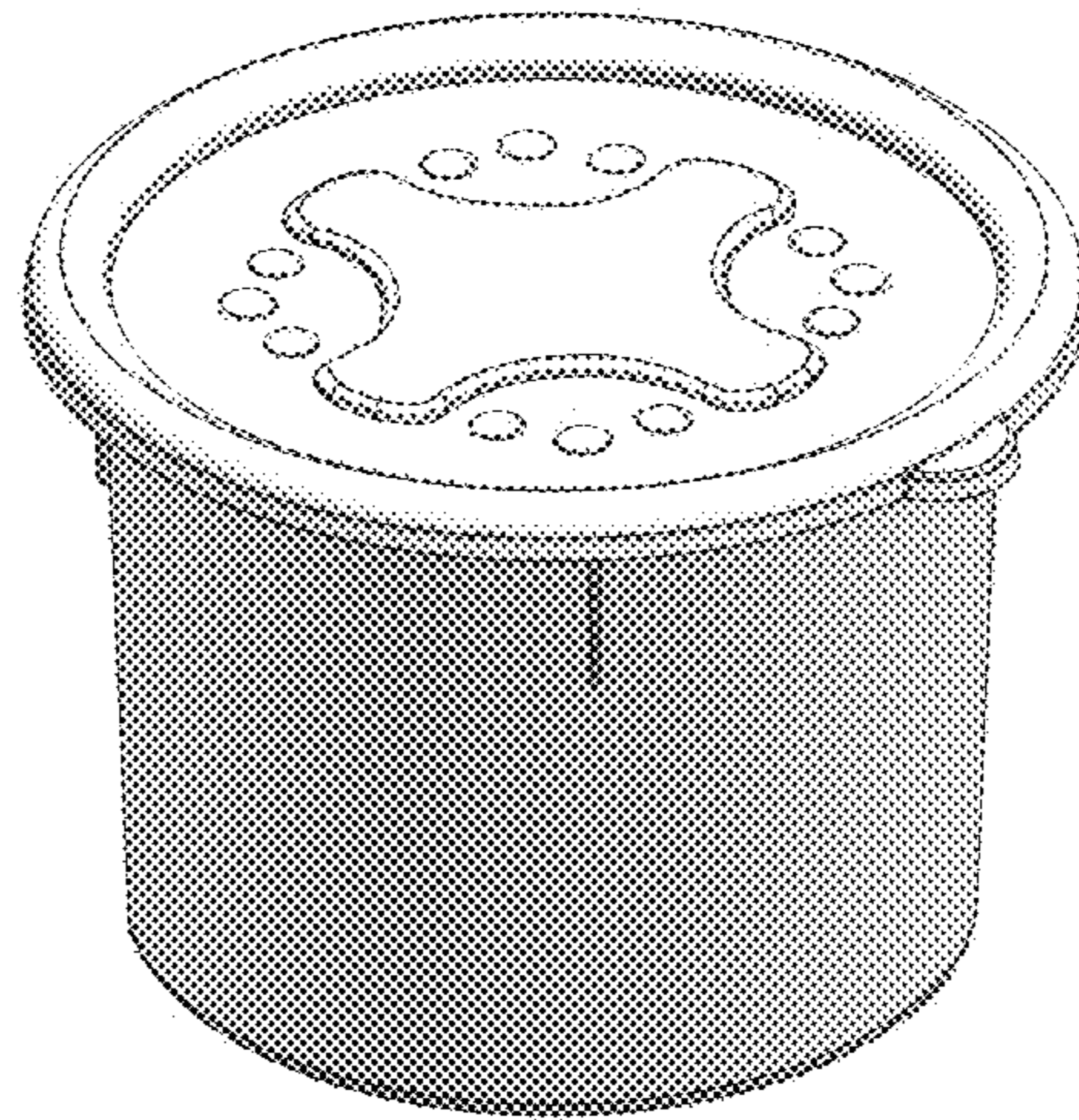


FIG. 30

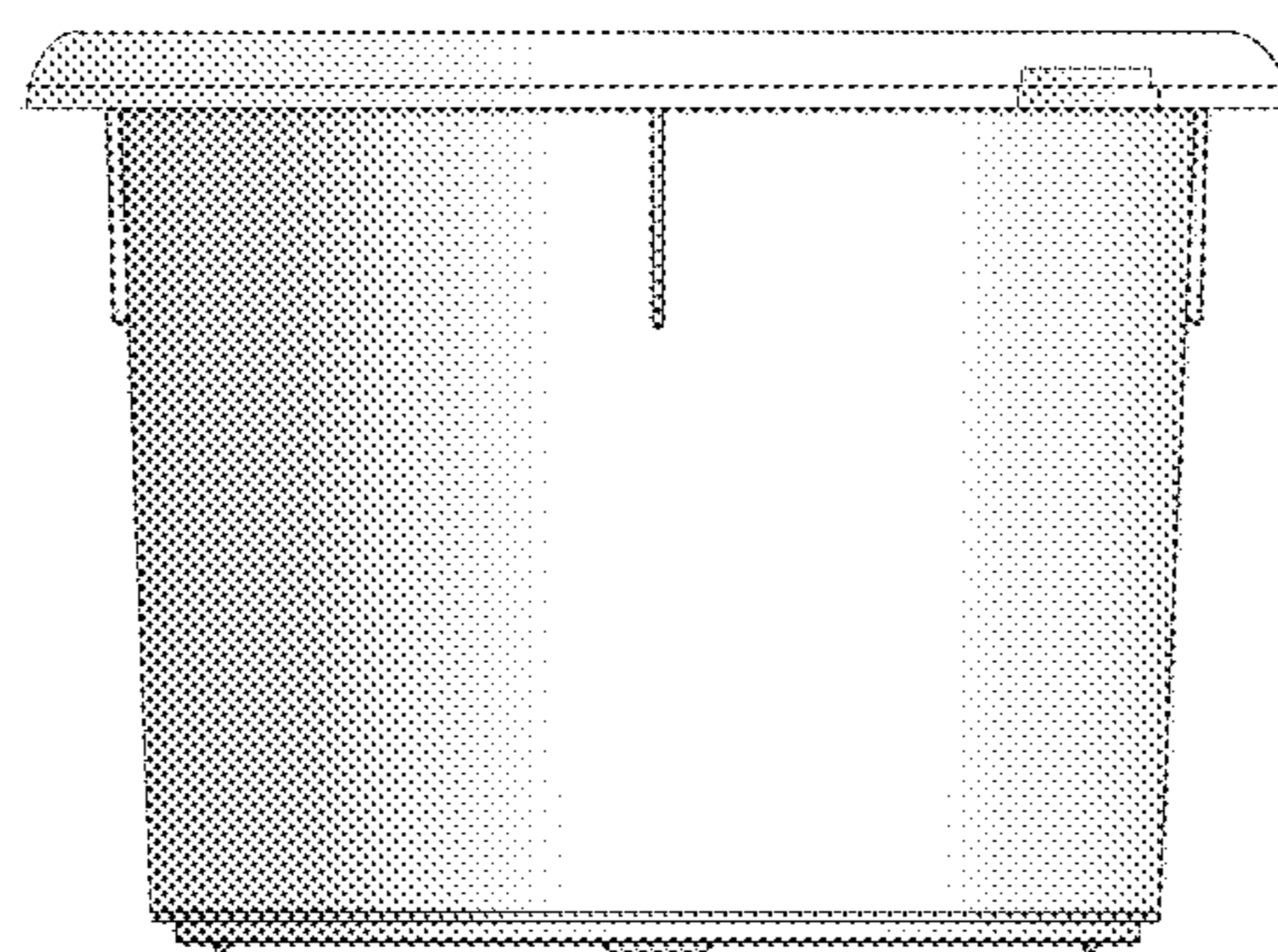


FIG. 31

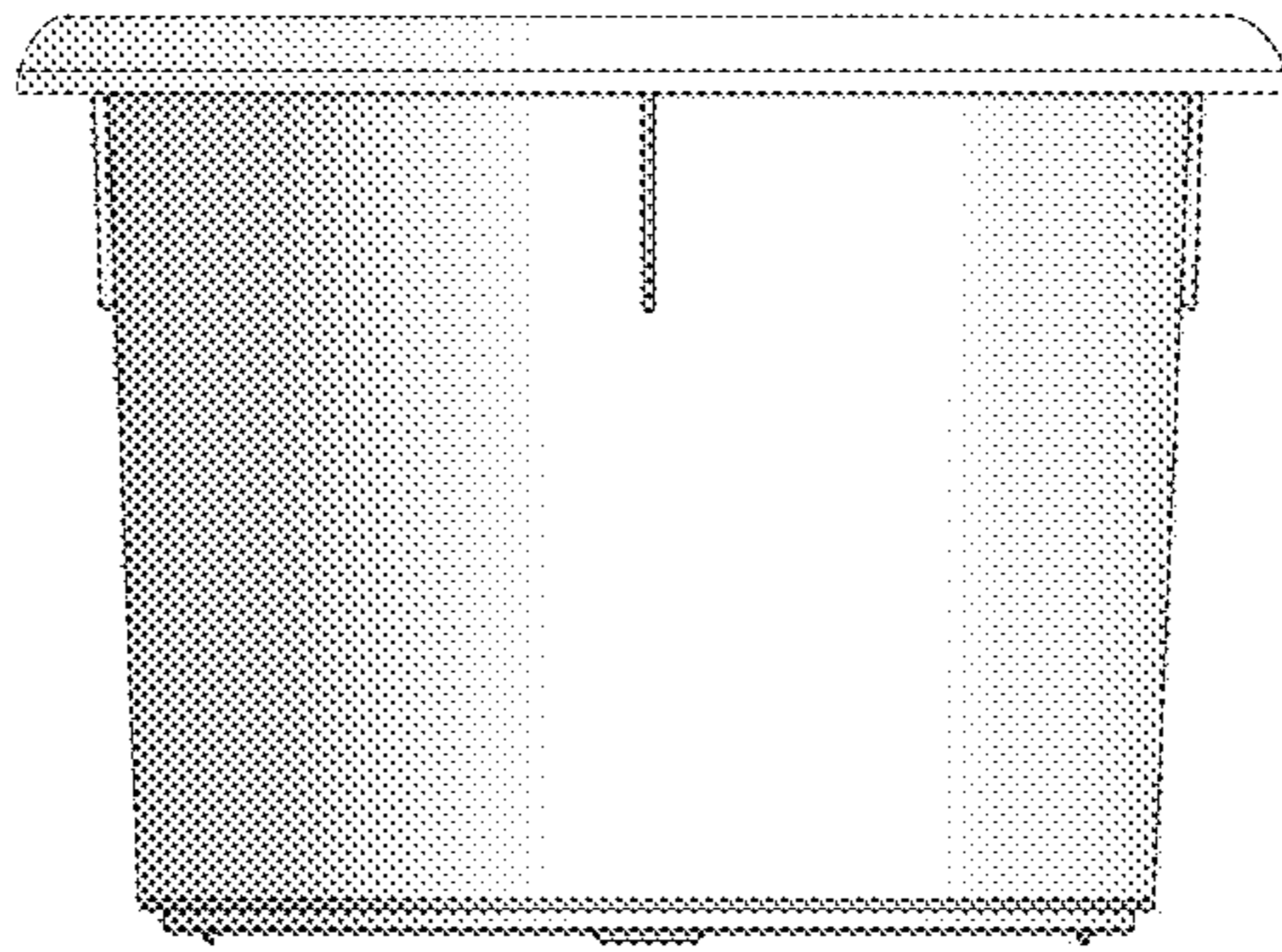


FIG. 32

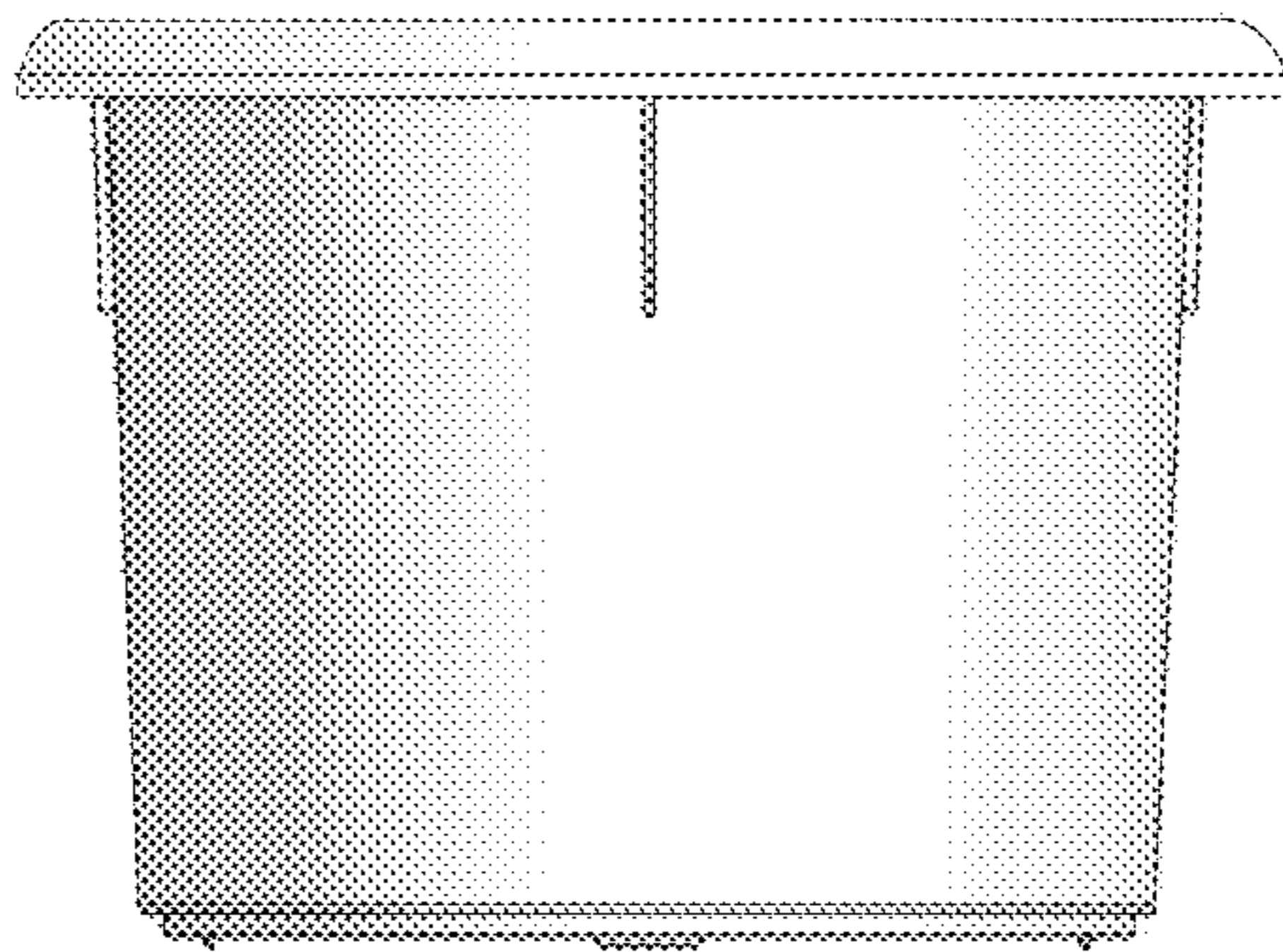


FIG. 33

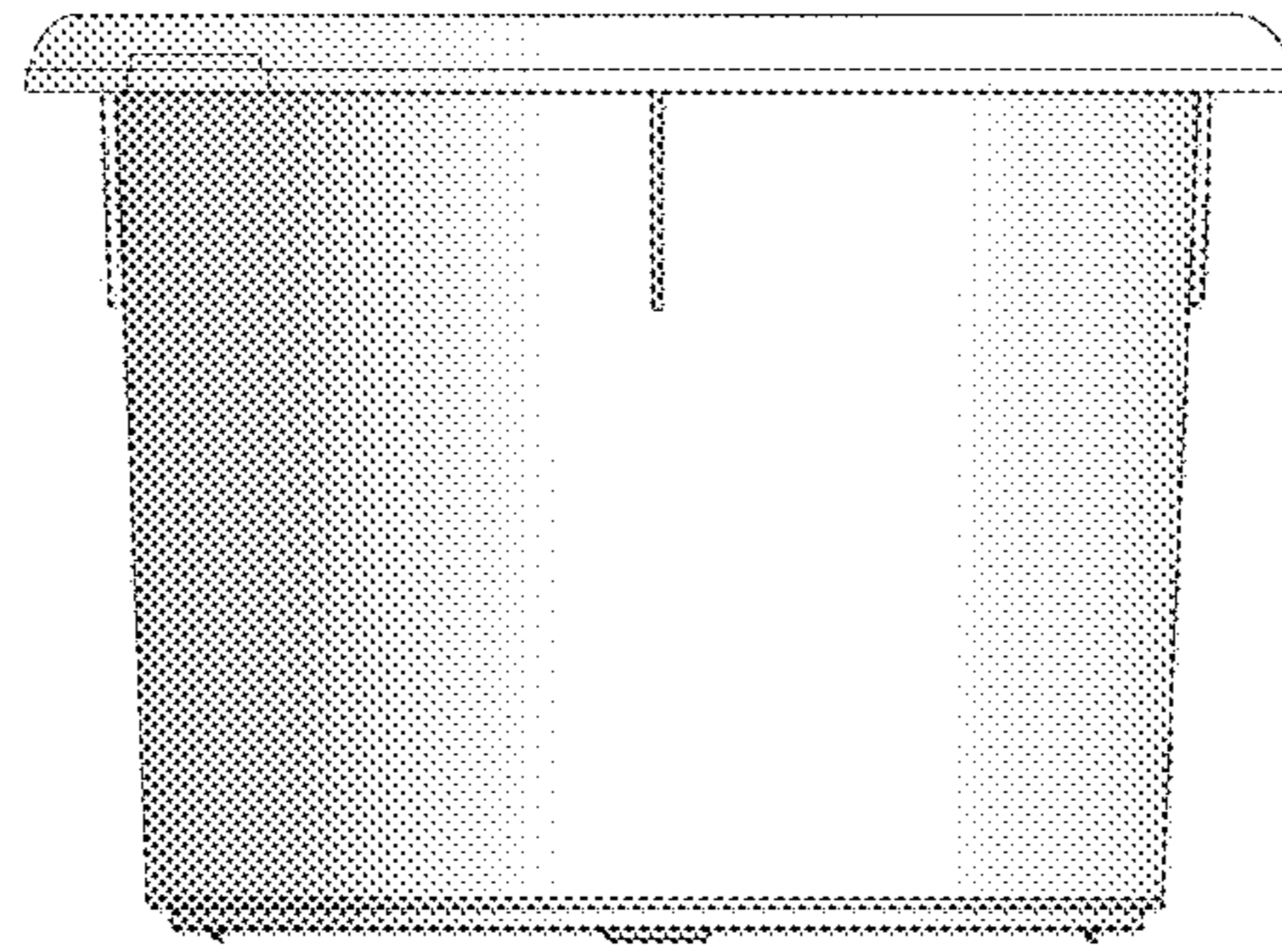


FIG. 34

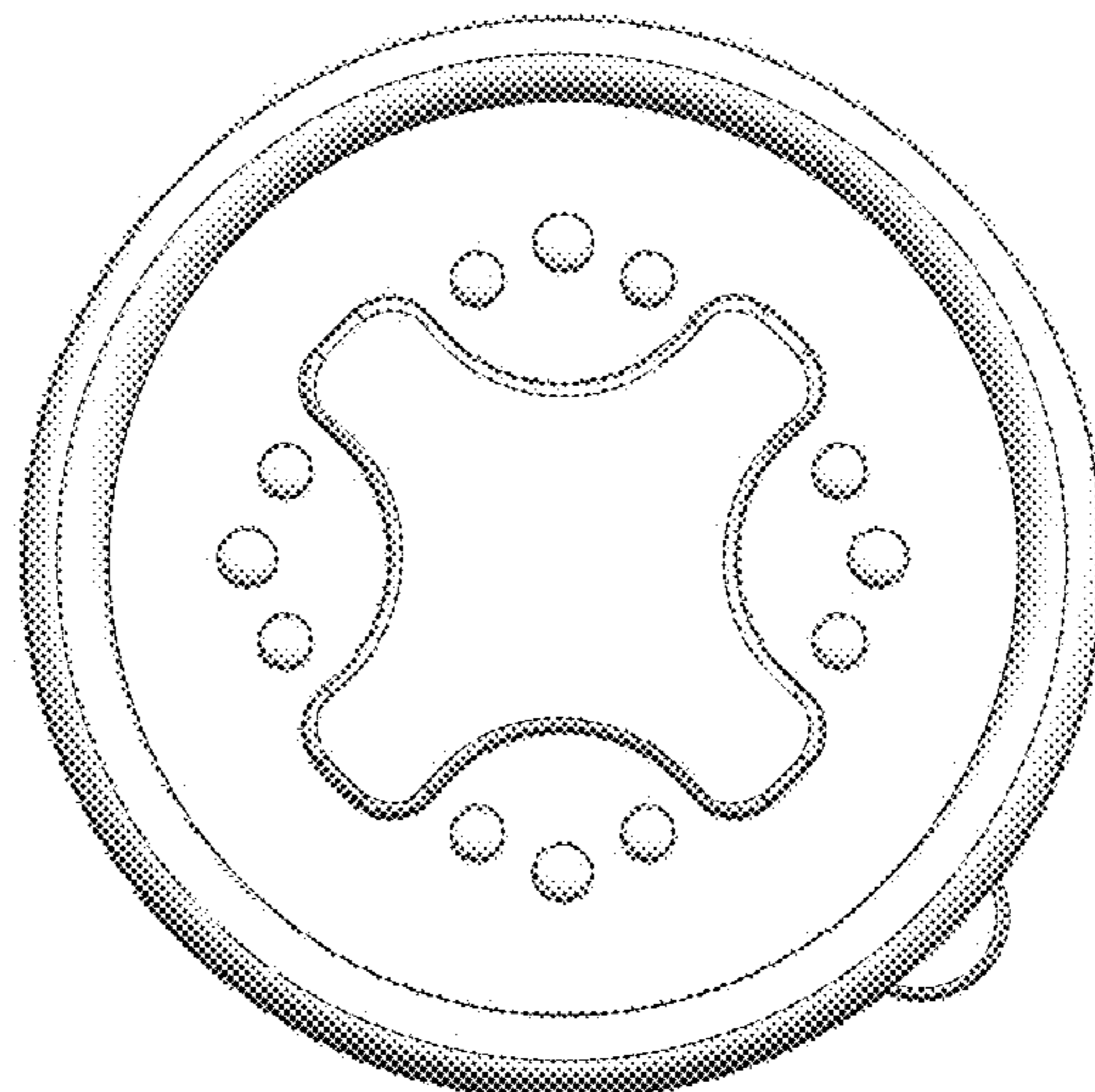


FIG. 35

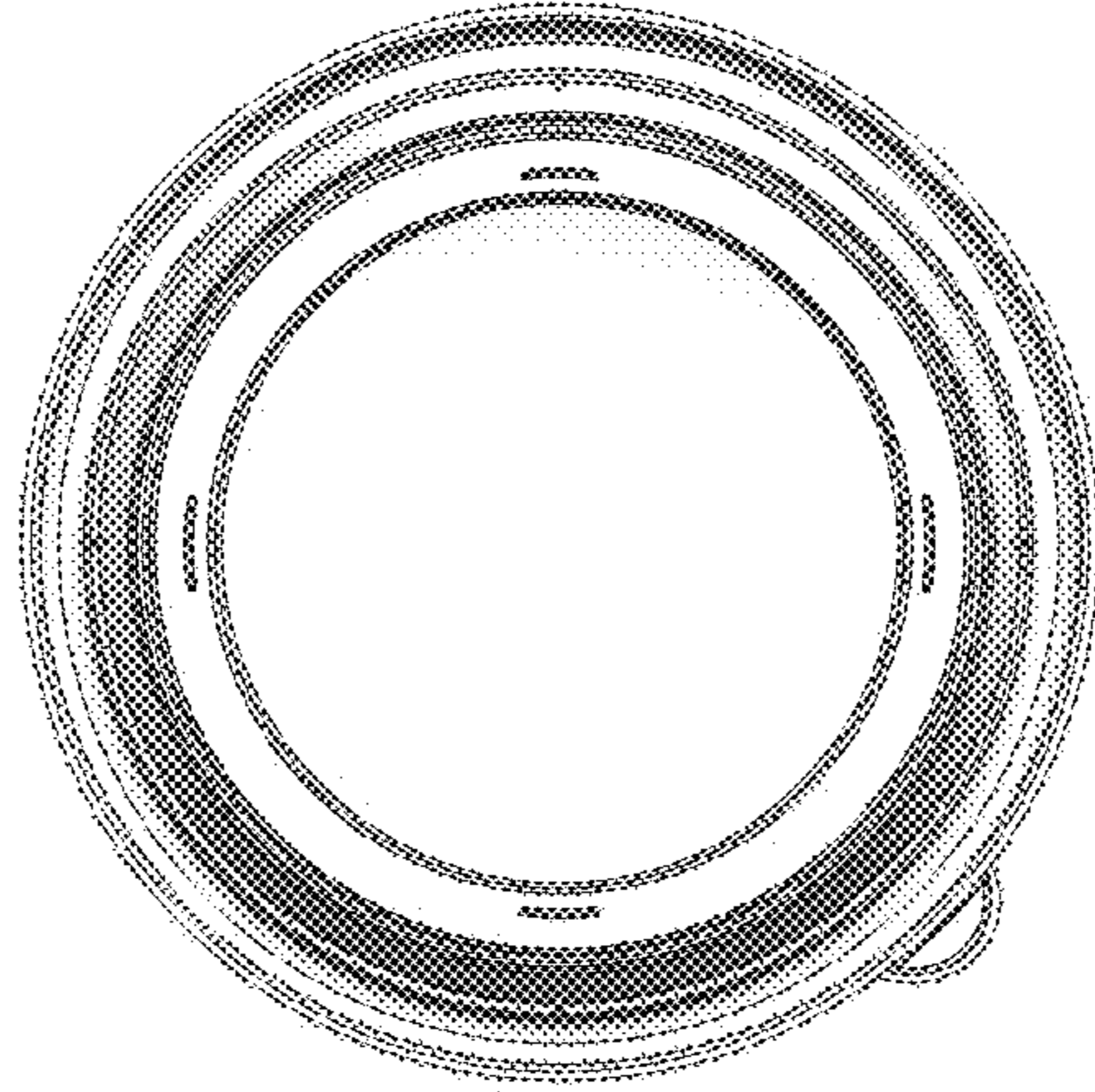


FIG. 36

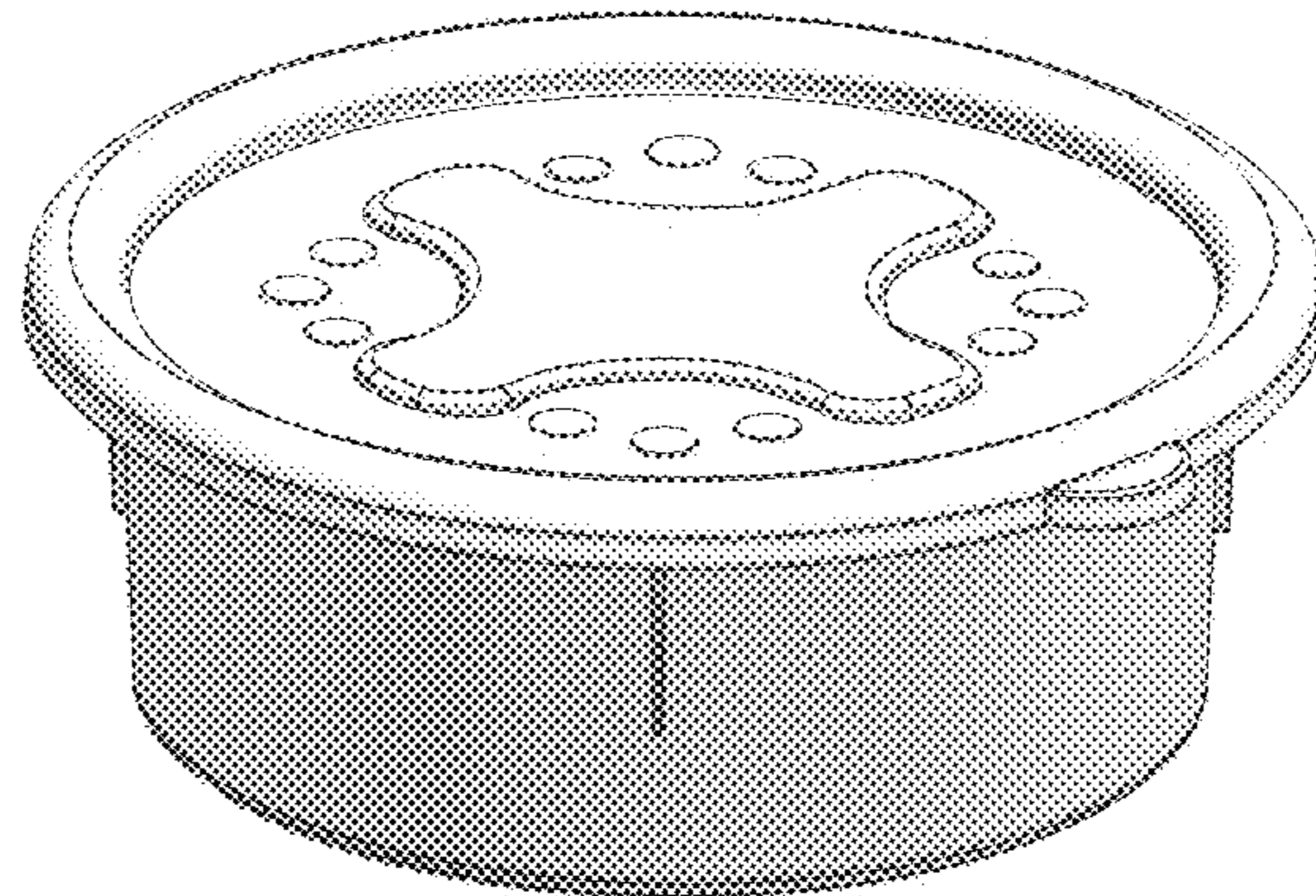


FIG. 37

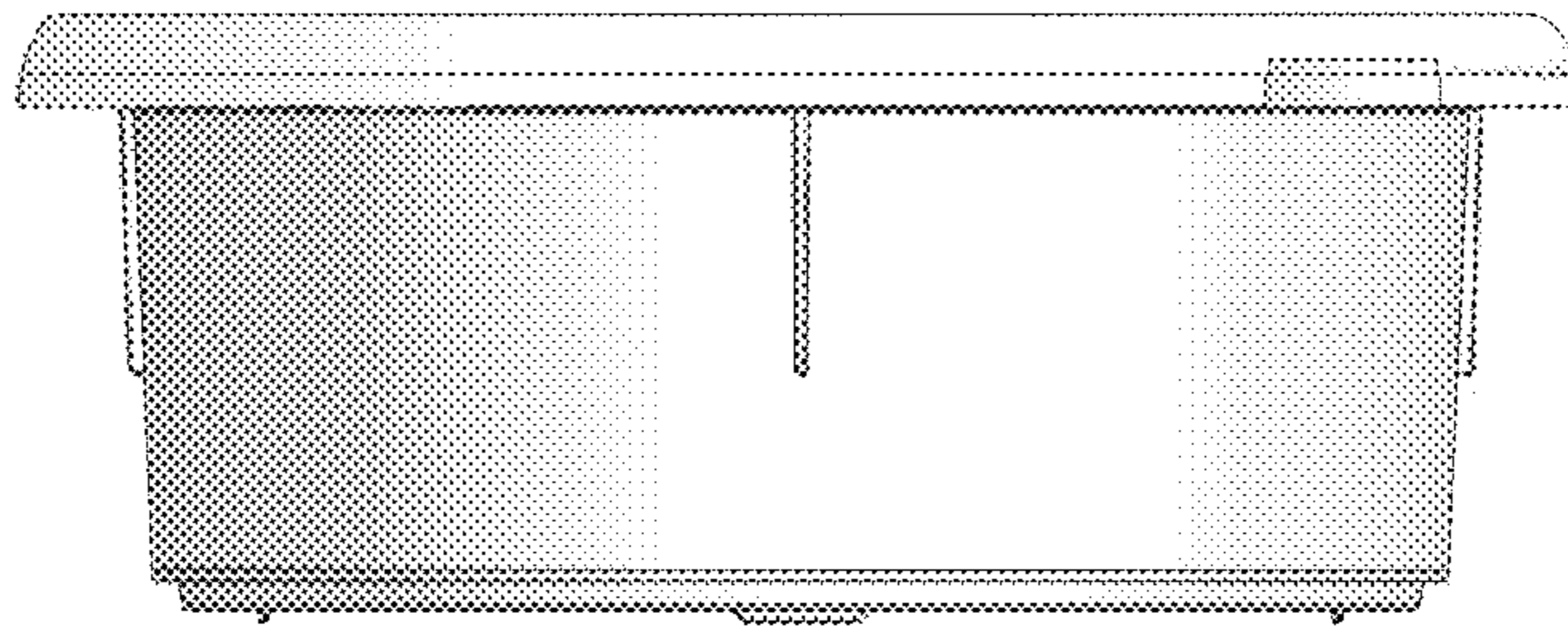


FIG. 38

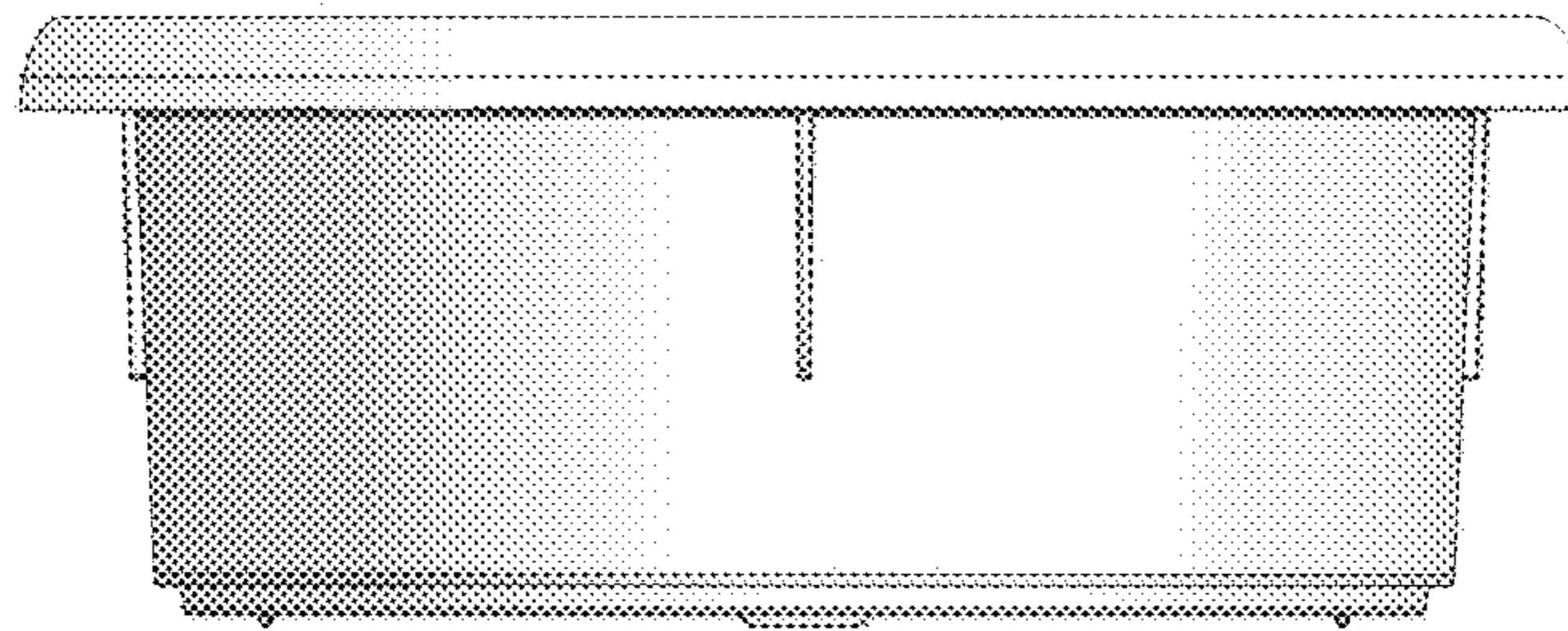


FIG. 39

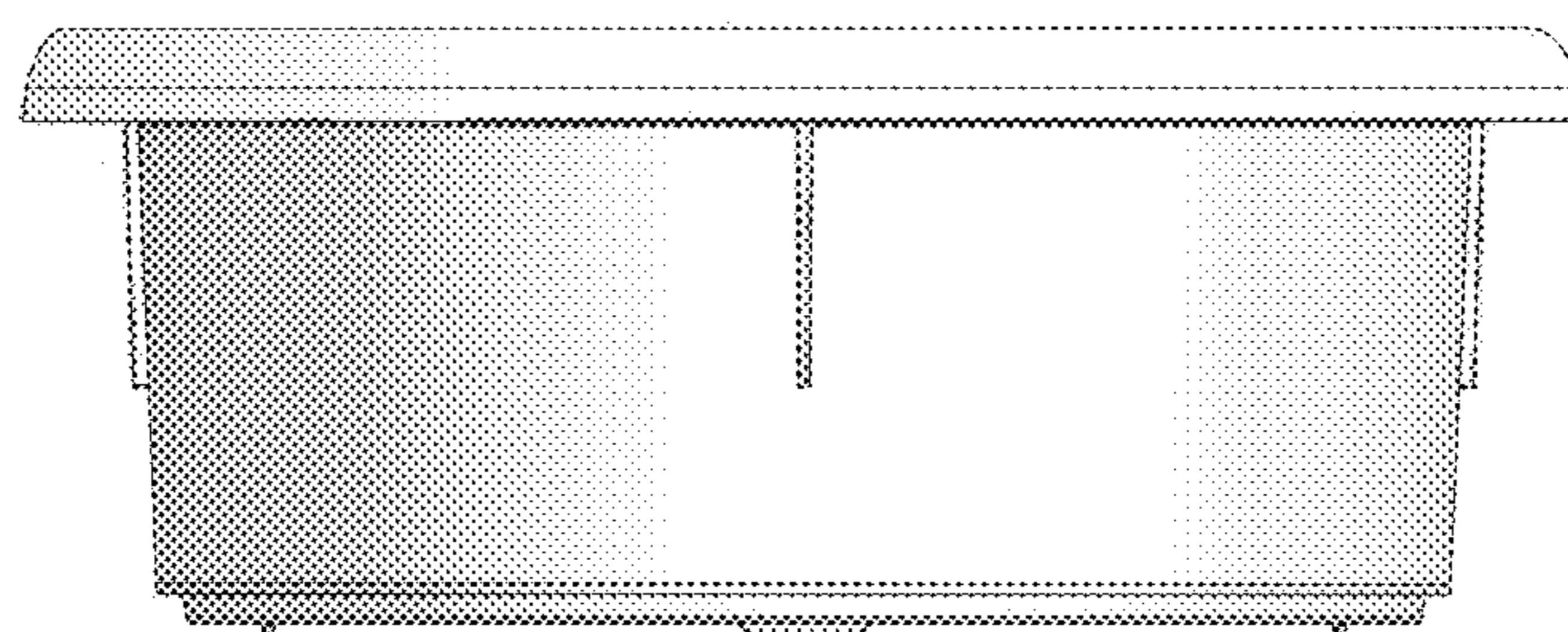


FIG. 40

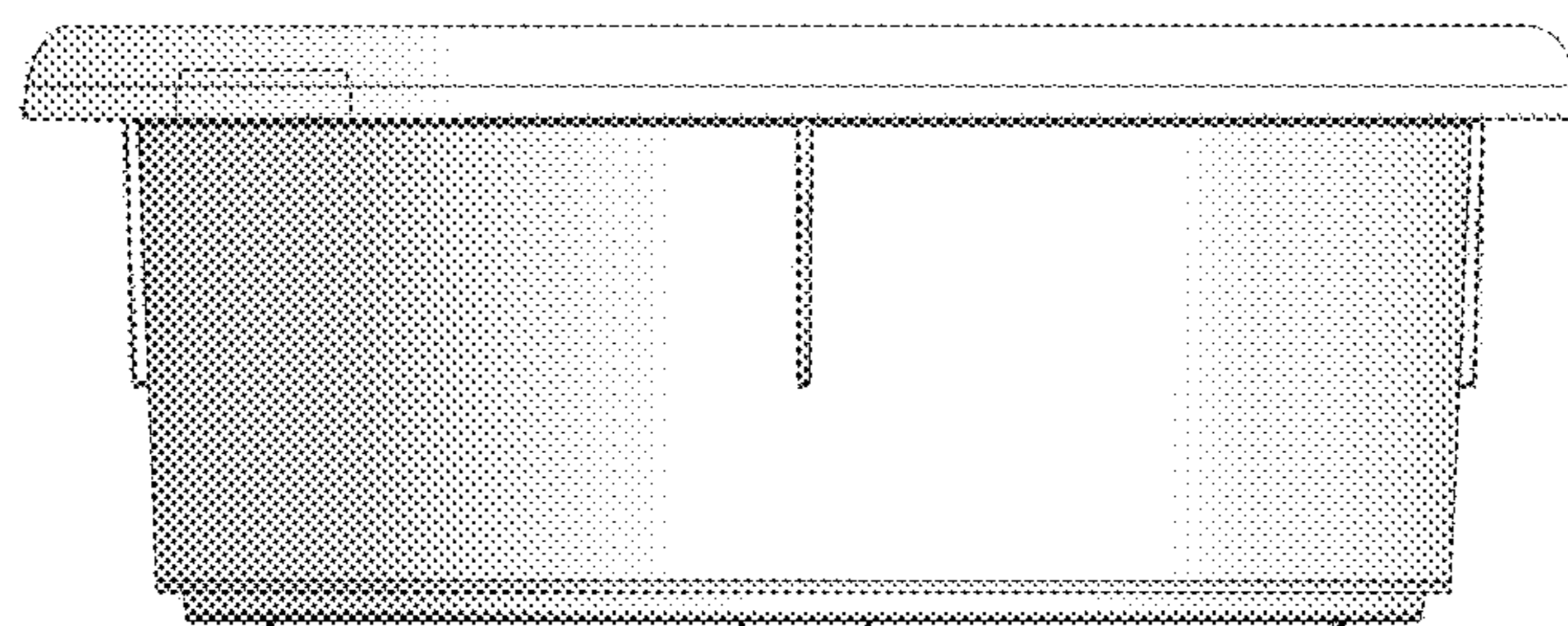


FIG. 41

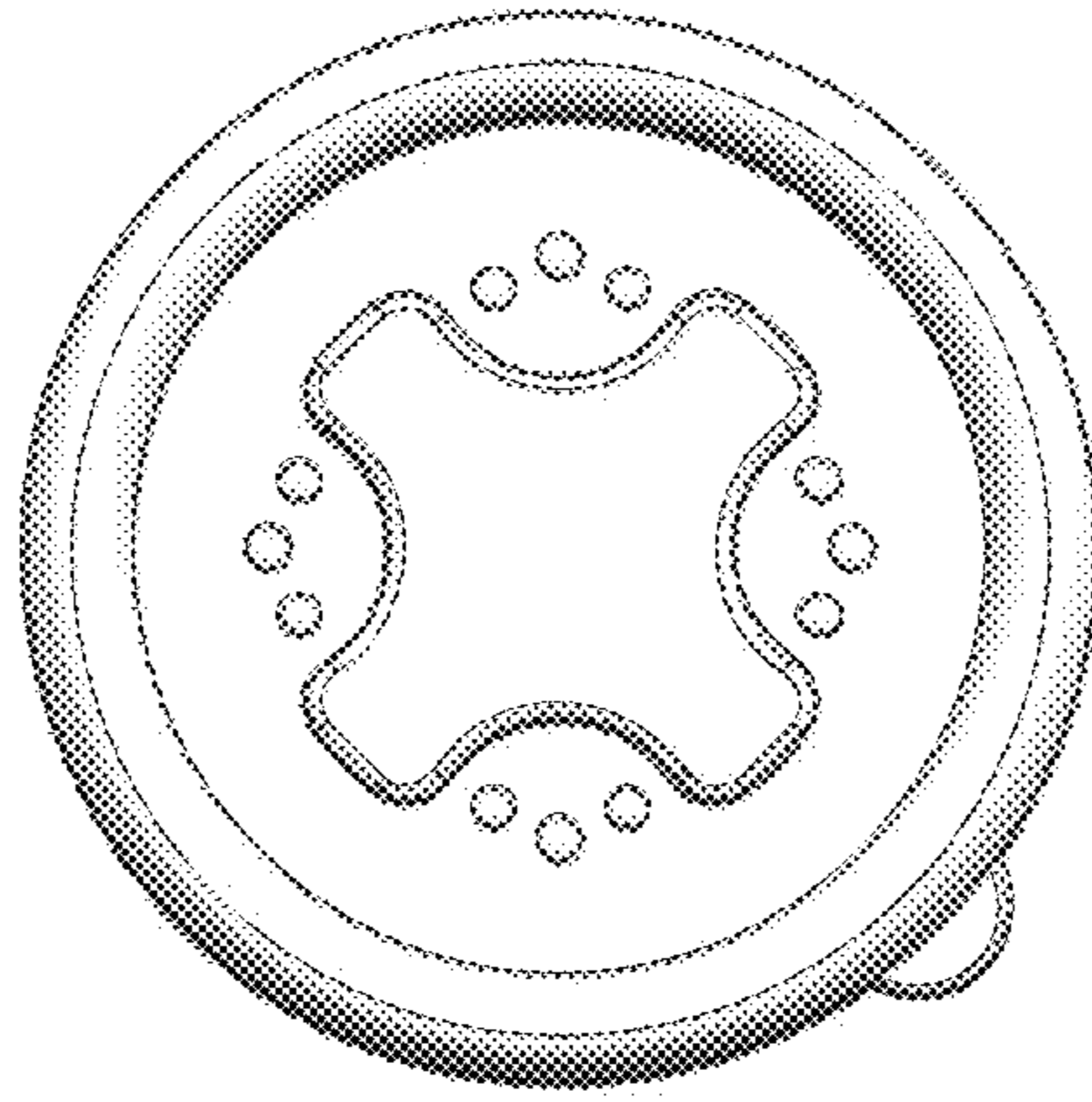


FIG. 42

