



US00D845755S

(12) **United States Design Patent** (10) **Patent No.:** **US D845,755 S**  
**Delgado Carmona** (45) **Date of Patent:** **\*\* Apr. 16, 2019**

(54) **CONTAINER WITH COVER**  
 (71) Applicant: **Dart Industries Inc.**, Orlando, FL (US)  
 (72) Inventor: **Sara L. Delgado Carmona**, Orlando, FL (US)

D686,450 S 7/2013 Yessin et al.  
 D689,363 S \* 9/2013 Sundy ..... D9/429  
 D698,199 S 1/2014 Yessin et al.  
 D700,482 S 3/2014 Yessin et al.  
 D700,483 S \* 3/2014 Yessin ..... D7/629  
 D724,903 S \* 3/2015 Chen ..... D7/629  
 D738,161 S 9/2015 Yessin et al.  
 D759,427 S 6/2016 Wiggins

(73) Assignee: **Dart Industries Inc.**, Orlando, FL (US)

\* cited by examiner

(\*\*) Term: **15 Years**

*Primary Examiner* — Derrick E Holland

*Assistant Examiner* — Janice Patyk

(21) Appl. No.: **29/621,343**

(74) *Attorney, Agent, or Firm* — Taylor J. Ross

(22) Filed: **Oct. 6, 2017**

(57) **CLAIM**

(51) **LOC (11) Cl.** ..... **09-03**

The ornamental design for a container with cover, as shown and described.

(52) **U.S. Cl.**

**DESCRIPTION**

USPC ..... **D9/425**

(58) **Field of Classification Search**

USPC ..... D7/400, 601, 608; D9/416, 417, 420, D9/425-429, 430, 432, 761; 206/499, 206/501, 502, 821; 220/625, 656, 669, 220/670, 674; 229/123.1, 123.2, 125.33, 229/125.35, 400-407, 915, 939

This application is related to co-pending Ser. Nos. 29/621, 338; 29/621,340; and 29/621,345, filed Oct. 6, 2017, which are incorporated herein by reference.

CPC . B65D 1/26; B65D 1/40; B65D 5/243; B65D 81/3453; B65D 2581/34; B65D 2581/3404; B65D 2581/3456

FIG. 1 is a top, front and left side perspective view of a container with cover showing my new design;

See application file for complete search history.

FIG. 2 is a bottom, front and right side perspective view thereof;

(56) **References Cited**

**U.S. PATENT DOCUMENTS**

D490,278 S \* 5/2004 Welsh ..... D7/629  
 D541,598 S \* 5/2007 Kim ..... D7/629  
 D618,516 S \* 6/2010 DiPietro ..... D7/629  
 D631,299 S \* 1/2011 Samartgis ..... D7/602

FIG. 3 is a top plan view thereof;

FIG. 4 is a bottom plan view thereof;

FIG. 5 is a front elevation view thereof;

FIG. 6 is a rear elevation view thereof;

FIG. 7 is a left side elevation view thereof;

FIG. 8 is a right side elevation view thereof; and,

FIG. 9 is a cross-sectional view taken along line 9-9 of FIG. 3.

**1 Claim, 3 Drawing Sheets**

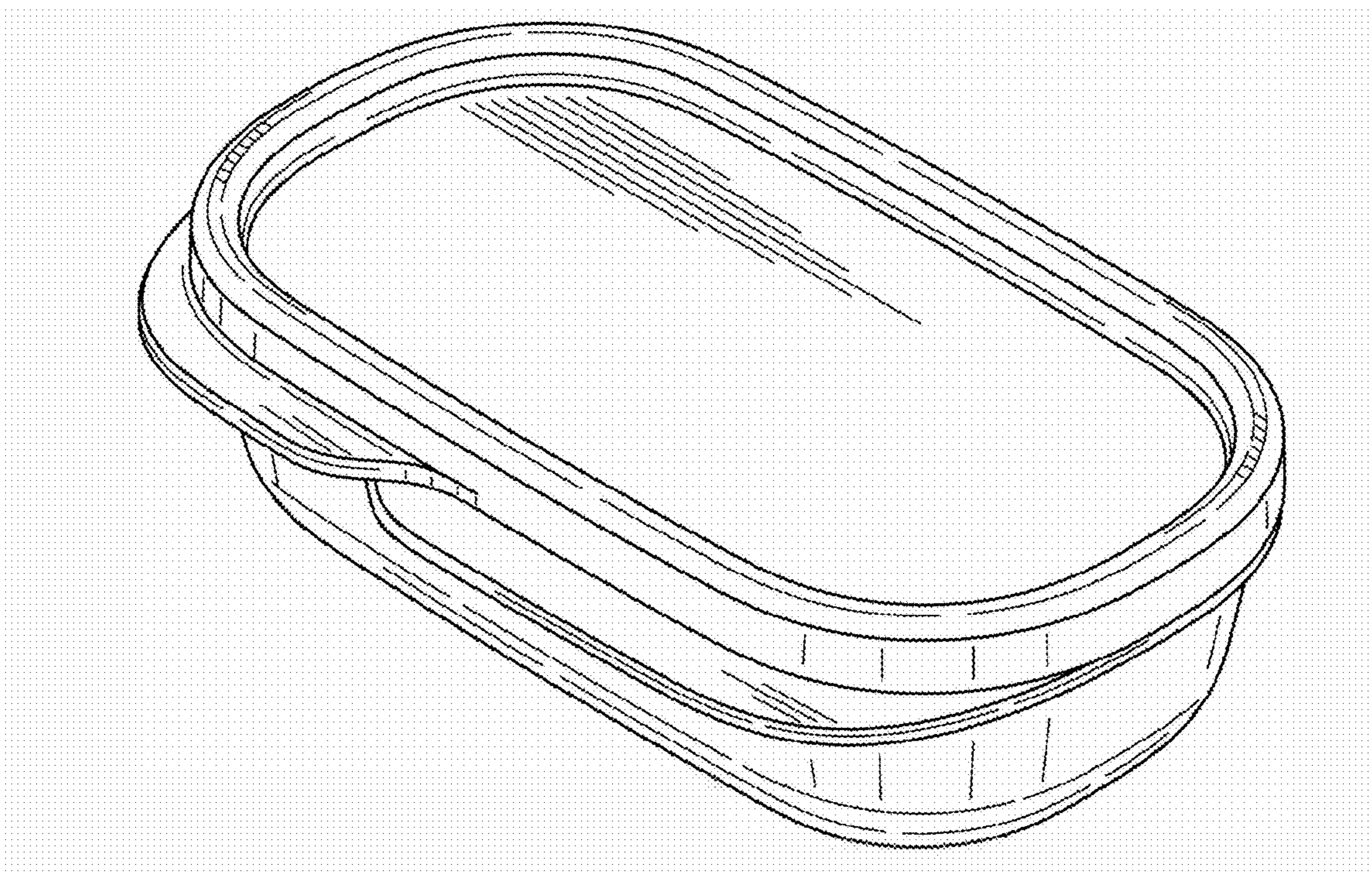


FIG. 1

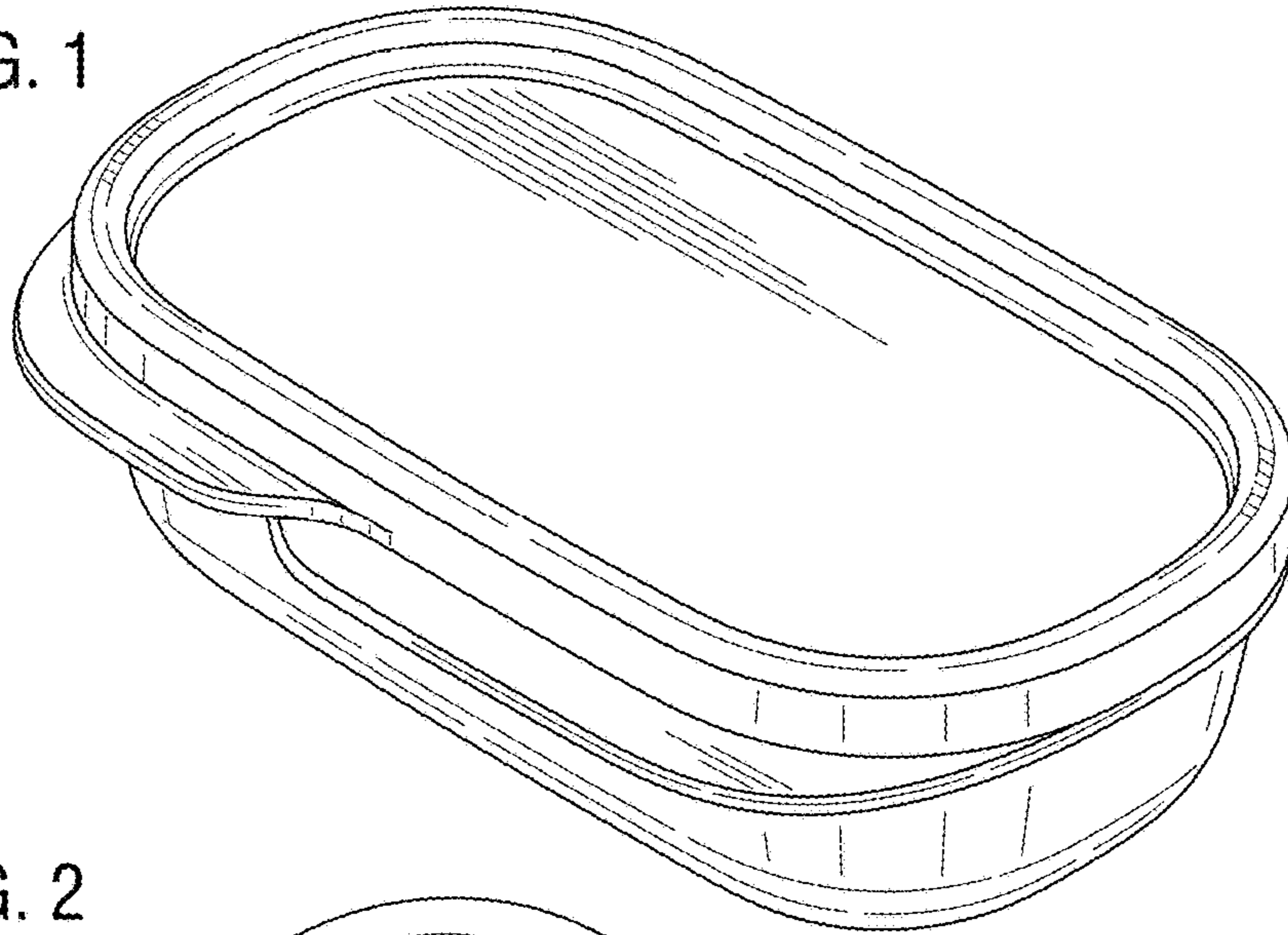


FIG. 2

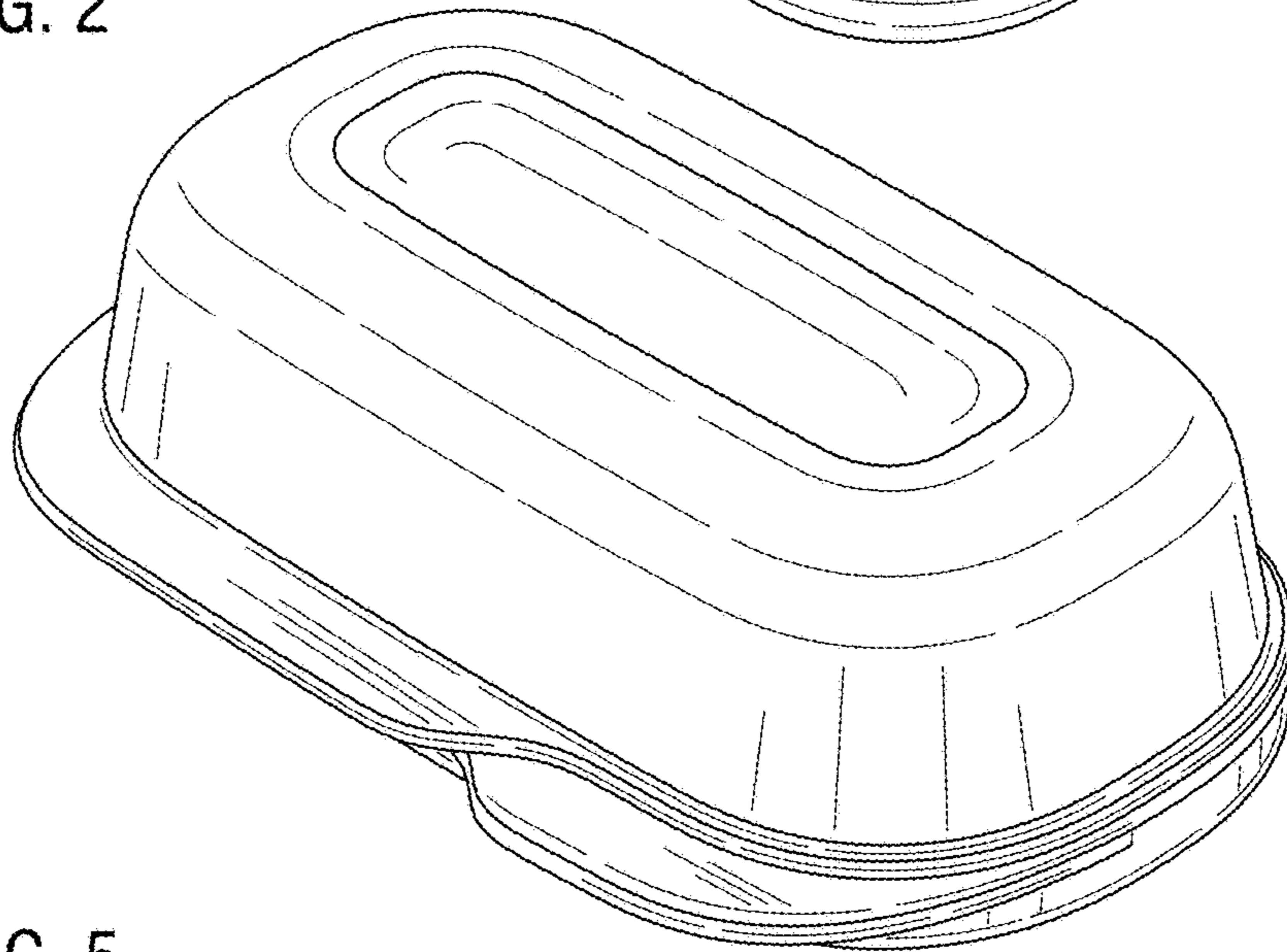


FIG. 5

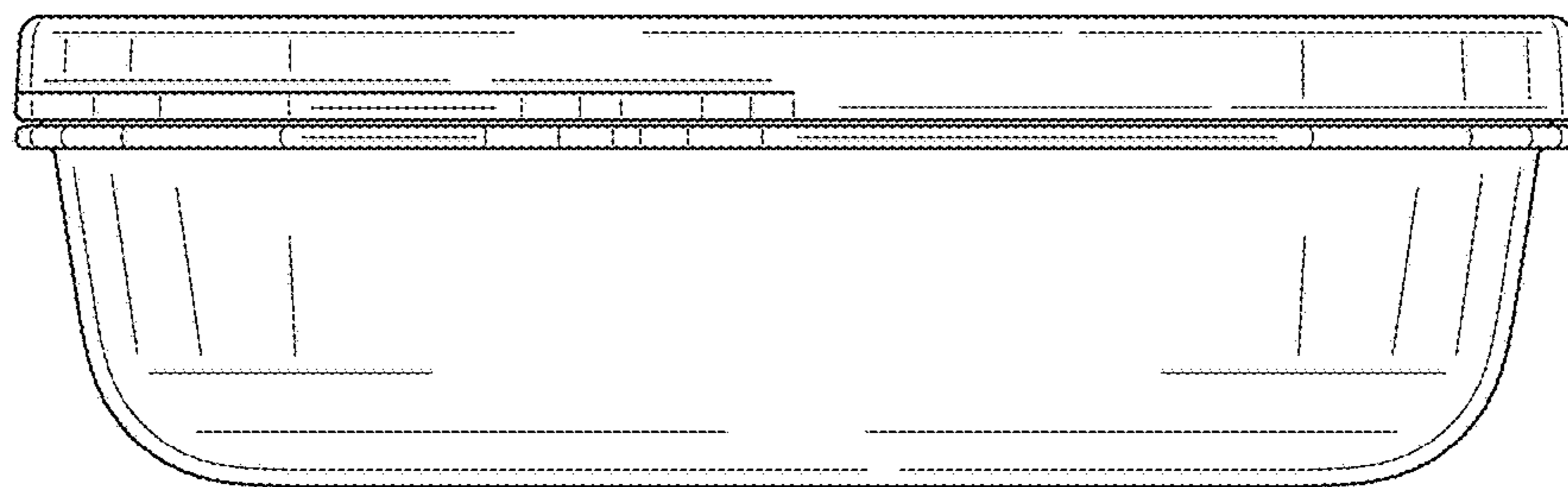


FIG. 3

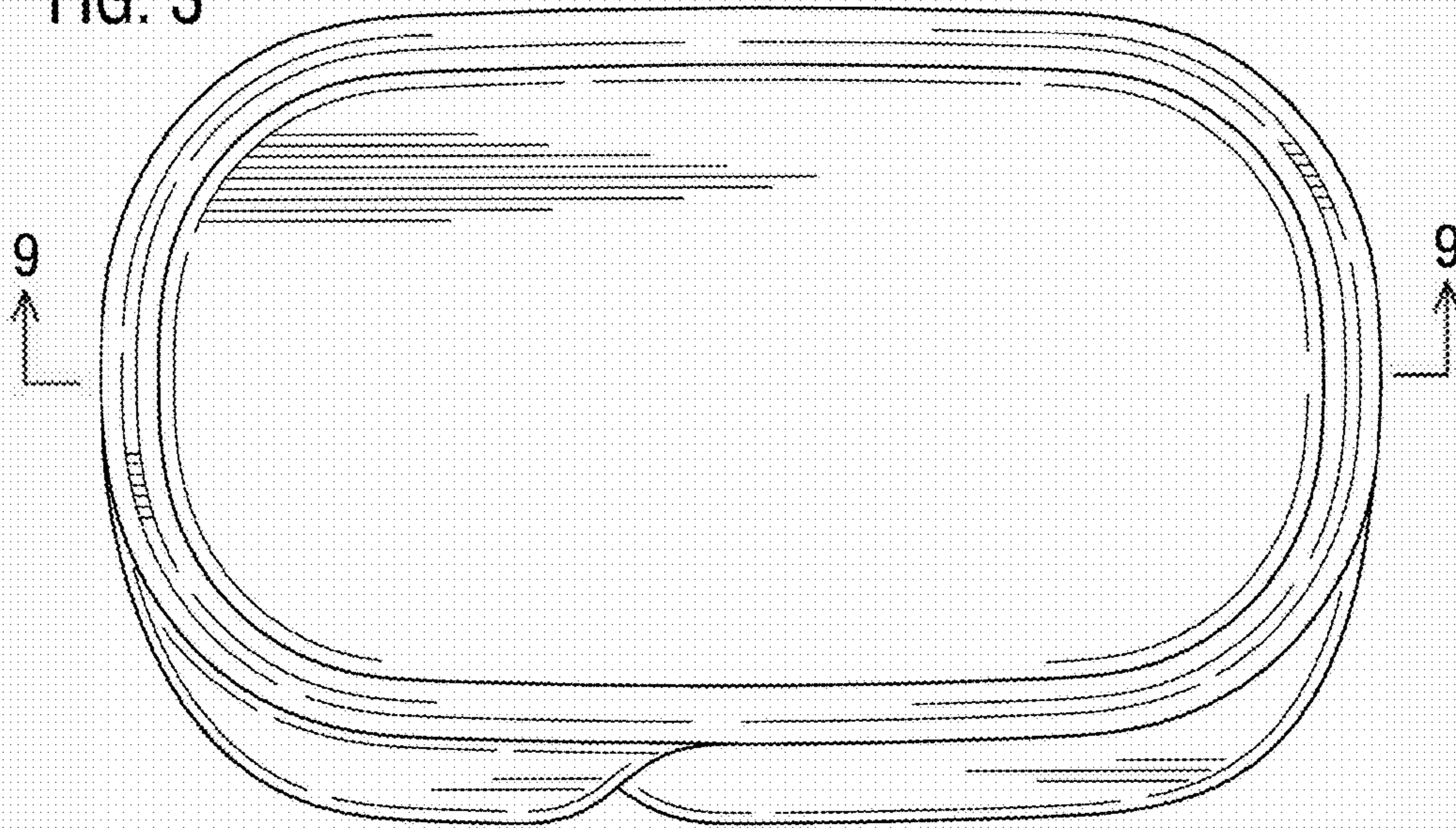


FIG. 4

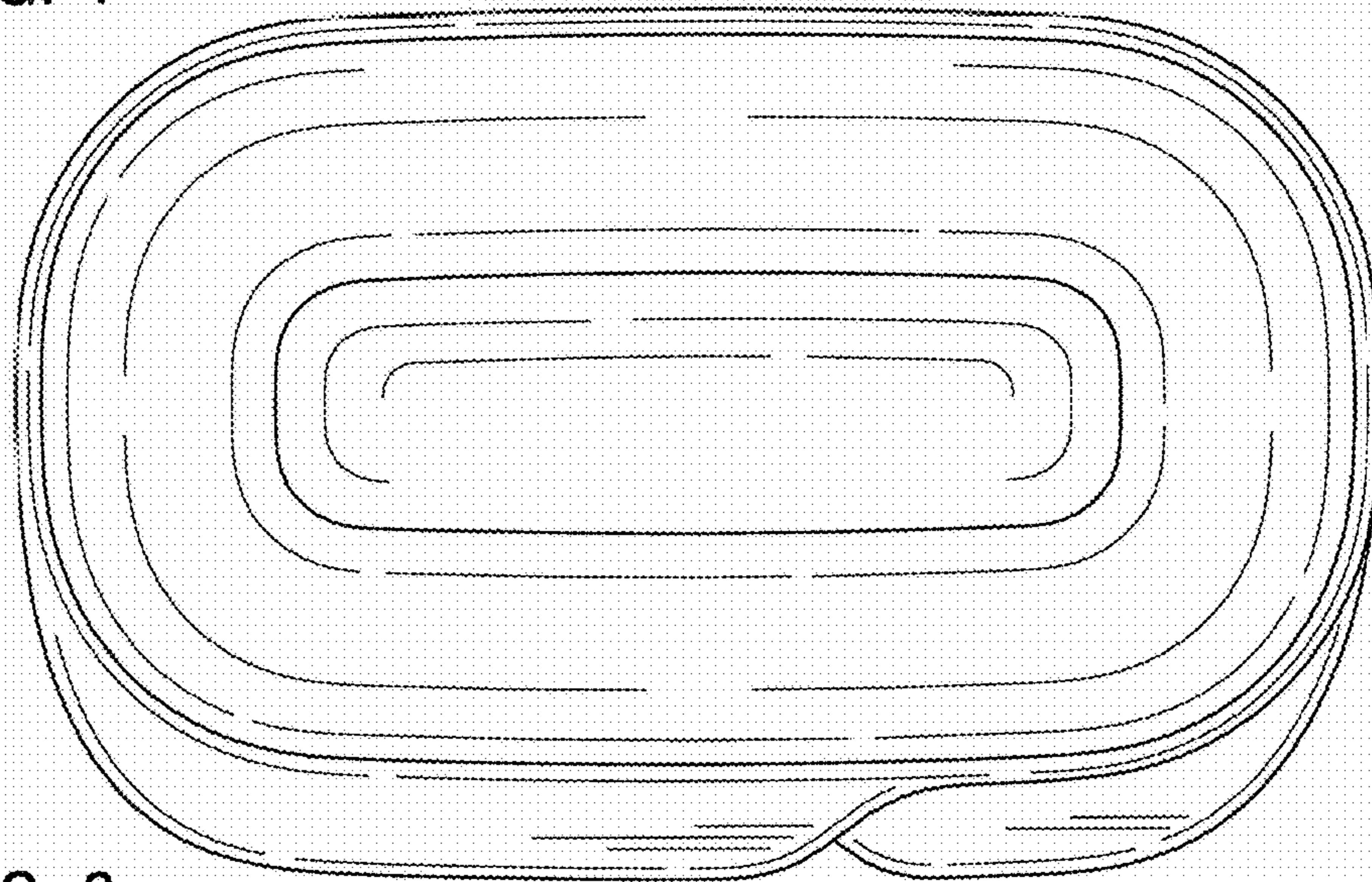


FIG. 6

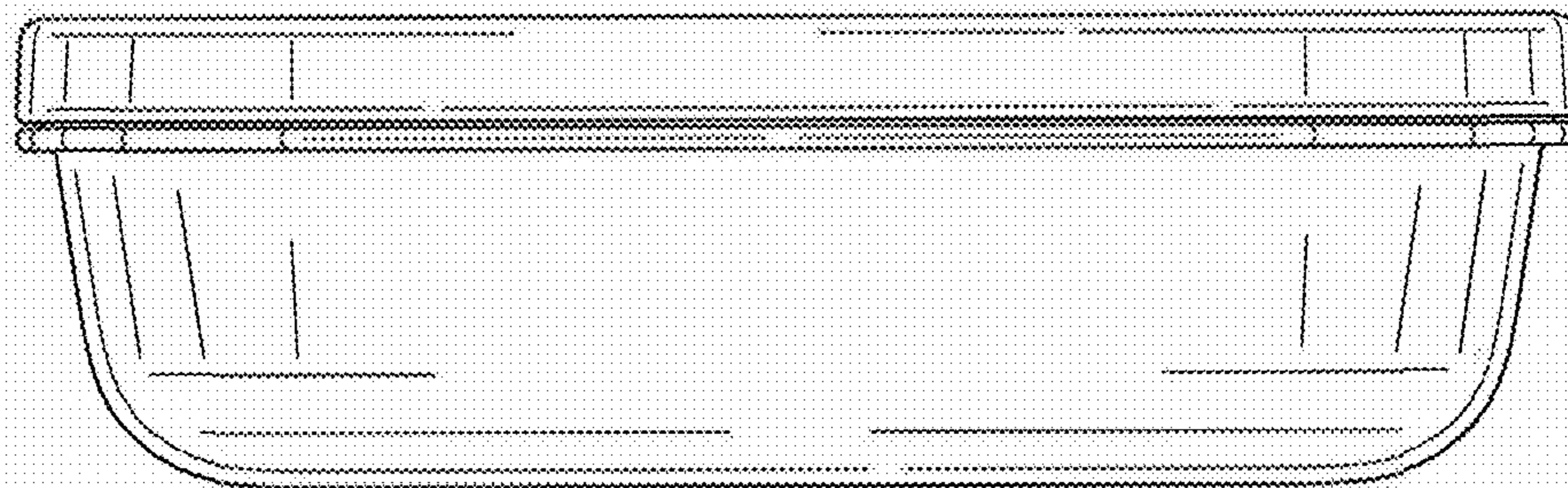


FIG. 7

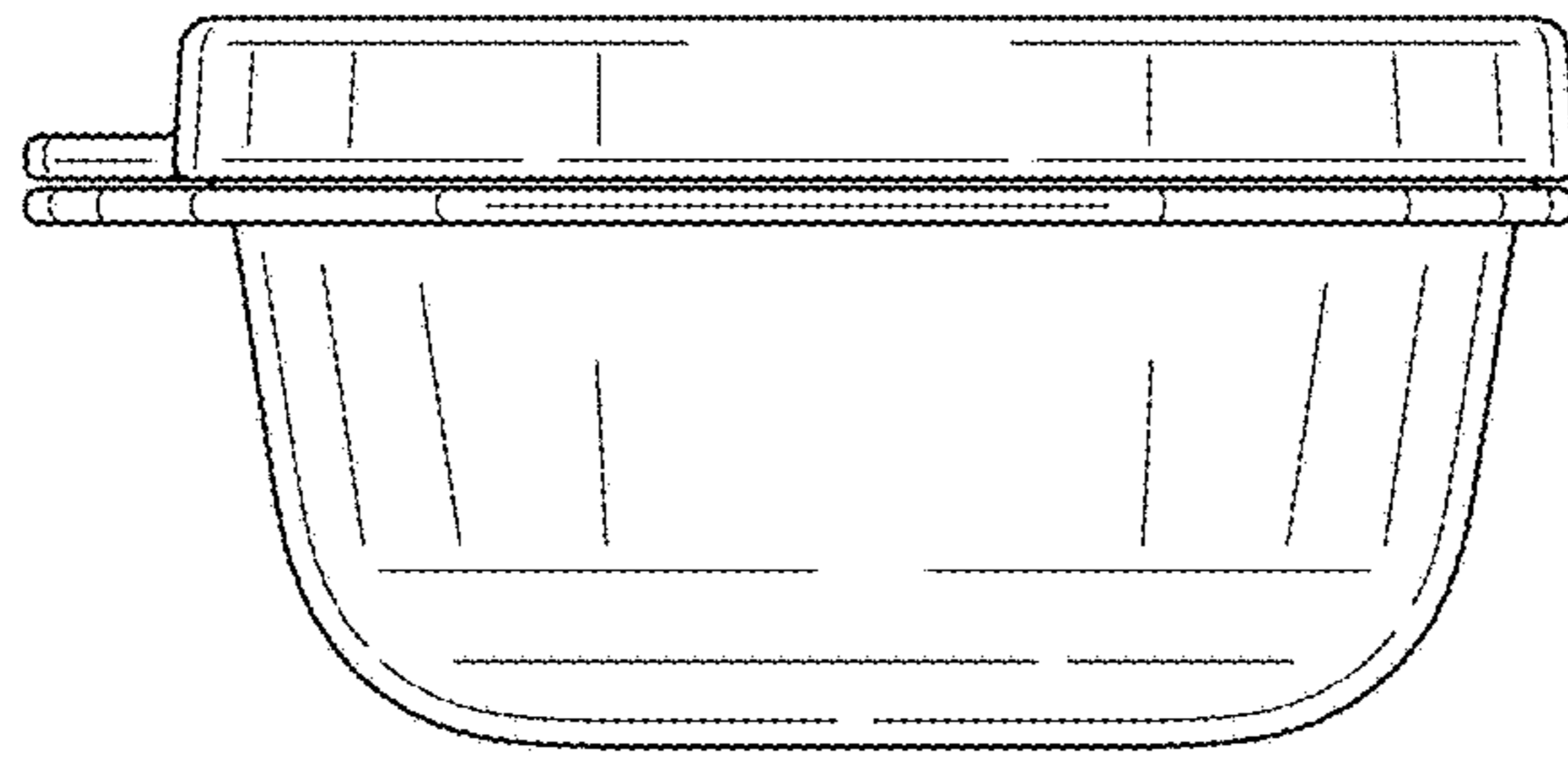


FIG. 8

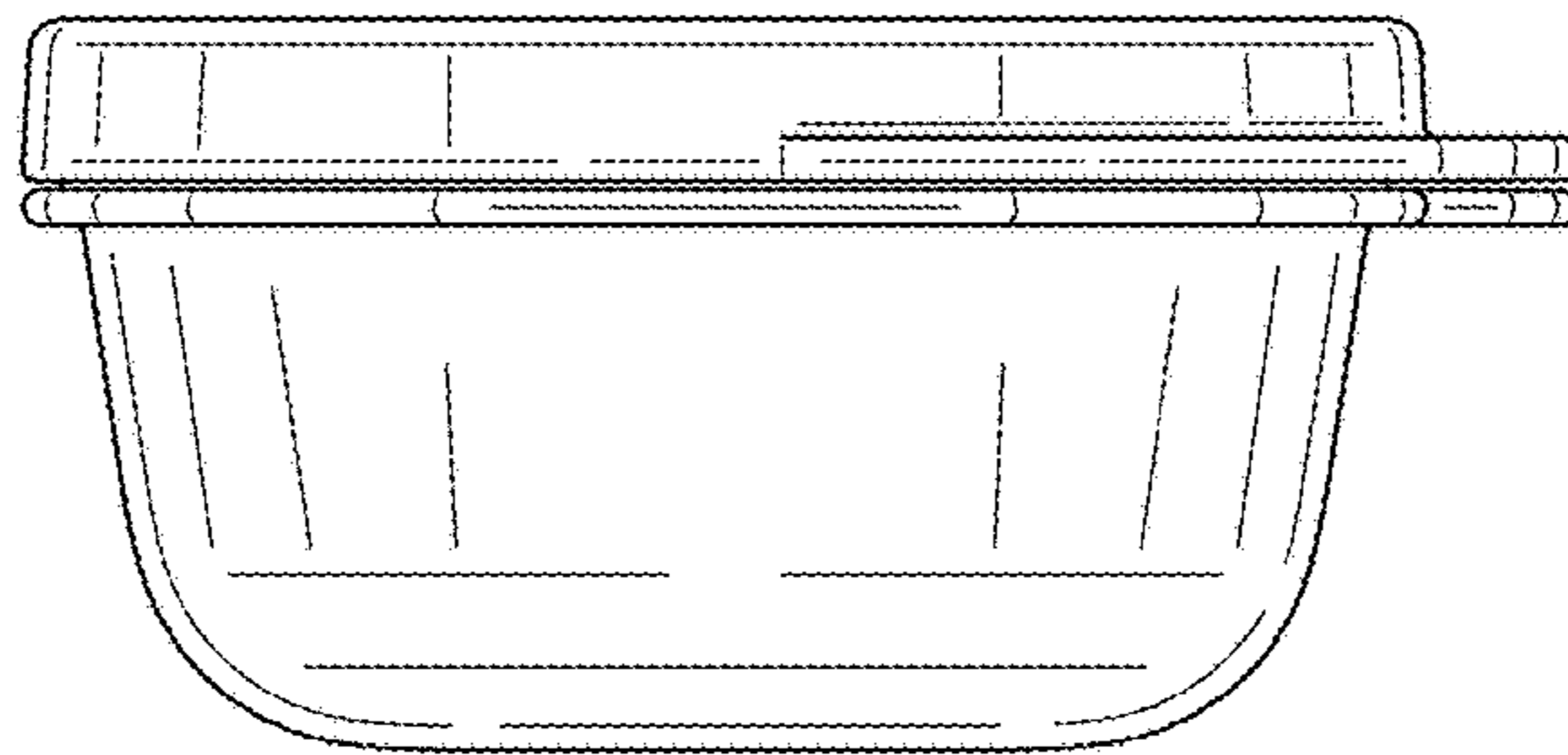


FIG. 9

