



US00D845754S

(12) **United States Design Patent**
Snedden et al.

(10) **Patent No.:** **US D845,754 S**
(45) **Date of Patent:** **** Apr. 16, 2019**

(54) **CONTAINER**

(71) Applicants: **Direct Pack, Inc.**, Sun Valley, CA
(US); **Tanimura & Antle, Inc.**, Salinas,
CA (US)

(72) Inventors: **Craig R. Snedden**, La Canada
Flintridge, CA (US); **Kevin-Dirk
Pesirla Closas**, Ontario, CA (US); **John
Michael Pessagno**, Salinas, CA (US);
Eric Wexler, Salinas, CA (US)

(73) Assignee: **Direct Pack, Inc.**, Azusa, CA (US)

(**) Term: **15 Years**

(21) Appl. No.: **29/589,120**

(22) Filed: **Dec. 28, 2016**

(51) **LOC (11) Cl.** **09-03**

(52) **U.S. Cl.**
USPC **D9/420**

(58) **Field of Classification Search**
USPC D9/414, 420, 423, 424, 425-429, 432;
D7/629, 630, 641
CPC B65D 2543/00296; B65D 81/3453; B65D
43/162; B65D 2543/00101; B65D
2543/00194; B65D 1/0207; B65D 43/02;
B65D 2543/00648; B65D 1/40; B65D
2301/20; B65D 2543/00759; B65D 25/54;
B65D 21/0222; B65D 2543/00203; B65D
2543/00425; B65D 43/169; B65D
2501/0036; B65D 11/20; B65D
2519/00034; B65D 2519/00069; B65D
2519/00139; B65D 2519/00268; B65D
2519/00288; B65D 2519/00318; B65D
5/68; B65D 75/522

See application file for complete search history.

(56) **References Cited**

U.S. PATENT DOCUMENTS

D673,847 S * 1/2013 Barbier D9/420
D685,628 S * 7/2013 Durdon D9/420

8,523,006 B2 * 9/2013 Barbier B65D 1/22
206/499
D691,037 S * 10/2013 Chen D9/423
9,187,209 B1 * 11/2015 Hanna B65D 43/162
2006/0289550 A1 * 12/2006 Guardigli B65D 1/42
220/810
2008/0210697 A1 * 9/2008 Kessell B65D 1/40
220/666
2010/0102074 A1 * 4/2010 Parikh B65D 43/0254
220/810
2011/0297690 A1 * 12/2011 Teys B65D 43/162
220/834
2014/0041343 A1 * 2/2014 Corbett B65D 43/162
53/492
2014/0190969 A1 * 7/2014 Huang B65D 77/2032
220/268

(Continued)

Primary Examiner — Lauren R Calve

(74) *Attorney, Agent, or Firm* — Frost Brown Todd, LLC

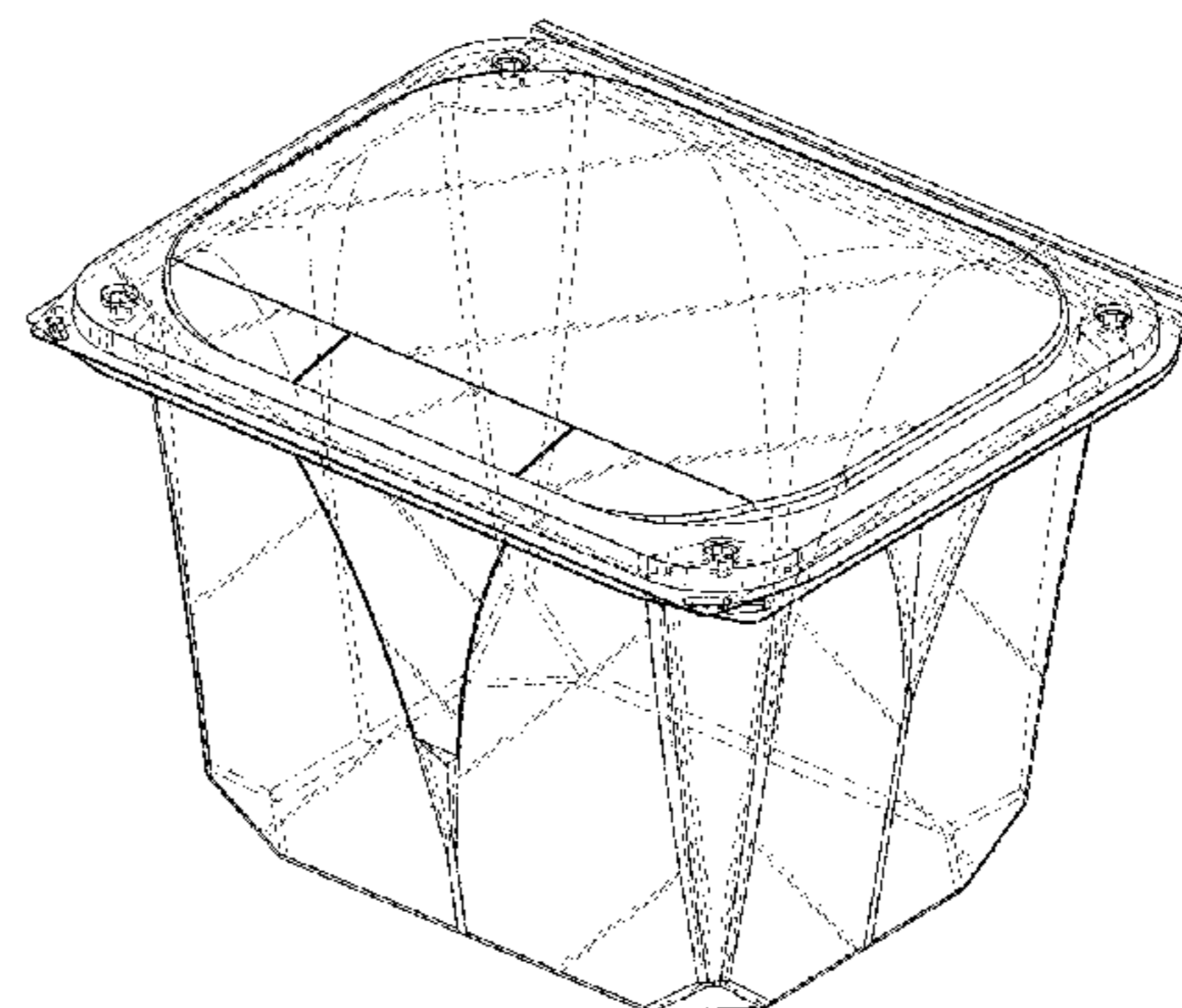
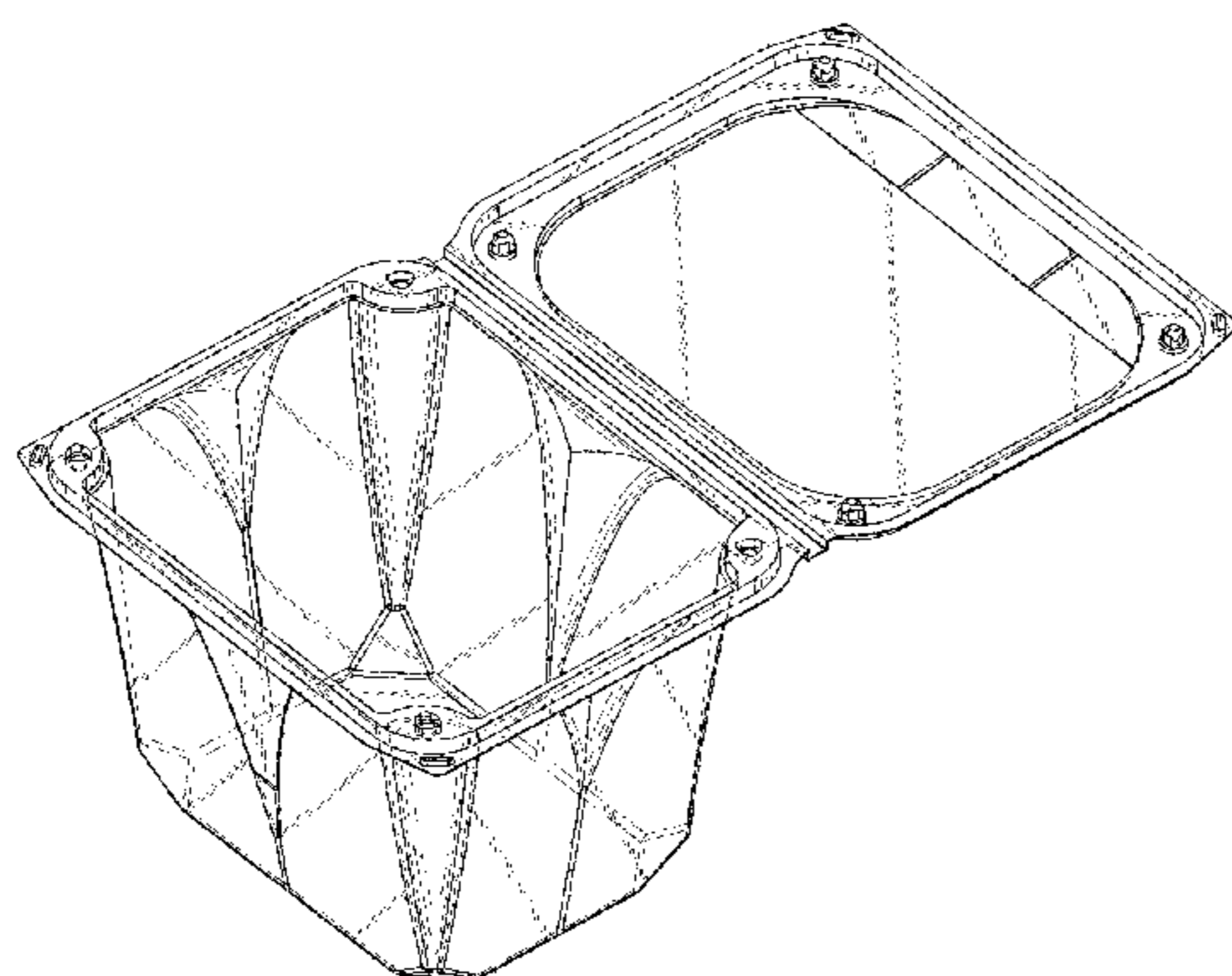
(57) **CLAIM**

The ornamental design for a container, as shown and described.

DESCRIPTION

FIG. 1 is a top perspective view of a container showing our new design;
FIG. 2 is a top perspective view thereof shown in an alternate configuration;
FIG. 3 is a bottom perspective view of the container shown in FIG. 2;
FIG. 4 is a front elevational view thereof;
FIG. 5 is a rear elevational view thereof;
FIG. 6 is a left elevational view thereof;
FIG. 7 is a right elevational view thereof;
FIG. 8 is a top plan view thereof; and,
FIG. 9 is a bottom plan view thereof.

1 Claim, 9 Drawing Sheets



(56)

References Cited

U.S. PATENT DOCUMENTS

2014/0224803 A1* 8/2014 Pickering B29C 65/00
220/266
2014/0224824 A1* 8/2014 Pickering B65D 43/0235
220/810
2015/0060455 A1* 3/2015 Chou B65D 17/24
220/270
2015/0307239 A1* 10/2015 Chen B65D 43/162
220/270
2015/0329249 A1* 11/2015 Gingras B65D 43/0235
220/270
2015/0336734 A1* 11/2015 Lam B65D 85/34
220/200
2016/0096663 A1* 4/2016 Lotfi B65D 43/0235
220/266
2017/0088316 A1* 3/2017 Krueger B65D 43/164

* cited by examiner

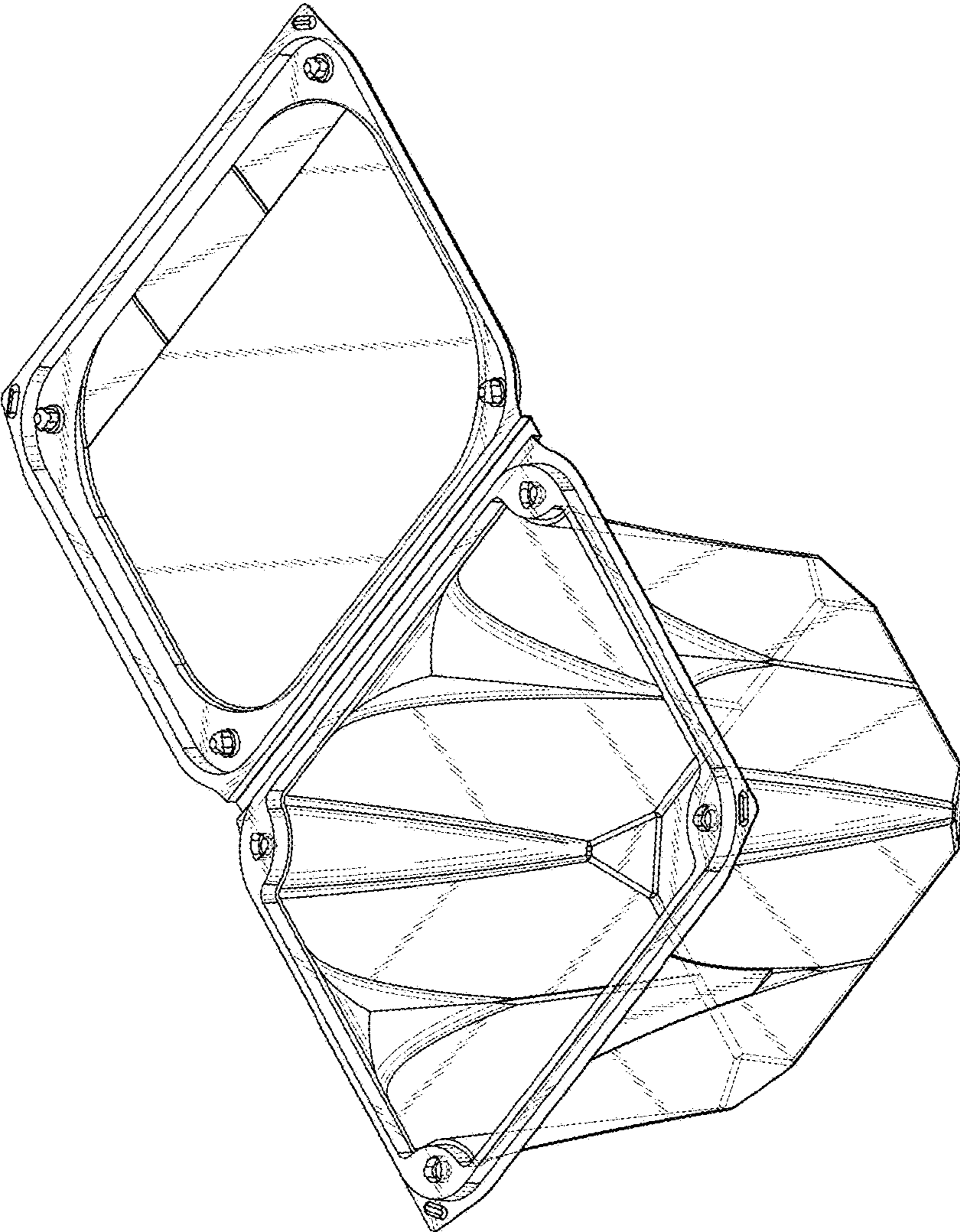


Fig. 1

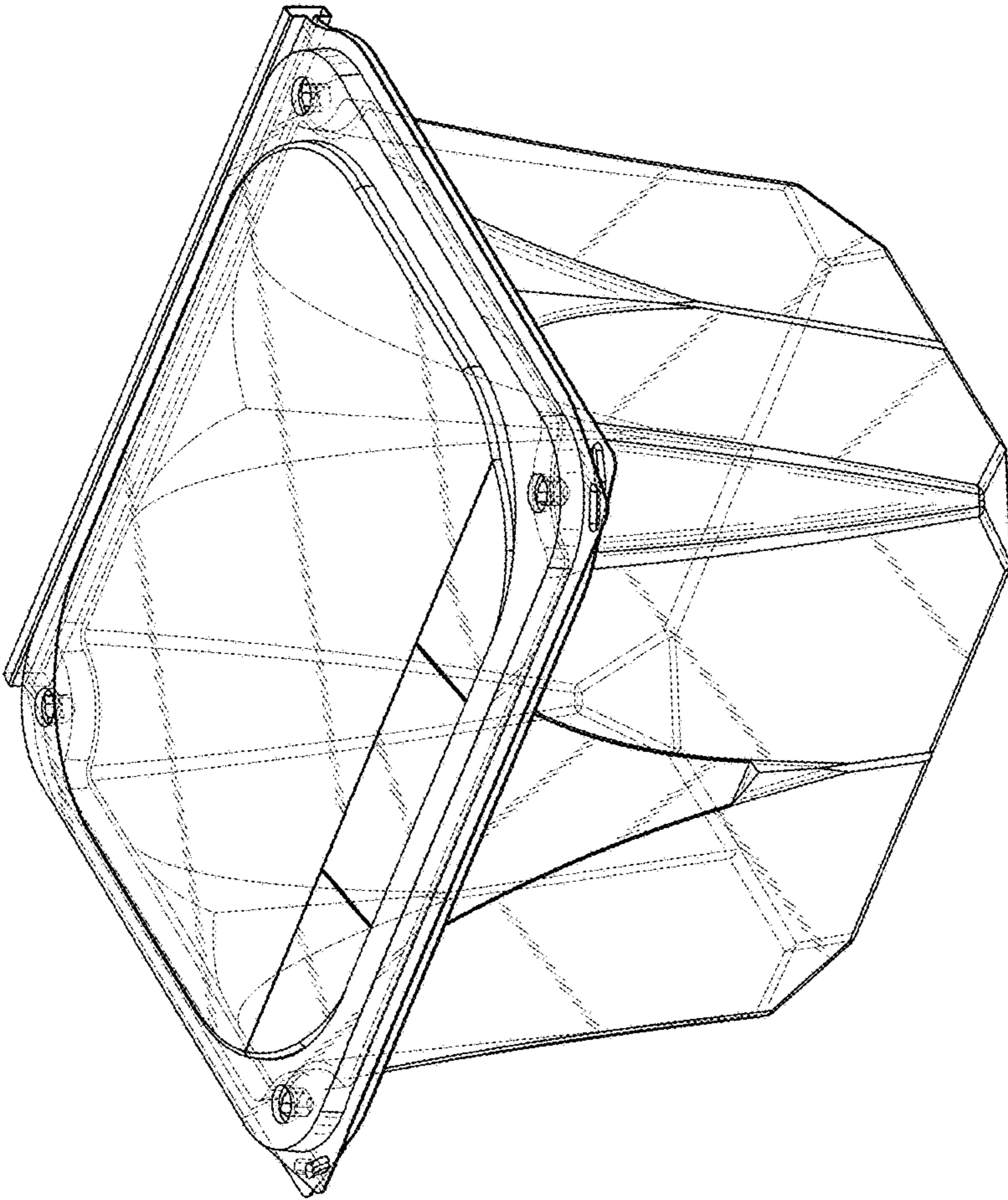


Fig. 2

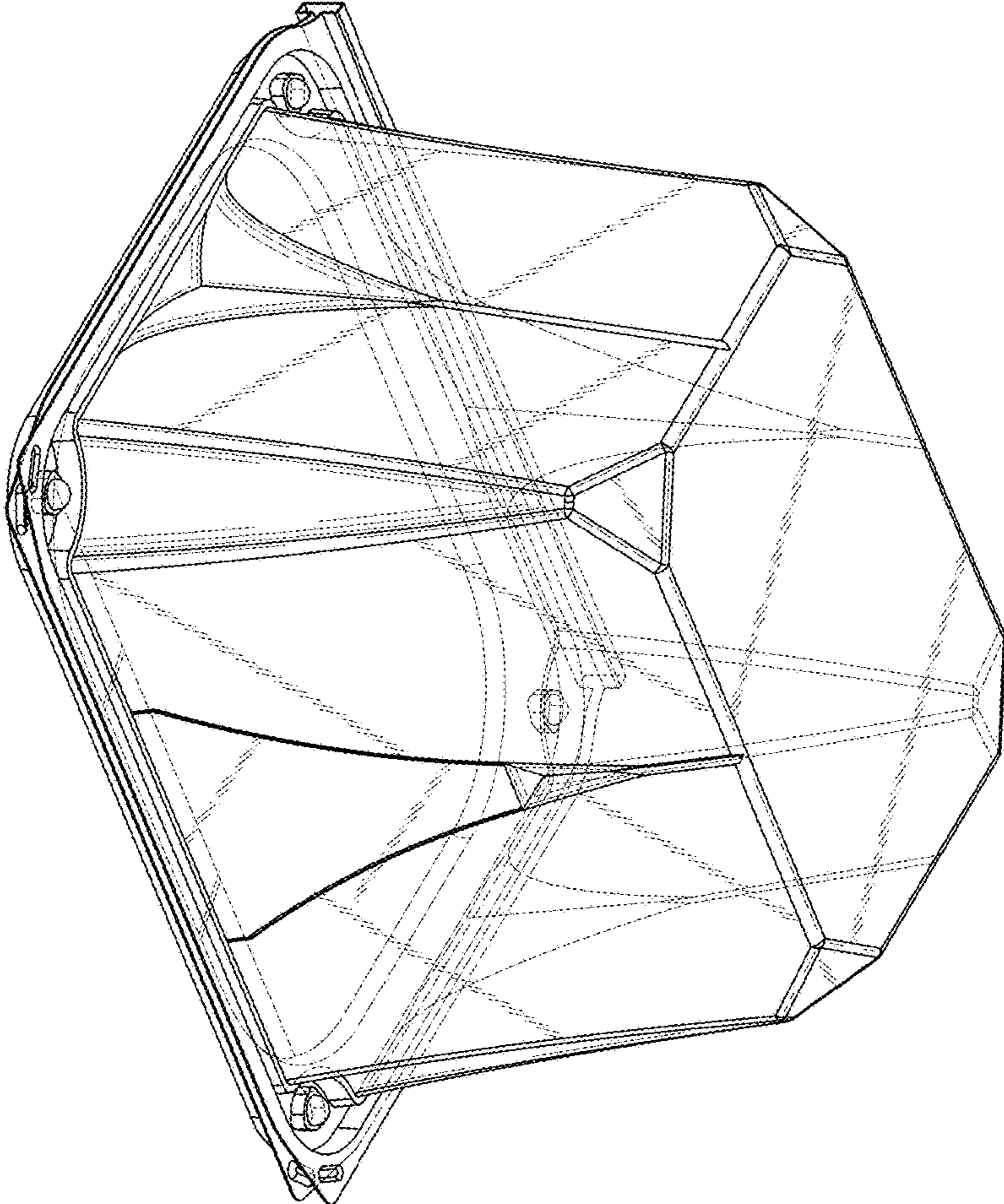


Fig. 3

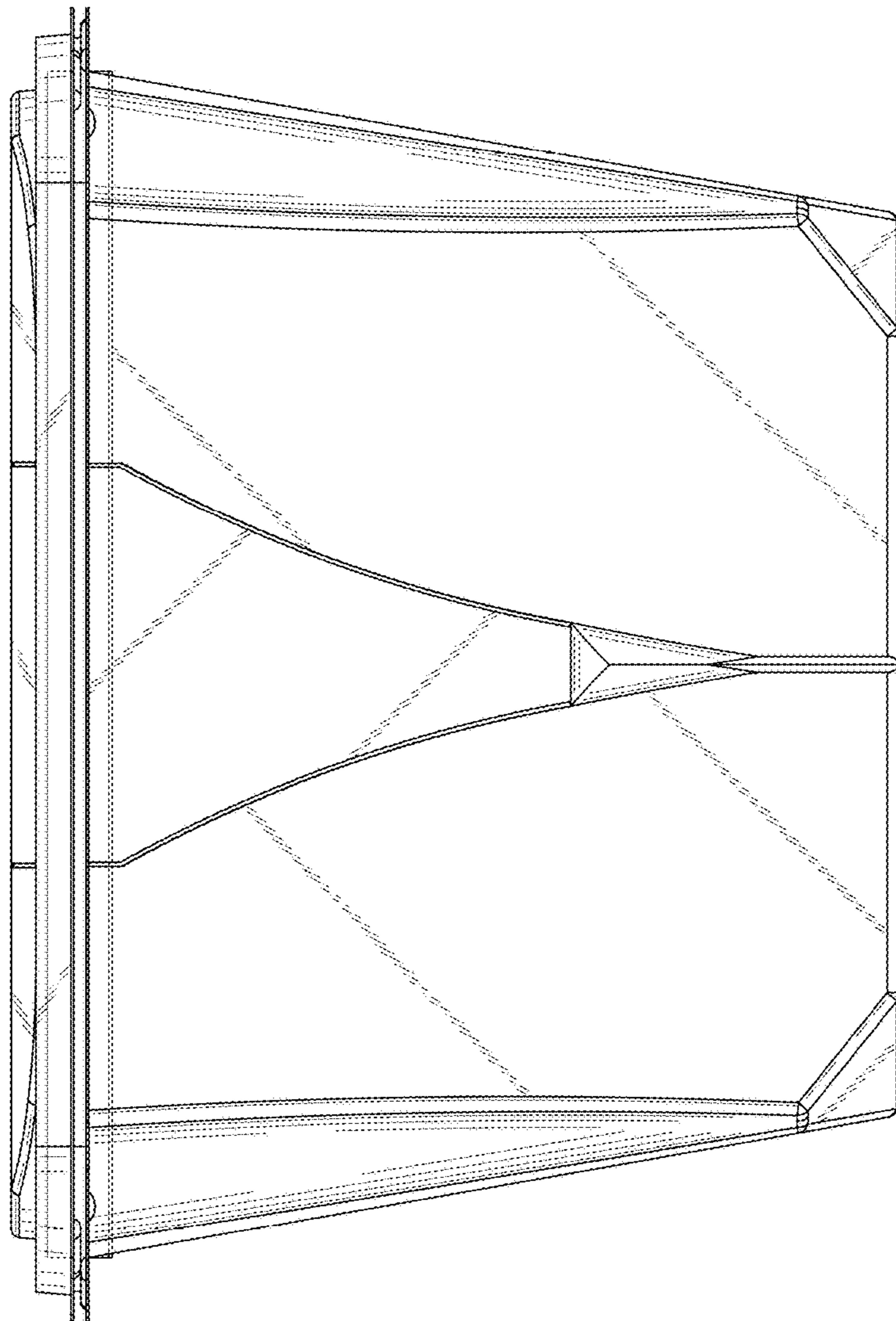


Fig. 4

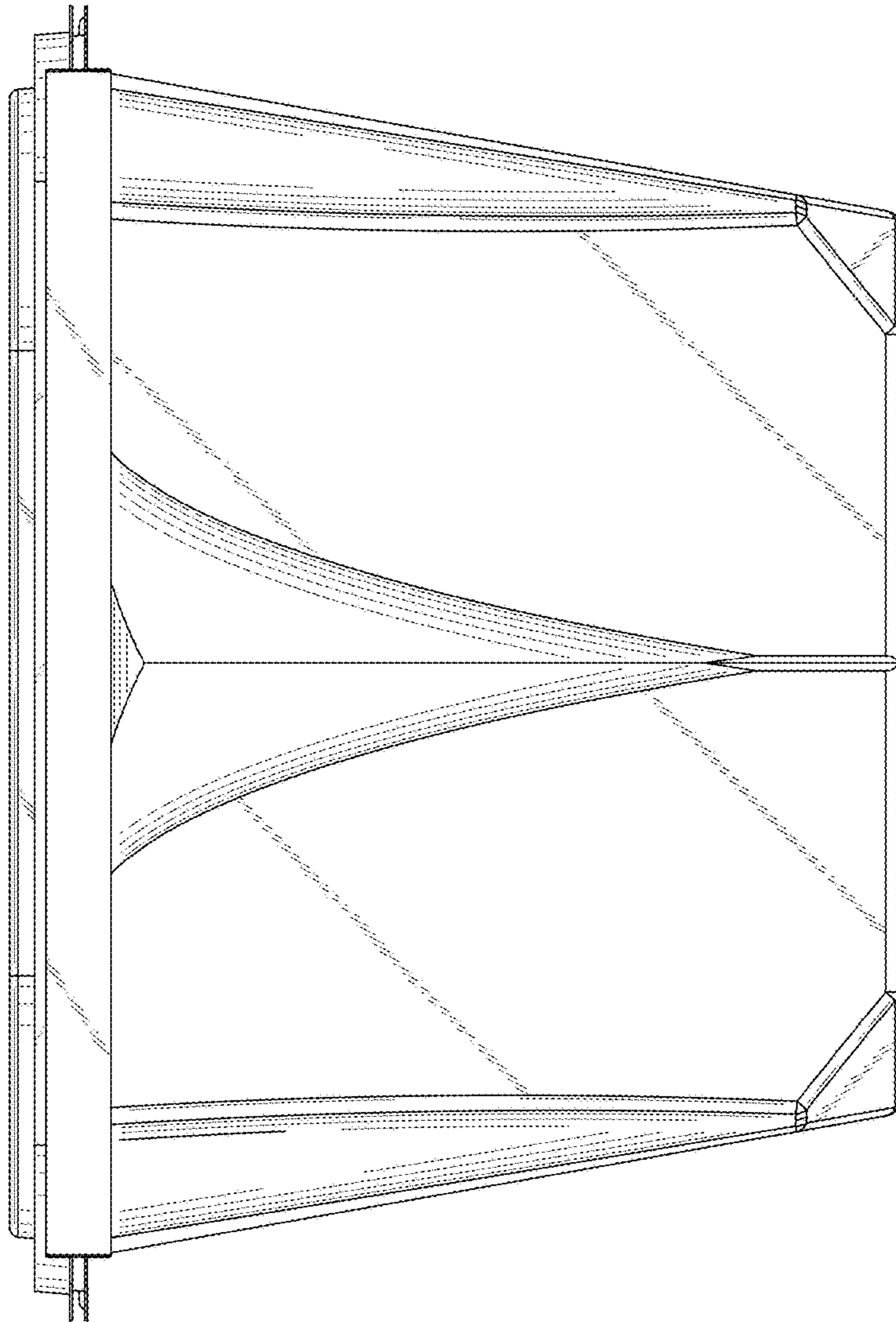


Fig. 5

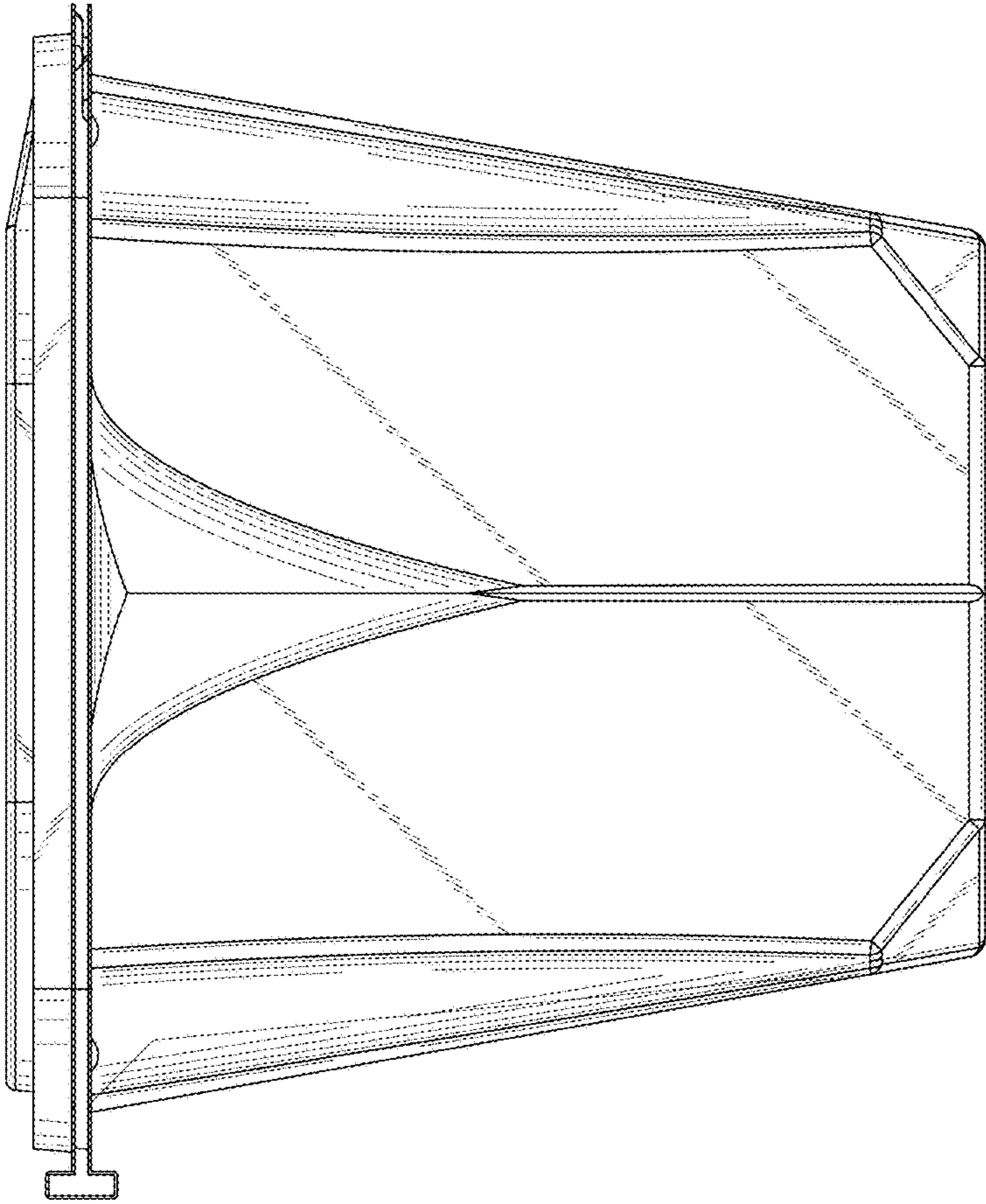


Fig.6

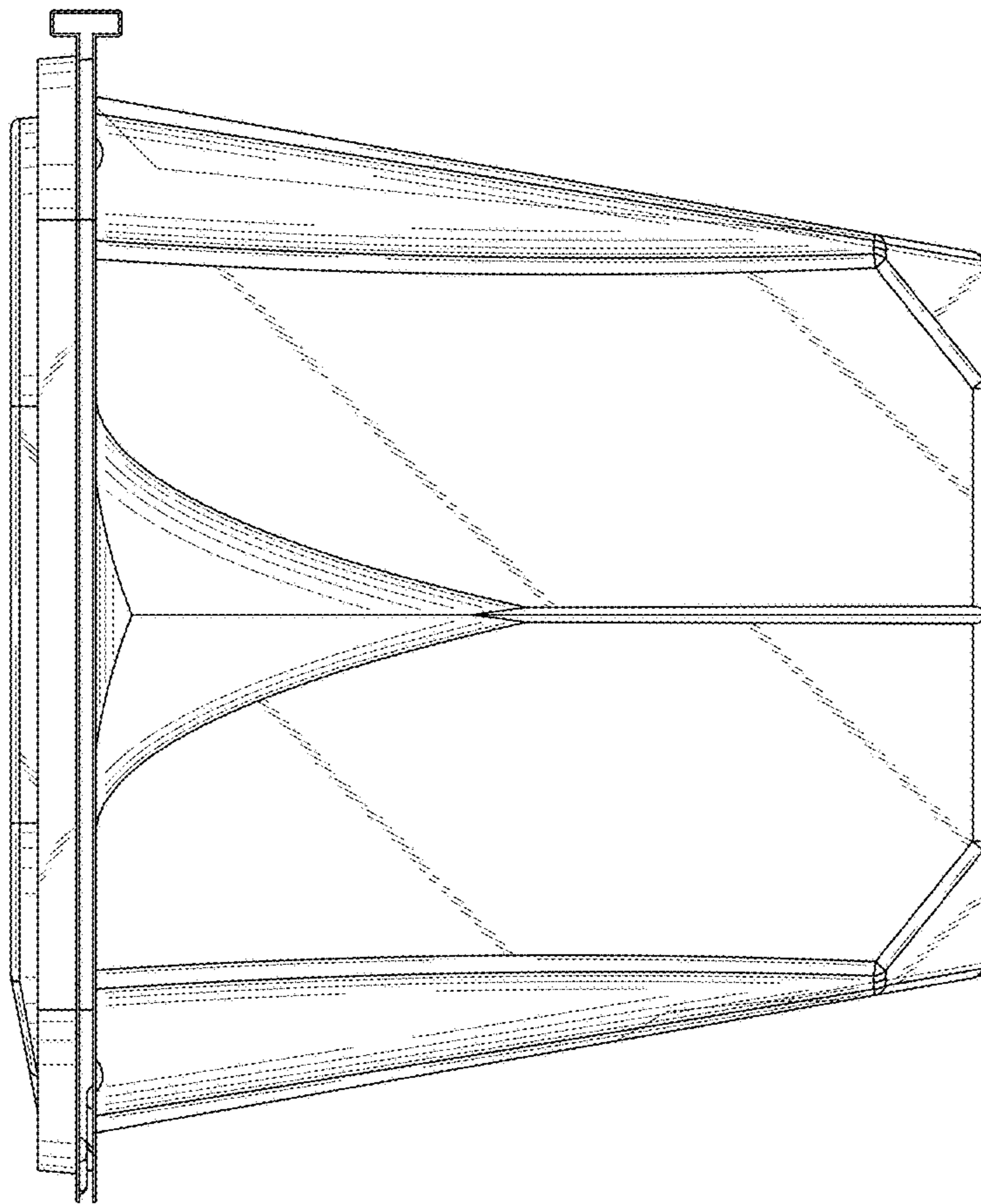


Fig. 7

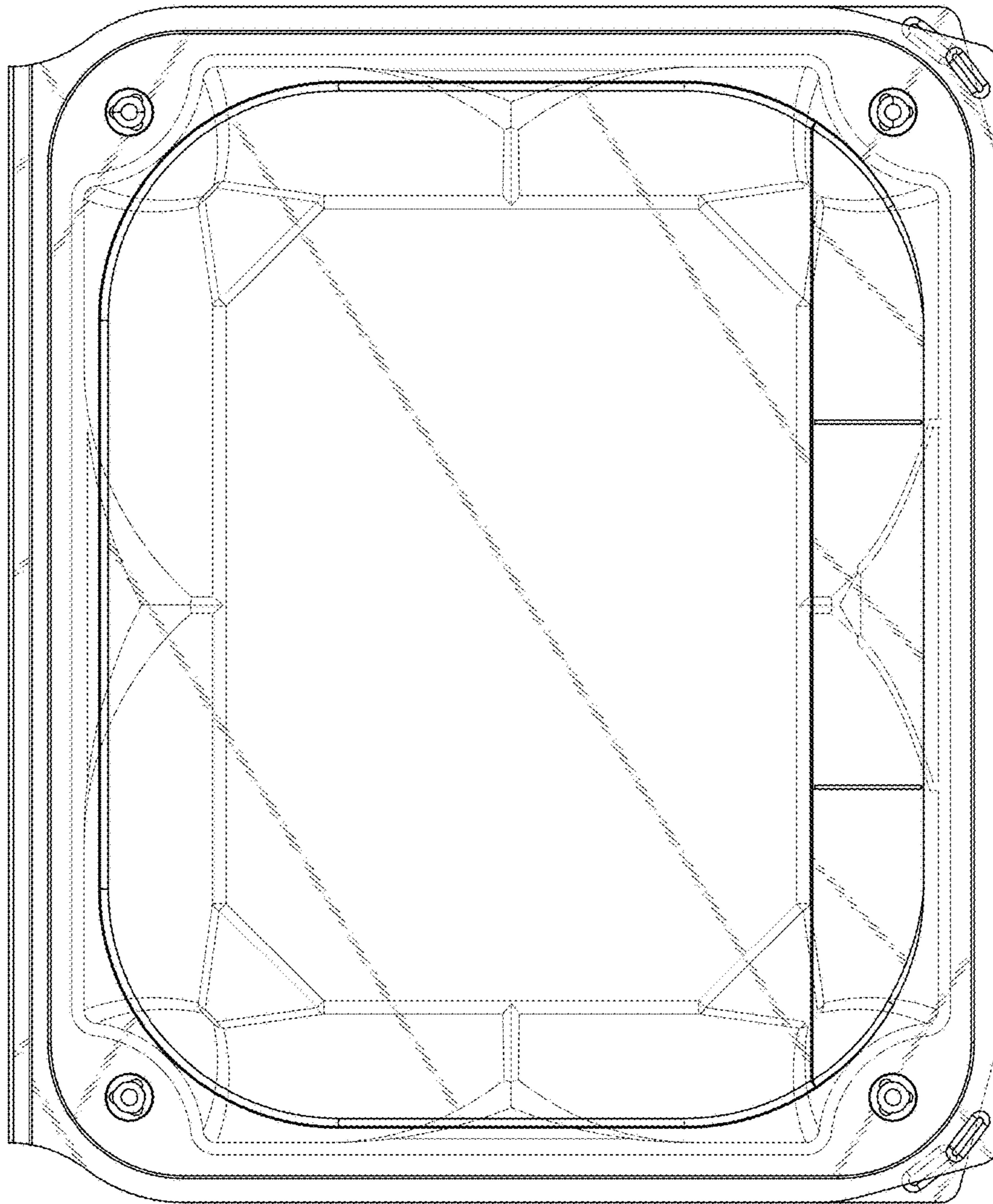


Fig. 8

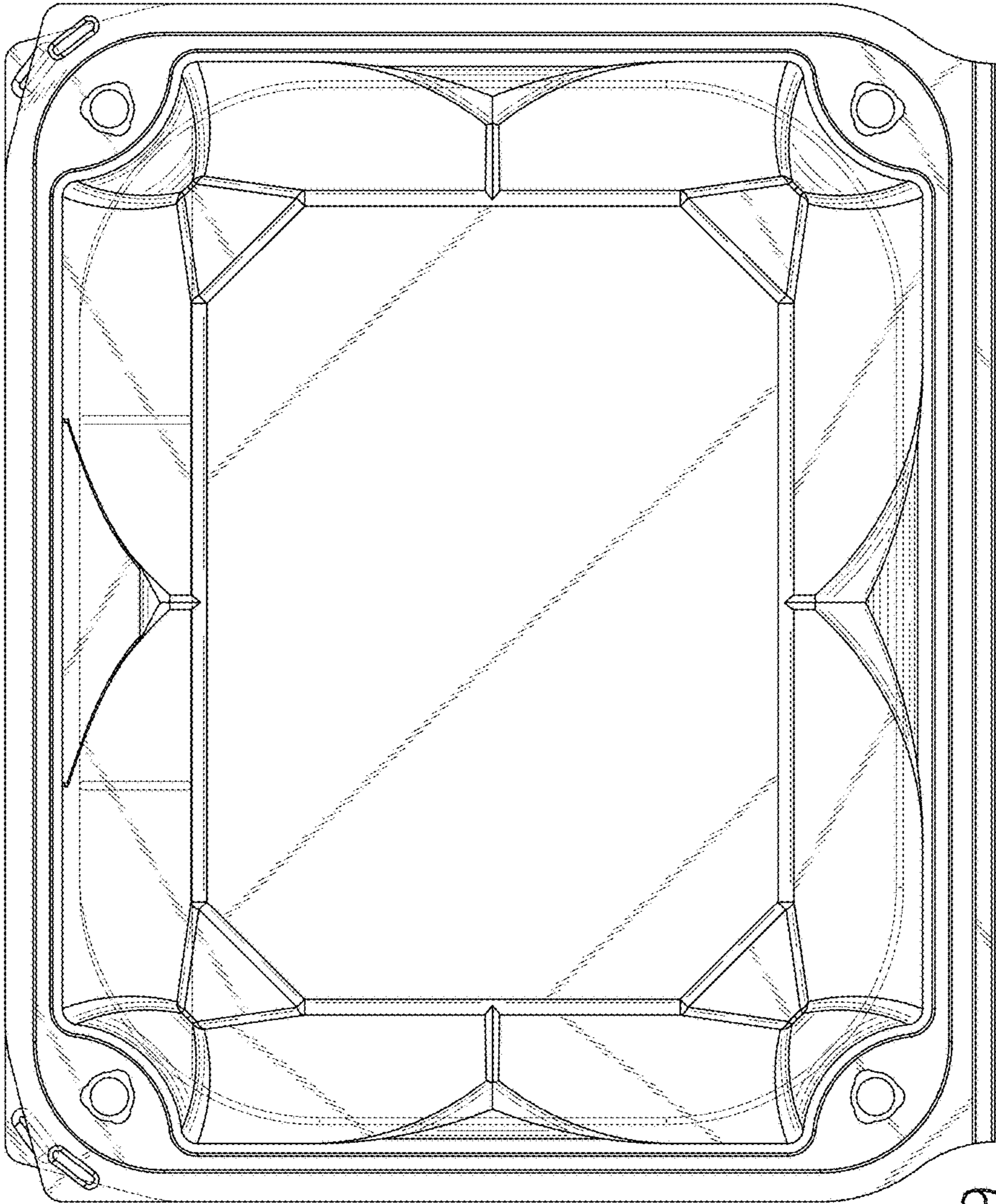


Fig. 9

UNITED STATES PATENT AND TRADEMARK OFFICE
CERTIFICATE OF CORRECTION

PATENT NO. : D845,754 S
APPLICATION NO. : 29/589120
DATED : April 16, 2019
INVENTOR(S) : Craig R. Snedden et al.

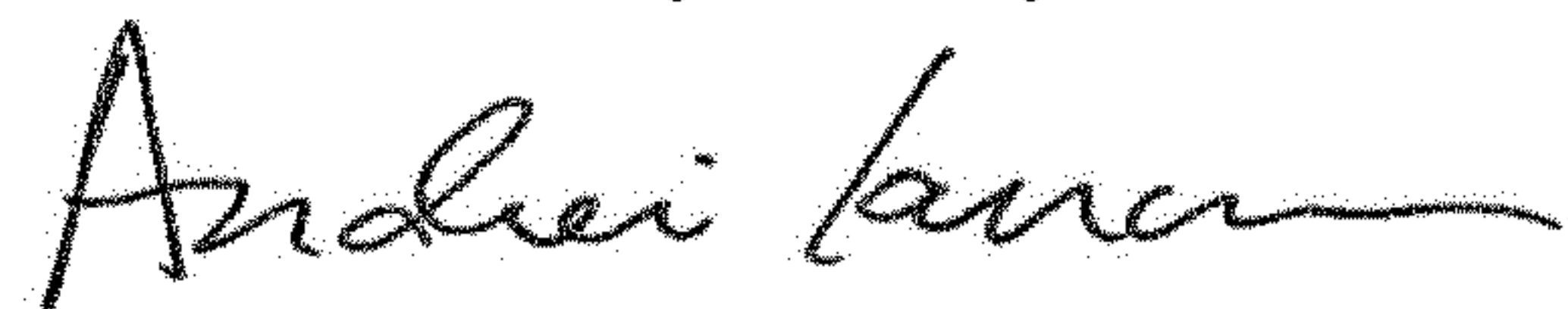
Page 1 of 1

It is certified that error appears in the above-identified patent and that said Letters Patent is hereby corrected as shown below:

On the Title Page

(73) Assignee: reads "DIRECT PACK, INC., Azusa, CA (US)", which should be replaced with
"TANIMURA & ANTLE, INC. Salinas, CA (US); DIRECT PACK, INC., Azusa, CA (US)".

Signed and Sealed this
Ninth Day of July, 2019



Andrei Iancu
Director of the United States Patent and Trademark Office

UNITED STATES PATENT AND TRADEMARK OFFICE
CERTIFICATE OF CORRECTION

PATENT NO. : D845,754 S
APPLICATION NO. : 29/589120
DATED : April 16, 2019
INVENTOR(S) : Craig R. Snedden et al.

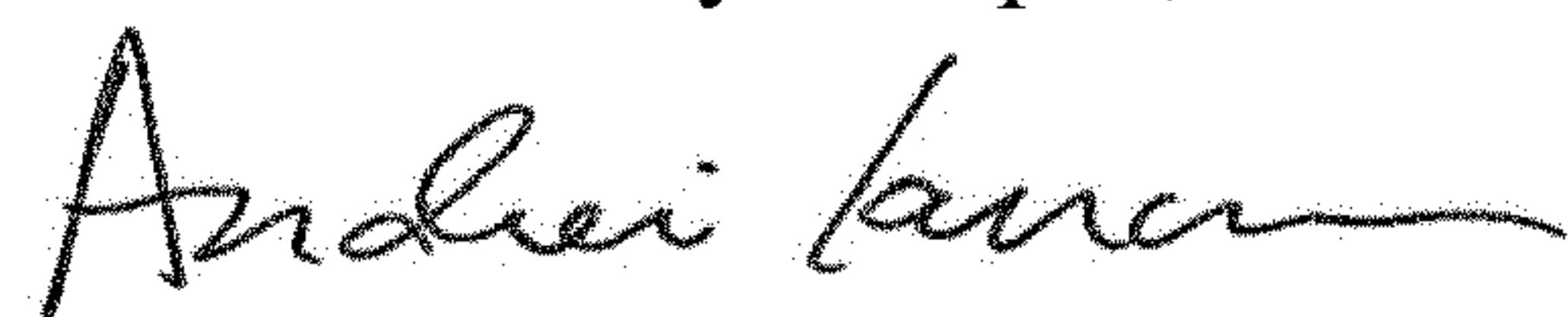
Page 1 of 1

It is certified that error appears in the above-identified patent and that said Letters Patent is hereby corrected as shown below:

On the Title Page

(73) Assignee: reads "TANIMURA & ANTLE, INC. Salinas, CA (US); DIRECT PACK, INC., Azusa, CA (US)" which should be replaced with "TANIMURA & ANTLE FRESH FOODS, INC., Salinas, CA (US); DIRECT PACK, INC., Azusa, CA (US)".

Signed and Sealed this
Seventh Day of April, 2020



Andrei Iancu
Director of the United States Patent and Trademark Office