



US00D845752S

(12) **United States Design Patent**  
**Parish-Allaire**

(10) **Patent No.:** **US D845,752 S**

(45) **Date of Patent:** **\*\* Apr. 16, 2019**

- (54) **PUSH PLATE**
- (71) Applicant: **Kristine L. Parish-Allaire**, Las Vegas, NV (US)
- (72) Inventor: **Kristine L. Parish-Allaire**, Las Vegas, NV (US)
- (\*\*) Term: **15 Years**
- (21) Appl. No.: **29/554,209**
- (22) Filed: **Feb. 9, 2016**
- (51) **LOC (11) Cl.** ..... **08-09**
- (52) **U.S. Cl.**  
USPC ..... **D8/404**
- (58) **Field of Classification Search**  
USPC ..... D8/107, 300-309, 321, 330, 331, 343, D8/346, 347, 349, 404  
CPC . E05B 1/0015; E05B 15/1607; E05B 65/0025  
See application file for complete search history.

(56) **References Cited**

U.S. PATENT DOCUMENTS

4,208,841	A *	6/1980	Starks	.....	E05D 13/06
					24/450
D284,268	S *	6/1986	Dallaire	.....	D8/402
5,927,018	A *	7/1999	Thain	.....	E05B 53/001
					16/86 R
6,067,690	A *	5/2000	Herman	.....	E05B 53/001
					16/412
7,043,799	B2 *	5/2006	Moody	.....	E05B 53/001
					16/412
D680,849	S *	4/2013	Berger	.....	D8/308

8,752,334	B1 *	6/2014	Vanduch	.....	E05B 53/001
					16/422
D778,373	S *	2/2017	Gossett	.....	D21/685
D779,910	S *	2/2017	Paquette	.....	D8/308
9,714,524	B2 *	7/2017	Parish-Allaire	.....	E05B 1/0015
9,822,572	B2 *	11/2017	Brown	.....	E05F 11/54
2004/0261226	A1 *	12/2004	Moody	.....	E05B 53/001
					16/413
2007/0271731	A1 *	11/2007	Fuller	.....	E05F 5/06
					16/82
2014/0197648	A1 *	7/2014	Brown	.....	E05F 11/54
					292/336.3
2016/0230415	A1 *	8/2016	Parish-Allaire	.....	E05B 1/0015

\* cited by examiner

*Primary Examiner* — Janice Hallmark  
*Assistant Examiner* — Harold E Blackwell, II

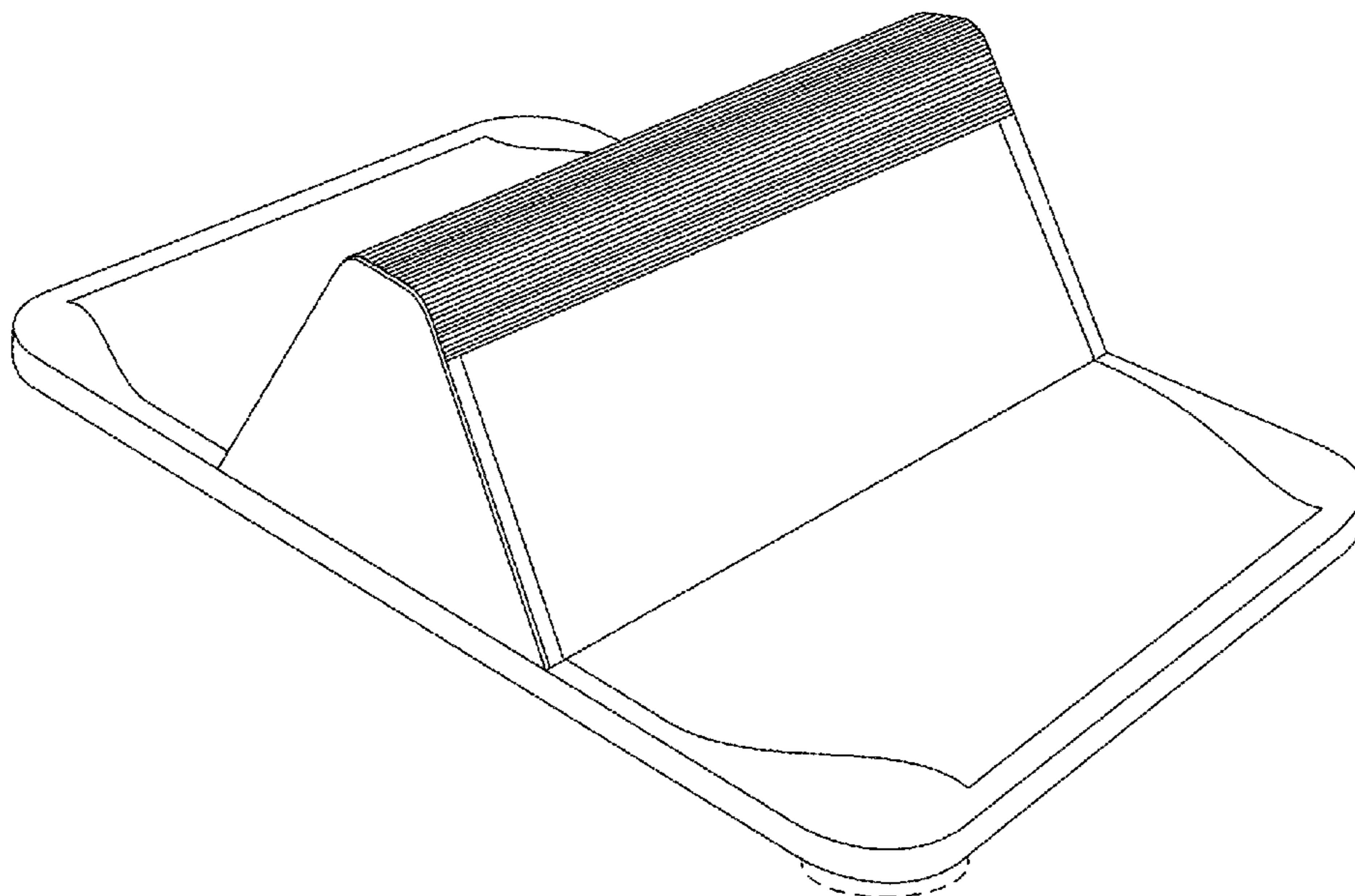
(57) **CLAIM**

The ornamental design for a push plate, substantially as shown and described.

**DESCRIPTION**

FIG. 1 is a top perspective view of a push plate showing my new design;  
 FIG. 2 is a left side perspective view thereof, the right side perspective view is a mirror image;  
 FIG. 3 is a bottom perspective view thereof; and,  
 FIG. 4 is a front perspective view thereof, showing the push plate in attached to a sliding door in an environment of use. A right side view is not shown because it is symmetric to the left side view.  
 The broken lines illustrate environmental subject matter only and form no part of the claimed design.

**1 Claim, 4 Drawing Sheets**



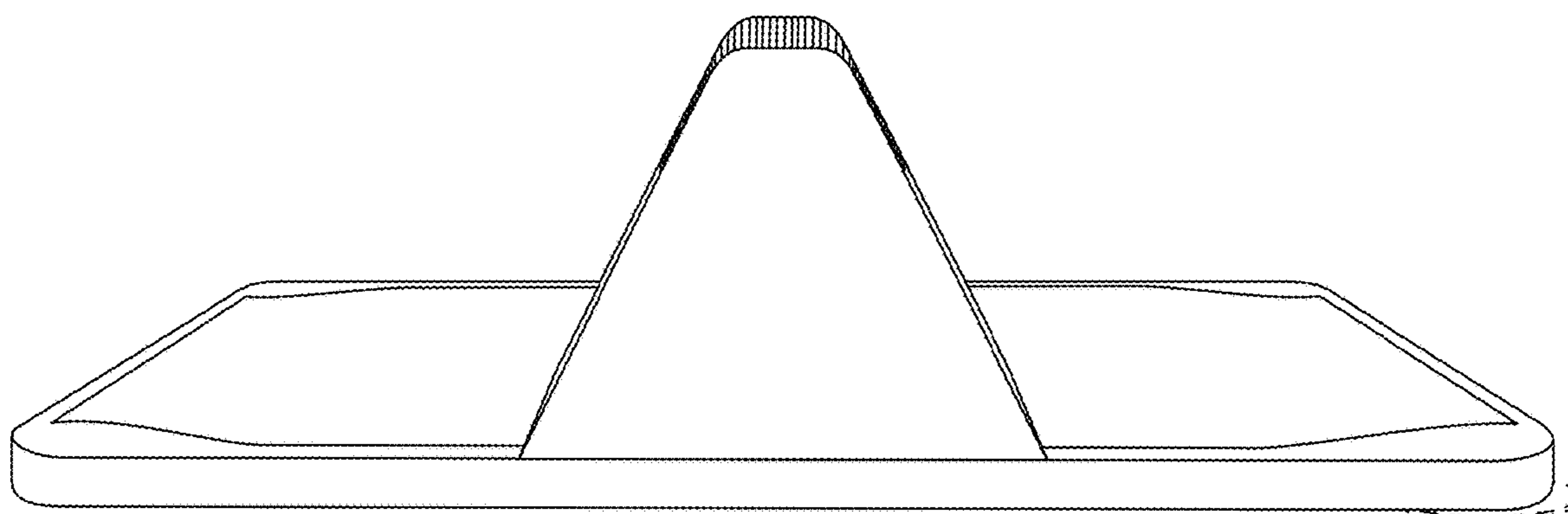


FIG. 1

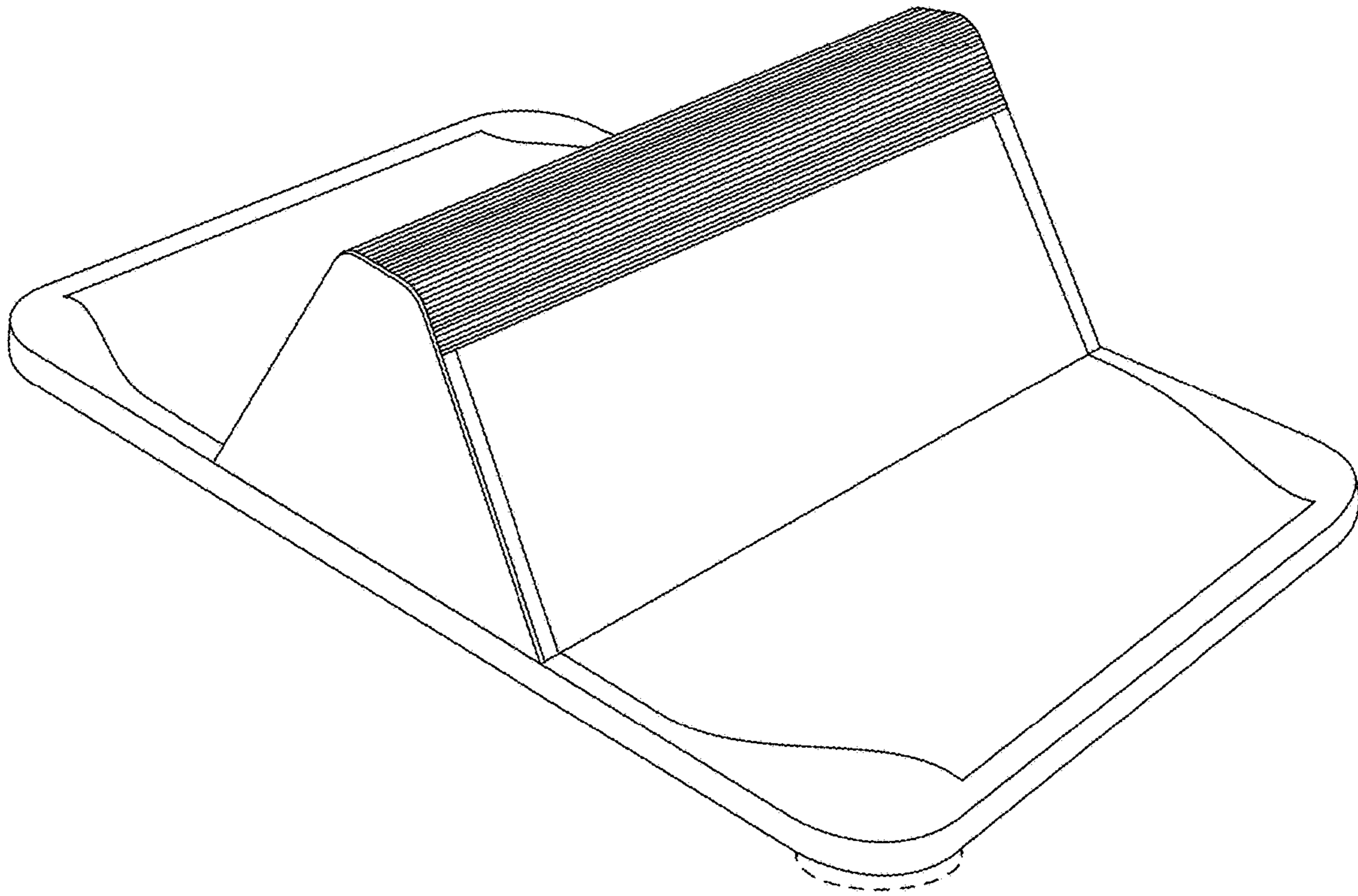


FIG. 2

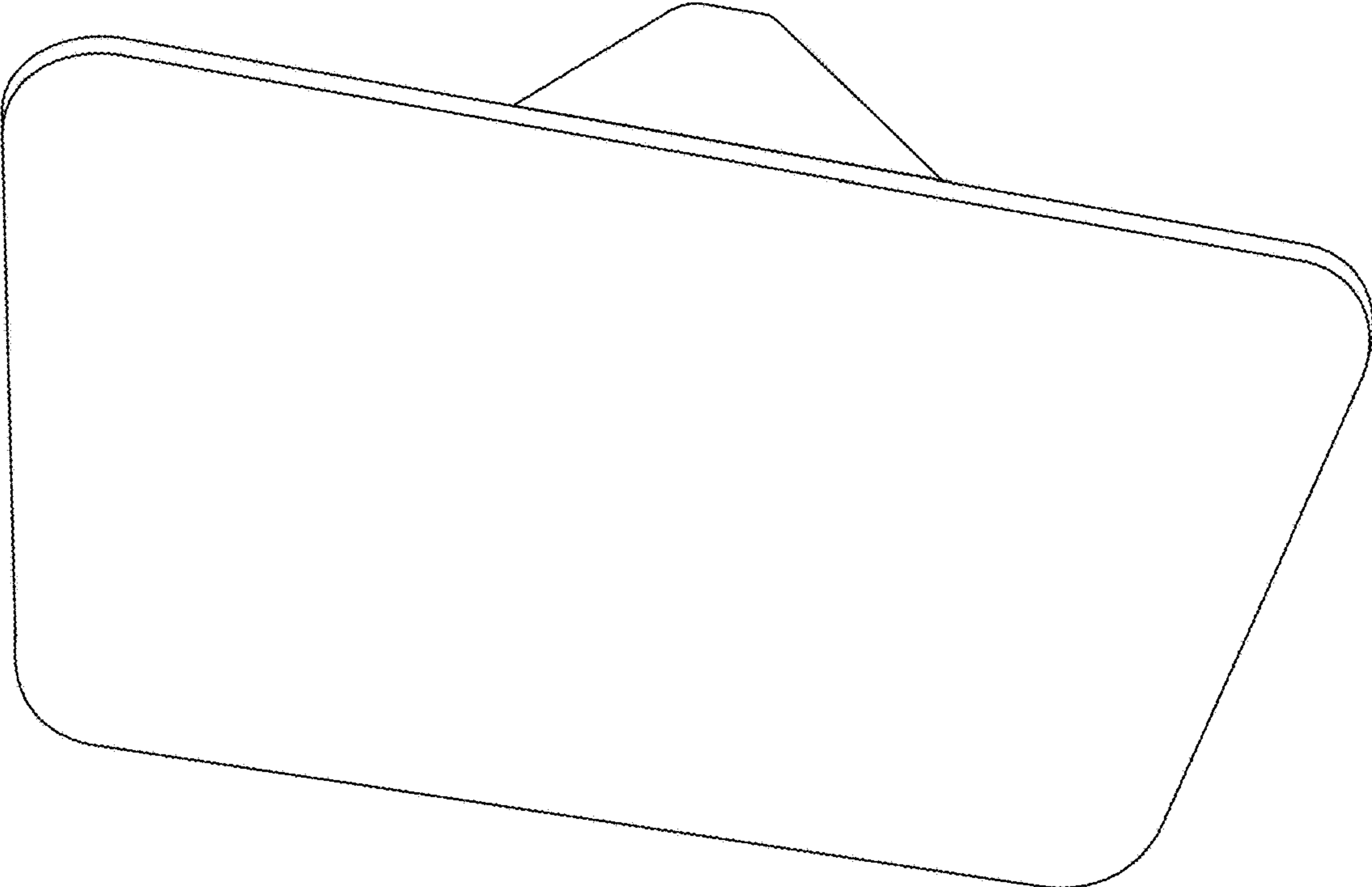


FIG. 3

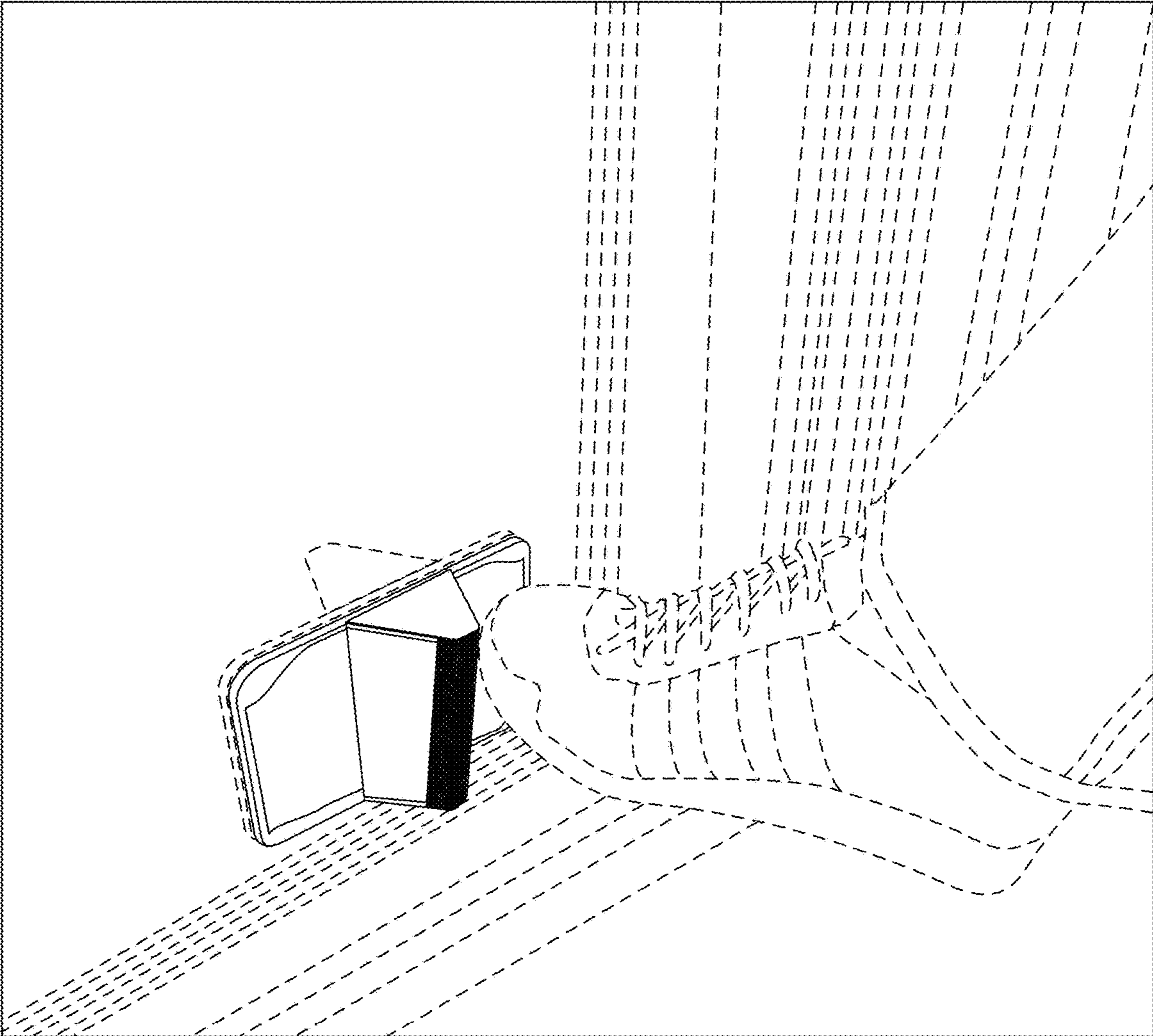


FIG. 4