



US00D845750S

(12) **United States Design Patent** (10) **Patent No.:** **US D845,750 S**
Denby et al. (45) **Date of Patent:** **** Apr. 16, 2019**

(54) **EYEGLASS SUPPORT BRACKET**

(71) Applicant: **TARGET BRANDS, INC.**,
Minneapolis, MN (US)
(72) Inventors: **Scott E. Denby**, Minneapolis, MN
(US); **Matthew Peterson**, Elk River,
MN (US)
(73) Assignee: **TARGET BRANDS, INC.**,
Minneapolis, MN (US)

(**) Term: **15 Years**

(21) Appl. No.: **29/554,093**

(22) Filed: **Feb. 8, 2016**

(51) **LOC (11) Cl.** **08-05**

(52) **U.S. Cl.**
USPC **D8/381**

(58) **Field of Classification Search**
USPC D8/380, 381; D6/567, 512, 553, 572
CPC A47F 5/08; A47F 7/02
See application file for complete search history.

(56) **References Cited**

U.S. PATENT DOCUMENTS

2,623,722	A	12/1952	Glunt et al.
2,884,220	A	4/1959	Manley
2,958,495	A	11/1960	Foster
3,333,708	A	8/1967	Leblanc et al.
3,351,208	A	11/1967	Siegel
3,884,357	A	5/1975	Bloch
3,924,750	A	12/1975	Dunchock
D245,956	S	10/1977	Dunchock
4,128,224	A	12/1978	Guichard
4,805,781	A	2/1989	Tegel

(Continued)

FOREIGN PATENT DOCUMENTS

GB 2024003 A 1/1980

OTHER PUBLICATIONS

“Standing Eyeglass Case”, printed from <http://blinsodt.com/standing-eyeglass-case/>, publicly available at least as early as Jan. 20, 2016 (11 pages).

(Continued)

Primary Examiner — Janice Hallmark
Assistant Examiner — Harold E Blackwell, II
(74) *Attorney, Agent, or Firm* — JoAnn M. Seaton;
Griffiths & Seaton PLLC

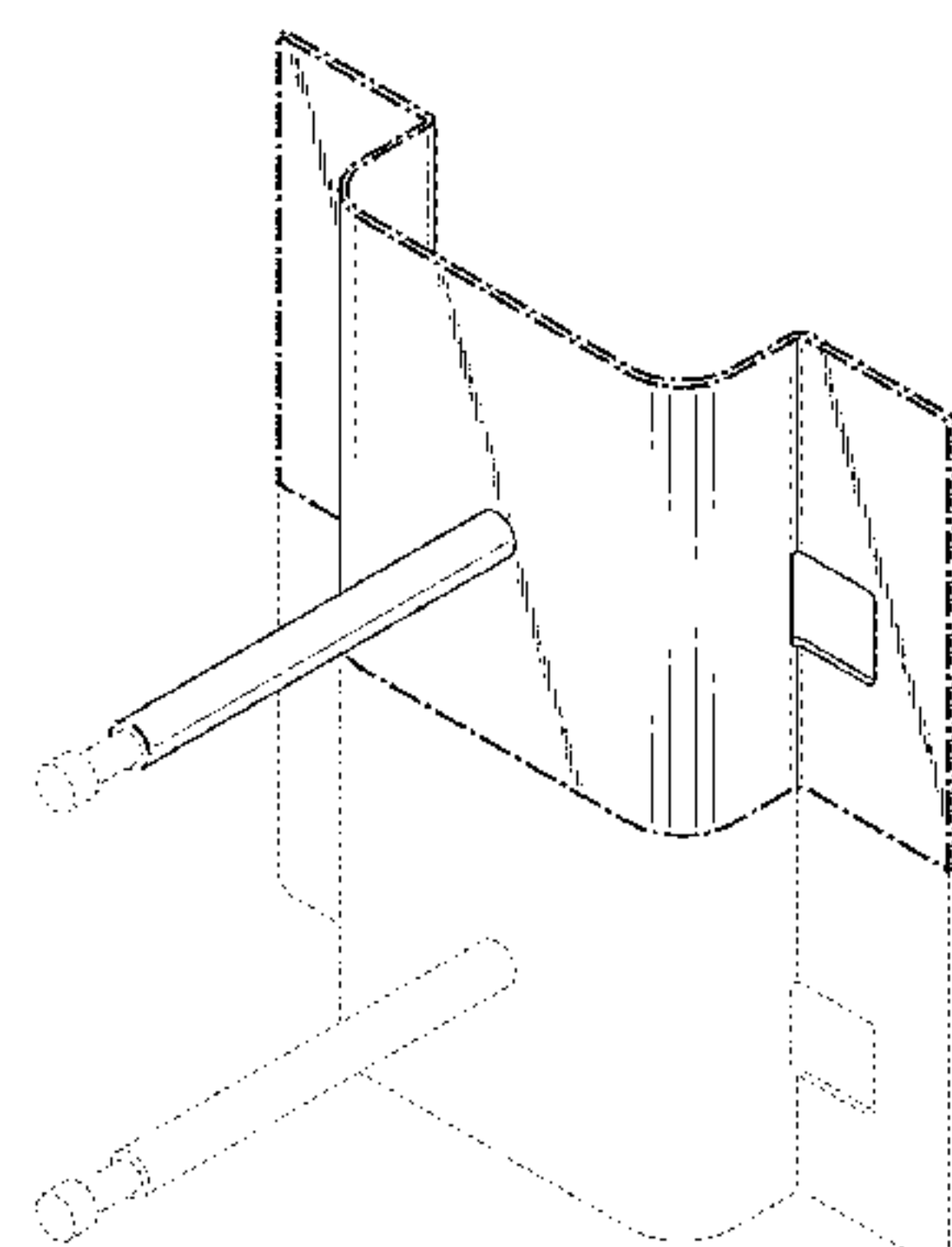
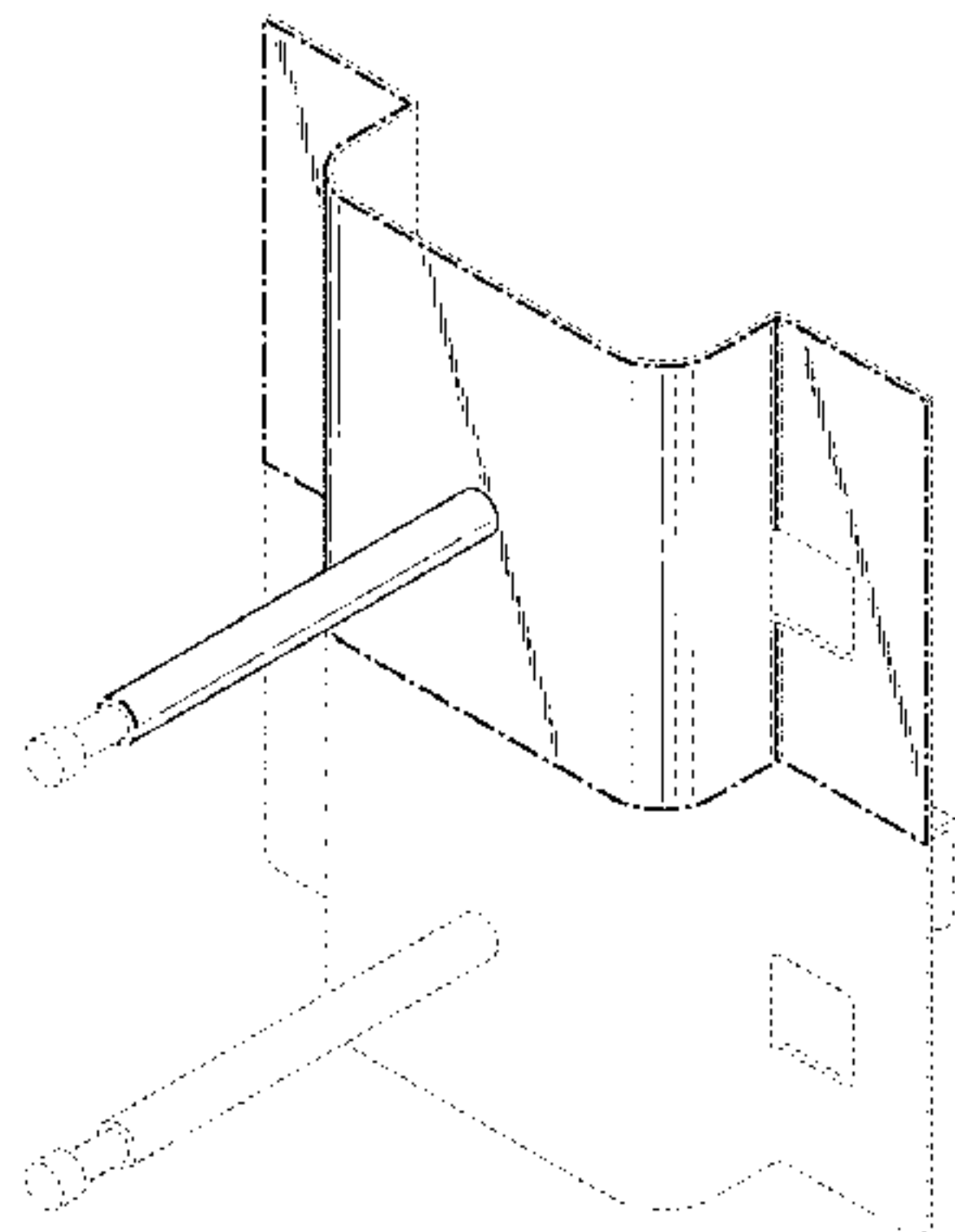
(57) **CLAIM**

The ornamental design for an eyeglass support bracket, as shown and described.

DESCRIPTION

FIG. 1 is a front perspective view of an eyeglass support bracket showing a first embodiment of our new design; FIG. 2 is a rear perspective view thereof; FIG. 3 is a front view thereof; FIG. 4 is a rear view thereof; FIG. 5 is a right side view thereof, the left side view being a mirror image of the right side view; FIG. 6 is a top view thereof; and FIG. 7 is a bottom view thereof. FIG. 8 is a front perspective view of an eyeglass support bracket showing a second embodiment of our new design; FIG. 9 is a rear perspective view thereof; FIG. 10 is a front view thereof; FIG. 11 is a rear view thereof; FIG. 12 is a right side view thereof, the left side view being a mirror image of the right side view; FIG. 13 is a top view thereof; and, FIG. 14 is a bottom view thereof. In the drawings, the broken line depict unclaimed subject matter only and form no part of the claimed design. The features shown in dash dot dash lines indicate the bounds of the claimed design and form no part of the claimed design.

1 Claim, 14 Drawing Sheets



(56)

References Cited

U.S. PATENT DOCUMENTS

D328,826 S 8/1992 Berger
 5,163,567 A * 11/1992 Betts, Sr. A47F 5/0815
 211/59.1
 5,255,796 A 10/1993 Josephson
 D351,955 S 11/1994 Ennis
 D374,366 S * 10/1996 Eldon, III D6/567
 5,593,045 A * 1/1997 Eldon, III A47F 5/0823
 211/85.1
 D406,714 S * 3/1999 Eldon, III D6/567
 6,763,956 B2 * 7/2004 Woods A47B 73/00
 211/74
 8,434,630 B2 * 5/2013 Clark A47F 5/103
 211/189
 D684,396 S 6/2013 Stukenberg et al.
 D685,588 S 7/2013 Stukenberg et al.
 8,833,571 B2 * 9/2014 Anderson A47F 7/021
 211/126.14
 D722,462 S * 2/2015 Callahan D6/682.6
 D778,640 S * 2/2017 Martell D6/675

OTHER PUBLICATIONS

“Eyewear Displays—Slatwall”, printed from www.framedisplays.com/eydisl.html, publicly available at least as early as Jan. 29, 2015 (2 pages).
 “Slatwall Acrylic Eyewear Display”, printed from www.carlson-store-fixtures.com/products/slatwall-acrylic-eyewear-display, publicly available at least as early as Jan. 18, 2016 (3 pages).
 “Eye Glass Displays”, printed from <http://glasxt.net/eye-glass-displays/>, publicly available at least as early as Jan. 18, 2016 (12 pages).
 “Double Wing Display Tower”, printed from www.cnsdisplays.com/dowidito1.html, publicly available at least as early as Aug. 12, 2014, per <http://web.archive.org> (4 pages).
 “Counter Top Rotating Sunglass Display Rack”, printed from www.ctswholesalesunglasses.com/counter-top-rotating-sunglass-display-rack-holds-48-pair-7050-1-pc/, publicly available at least as early as Jan. 15, 2015, per <http://web.archive.org> (2 pages).
 U.S. Appl. No. 29/500,526, filed Aug. 26, 2014 (9 pages).

* cited by examiner

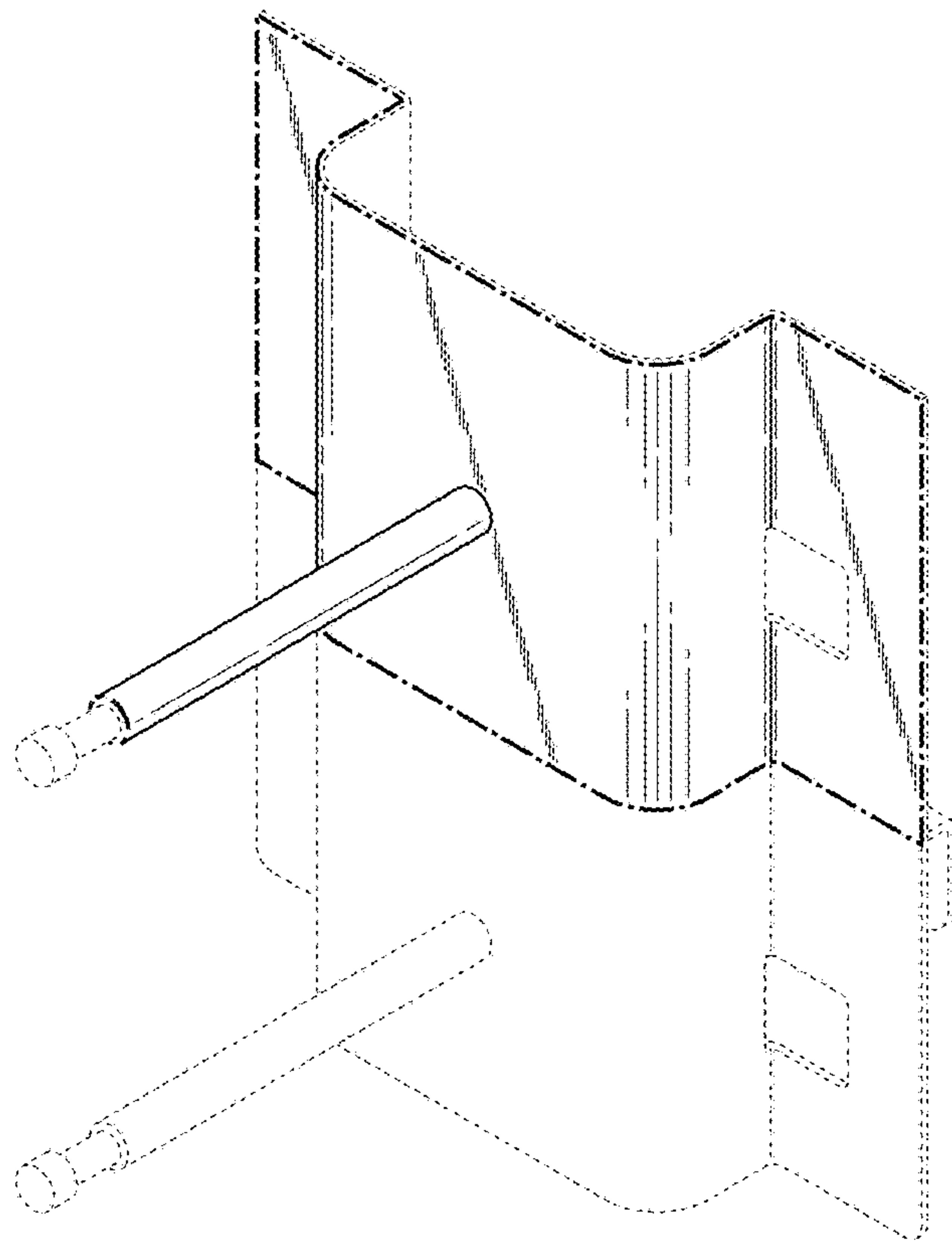


FIG. 1

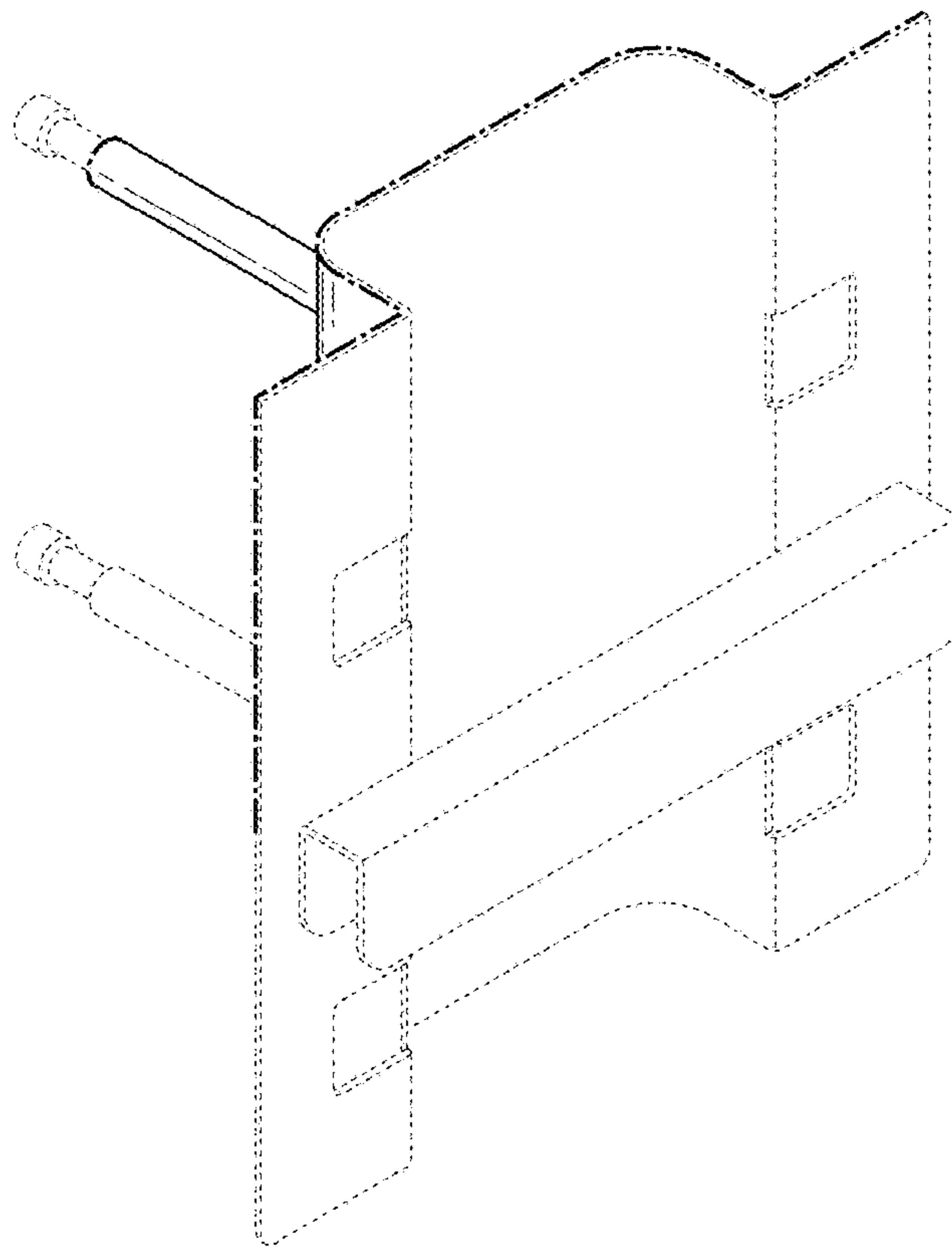


FIG. 2

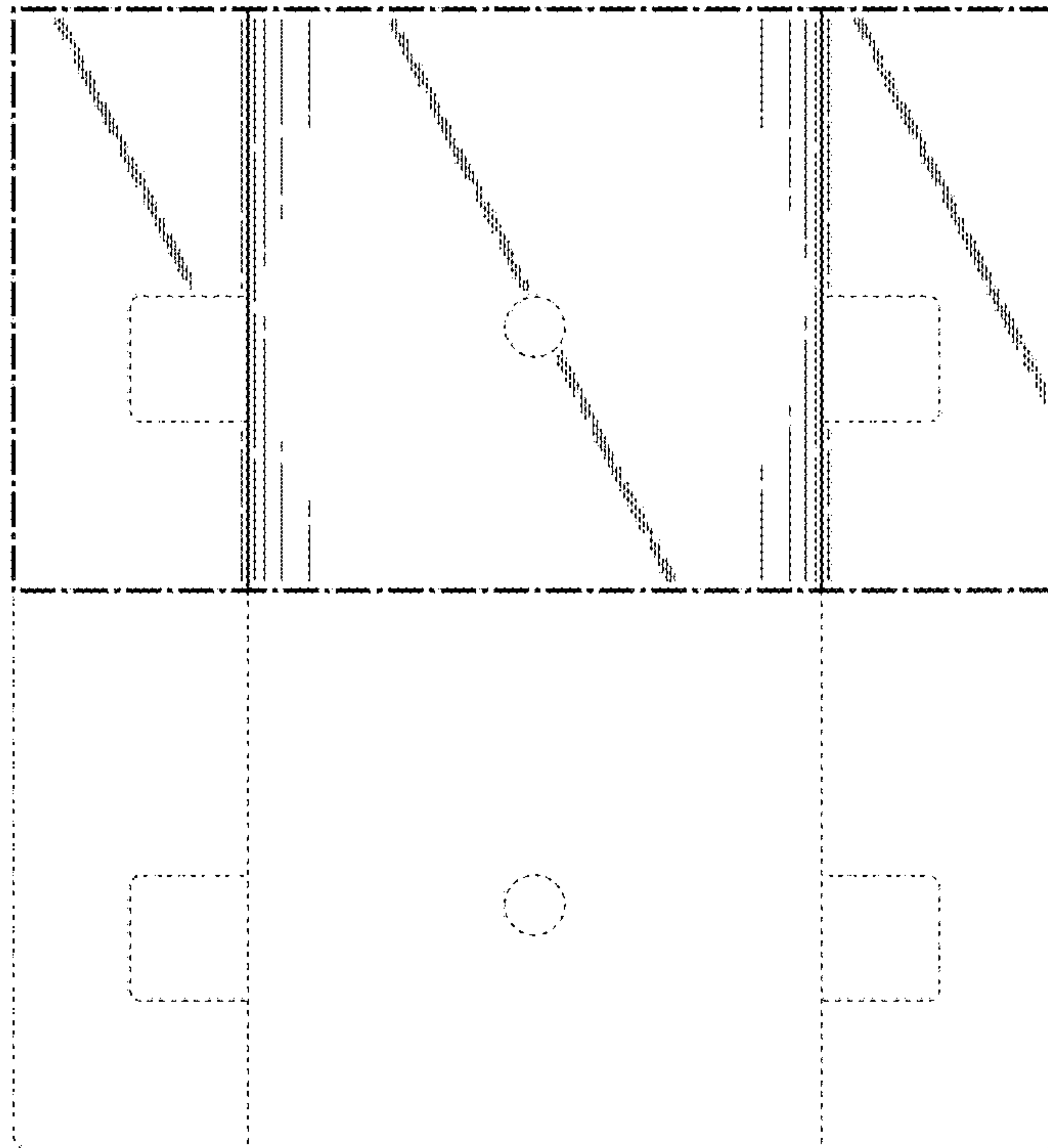


FIG. 3

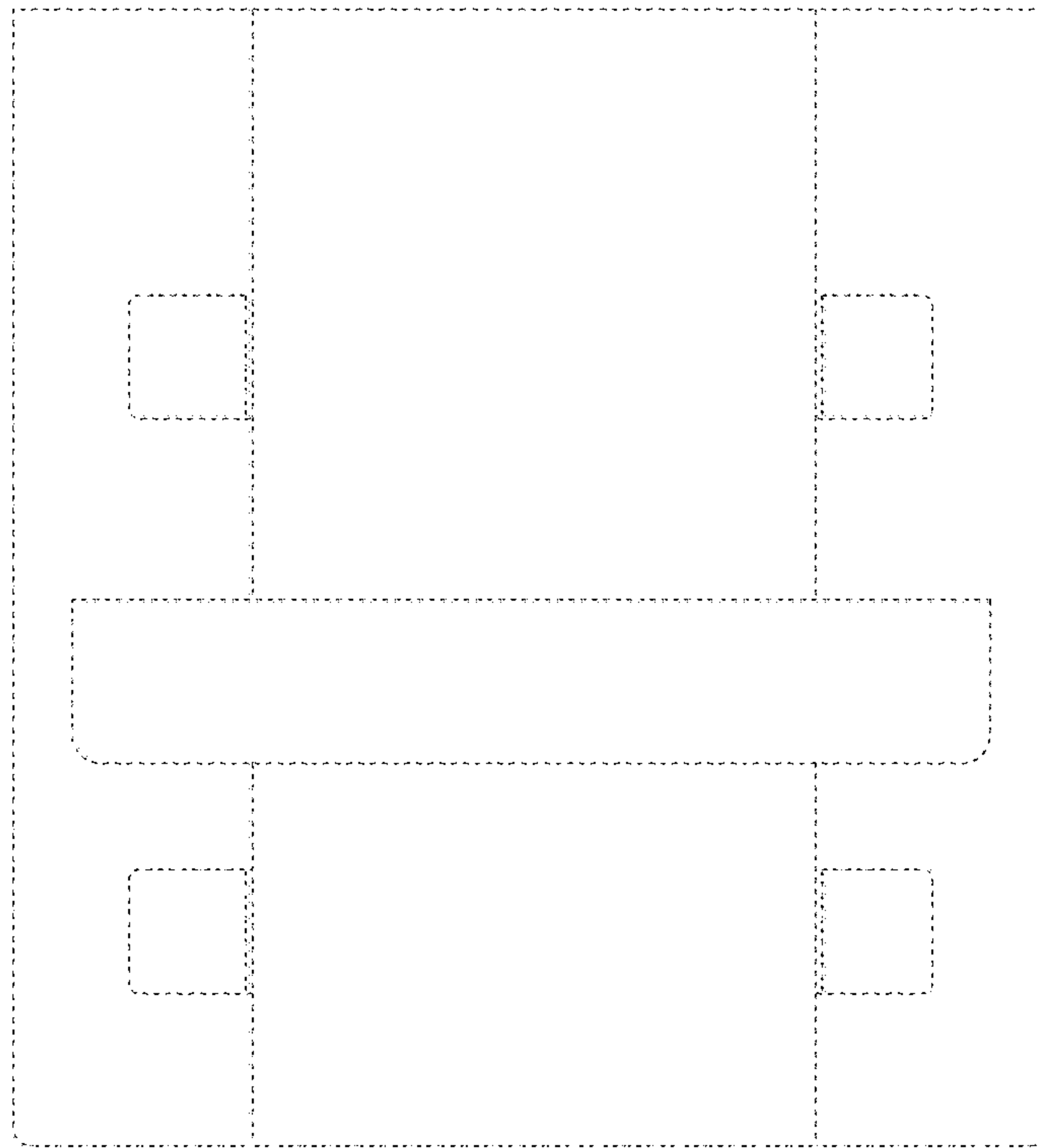


FIG. 4

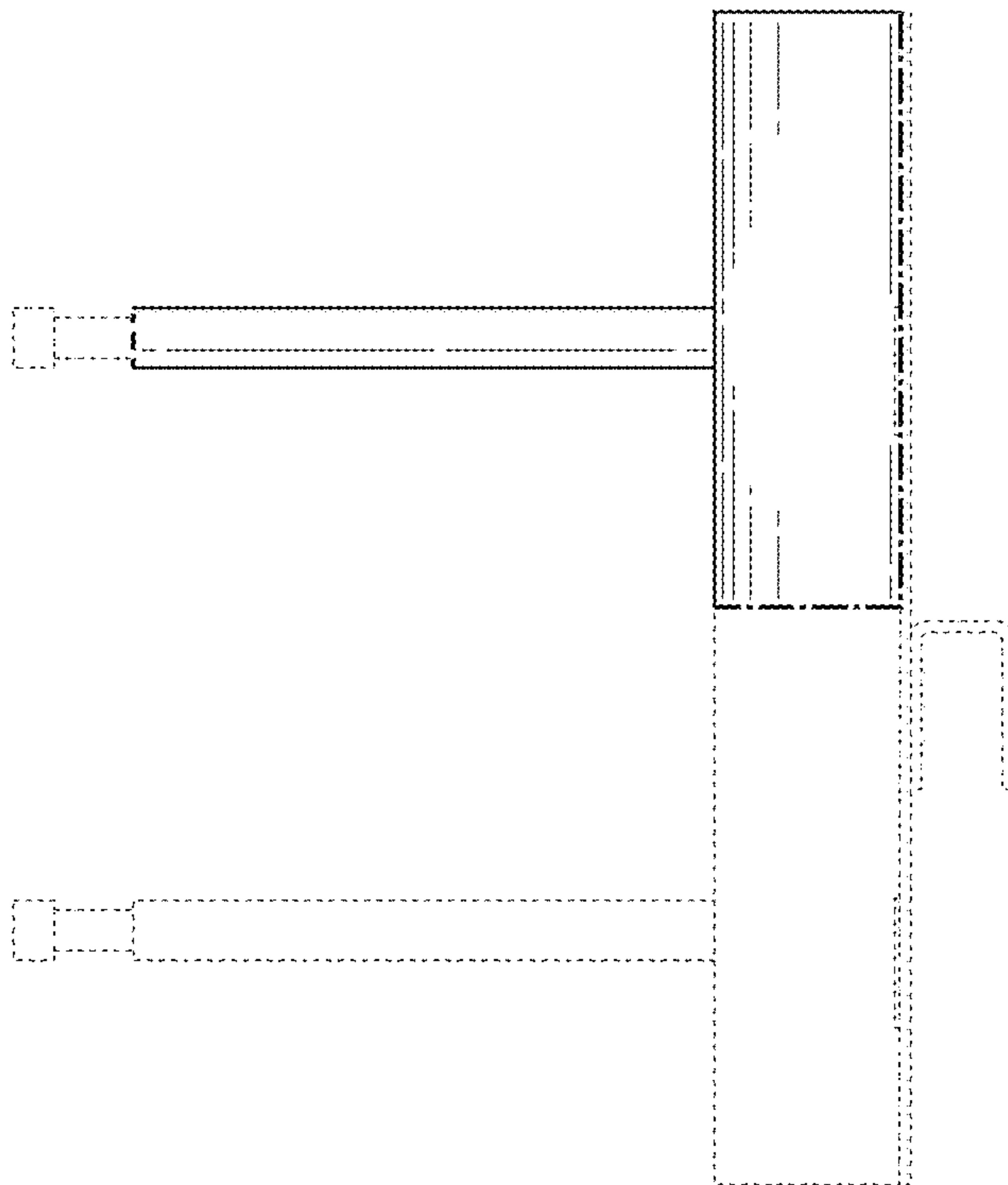


FIG. 5

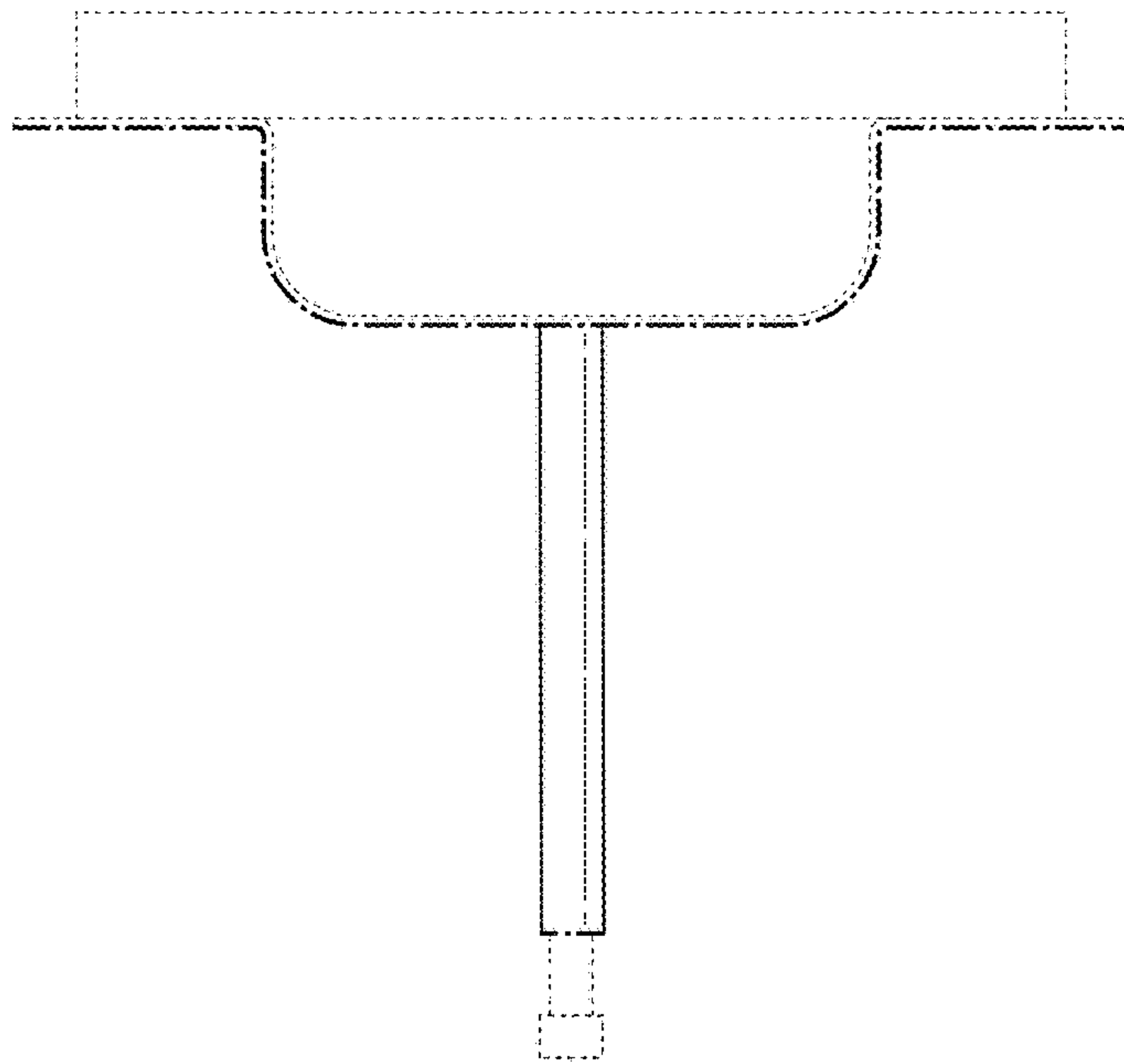


FIG. 6

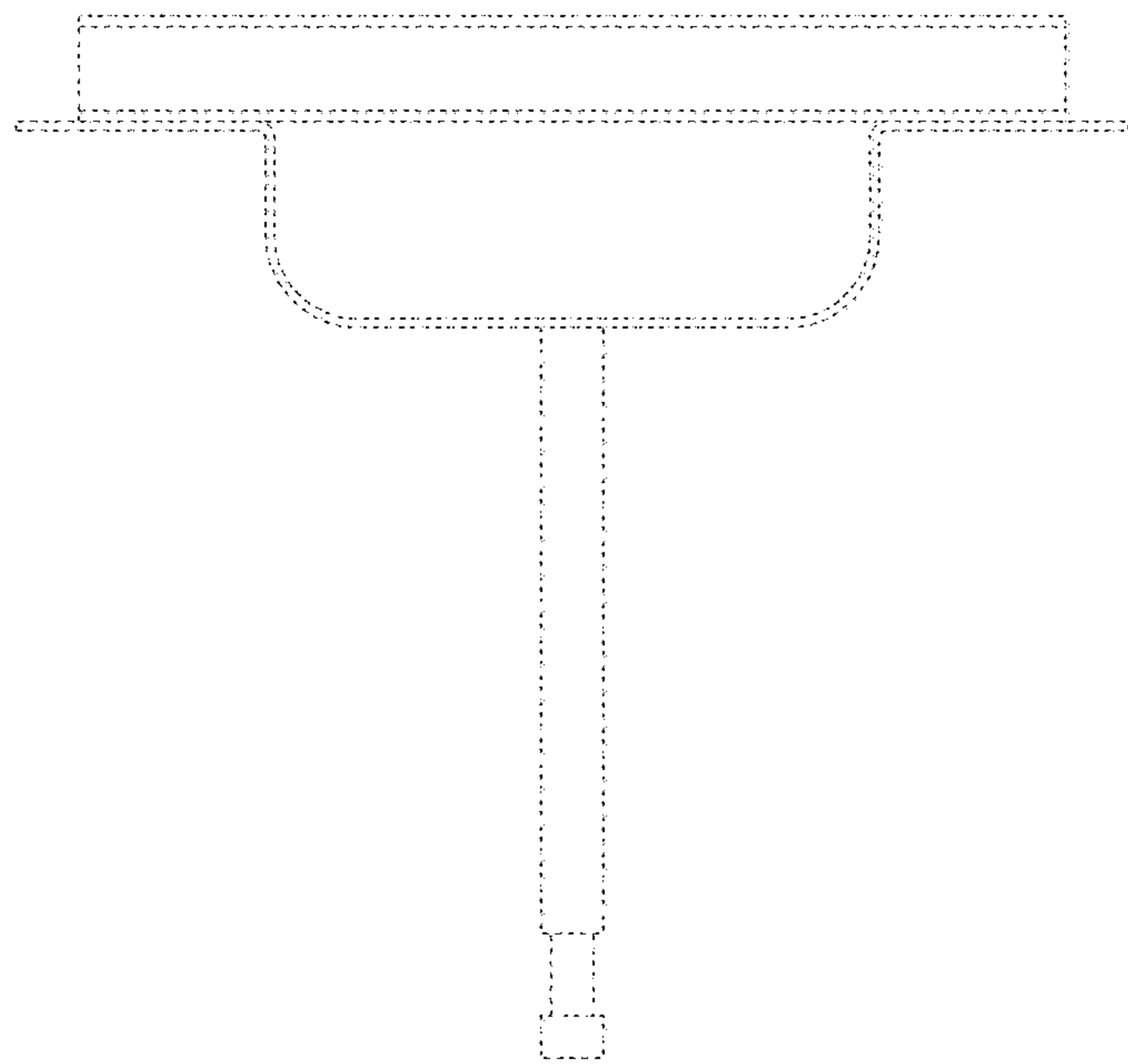


FIG. 7

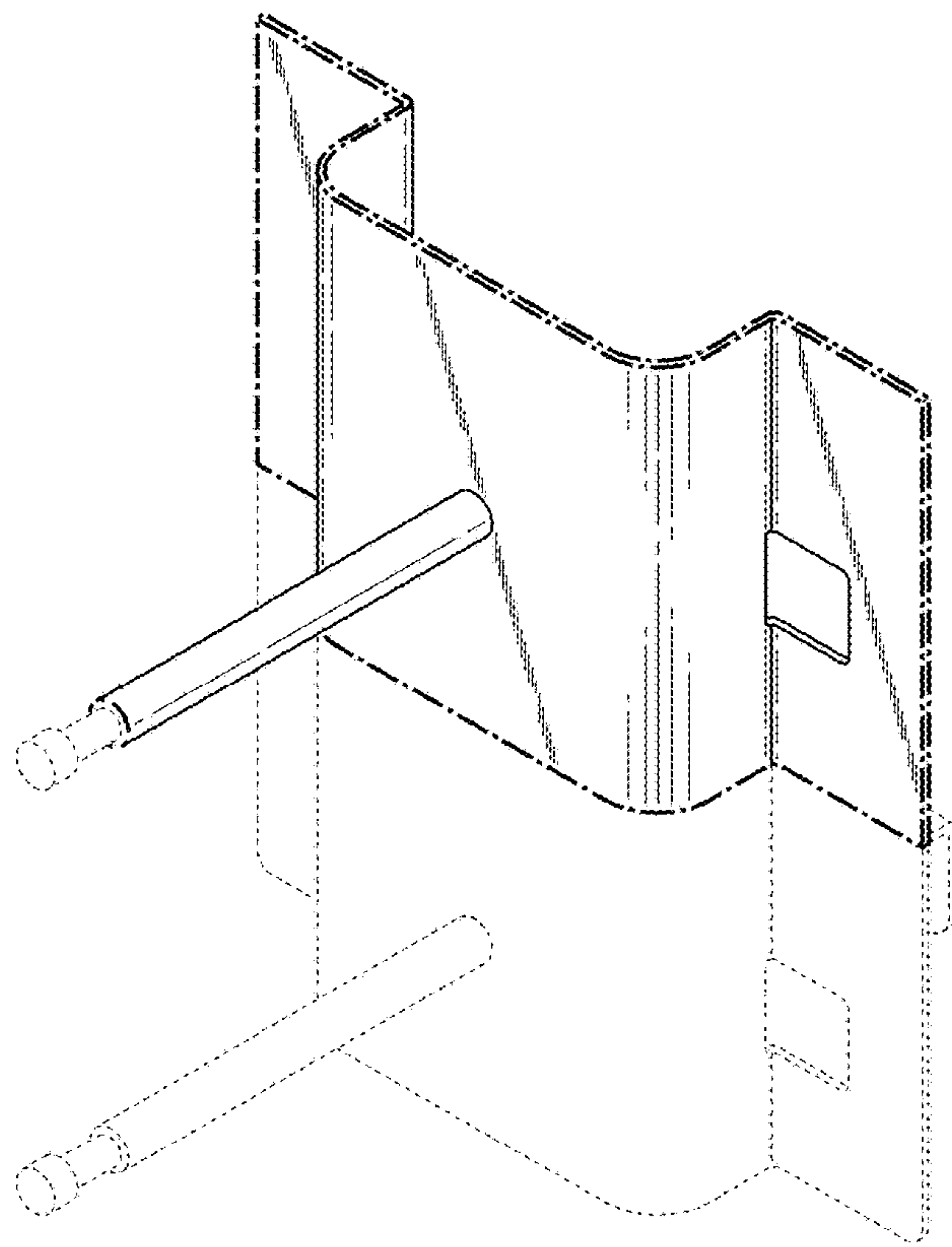


FIG. 8

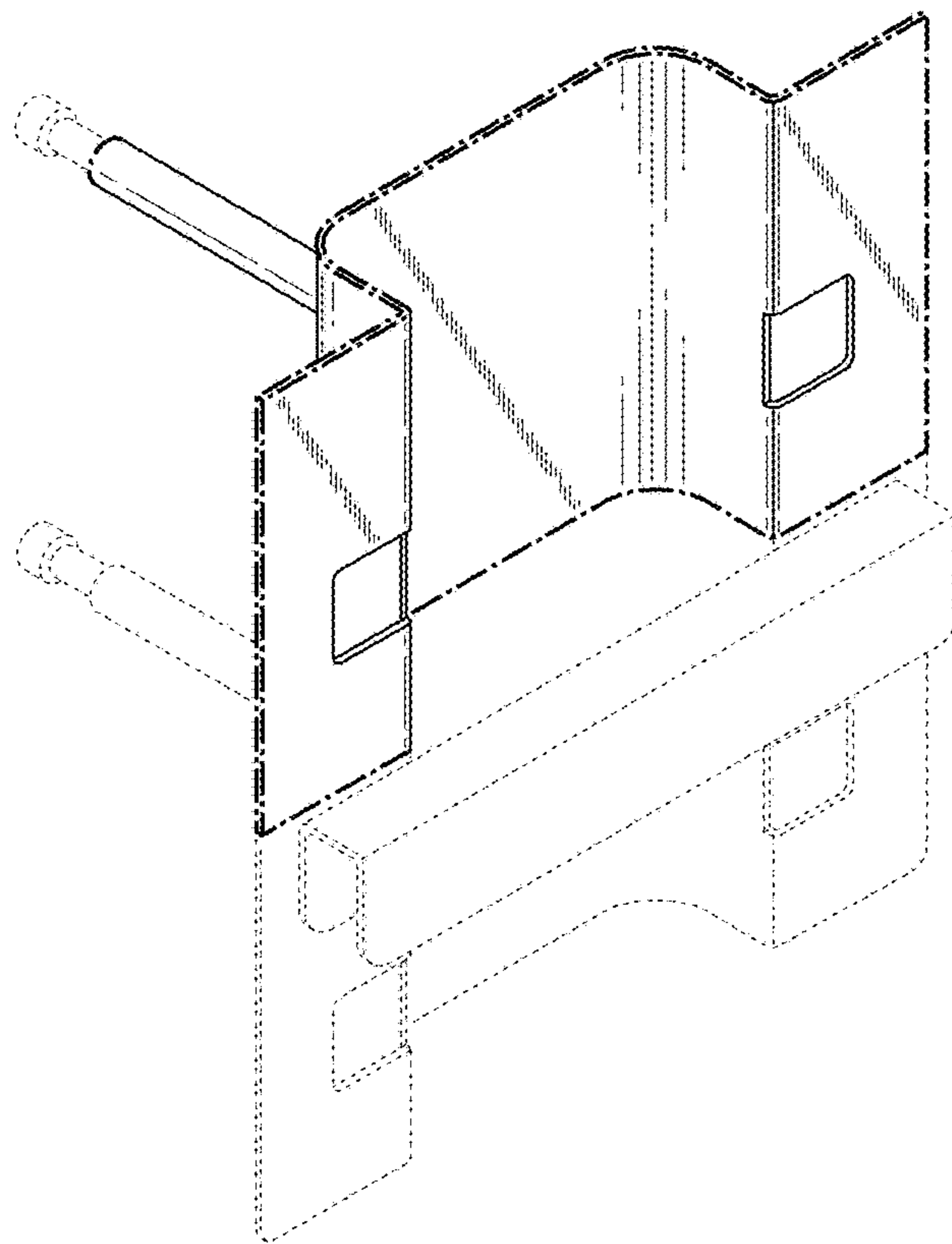


FIG. 9

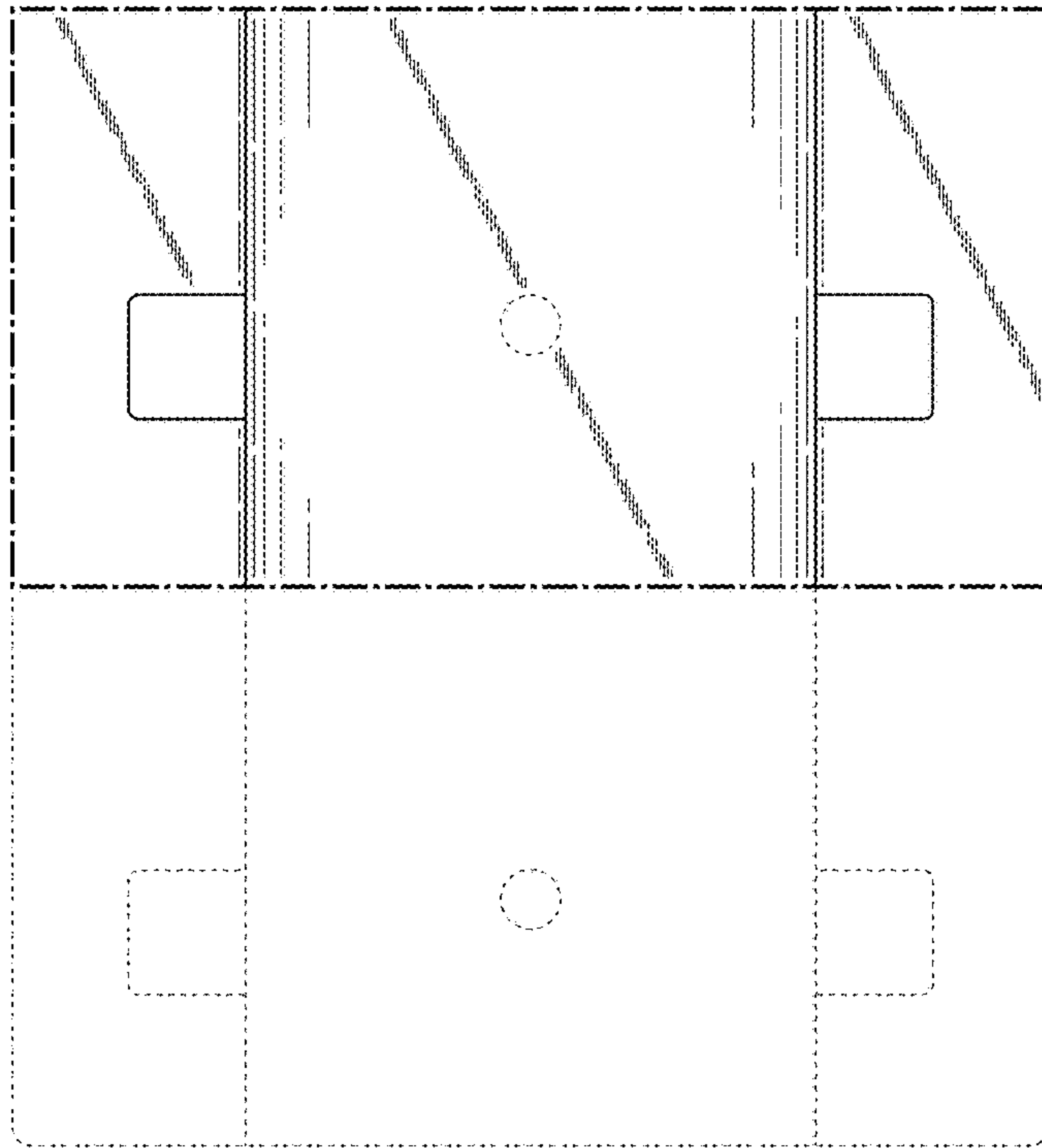


FIG. 10

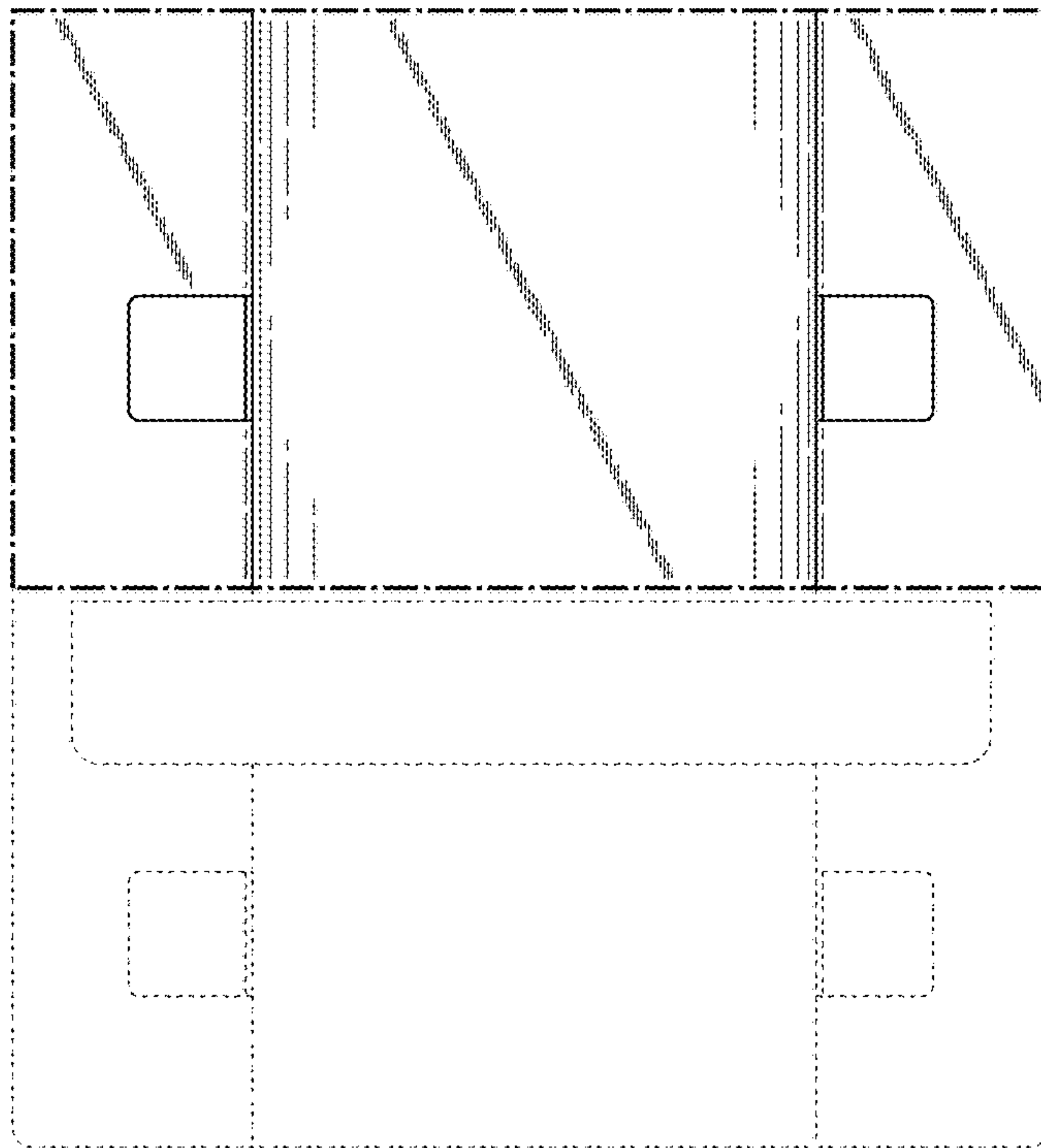


FIG. 11

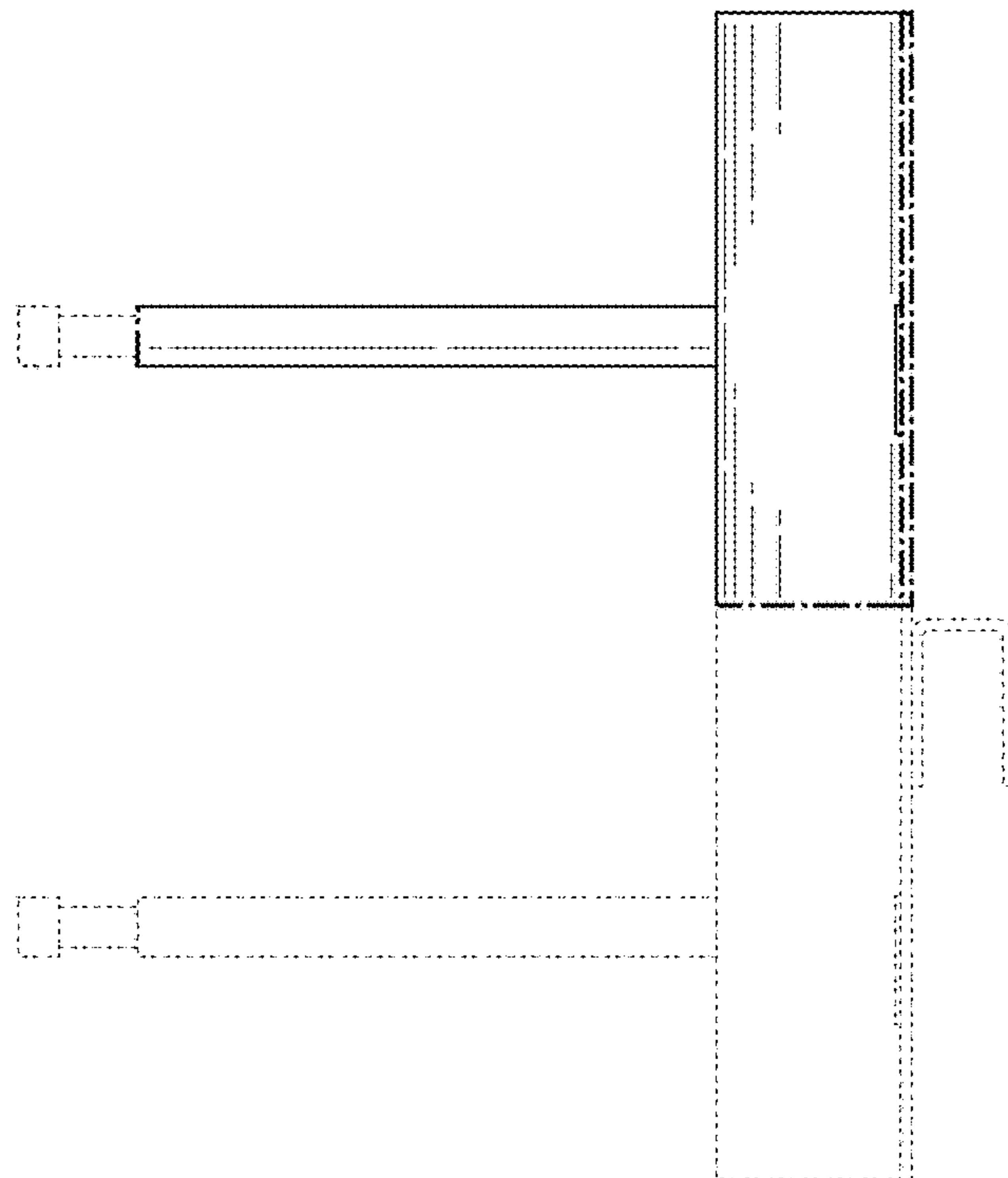


FIG. 12

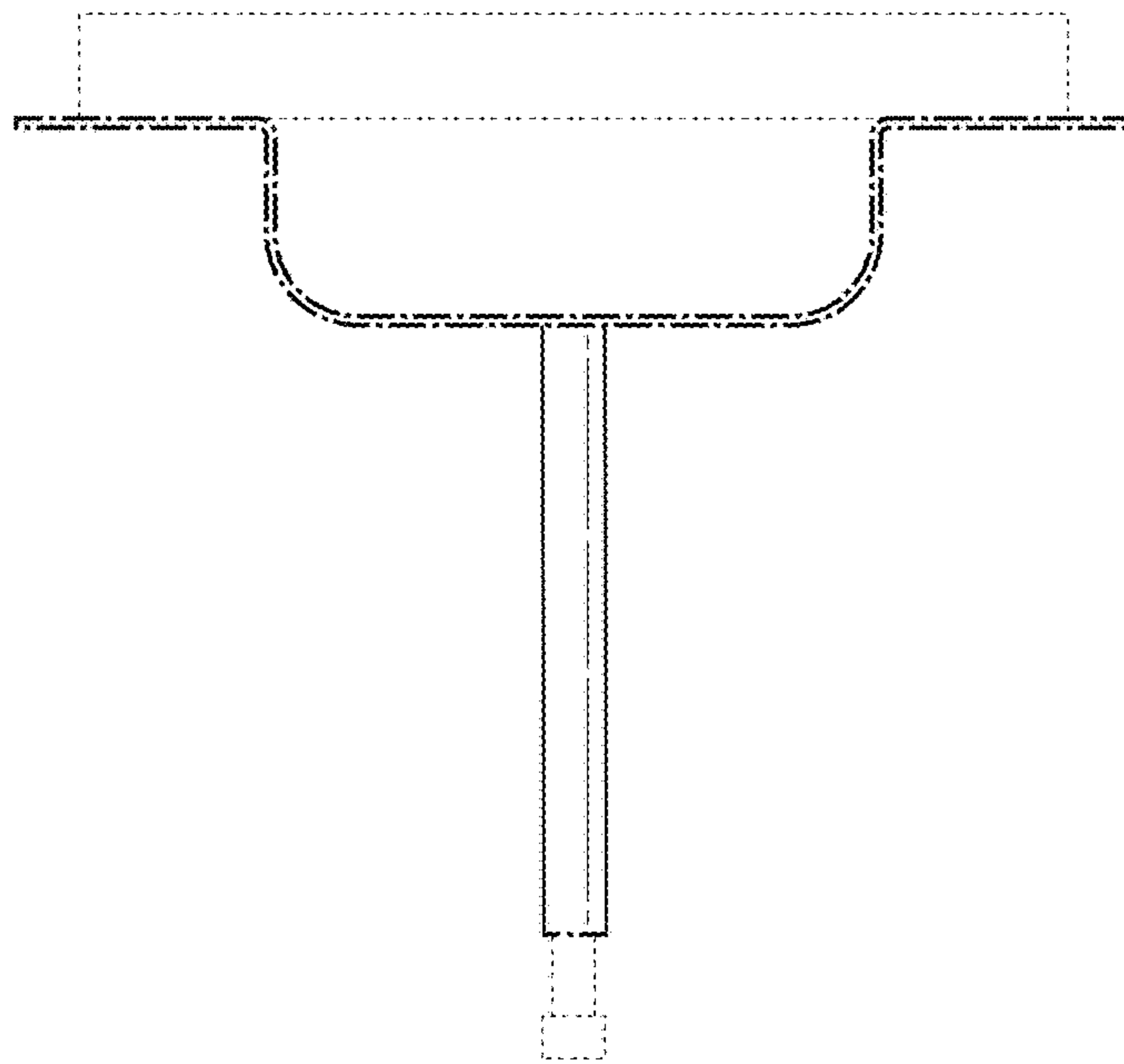


FIG. 13

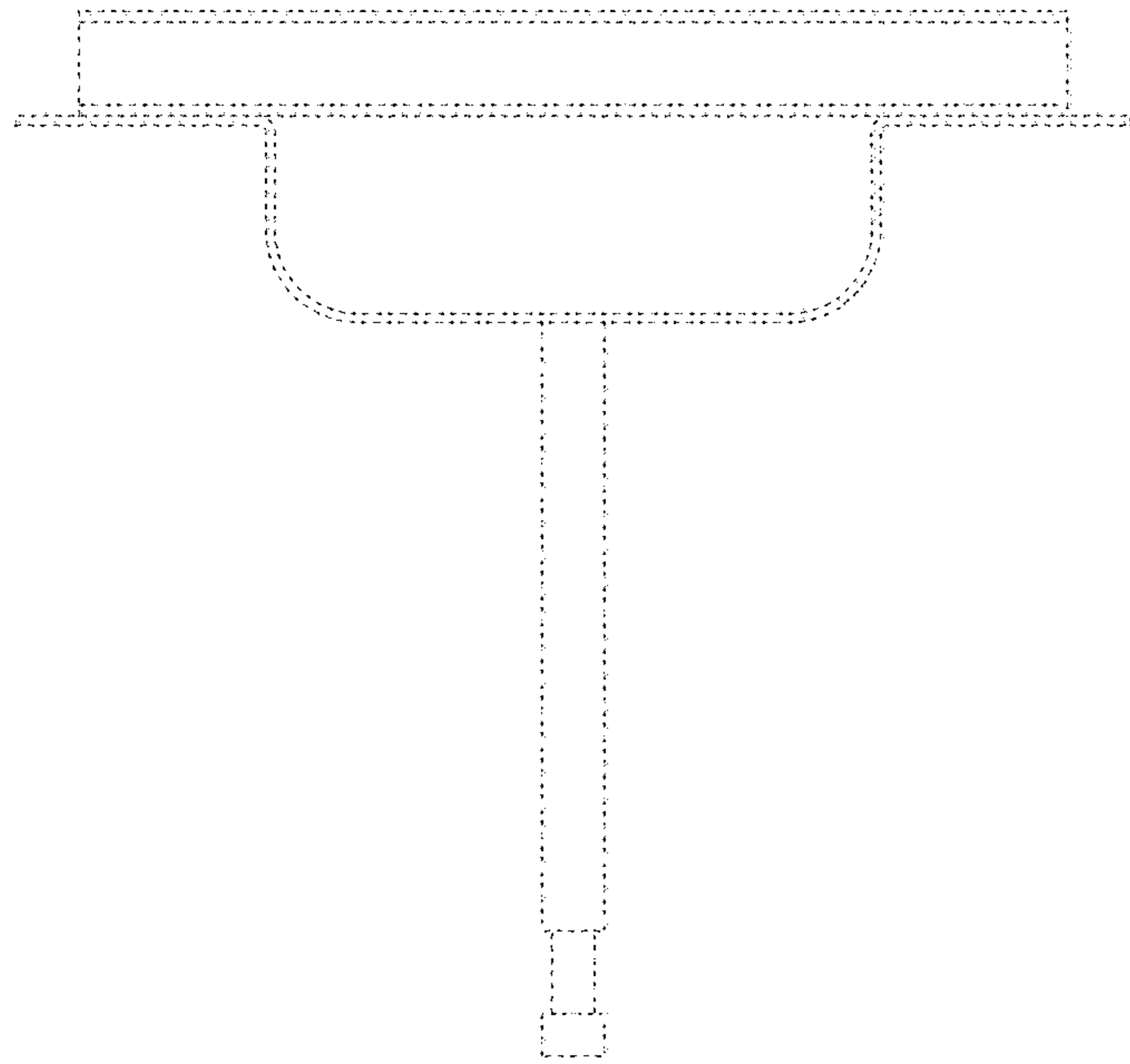


FIG. 14