



US00D845749S

(12) **United States Design Patent**
Mønsted

(10) **Patent No.:** **US D845,749 S**

(45) **Date of Patent:** **** Apr. 16, 2019**

(54) **MOUNTING BRACKET FOR FLASHING WITH ADDITIONAL MOUNT**

(71) Applicant: **VKR Holding A/S**, Hørsholm (DK)

(72) Inventor: **David Damm Mønsted**, Børkop (DK)

(73) Assignee: **VKR HOLDING A/S**, Horsholm (DK)

(**) Term: **15 Years**

(21) Appl. No.: **29/613,501**

(22) Filed: **Aug. 10, 2017**

Related U.S. Application Data

(62) Division of application No. 29/561,921, filed on Apr. 21, 2016.

(51) **LOC (11) Cl.** **08-09**

(52) **U.S. Cl.**
USPC **D8/380**

(58) **Field of Classification Search**

USPC D8/349, 354, 373, 380, 381, 382, 400;
D25/48.2

CPC A47B 96/00; A47B 96/06; A47B 96/145;
E05D 15/0652; E04D 13/02; E04D
13/031; E04F 13/0805; E06B 1/66; E06B
1/68; E06B 1/70; E06B 7/14; Y10T
16/373; Y10T 16/376

See application file for complete search history.

(56) **References Cited**

U.S. PATENT DOCUMENTS

4,156,515 A * 5/1979 Mochly A47B 57/567
108/108
4,845,807 A * 7/1989 Rooney E05D 15/0652
16/94 R

5,398,902 A * 3/1995 Crowe E05D 15/0652
16/94 R
D389,729 S * 1/1998 Boeshart D8/380
D400,781 S * 11/1998 Wilkening D8/381
D748,826 S * 2/2016 Norwood D25/199
D775,942 S * 1/2017 Chapman D8/330
2005/0086878 A1* 4/2005 Feucht E04D 13/02
52/200
2011/0185659 A1* 8/2011 Lorenz E04F 13/0805
52/302.1
2015/0069196 A1* 3/2015 Chen A47B 47/0058
248/218.4
2017/0079459 A1* 3/2017 Filko A47H 1/122
2018/0070724 A1* 3/2018 Chen A47B 57/34

FOREIGN PATENT DOCUMENTS

EM 003076470-0003 * 5/2016

* cited by examiner

Primary Examiner — Leanne Was-Englehart

(74) *Attorney, Agent, or Firm* — Timothy D. St. Clair;
Parker Poe Adams & Bernstein LLP

(57) **CLAIM**

The ornamental design for a mounting bracket for flashing with additional mount, as shown and described.

DESCRIPTION

FIG. 1 is a rear, right side perspective view of the present invention;

FIG. 2 is a top plan view thereof;

FIG. 3 is a front elevation view thereof;

FIG. 4 is a right side elevation view thereof;

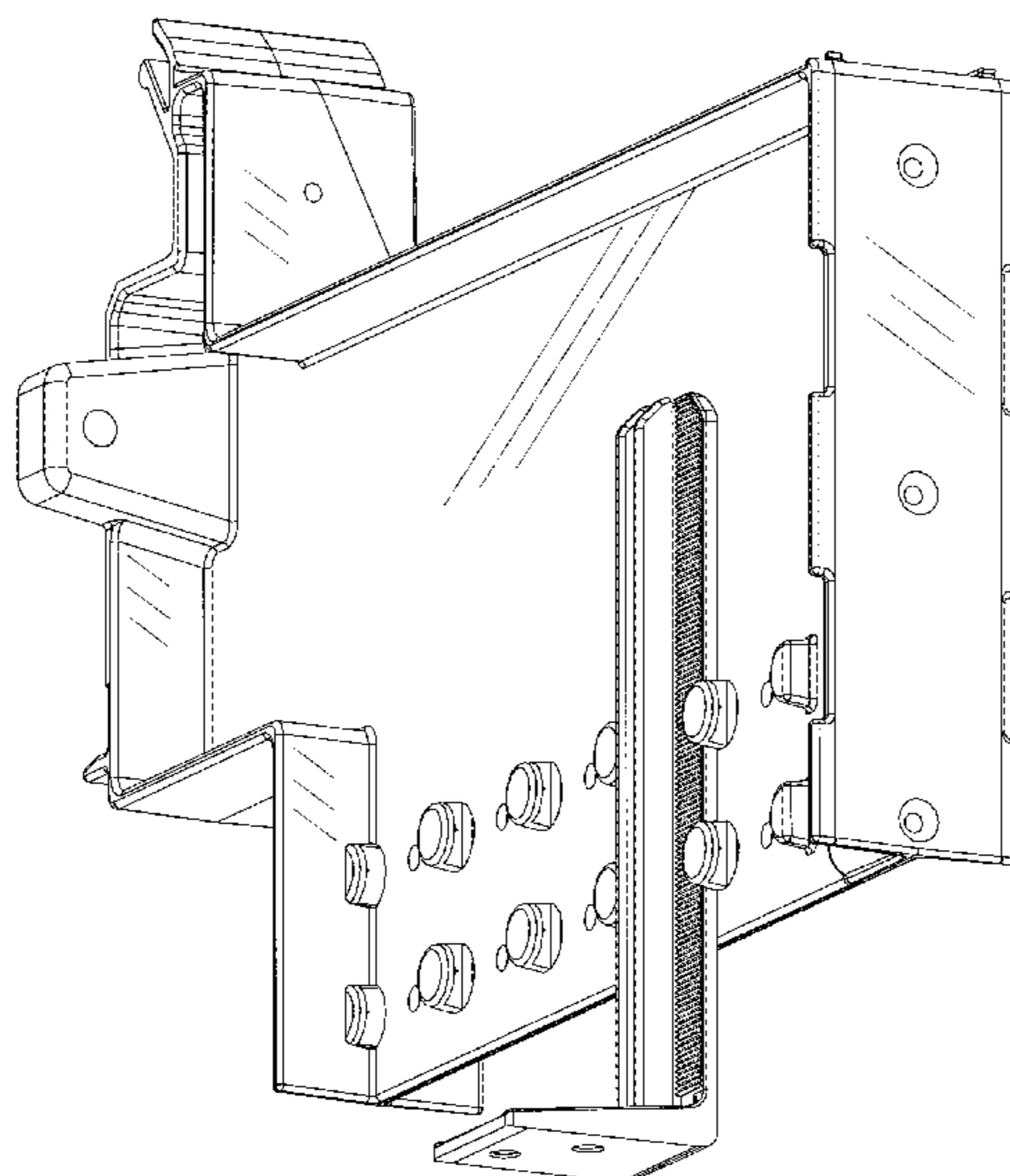
FIG. 5 is a left side elevation view thereof;

FIG. 6 is a back elevation view thereof;

FIG. 7 is a bottom plan view thereof; and,

FIG. 8 is a front, right side perspective view thereof.

1 Claim, 8 Drawing Sheets



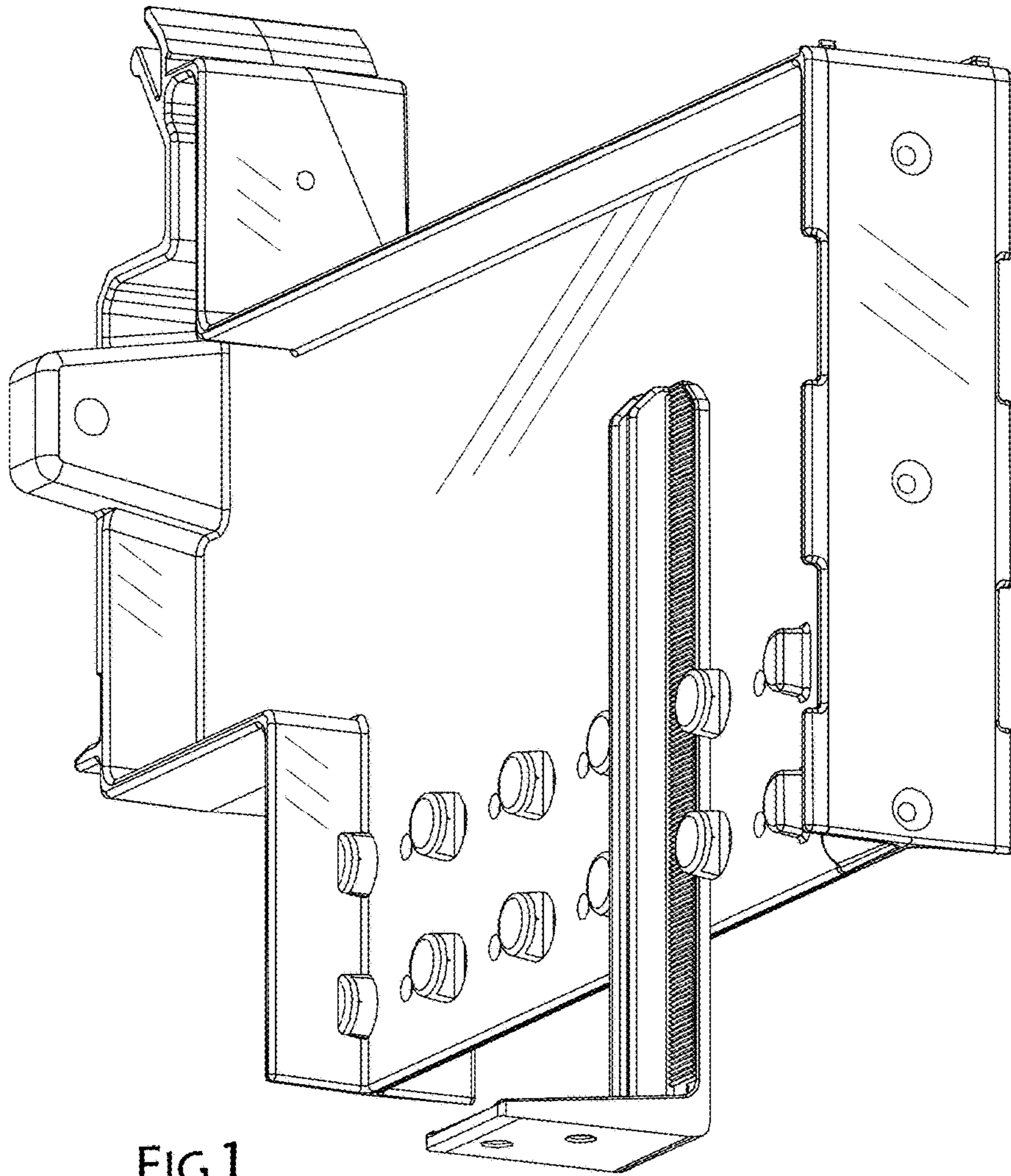


FIG. 1

FIG.2

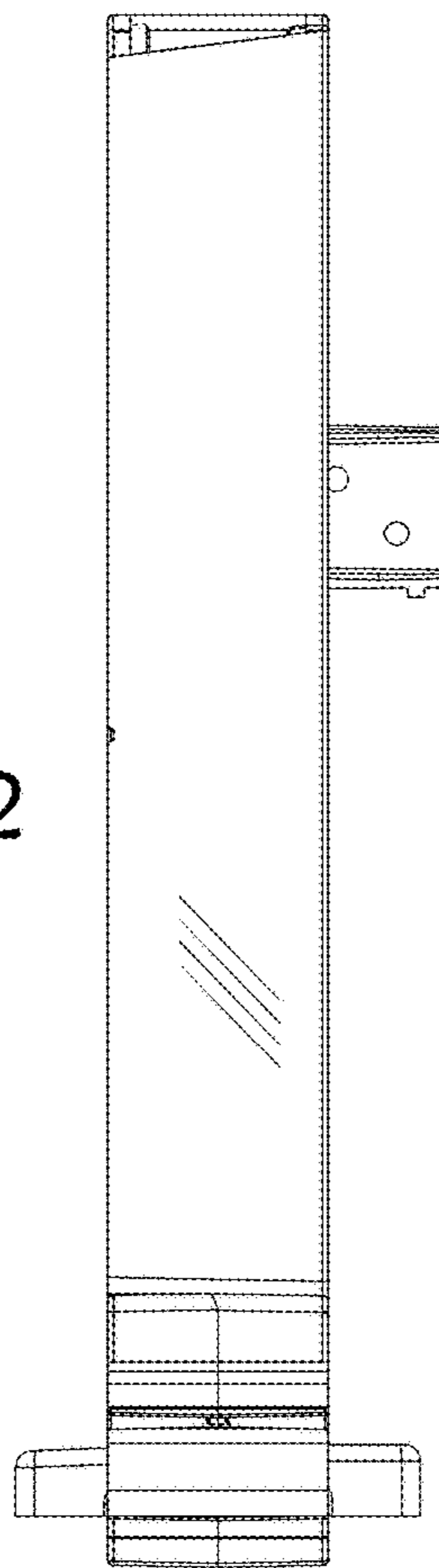
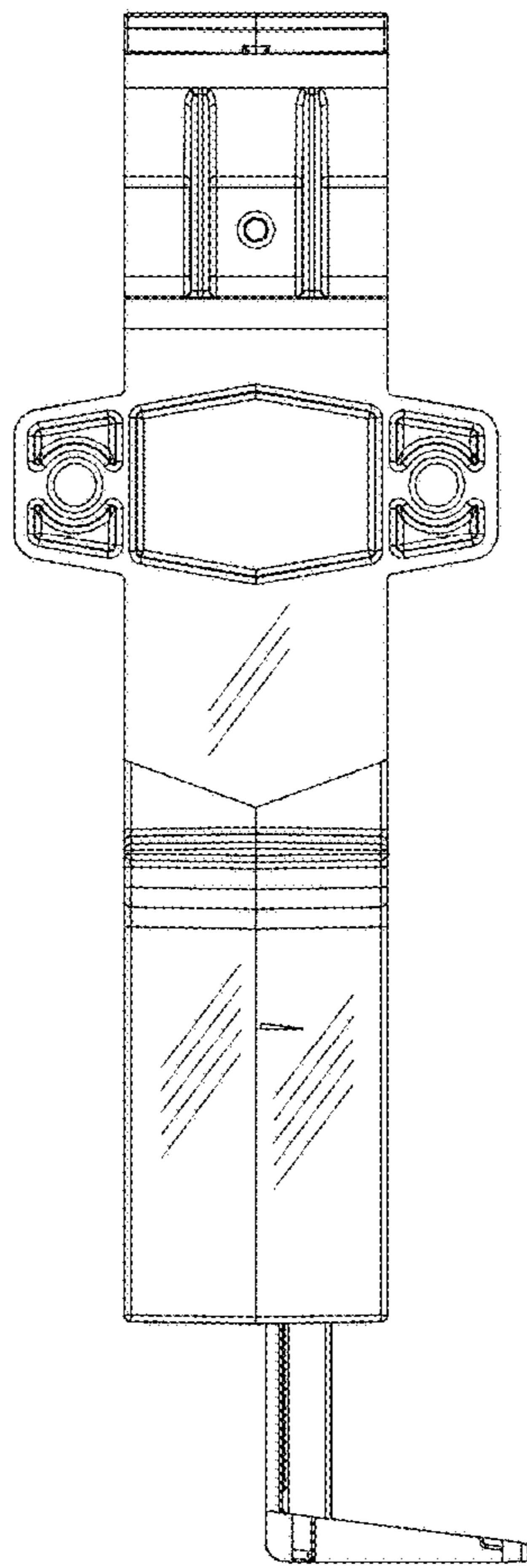


FIG.3



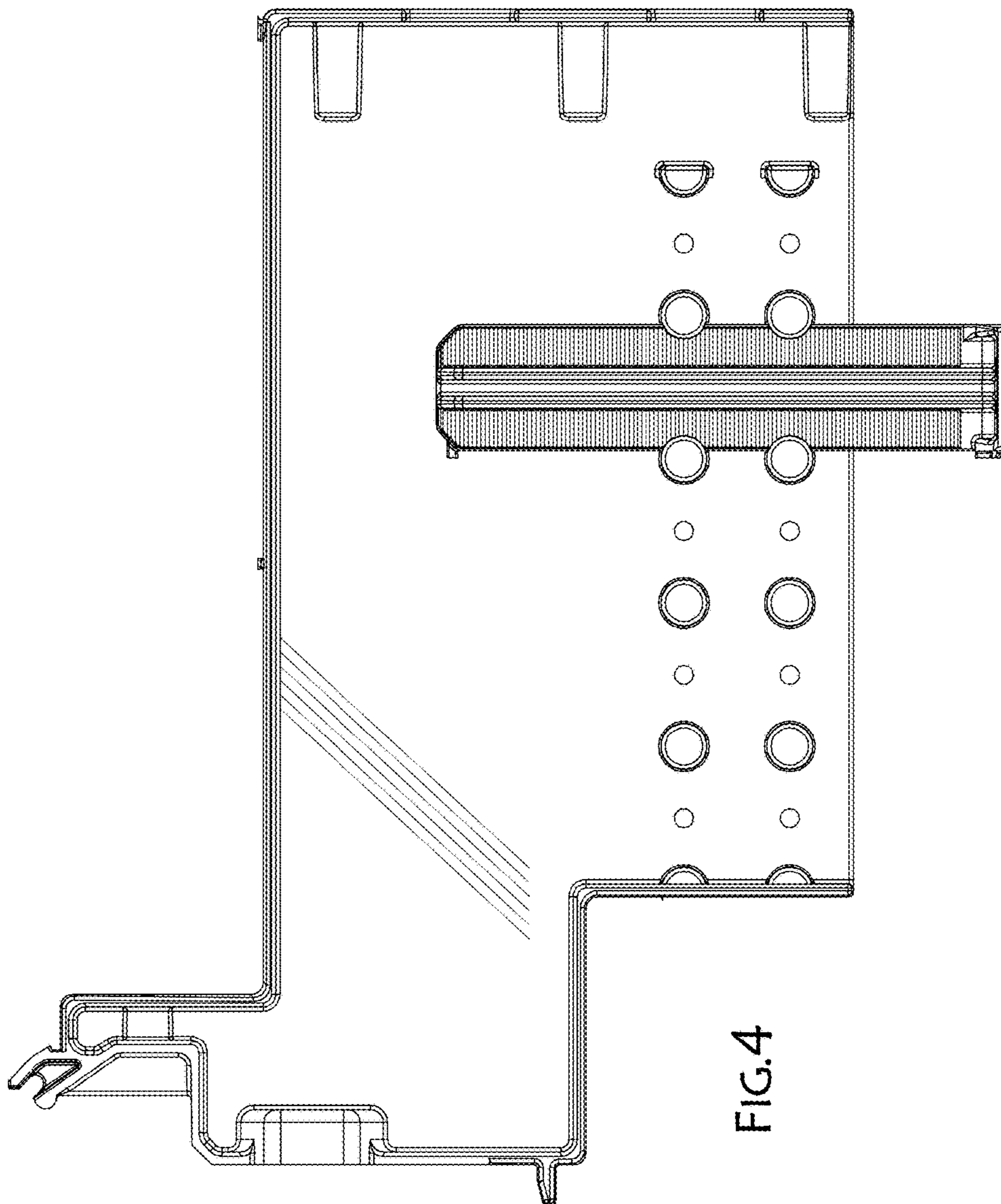
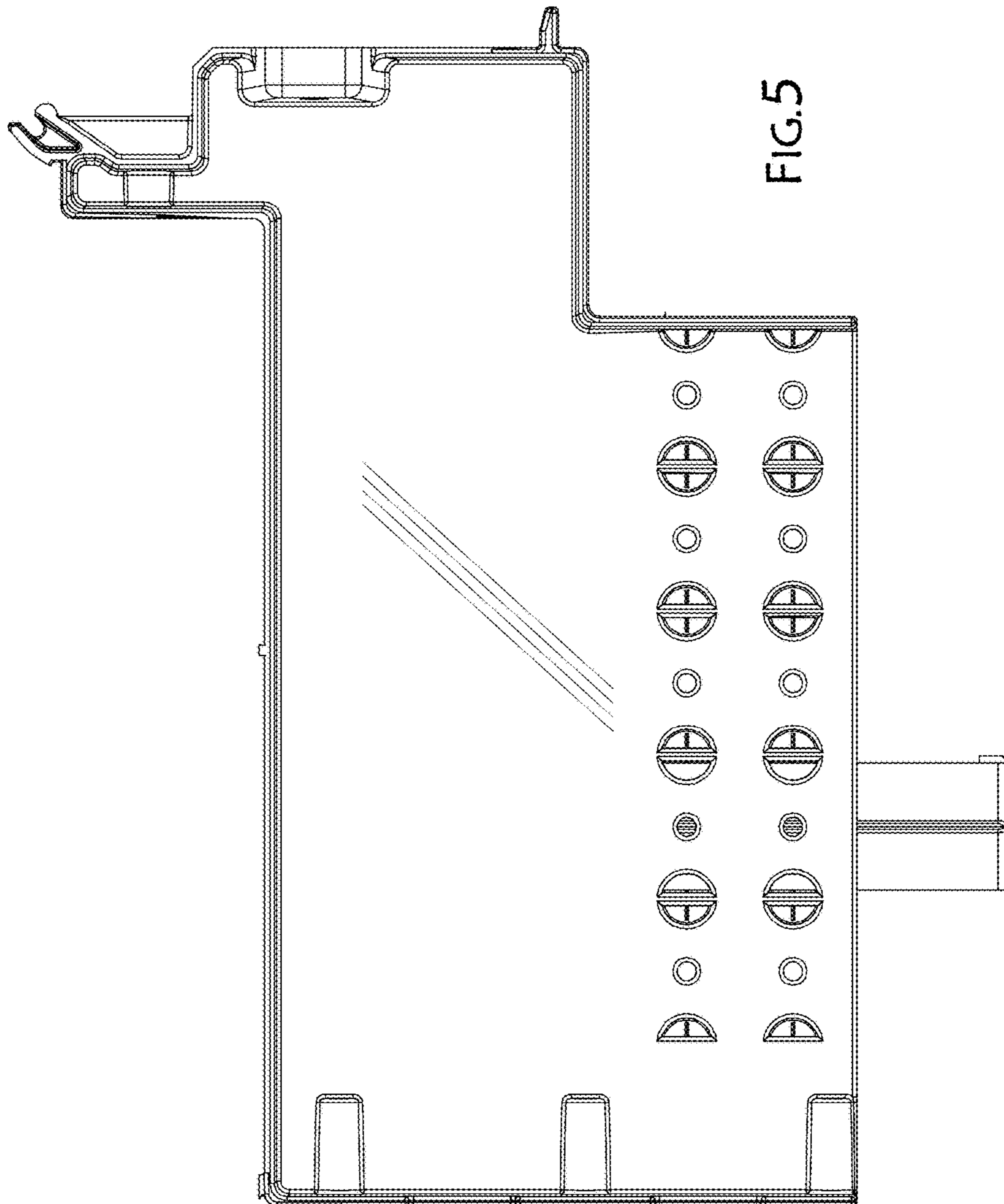


FIG.4



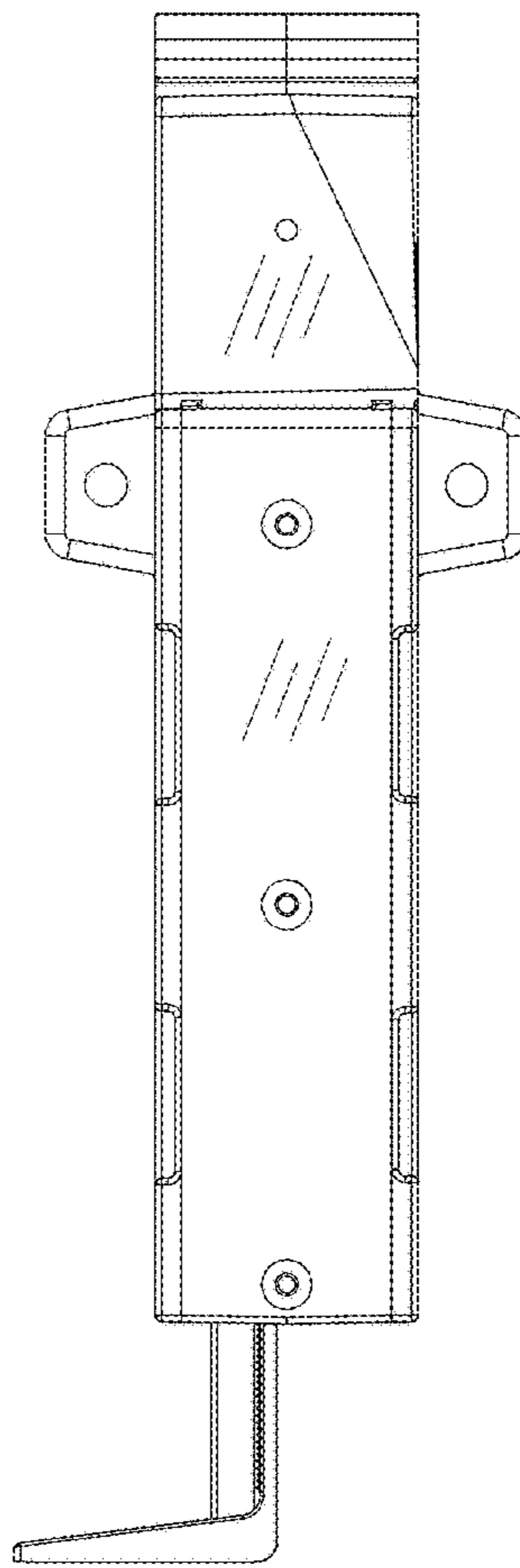


FIG.6

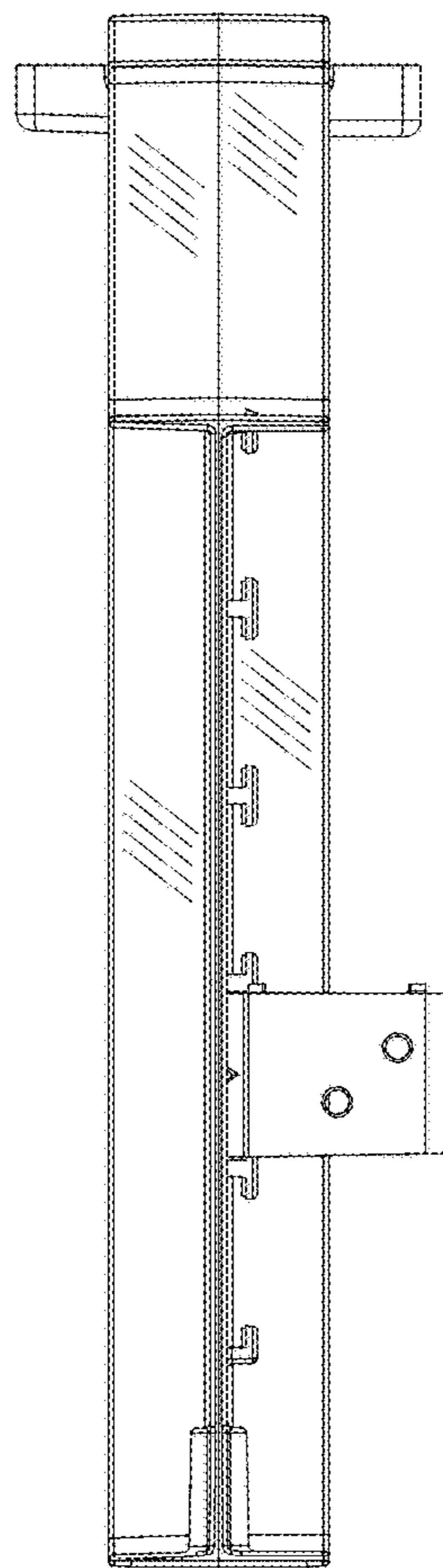


FIG.7

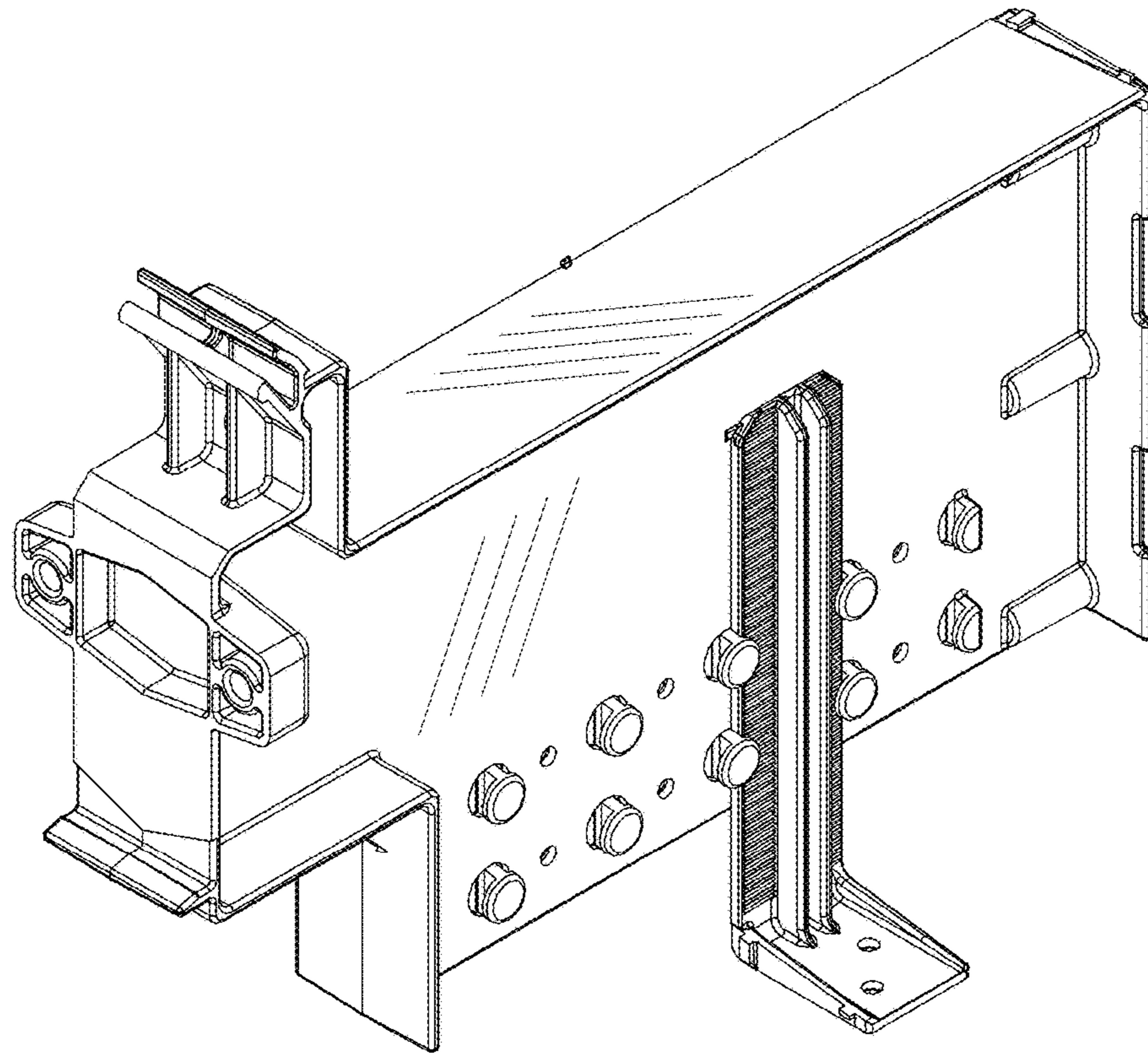


FIG.8