



US00D845746S

(12) **United States Design Patent** (10) **Patent No.:** **US D845,746 S**  
**Nimgulkar et al.** (45) **Date of Patent:** **\*\* Apr. 16, 2019**

(54) **BASKET HOLDER** D193,215 S 7/1962 Frederick  
D264,761 S 6/1982 Dekarski  
(71) Applicant: **CLAIRSON, INC.**, Newark, DE (US) D296,601 S 7/1988 Chap  
5,036,990 A 8/1991 Verchere  
(72) Inventors: **Milind Sahebrao Nimgulkar**, Pune 5,086,936 A 2/1992 Remmers  
(IN); **Gajanan Ramkishan** 5,181,621 A 1/1993 Plaehn  
**Muttepawar**, Pune (IN); 5,224,610 A 7/1993 Veazey  
**Harishchandra Namdeo Dahatonde**, D343,712 S 1/1994 Linder  
Pune (IN) 5,303,997 A 4/1994 Kropf  
5,330,063 A 7/1994 Remmers  
5,452,500 A \* 9/1995 Revis ..... A44B 99/00  
24/499  
(73) Assignee: **Clairson, Inc.**, Newark, DE (US) 5,457,867 A 10/1995 Maberry et al.  
5,509,632 A \* 4/1996 Mesna ..... A47F 5/083  
248/301  
(\*\*) Term: **15 Years** D395,548 S 6/1998 Morissette  
(21) Appl. No.: **29/615,639** 6,164,582 A 12/2000 Vara  
(22) Filed: **Aug. 30, 2017**

**Related U.S. Application Data**

(60) Division of application No. 29/576,481, filed on Sep. 2, 2016, now Pat. No. Des. 807,735, which is a continuation of application No. 15/131,323, filed on Apr. 18, 2016, now Pat. No. 9,596,931.  
(51) **LOC (11) Cl.** ..... **08-05**  
(52) **U.S. Cl.**  
USPC ..... **D8/367**  
(58) **Field of Classification Search**  
USPC ..... D8/367, 354, 349; D3/228  
CPC ..... A47G 23/0225; A47G 25/06; A47G 1/16;  
A47F 5/0846; A47F 5/02; H02G 11/003;  
D06F 55/00; E04H 17/10; A45F 5/02  
See application file for complete search history.

**References Cited**

**U.S. PATENT DOCUMENTS**

1,938,217 A 12/1933 Darbyshire  
1,995,399 A 3/1935 Reedy et al.  
2,103,885 A 12/1937 Whalen  
2,633,400 A 3/1953 Ring

*Primary Examiner* — Cynthia R Underwood  
(74) *Attorney, Agent, or Firm* — Harness, Dickey & Pierce, P.L.C.; Anthony G. Fussner

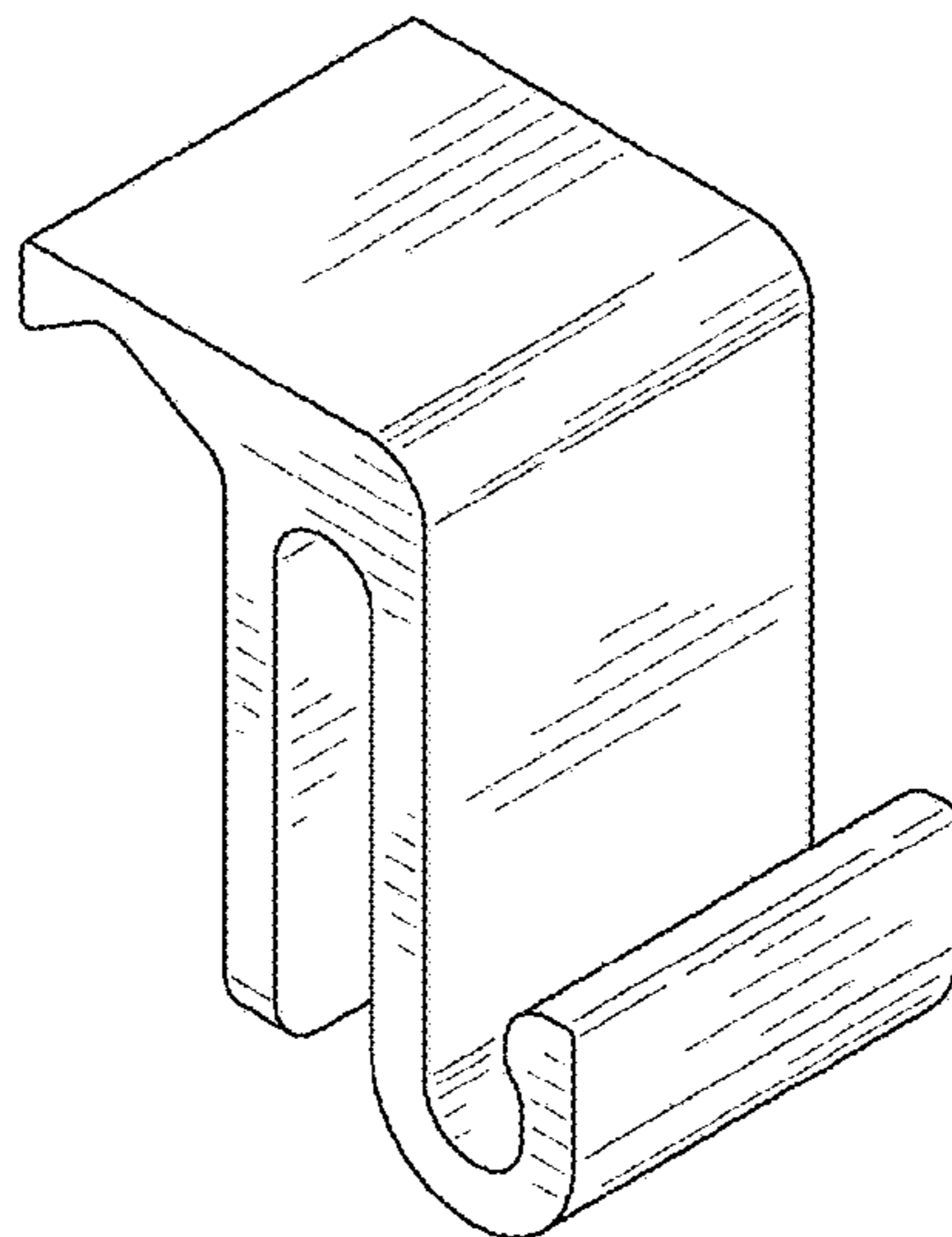
(57) **CLAIM**

The ornamental design for a basket holder, as shown and described.

**DESCRIPTION**

FIG. 1 is a perspective view of a first embodiment of a basket holder showing our new design;  
FIG. 2 is a front view of the basket holder shown in FIG. 1;  
FIG. 3 is a back view of the basket holder shown in FIG. 1;  
FIG. 4 is a right side view of the basket holder shown in FIG. 1;  
FIG. 5 is a left side view of the basket holder shown in FIG. 1;  
FIG. 6 is a top view of the basket holder shown in FIG. 1; and,  
FIG. 7 is a bottom view of the basket holder shown in FIG. 1.

**1 Claim, 3 Drawing Sheets**



(56)

References Cited

U.S. PATENT DOCUMENTS

D438,042 S 2/2001 Hofman et al.  
 6,238,031 B1 5/2001 Weng  
 6,341,704 B1 1/2002 Michel, Jr.  
 6,491,173 B1 12/2002 Costa  
 6,505,745 B1 1/2003 Anderson  
 D472,750 S 4/2003 Clucas  
 6,578,720 B1 6/2003 Wang  
 D477,144 S 7/2003 Remmers  
 6,679,392 B1 1/2004 Costa  
 D498,632 S 11/2004 Anderson et al.  
 6,840,593 B2 1/2005 Remmers  
 D507,108 S 7/2005 Suero, Jr.  
 D508,167 S 8/2005 Anderson et al.  
 D508,321 S 8/2005 Anderson et al.  
 6,938,617 B2 9/2005 Le et al.  
 D512,223 S 12/2005 Snell  
 7,047,601 B1\* 5/2006 Vernon-Woods ..... A45F 5/02  
 24/3.12  
 D526,454 S 8/2006 Plikuhn  
 7,108,143 B1 9/2006 Lin  
 D540,091 S 4/2007 Snell  
 7,216,646 B2 5/2007 Le et al.  
 D546,101 S 7/2007 Knight  
 D555,943 S 11/2007 Butler et al.  
 7,406,833 B2 8/2008 Ertz et al.  
 7,448,508 B2 11/2008 Babucke et al.  
 D584,939 S\* 1/2009 Snell ..... D8/367  
 D587,038 S 2/2009 Goodman et al.  
 7,802,709 B1 9/2010 Lewis et al.  
 D629,673 S 12/2010 Shaha et al.  
 7,950,754 B2 5/2011 Brown et al.  
 8,028,844 B2 10/2011 Costa et al.  
 D650,175 S 12/2011 Lee  
 8,117,719 B1\* 2/2012 O'Brien ..... B42F 1/06  
 24/3.12  
 D657,658 S\* 4/2012 Jones ..... D8/354  
 8,210,371 B2 7/2012 Kim  
 8,297,726 B2 10/2012 Ramm et al.  
 8,333,447 B2 12/2012 Moody  
 D675,466 S 2/2013 Goodman et al.  
 D675,850 S 2/2013 Tawil  
 8,490,801 B2 7/2013 Smith et al.  
 D692,666 S 11/2013 Goodman et al.  
 D698,186 S 1/2014 Funshess  
 8,671,712 B2 3/2014 Noel et al.  
 8,695,913 B2\* 4/2014 Cheng ..... H01R 13/60  
 242/388  
 8,746,470 B2 6/2014 Reinbigler et al.  
 D710,124 S 8/2014 Goodman et al.

D717,070 S 11/2014 Callif et al.  
 8,960,584 B1 2/2015 Fearon  
 9,022,496 B2 5/2015 Armstrong et al.  
 9,052,118 B2 6/2015 Metcalf et al.  
 D734,610 S 7/2015 Christie  
 D745,377 S 12/2015 Ressler et al.  
 D746,127 S\* 12/2015 Cohen ..... D8/367  
 D747,876 S 1/2016 Goodman et al.  
 D758,732 S 6/2016 Goodman et al.  
 D764,901 S 8/2016 Esparza  
 D774,383 S 12/2016 Kennedy  
 D778,712 S 2/2017 Kennedy  
 9,596,931 B1 3/2017 Nimgulkar et al.  
 D794,430 S 8/2017 Brandenburg  
 9,924,784 B1\* 3/2018 Loso ..... A45F 5/02  
 D819,431 S\* 6/2018 Goodman ..... D8/367  
 D821,184 S\* 6/2018 Berger ..... D8/367  
 D822,469 S\* 7/2018 Shoenhair ..... D8/367  
 D823,710 S\* 7/2018 Schone ..... D11/86  
 D831,471 S\* 10/2018 Kim ..... D8/367  
 D835,542 S\* 12/2018 Lybarger ..... D11/78.1  
 2002/0033657 A1 3/2002 Kim et al.  
 2002/0125802 A1 9/2002 Remmers  
 2004/0174102 A1 9/2004 Chen et al.  
 2005/0167381 A1 8/2005 Fariello  
 2005/0174022 A1 8/2005 Kuttalek  
 2006/0022105 A1\* 2/2006 MacKay ..... F16B 45/00  
 248/304  
 2006/0152118 A1 7/2006 Lee  
 2006/0260353 A1 11/2006 Uijlein et al.  
 2007/0235401 A1 10/2007 Costa et al.  
 2008/0054772 A1 3/2008 Koloff et al.  
 2009/0200906 A1 8/2009 Dao  
 2009/0211997 A1 8/2009 Sparkowski  
 2010/0213805 A1 8/2010 Brown et al.  
 2010/0282935 A1\* 11/2010 Zannoni ..... A47G 23/0225  
 248/224.8  
 2012/0093445 A1 4/2012 Haxton  
 2012/0139402 A1 6/2012 Haidar et al.  
 2012/0146476 A1 6/2012 Tibbe  
 2013/0093306 A1 4/2013 Shin  
 2013/0140394 A1 6/2013 Cheng  
 2013/0256250 A1 10/2013 Hirsh  
 2014/0283814 A1 9/2014 Armstrong  
 2014/0291266 A1 10/2014 Yang  
 2014/0327352 A1 11/2014 Chen et al.  
 2015/0173588 A1 6/2015 Bhajak et al.  
 2015/0208801 A1 7/2015 Hu  
 2015/0208802 A1 7/2015 Yoneda  
 2016/0144999 A1 5/2016 Tang  
 2017/0000260 A1 1/2017 Hashemi et al.

\* cited by examiner

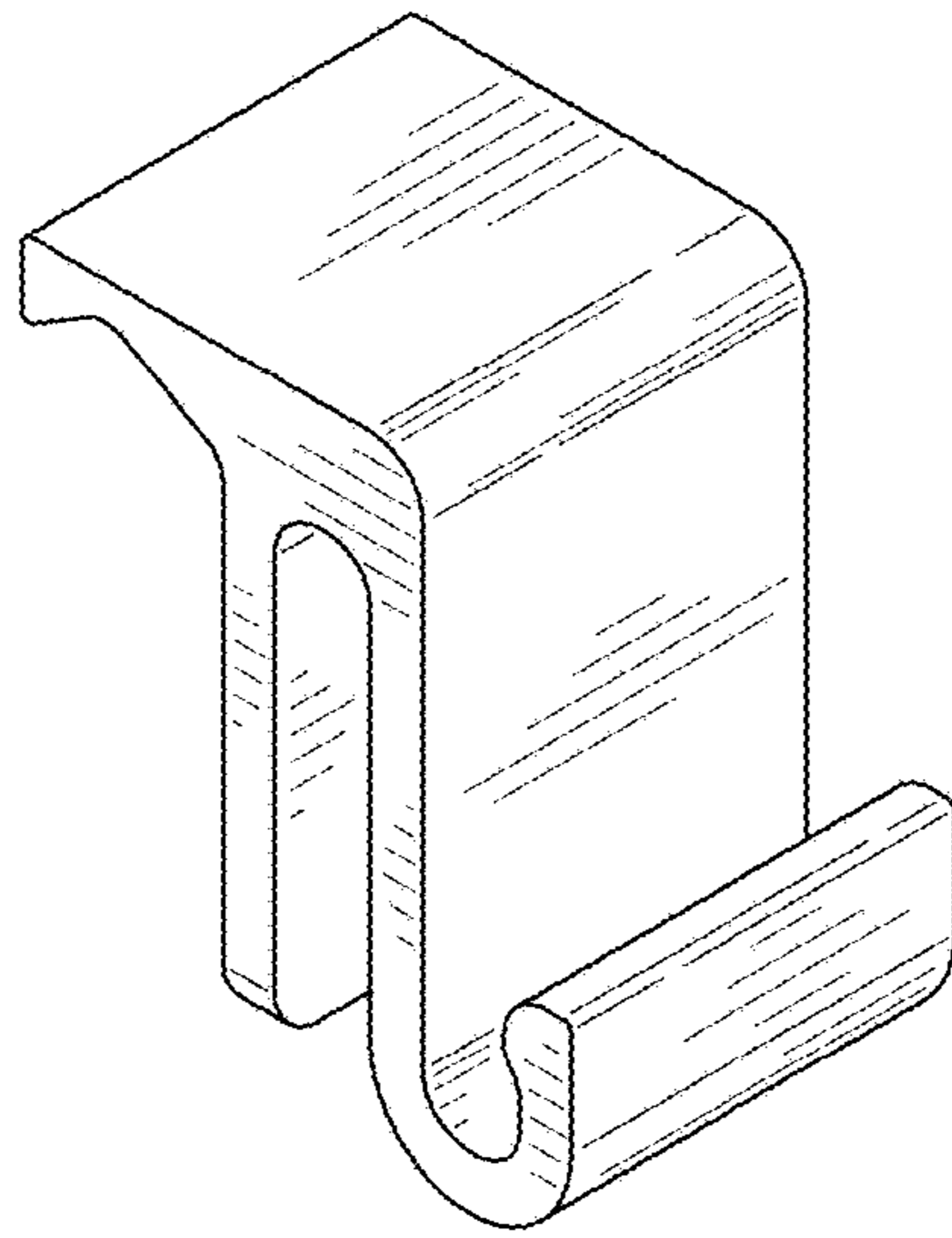


FIG. 1

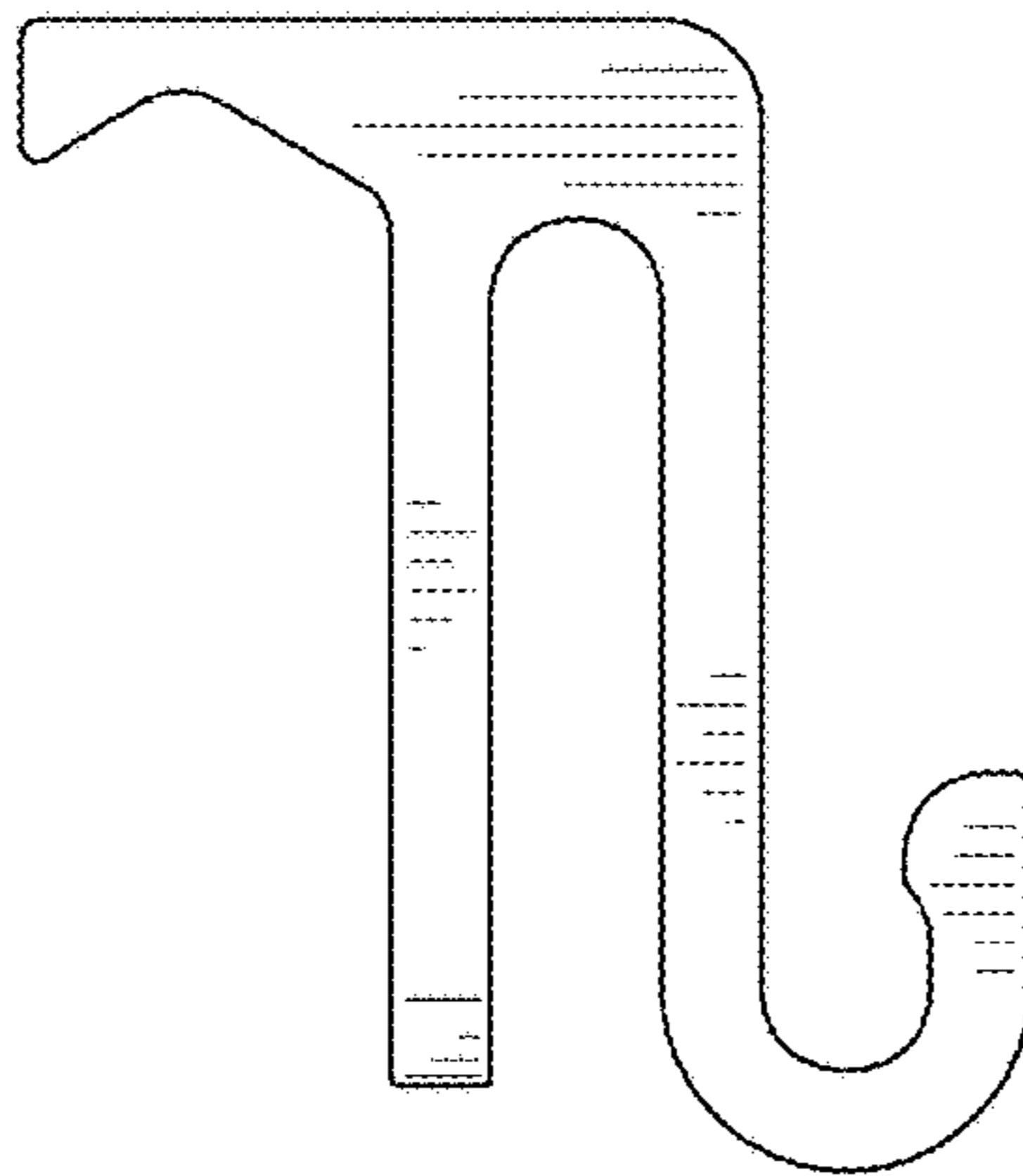


FIG. 2

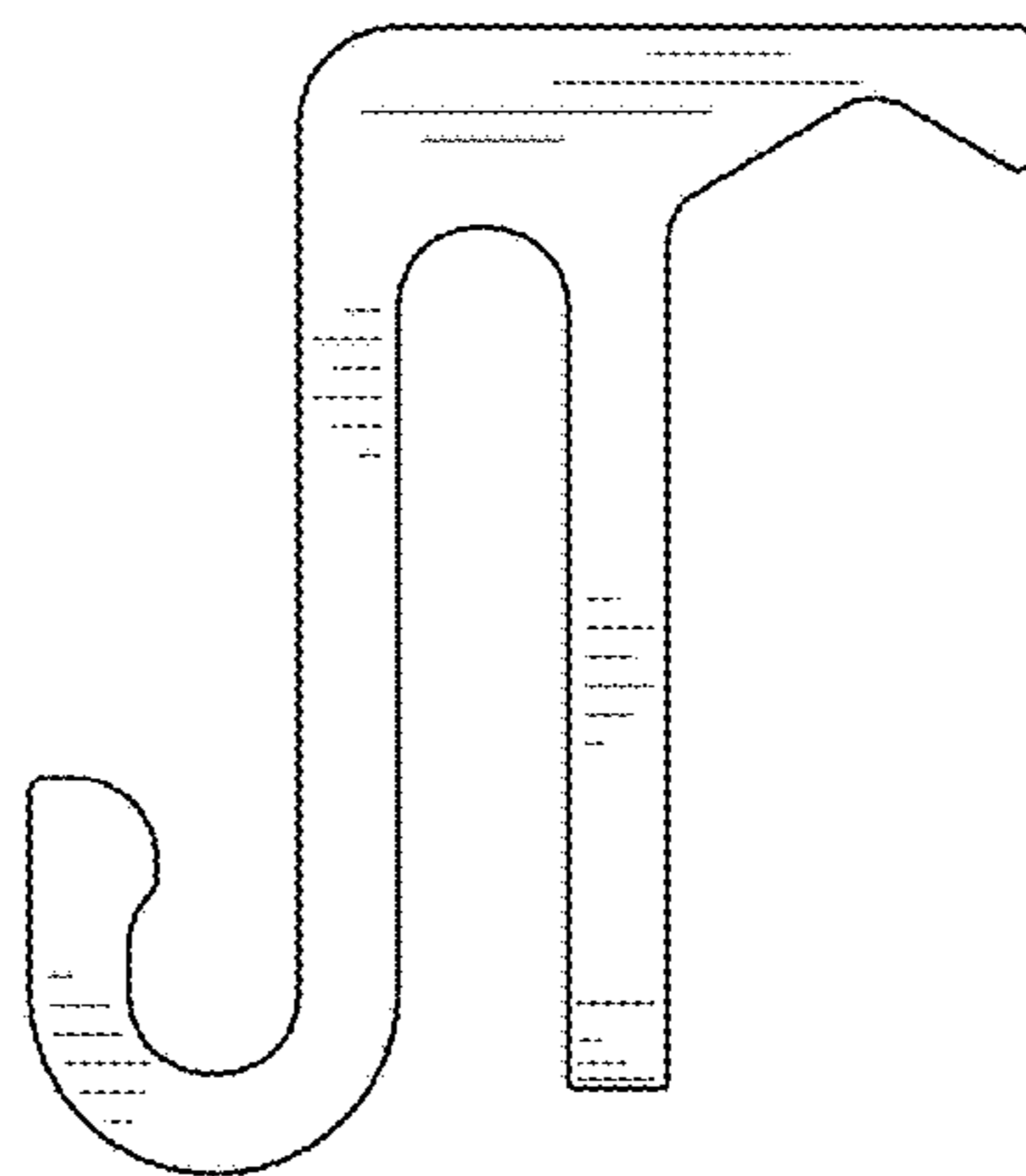


FIG. 3



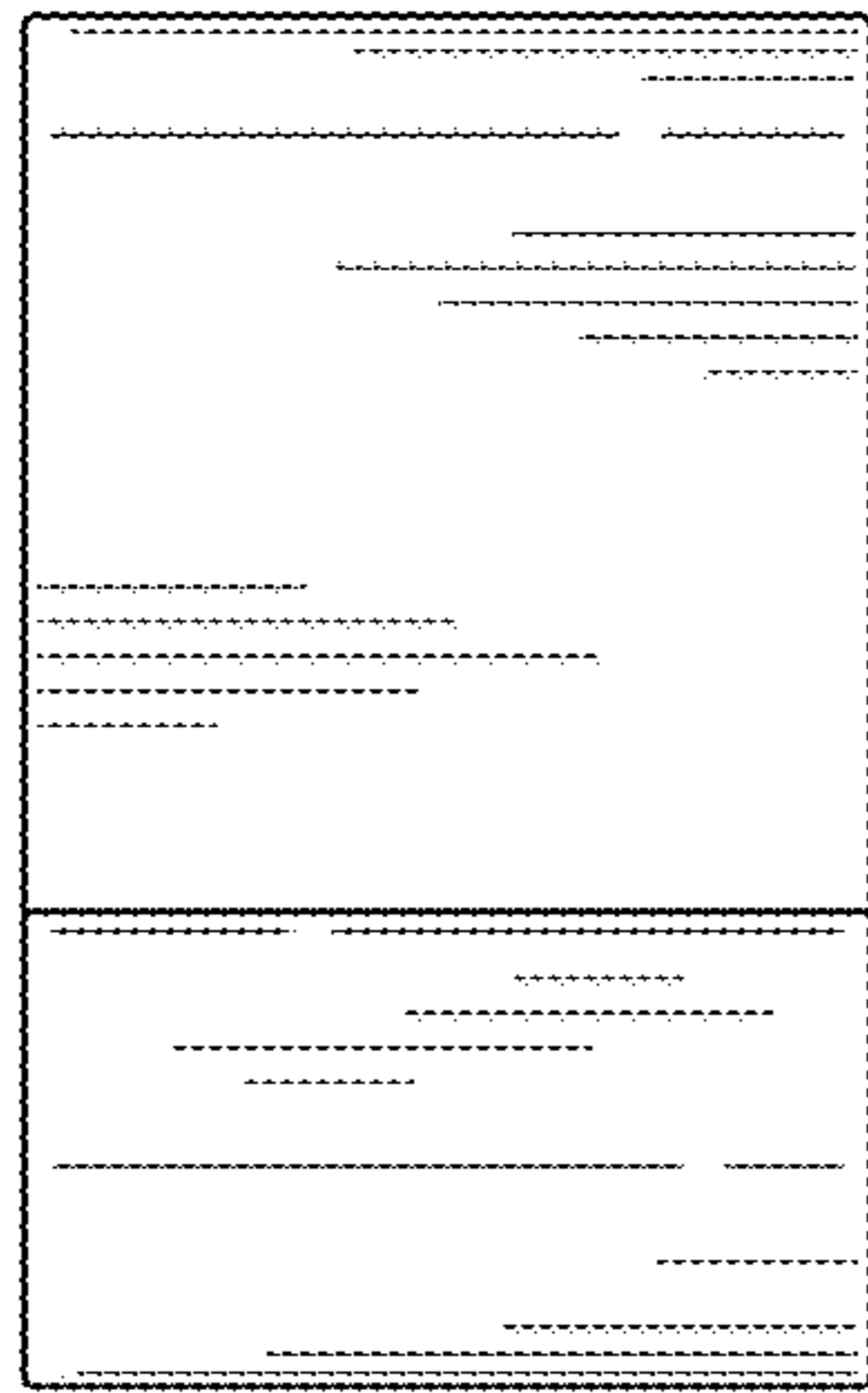


FIG. 4

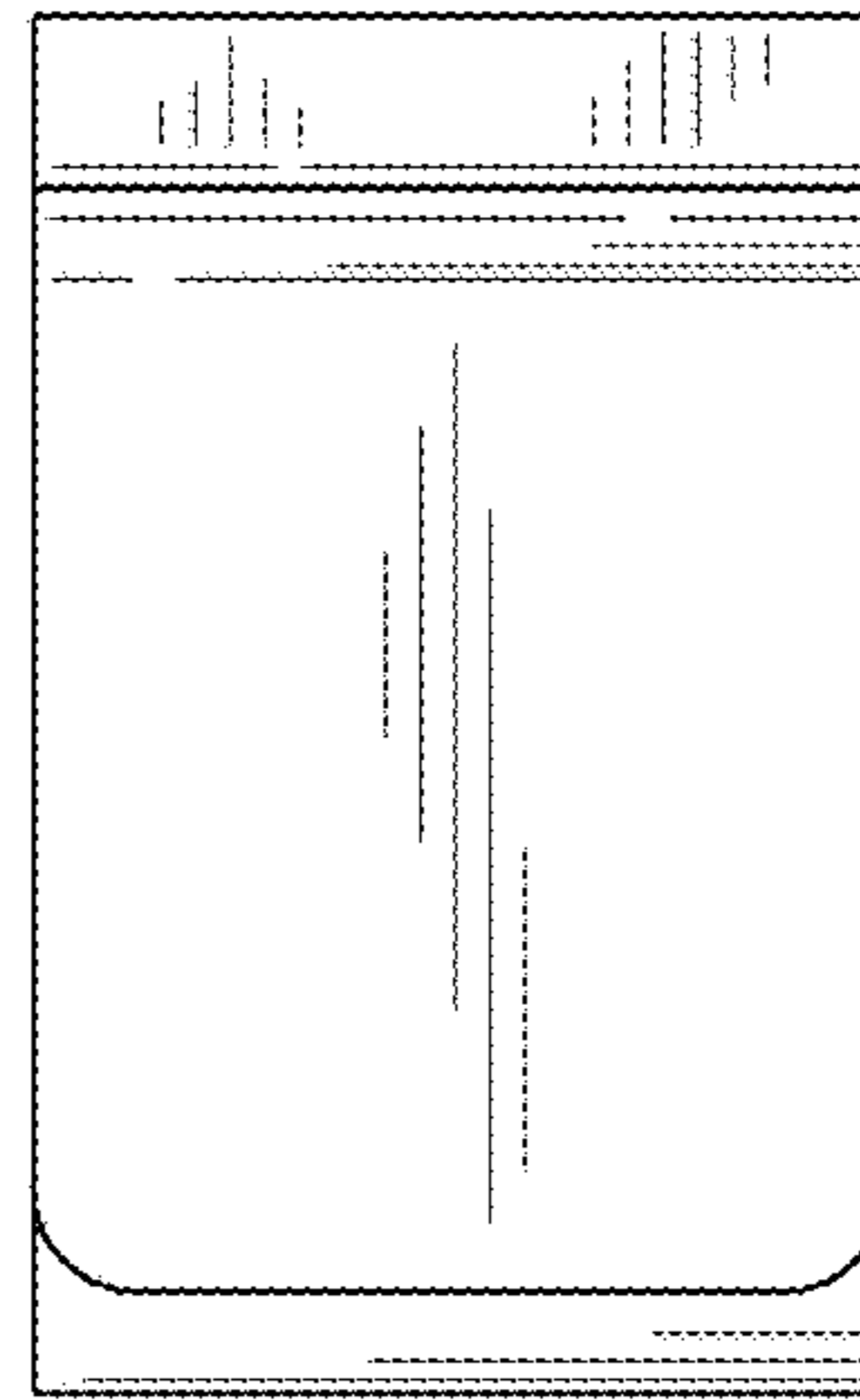


FIG. 5

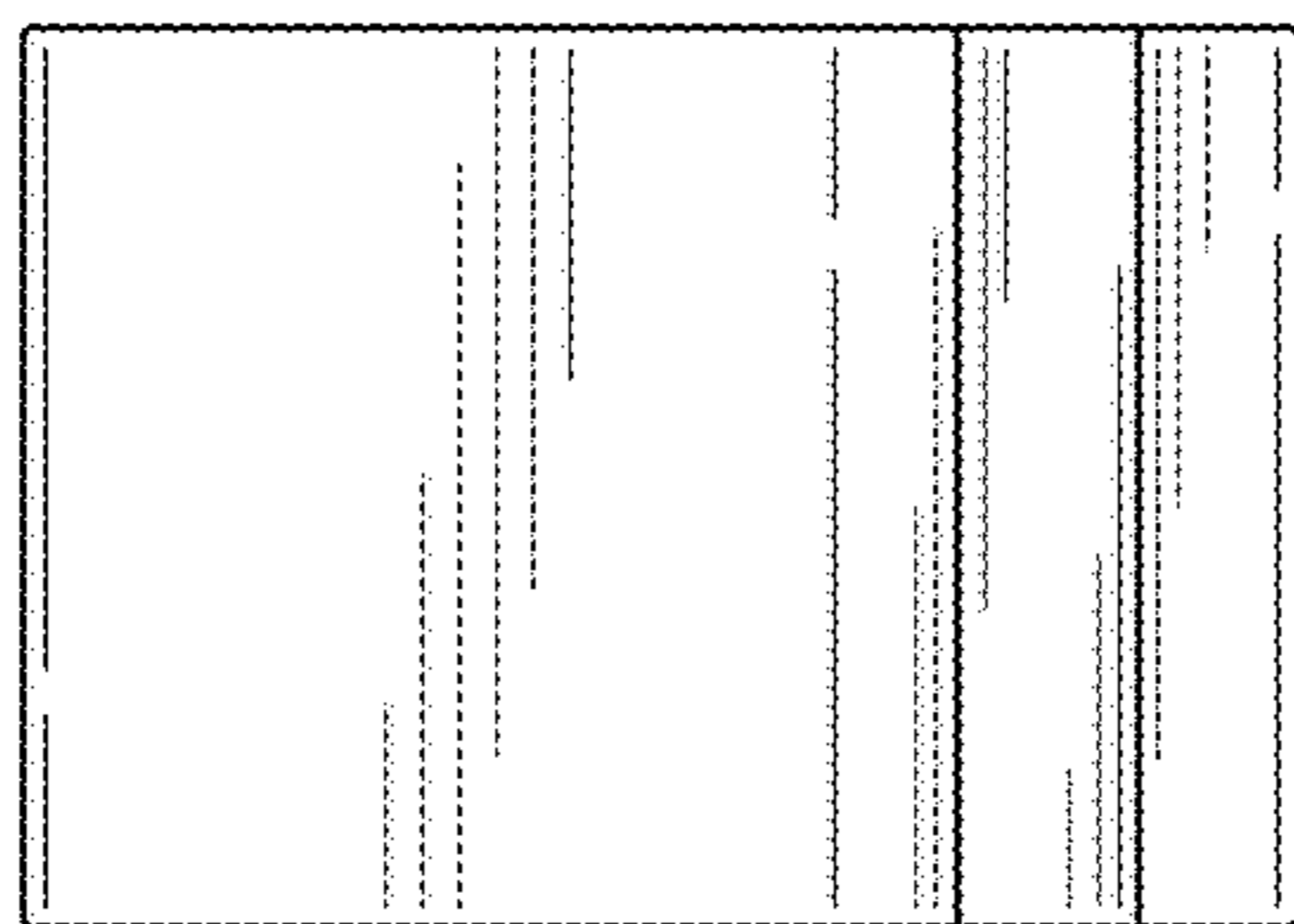


FIG. 6

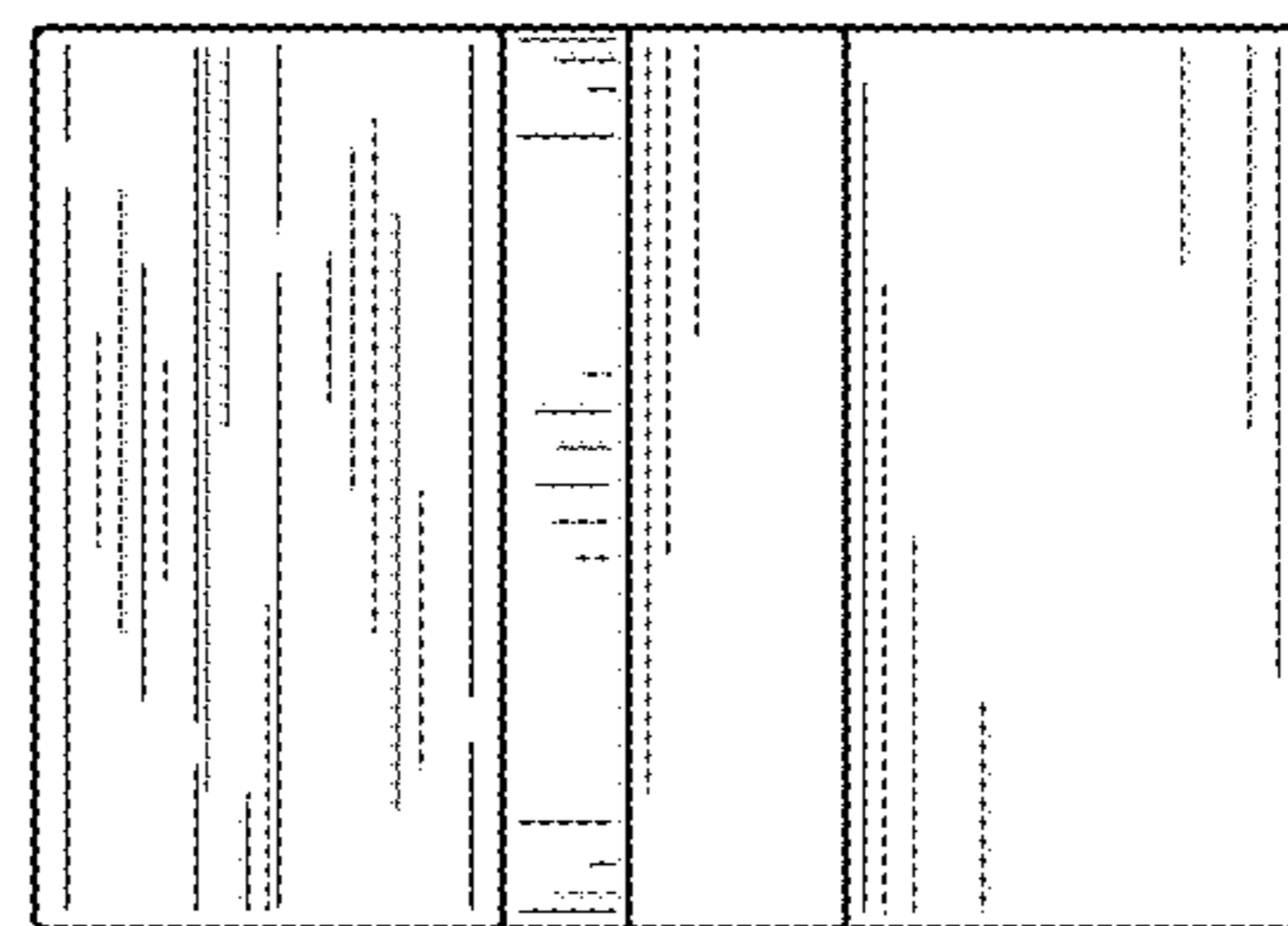


FIG. 7