



US00D845745S

(12) **United States Design Patent**
Kasahara

(10) **Patent No.:** **US D845,745 S**
(45) **Date of Patent:** **** Apr. 16, 2019**

(54) **REEL FOR BINDING TOOL**

(71) Applicant: **MAX CO., LTD.**, Chuo-ku, Tokyo (JP)

(72) Inventor: **Akira Kasahara**, Tokyo (JP)

(73) Assignee: **MAX CO., LTD.**, Chuo-ku, Tokyo (JP)

(**) Term: **15 Years**

(21) Appl. No.: **29/634,056**

(22) Filed: **Jan. 18, 2018**

(51) **LOC (11) Cl.** **08-05**

(52) **U.S. Cl.**

USPC **D8/358**

(58) **Field of Classification Search**

USPC D08/373, 358, 359, 354, 71, 330, 336,
D08/351, 356, 360.1, 363, 364, 367, 370,
D08/372, 379, 381, 382, 395, 396;
D06/349, 352; D09/426, 502, 750;
D10/72, 73, 89; D11/79, 93; D13/103,
D13/107; D19/67; D21/673, 674, 675,
D21/839, 840; D25/19, 62, 68, 69;
D26/40, 49; D29/122, 124; D30/153,
D30/155

CPC B65H 75/40; B65H 75/4407; B65H
75/4471; B65H 2701/34; B65H 2701/32;
B65H 2511/142; B65H 29/008; B65H
2701/33; B65H 54/585; B65H 51/22;
B65H 75/08; B65H 75/02; B65H
2301/41485; B65H 75/4468; B65H
2301/414323; B65H 2301/414325; B65H
16/02; B65H 2301/4131; B65H 75/403;
B65H 75/441; B65D 85/66; B65D 85/67;
B66D 3/006; B66D 3/18; B66D 3/26;
B66D 3/02; B66D 3/14; B63B 21/18;
B63B 21/26; B65B 57/005; A61G
7/1051; A61G 7/1061; B66B 11/08;
A62C 33/04; B08B 2203/0276; B21C
47/28; H02G 11/02; A01K 89/003; H04M
1/15; H04M 34/822; A47L 9/26; H04R
1/1033; Y10S 24/909; E05C 19/10; E05C

17/50; E05C 3/045; E05C 3/30; E05C
19/02; E05C 19/026; A47G 25/0614;
A47G 25/18; A47G 25/32; A47G 7/047;
A47G 7/045; A47G 7/042; A47G 7/044;
F16B 12/44; F16B 12/46; F16B 5/0614;
F16B 12/02; E04B 1/2612; E04B
2001/2415; E04B 1/5818; E04B 1/5831;
A47B 88/0055; E04F 11/1812; F16L
1/0246;

(Continued)

(56) **References Cited**

U.S. PATENT DOCUMENTS

D489,399 S * 5/2004 Kusakari D18/34.9
D582,754 S * 12/2008 Stein D8/358

(Continued)

OTHER PUBLICATIONS

Office Action dated Jan. 30, 2018 issued in corresponding Brazilian design application No. 30-2017-002405-0, 3 pages, including English translation.

Primary Examiner — Barbara Fox

Assistant Examiner — Kristin E Reed

(74) *Attorney, Agent, or Firm* — Drinker Biddle & Reath LLP

(57) **CLAIM**

The ornamental design for a reel for binding tool, as shown and described.

DESCRIPTION

FIG. 1 is a front, left perspective view of a reel for binding tool showing my new design;
FIG. 2 is a rear, right perspective view thereof;
FIG. 3 is a front view thereof;
FIG. 4 is a rear view thereof;
FIG. 5 is a left side view thereof;
FIG. 6 is a right side view thereof;

(Continued)

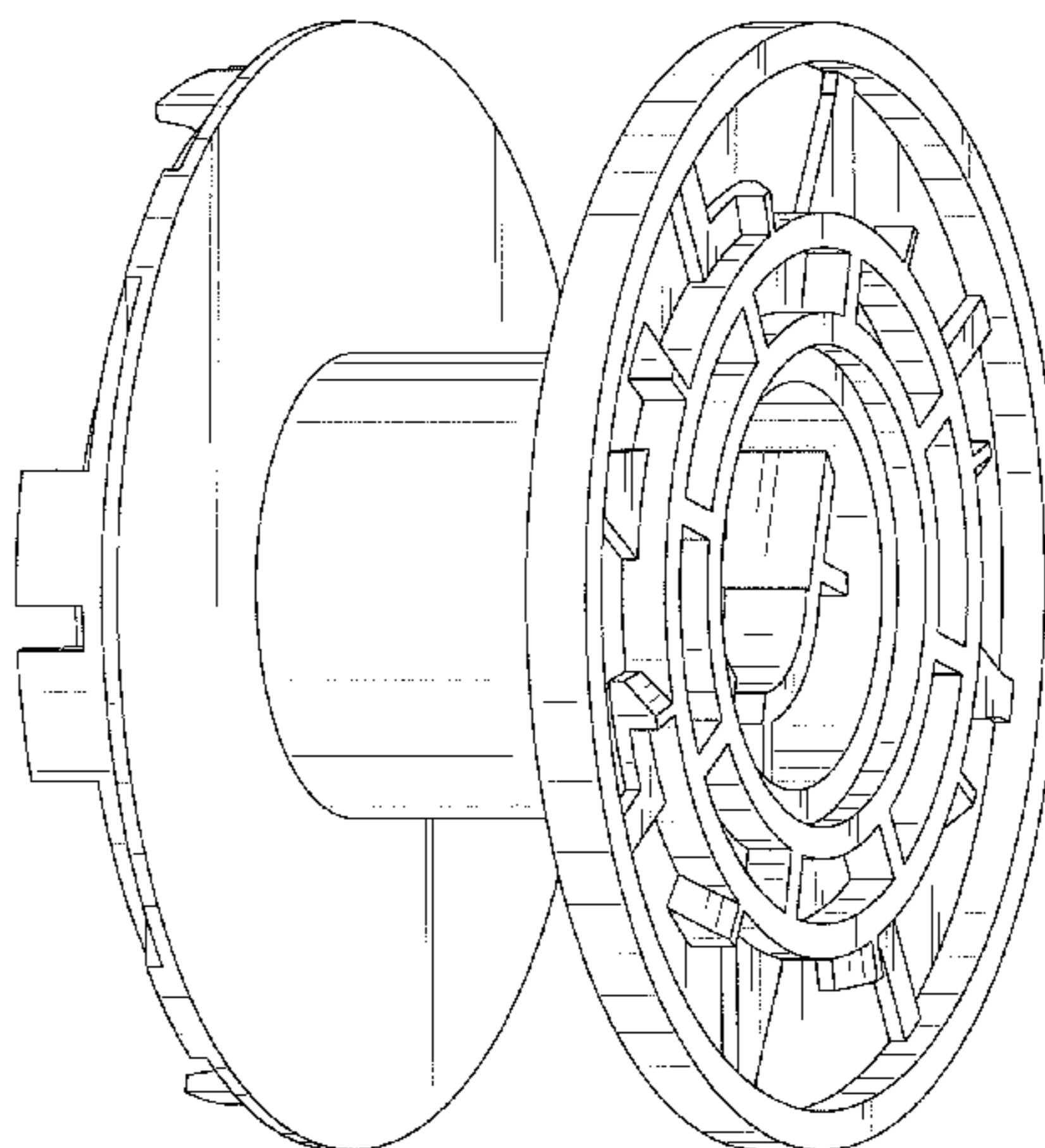
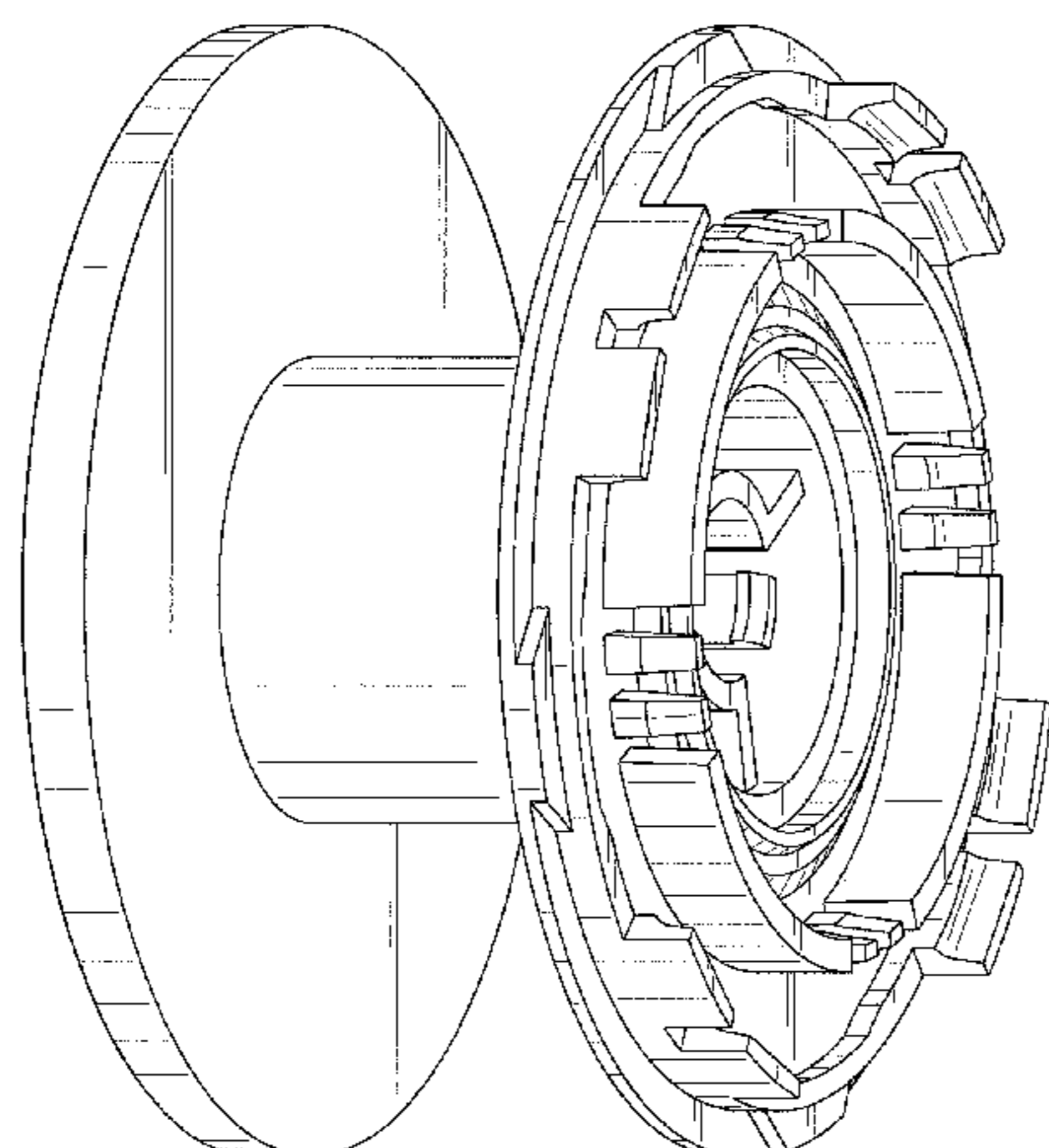


FIG. 7 is a top view thereof; and,
FIG. 8 is a bottom view thereof.

1 Claim, 8 Drawing Sheets

(58) Field of Classification Search

CPC A01G 9/024; A01G 25/14; A01G 27/001;
A01G 9/042; A01G 27/005; A01G
31/001; A01G 9/02; A01G 9/083; A01G
9/12

See application file for complete search history.

(56) References Cited

U.S. PATENT DOCUMENTS

D598,733 S * 8/2009 Taatjes D8/358
D653,523 S * 2/2012 Wackwitz D15/138
D702,536 S * 4/2014 Penumatcha B65H 75/14
D8/358
D705,643 S * 5/2014 Siboni D8/358
9,478,963 B1 * 10/2016 Klein H02G 11/02
D814,893 S * 4/2018 Alliss D8/8
2008/0295894 A1 * 12/2008 Uffner B65H 75/40
137/355.27
2010/0147987 A1 * 6/2010 Wang B08B 3/006
242/395
2018/0170708 A1 * 6/2018 Kasahara B65H 75/182

* cited by examiner

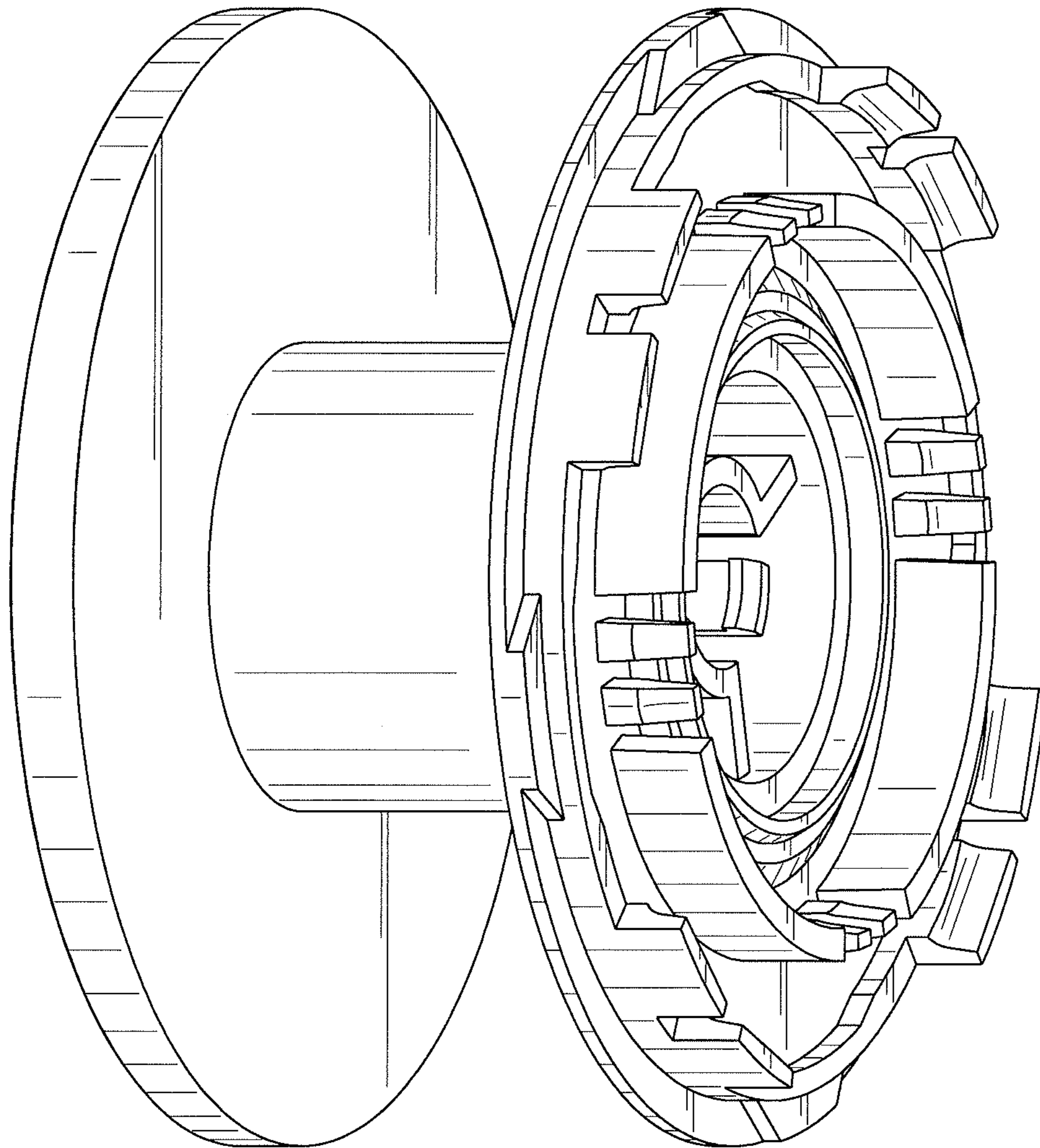


FIG. 1

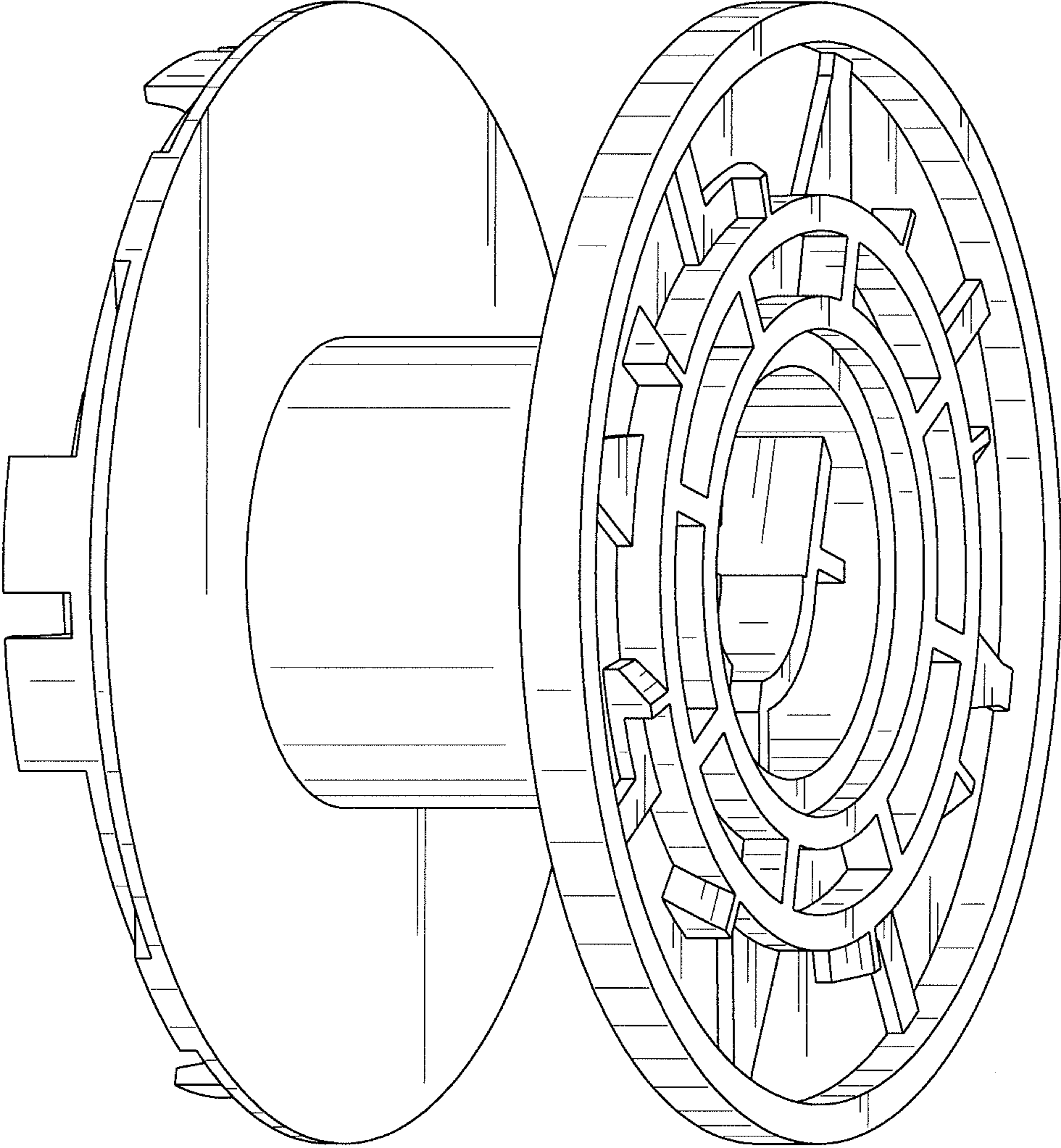


FIG. 2

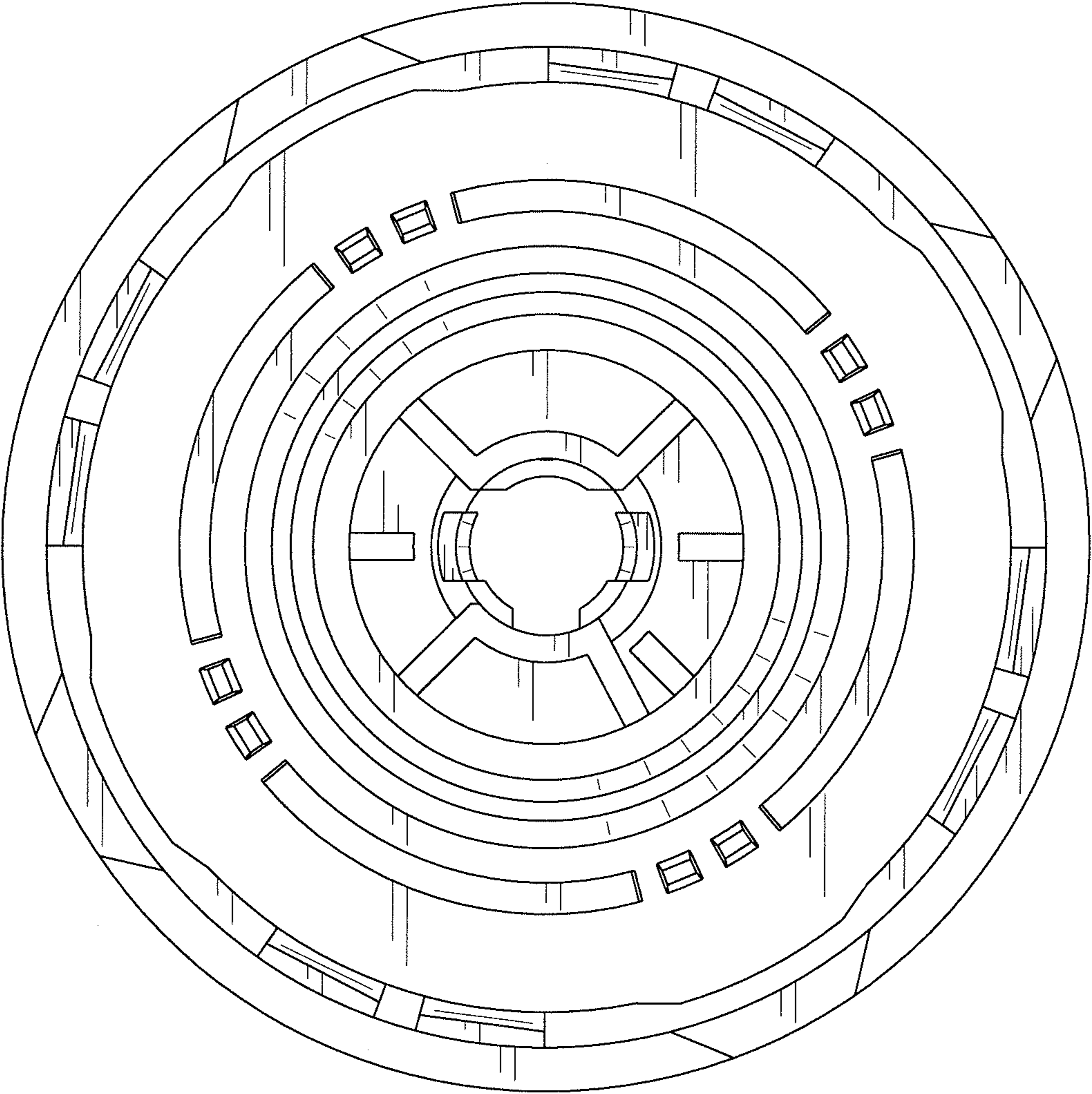


FIG. 3

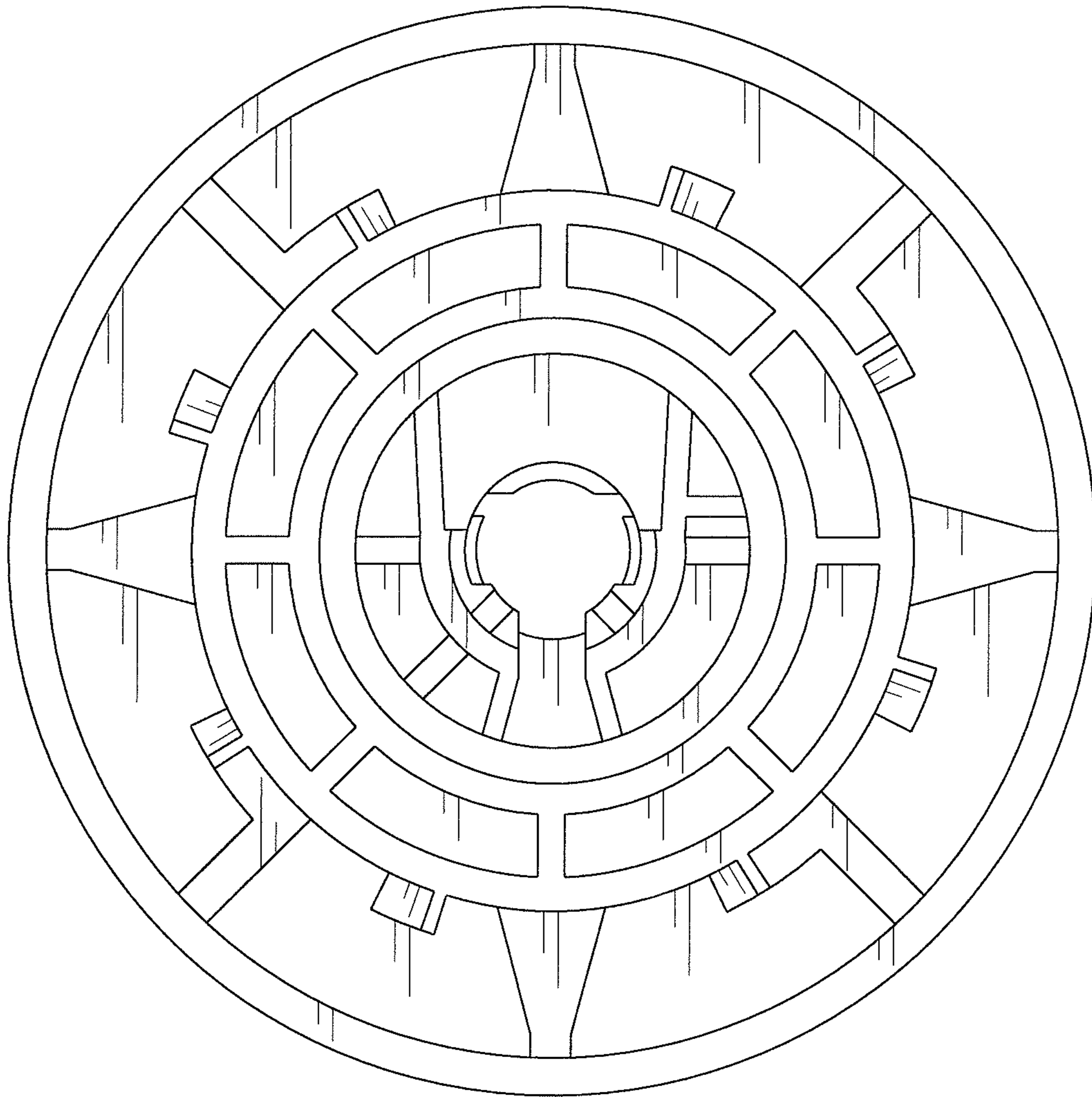


FIG. 4

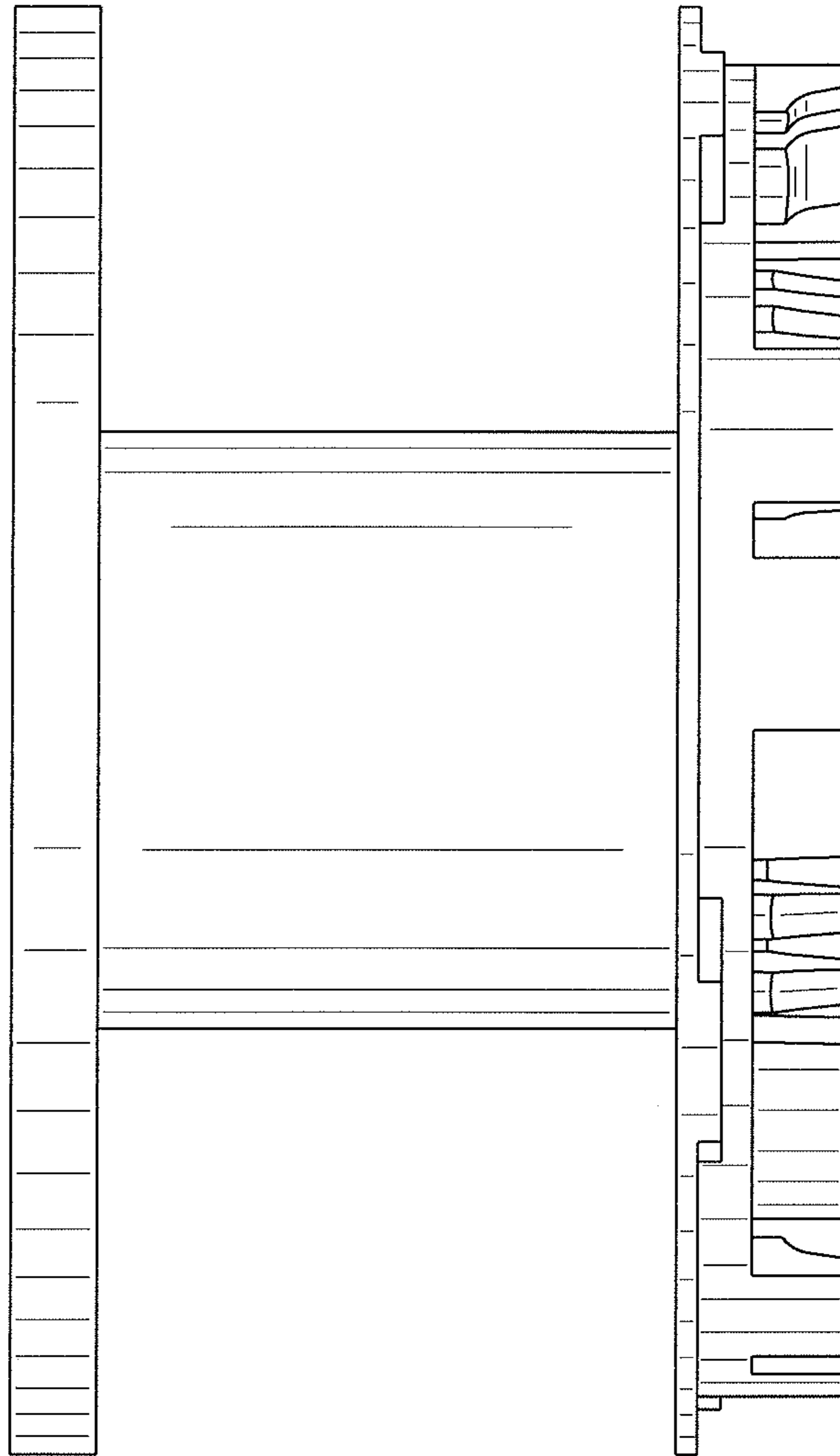


FIG. 5

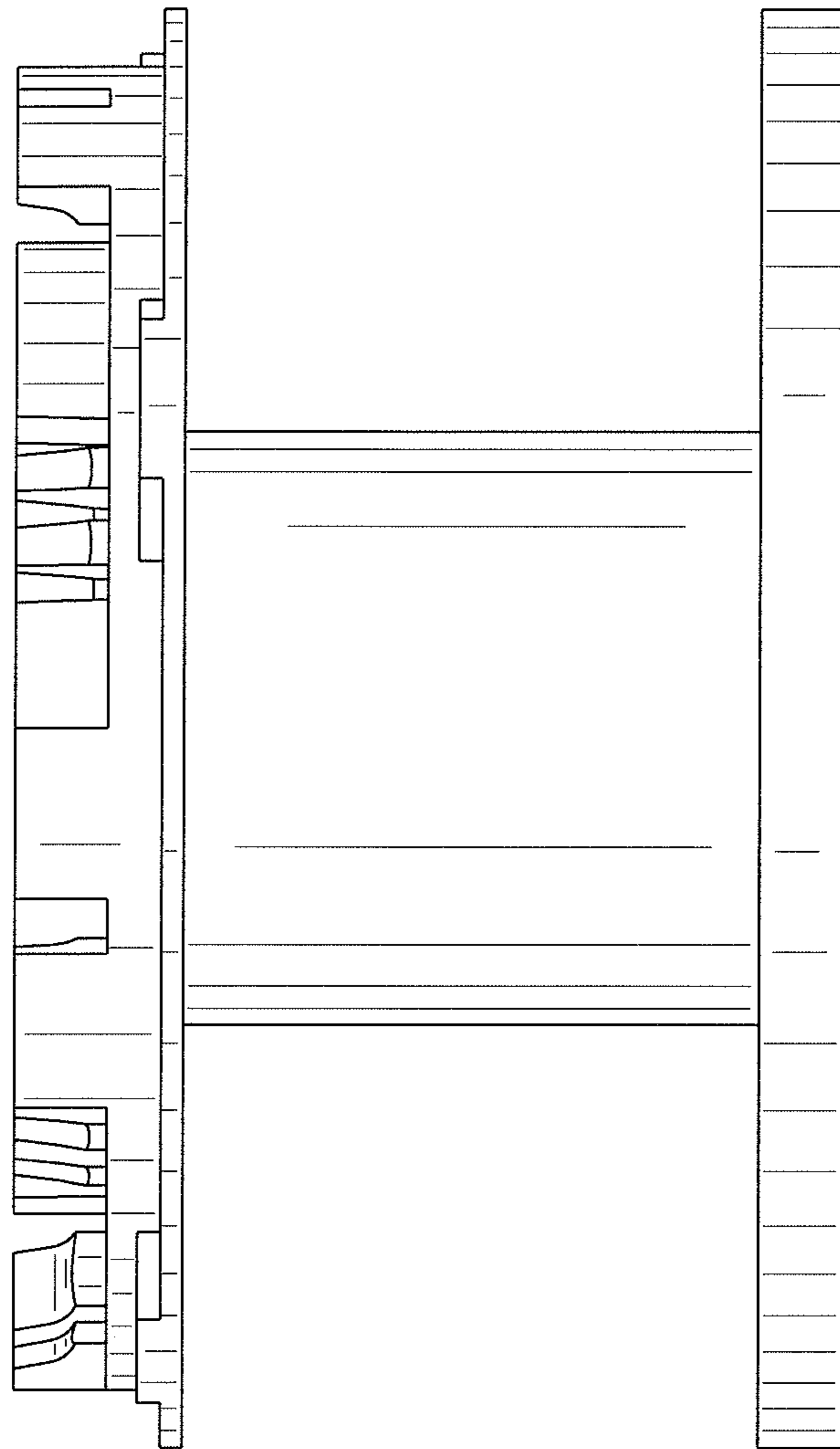


FIG. 6

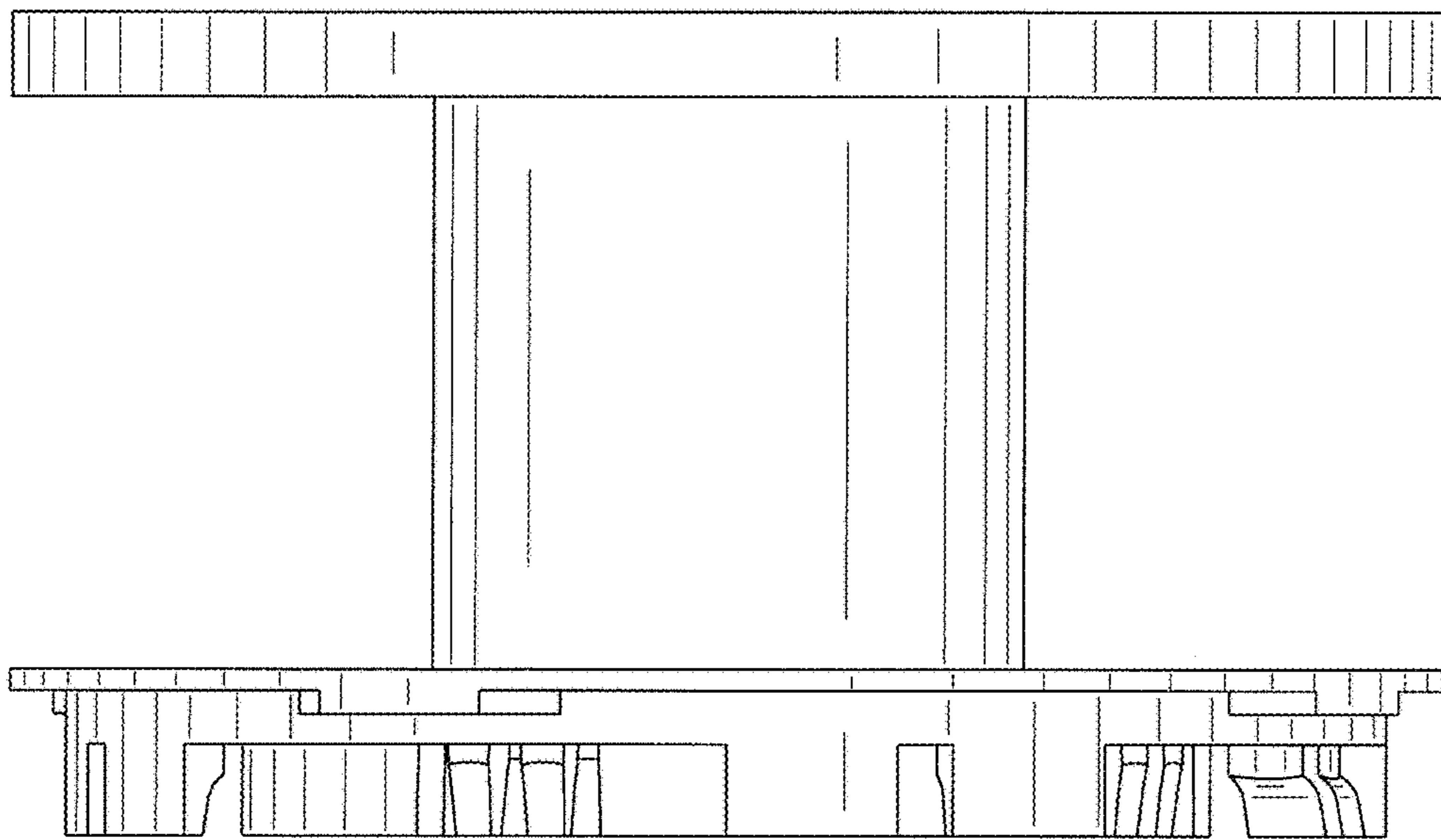


FIG. 7

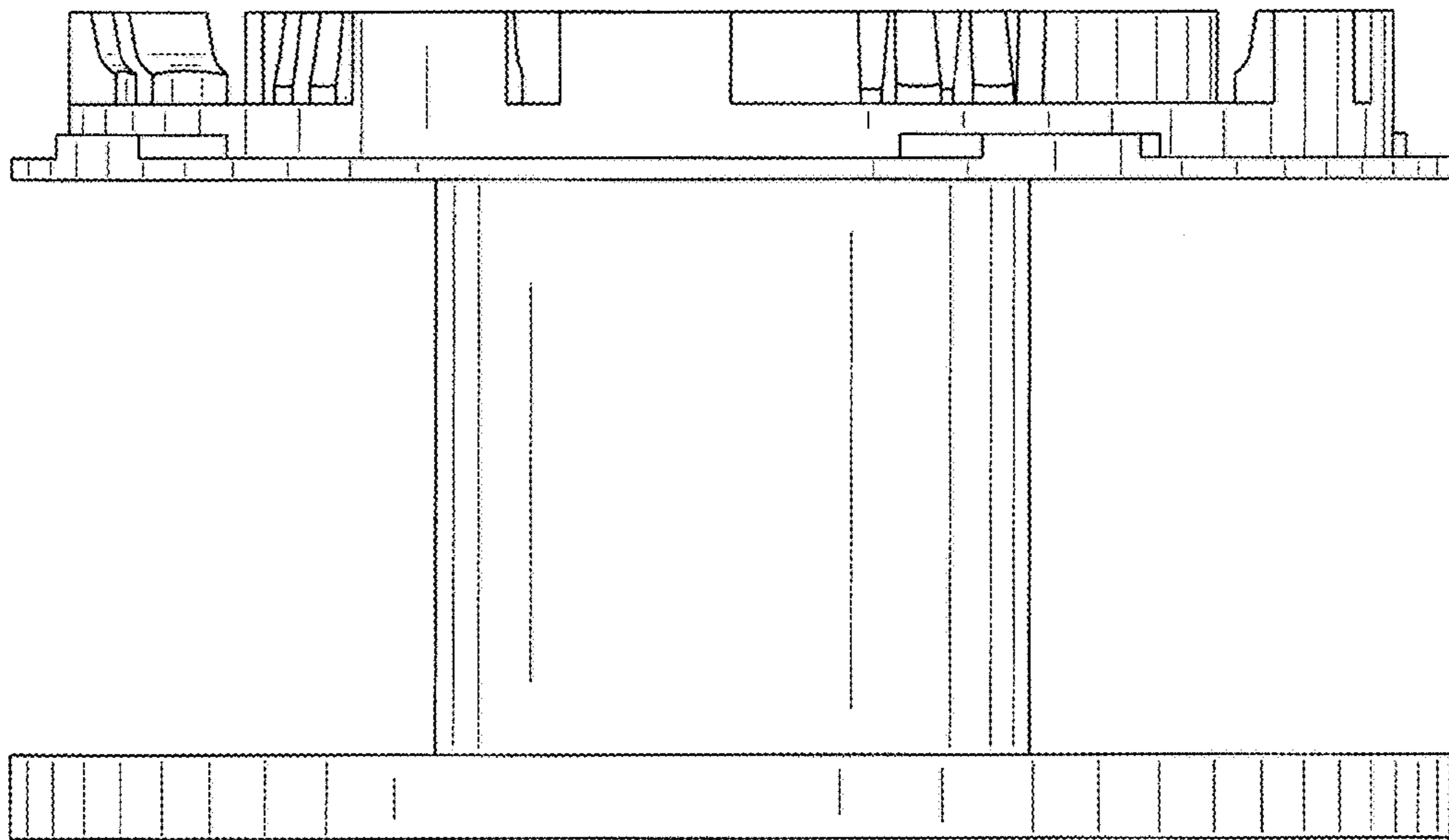


FIG. 8