

US00D845744S

(12) **United States Design Patent**  
**Charette**

(10) **Patent No.:** **US D845,744 S**

(45) **Date of Patent:** **\*\* Apr. 16, 2019**

(54) **SLIDING DOOR**

(71) Applicant: **9143-8010 QUEBEC INC.**, Shawinigan Sud (CA)

(72) Inventor: **Alexandre Charette**,  
Notre-Dame-du-Mont-Carmel (CA)

(73) Assignee: **9143-8010 QUEBEC INC.**, Shawinigan Sud (CA)

(\*\*) Term: **15 Years**

(21) Appl. No.: **29/636,990**

(22) Filed: **Feb. 13, 2018**

(51) **LOC (11) Cl.** ..... **08-05**

(52) **U.S. Cl.**  
USPC ..... **D8/354**; D25/48.5

(58) **Field of Classification Search**  
USPC ..... D8/349, 354, 355, 363, 373, 394;  
D25/48.1, 48.5, 133  
CPC ..... E06B 11/00; E06B 11/02; E05D 7/04  
See application file for complete search history.

(56) **References Cited**

**U.S. PATENT DOCUMENTS**

1,200,879	A *	10/1916	Harrison	.....	E05D 7/04 16/235
D51,500	S *	11/1917	Lindeberg	.....	D25/40
D69,391	S *	2/1926	Silvers	.....	D25/42
3,022,045	A *	2/1962	Silvers	.....	E06B 11/02 256/73
D361,846	S *	8/1995	Te’Kannon	.....	D25/102
D410,835	S *	6/1999	Cosgrove	.....	D8/354
D479,116	S *	9/2003	Gross	.....	D8/349
D574,222	S *	8/2008	Golias, Jr.	.....	D34/38
D606,384	S *	12/2009	Antonic	.....	D8/354
D691,872	S *	10/2013	Lytle	.....	D6/390
D712,816	S *	9/2014	Maholick	.....	D12/223
D753,983	S *	4/2016	Toye	.....	D8/349
D833,851	S *	11/2018	Kanter	.....	D8/354

2003/0217515	A1 *	11/2003	Boroviak	.....	E05D 5/06 49/501
2004/0067101	A1 *	4/2004	Gross	.....	E06B 3/984 403/403
2005/0063770	A1 *	3/2005	Gross	.....	E06B 3/984 403/205

\* cited by examiner

*Primary Examiner* — Leanne Was-Englehart

(74) *Attorney, Agent, or Firm* — Welsh, Flaxman & Gitler, LLC

(57) **CLAIM**

The ornamental design for a sliding door, as shown and described.

**DESCRIPTION**

FIG. 1 is a front view of the sliding door showing the environment in dashed lines not claimed as part of the invention;

FIG. 2 is a left side view of the sliding door showing the environment in dashed lines not claimed as part of the invention;

FIG. 3 is a right side view of the sliding door showing the environment in dashed lines not claimed as part of the invention;

FIG. 4 is a top view of the sliding door showing the environment in dashed lines not claimed as part of the invention;

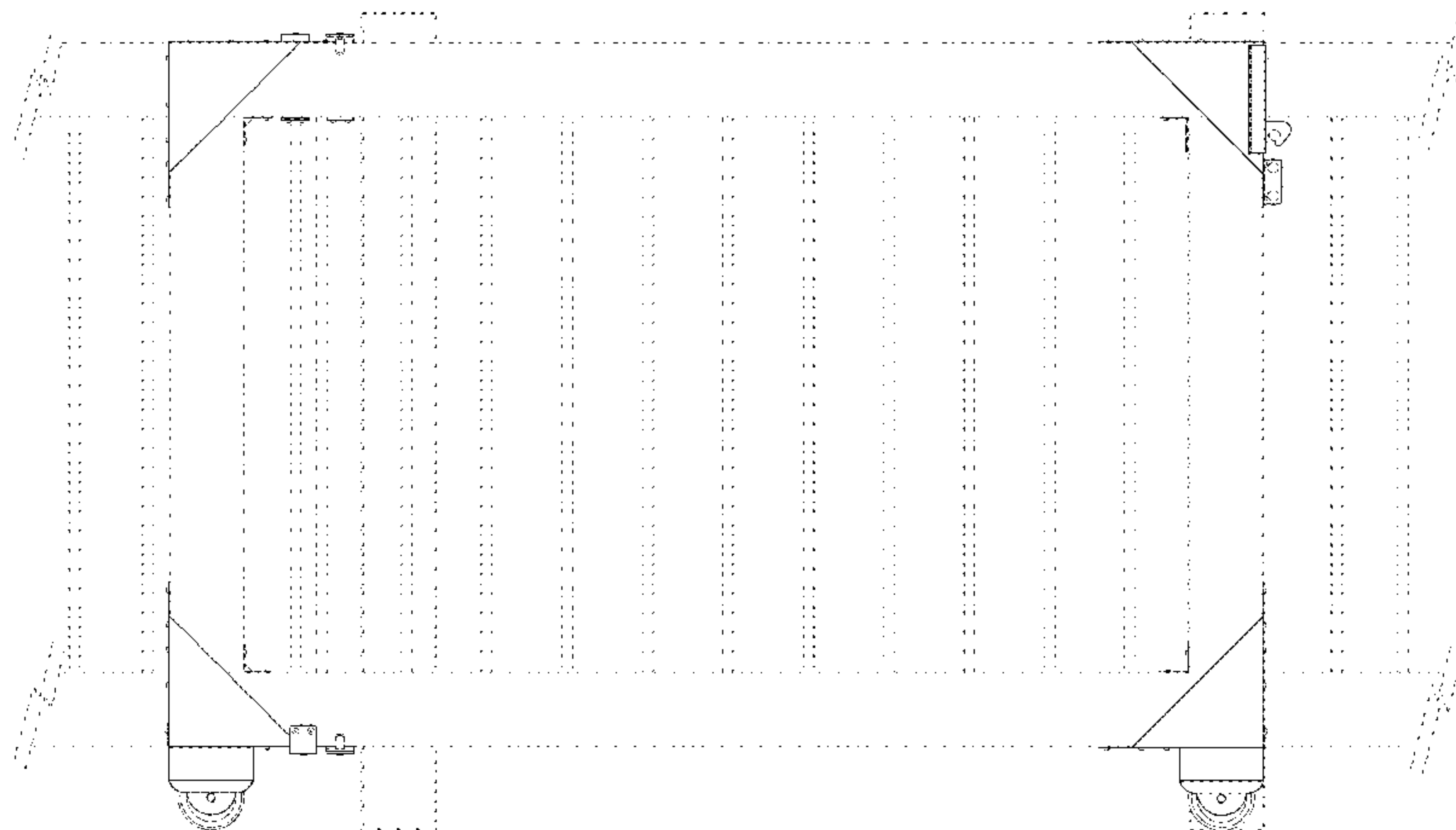
FIG. 5 is a bottom view of the sliding door showing the environment in dashed lines not claimed as part of the invention;

FIG. 6 is a front angled perspective view of the sliding door showing the environment in dashed lines not claimed as part of the invention; and,

FIG. 7 is a front angled perspective view of the sliding door showing the environment in dashed lines not claimed as part of the invention.

The broken lines shown in FIGS. 1-7 illustrate portions of the sliding door that form no part of the claimed design.

**1 Claim, 7 Drawing Sheets**



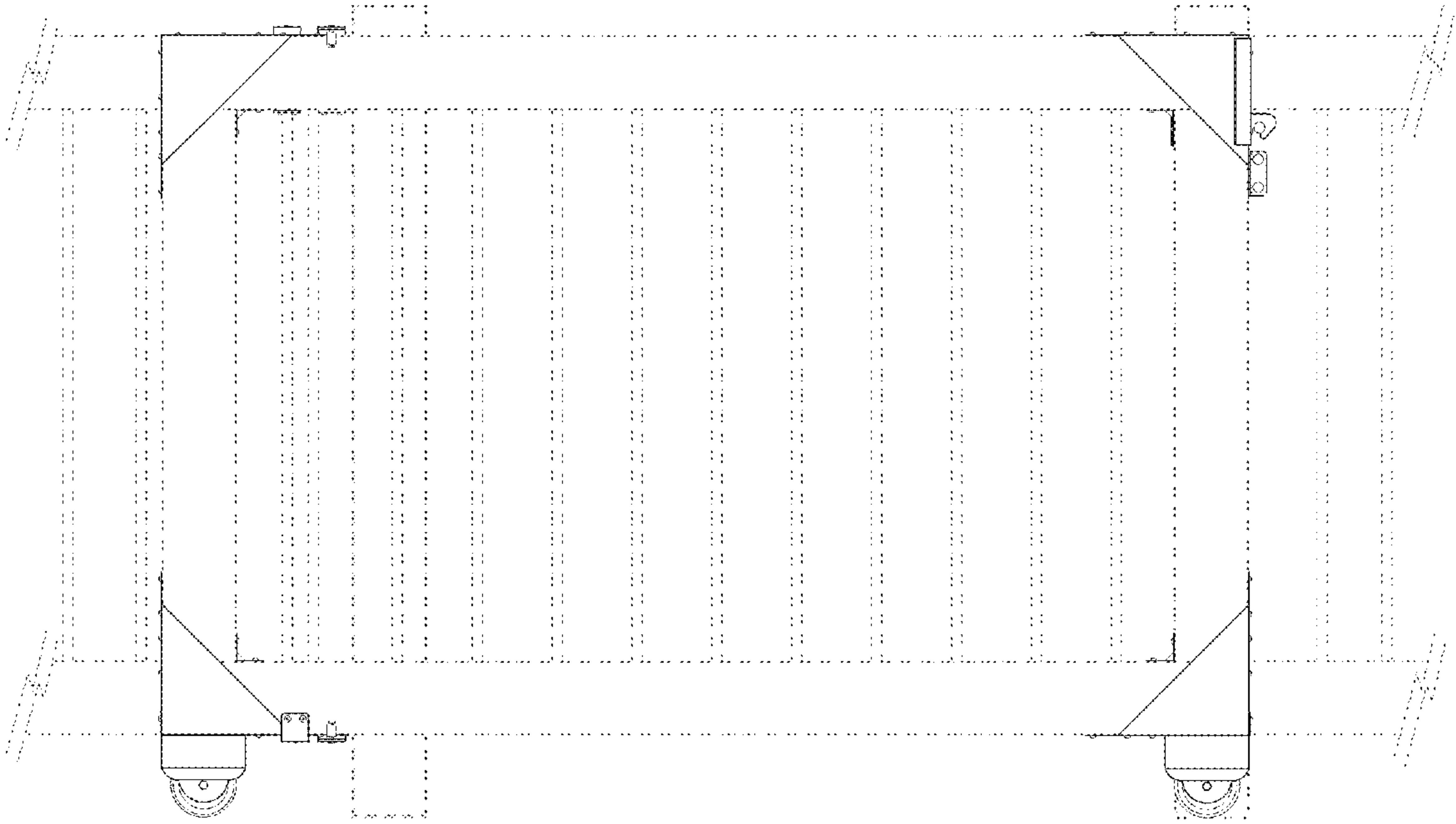


FIGURE 1

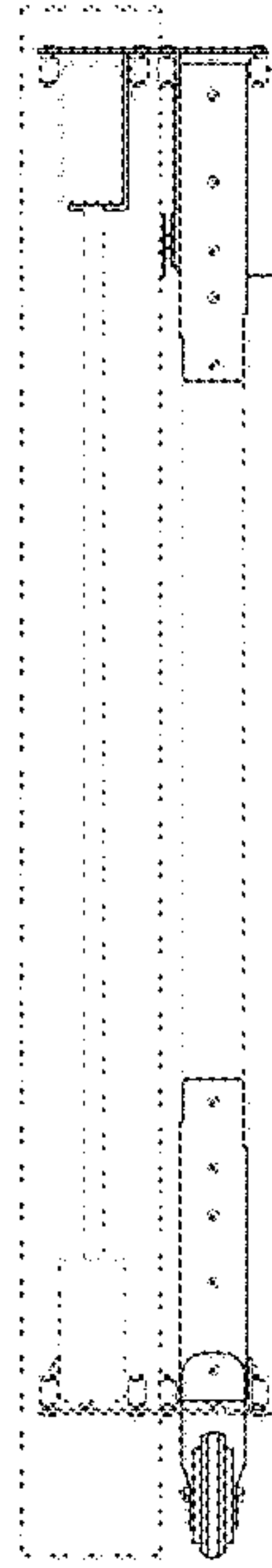


FIGURE 2

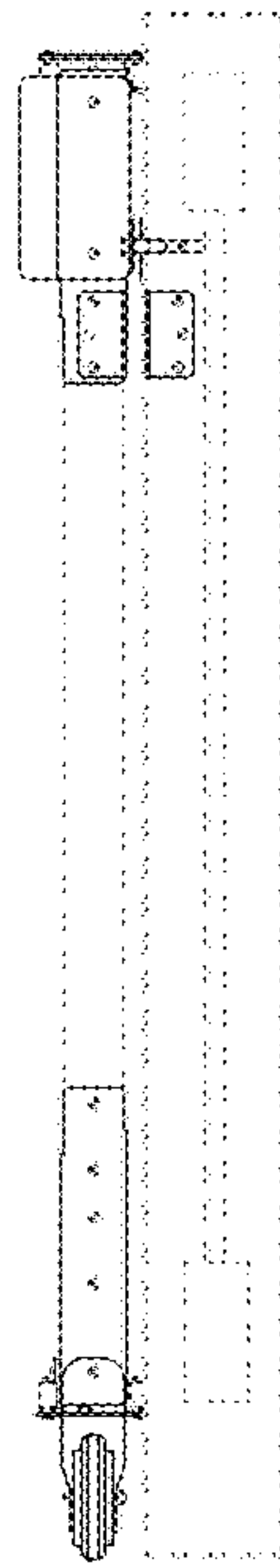


FIGURE 3



FIGURE 4

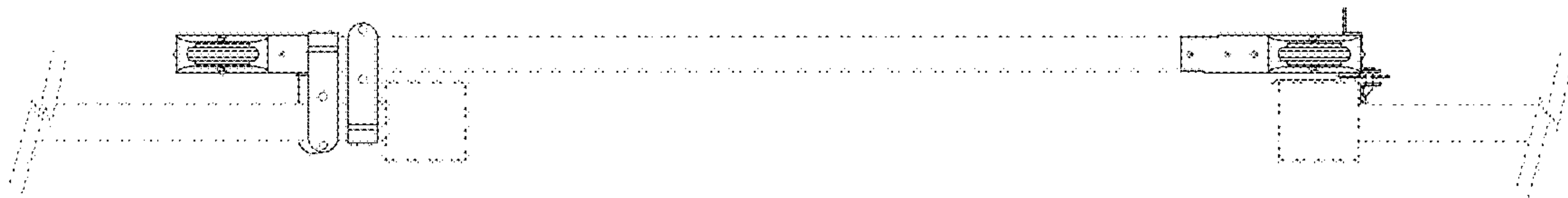


FIGURE 5

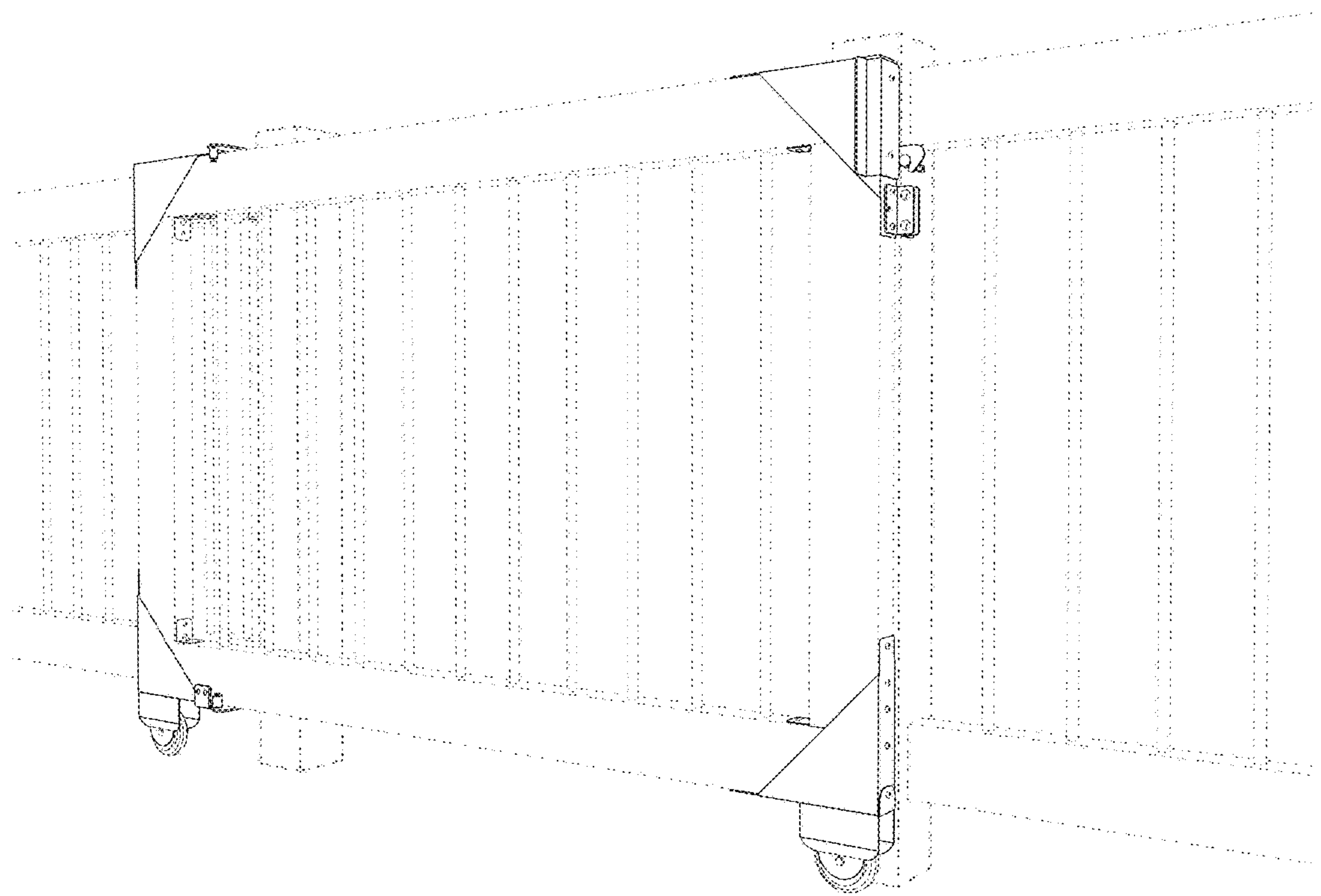


FIGURE 6

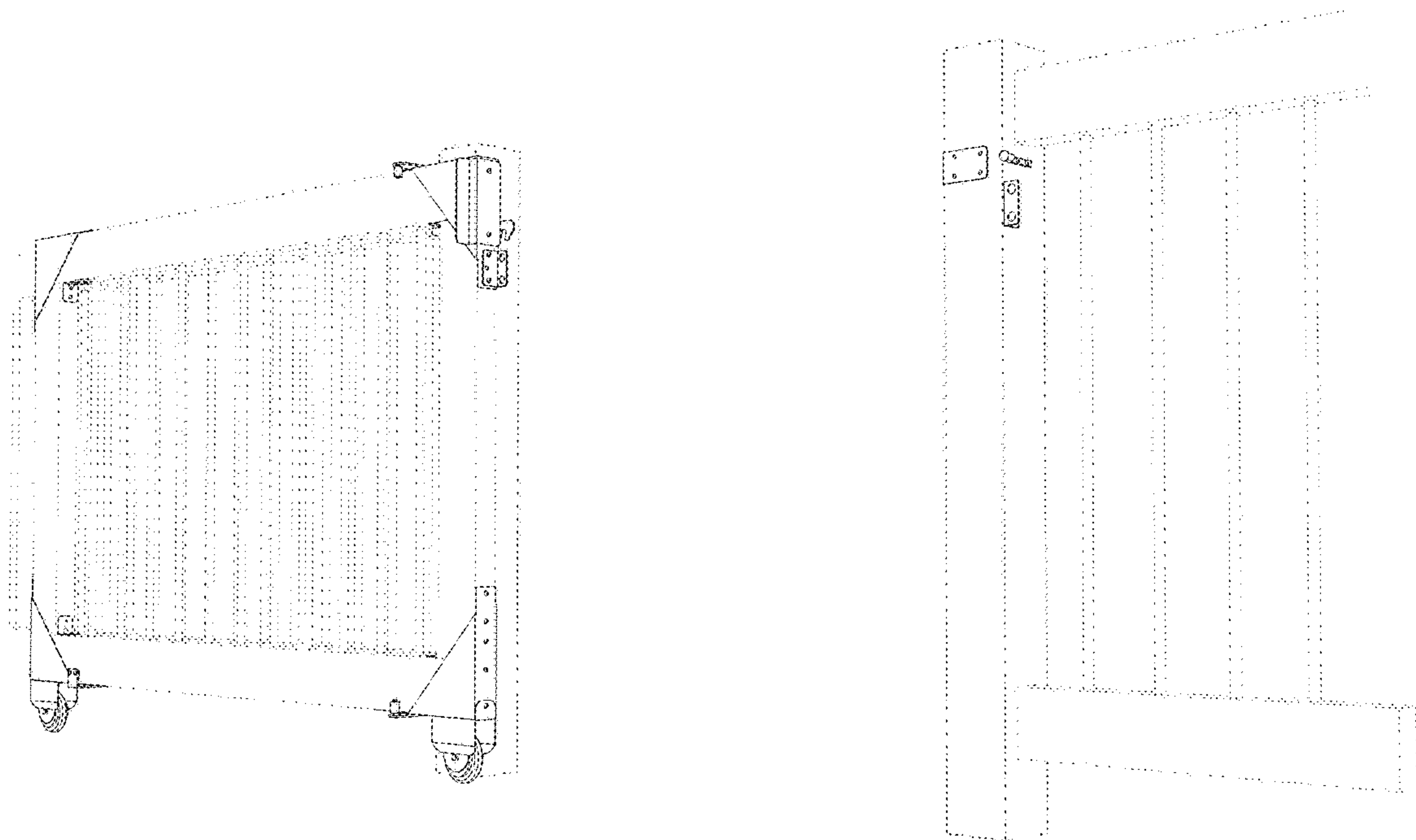


FIGURE 7