



US00D845743S

(12) **United States Design Patent**
Walker

(10) **Patent No.:** **US D845,743 S**

(45) **Date of Patent:** **** Apr. 16, 2019**

(54) **HEIGHT ADJUSTABLE AIR CONDITIONER SUPPORT**

(71) Applicant: **Brian Walker**, Mount Prospect, IL (US)

(72) Inventor: **Brian Walker**, Mount Prospect, IL (US)

(**) Term: **15 Years**

(21) Appl. No.: **29/565,486**

(22) Filed: **May 20, 2016**

(51) **LOC (11) Cl.** **08-08**

(52) **U.S. Cl.**
USPC **D8/354**

(58) **Field of Classification Search**
USPC D8/380, 354, 349, 373; 248/346.01, 70, 248/74.4; 52/169.9, 126.6, 143, DIG. 11
CPC F16L 3/16; F16L 1/0243; F16L 1/028
See application file for complete search history.

(56) **References Cited**

U.S. PATENT DOCUMENTS

- 3,921,356 A * 11/1975 Hughes E04B 1/2604
52/299
- 4,581,863 A * 4/1986 Thaler E04D 13/1407
248/354.3
- 4,882,887 A * 11/1989 Giles E04B 1/34352
248/228.1

- 5,561,950 A * 10/1996 Collins E02D 27/32
248/354.3
- 5,862,635 A * 1/1999 Linse E04H 9/14
52/126.6
- D435,433 S * 12/2000 Miller D8/354
- D607,711 S * 1/2010 Adams D8/354
- D793,848 S * 8/2017 Charette D8/354

* cited by examiner

Primary Examiner — Mark A Goodwin

(57) **CLAIM**

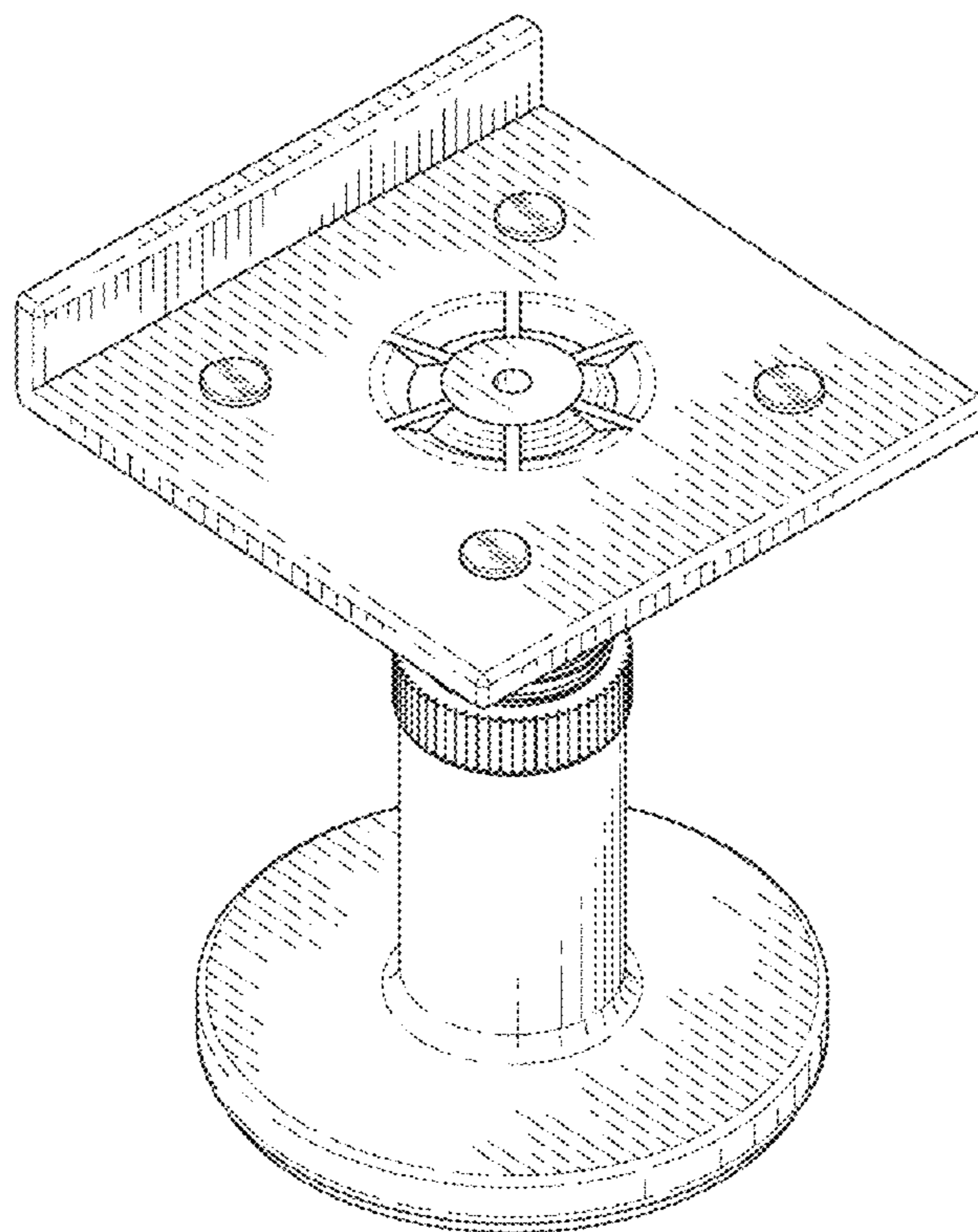
The ornamental design for a height adjustable air conditioner support, as shown and described.

DESCRIPTION

FIG. 1 is a perspective view of a height adjustable air conditioner support showing my new design;
 FIG. 2 is another perspective view of my new design as shown in FIG. 1;
 FIG. 3 is a right side elevational view thereof;
 FIG. 4 is a left side elevational view thereof;
 FIG. 5 is a back elevational view thereof;
 FIG. 6 is a front elevational view thereof;
 FIG. 7 is a bottom plan view thereof; and,
 FIG. 8 is a top plan view thereof.

The broken lines in the drawings depict portions of the height adjustable air conditioner support that form no part of the claim.

1 Claim, 7 Drawing Sheets



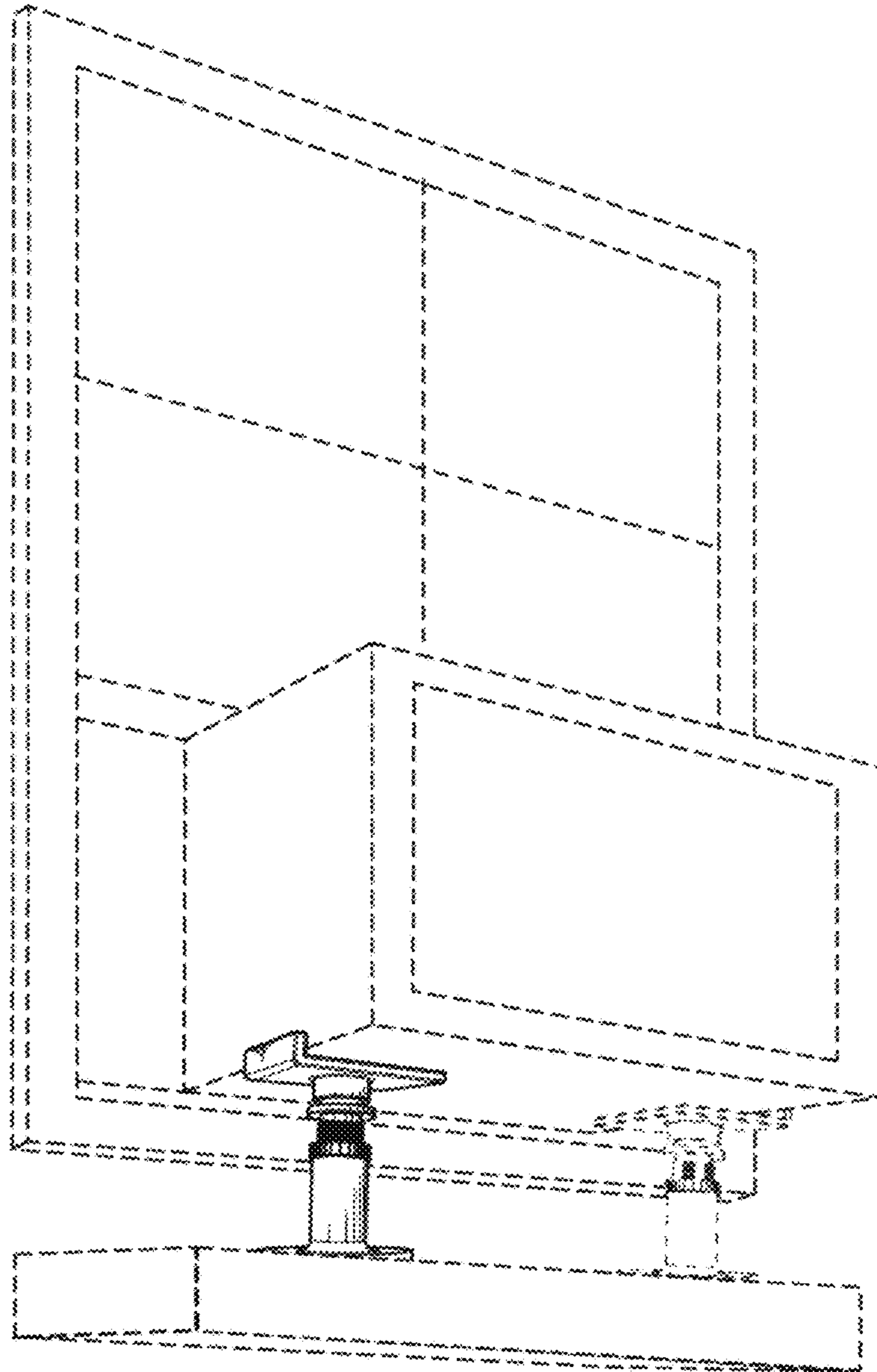


FIG. 1

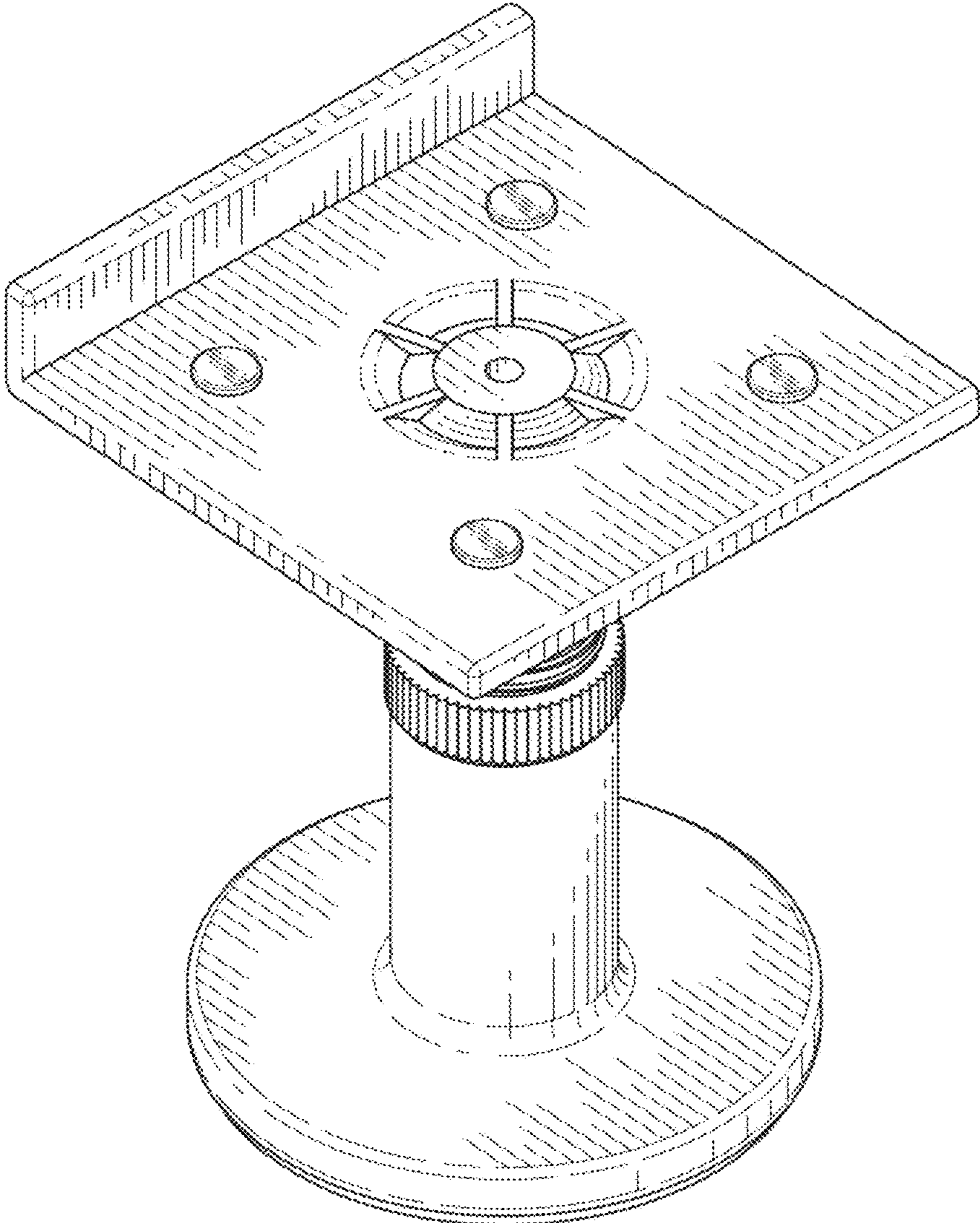


FIG. 2

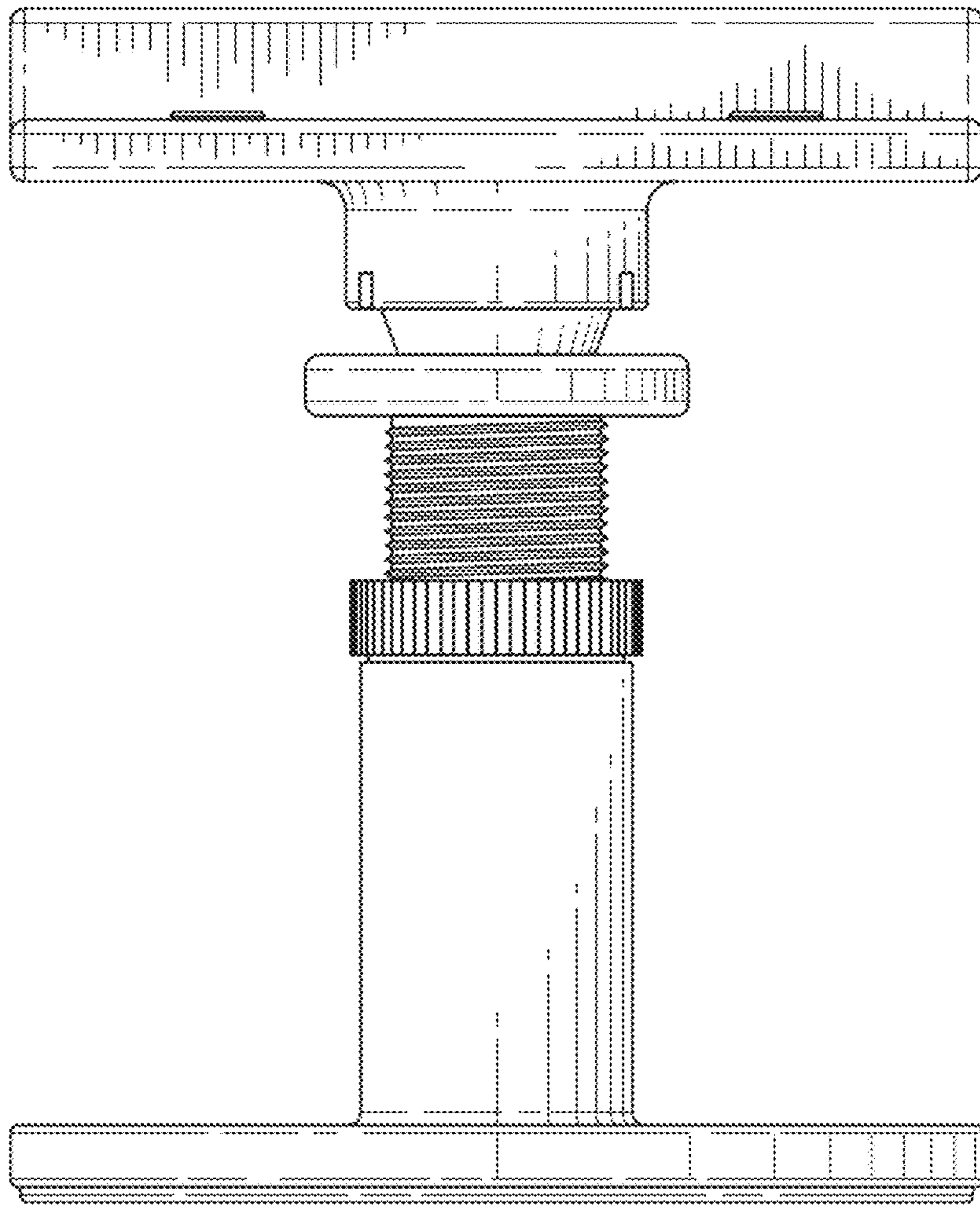


FIG. 3

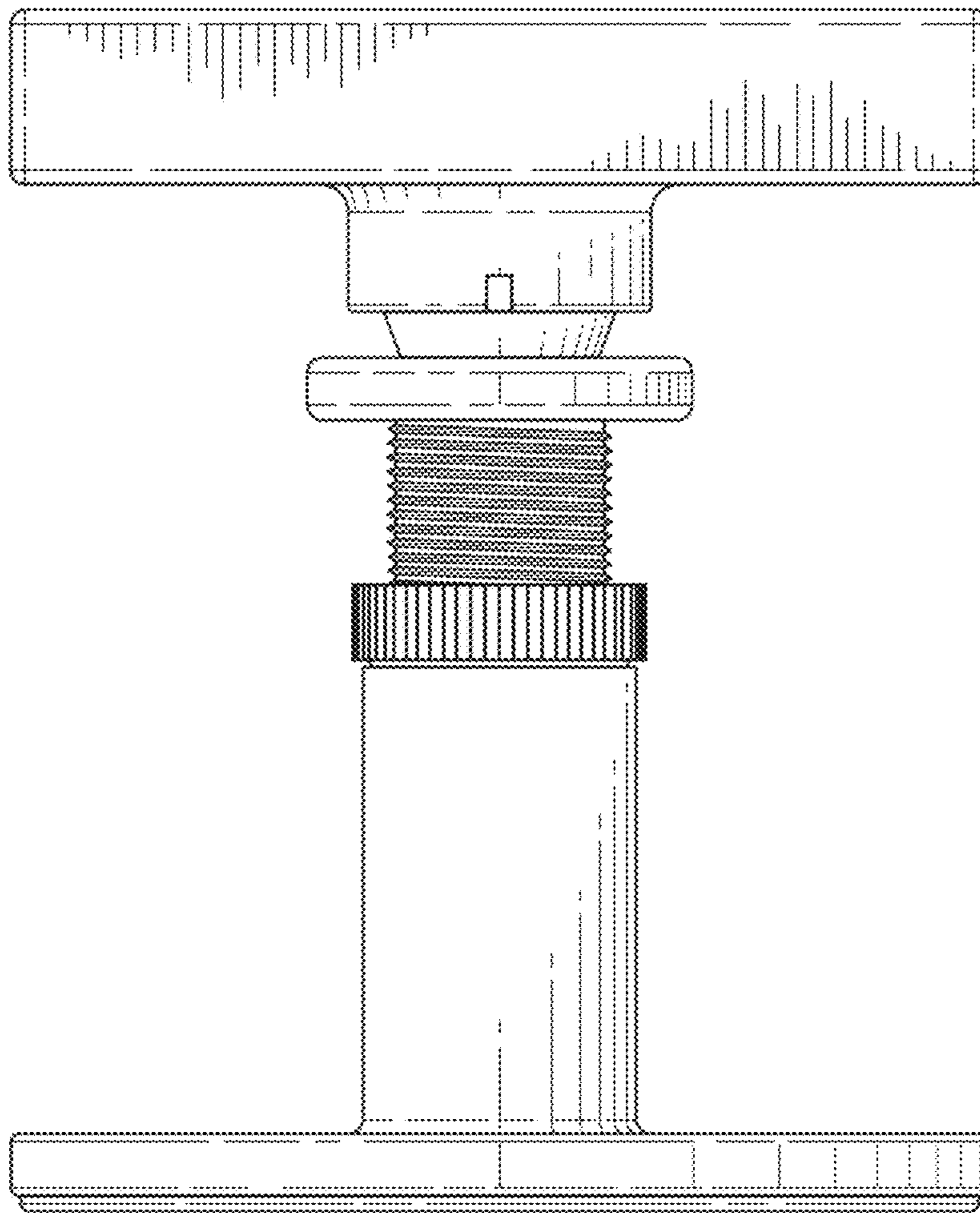


FIG. 4

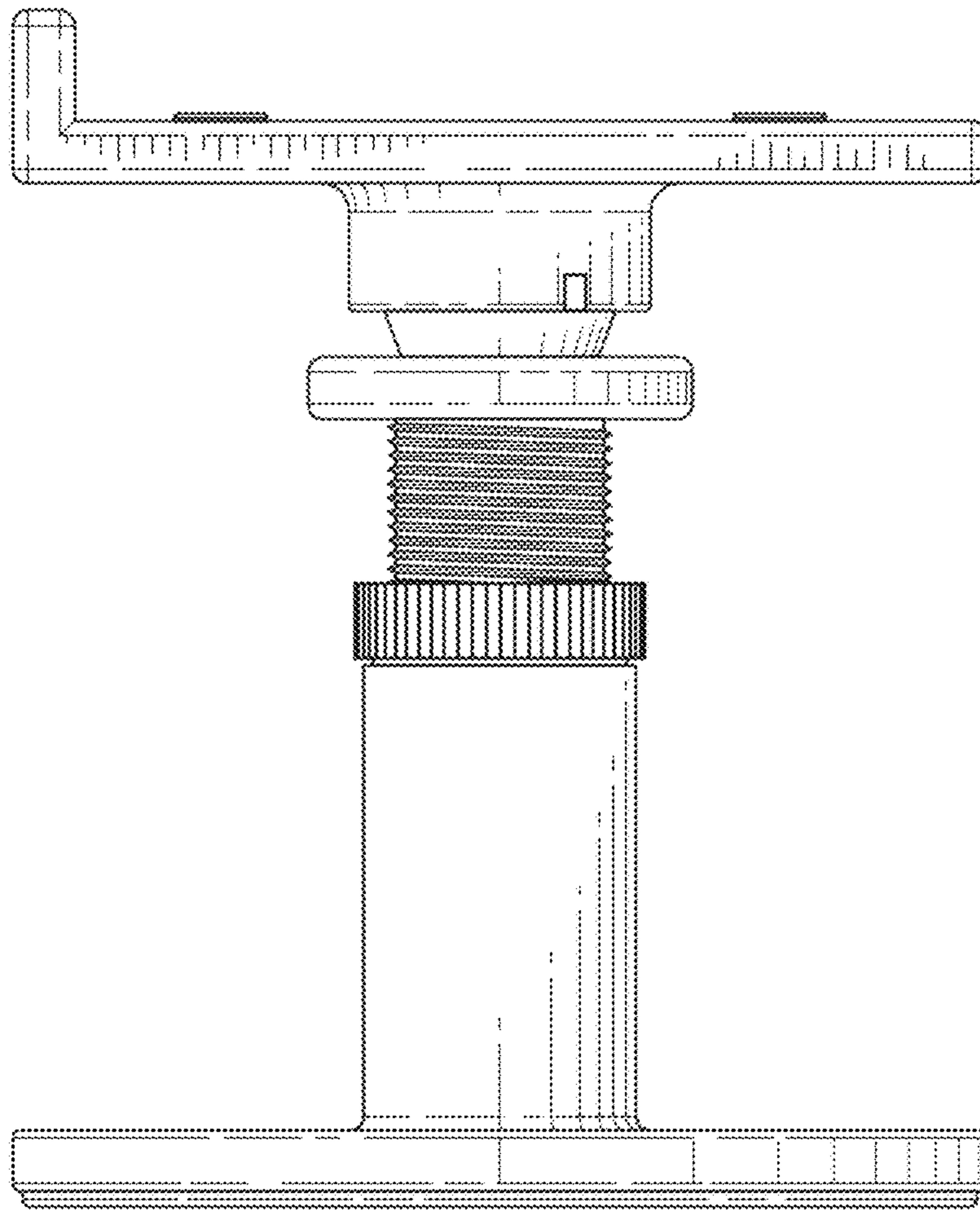


FIG. 5

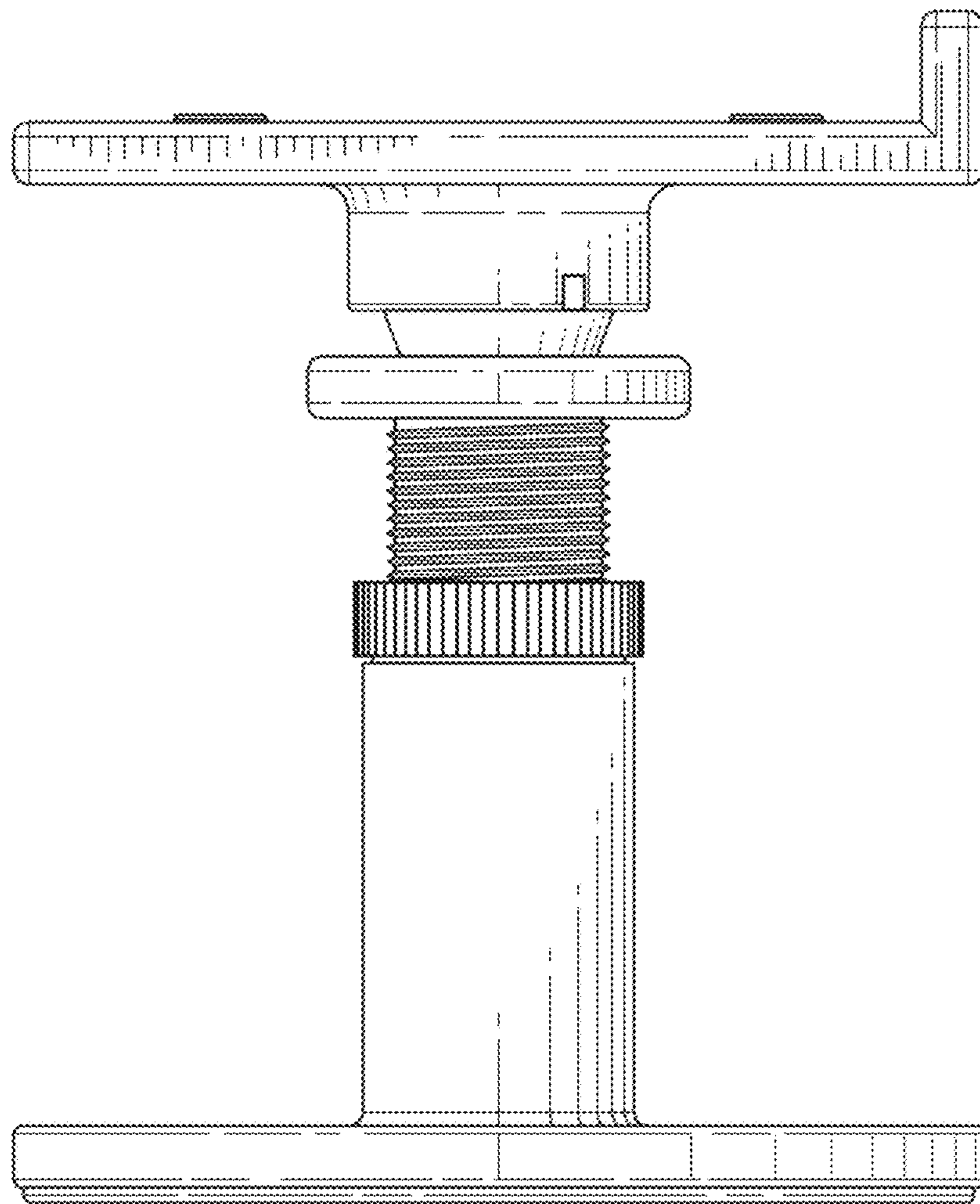


FIG. 6

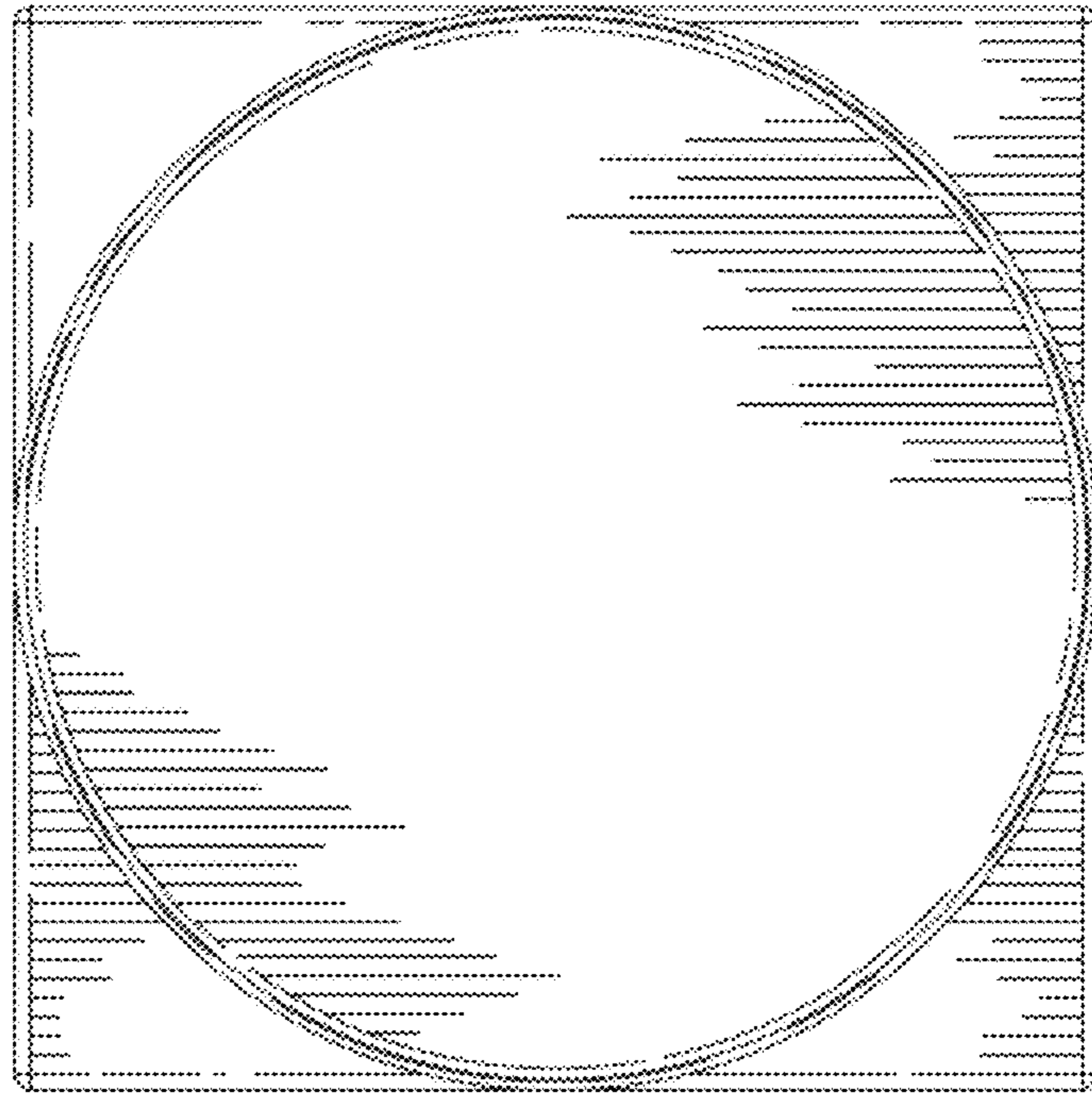


FIG. 8

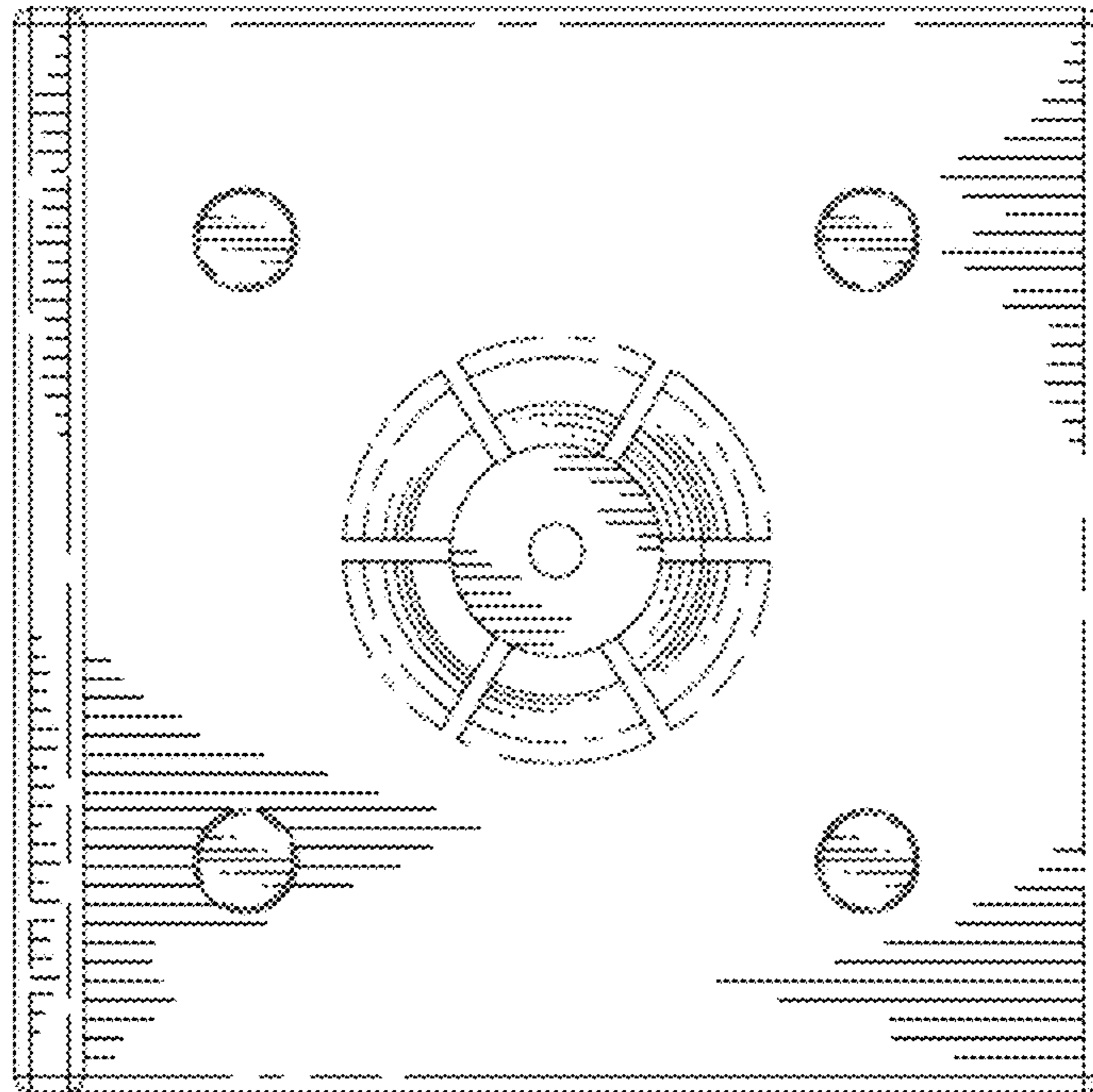


FIG. 7