



US00D845737S

(12) **United States Design Patent**
Descamps

(10) **Patent No.:** **US D845,737 S**
(45) **Date of Patent:** **** Apr. 16, 2019**

(54) **TIP FOR DRILL**
(71) Applicant: **PROFERRO NV**, Ieper (BE)
(72) Inventor: **Rik Descamps**, Langemark (BE)
(**) Term: **15 Years**
(21) Appl. No.: **35/503,970**
(22) Filed: **Oct. 20, 2017**

D461,696 S * 8/2002 Chunn D15/140
D461,697 S * 8/2002 Chunn D15/140
D462,249 S * 9/2002 Chunn D15/140
D474,388 S * 5/2003 Wu D8/86
8,448,547 B2 * 5/2013 Whitehead B25B 27/18
81/441
D714,122 S * 9/2014 Lin D8/86
D754,513 S * 4/2016 Burch D8/86
D766,691 S * 9/2016 Liu D8/86
2003/0136228 A1 * 7/2003 Liu B25B 27/18
81/53.2

* cited by examiner

Primary Examiner — Eliza Z Bennett-Hattan

(80) **Hague Agreement Data**

Int. Filing Date: **Oct. 20, 2017**
Int. Reg. No.: **DM/098301**
Int. Reg. Date: **Oct. 20, 2017**
Int. Reg. Pub. Date: **Nov. 17, 2017**

(57) **CLAIM**

The ornamental design for a tip for drill, as shown and described.

(51) **LOC (11) Cl.** **08-05**

(52) **U.S. Cl.**
USPC **D8/86; D8/70**

DESCRIPTION

(58) **Field of Classification Search**
USPC D8/70, 82–87, 105; D15/139
CPC B25B 15/005; B25B 15/001; B25B 15/02;
F16B 23/003; B23B 2251/66
See application file for complete search history.

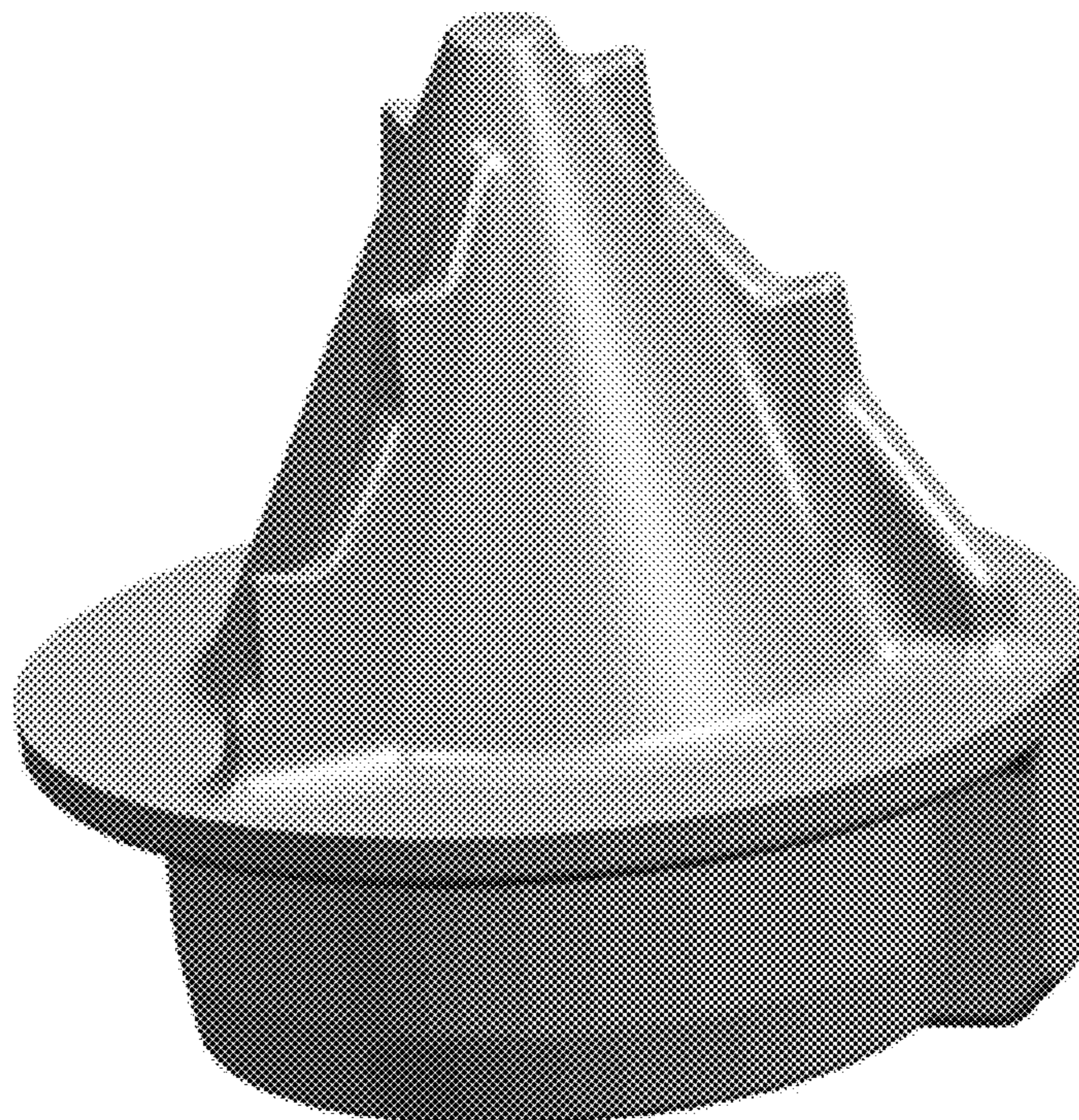
Tip for drill
1.1 is a top perspective view of a tip for drill;
1.2 is another top perspective view thereof;
1.3 is another top perspective view thereof;
1.4 is a top view thereof;
1.5 is a left side view thereof;
1.6 is a right side view thereof;
1.7 is a front view thereof;
1.8 is a back view thereof;
1.9 is a bottom view thereof.

(56) **References Cited**

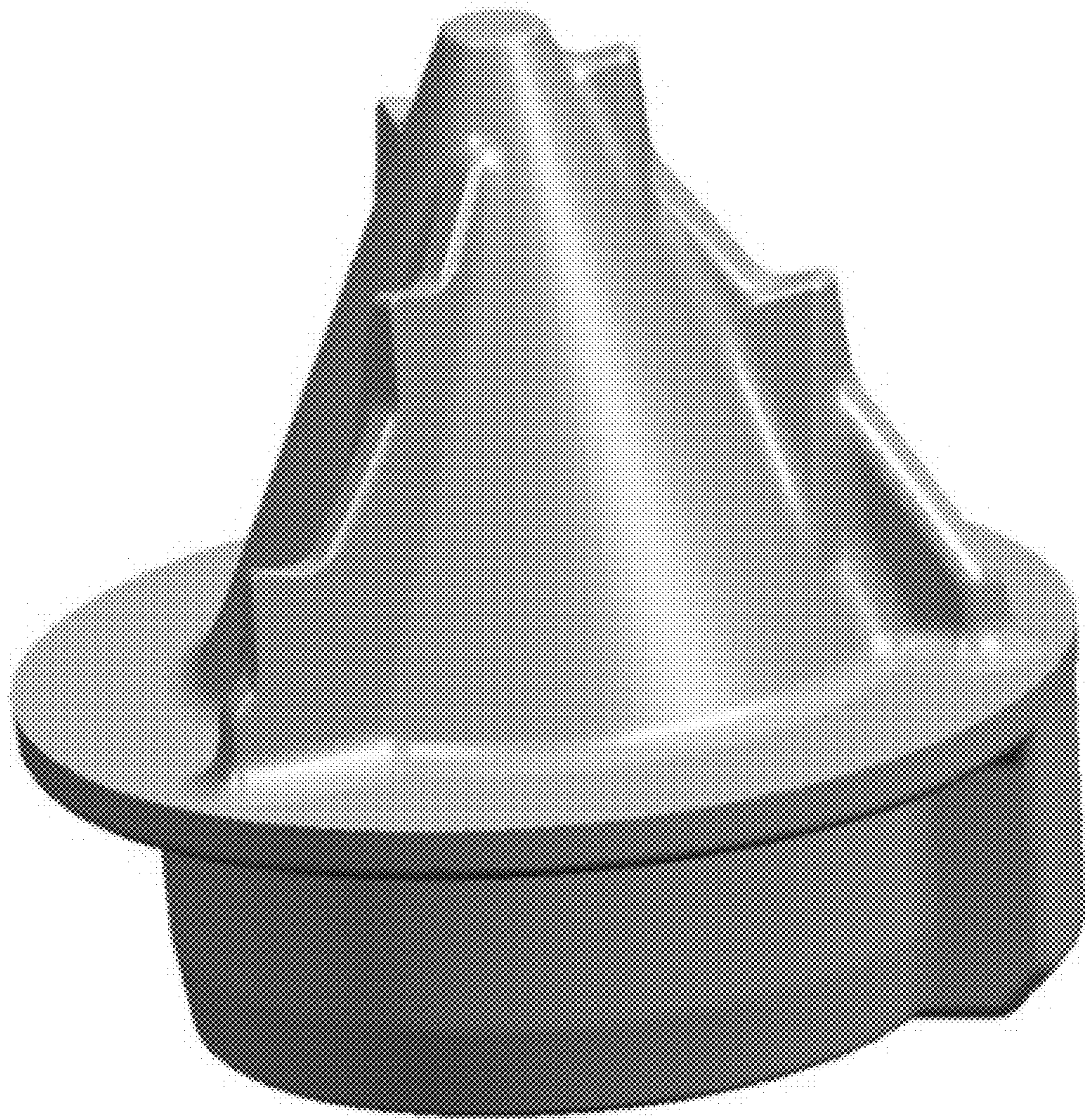
U.S. PATENT DOCUMENTS

4,777,850 A * 10/1988 Polonsky B25B 27/18
408/226
D431,768 S * 10/2000 Feik D8/70

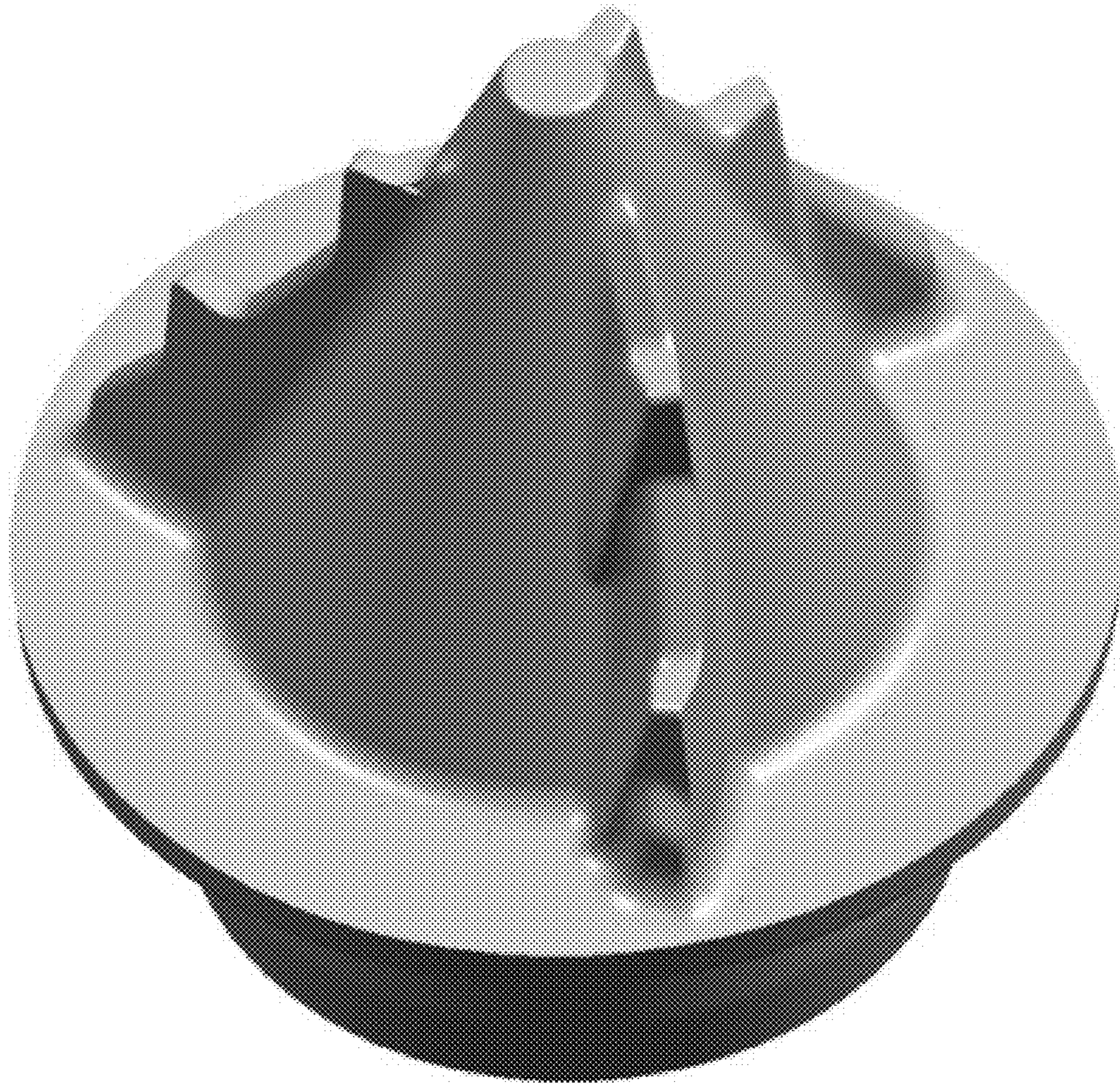
1 Claim, 9 Drawing Sheets



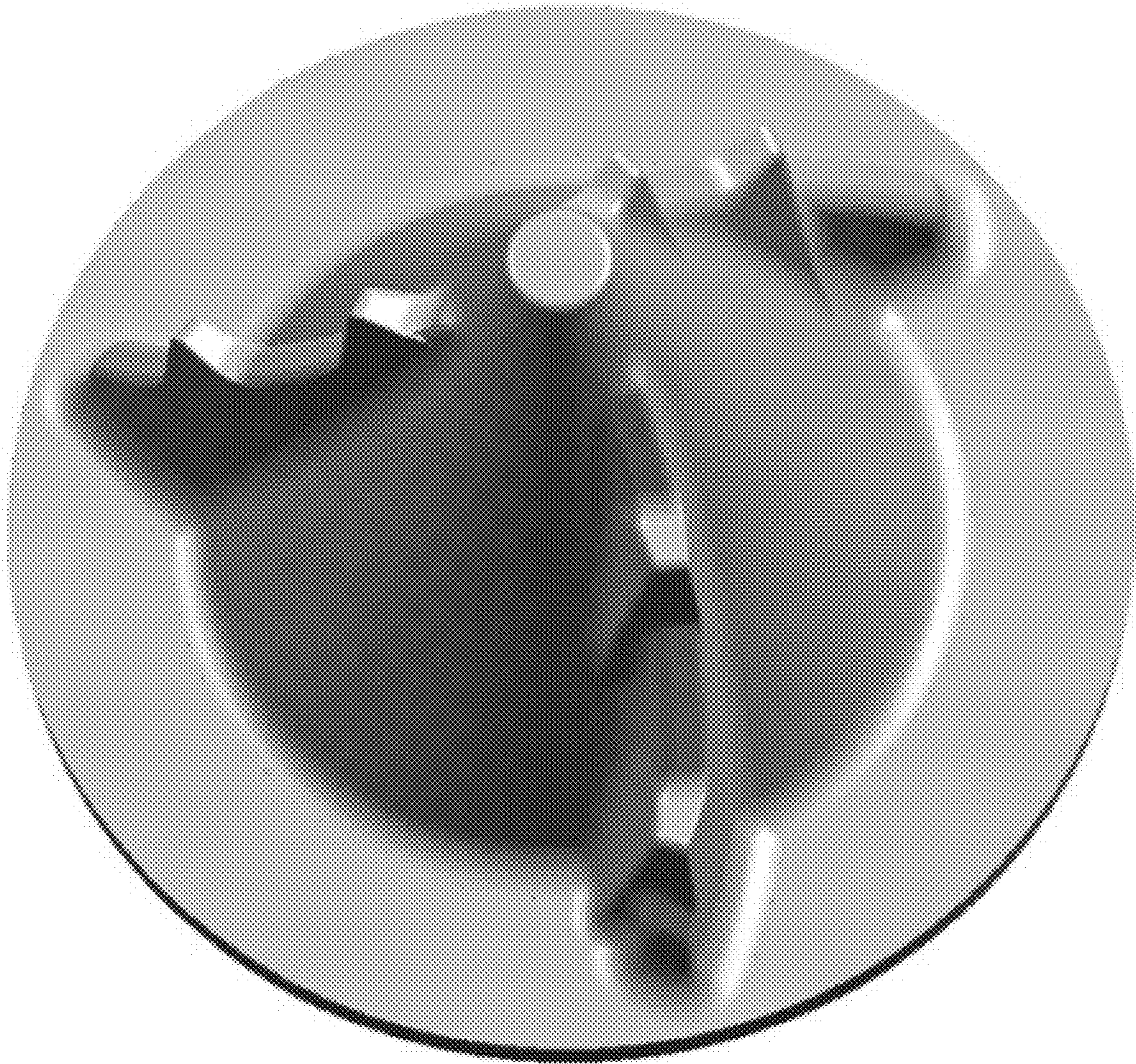
1.1



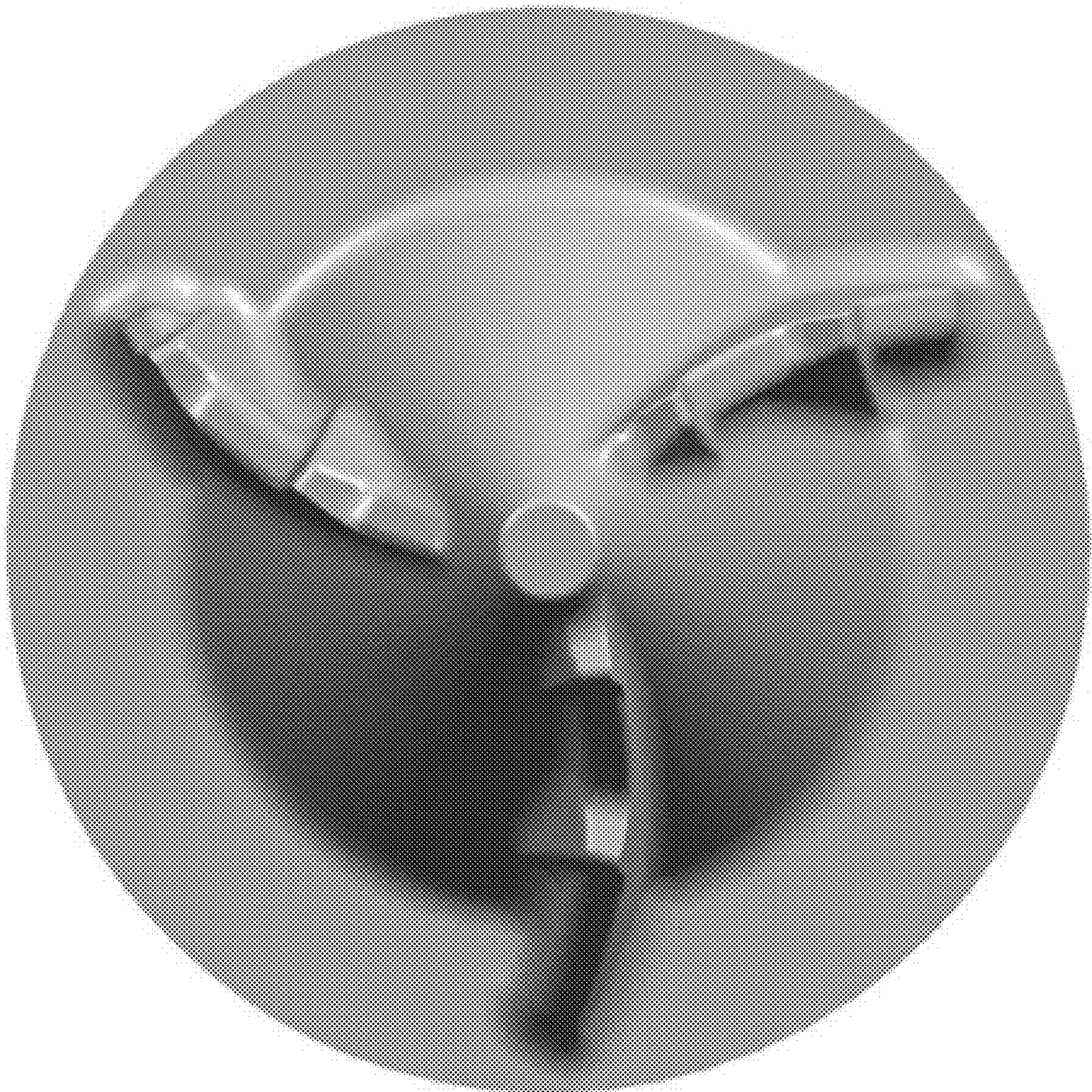
1.2



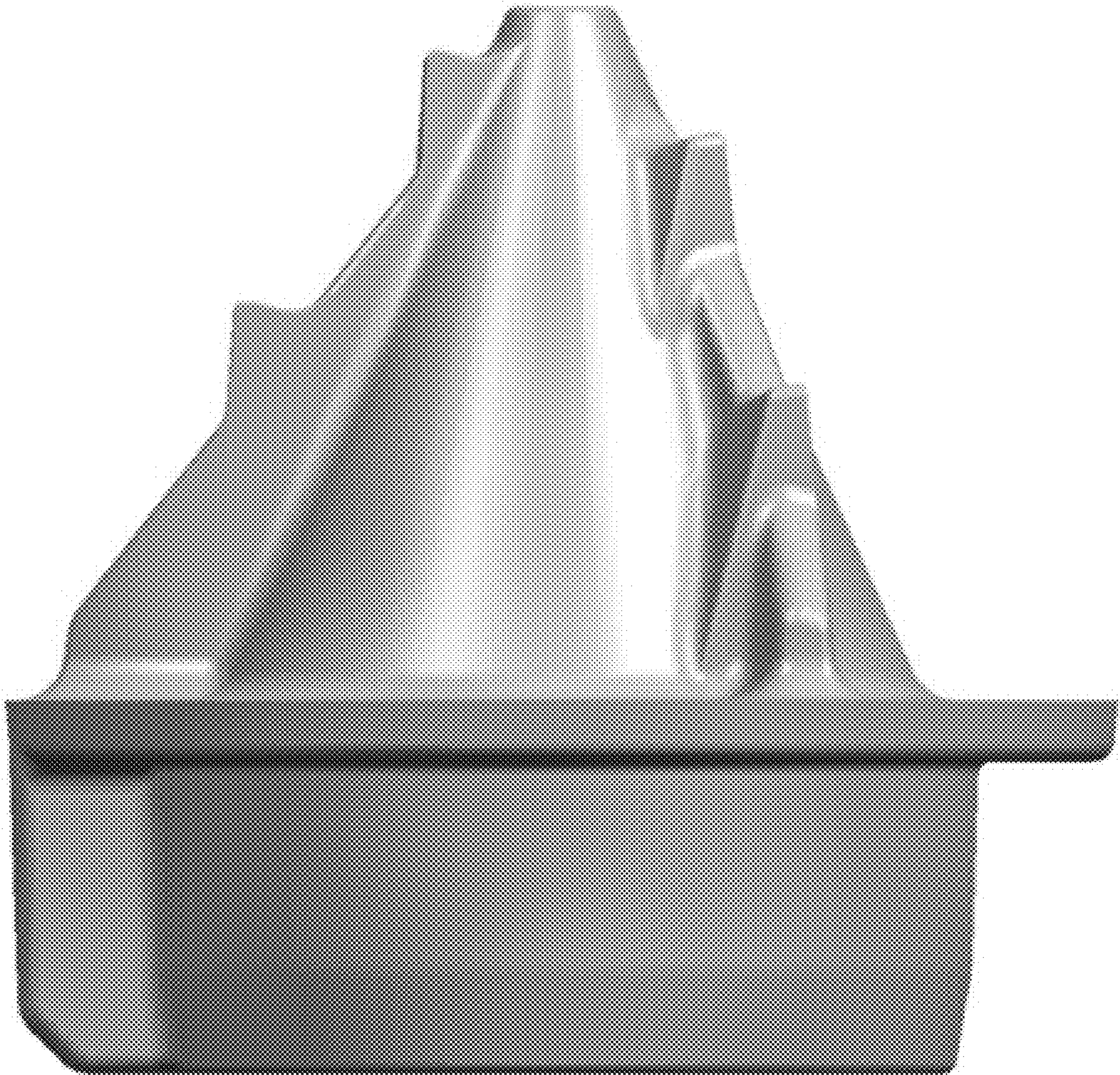
1.3



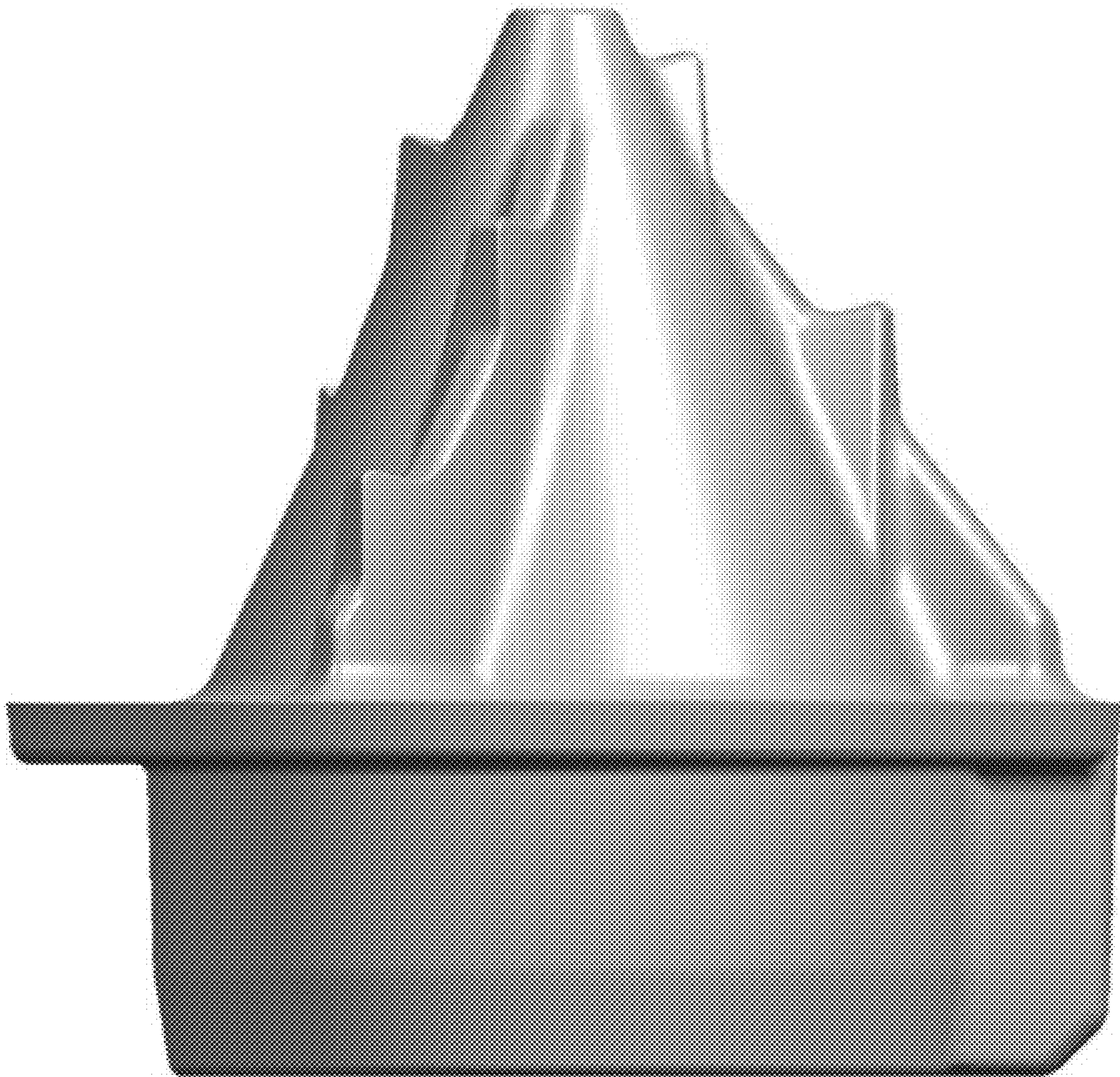
1.4



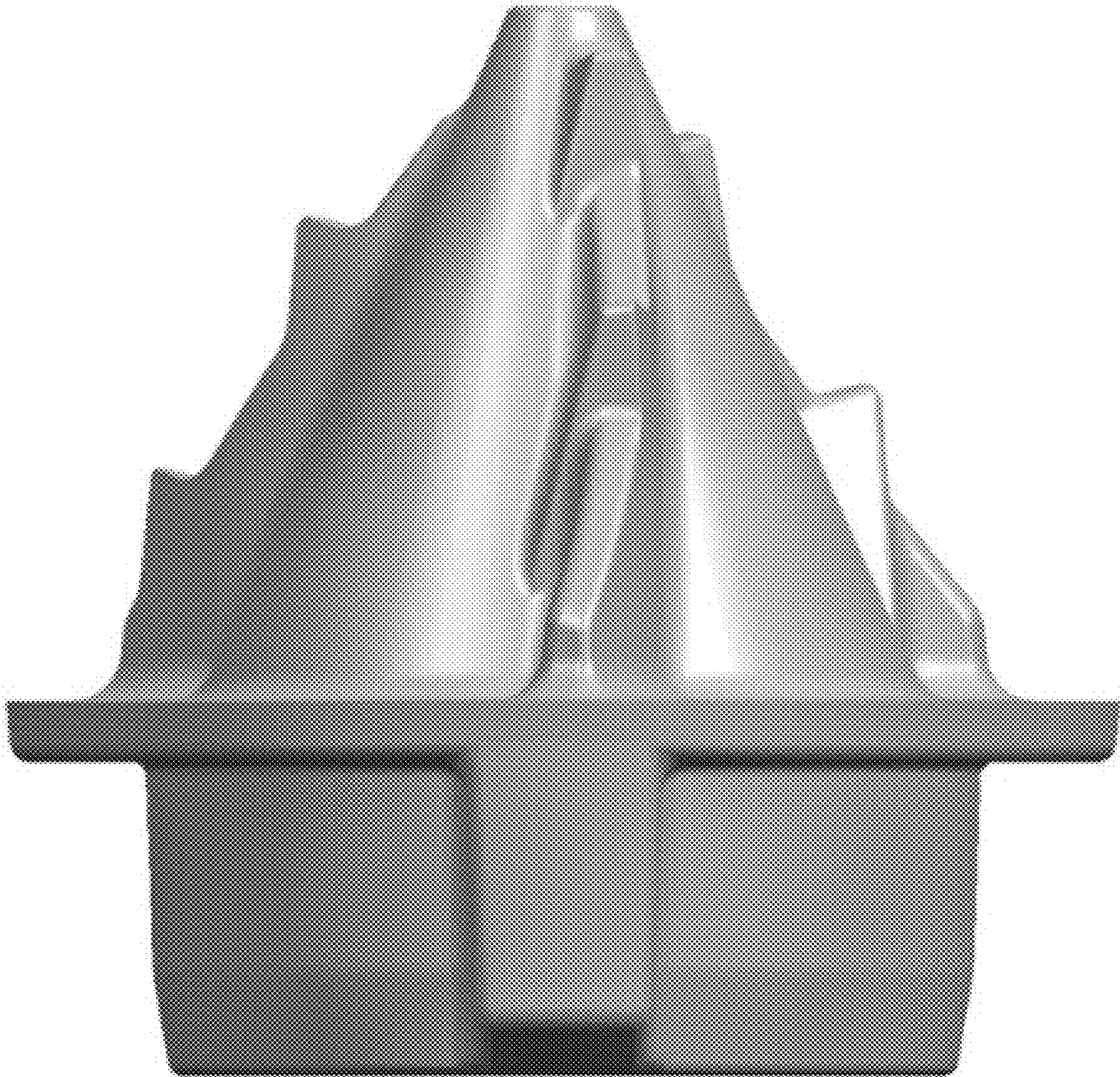
1.5



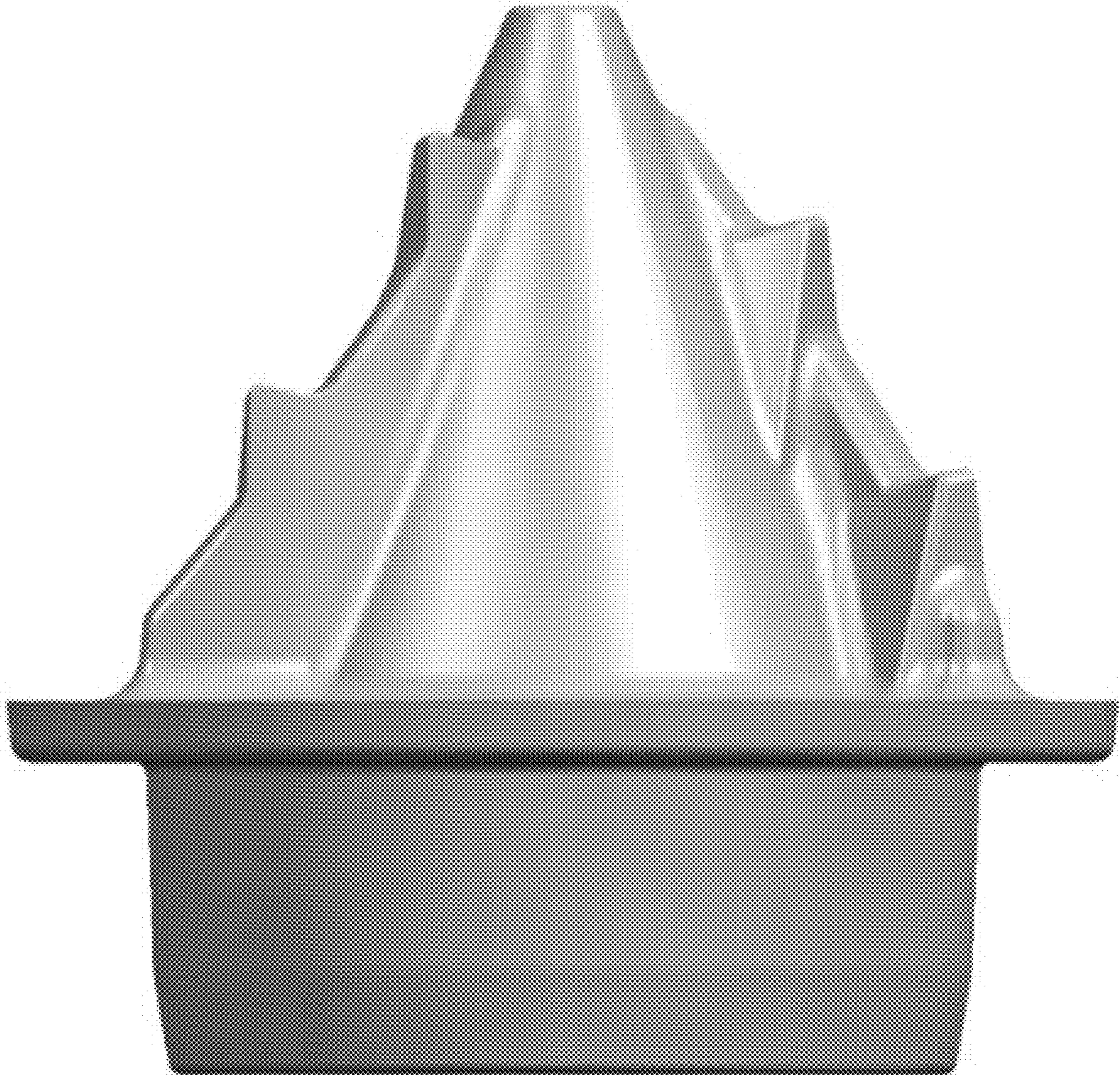
1.6



1.7



1.8



1.9

