



US00D845736S

(12) **United States Design Patent**  
**Chen**

(10) **Patent No.:** **US D845,736 S**

(45) **Date of Patent:** **\*\* Apr. 16, 2019**

(54) **HAMMERHEAD**

(71) Applicant: **Yung-Shou Chen**, Taichung (TW)

(72) Inventor: **Yung-Shou Chen**, Taichung (TW)

(\*\*) Term: **15 Years**

(21) Appl. No.: **29/612,869**

(22) Filed: **Aug. 4, 2017**

(51) **LOC (11) Cl.** ..... **08-02**

(52) **U.S. Cl.**  
USPC ..... **D8/78**

(58) **Field of Classification Search**  
USPC .... D8/75, 76, 77, 78, 79, 80, 81, 88, 89, 14  
CPC . B25D 1/00; B25D 1/04; B25D 1/045; B25D  
1/02; B25D 1/16

See application file for complete search history.

(56) **References Cited**

**U.S. PATENT DOCUMENTS**

1,114,910	A *	10/1914	Reed	.....	B25D 1/04 254/26 R
1,660,237	A *	2/1928	Small	.....	B25D 1/04 254/26 R
4,561,635	A *	12/1985	Lamansky	.....	B25D 1/04 254/26 R
5,002,257	A *	3/1991	Evans	.....	B25D 1/04 254/26 R
6,460,210	B1 *	10/2002	Alpert	.....	B25C 11/00 7/144
6,923,432	B1 *	8/2005	Martinez	.....	B25D 1/045 254/25

D748,447	S *	2/2016	Hung	.....	D8/75
D777,549	S *	1/2017	Hung	.....	D8/78
2010/0038609	A1 *	2/2010	Chen	.....	B25D 1/04 254/26 R
2014/0083254	A1 *	3/2014	Chang	.....	B25D 1/12 81/22

\* cited by examiner

*Primary Examiner* — Philip S Hyder

(74) *Attorney, Agent, or Firm* — Pai Patent & Trademark Law Firm; Chao-Chang David Pai

(57) **CLAIM**

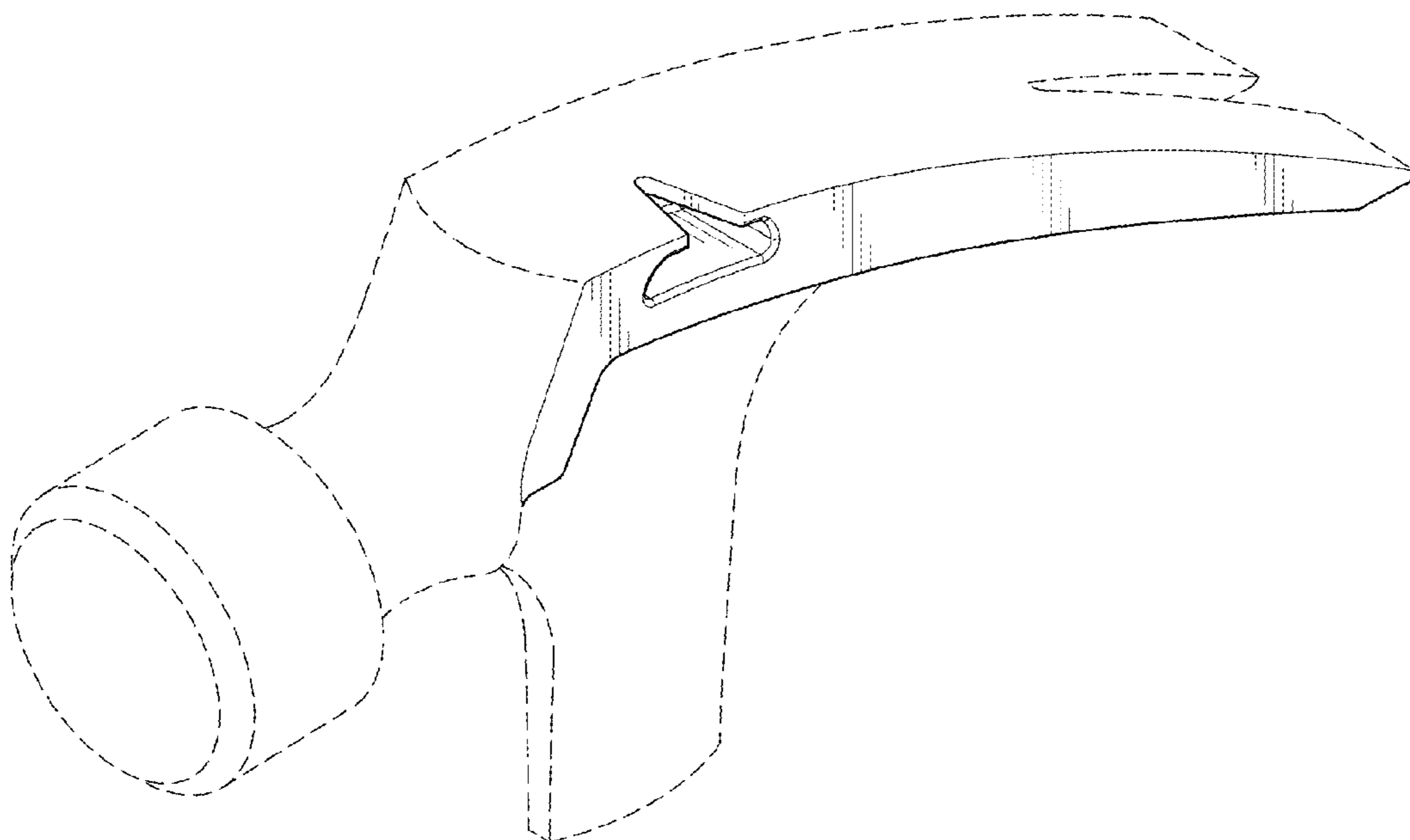
The ornamental design for a hammerhead, as shown and described.

**DESCRIPTION**

FIG. 1 is a front top perspective view of a hammerhead, showing my new design;  
FIG. 2 is another front top perspective view thereof;  
FIG. 3 is a front elevational view thereof;  
FIG. 4 is a rear elevational view thereof;  
FIG. 5 is a left side elevational view thereof;  
FIG. 6 is a right side elevational view thereof;  
FIG. 7 is a top plan view thereof;  
FIG. 8 is a bottom plan view thereof; and,  
FIG. 9 is a front perspective view thereof.

The broken lines showing portions of the hammerhead and a hammer handle are included for environmental purposes only and form no part of the claimed design.

**1 Claim, 6 Drawing Sheets**



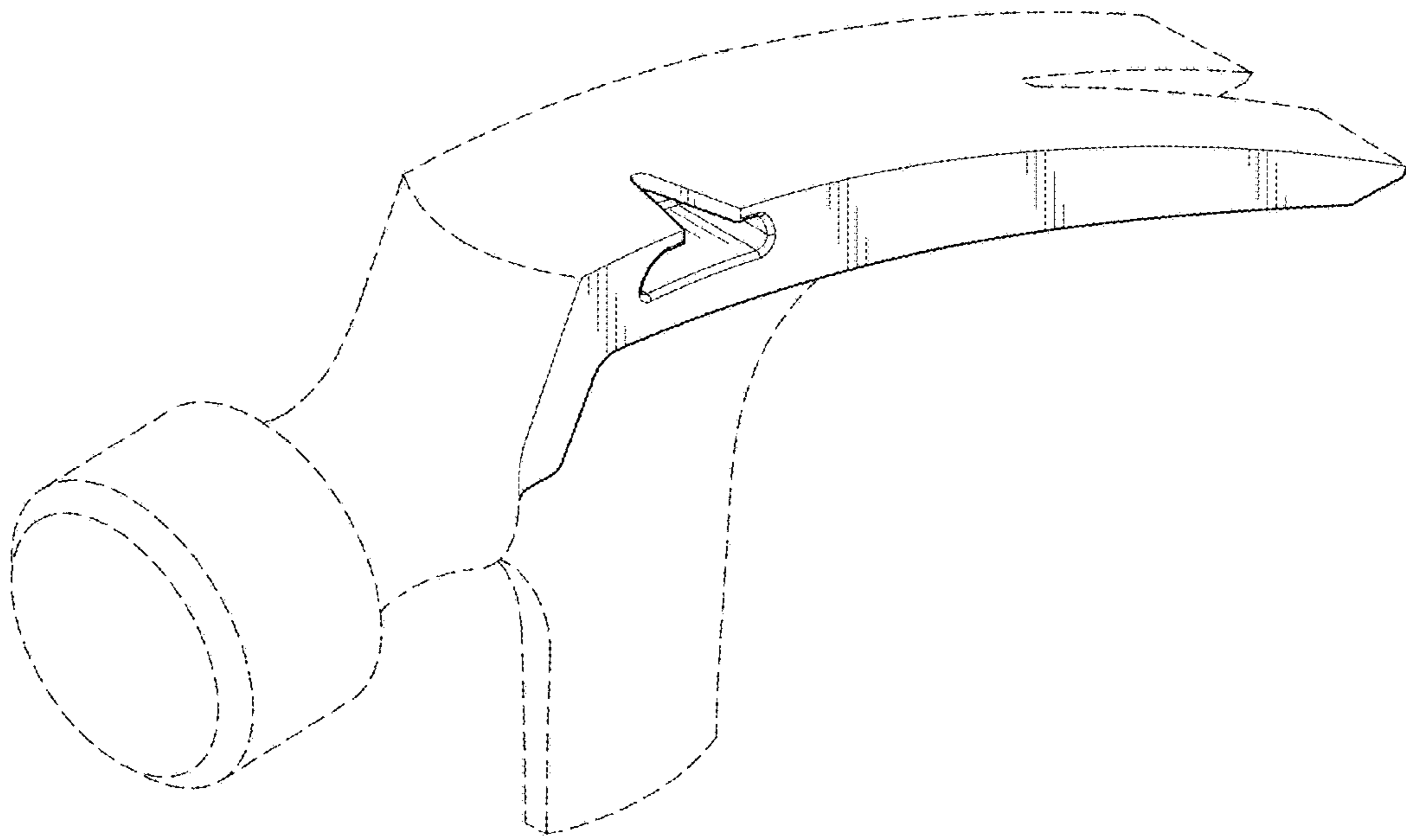


FIG. 1

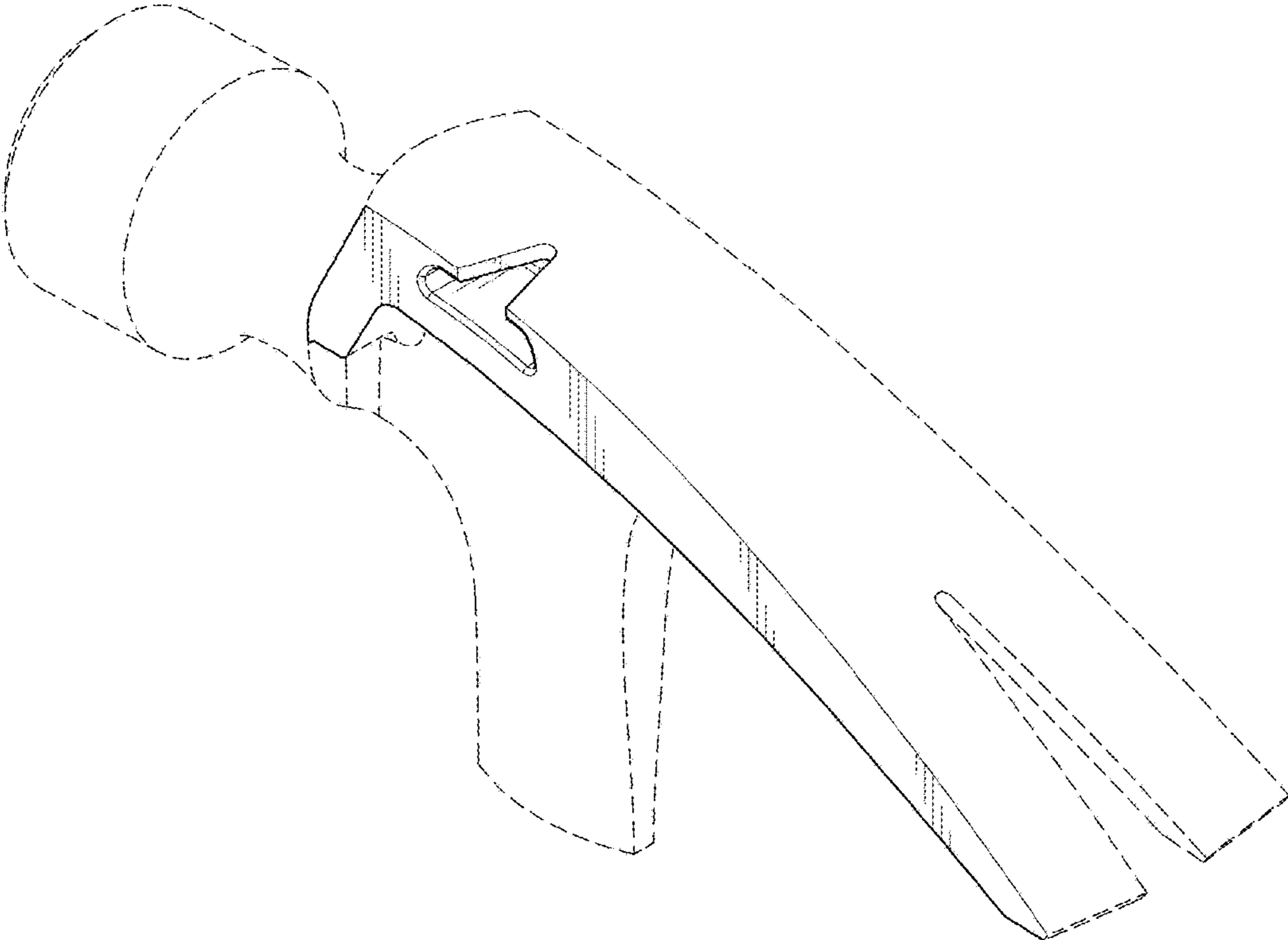


FIG. 2

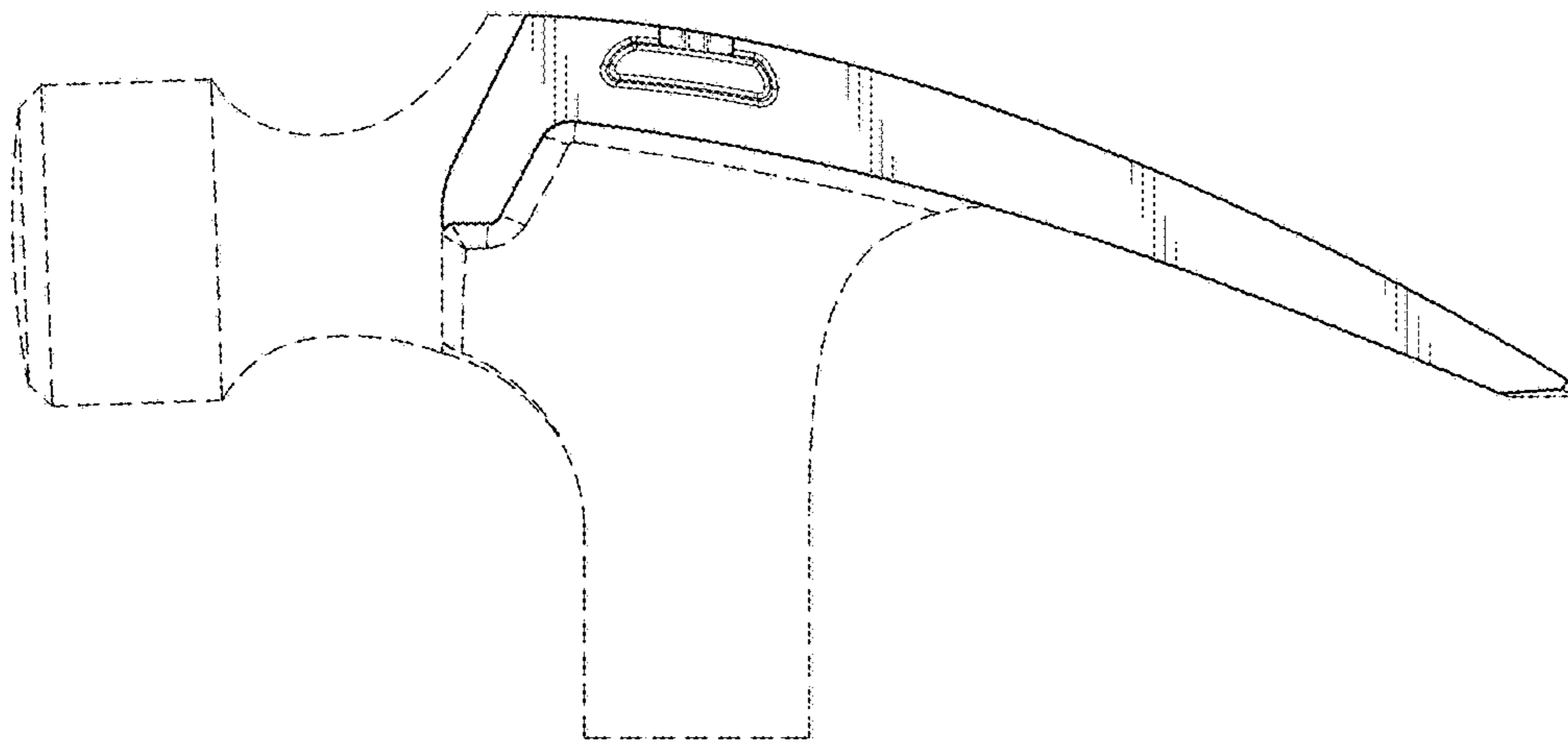


FIG. 3

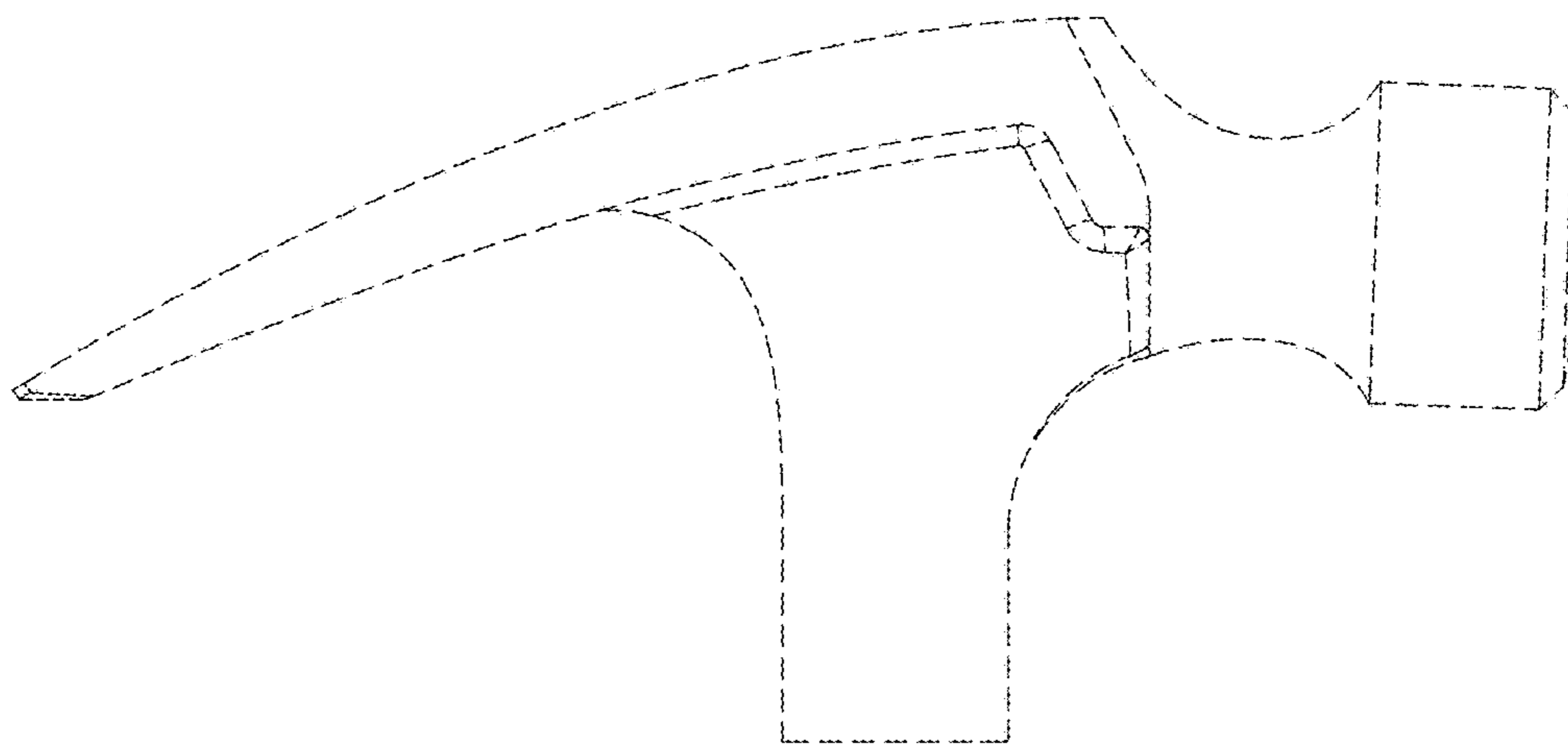


FIG. 4

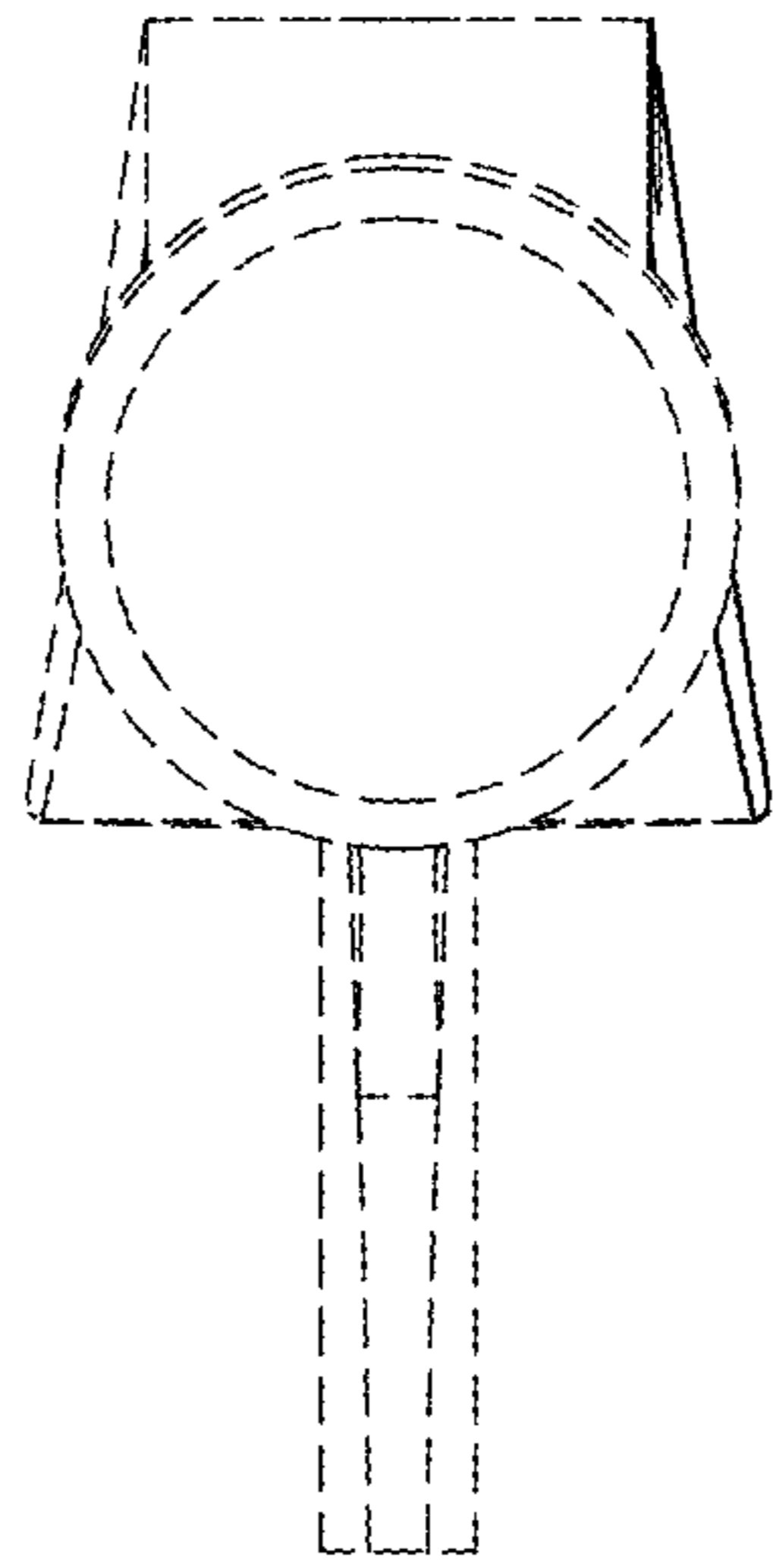


FIG. 5

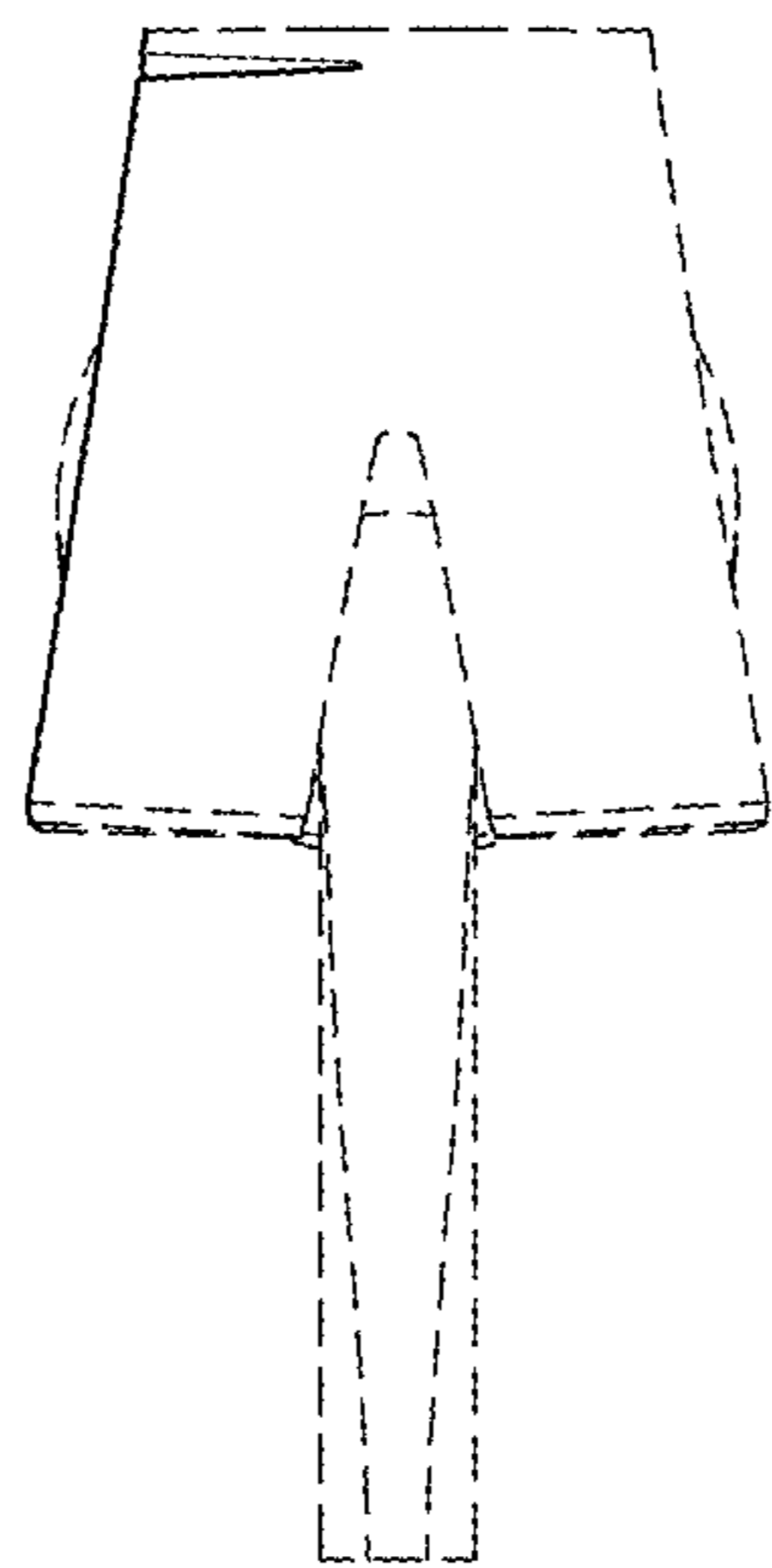


FIG. 6

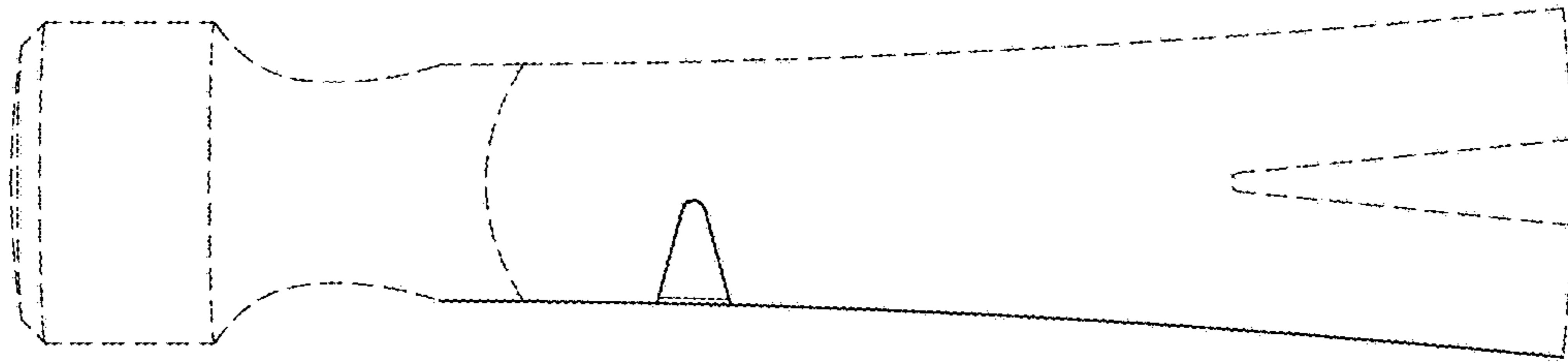


FIG. 7

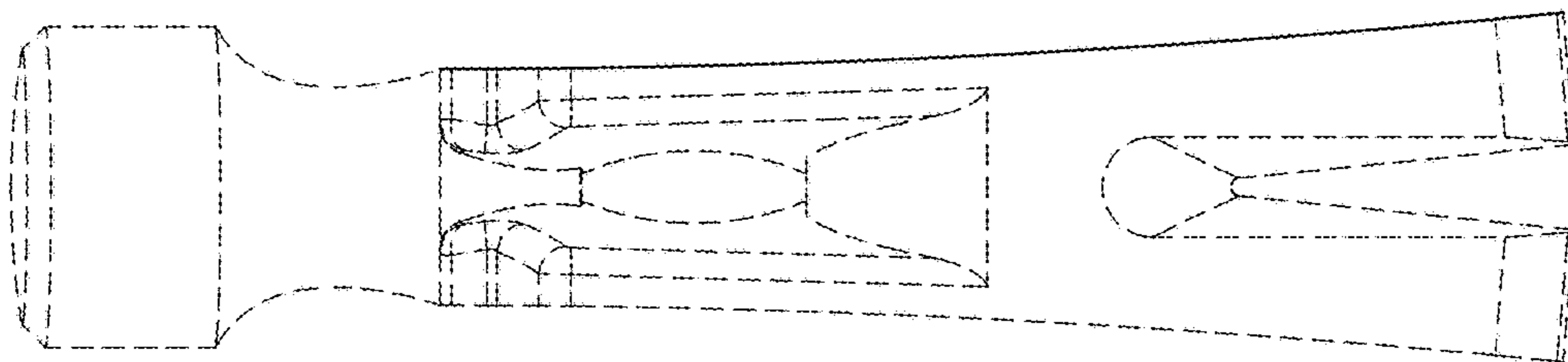


FIG. 8

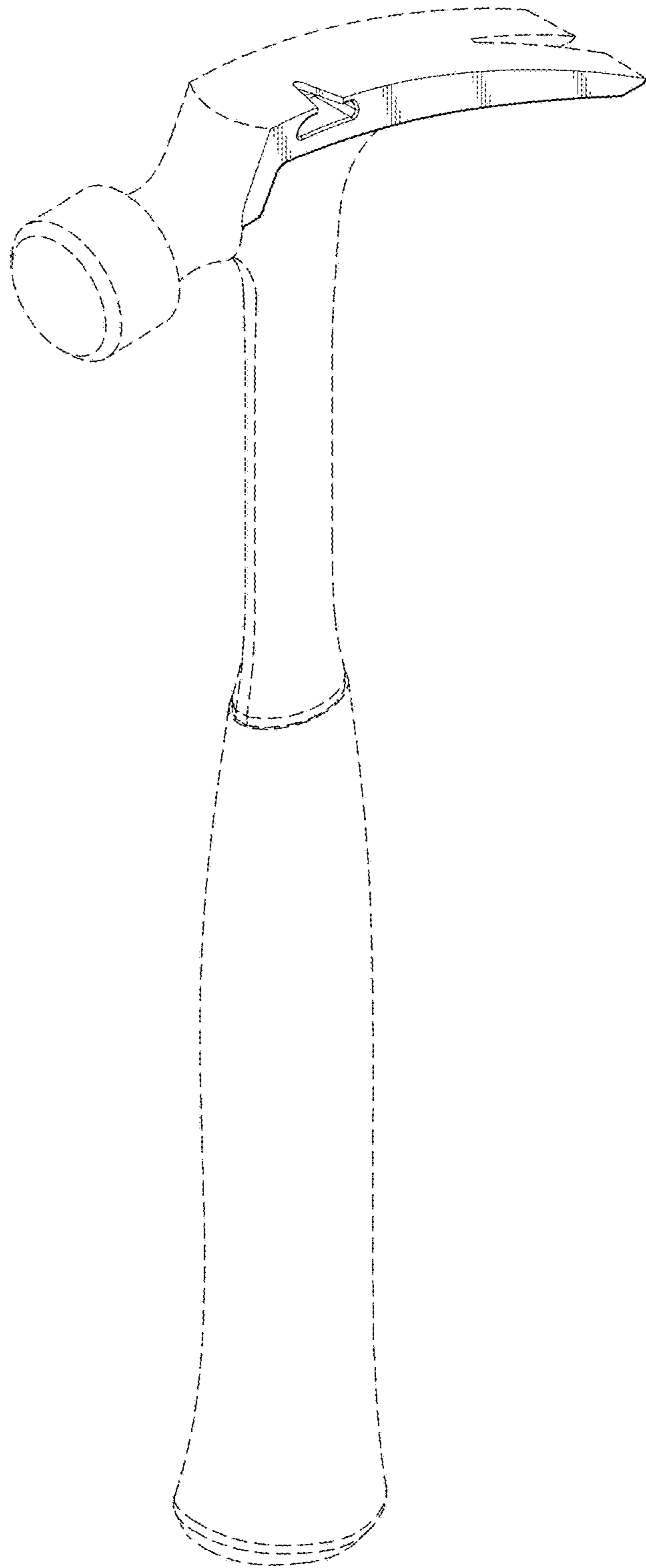


FIG. 9