



US00D845734S

(12) **United States Design Patent**
Kamijo

(10) **Patent No.:** **US D845,734 S**
(45) **Date of Patent:** **** Apr. 16, 2019**

(54) **PORTABLE BATTERY OPERATED OIL HYDRAULIC TOOL**

(71) Applicant: **Izumi Products Company,**
Matsumoto-shi, Nagano (JP)

(72) Inventor: **Keiichiro Kamijo,** Matsumoto (JP)

(73) Assignee: **IZUMI PRODUCTS COMPANY,**
Matsumoto-Shi, Nagano (JP)

7,578,159	B2 *	8/2009	Bowles	B21D 39/048
					72/409.01
7,634,859	B2 *	12/2009	Amherd	B23D 23/00
					30/228
7,908,963	B2 *	3/2011	Frenken	B25B 27/10
					100/269.01
8,056,473	B2 *	11/2011	Frenken	B21D 39/048
					100/35
D668,922	S *	10/2012	Hyma	D8/61
8,316,685	B2 *	11/2012	Stucki	B25B 27/10
					72/407

(Continued)

(**) Term: **15 Years**

Primary Examiner — Darlington Ly

(21) Appl. No.: **29/619,485**

(74) *Attorney, Agent, or Firm* — Birch, Stewart, Kolasch & Birch, LLP

(22) Filed: **Sep. 29, 2017**

(51) **LOC (11) Cl.** **08-05**

(52) **U.S. Cl.**
USPC **D8/68; D8/61**

(58) **Field of Classification Search**
USPC D8/7, 21, 24, 25, 29, 36, 40, 60, 61, 68,
D8/70, 85; D21/532

CPC B25B 27/10; B25B 27/026; B25B 27/146;
B21D 37/10; B21D 39/048; B23D 29/00

See application file for complete search history.

(57) **CLAIM**

The ornamental design for a portable battery operated oil hydraulic tool, as shown and described.

DESCRIPTION

FIG. 1 is a front elevational view of a portable battery operated oil hydraulic tool showing my new design;

FIG. 2 is a top plan view thereof;

FIG. 3 is a rear elevational view thereof;

FIG. 4 is a bottom plan view thereof;

FIG. 5 is a right side elevational view thereof;

FIG. 6 is a left side elevational view thereof;

FIG. 7 is a rear and top perspective view, showing the right side thereof;

FIG. 8 is a rear and top perspective view, showing the left side thereof;

FIG. 9 is a rear and bottom perspective view, showing the right side thereof; and,

FIG. 10 is a rear and bottom perspective view, showing the left side thereof.

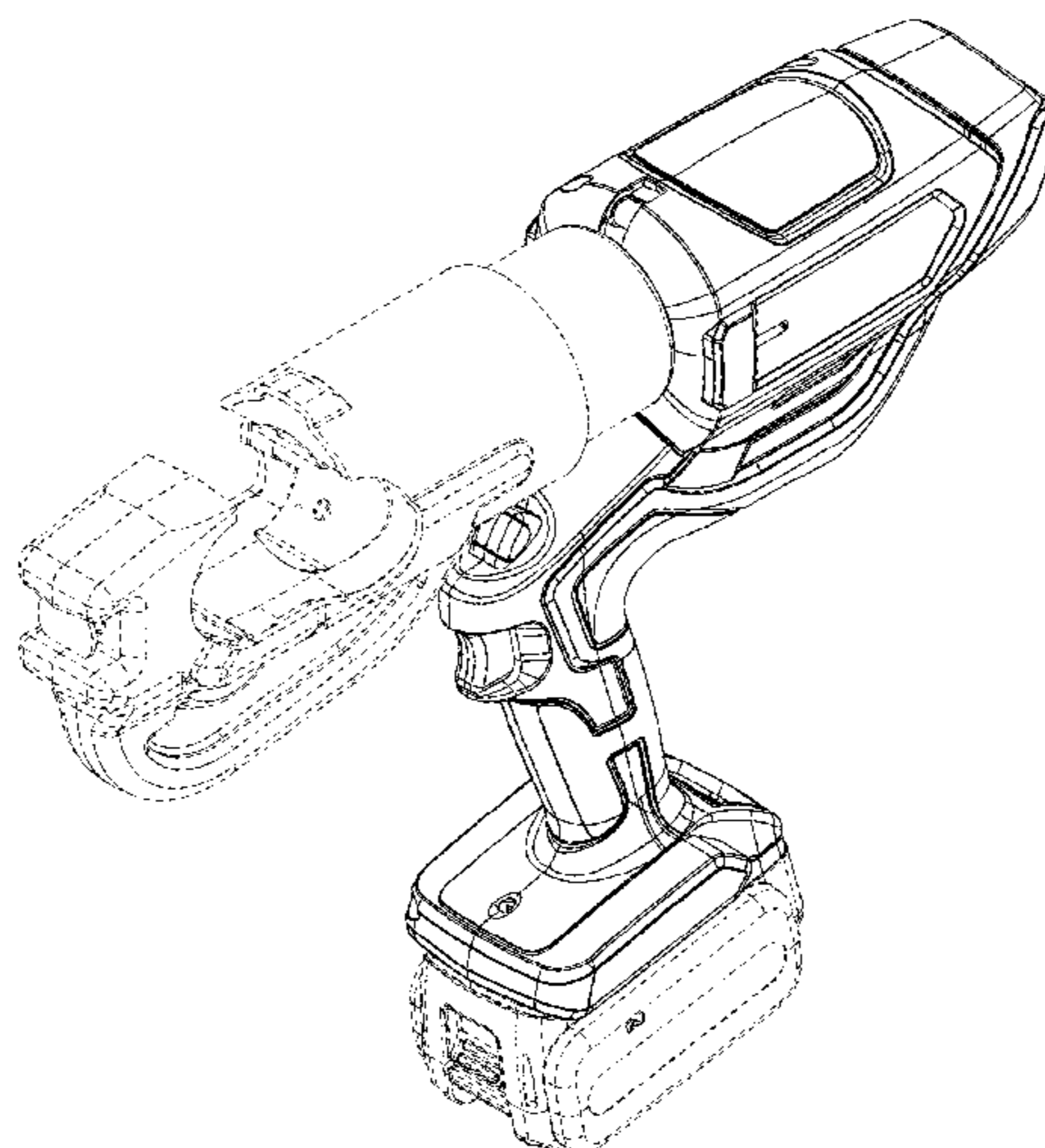
The broken lines in the drawings illustrate environmental structure of the portable battery operated oil hydraulic tool that form no part of the claimed design.

(56) **References Cited**

U.S. PATENT DOCUMENTS

3,386,298	A *	6/1968	Klingler	B30B 15/00
					173/170
3,492,854	A *	2/1970	Eppler	H01R 43/042
					140/113
D356,478	S *	3/1995	Heskey	D8/61
D387,961	S *	12/1997	Yasui	D8/68
D404,627	S *	1/1999	Hirabayashi	D8/68
D408,242	S *	4/1999	Yamamoto	D8/61
6,718,870	B1 *	4/2004	Frenken	B25B 27/10
					100/102
7,363,799	B2 *	4/2008	Hamm	B25B 25/005
					72/452.8
D593,828	S *	6/2009	Pond	D8/61

1 Claim, 5 Drawing Sheets



(56)

References Cited

U.S. PATENT DOCUMENTS

8,342,001 B2 * 1/2013 Zhang B23D 29/00
29/751
D709,748 S * 7/2014 Frenken D8/61
D710,173 S * 8/2014 Frenken D8/61
8,997,543 B2 * 4/2015 Therrien B21D 37/10
72/414
D767,959 S * 10/2016 Sokat D8/61
D767,960 S * 10/2016 Haneishi D8/61
9,484,700 B2 * 11/2016 Kehoe H01R 43/0427
D774,858 S * 12/2016 Stucki D8/61
D805,365 S * 12/2017 Ballard D8/69
2008/0289394 A1 * 11/2008 Mitchell B21D 39/048
72/409.1
2009/0313820 A1 * 12/2009 Roman, Jr. B25B 27/10
29/863

* cited by examiner

FIG. 1

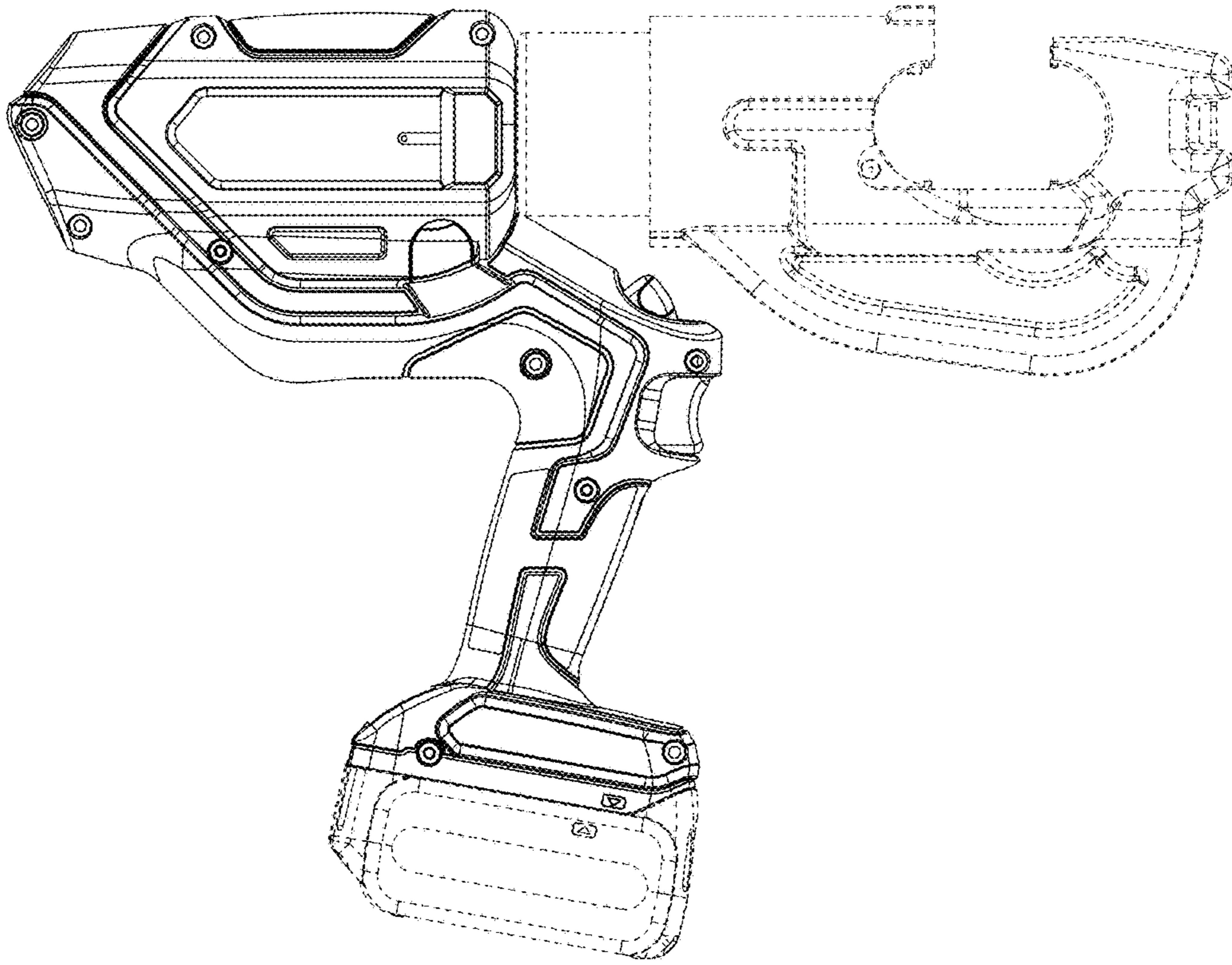


FIG. 2

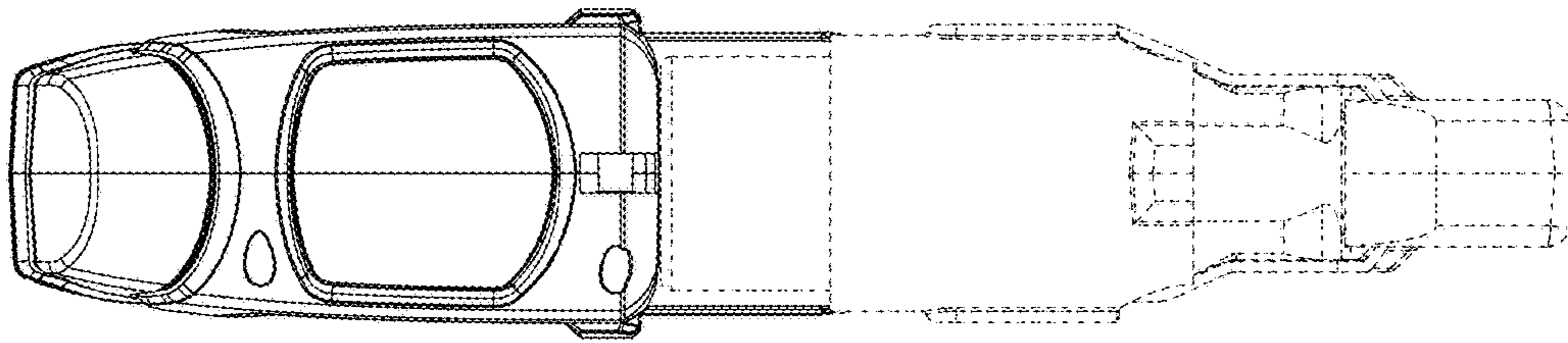


FIG. 3

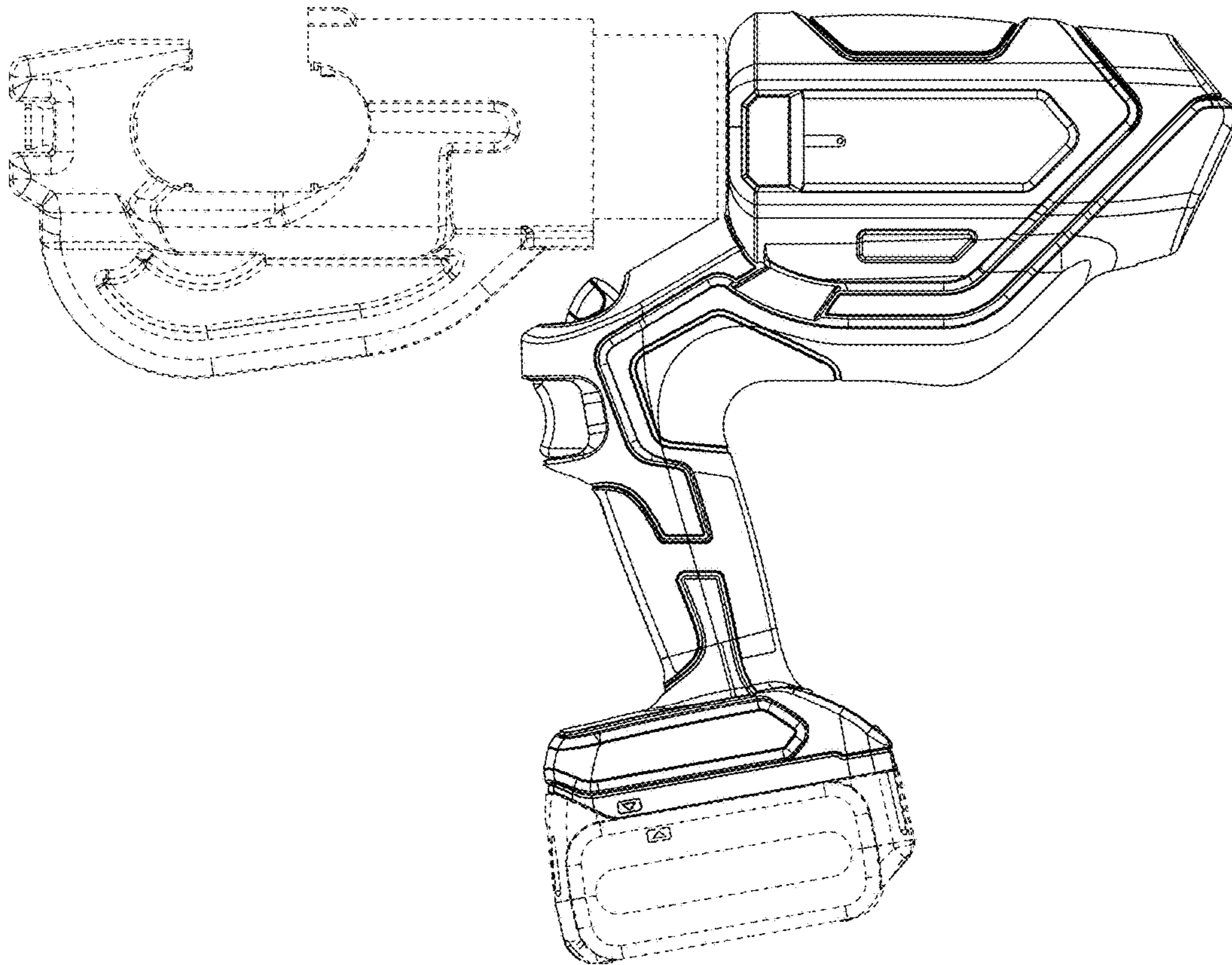


FIG. 4

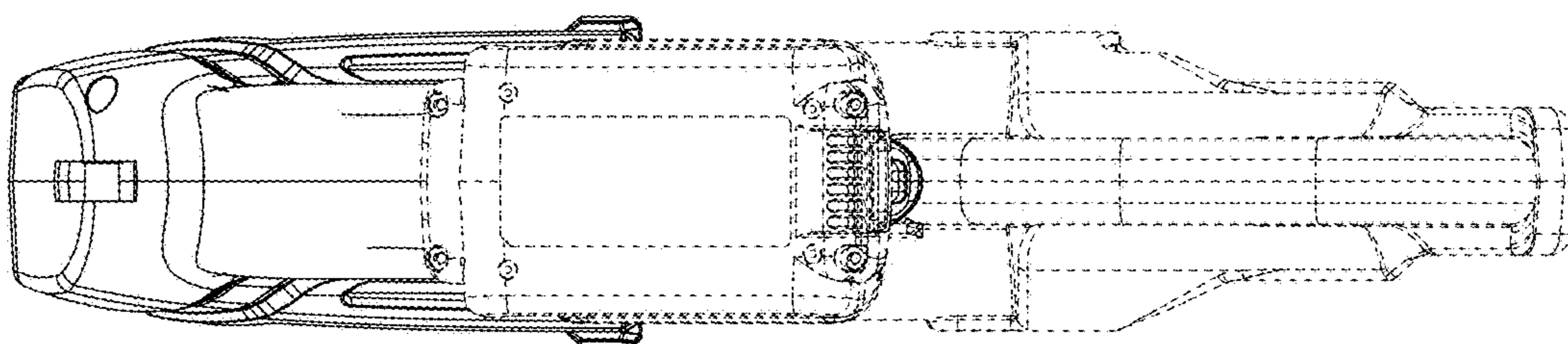


FIG. 5

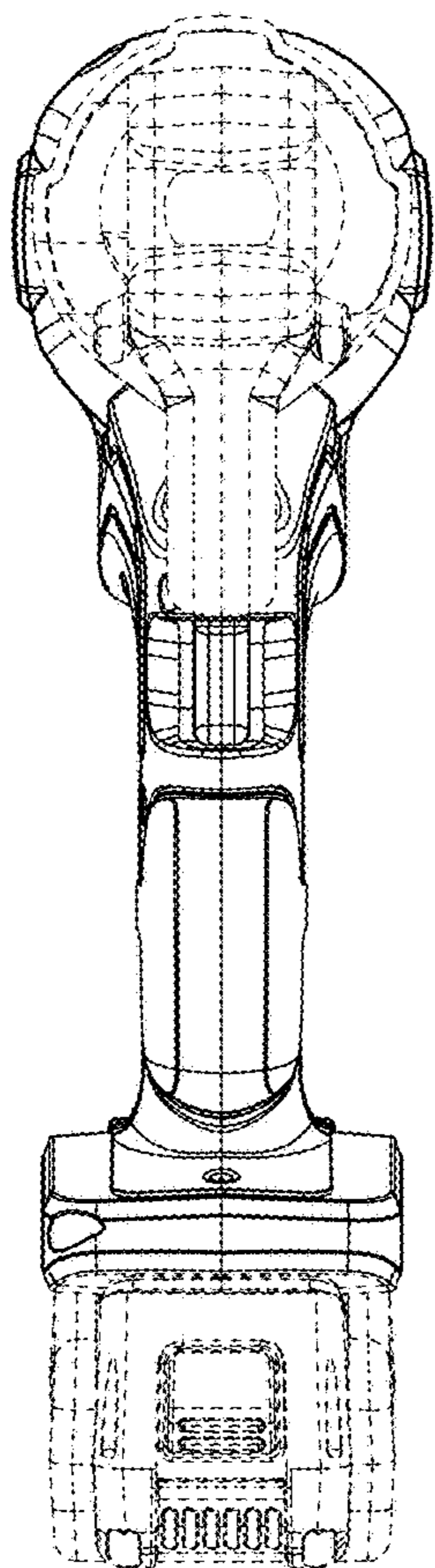


FIG. 6

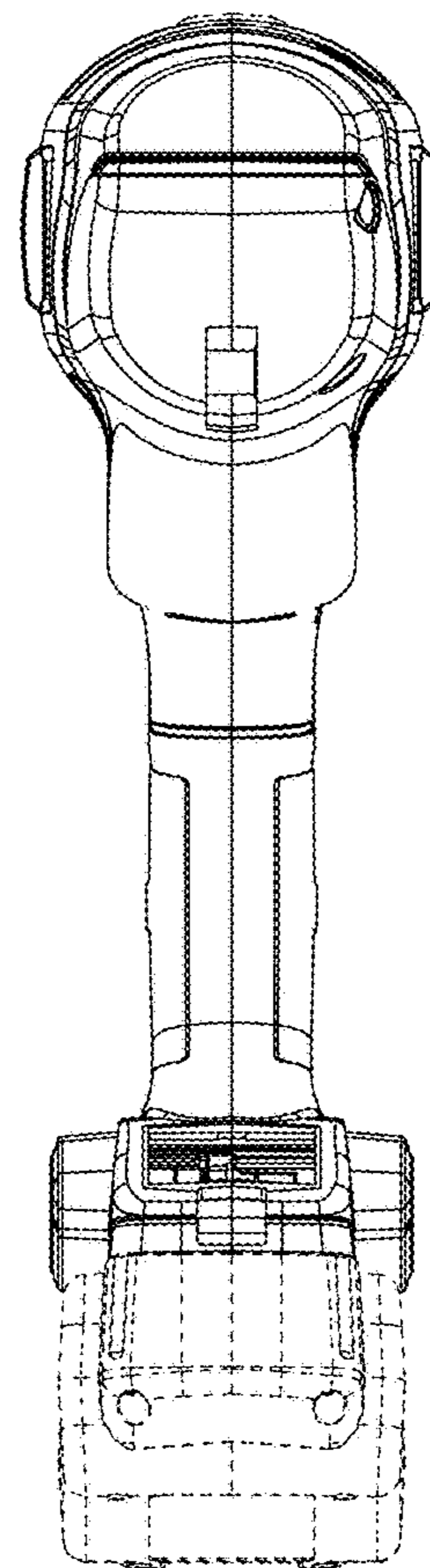


FIG. 7

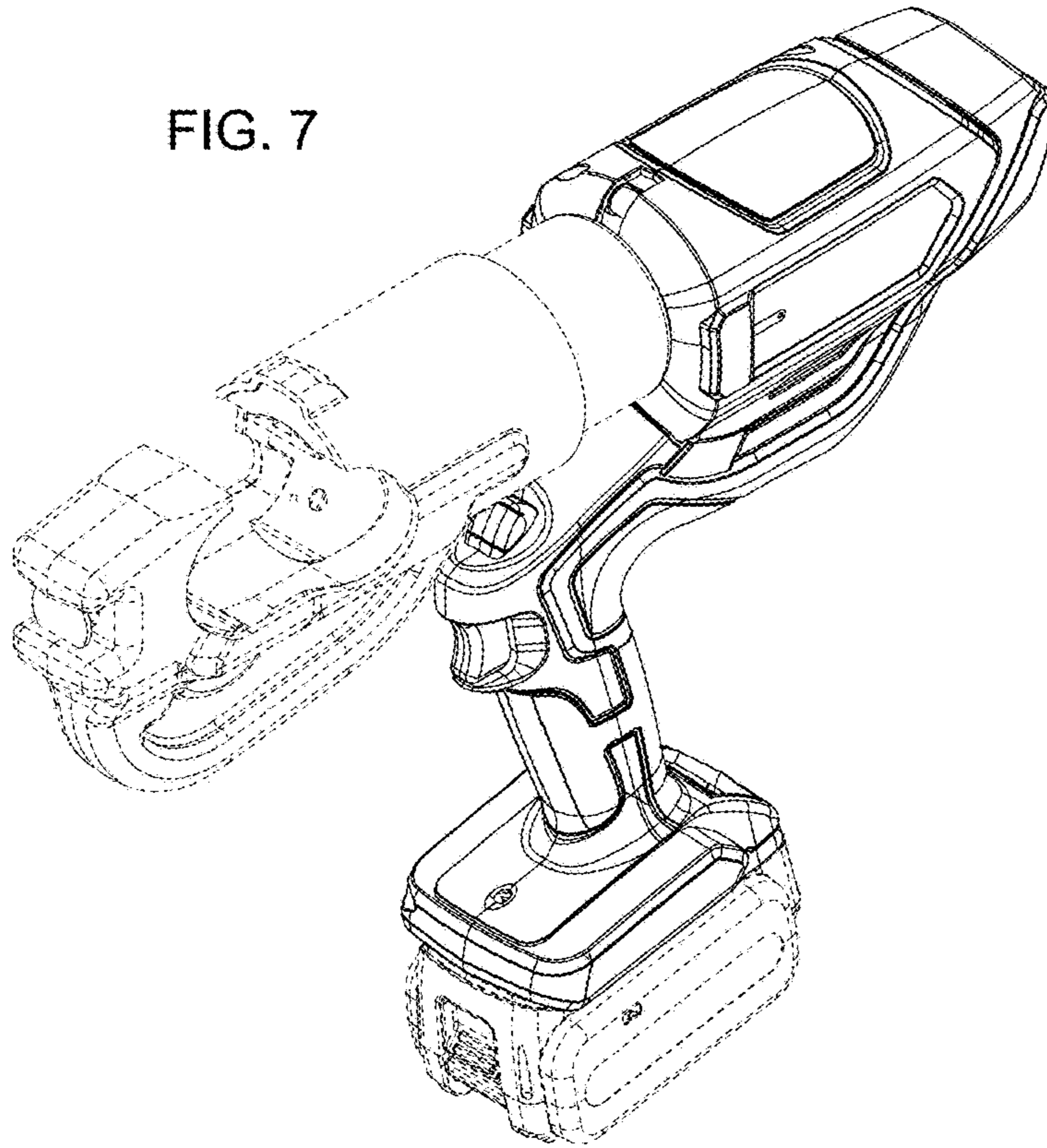


FIG. 8

