



US00D845730S

(12) **United States Design Patent**
Takahashi et al.

(10) **Patent No.:** **US D845,730 S**

(45) **Date of Patent:** **** Apr. 16, 2019**

(54) **PORTABLE ELECTRIC SAW**

(71) Applicant: **MAKITA CORPORATION**, Anjo-shi,
Aichi (JP)

(72) Inventors: **Koji Takahashi**, Anjo (JP); **Tomohiro Ukai**, Anjo (JP)

(73) Assignee: **MAKITA CORPORATION**, Anjo-Shi (JP)

(**) Term: **15 Years**

(21) Appl. No.: **29/625,525**

(22) Filed: **Nov. 10, 2017**

(30) **Foreign Application Priority Data**

May 12, 2017 (JP) 2017-010153

(51) **LOC (11) Cl.** **08-03**

(52) **U.S. Cl.**
USPC **D8/64**

(58) **Field of Classification Search**
USPC D8/69, 68, 67, 66, 65, 64, 62, 61; 30/92,
30/394, 393, 392, 377, 376, 371; 74/50,
74/49; 173/217, 216; 83/699.21;
446/145
CPC B26B 7/00; B23D 51/16; B23D 51/10;
B25F 5/02; B62B 7/00
See application file for complete search history.

(56) **References Cited**

U.S. PATENT DOCUMENTS

D551,045 S	9/2007	Kokawa	
D596,005 S *	7/2009	Schoch	D8/64
D674,263 S *	1/2013	Aglassinger	D8/64
D688,928 S *	9/2013	Busschaert	D8/64
D688,929 S *	9/2013	Busschaert	D8/64
D705,028 S *	5/2014	Vitantonio	D8/64
D705,627 S *	5/2014	Schoch	D8/64

D752,406 S *	3/2016	Kanda	D8/64
D790,300 S *	6/2017	Waldron	D8/64
D790,939 S *	7/2017	Elder	D8/64
D816,452 S *	5/2018	Hasenmayer	D8/64
D830,146 S *	10/2018	Croghan	D8/64

* cited by examiner

Primary Examiner — Austin Murphy

(74) *Attorney, Agent, or Firm* — Global IP Counselors, LLP

(57) **CLAIM**

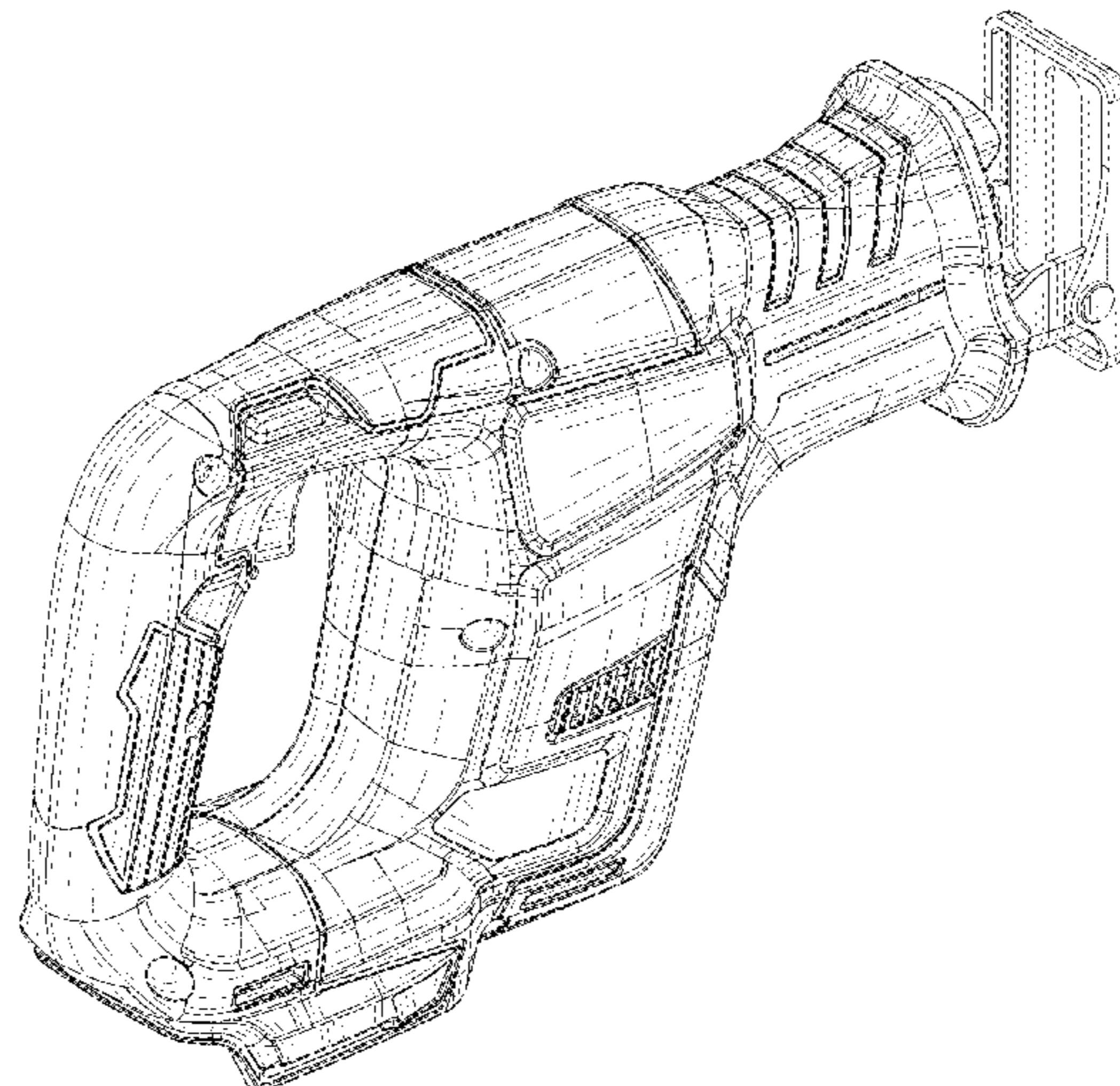
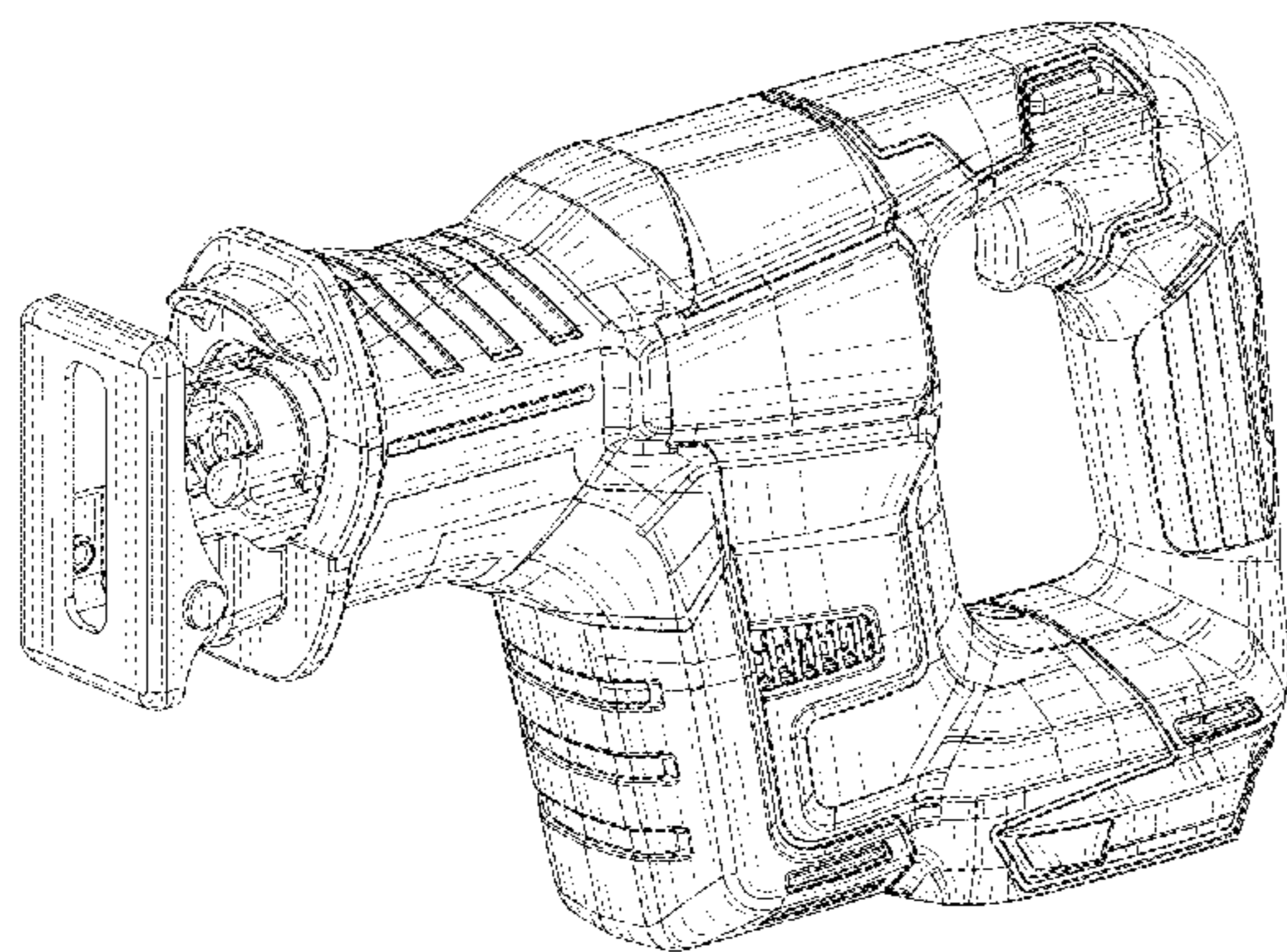
The ornamental design for a portable electric saw, as shown and described.

DESCRIPTION

FIG. 1 is a front perspective view of a portable electric saw in accordance with our new design;
 FIG. 2 is a rear perspective view of the portable electric saw in accordance with our new design;
 FIG. 3 is a front elevational view of the portable electric saw in accordance with our new design;
 FIG. 4 is a rear elevational view of the portable electric saw in accordance with our new design;
 FIG. 5 is a top plan view of the portable electric saw in accordance with our new design;
 FIG. 6 is a bottom plan view of the portable electric saw in accordance with our new design;
 FIG. 7 is a right side elevational view of the portable electric saw in accordance with our new design;
 FIG. 8 is a left side elevational view of the portable electric saw in accordance with our new design; and,
 FIG. 9 is a front perspective view of the portable electric saw in accordance with our new design showing when a rechargeable battery and a blade are attached to the portable electric saw.

The broken line showing of environment structures in the drawings forms no part of the claimed design.

1 Claim, 9 Drawing Sheets



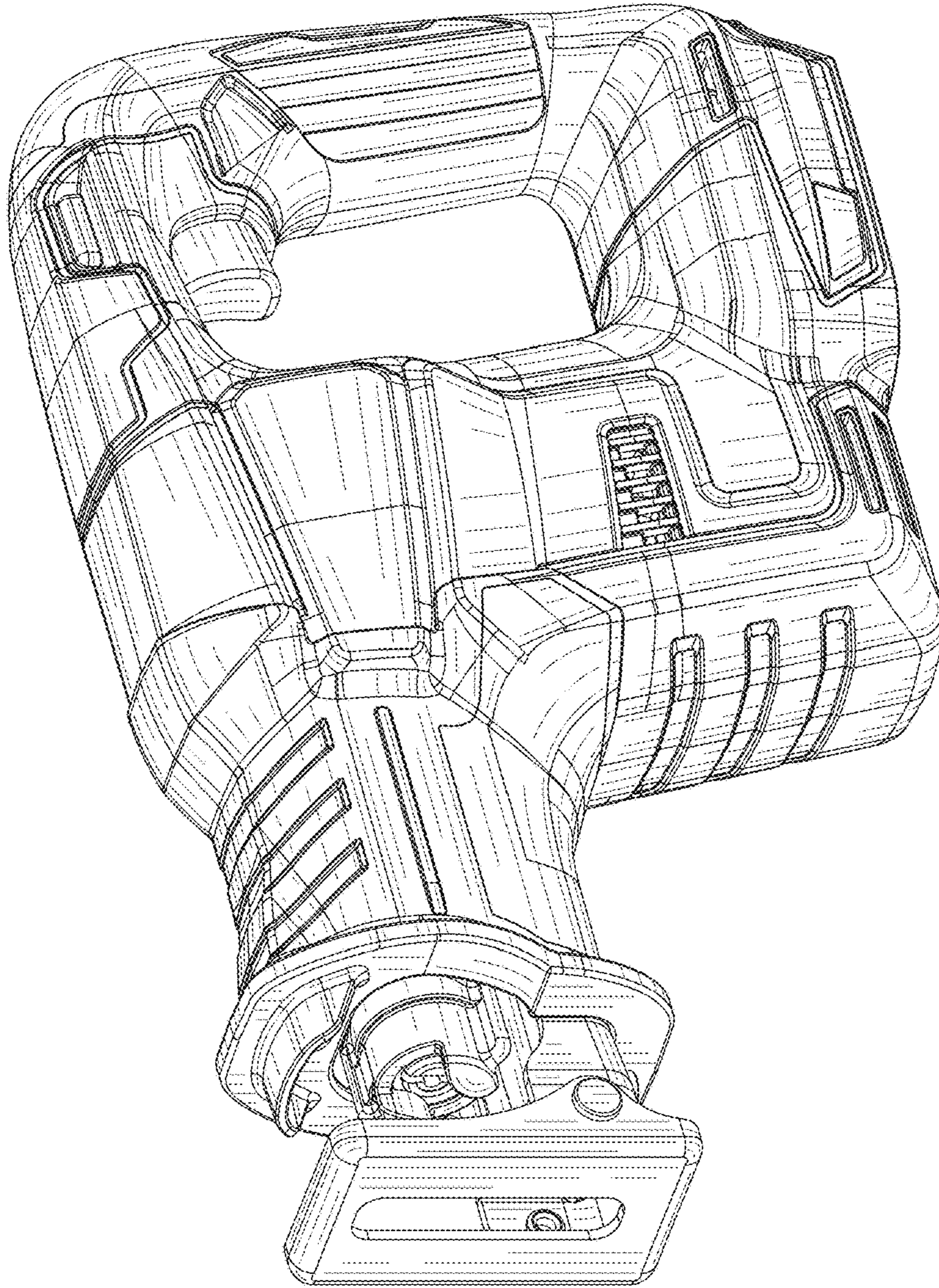


FIG. 1

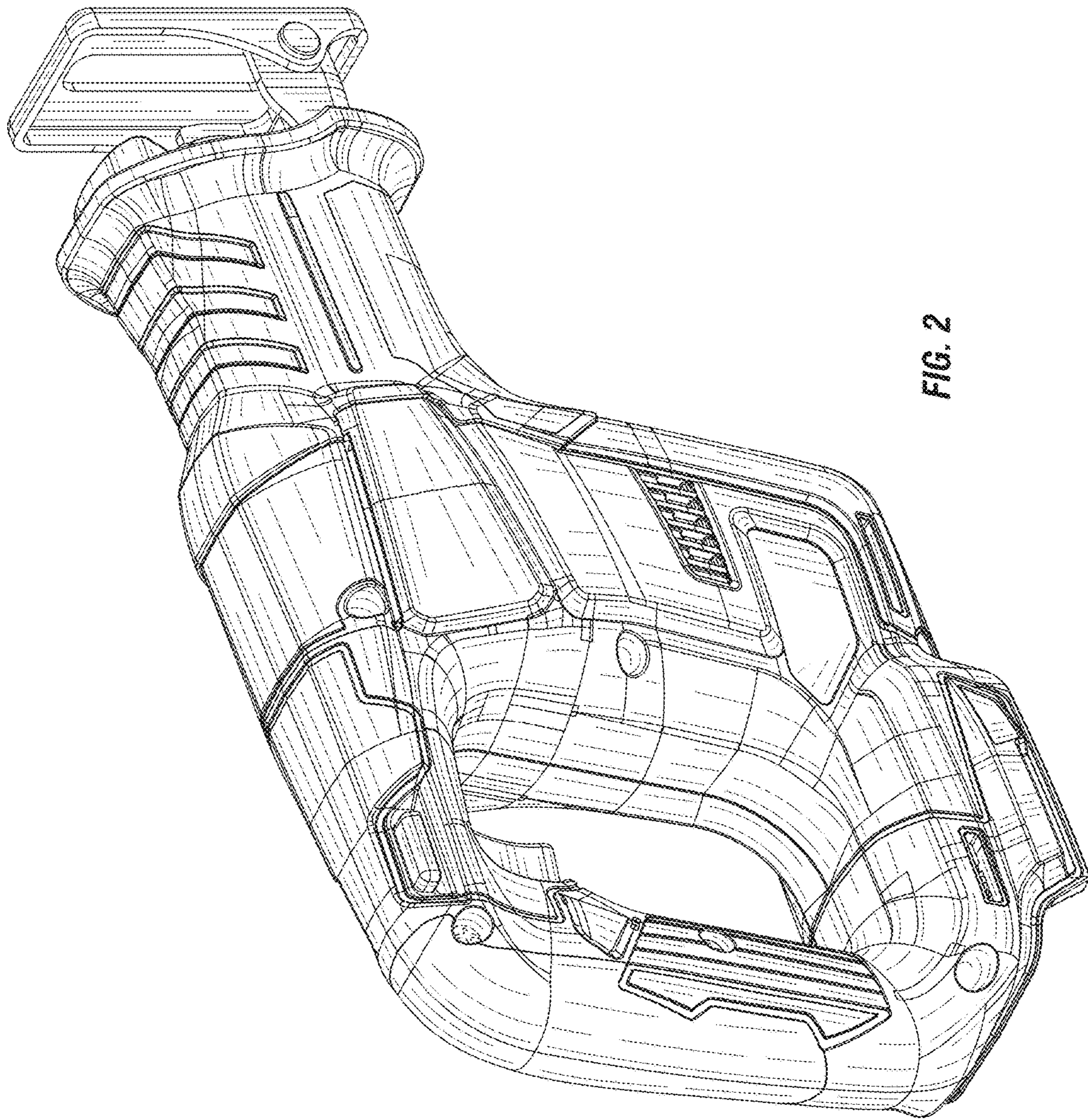


FIG. 2

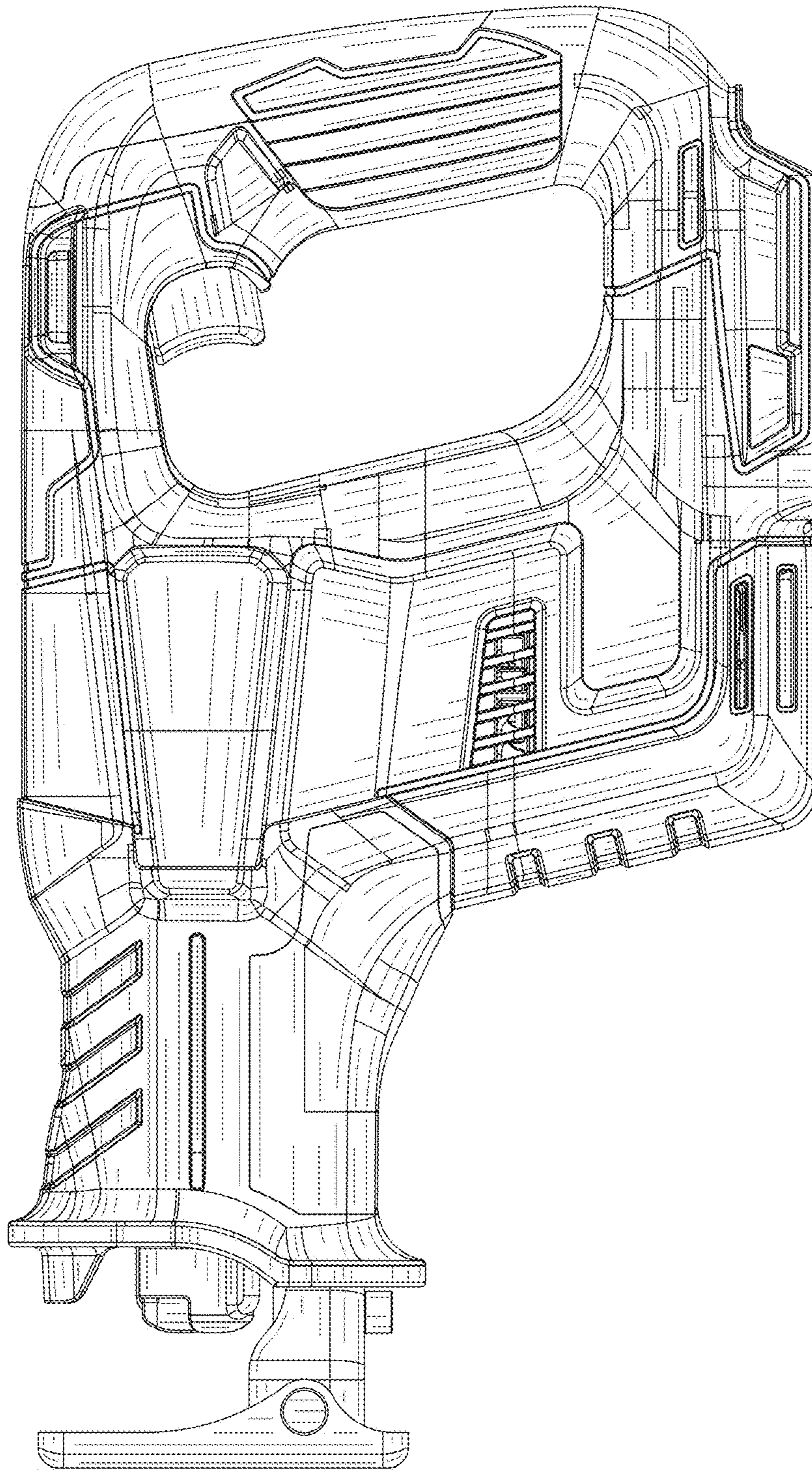


FIG. 3

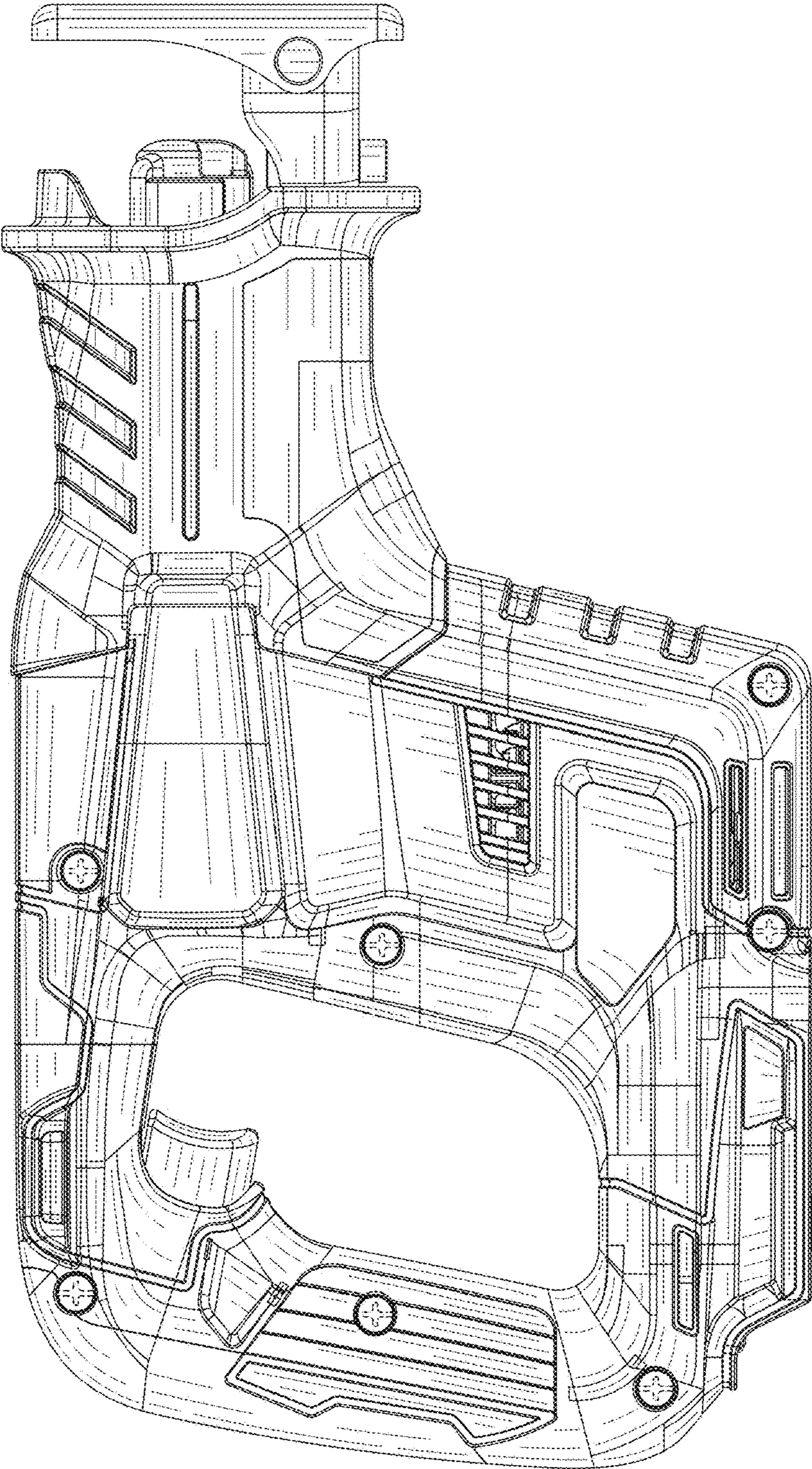


FIG. 4

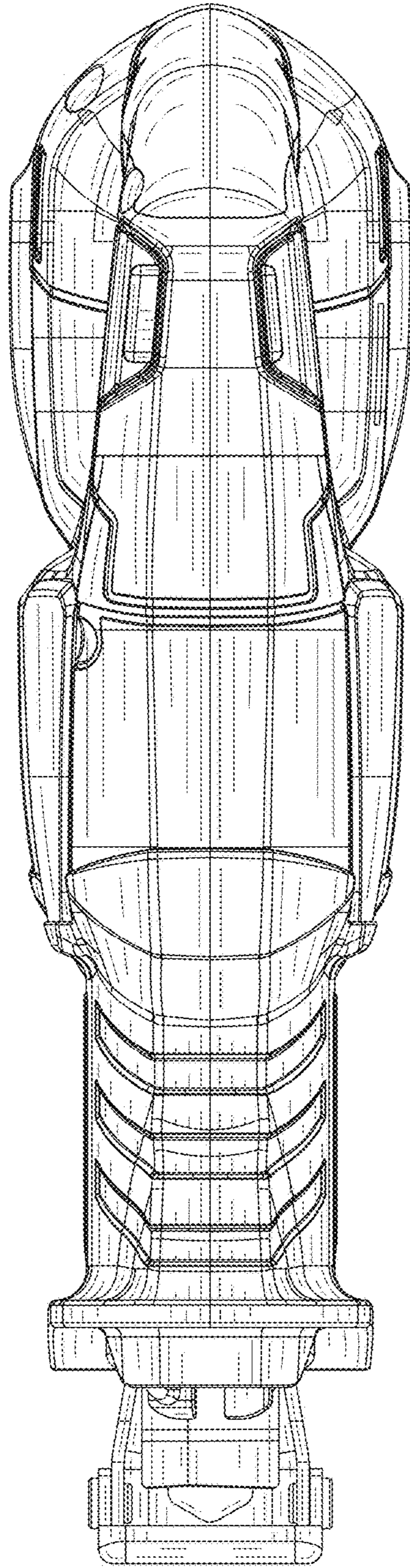


FIG. 5

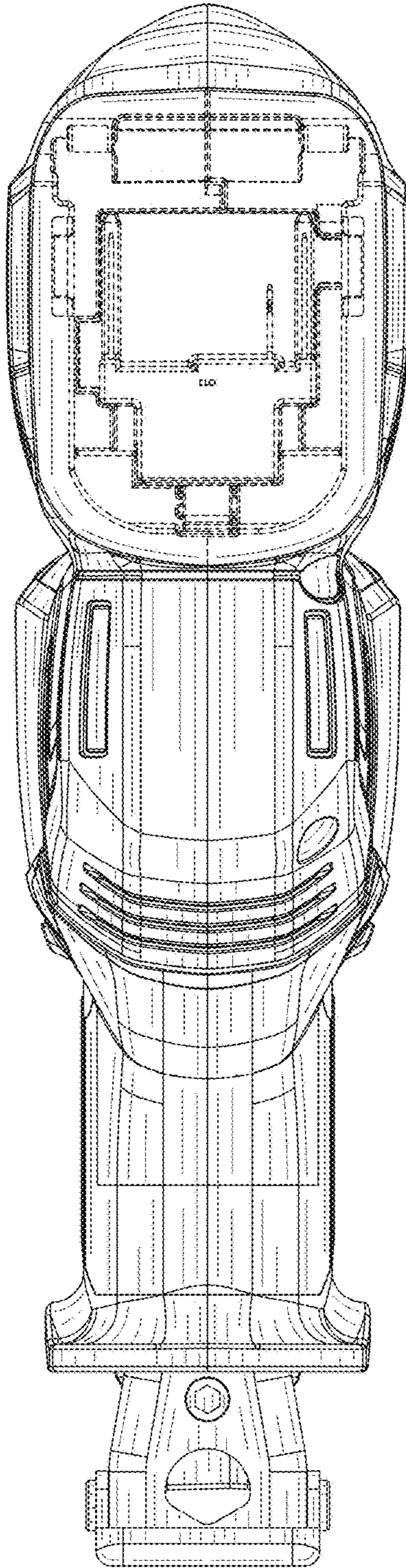


FIG. 6

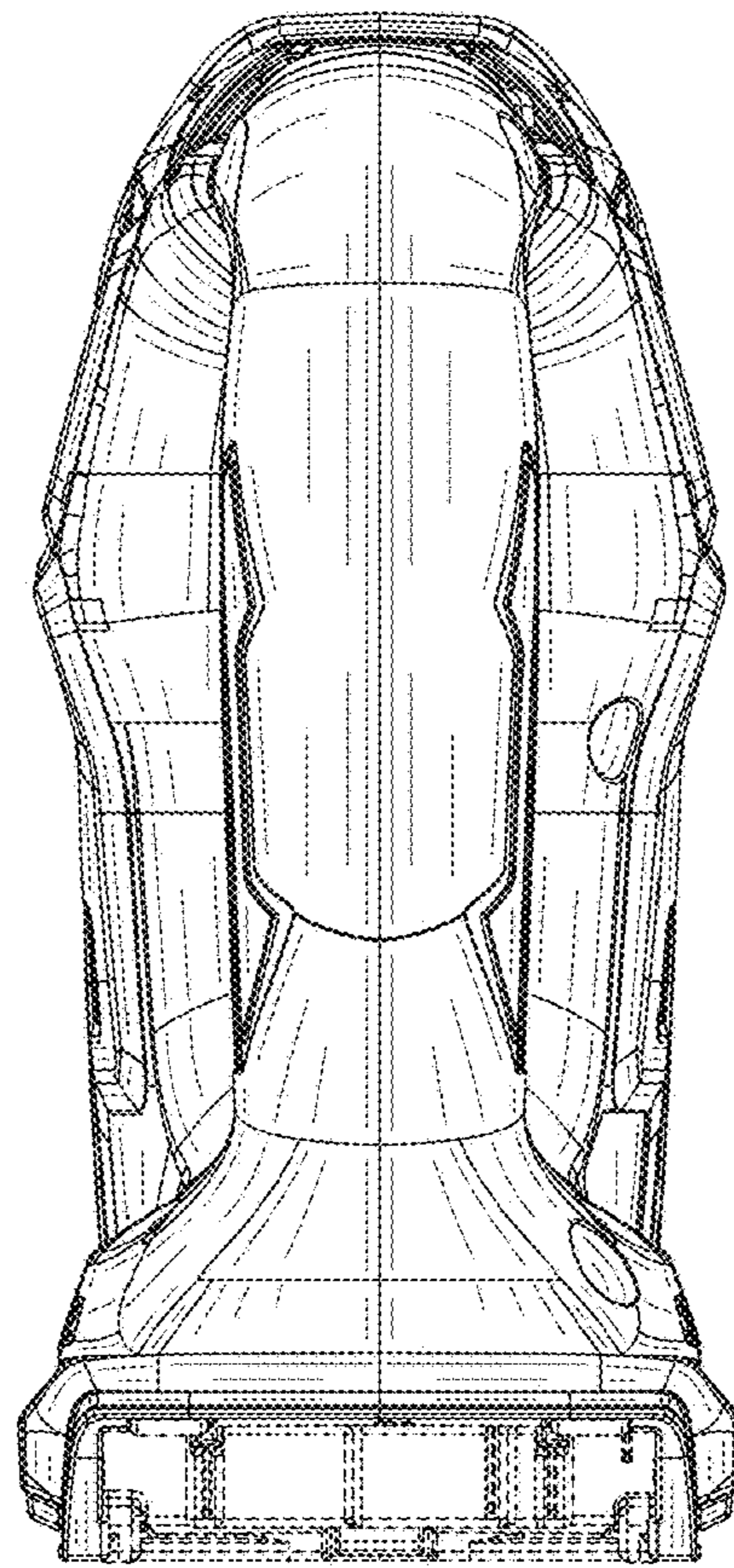


FIG. 7

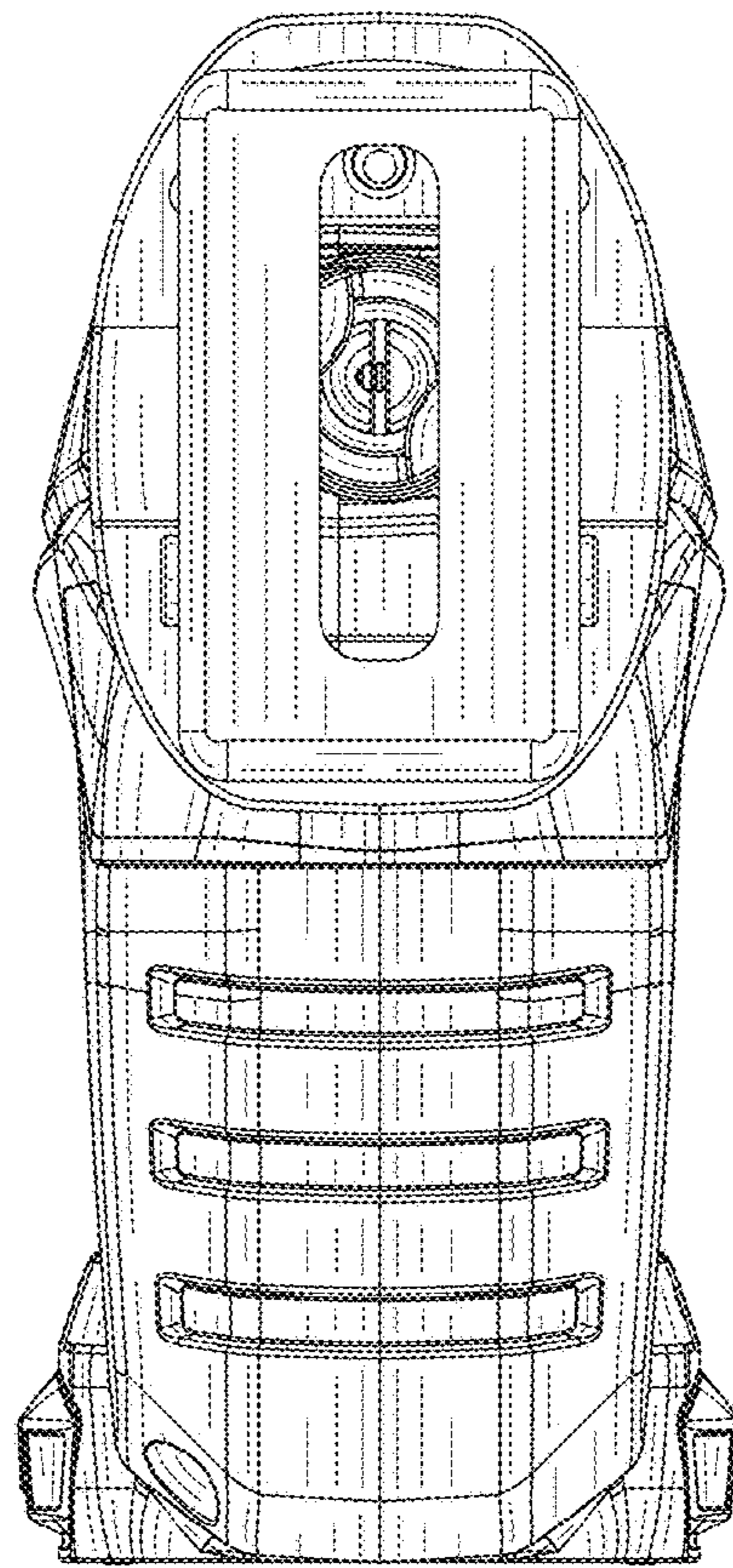


FIG. 8

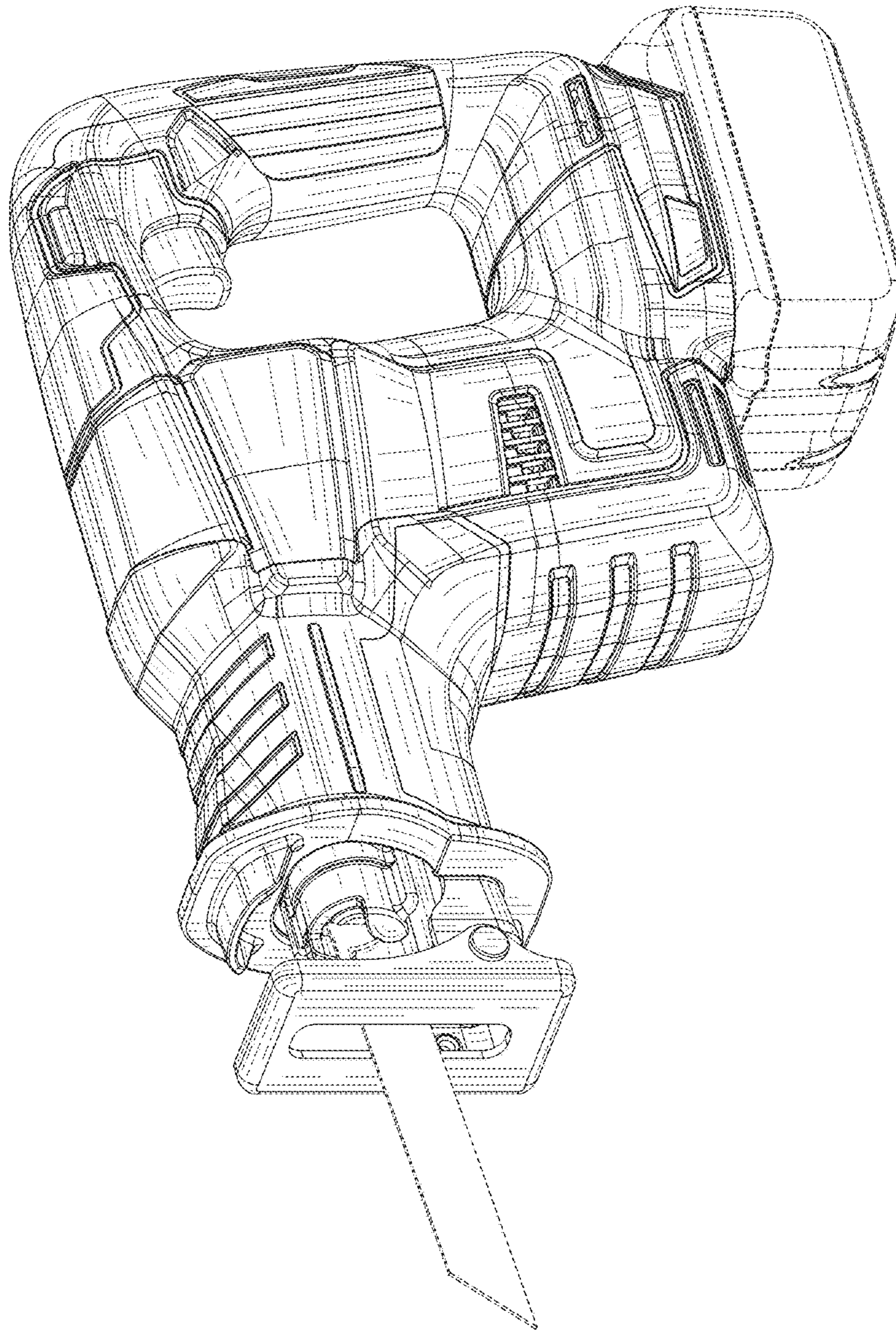


FIG. 9