



US00D845727S

(12) **United States Design Patent**
Haynes

(10) **Patent No.:** **US D845,727 S**
(45) **Date of Patent:** **** Apr. 16, 2019**

- (54) **STRAP WINDING APPARATUS**
- (71) Applicant: **Mike Haynes**, Saint George, UT (US)
- (72) Inventor: **Mike Haynes**, Saint George, UT (US)
- (**) Term: **15 Years**
- (21) Appl. No.: **29/581,268**
- (22) Filed: **Oct. 18, 2016**
- (51) **LOC (11) Cl.** **08-05**
- (52) **U.S. Cl.**
USPC **D8/44**
- (58) **Field of Classification Search**
USPC D8/359, 44, 51
CPC B60P 7/0823; B60P 7/0846; B60P 7/0853;
B60P 7/0838
See application file for complete search history.

- 7,845,621 B1 * 12/2010 Lu B66F 3/005
24/68 CD
- 7,861,382 B1 1/2011 Madachy
- 8,308,410 B2 * 11/2012 Foryan B60P 7/0853
410/103
- 8,370,997 B2 2/2013 Wright
- 9,616,801 B2 * 4/2017 Williams B60P 7/0853
- 2004/0108404 A1 * 6/2004 Wiermaa B65H 18/10
242/532.6
- 2007/0267611 A1 * 11/2007 Leone B60P 7/083
254/218

(Continued)

Primary Examiner — Philip S Hyder
(74) *Attorney, Agent, or Firm* — Zachary Renstrom

(57) **CLAIM**

The ornamental design for a strap winding apparatus, as shown and described.

DESCRIPTION

FIG. 1 is a perspective view of a strap winding apparatus showing my new design; with the handle in an open position;

FIG. 2 is a perspective view of the strap winding apparatus, with the handle in an open position, the broken line showing of the attached strap winding assembly being provided for purpose of environment and forming no part of the claimed design;

FIG. 3 is a perspective view of the opposite side of the strap winding apparatus, with the handle in a neutral position;

FIG. 4 is a side elevation view thereof, with the handle in a closed position;

FIG. 5 is a perspective view thereof, with the handle in a closed position;

FIG. 6 is a front view thereof, with the handle in an open position; and,

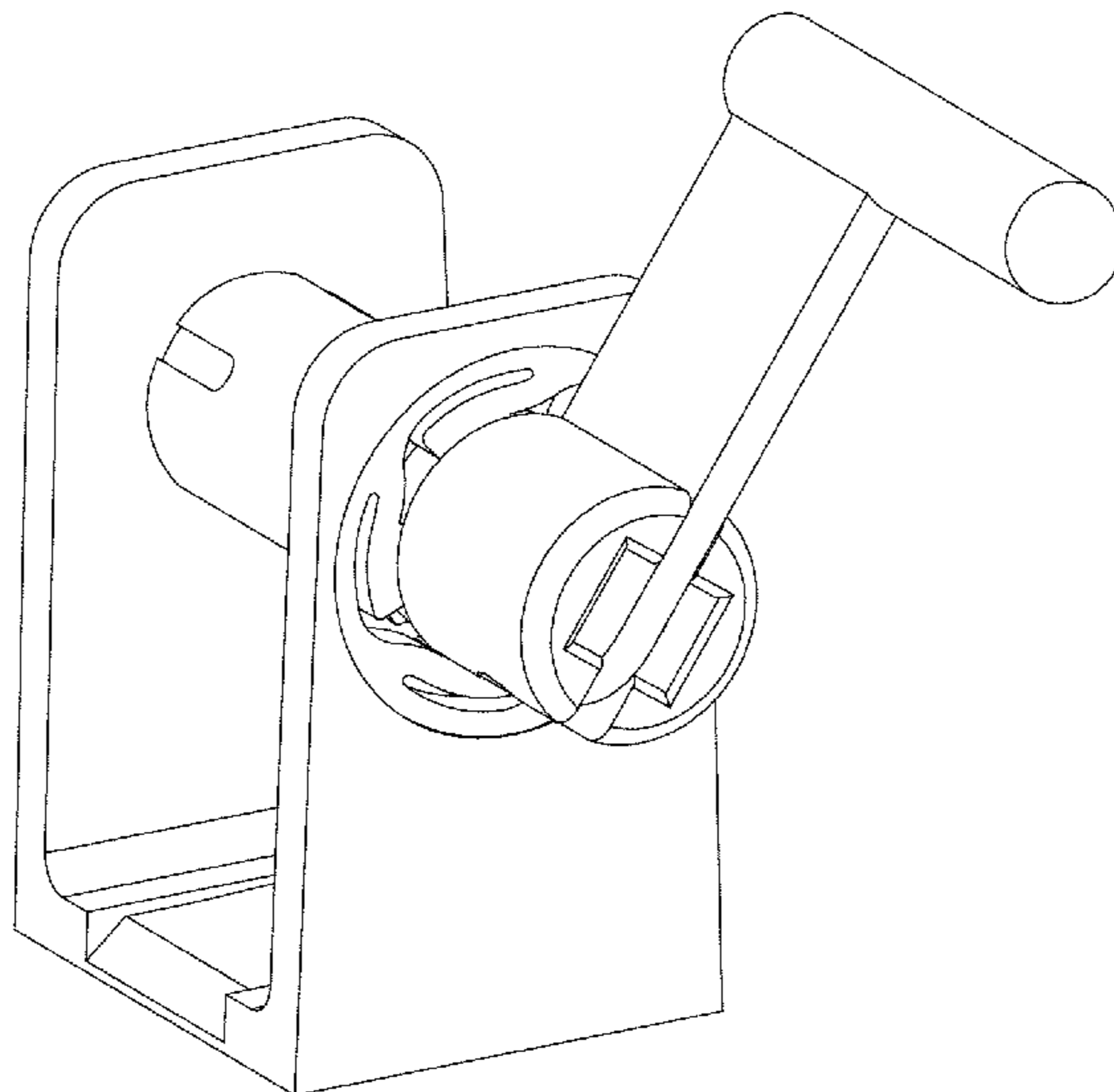
FIG. 7 is a rear view thereof, with the handle in an open position.

(56) **References Cited**

U.S. PATENT DOCUMENTS

- 2,203,604 A * 6/1940 Stibbins A63H 27/002
188/74
- D351,521 S * 10/1994 Knight, III D6/541
- 5,433,565 A * 7/1995 Chan B60P 7/0853
16/422
- D390,094 S * 2/1998 Pamplin D12/400
- D436,521 S * 1/2001 Stump D8/359
- 6,729,604 B1 * 5/2004 Claycomb B60P 7/0846
24/68 R
- 6,824,339 B1 * 11/2004 Childers B60P 7/0846
16/110.1
- 7,017,847 B2 3/2006 Treat
- 7,100,902 B1 * 9/2006 Lu B60P 7/0846
24/69 ST
- 7,278,808 B1 * 10/2007 Sisk, Sr. B60P 7/0853
279/144
- 7,413,170 B2 * 8/2008 Ruan B60P 7/083
24/69 CT
- 7,766,271 B1 * 8/2010 Confoey B60P 7/0846
24/68 CD

1 Claim, 4 Drawing Sheets



(56)

References Cited

U.S. PATENT DOCUMENTS

2008/0189921 A1* 8/2008 Tomosue B60P 7/083
24/68 R

* cited by examiner

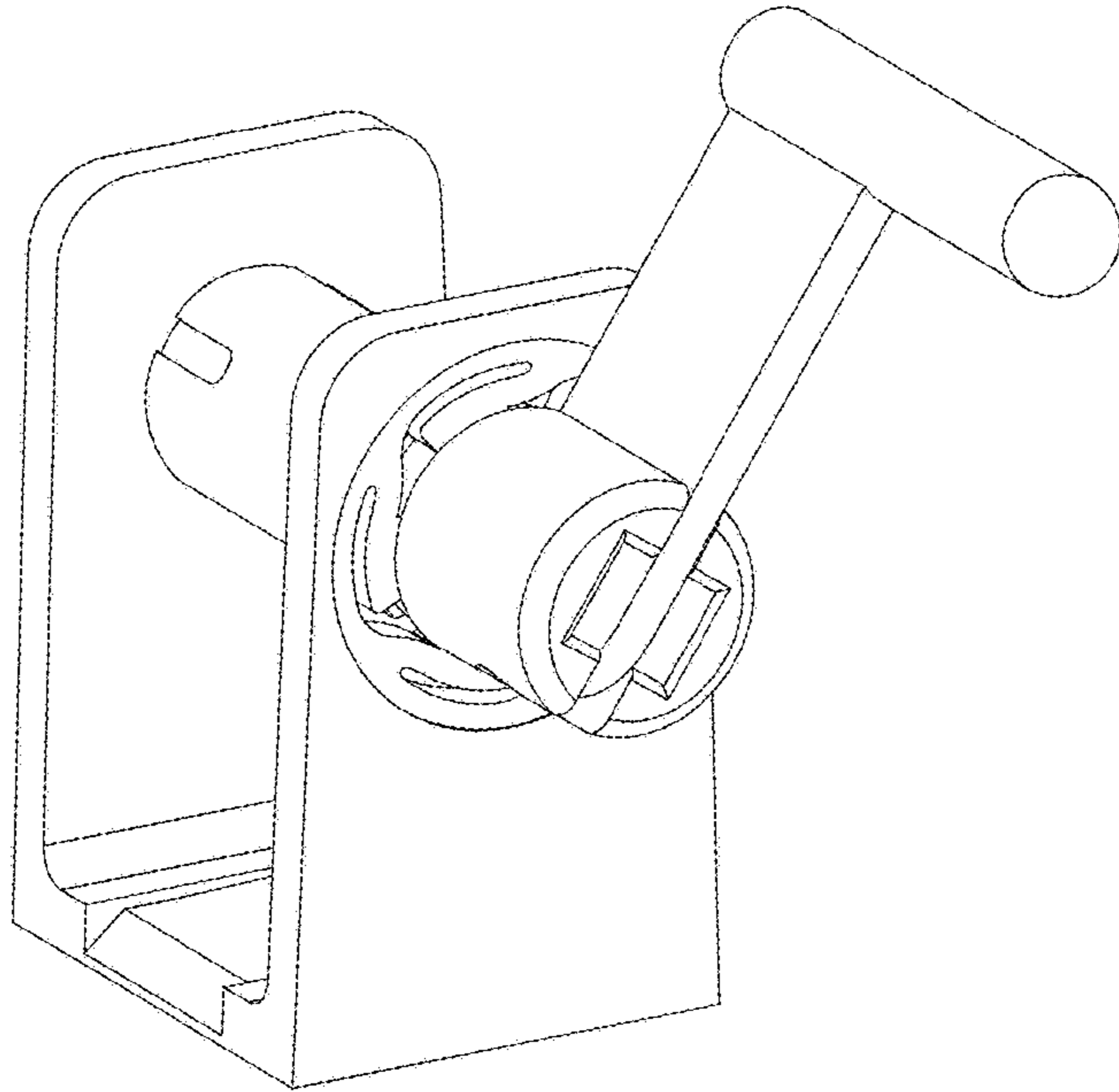


FIG. 1

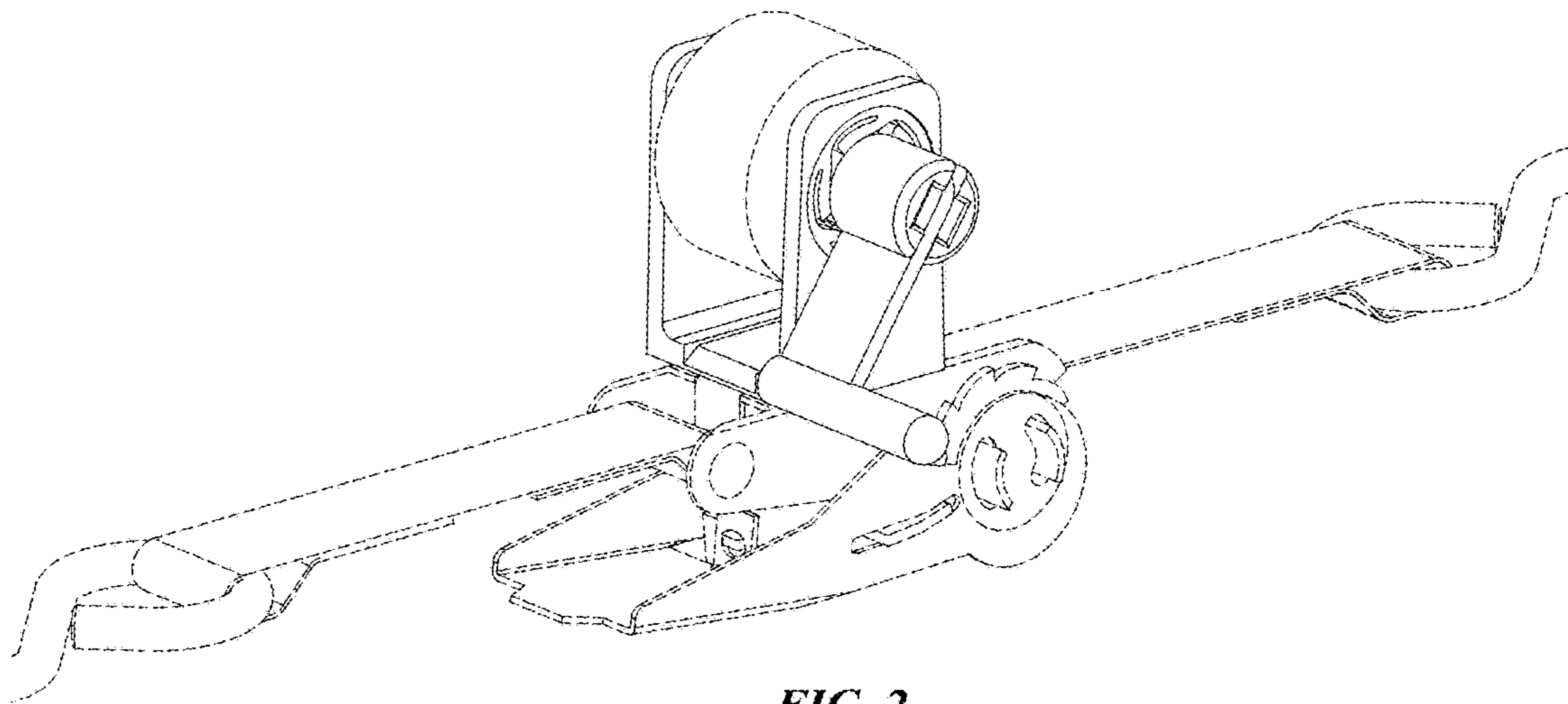


FIG. 2

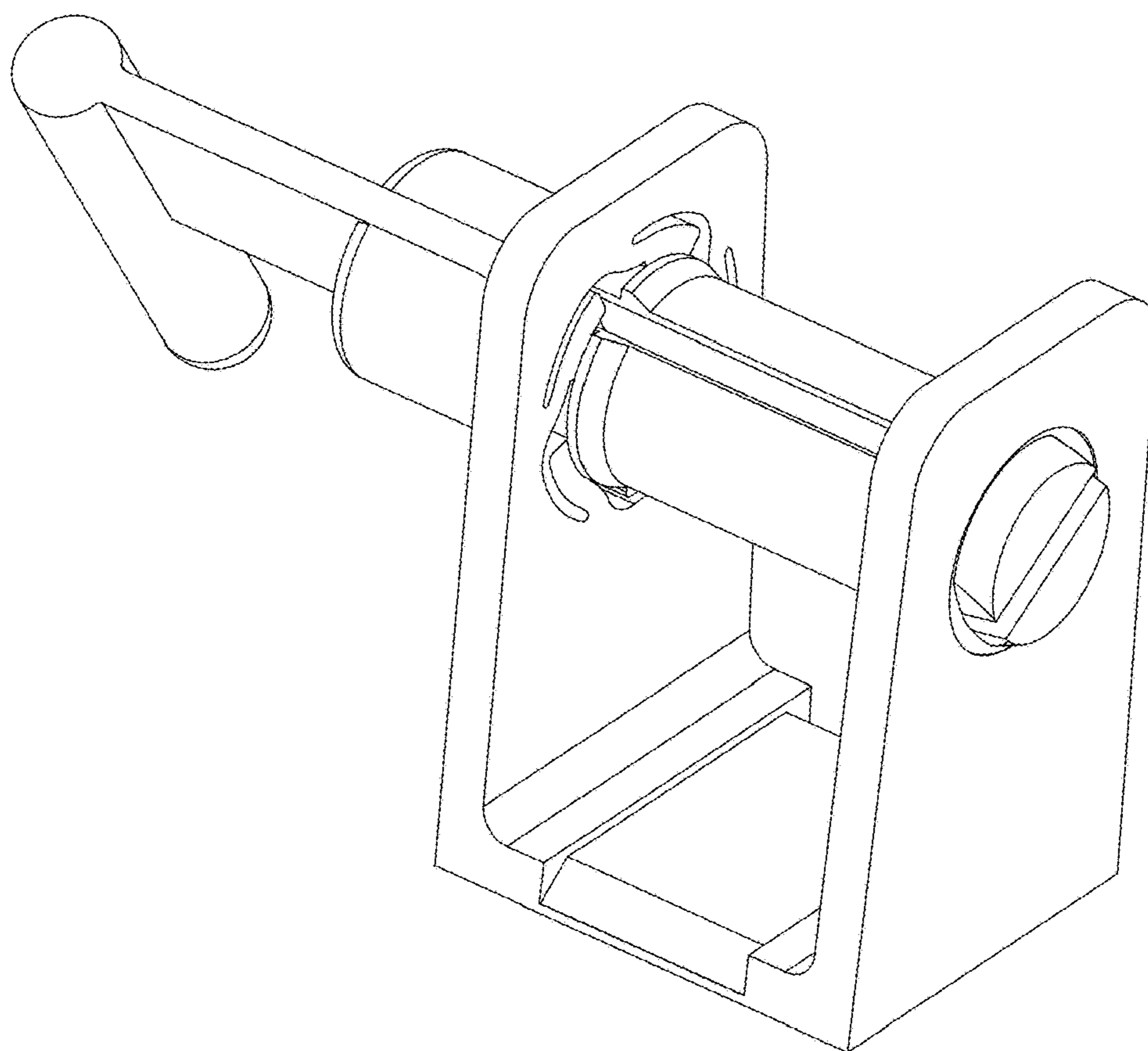


FIG. 3

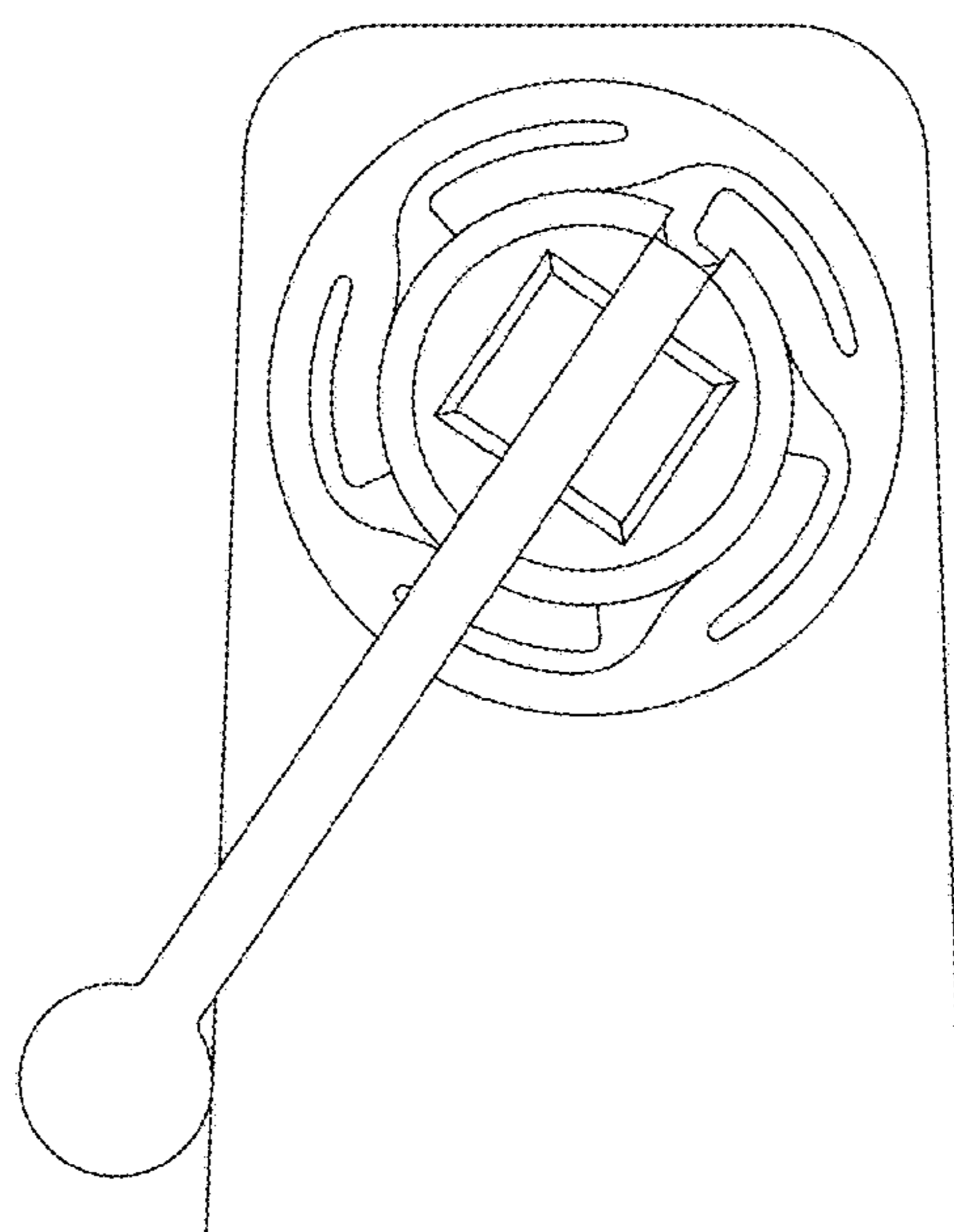


FIG. 4

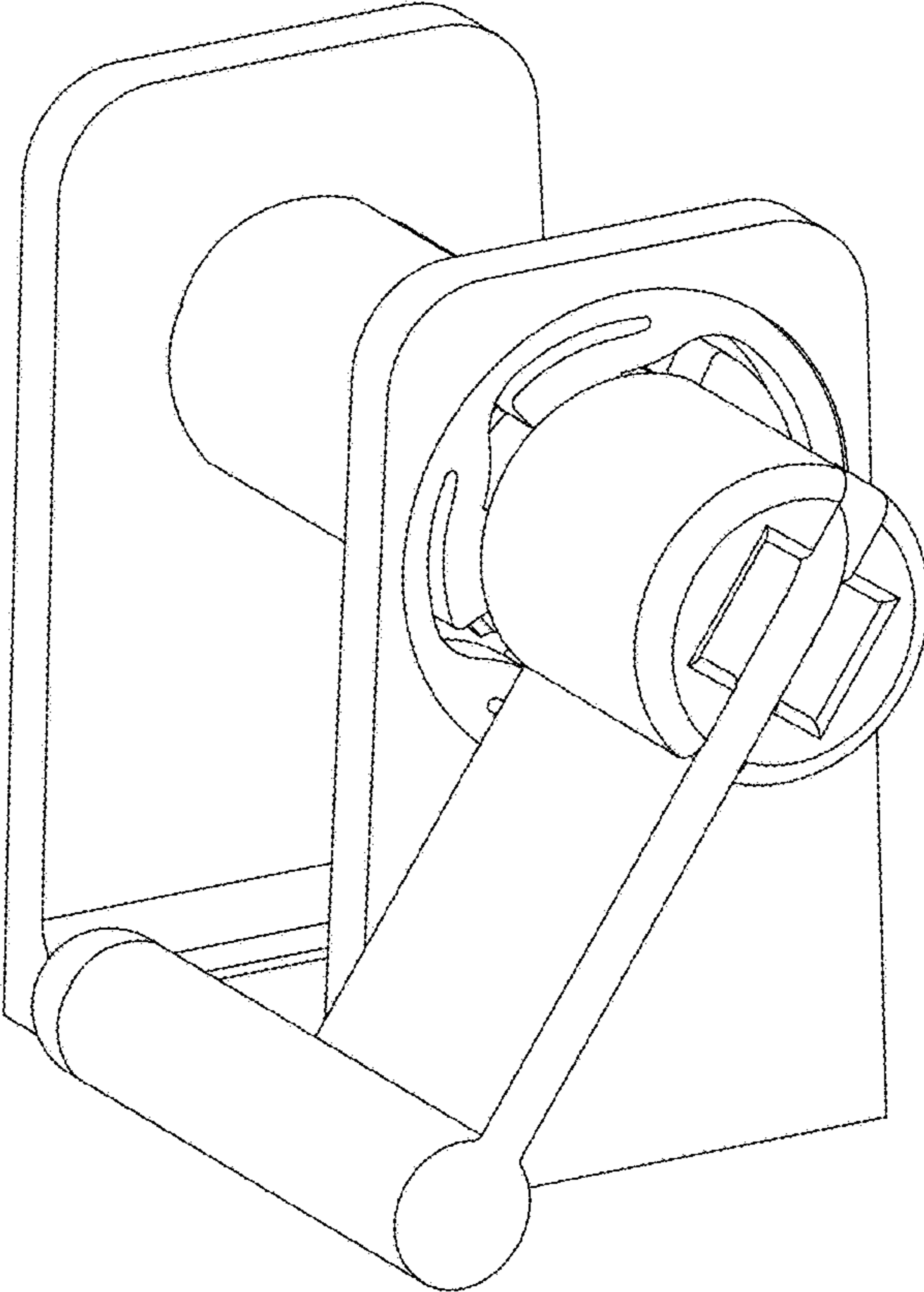


FIG. 5

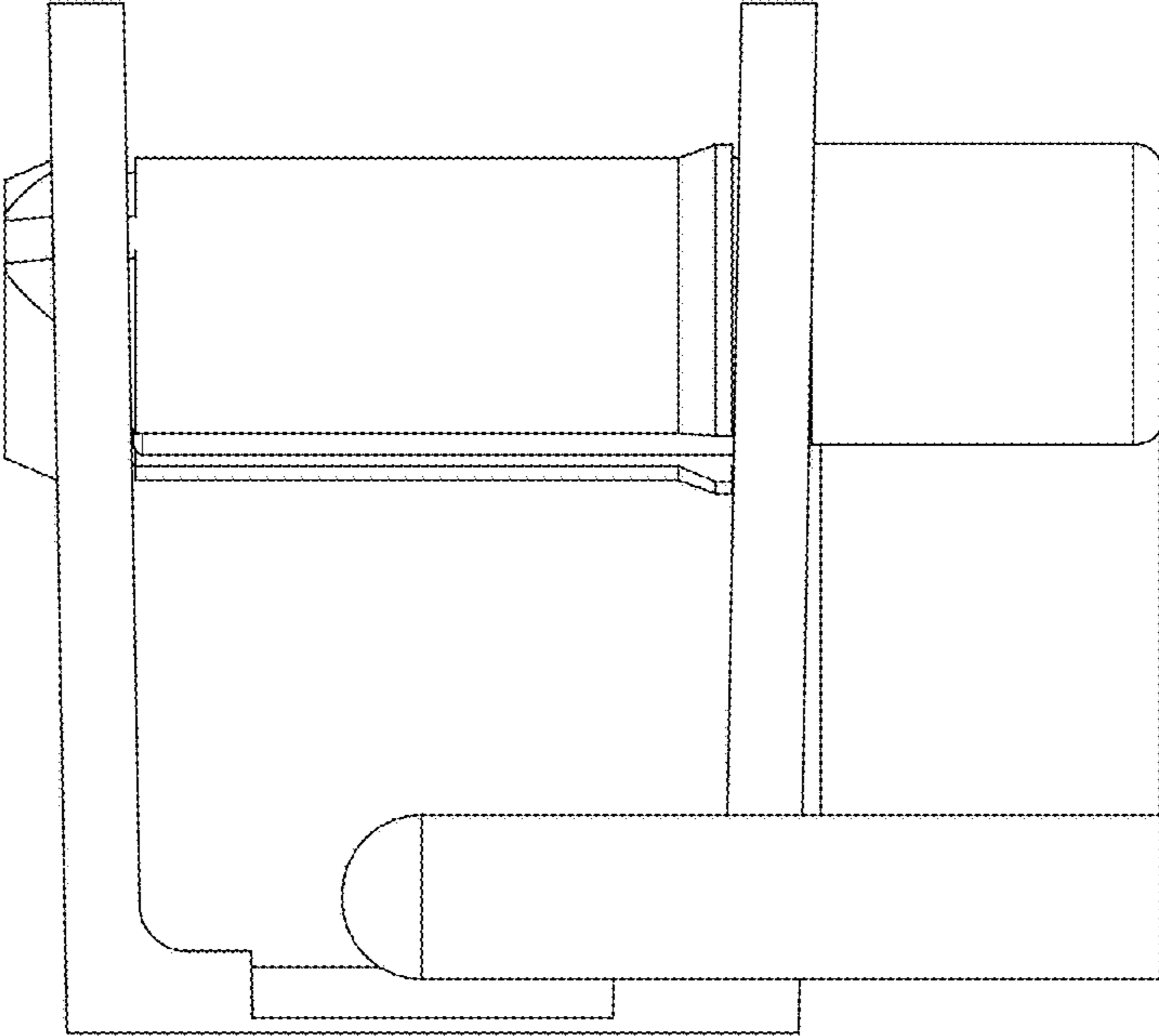


FIG. 6

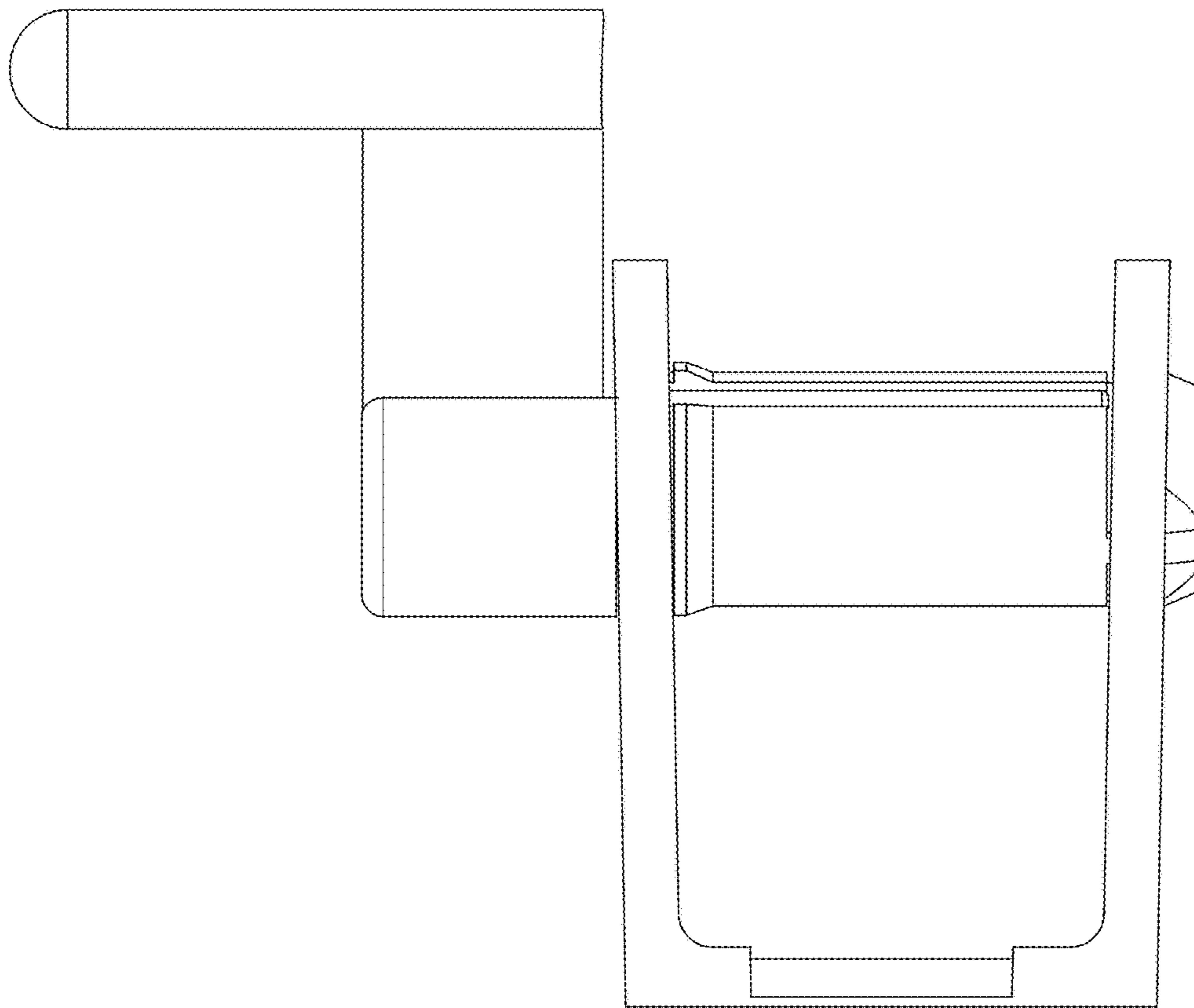


FIG. 7