



US00D845726S

(12) **United States Design Patent**  
**Takla**

(10) **Patent No.:** **US D845,726 S**  
(45) **Date of Patent:** **\*\* Apr. 16, 2019**

(54) **TRIMMER**  
(71) Applicant: **Refaat Emil Ghabranious Takla**,  
Germantown, MD (US)

(72) Inventor: **Refaat Emil Ghabranious Takla**,  
Germantown, MD (US)

(\*\*) Term: **15 Years**

(21) Appl. No.: **29/639,381**

(22) Filed: **Mar. 6, 2018**

**Related U.S. Application Data**

(63) Continuation of application No. 29/600,267, filed on  
Apr. 11, 2017, now Pat. No. Des. 816,441.

(51) **LOC (11) Cl.** ..... **08-03**

(52) **U.S. Cl.**  
USPC ..... **D8/8**

(58) **Field of Classification Search**  
USPC ..... D15/17, 10, 11, 16; D8/7, 8, 9; 56/17.4,  
56/320.1, 12-700, 12.7, 12.6; 30/276,  
30/347, 208-210, 228, 282, 283  
CPC ..... A01D 75/206; A01D 34/04167; A01D  
34/90; A01D 34/416; A01D 34/4166;  
A01D 34/4167; A01D 34/84; A01D  
34/412; A01D 34/4168; A01D 34/73;  
A01D 42/005; A01G 3/002  
See application file for complete search history.

(56) **References Cited**

**U.S. PATENT DOCUMENTS**

2,809,488 A 10/1957 Sewell  
D217,689 S 5/1970 Donelson, Jr.  
3,526,261 A 9/1970 Ivey, Jr.  
4,081,947 A 4/1978 Szymanis  
4,107,841 A \* 8/1978 Rebhun ..... A01D 34/736  
30/276  
4,126,990 A \* 11/1978 Fisher ..... A01D 34/4168  
56/12.7

4,263,771 A 4/1981 Iaboni et al.  
4,268,964 A \* 5/1981 Moore ..... A01D 34/84  
30/276  
4,329,834 A 5/1982 Hetrick  
4,513,563 A \* 4/1985 Roser ..... A01D 34/4168  
464/32  
D280,903 S 10/1985 Barbula  
4,651,422 A 3/1987 Everts  
D299,349 S 1/1989 Cuning  
D299,484 S \* 1/1989 Lee ..... D8/8  
4,819,416 A \* 4/1989 Jones ..... A01D 34/4166  
30/276  
4,823,464 A 4/1989 Gorski  
D301,110 S \* 5/1989 Barbula ..... D8/7  
D303,067 S \* 8/1989 Pinson ..... D8/8  
4,905,465 A 3/1990 Jones et al.  
4,928,457 A 5/1990 Laperle  
4,967,546 A 11/1990 Forbush  
5,020,309 A 6/1991 Hopkins

(Continued)

*Primary Examiner* — Mark A Goodwin

(74) *Attorney, Agent, or Firm* — Miles & Stockbridge  
P.C.

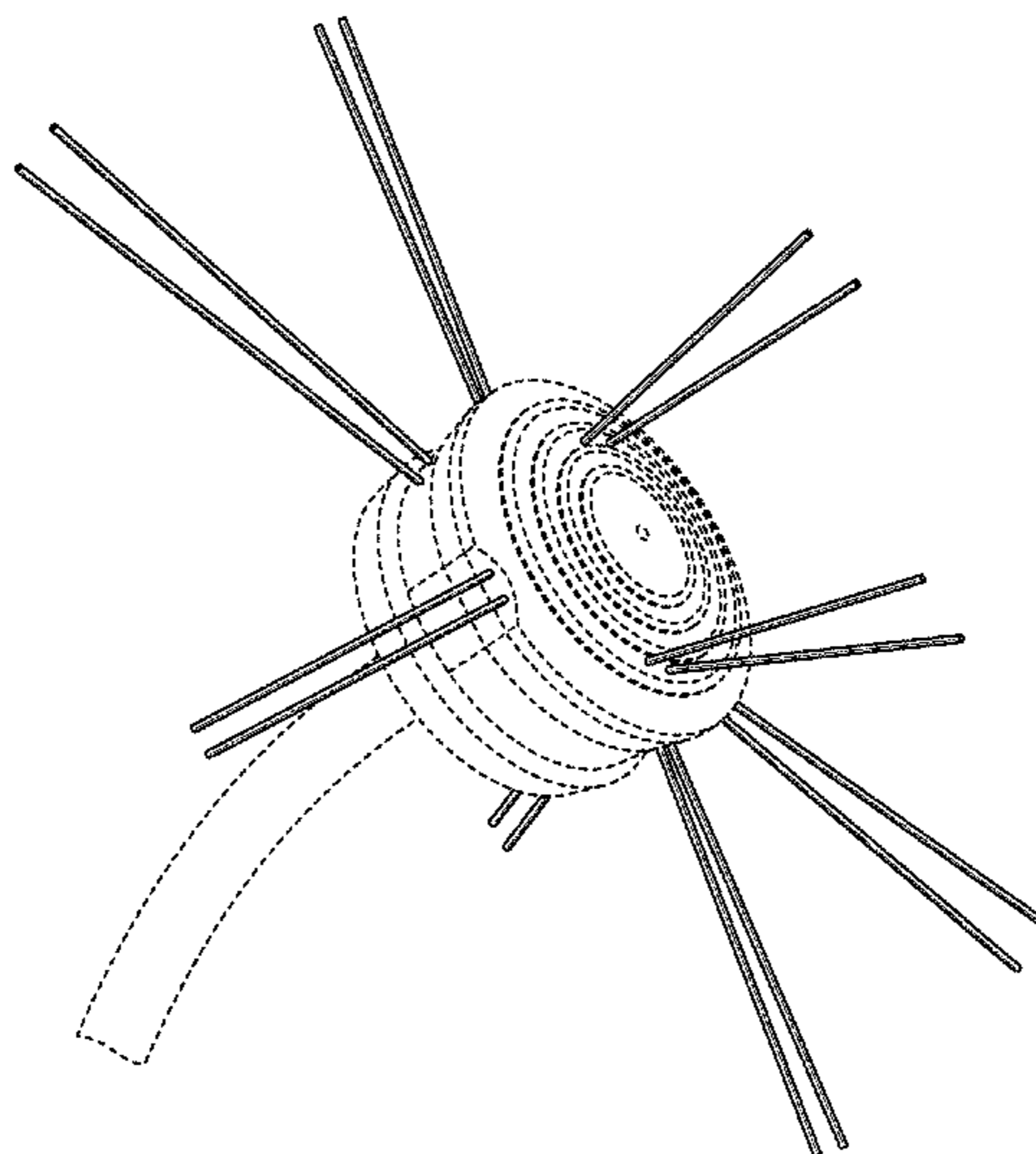
(57) **CLAIM**

The ornamental design for a trimmer, as shown and  
described.

**DESCRIPTION**

FIG. 1 is a perspective view of a trimmer showing my new  
design.  
FIG. 2 is a bottom plan view thereof.  
FIG. 3 is a top plan view thereof.  
FIG. 4 is a first-side view thereof.  
FIG. 5 is a second-side view thereof.  
FIG. 6 is a third-side view thereof; and,  
FIG. 7 is a fourth-side view thereof.  
The broken line showing of a trimmer head is included for  
the purpose of illustrating environmental structure only and  
forms no part of the claimed design.

**1 Claim, 7 Drawing Sheets**



(56)

References Cited

U.S. PATENT DOCUMENTS

5,048,278	A *	9/1991	Jones	.....	A01D 34/4166	30/276	6,941,738	B1	9/2005	Standish	
5,077,898	A	1/1992	Hartwig				D532,263	S *	11/2006	Iacona	..... D8/8
5,115,870	A	5/1992	Byrne				D536,226	S	2/2007	Yates	
D347,150	S *	5/1994	Falconbridge	.....	D8/8		7,257,898	B2 *	8/2007	Iacona	..... A01D 34/416
D347,773	S	6/1994	Nash								30/276
D349,221	S	8/1994	Griffin				7,284,331	B2	10/2007	Paddock	
D350,463	S	9/1994	Hardesty, Jr.				D574,679	S *	8/2008	Denby	..... D8/8
5,423,126	A	6/1995	Byrne				D584,581	S	1/2009	Bradford	
D376,741	S	12/1996	Sadlowski, Sr.				7,603,782	B2 *	10/2009	Jerez	..... A01D 34/416
D382,779	S	8/1997	Meisner et al.								30/276
D392,164	S	3/1998	Bomgaars, Jr.				7,963,041	B1	6/2011	Smith	
5,722,172	A *	3/1998	Walden	.....	A01D 34/736	30/276	8,590,166	B1	11/2013	Albertson et al.	
5,842,651	A	12/1998	Smothers				D719,415	S *	12/2014	Albertson	..... D8/8
5,878,556	A	3/1999	Franz				8,918,999	B2	12/2014	Proulx et al.	
5,907,947	A *	6/1999	Poole	.....	A01D 34/736	56/12.7	D743,220	S *	11/2015	Albertson	..... D8/8
D417,597	S	12/1999	Sutliff et al.				D757,508	S *	5/2016	Hermann	..... D8/8
6,052,907	A *	4/2000	Wang	.....	A01D 34/416	30/276	D759,444	S *	6/2016	Hermann	..... D8/8
6,370,854	B1	4/2002	Moore				9,433,146	B2	9/2016	Hutchins	
D463,230	S	9/2002	Robson				9,603,301	B2 *	3/2017	Jerez	..... A01D 34/416
6,539,694	B2 *	4/2003	Oxley	.....	A01D 34/003	56/12.7	9,661,804	B1 *	5/2017	Albertson	..... A01D 34/90
6,601,373	B1 *	8/2003	Legrand	.....	A01D 34/4168	30/276	9,801,335	B2 *	10/2017	Skinner	..... A01D 34/4165
6,665,941	B1	12/2003	Teeple				2004/0020060	A1	2/2004	Peterson	
6,665,942	B2	12/2003	Richardson et al.				2004/0148783	A1	8/2004	Cashman et al.	
6,722,114	B1 *	4/2004	Poole	.....	A01D 34/4168	56/17.5	2007/0028458	A1 *	2/2007	Guerra	..... A01D 34/4166
6,757,980	B2	7/2004	Arsenault								30/276
							2011/0179757	A1	7/2011	Scott-Stanbridge et al.	
							2012/0066915	A1 *	3/2012	Alliss	..... A01D 34/4166
											30/347
							2012/0246945	A1 *	10/2012	Harless	..... A01D 34/416
											30/303
							2017/0135282	A1	5/2017	Takla	

\* cited by examiner

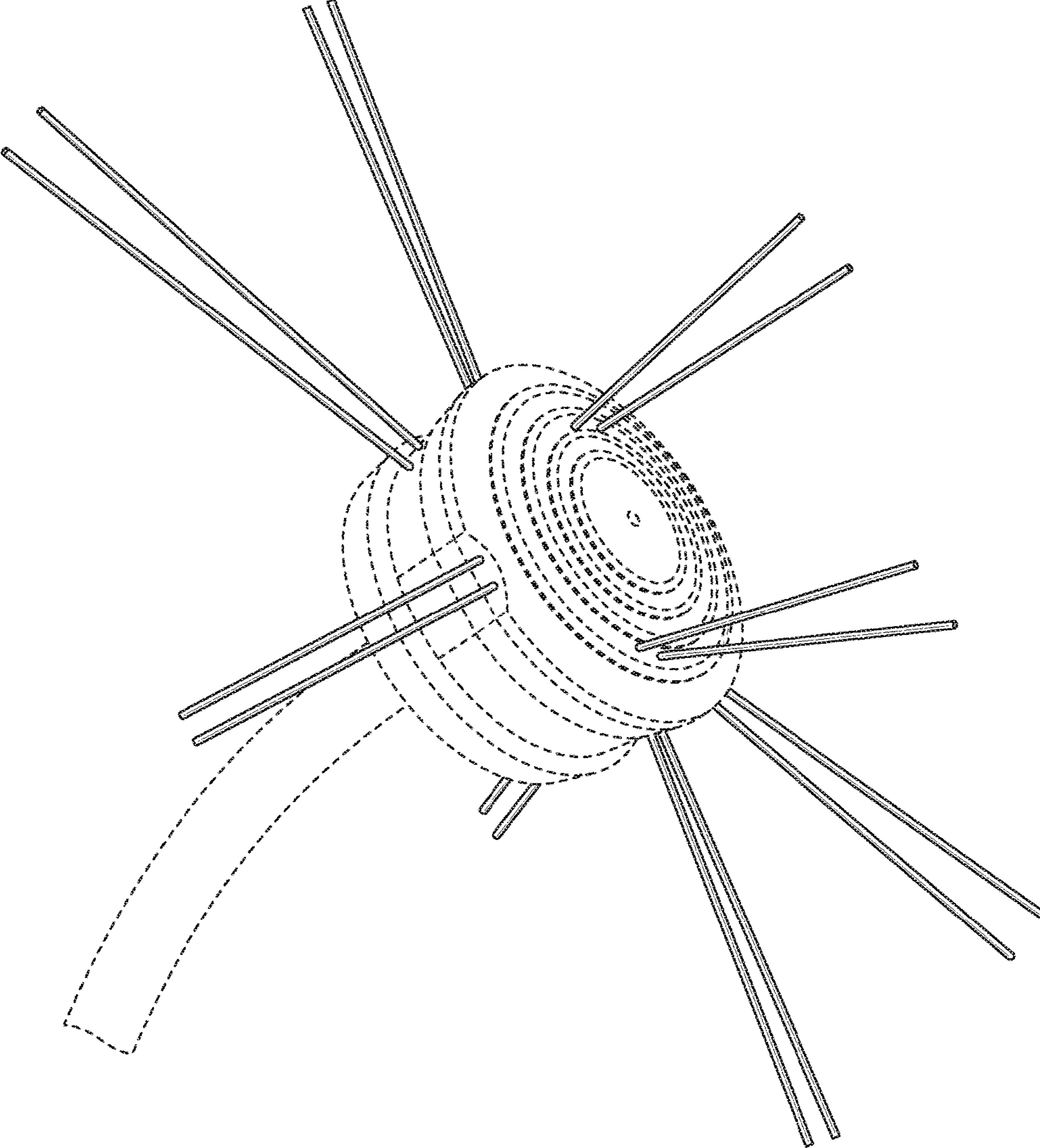


FIG. 1

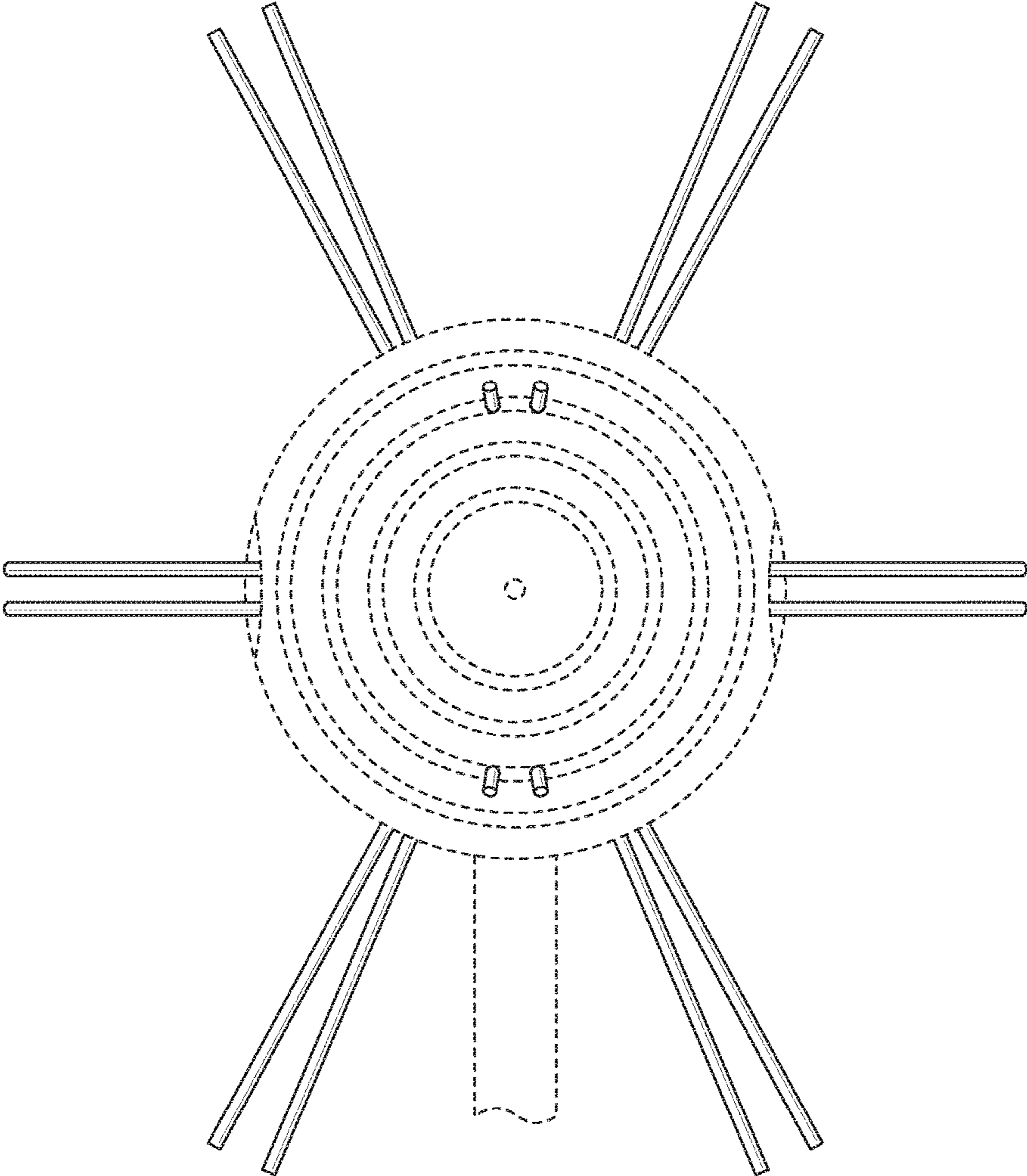


FIG. 2

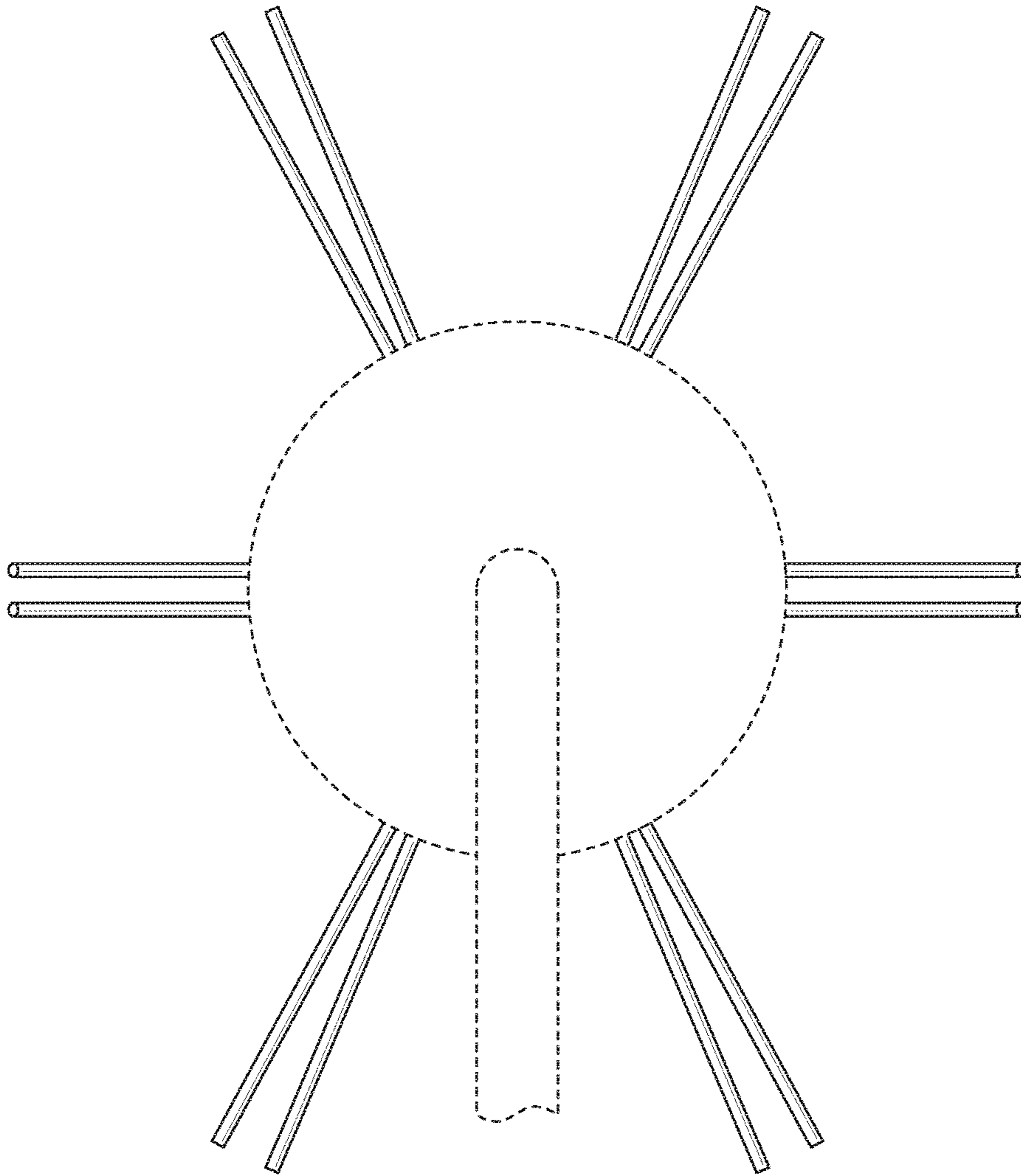


FIG. 3

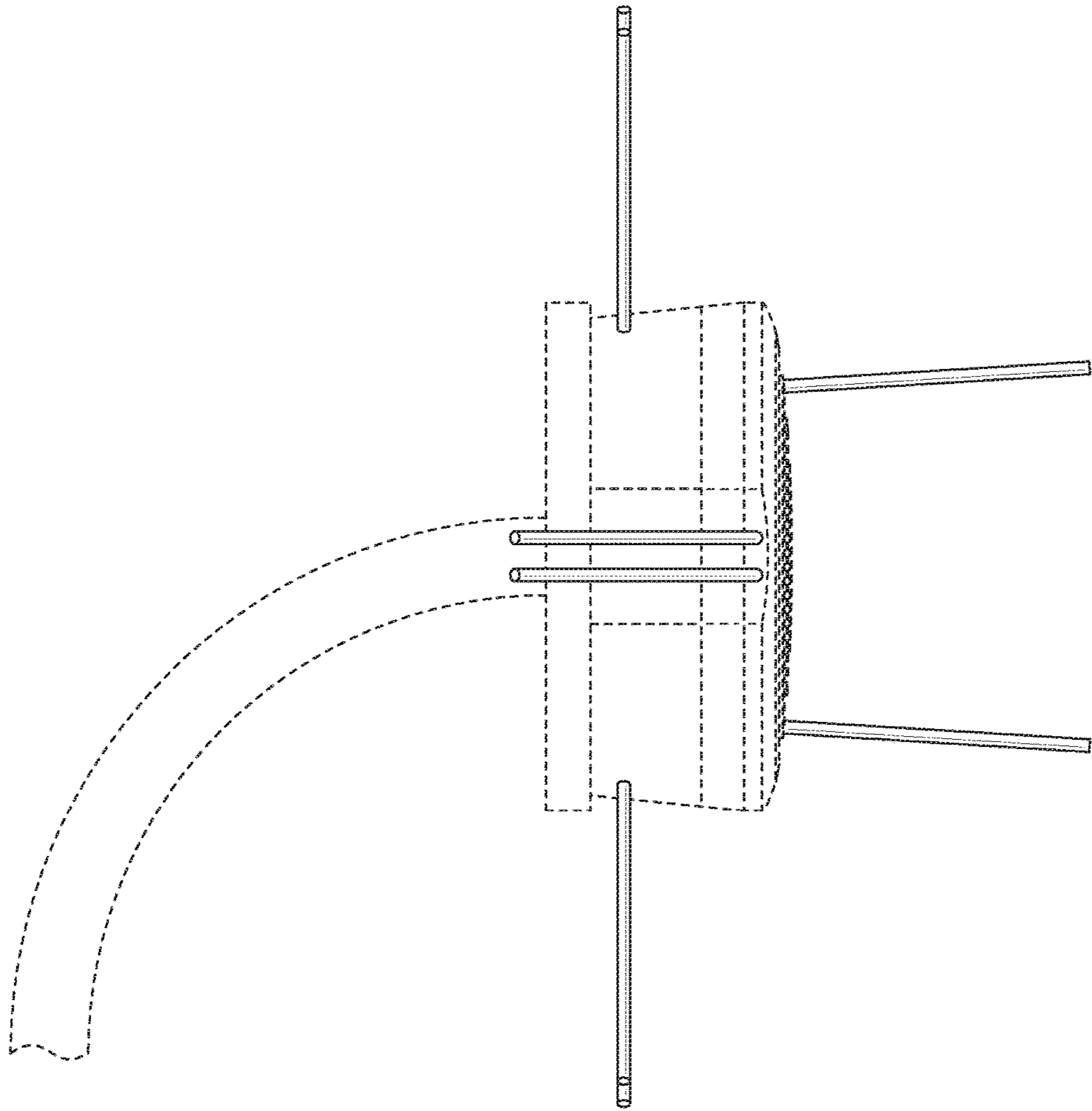


FIG. 4

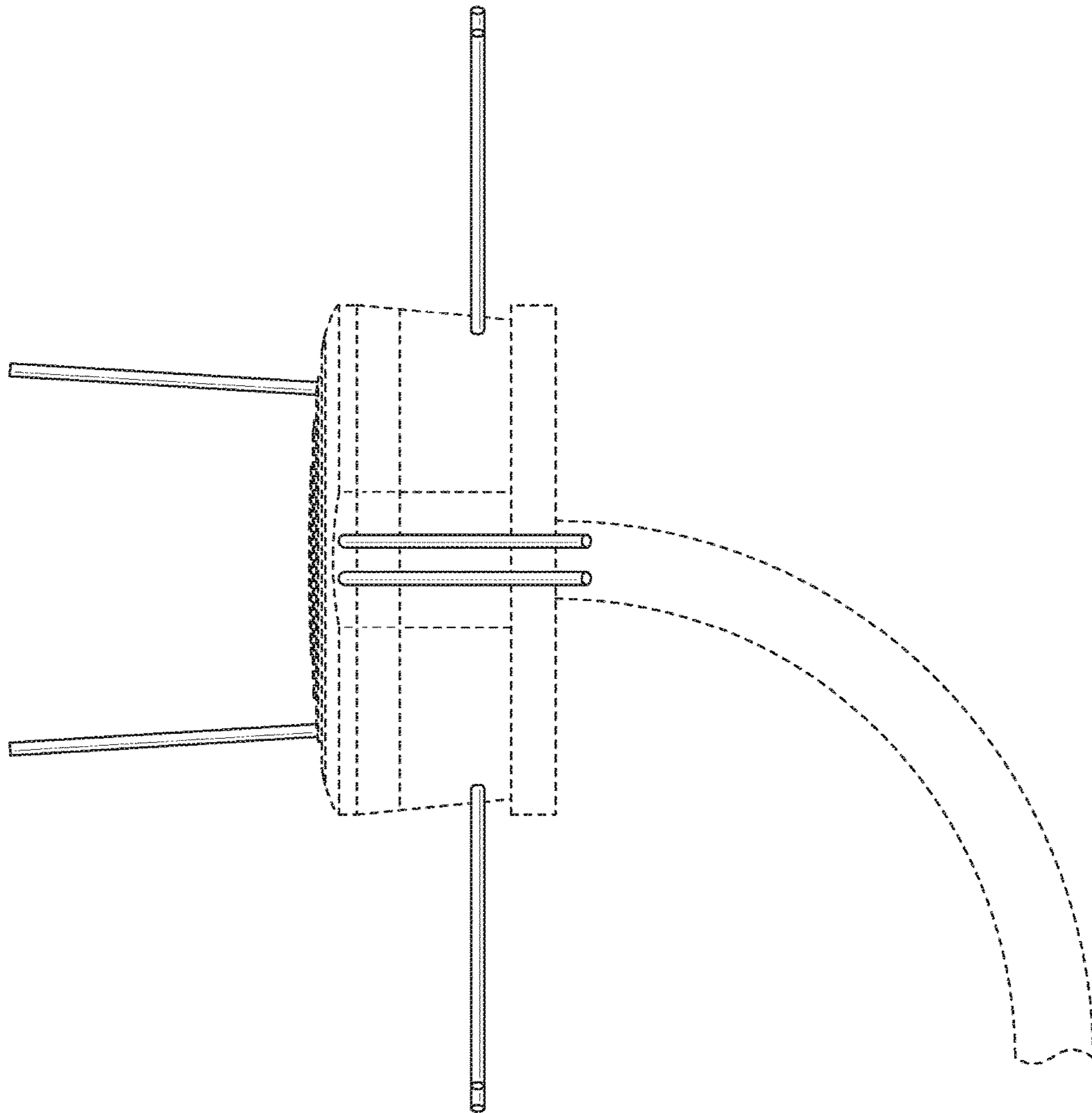


FIG. 5

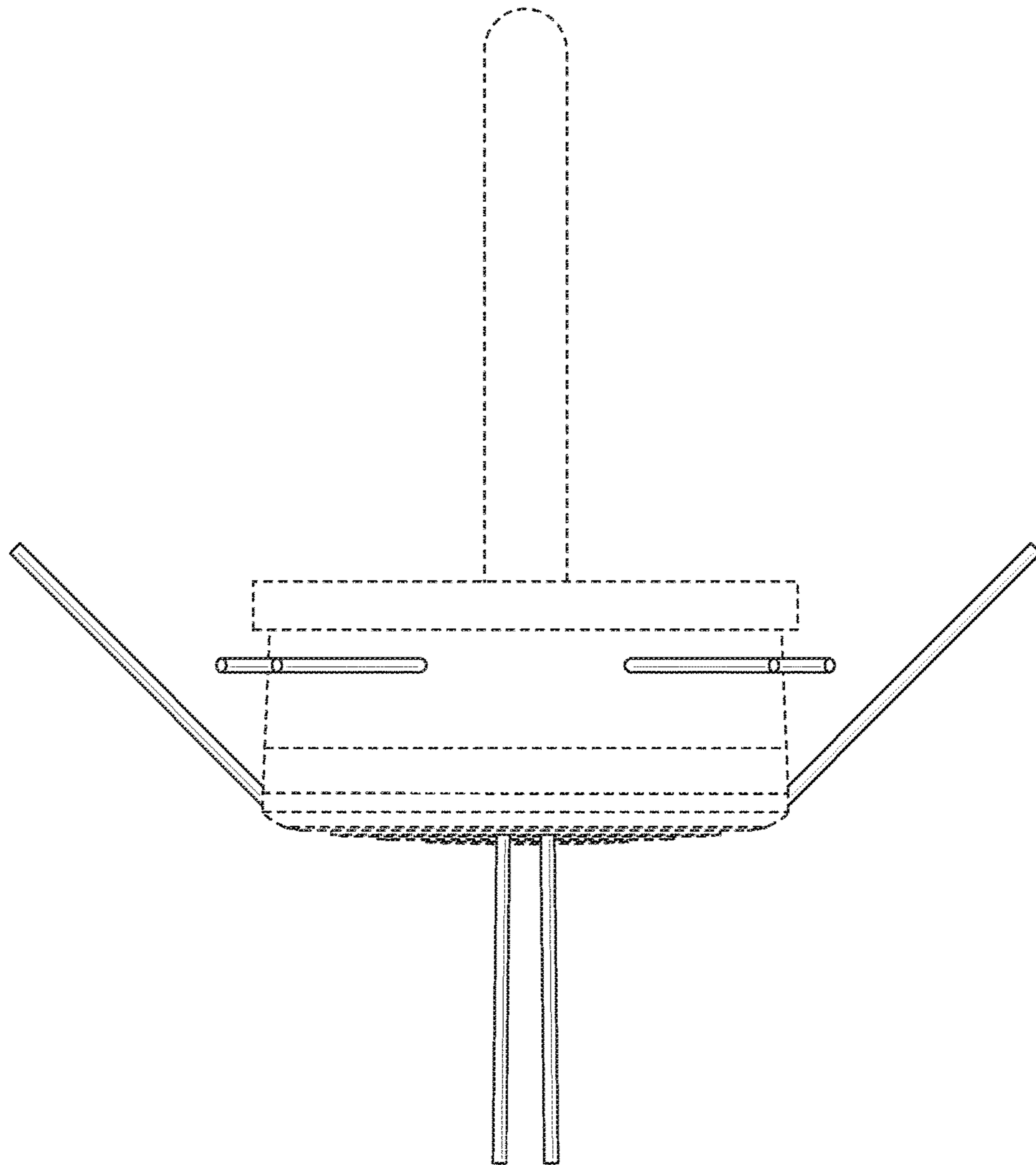


FIG. 6



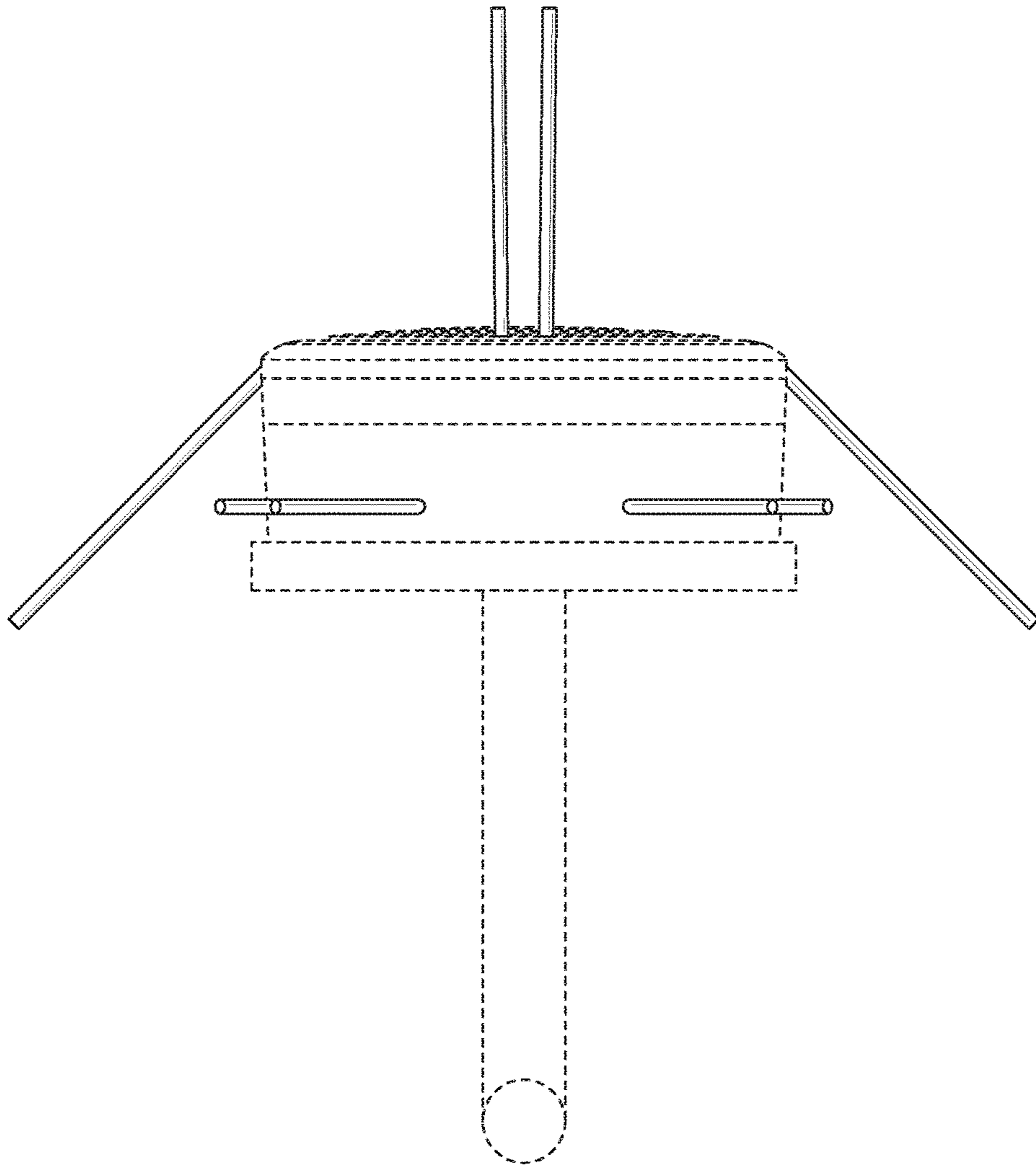


FIG. 7