



US00D845722S

(12) **United States Design Patent**  
**Kasting**

(10) **Patent No.:** **US D845,722 S**  
(45) **Date of Patent:** **\*\* Apr. 16, 2019**

- (54) **FUNNEL**
- (71) Applicant: **Rieke Corporation**, Auburn, IN (US)
- (72) Inventor: **Thomas P. Kasting**, Fort Wayne, IN (US)
- (73) Assignee: **RIEKE CORPORATION**, Auburn, IN (US)
- (\*\*) Term: **15 Years**
- (21) Appl. No.: **29/601,673**
- (22) Filed: **Apr. 25, 2017**
- (51) **LOC (11) Cl.** ..... **07-99**
- (52) **U.S. Cl.**  
USPC ..... **D7/700**
- (58) **Field of Classification Search**  
USPC ..... D7/400, 667, 398; D9/440, 436, 524,  
D9/712; D23/209, 302; D10/46.2;  
D1/105, 116; D24/122  
CPC ..... A61J 11/04; A61J 9/00; B01F 15/00915;  
B65B 39/00; B65B 39/04; B65D 35/38;  
B65D 47/06; B67C 11/02; A47J 31/06;  
C02F 1/003  
See application file for complete search history.

D560,105	S	1/2008	McKenzie	
7,464,735	B2	12/2008	Shultz	
7,665,492	B2	2/2010	Burstein et al.	
7,975,734	B2	7/2011	Makowiec et al.	
8,469,066	B2	6/2013	Castillo	
D740,085	S *	10/2015	Baughman	D7/700
9,392,755	B1 *	7/2016	Lantis	A01G 27/00
D772,025	S *	11/2016	Salzl	D7/700
D783,209	S *	4/2017	Morris	D30/121
2009/0107582	A1	4/2009	Sayage	
2009/0188583	A1	7/2009	Noel et al.	
2009/0242432	A1	10/2009	Grebe	
2013/0175237	A1 *	7/2013	Parks, Jr.	B65D 88/26 215/386
2015/0068643	A1 *	3/2015	Baughman	B67C 11/02 141/332

\* cited by examiner

*Primary Examiner* — Karen S Acker  
*Assistant Examiner* — Steven B Reinholdt, Jr.  
(74) *Attorney, Agent, or Firm* — McDonald Hopkins LLC

(57) **CLAIM**

The ornamental design for a funnel, as shown and described.

**DESCRIPTION**

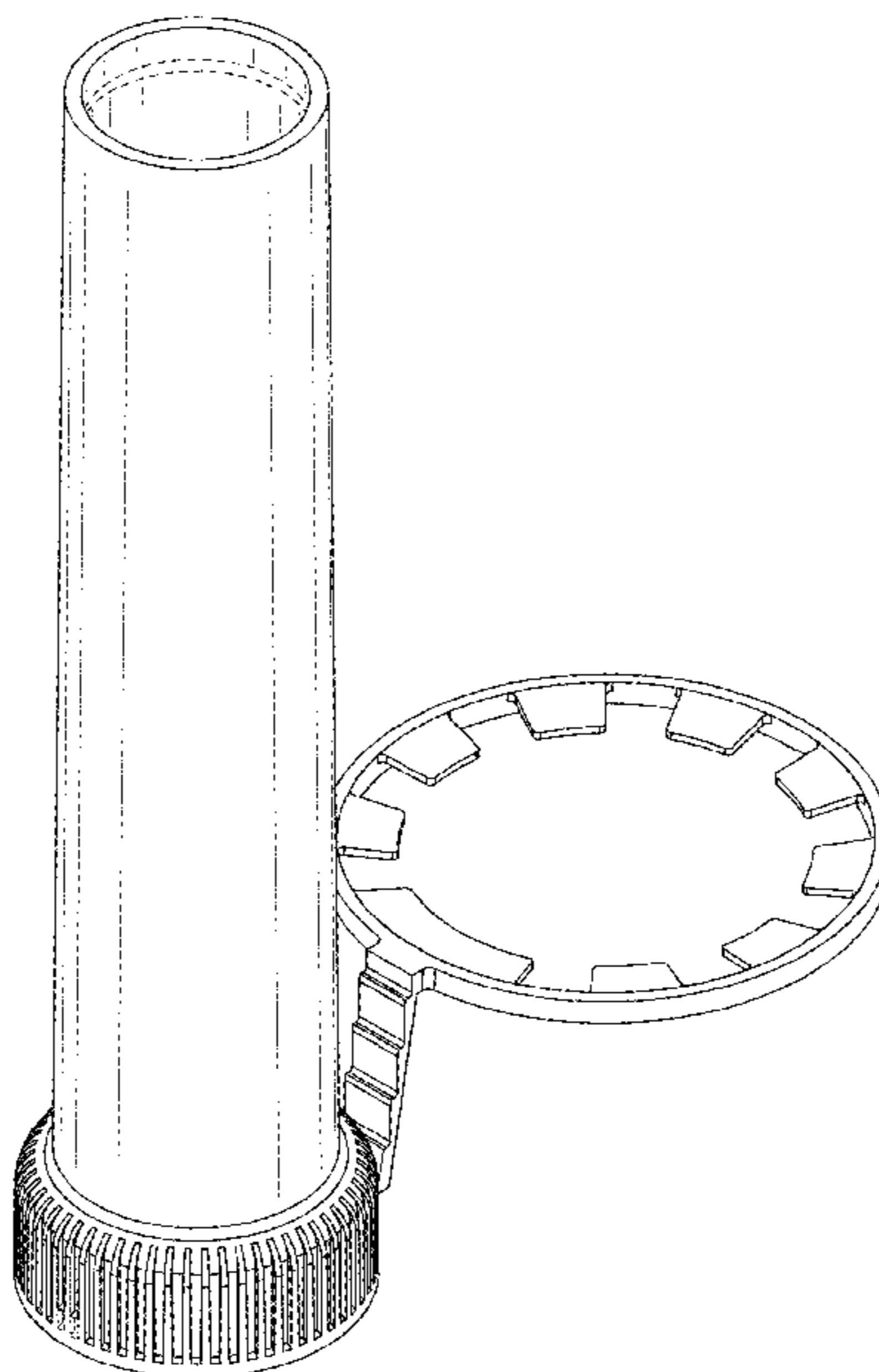
FIG. 1 is a perspective view of the funnel showing our new design;  
FIG. 2 is another perspective view thereof;  
FIG. 3 is a front elevational view thereof;  
FIG. 4 is a rear elevational view thereof;  
FIG. 5 is a left side elevational view thereof;  
FIG. 6 is a right side elevational view thereof;  
FIG. 7 is a top plan view thereof; and,  
FIG. 8 is a bottom plan view thereof.  
The broken lines in the drawings depict portions of the funnel that form no part of the claimed design.

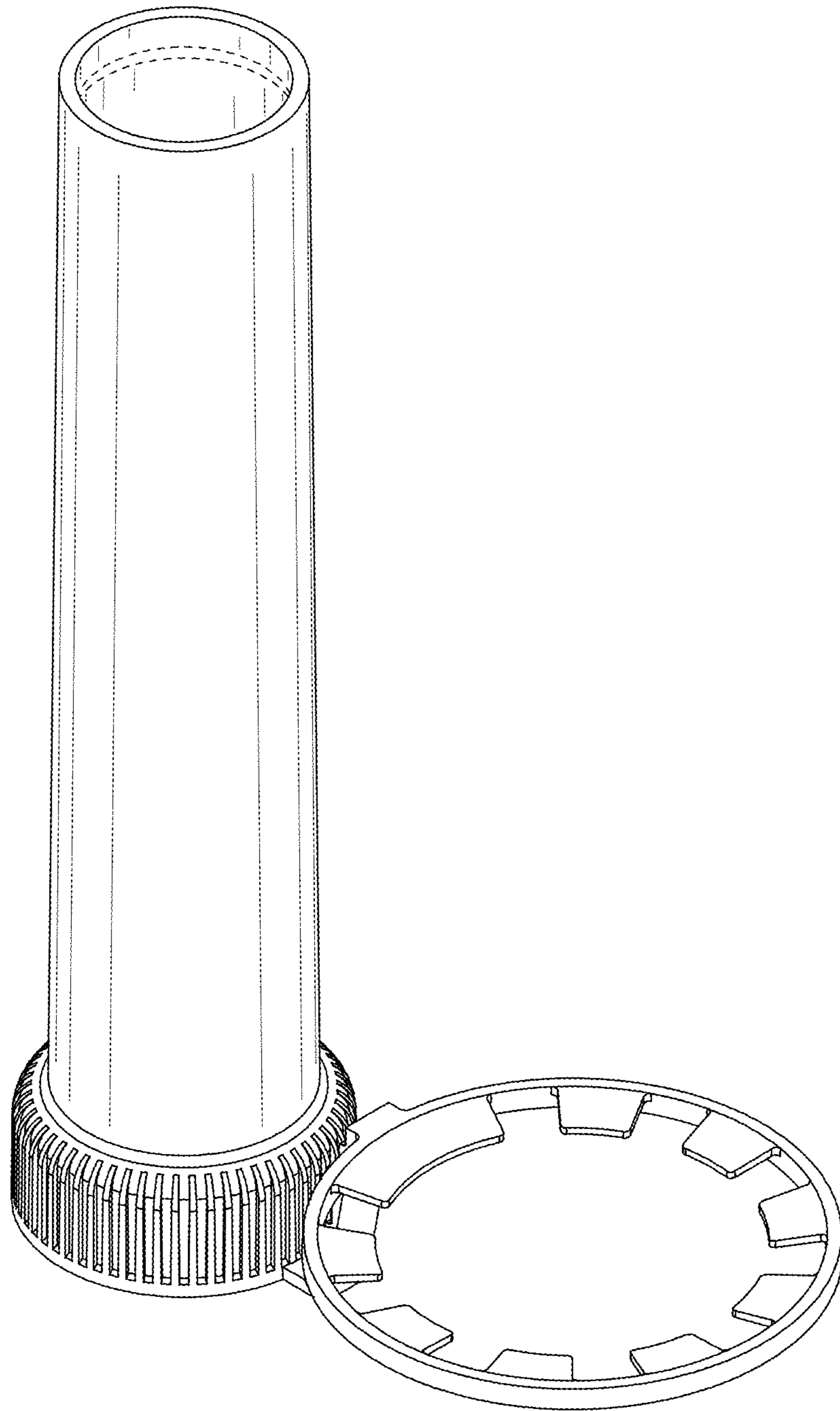
**1 Claim, 6 Drawing Sheets**

(56) **References Cited**

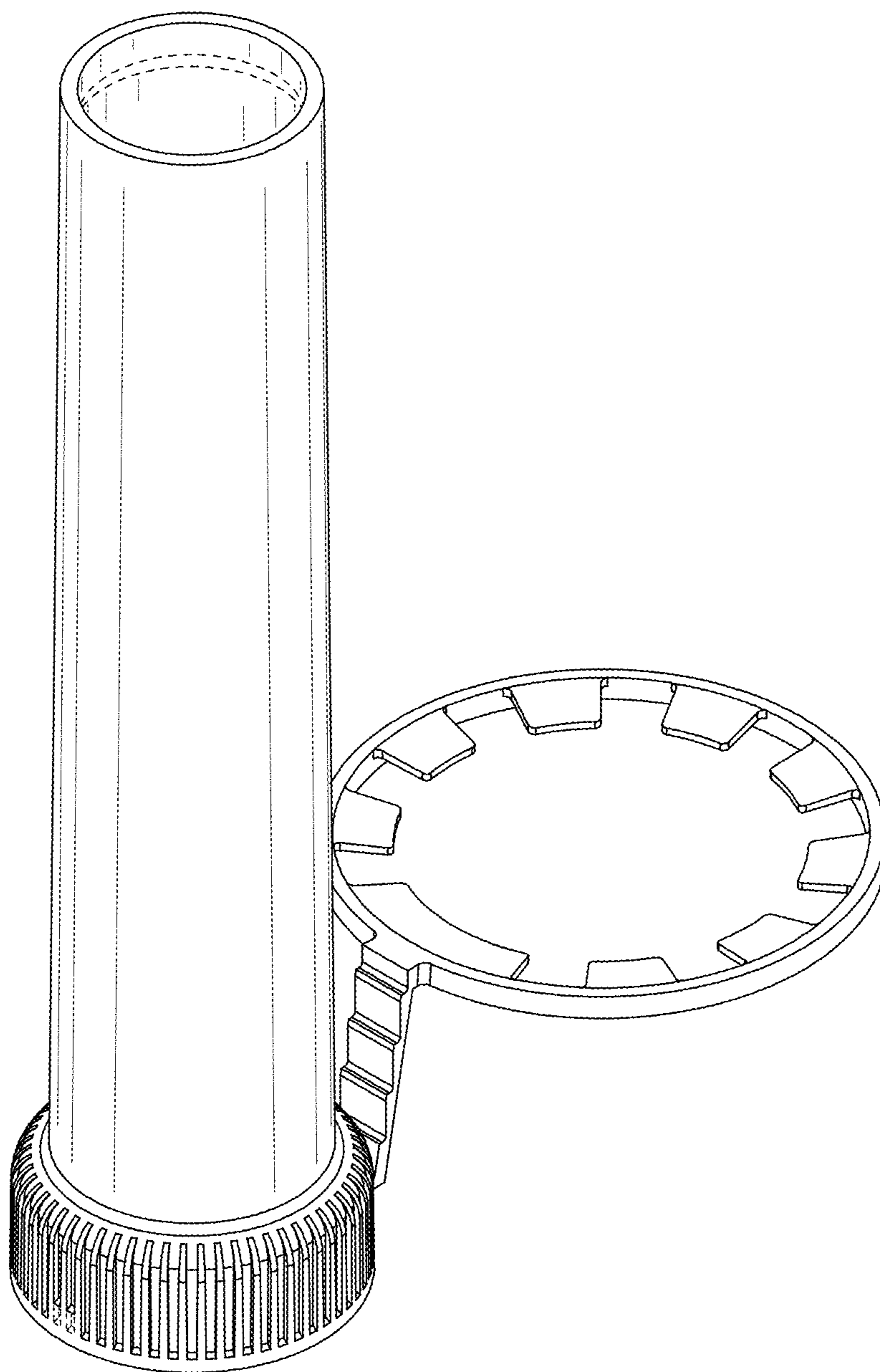
U.S. PATENT DOCUMENTS

D217,180	S *	4/1970	Holland	141/333
3,939,884	A	2/1976	Mader	
4,706,720	A	11/1987	Pattison et al.	
D307,173	S *	4/1990	Boehnke	D23/209
6,155,315	A	12/2000	Peterson	
6,752,183	B2	6/2004	Leoncavallo	
7,264,027	B2	9/2007	Rosenbaum	

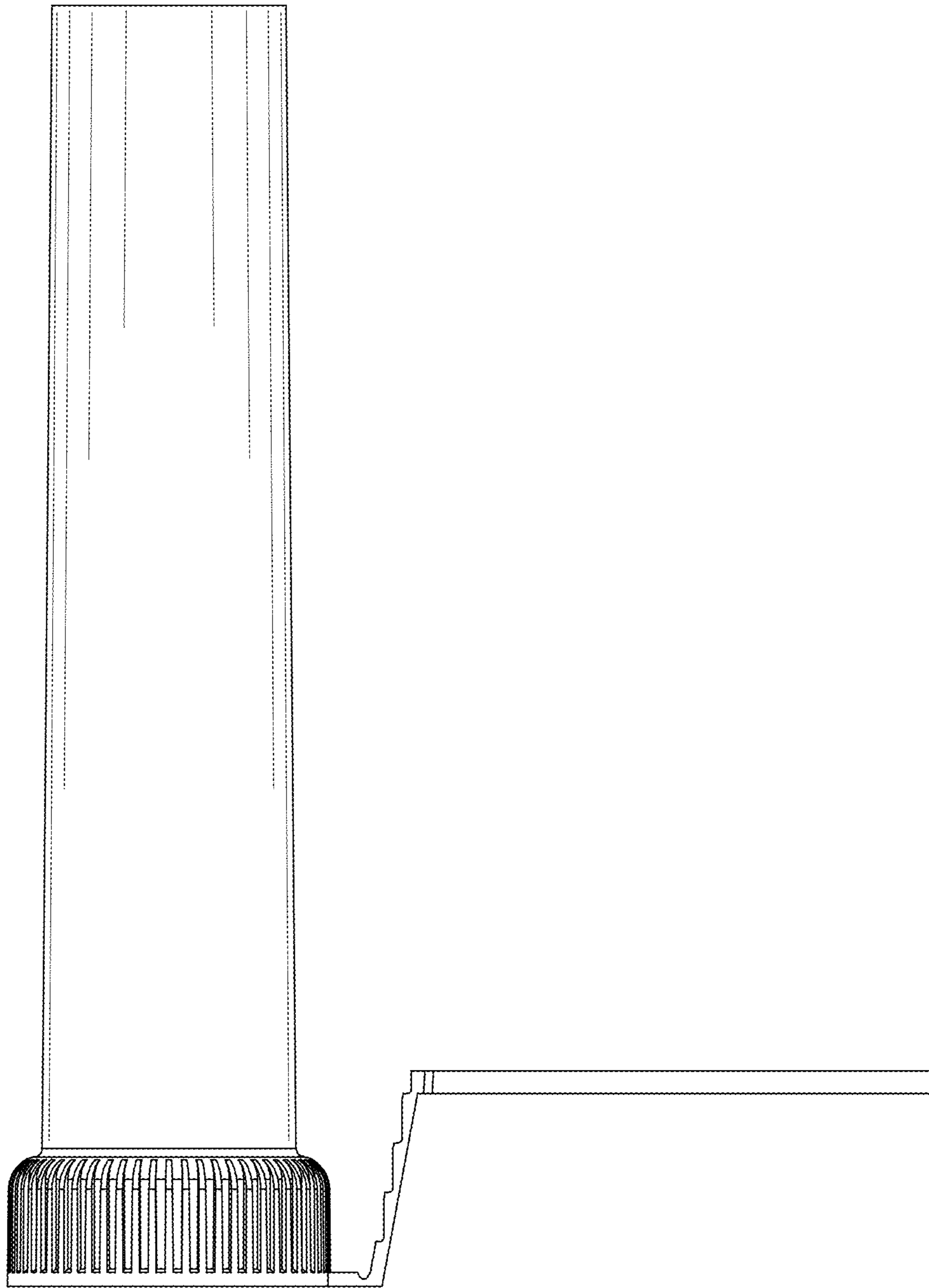




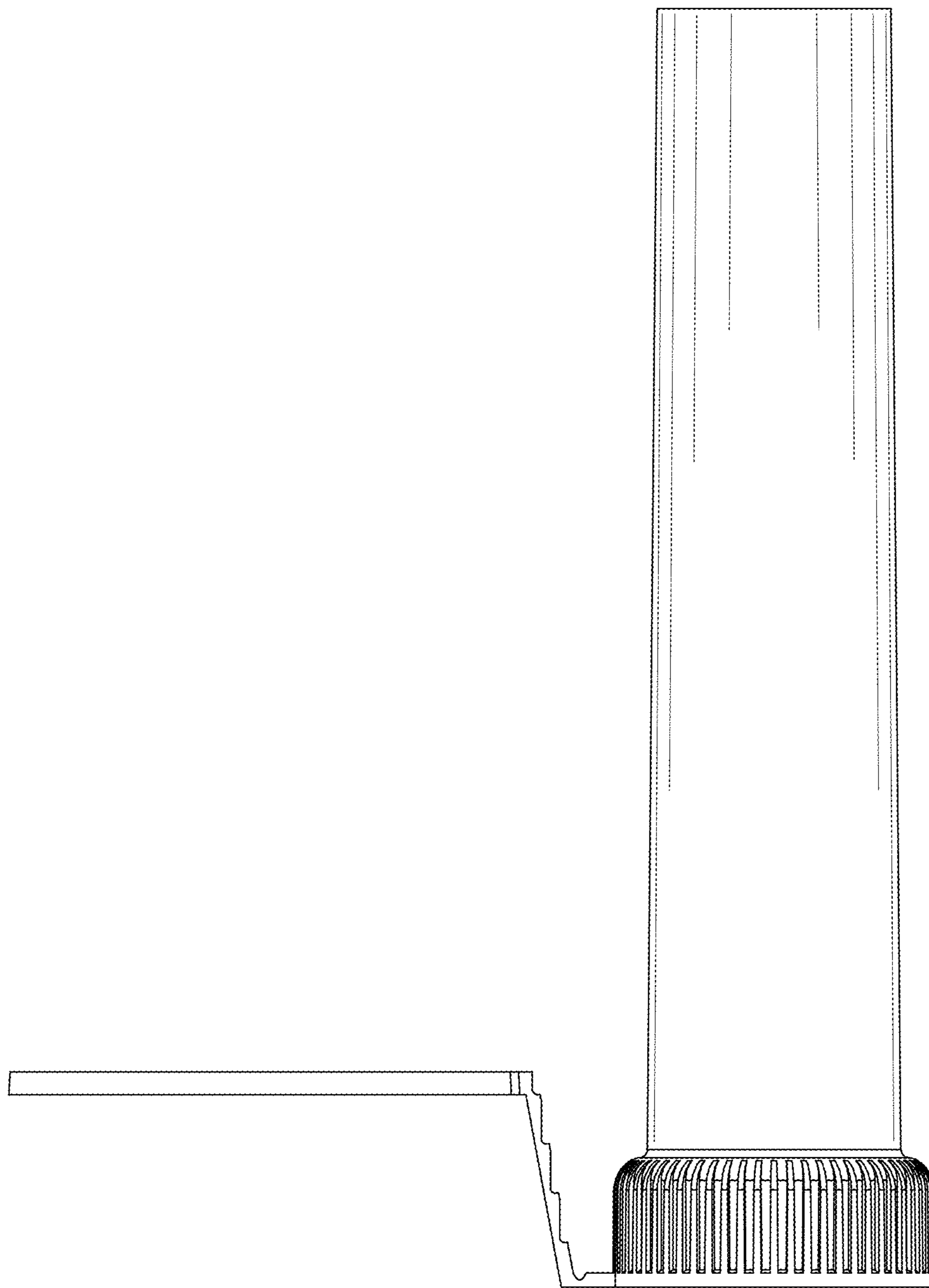
***Fig. 1***



**Fig. 2**

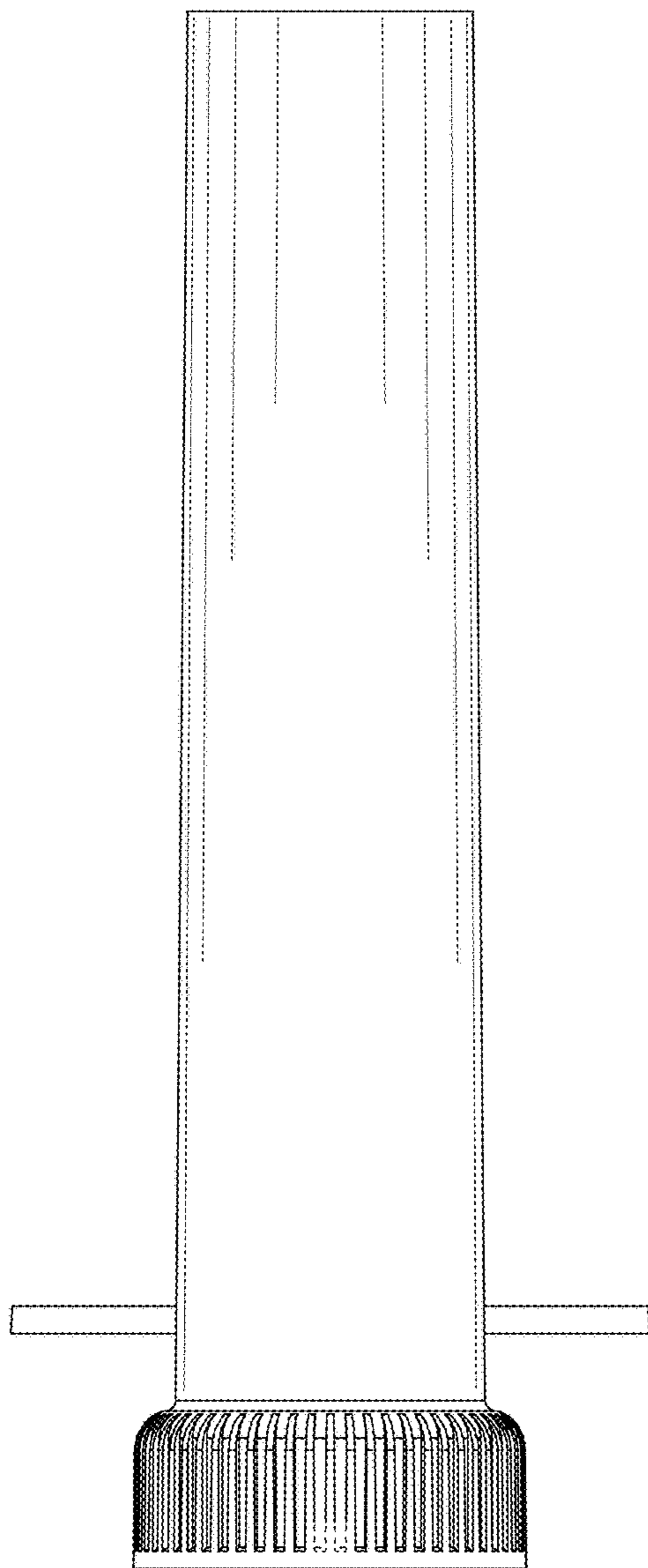


**Fig. 3**

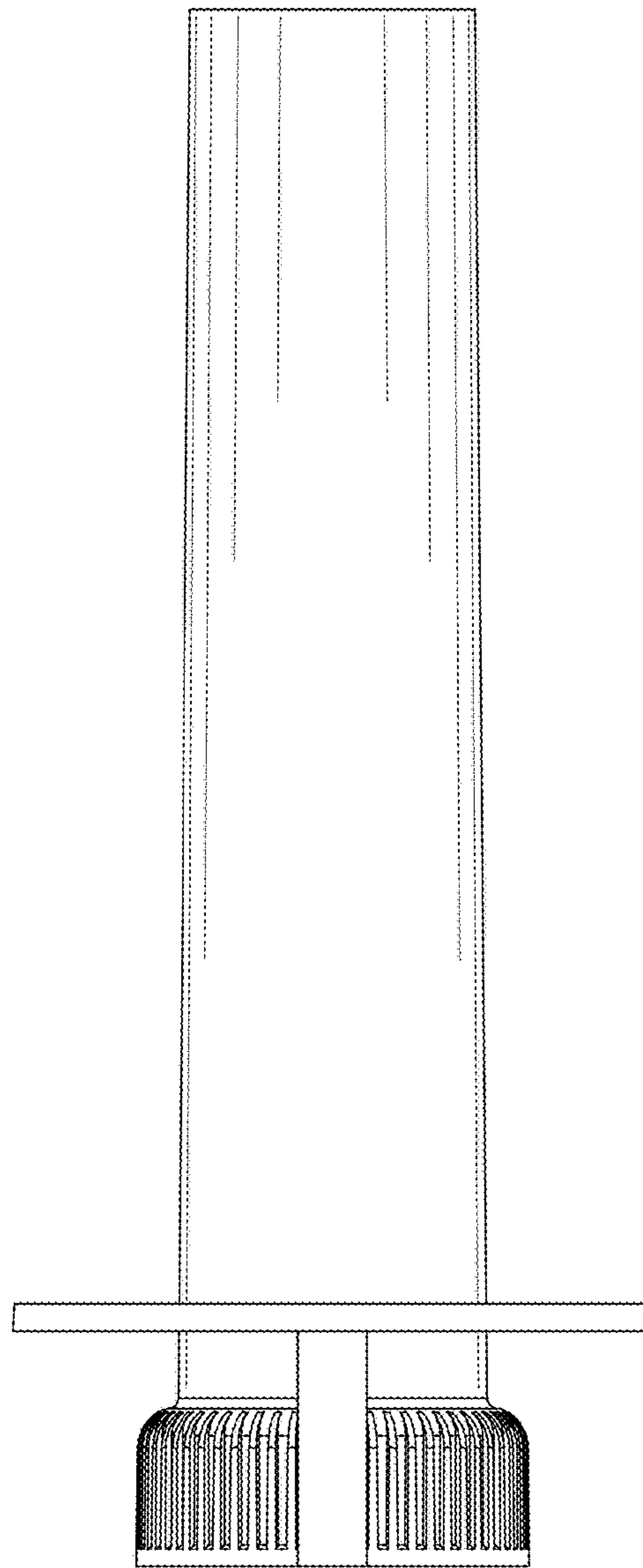


**Fig. 4**

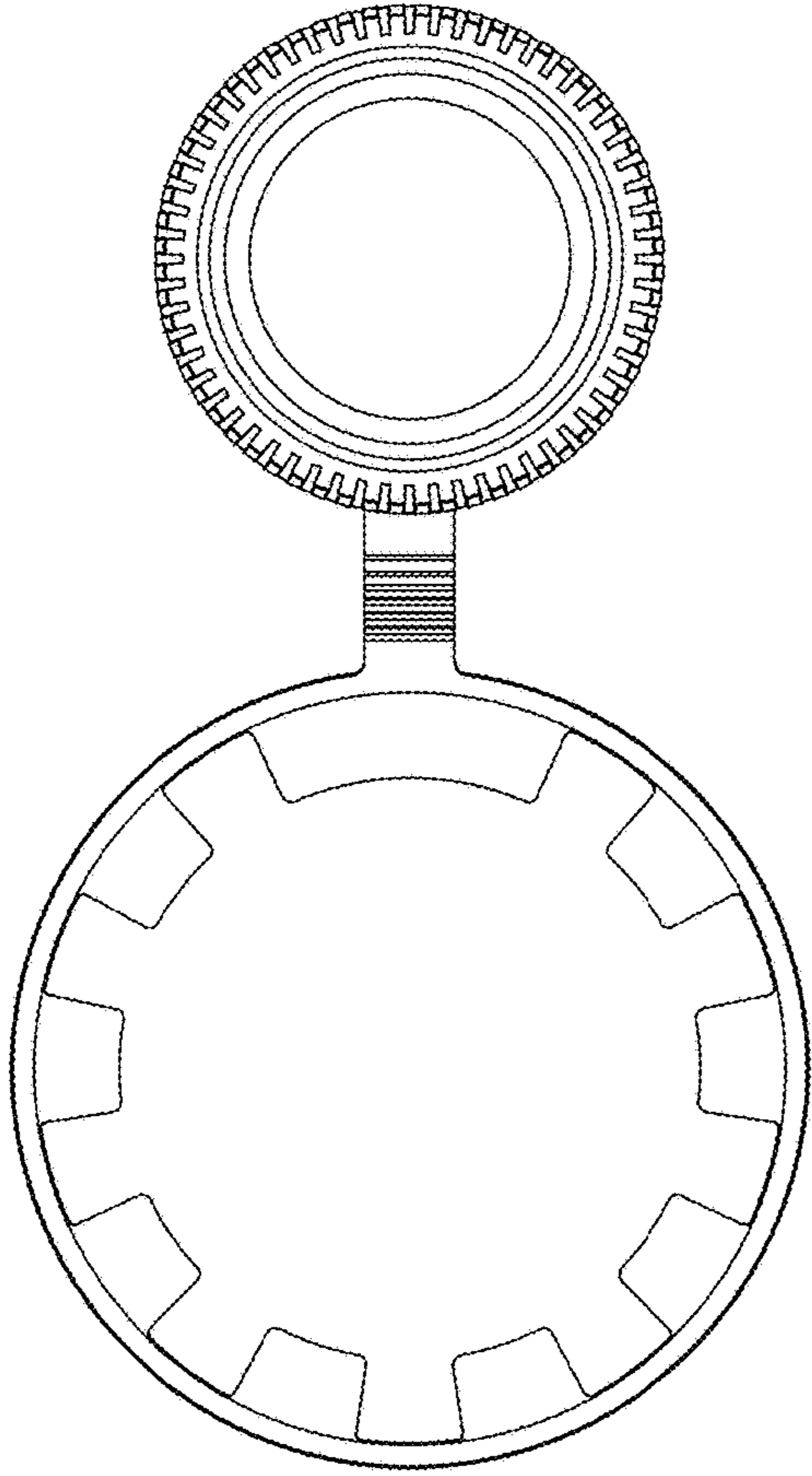




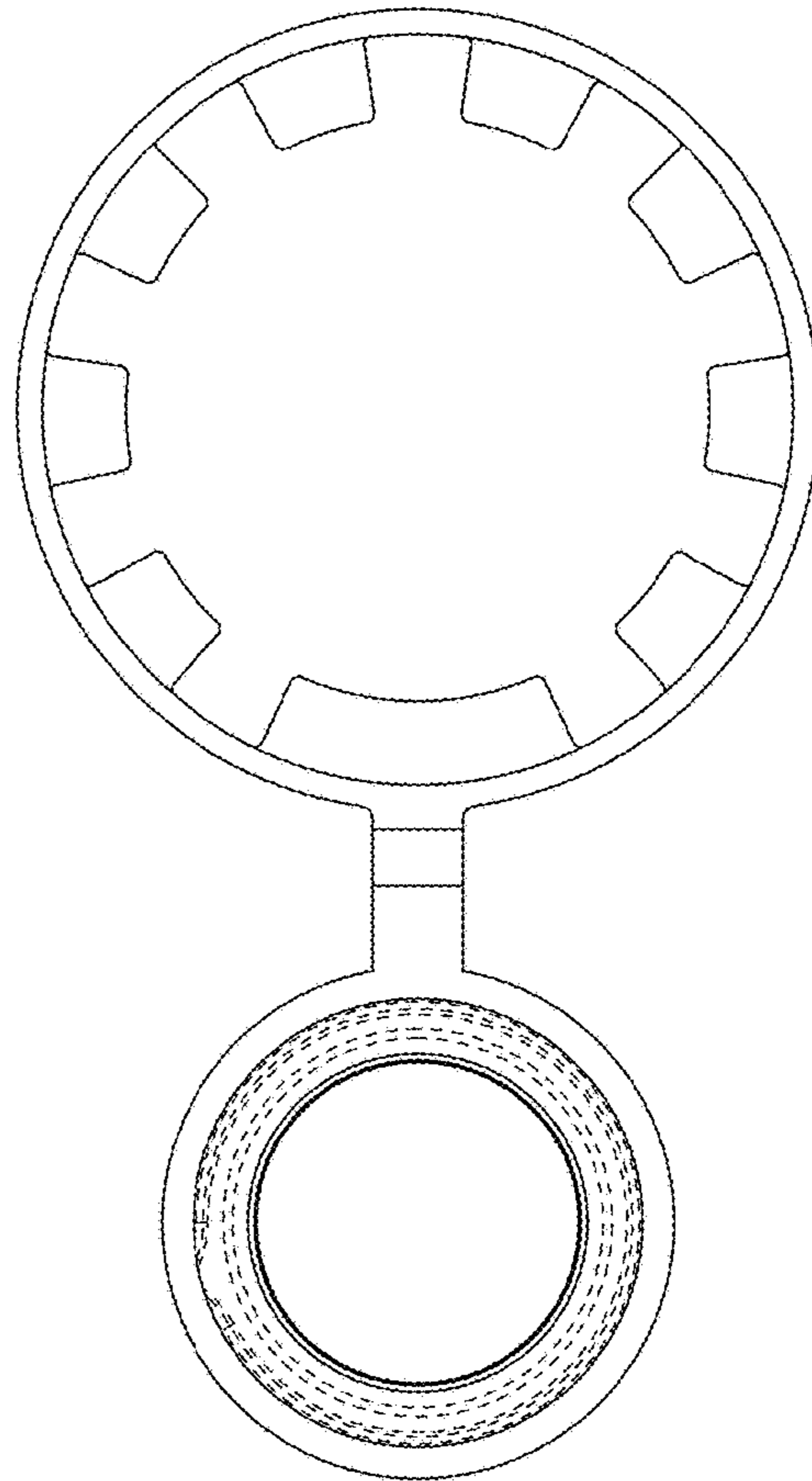
**Fig. 5**



**Fig. 6**



**Fig. 7**



**Fig. 8**