



US00D845718S

(12) **United States Design Patent** (10) **Patent No.:** **US D845,718 S**
Vargo (45) **Date of Patent:** **** Apr. 16, 2019**

(54) **INSULATING BEVERAGE COZY WITH A MULTI-POSITIONAL COLLAR**

(71) Applicant: **Brian J. Vargo**, Lewisburg, PA (US)

(72) Inventor: **Brian J. Vargo**, Lewisburg, PA (US)

(**) Term: **15 Years**

(21) Appl. No.: **29/588,439**

(22) Filed: **Dec. 20, 2016**

(51) **LOC (11) Cl.** **07-01**

(52) **U.S. Cl.**
USPC **D7/608**

(58) **Field of Classification Search**
USPC D7/603-608, 619.1-625

(Continued)

(56) **References Cited**

U.S. PATENT DOCUMENTS

D266,391 S * 10/1982 Jordon D7/608
D282,234 S * 1/1986 Henderson D7/608

(Continued)

Primary Examiner — Terry A Wallace

(74) *Attorney, Agent, or Firm* — Sonya C. Harris;
Invention Services

(57) **CLAIM**

The ornamental design for an insulating beverage cozy with a multi-positional collar, as shown and described.

DESCRIPTION

FIG. 1 is a top front perspective view of an insulating beverage cozy with a multi-positional collar, showing my new design, with the collar in an open position;

FIG. 2 is a top plan view of my design, with the collar in an open position;

FIG. 3 is a bottom plan view of my design, with the collar in an open position;

FIG. 4 is a front front cross section view thereof, taken along line 4-4 of FIG. 1, illustrating the collar in an open position; FIG. 5 is a front elevational view of my design illustrating the collar in an open position, and the broken lines indicate an exemplary beverage, which is not a part of my design; FIG. 6 is a front cross section view thereof, taken along line 6-6 of FIG. 5;

FIG. 7 is a front elevational view of my design, with the collar in an open position, wherein the broken lines illustrate an exemplary beverage being placed therein;

FIG. 8 is a front cross section view taken along line 8-8 of FIG. 7, wherein the broken lines indicate an exemplary beverage being placed therein;

FIG. 9 is a front elevational view of my design illustrating the collar in a closed position, and the broken lines indicate an exemplary beverage, which is not a part of my design; FIG. 10 is a front elevational view of my design, illustrating the collar in a closed position, the rear being a mirror image thereof;

FIG. 11 is a front cross section view thereof taken along line 11-11 of FIG. 10;

FIG. 12 is a top front perspective view illustrating the collar of my design, illustrating the collar in a closed position;

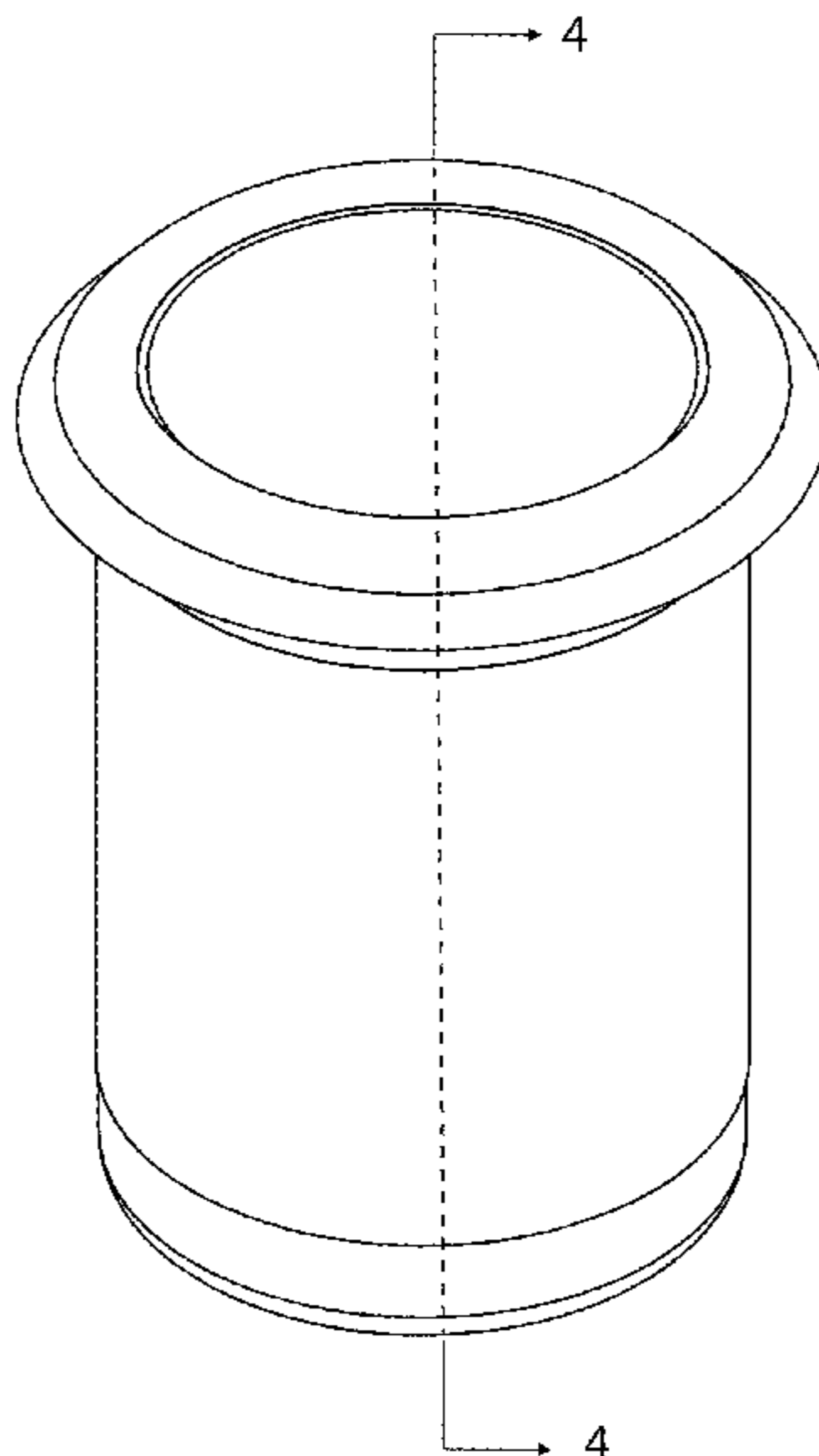
FIG. 13 is a top plan view illustrating the collar of my design, with the collar in a closed position;

FIG. 14 is a front cross section view thereof taken along line 14-14 of FIG. 15, illustrating the collar of my design, with the collar in a closed position; and,

FIG. 15 is a front elevational view of the collar of my design, and the rear view is a mirror image thereof.

The collar is shown separately in FIGS. 12-15 for clarity of illustration. The broken lines are for illustrative purposes only and form no part of the claimed design. In the drawings, the broken lines depict unclaimed subject matter only and form no part of the claimed design.

1 Claim, 9 Drawing Sheets



(58) **Field of Classification Search**

CPC B65D 81/3886; B65D 81/3876; B65D
81/3879; B65D 81/3874; B65D 81/3883;
B65D 23/08; B31D 5/0086; A61J 9/08;
A47G 23/0216; F25D 3/08; F25D 31/007;
A45C 11/20

See application file for complete search history.

(56) **References Cited**

U.S. PATENT DOCUMENTS

4,681,239 A * 7/1987 Manns B65D 81/3879
215/12.1
D301,821 S * 6/1989 Bartolo D7/608
5,279,452 A * 1/1994 Huynh B60N 3/103
108/46
5,467,891 A * 11/1995 Perry B65D 81/3886
220/62.11
5,909,821 A * 6/1999 Guridi B65D 81/3886
220/592
5,969,592 A * 10/1999 Reed A47G 23/0216
206/459.1
5,990,790 A * 11/1999 Lusareta A47G 23/0306
206/459.1
D442,833 S * 5/2001 Shuman D7/608
6,604,649 B1 * 8/2003 Campi B65D 81/3886
220/592.17
2013/0075412 A1 * 3/2013 Schminke B65D 81/3876
220/739

* cited by examiner

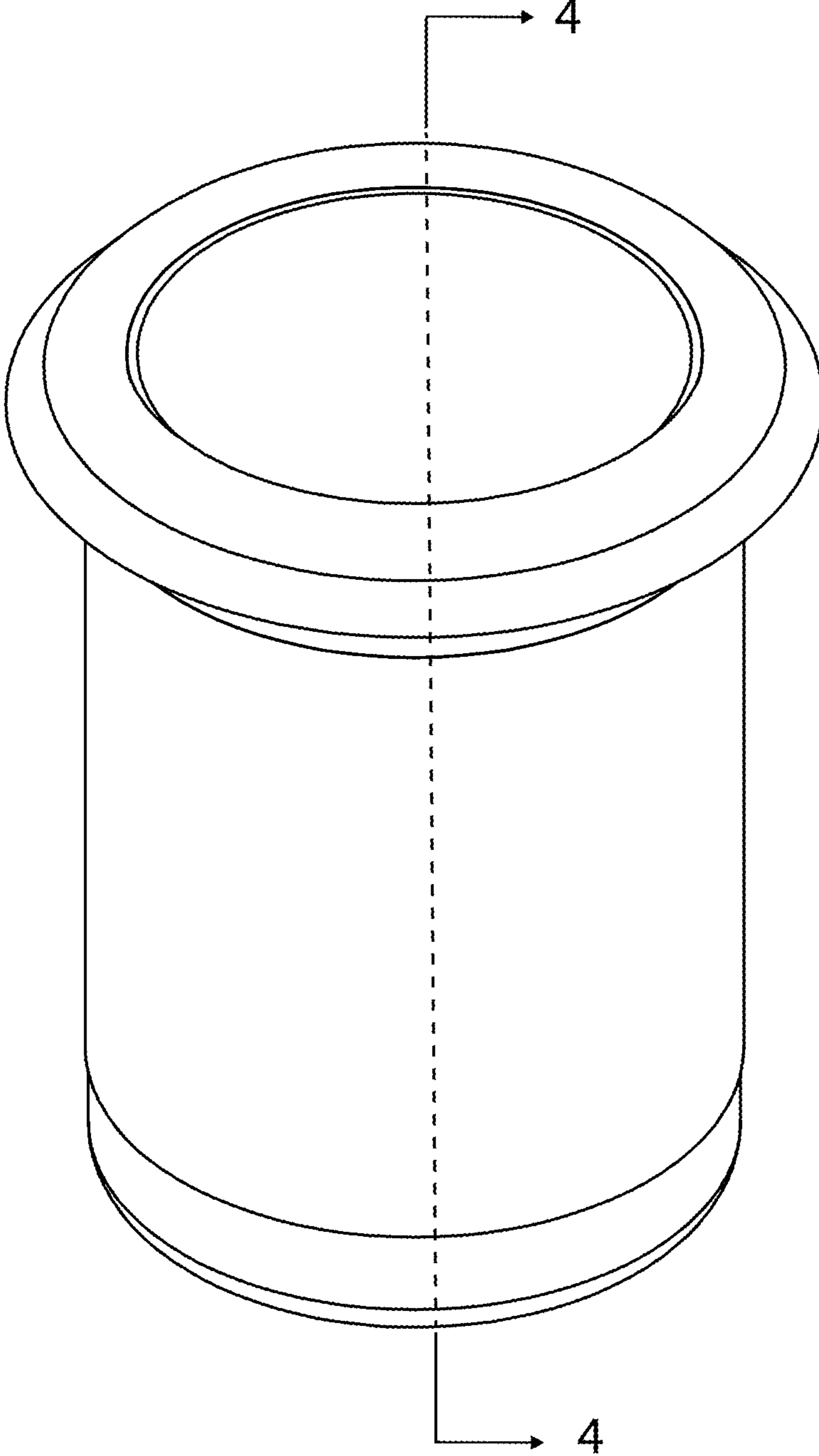


FIG. 1

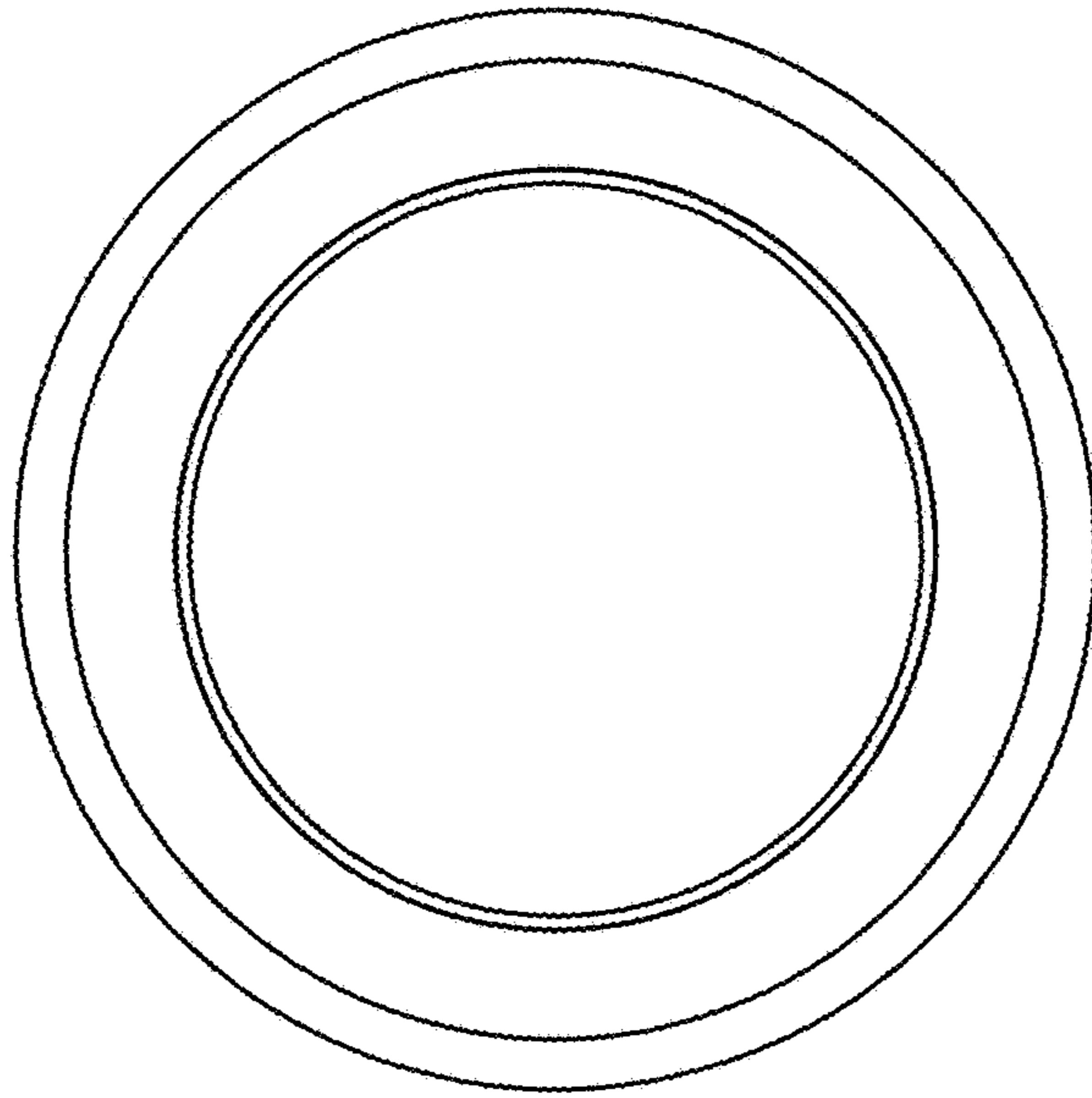


FIG. 2

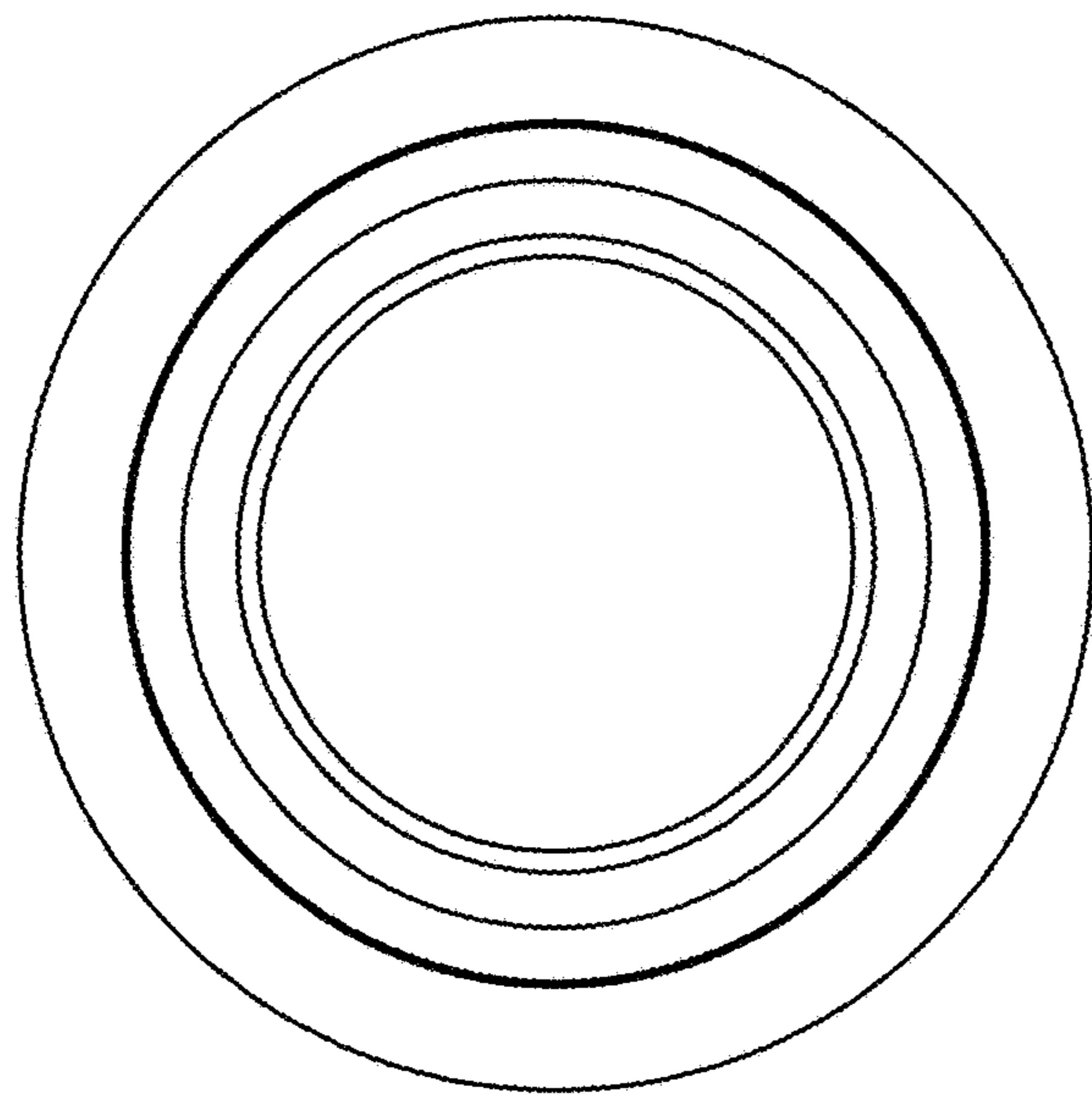


FIG. 3

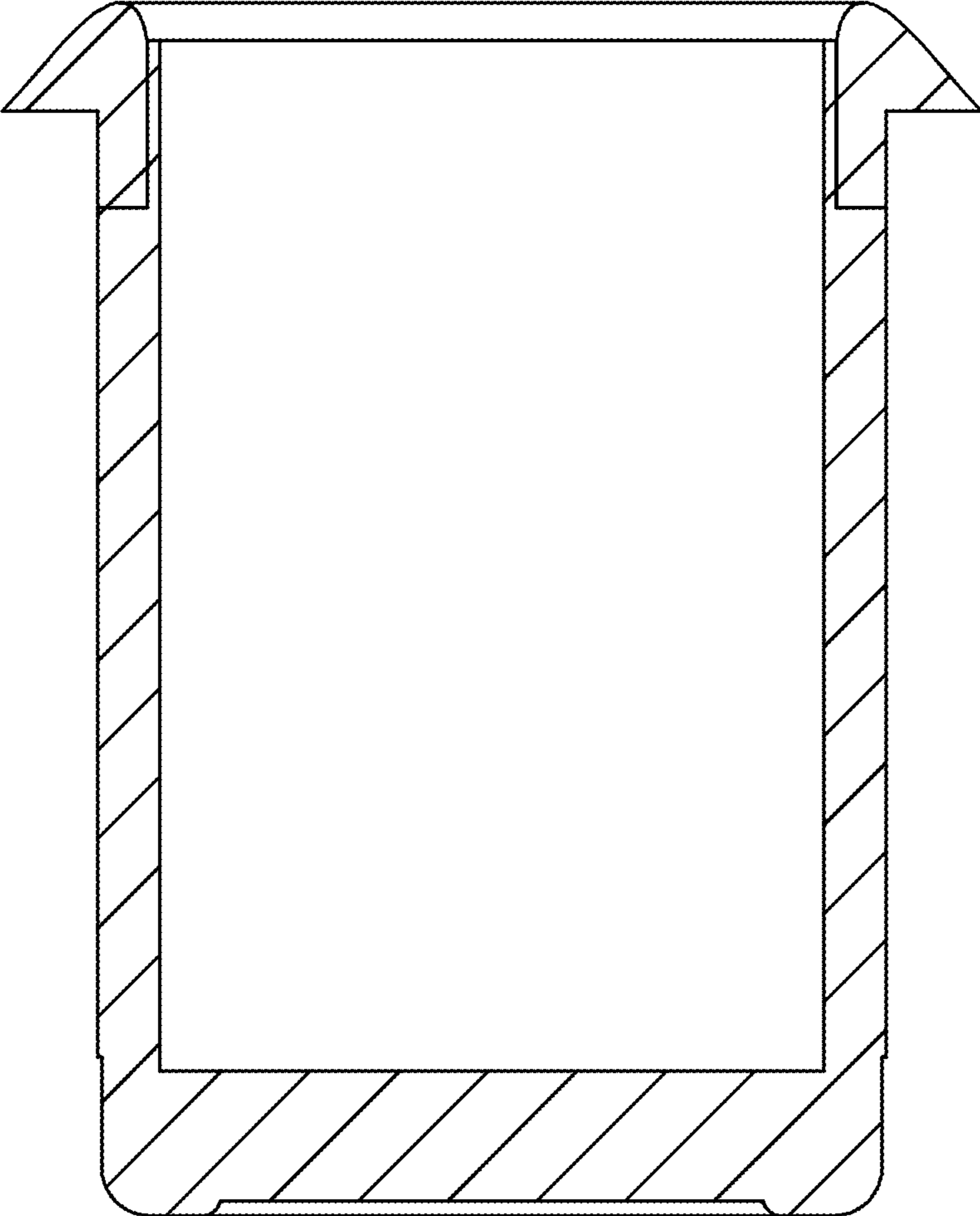


FIG. 4

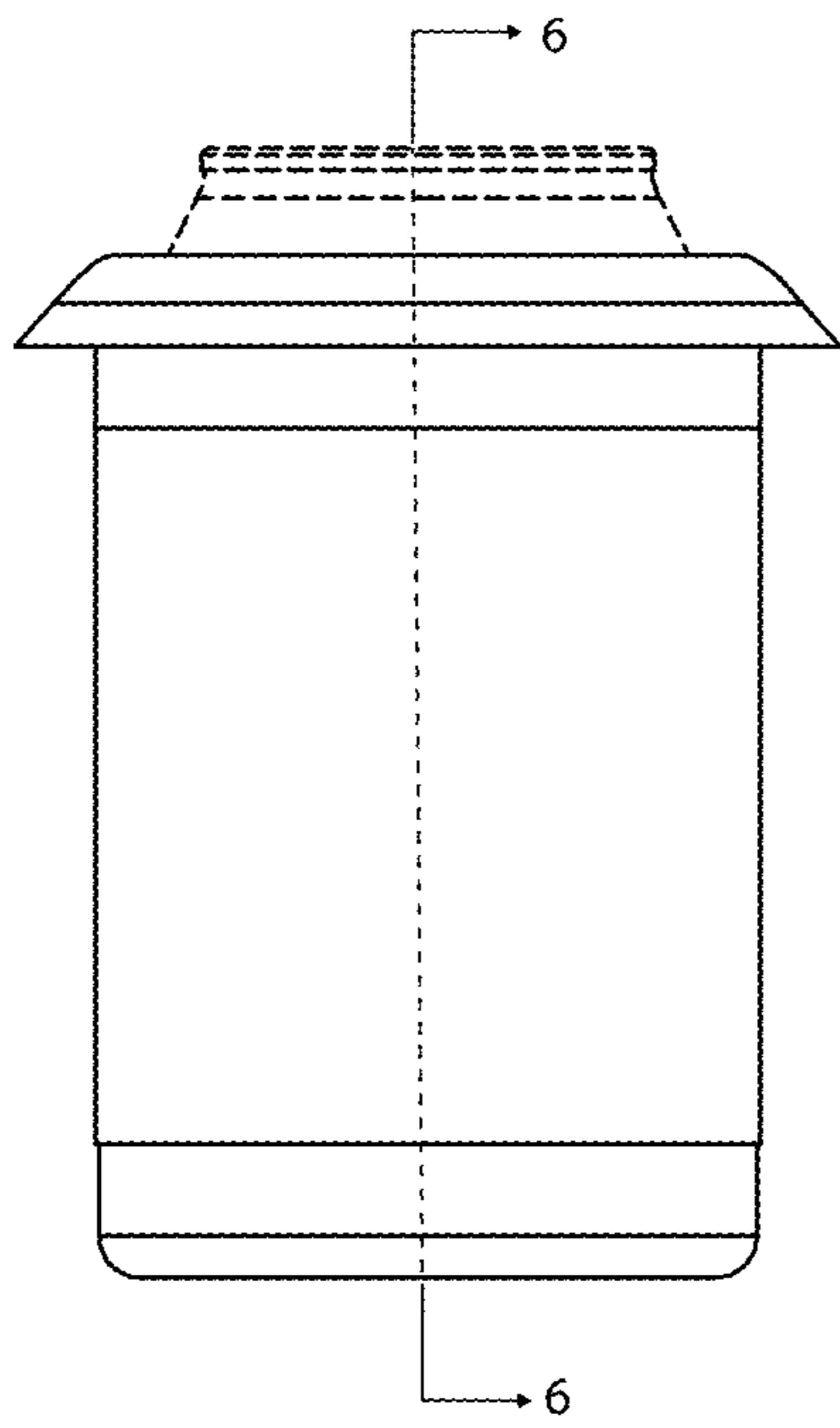


FIG. 5

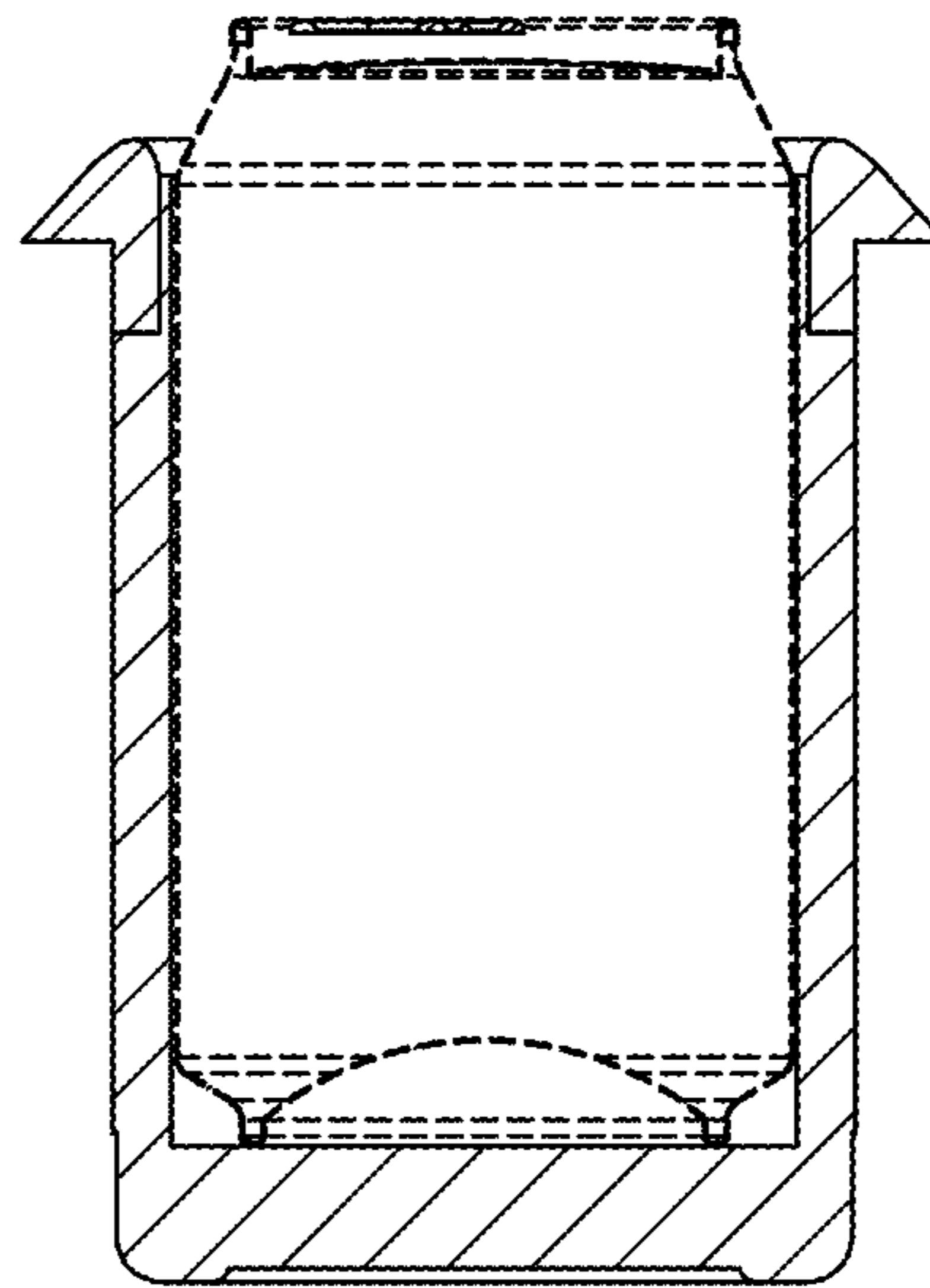


FIG. 6

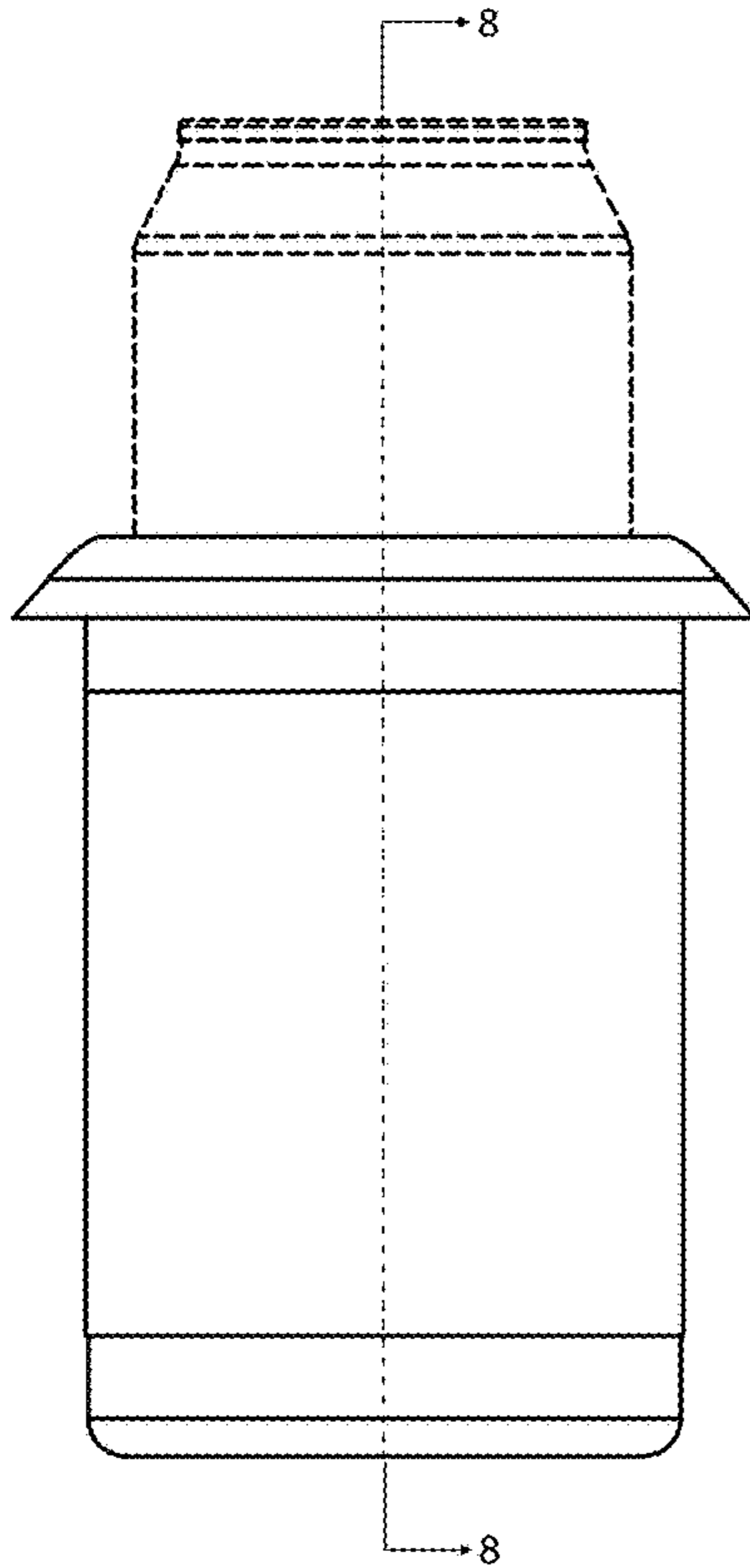


FIG. 7

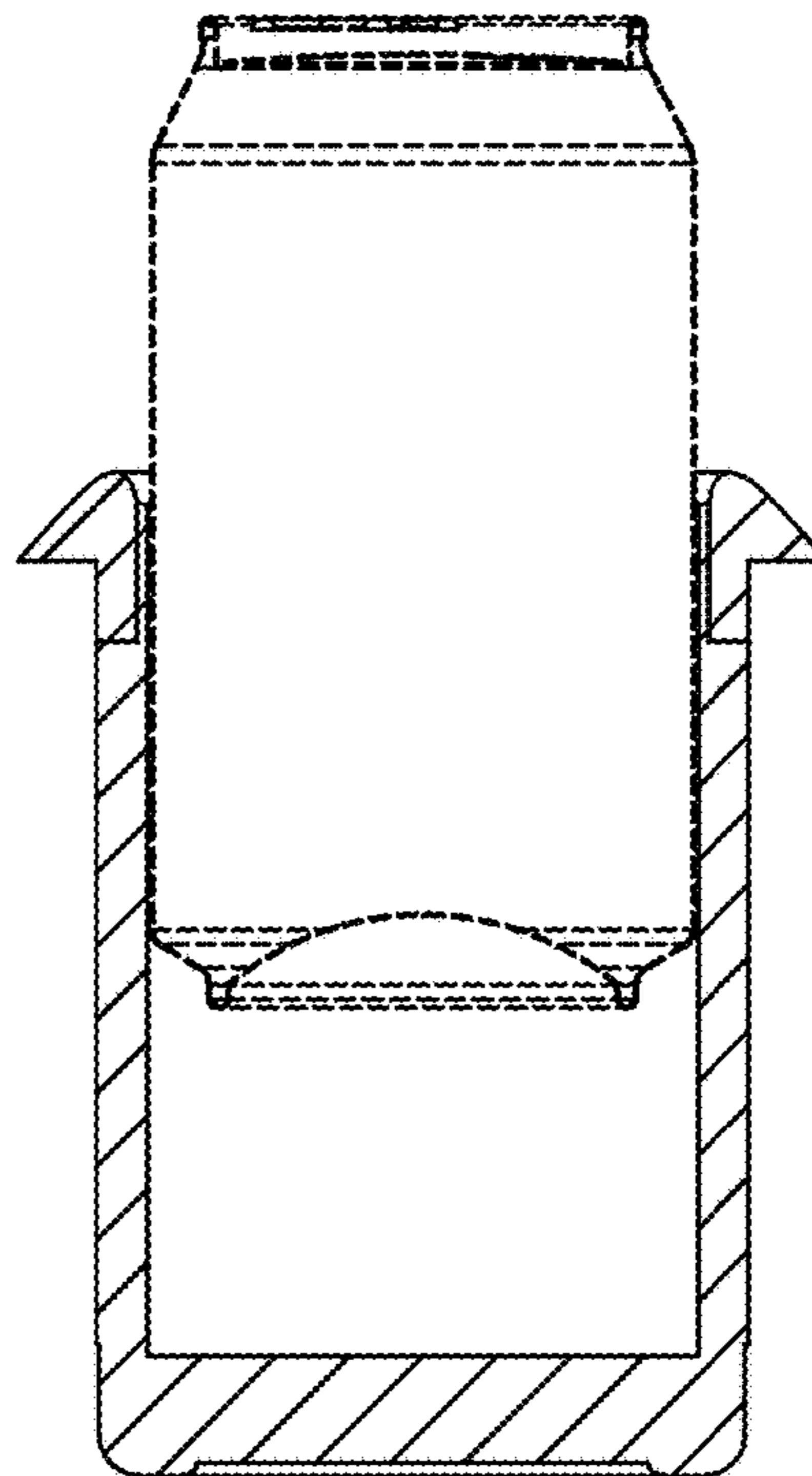


FIG. 8

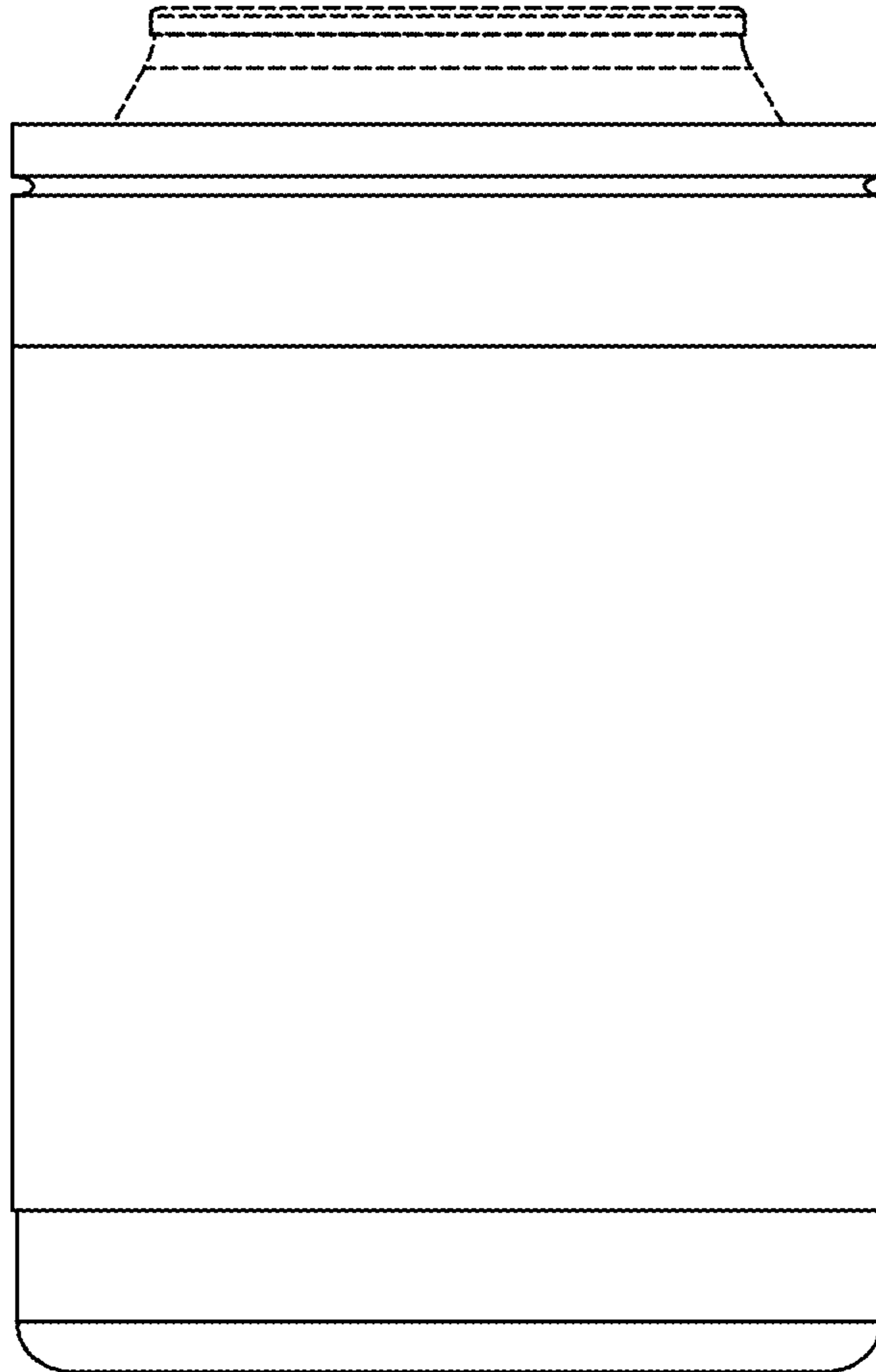


FIG. 9

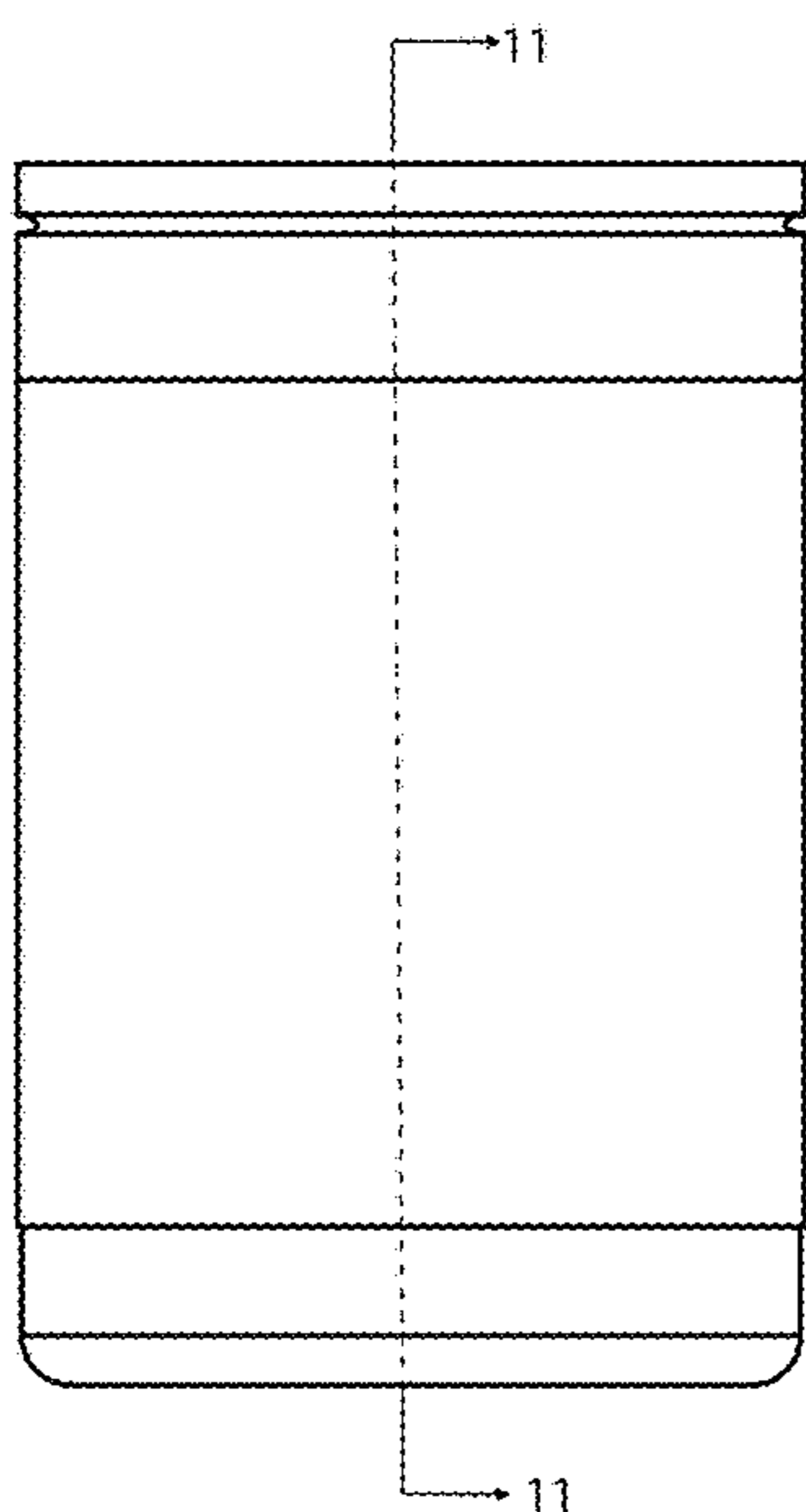


FIG. 10

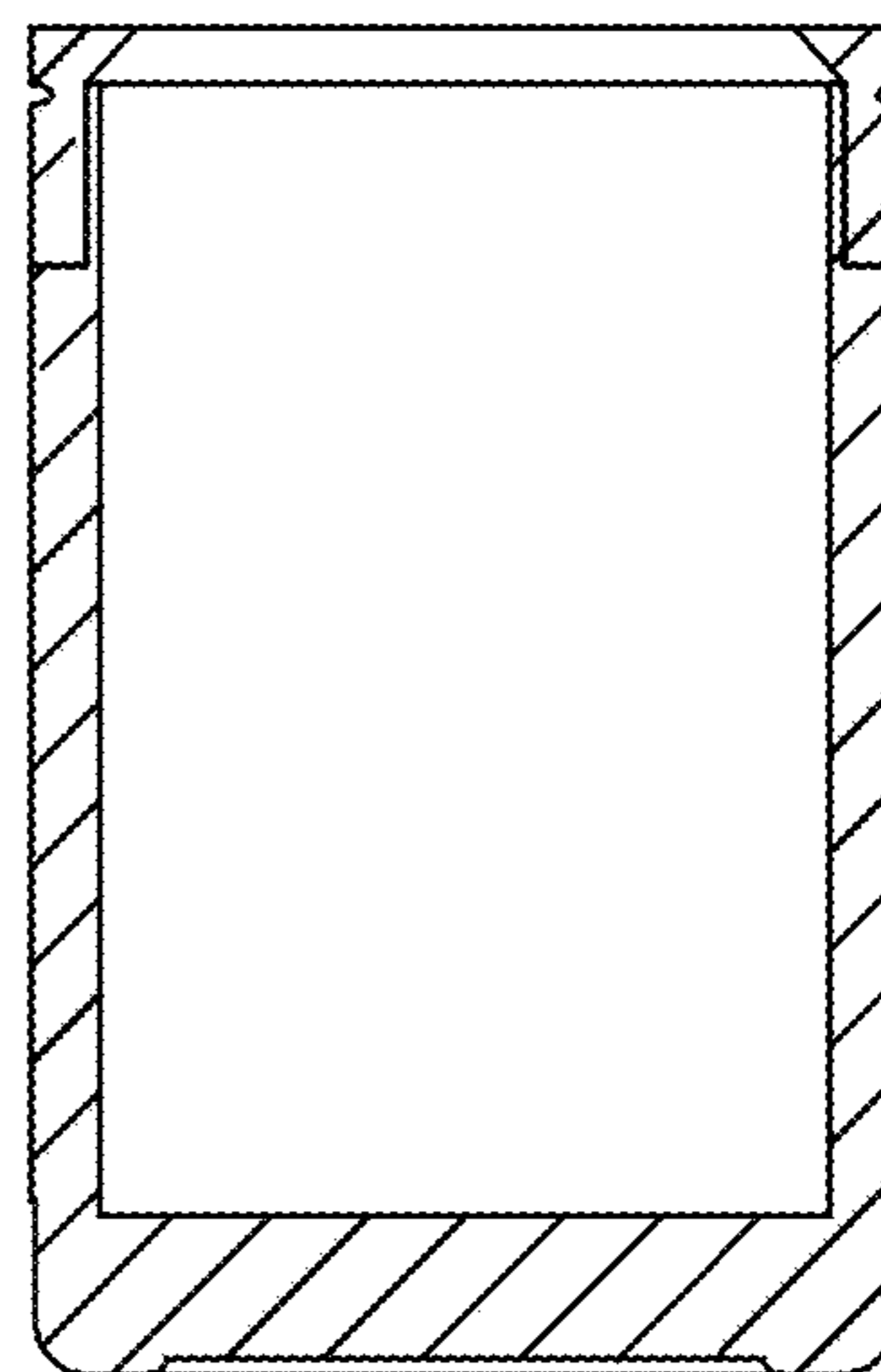


FIG. 11

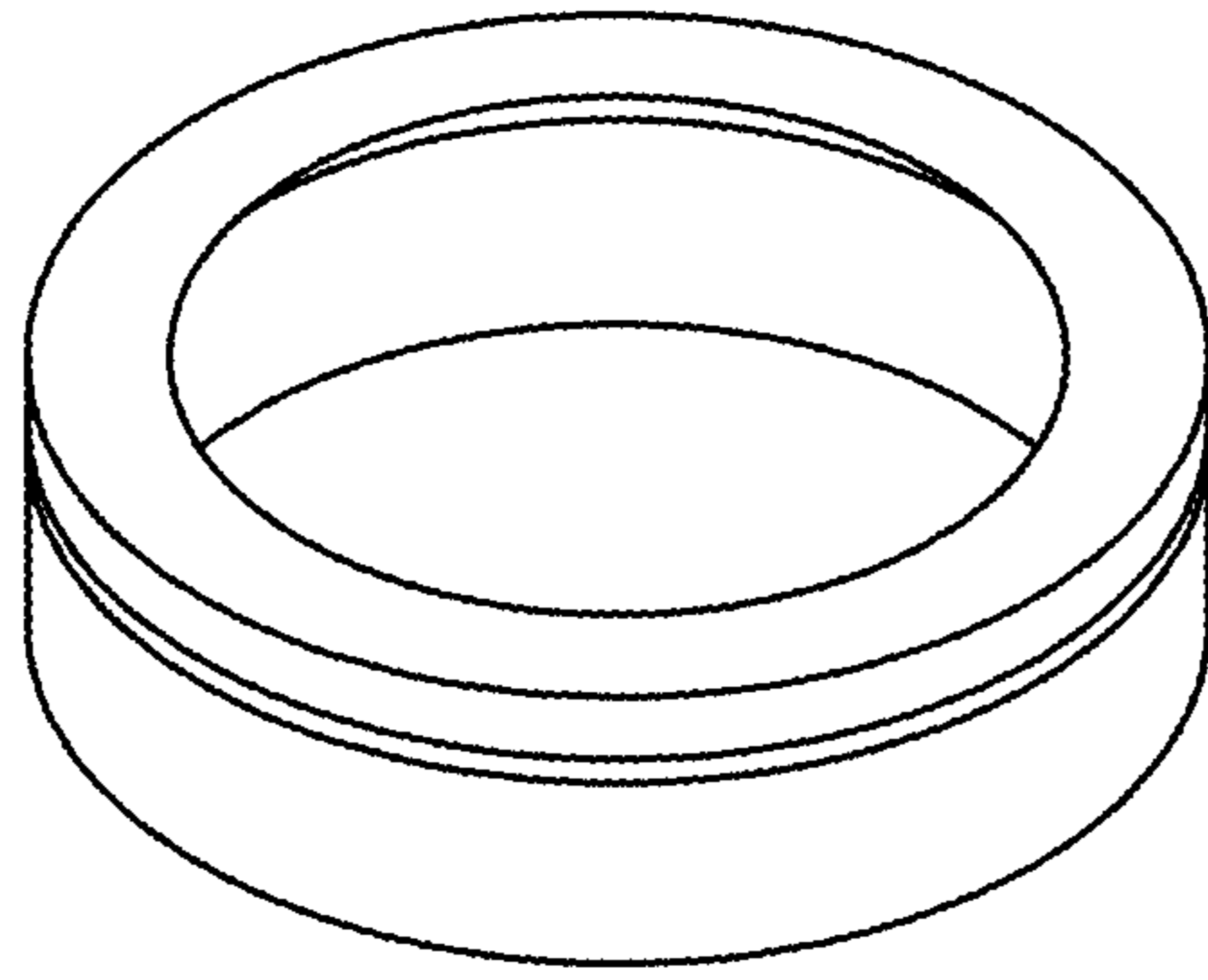


FIG. 12

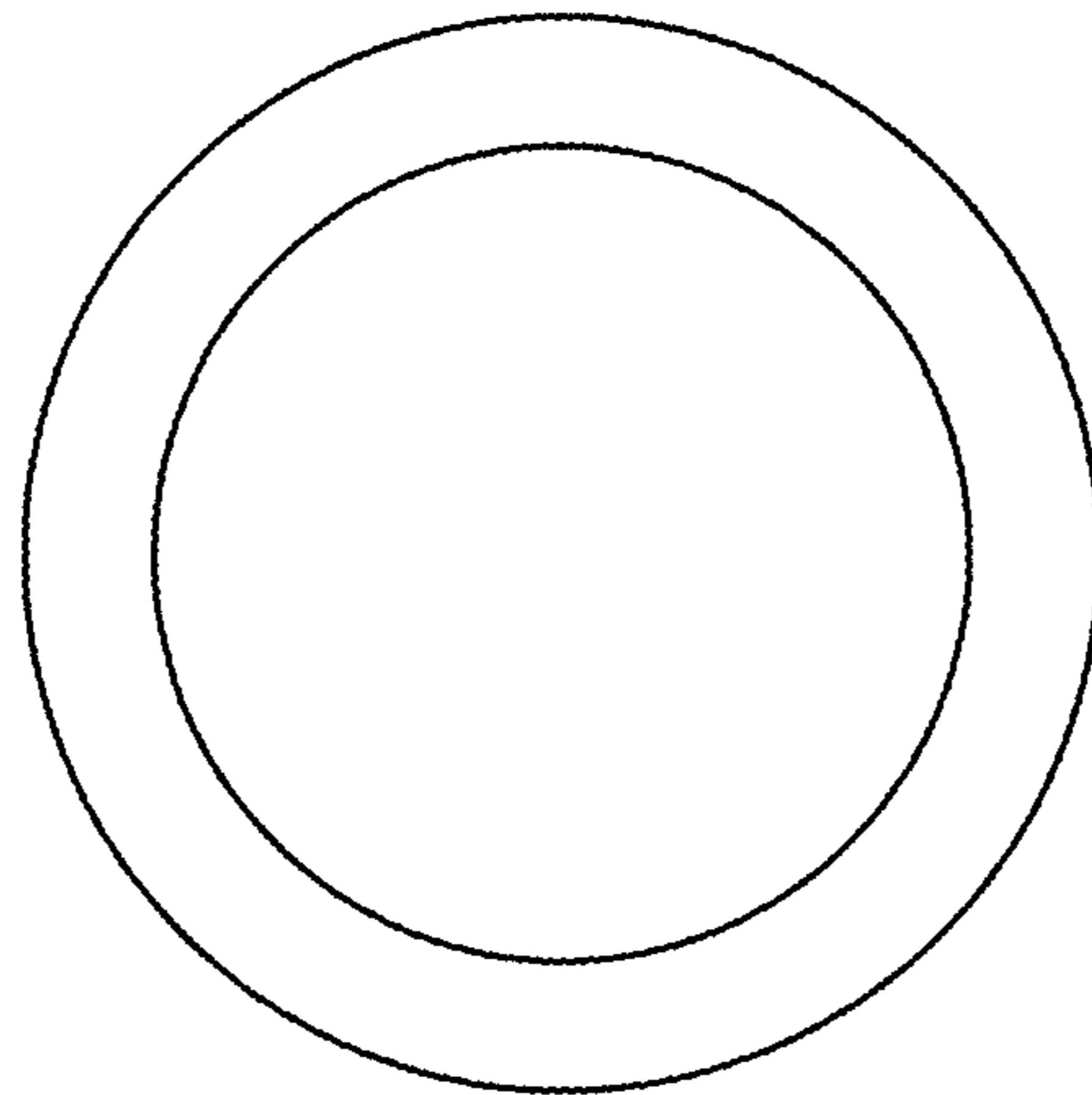


FIG. 13

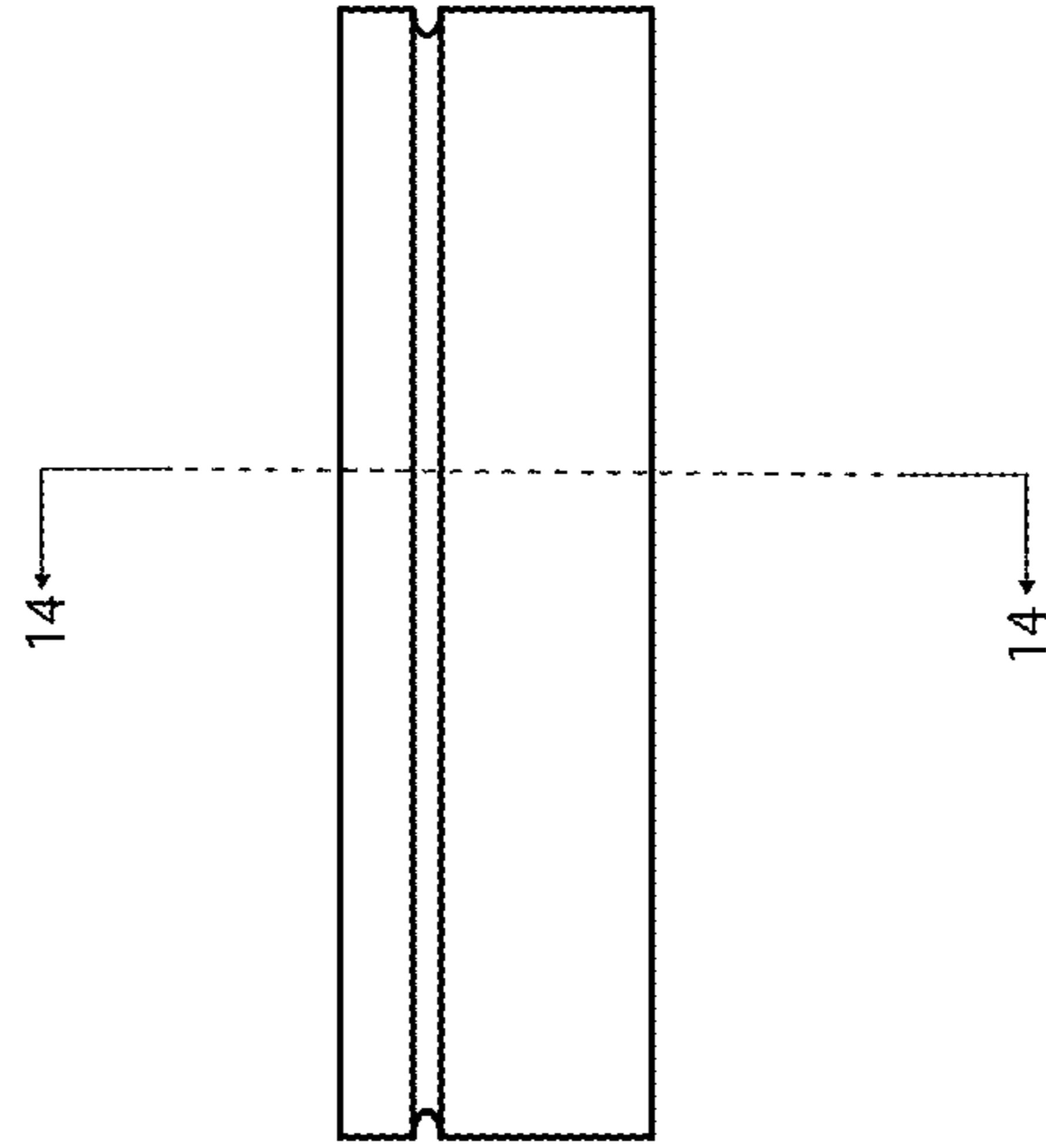


FIG. 14

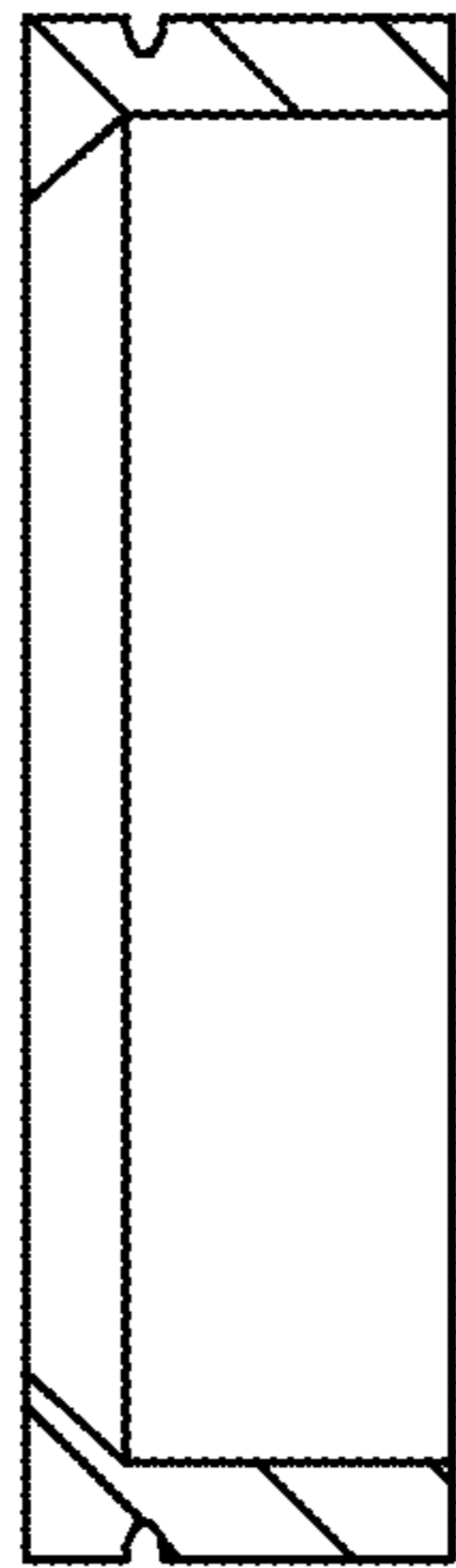


FIG. 15