



US00D845717S

(12) **United States Design Patent** (10) **Patent No.:** **US D845,717 S**
Cavenagh et al. (45) **Date of Patent:** **** Apr. 16, 2019**

(54) **INSULATED CONTAINER**
(71) Applicant: **OTTER PRODUCTS, LLC**, Fort Collins, CO (US)

4,964,528 A 10/1990 Wagoner
5,052,185 A 10/1991 Spahr
D325,323 S 4/1992 Kahl
(Continued)

(72) Inventors: **Ryan J. Cavenagh**, Fort Collins, CO (US); **Todd Eichinger**, Fort Collins, CO (US); **W. Travis Smith**, Fort Collins, CO (US)

FOREIGN PATENT DOCUMENTS

EP 3061704 A1 8/2016
WO 2004029526 A1 4/2004
(Continued)

(73) Assignee: **Otter Products, LLC**, Fort Collins, CO (US)

OTHER PUBLICATIONS

(**) Term: **15 Years**

Pelican Consumer, Coolers—Hunting, Fishing, Camping, downloaded from <http://www.pelican.com/us/en/products/coolers> May 8, 2017, 2 pages.

(21) Appl. No.: **29/634,057**

(Continued)

(22) Filed: **Jan. 18, 2018**

Primary Examiner — Terry A Wallace

(51) **LOC (11) Cl.** **07-01**

(52) **U.S. Cl.**
USPC **D7/605**

(57) **CLAIM**

(58) **Field of Classification Search**
USPC D7/603–607, 629, 630; D3/272–274, D3/203.1–203.8, 201, 202–206
CPC .. A45C 11/20; A45C 9/00; A45C 5/14; A45C 5/03; F25D 3/08; F25D 3/06; F25D 3/14; F25D 3/12; F25D 2331/804; A47B 77/08; F25B 19/00; A47J 41/022; A47G 19/2288
See application file for complete search history.

The ornamental design for an insulated container, as shown and described.

DESCRIPTION

(56) **References Cited**

U.S. PATENT DOCUMENTS

1,468,563 A 9/1923 Girard
2,627,993 A 2/1953 Hafner
3,395,550 A 8/1968 Dungan
3,850,398 A 11/1974 Kantor
3,868,829 A 3/1975 Mann et al.
3,939,986 A 2/1976 Pierro
D275,822 S 10/1984 Gatland et al.
4,515,421 A 5/1985 Steffes
4,560,128 A 12/1985 Willeby et al.
RE32,740 E 8/1988 Steffes

FIG. 1 is a front perspective view of an insulated container showing our new design;
FIG. 2 is a front view thereof;
FIG. 3 is a rear view thereof;
FIG. 4 is a left view thereof;
FIG. 5 is a right view thereof;
FIG. 6 is a top view thereof; and,
FIG. 7 is a bottom view thereof.

The dot-dash broken line represents a boundary of the claimed design. The dash-dash broken lines throughout the drawing figures depict portions of an insulated container that form no part of the claimed design. The broken lines and unshaded surfaces bounded by broken lines form no part of the claimed design.

1 Claim, 7 Drawing Sheets



(56)

References Cited

U.S. PATENT DOCUMENTS

D330,488 S * 10/1992 Daniels D7/605
 5,285,656 A 2/1994 Peters
 D353,082 S 12/1994 Keven
 D354,419 S 1/1995 Kahl et al.
 5,509,279 A 4/1996 Brown et al.
 5,816,432 A 10/1998 Hammen et al.
 5,845,515 A 12/1998 Nelson
 D419,297 S 1/2000 Richardson et al.
 D419,767 S 2/2000 Richardson et al.
 D419,768 S 2/2000 Richardson et al.
 6,039,202 A 3/2000 Olstad et al.
 D435,196 S 12/2000 Gregor et al.
 6,185,860 B1 2/2001 Thibodeaux
 6,244,458 B1 6/2001 Frysinger et al.
 D444,683 S 7/2001 Corrion
 6,276,579 B1 8/2001 DeLoach
 D451,765 S 12/2001 Israel et al.
 6,328,179 B1 12/2001 Conrado et al.
 6,409,066 B1 6/2002 Schneider et al.
 D465,134 S 11/2002 Joss
 D472,384 S 4/2003 Richardson
 6,751,963 B2 6/2004 Navedo et al.
 6,895,778 B1 5/2005 Ackerman
 D513,123 S 12/2005 Richardson et al.
 D514,808 S 2/2006 Morine et al.
 D516,807 S 3/2006 Richardson et al.
 D527,953 S 9/2006 Gal
 7,140,507 B2 11/2006 Maldonado et al.
 7,296,433 B2 11/2007 Uihlein et al.
 D635,832 S 4/2011 Bergin
 D637,044 S * 5/2011 Davis D7/605
 8,065,889 B1 11/2011 Silberman
 8,246,190 B2 8/2012 Boiteau et al.
 D712,720 S 9/2014 Seiders
 D712,721 S 9/2014 Seiders
 D712,722 S 9/2014 Seiders
 D712,723 S 9/2014 Seiders
 D714,125 S 9/2014 Seiders
 8,910,819 B2 12/2014 Seiders
 D722,474 S 2/2015 Seiders
 D722,475 S 2/2015 Seiders
 D732,348 S 6/2015 Seiders et al.
 D732,349 S 6/2015 Seiders et al.
 D732,350 S 6/2015 Seiders et al.
 D732,899 S 6/2015 Seiders et al.
 9,139,352 B2 9/2015 Seiders et al.
 9,187,232 B2 11/2015 Seiders
 D752,347 S 3/2016 Seiders et al.
 9,316,428 B2 4/2016 Mech
 9,389,010 B1 7/2016 Booker
 9,446,847 B2 9/2016 Richardson et al.
 9,500,400 B2 11/2016 Smith
 9,834,342 B2 4/2017 Seiders
 D786,559 S 5/2017 Seiders et al.
 D786,560 S 5/2017 Seiders et al.
 D786,561 S 5/2017 Seiders et al.
 D786,562 S 5/2017 Seiders et al.
 D787,187 S 5/2017 Seiders et al.
 D797,454 S 9/2017 Seiders et al.
 D797,455 S 9/2017 Seiders et al.
 D798,670 S 10/2017 Seiders et al.
 D799,276 S 10/2017 Seiders et al.
 D799,277 S 10/2017 Seiders et al.
 D799,905 S 10/2017 Seiders et al.
 D801,123 S 10/2017 Seiders et al.
 9,796,517 B2 10/2017 Seiders et al.
 D802,373 S 11/2017 Seiders et al.
 D804,905 S 12/2017 Seiders et al.
 D805,851 S 12/2017 Seiders et al.
 D821,165 S 6/2018 Guerdrum et al.
 D823,064 S 7/2018 Eichinger et al.
 D823,065 S 7/2018 Eichinger et al.
 D823,066 S 7/2018 Eichinger et al.
 D824,730 S 8/2018 Guerdrum et al.
 2003/0038138 A1 2/2003 Komurke

2003/0141424 A1 7/2003 Thomas
 2004/0178208 A1 9/2004 Leba et al.
 2004/0238543 A1 12/2004 Askew
 2004/0262319 A1 12/2004 Fisher
 2005/0263527 A1 12/2005 Maldonado et al.
 2005/0263528 A1 12/2005 Maldonado et al.
 2005/0279123 A1 12/2005 Maldonado et al.
 2005/0279124 A1 12/2005 Maldonado
 2010/0287976 A1 11/2010 Roof et al.
 2011/0056233 A1 3/2011 Flaker et al.
 2011/0182532 A1 7/2011 Baltus
 2011/0203297 A1 8/2011 Oberweis
 2011/0220531 A1 9/2011 Meether et al.
 2011/0289958 A1 12/2011 White et al.
 2014/0248003 A1 9/2014 Mogil et al.
 2015/0210444 A1 7/2015 Mercado et al.
 2016/0101924 A1 4/2016 Mitchell et al.
 2016/0257479 A1 9/2016 Seiders et al.
 2016/0279840 A1 9/2016 French et al.
 2017/0023289 A1 1/2017 Anderson
 2017/0073146 A1 3/2017 Kuhn et al.
 2017/0073147 A1 3/2017 Kuhn
 2017/0305639 A1 10/2017 Kuhn et al.
 2018/0186547 A1 7/2018 Morine et al.
 2018/0186550 A1 7/2018 Morine et al.
 2018/0290814 A1 10/2018 Smith

FOREIGN PATENT DOCUMENTS

WO 2006007266 A2 1/2006
 WO 2006009537 A1 1/2006
 WO 2014105962 A1 7/2014
 WO 2016154105 A1 9/2016

OTHER PUBLICATIONS

RTIC, Cooler Accessories, downloaded May 8, 2017 from <http://www.rticcoolers.com/shop/coolers/accessories>, 14 pages.
 YETI Coolers, Tundra Cooler Divider, downloaded from www.yeti.com/tundra-dividers May 8, 2017, 4 pages.
 YETI Coolers, Tundra Ice Chests, downloaded from <http://yeti.com/tundra> May 8, 2017, 7 pages.
 YETI Coolers, YETI Accessories & Parts, downloaded from <http://yeti.com/accessories> May 8, 2017, 5 pages.
 Digital Trends, “The new Venture coolers from Otterbox . . .”, Posted May 9, 2017. (<https://www.digitaltrends.com/outdoors/otterbox-venture-coolers/>).
 Ice Chest Guide, “Top 10 Best Soft Cooler Reviews and Buying Guide for 2018”, downloaded from <http://www.icechestguide.com/top-10-best-soft-cooler-reviews-and-buying-guide.html> Jan. 25, 2018, 12 pages.
 OtterBox, “Rugged Venture Coolers”, Accessed Jan. 16, 2018. (<https://www.otterbox.com/en-us/venture-coolers.html>).
 Pelican Products, “70QT Cooler”, Accessed Jan. 16, 2018. (<http://www.pelican.com/us/en/product/outdoor-heavy-dutycoolers/elite-cooler/cooler/70QT/>).
 Polar Bear Coolers, “24 Pack Eclipse Cooler,” downloaded from <http://www.polarbearcoolers.com/product/PB327.html> Jan. 30, 2018, 6 pages.
 Polar Bear Coolers, “Eclipse Backpack Cooler,” downloaded from <http://www.polarbearcoolers.com/product/PB397.html> Jan. 29, 2018, 4 pages.
 REI CO-OP, “Soft-sided Coolers”, downloaded from <https://www.rei.com/c/soft-sided-coolers?r-c&origin+web&ir=category%3Asoft-sided-coolers?page=1> Jan. 25, 2018, 6 pages.
 RTIC, “RTIC Soft Pack Coolers,” downloaded from <https://www.rticcoolers.com/shop/coolers/softpak> Jan. 25, 2018, 16 pages.
 The Cooler Box, “Cordova Coolers vs Yeti—Is This New Cooler Better Than Yeti?”, Published Oct. 24, 2016. (<http://thecoolerbox.com/cordova-coolers-vs-yeti/>).
 Yeti Coolers, “Hopper Soft Sided Portable Coolers,” downloaded from <https://www.yeti.com/soft-coolers> Jan. 25, 2018, 6 pages.

* cited by examiner



FIG. 1

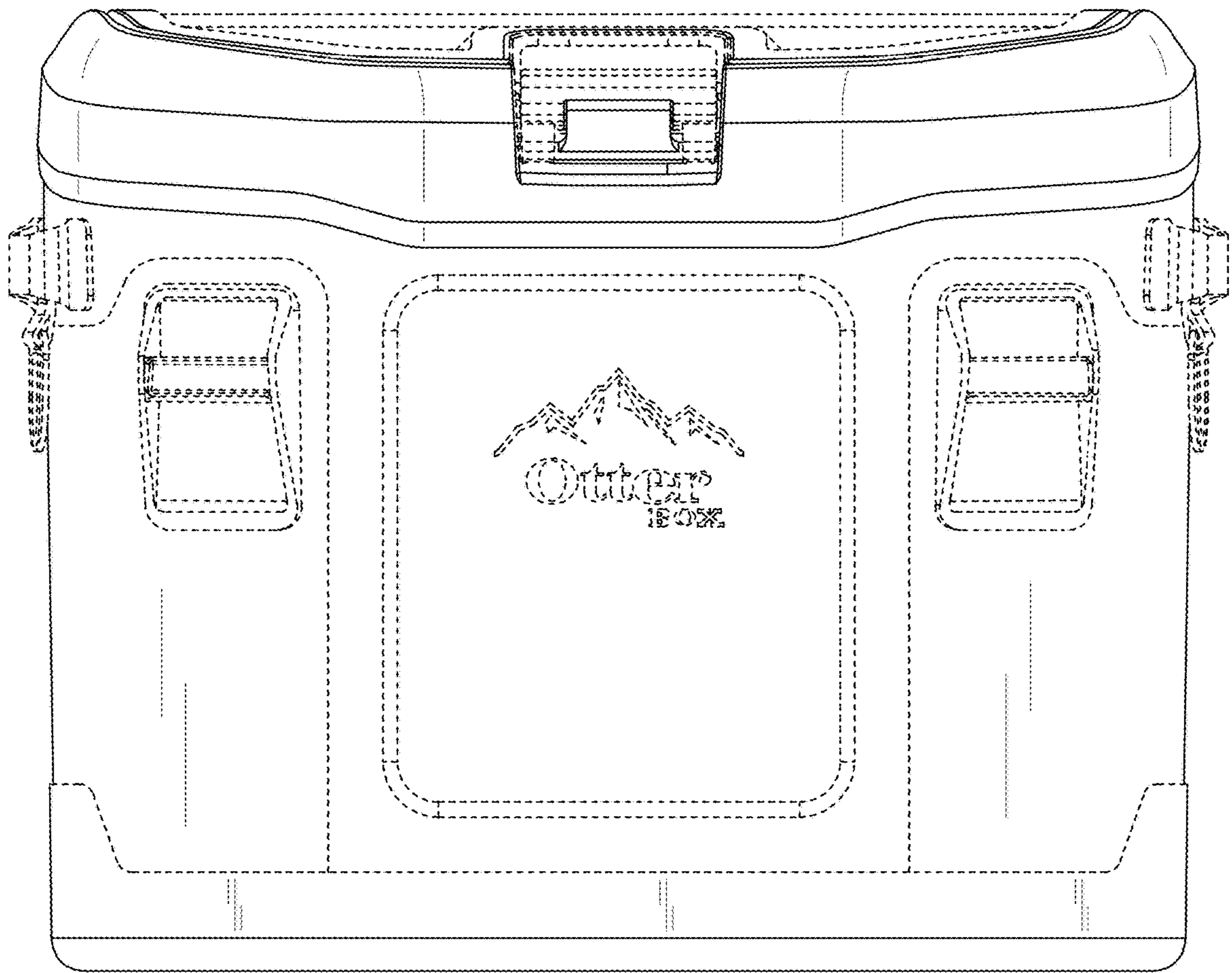


FIG. 2

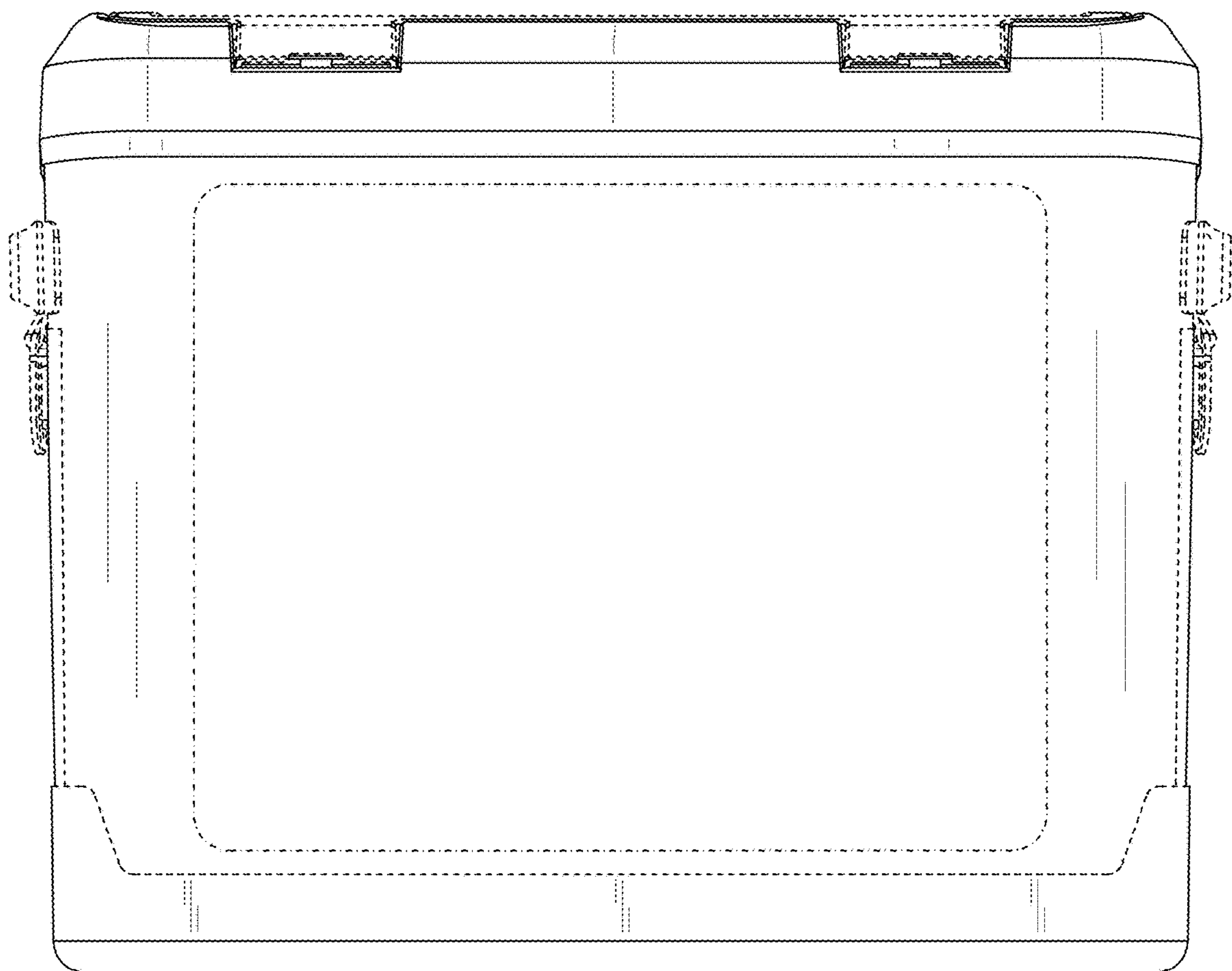


FIG. 3

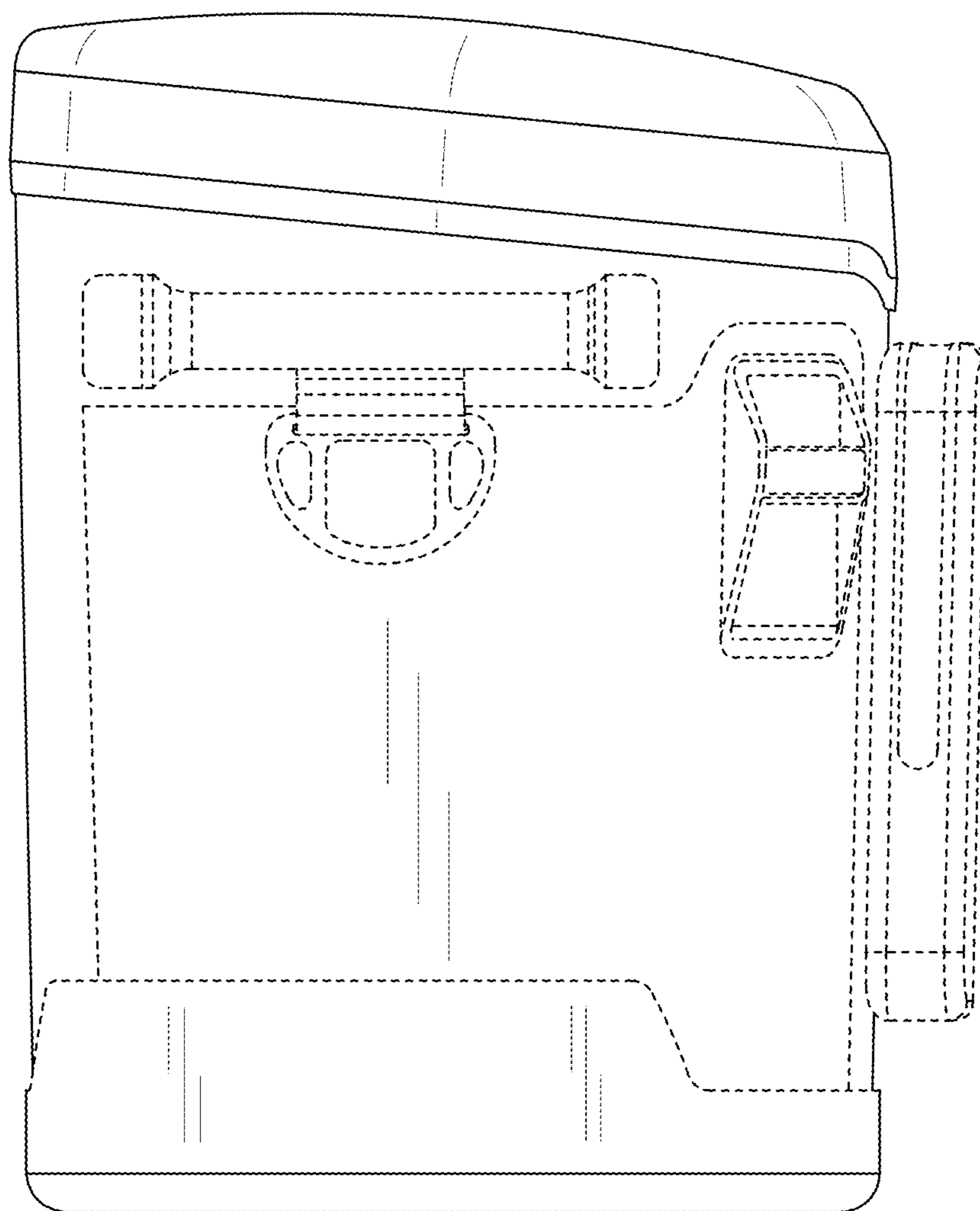


FIG. 4

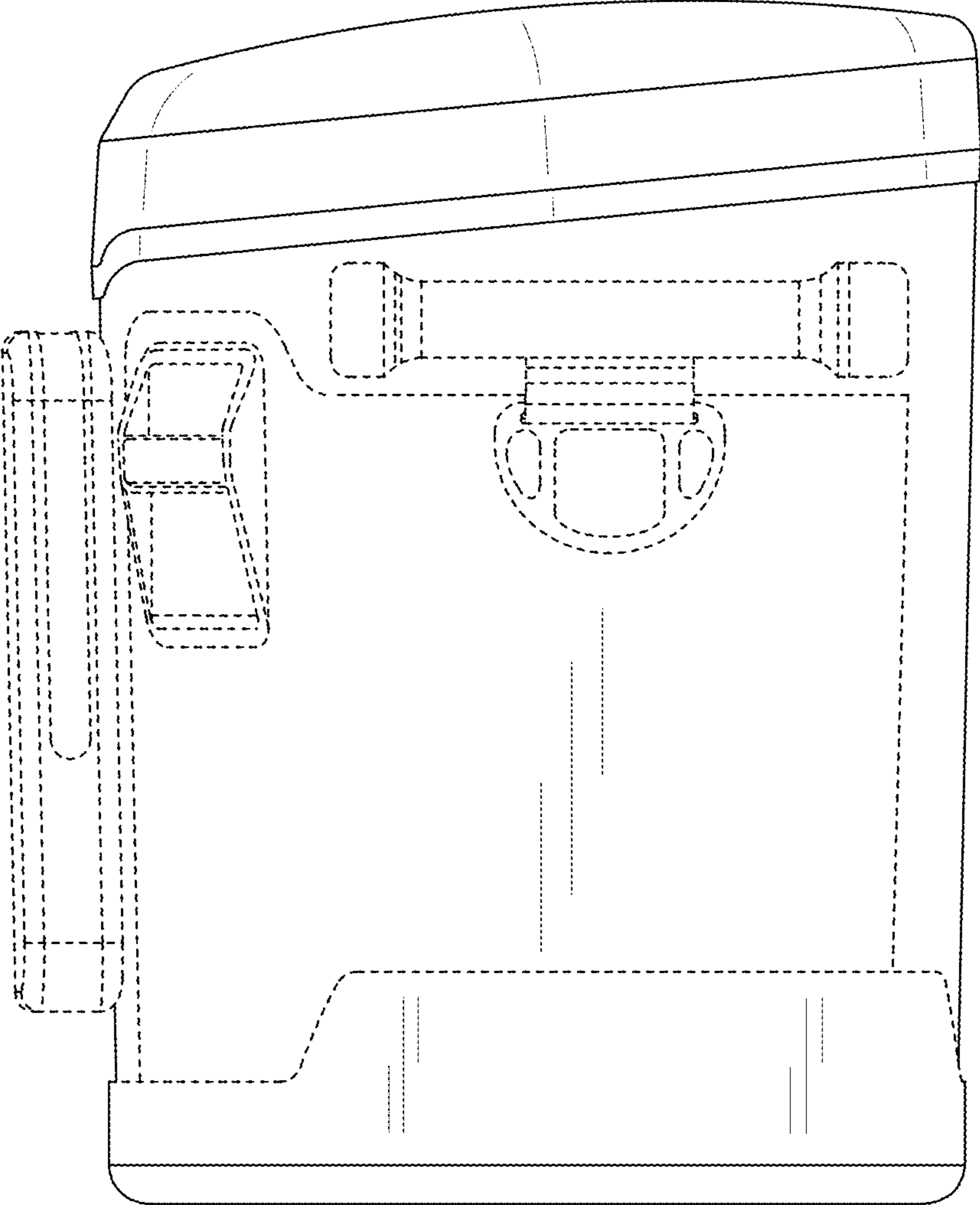


FIG. 5

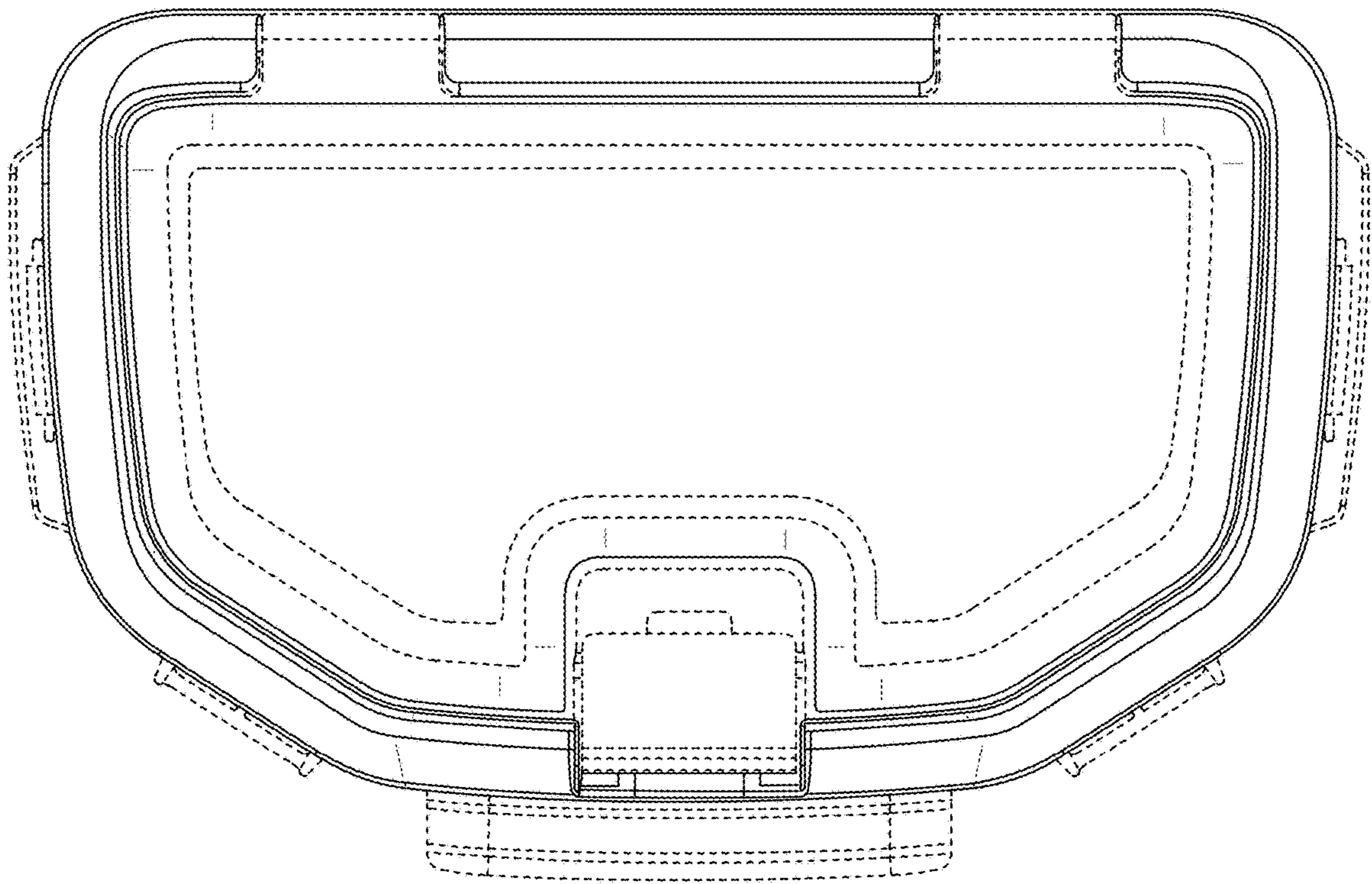


FIG. 6



FIG. 7