



US00D845715S

(12) **United States Design Patent**  
**Brownell**

(10) **Patent No.:** **US D845,715 S**

(45) **Date of Patent:** **\*\* Apr. 16, 2019**

- (54) **FOOD CONTAINER**
- (71) Applicant: **General Mills, Inc.**, Minneapolis, MN (US)
- (72) Inventor: **Jennifer Jessica Brownell**, Plymouth, MN (US)
- (73) Assignee: **General Mills, Inc.**, Minneapolis, MN (US)
- (\*\*) Term: **15 Years**
- (21) Appl. No.: **29/622,124**
- (22) Filed: **Oct. 13, 2017**
- (51) **LOC (11) Cl.** ..... **07-01**
- (52) **U.S. Cl.**  
USPC ..... **D7/545**
- (58) **Field of Classification Search**  
USPC ..... D7/500, 543, 360, 361, 545  
CPC ..... A47G 19/02; A47G 19/03; B65D 1/34; B65D 1/38  
  
See application file for complete search history.

- D607,329 S 1/2010 Diss
- D608,585 S 1/2010 Picozza et al.
- D613,127 S \* 4/2010 Olivari ..... D7/543
- D652,266 S 1/2012 Smyers
- D680,813 S \* 4/2013 De Leo ..... D7/543
- D686,455 S \* 7/2013 Gold ..... D7/543
- D692,760 S 11/2013 Rapparini
- D715,649 S 10/2014 O'Brien
- D722,251 S \* 2/2015 Morga ..... D7/500
- D749,908 S \* 2/2016 Cai ..... D7/543
- D763,625 S \* 8/2016 Wright ..... D7/545
- D786,624 S \* 5/2017 Passot ..... D7/584
- D798,718 S \* 10/2017 Foster ..... D9/500
- D816,417 S \* 5/2018 Hutton ..... D7/565
- D823,063 S \* 7/2018 Guo ..... D7/552.1
- D823,642 S \* 7/2018 Ribeiro-Ramalhosa ..... D7/543
- D825,335 S \* 8/2018 Buck ..... D9/500
- 2005/0017013 A1 \* 1/2005 Peisach ..... B65D 1/26  
220/609
- 2005/0127073 A1 \* 6/2005 Kusuma ..... B65D 21/086  
220/6

(Continued)

*Primary Examiner* — Cynthia R Underwood  
(74) *Attorney, Agent, or Firm* — Diederiks & Whitelaw, PLC; Annette M. Frawley, Esq.

(57) **CLAIM**

I claim the ornamental design for a food container, as shown.

**DESCRIPTION**

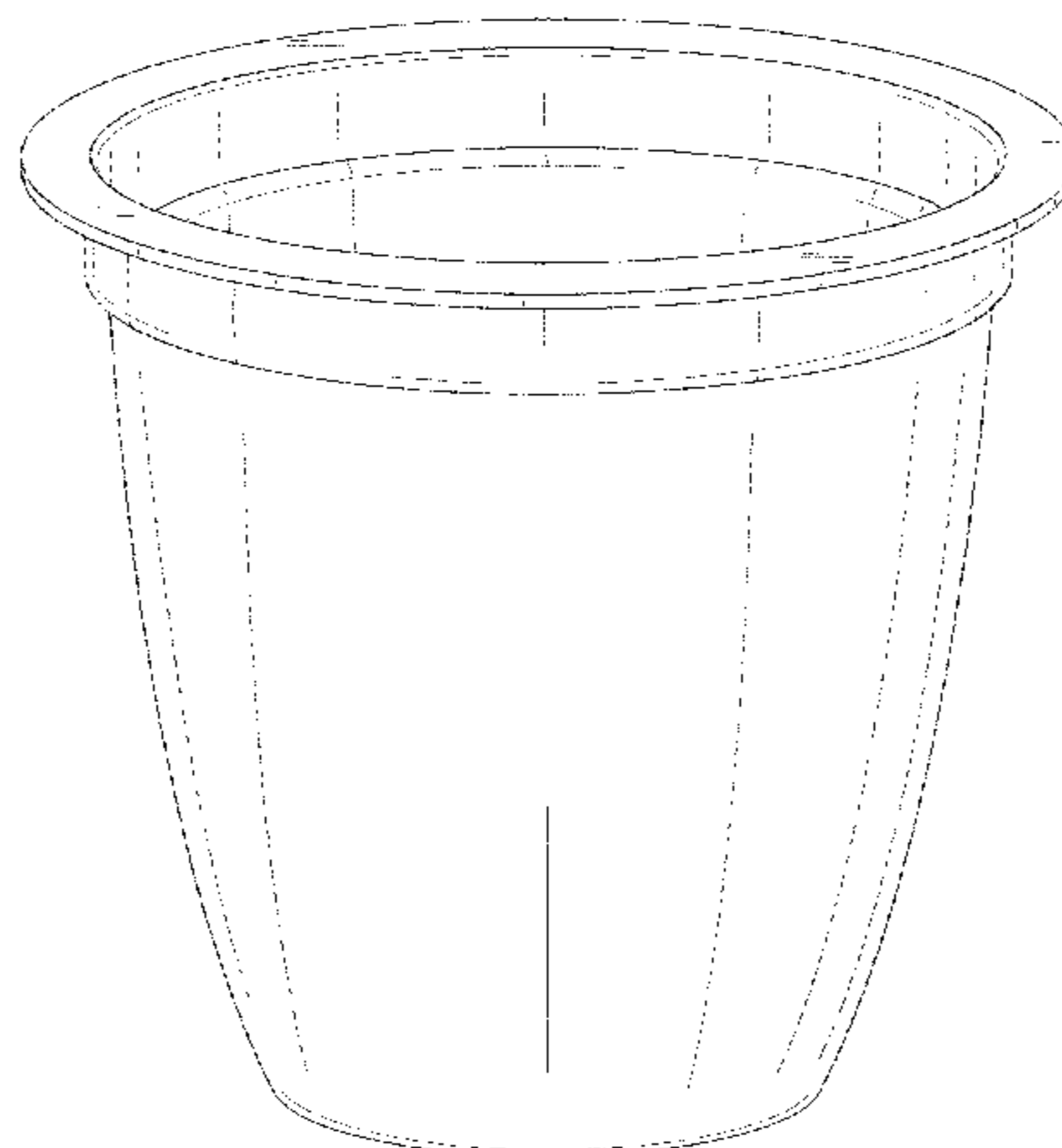
FIG. 1 is a perspective view of a food container, according to the present invention;  
FIG. 2 is a left side view of the food container of FIG. 1, with the right side view being a mirror image thereof;  
FIG. 3 is a top end view of the food container of FIG. 1;  
FIG. 4 is a bottom end view of the food container of FIG. 1; and,  
FIG. 5 is a cross-sectional view of the food container taken along line 5-5 in FIG. 2.

**1 Claim, 5 Drawing Sheets**

(56) **References Cited**

U.S. PATENT DOCUMENTS

- D186,038 S 9/1959 Stageberg
- D250,565 S \* 12/1978 Stowell ..... D7/543
- D314,119 S \* 1/1991 Kauffman ..... D7/505
- D383,646 S 6/1997 Jeppesen et al.
- D385,462 S \* 10/1997 Ferris ..... D7/543
- D416,445 S 11/1999 Henry
- D447,007 S 8/2001 Schultz
- D452,417 S \* 12/2001 Whitmore ..... D7/543
- D453,094 S 1/2002 Maggard et al.
- D453,108 S 1/2002 Gasco
- D509,106 S 9/2005 de Groote et al.
- D564,138 S \* 3/2008 Dunn ..... D30/129
- D591,591 S 5/2009 Moecks et al.
- D606,363 S 12/2009 Aardenburg



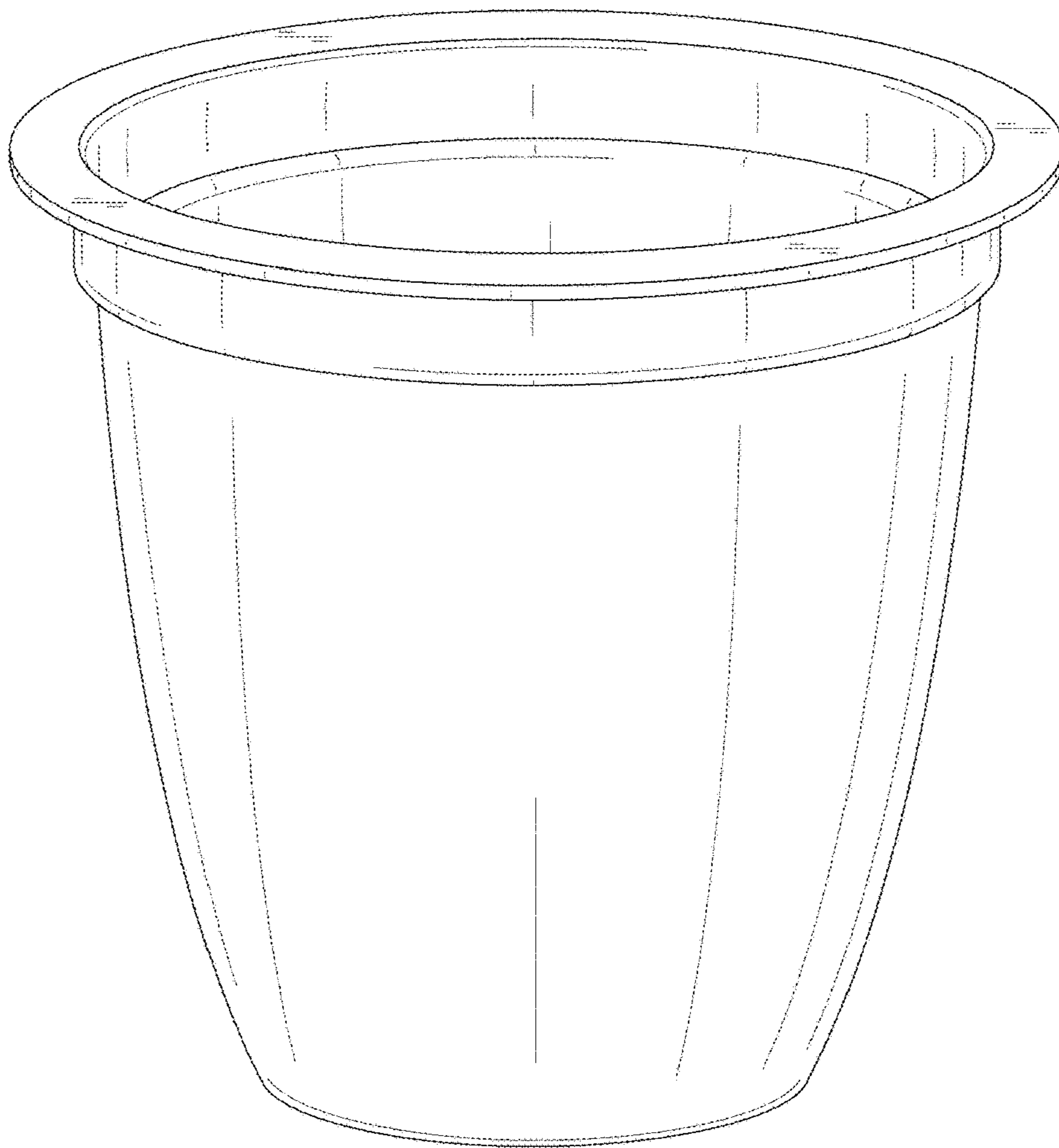
(56)

**References Cited**

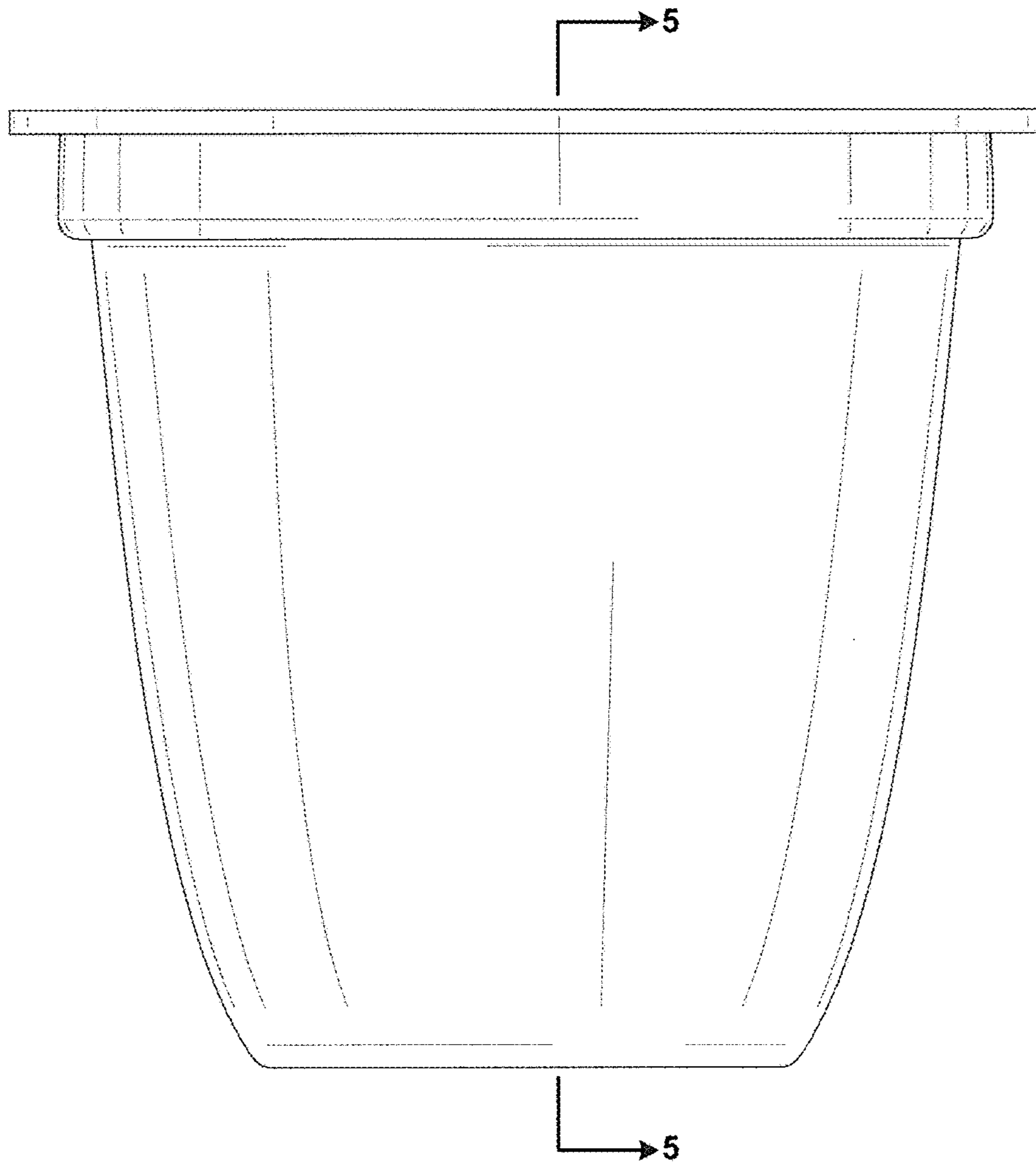
U.S. PATENT DOCUMENTS

2011/0259205 A1\* 10/2011 Delorme ..... B65D 65/466  
99/299  
2012/0058226 A1\* 3/2012 Winkler ..... A47J 31/3695  
426/79  
2012/0097602 A1\* 4/2012 Tedford ..... B65D 65/466  
210/500.1  
2012/0201933 A1\* 8/2012 Dran ..... B65D 85/8043  
426/80  
2017/0081078 A1\* 3/2017 Maple ..... A47G 19/02

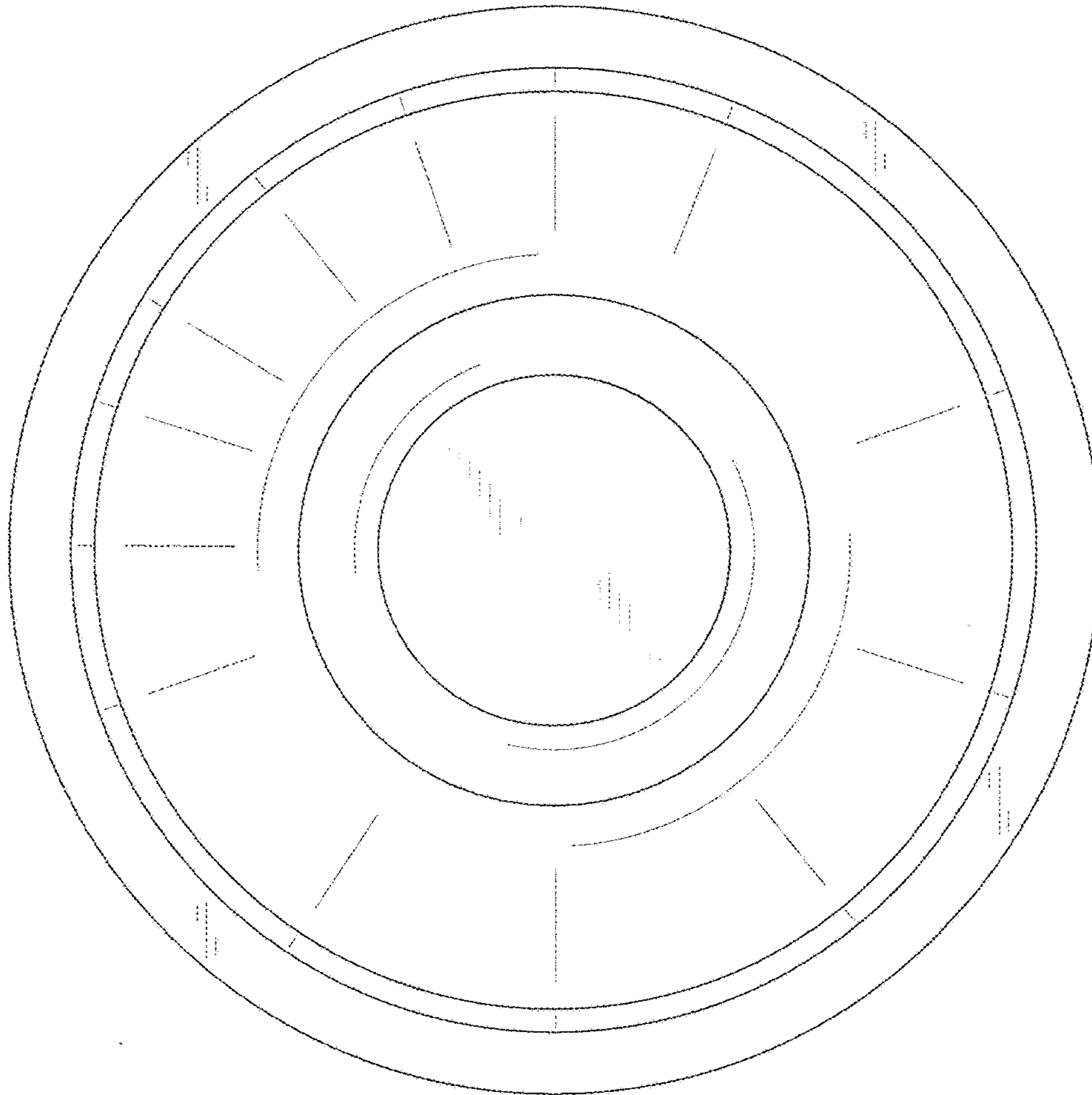
\* cited by examiner



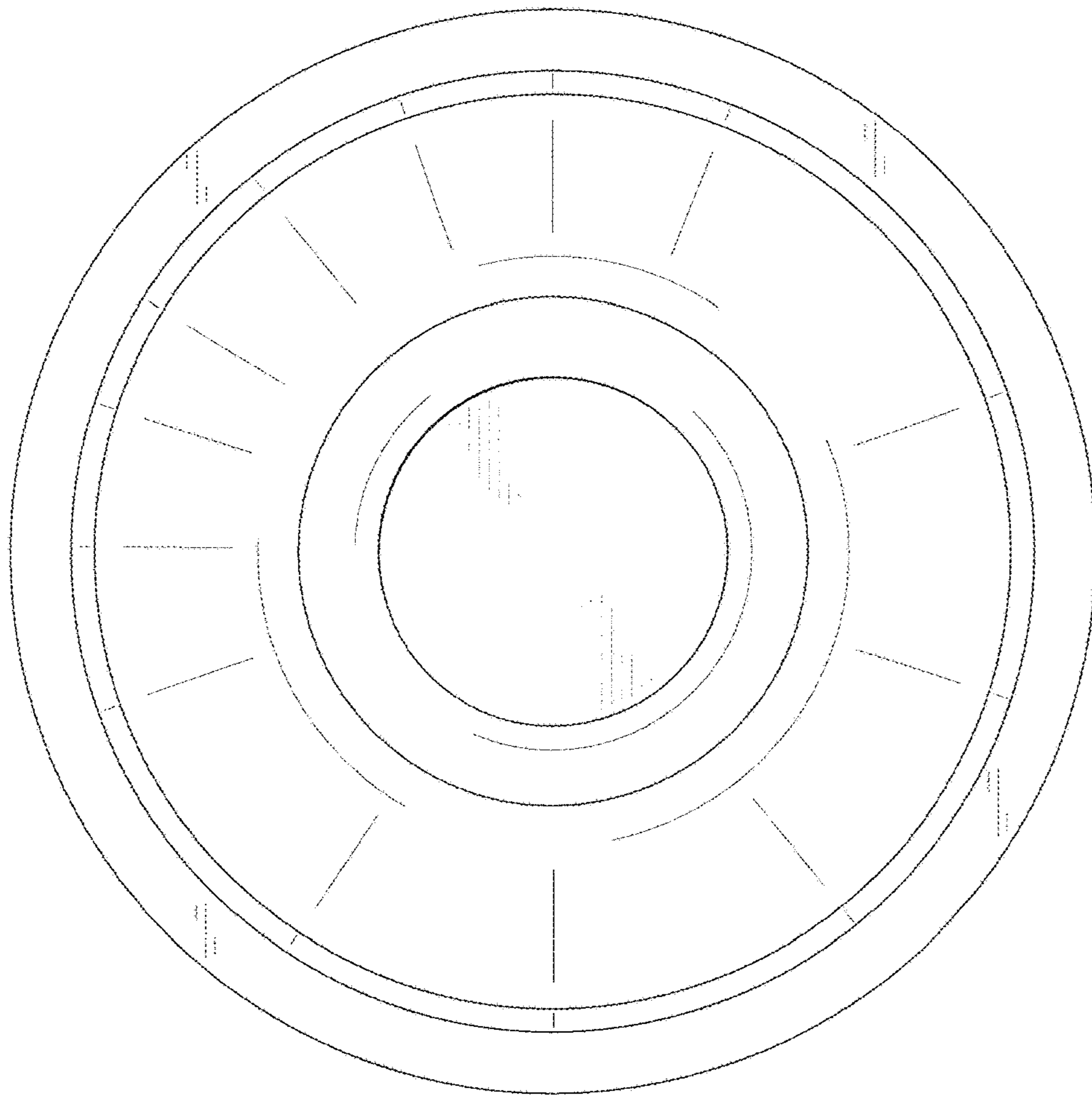
**FIG. 1**



**FIG. 2**



**FIG. 3**



**FIG. 4**



**FIG. 5**