



US00D845714S

(12) **United States Design Patent**  
**Wands**

(10) **Patent No.:** **US D845,714 S**

(45) **Date of Patent:** **\*\* Apr. 16, 2019**

(54) **TABLEWARE**

(71) Applicant: **WandsIP Pty Ltd**, Birtinya (AU)

(72) Inventor: **Richard Wands**, Birtinya (AU)

(73) Assignee: **WANDSIP PTY LTD**, Birtinya (AU)

(\*\*) Term: **15 Years**

(21) Appl. No.: **29/589,115**

(22) Filed: **Dec. 28, 2016**

(30) **Foreign Application Priority Data**

Jul. 4, 2016	(AU)	.....	201613528
Jul. 4, 2016	(AU)	.....	201613530
Jul. 4, 2016	(AU)	.....	201613531

(51) **LOC (11) Cl.** ..... **07-01**

(52) **U.S. Cl.**  
USPC ..... **D7/543**

(58) **Field of Classification Search**

USPC	.....	D8/500, 543, 360, 361; D7/500, 543, D7/360, 361
CPC	.....	A47G 19/02; A47G 19/03; B65D 1/34; B65D 1/38

See application file for complete search history.

(56) **References Cited**

**U.S. PATENT DOCUMENTS**

D235,497 S	*	6/1975	Cyren	.....	D7/360
D250,565 S	*	12/1978	Stowell	.....	D7/543
D314,119 S	*	1/1991	Kauffman	.....	D7/505
D385,462 S	*	10/1997	Ferris	.....	D7/543
D452,417 S	*	12/2001	Whitmore	.....	D7/543
D500,937 S	*	1/2005	Bravard	.....	D7/543
D564,138 S	*	3/2008	Dunn	.....	D30/129
D613,127 S	*	4/2010	Olivari	.....	D7/543
D626,790 S	*	11/2010	Gibson	.....	D7/325
D653,910 S	*	2/2012	Stamper	.....	D7/543
D680,813 S	*	4/2013	De Leo	.....	D7/543

(Continued)

*Primary Examiner* — Cynthia R Underwood

(74) *Attorney, Agent, or Firm* — Hodgson Russ LLP

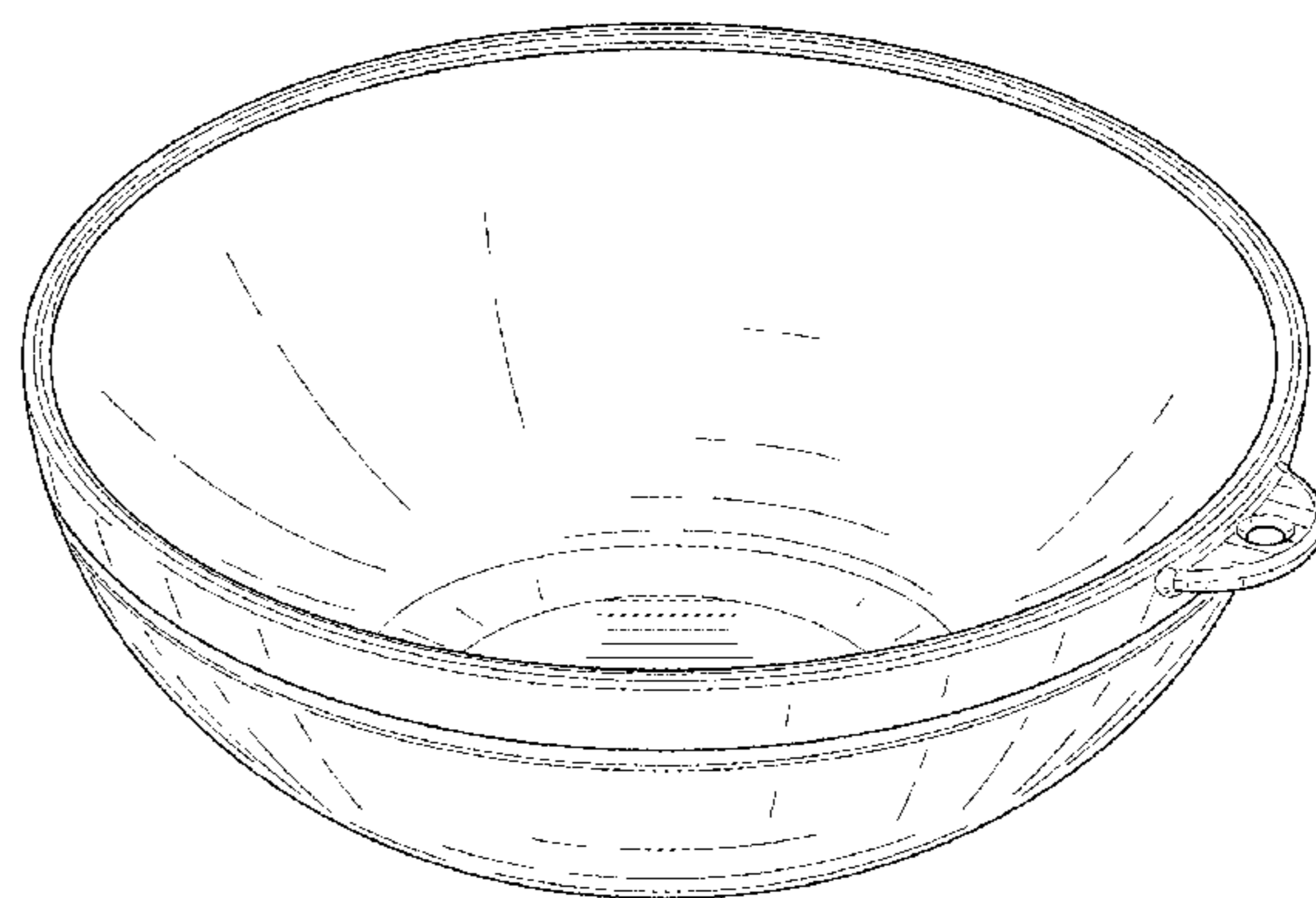
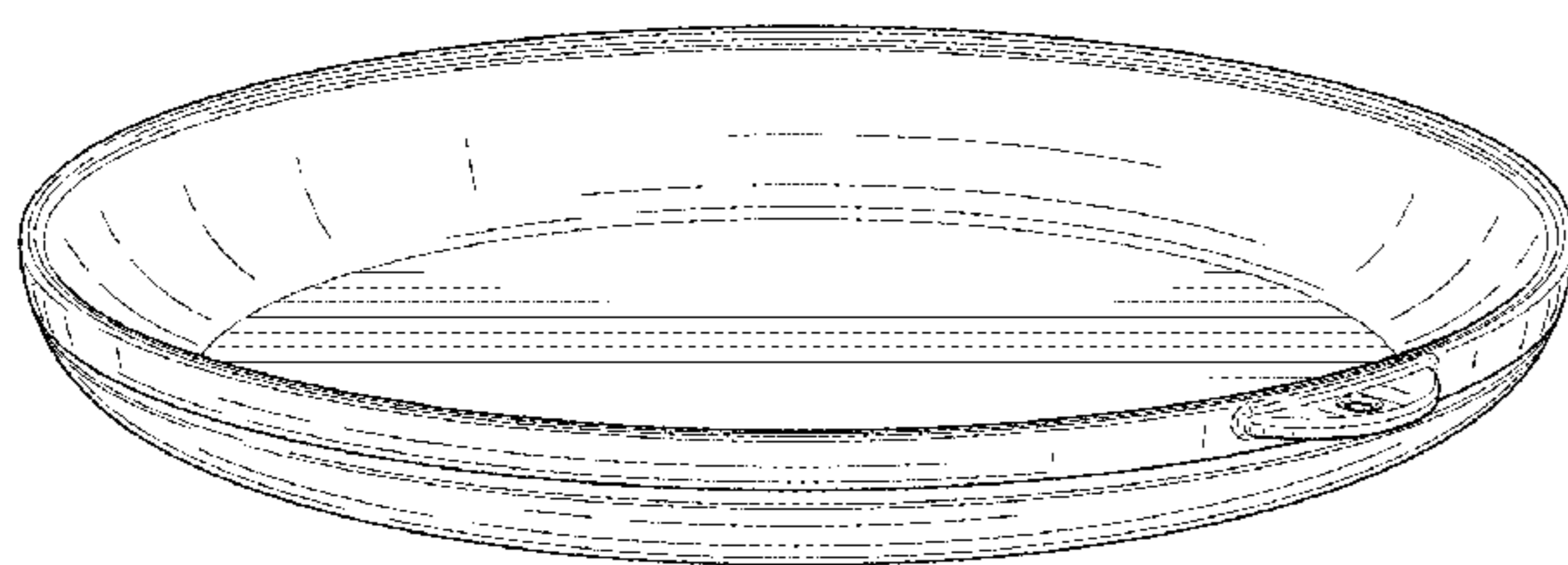
(57) **CLAIM**

The ornamental design for tableware, as shown and described.

**DESCRIPTION**

FIG. 1 is a top perspective view of a first embodiment of tableware, showing my new design;  
 FIG. 2 is a bottom perspective view thereof;  
 FIG. 3 is a front elevation view thereof;  
 FIG. 4 is a rear elevation view thereof;  
 FIG. 5 is a right side elevation view thereof, the left side elevation view being mirror symmetrical thereto;  
 FIG. 6 is a top plan view thereof;  
 FIG. 7 is a bottom plan view thereof;  
 FIG. 8 is a sectional view thereof, taken along 8-8 of FIG. 3;  
 FIG. 9 is a front elevation view thereof, showing the tableware stacked on additional exemplary tableware;  
 FIG. 10 is a top perspective view of FIG. 9;  
 FIG. 11 is a top perspective view of a second embodiment of tableware, showing my new design;  
 FIG. 12 is a front elevation view thereof;  
 FIG. 13 is a rear elevation view thereof;  
 FIG. 14 is a left side elevation view thereof, the right side elevation view being mirror symmetrical thereto;  
 FIG. 15 is a top plan view thereof;  
 FIG. 16 is a bottom plan view thereof;  
 FIG. 17 is a sectional view thereof, taken along 17-17 of FIG. 12;  
 FIG. 18 is a left side elevation view thereof, showing the tableware stacked on additional exemplary tableware; and,  
 FIG. 19 is a top perspective view of FIG. 18 thereof.  
 The broken lines illustrate unclaimed environmental features that form no part of the claimed design.

**1 Claim, 11 Drawing Sheets**



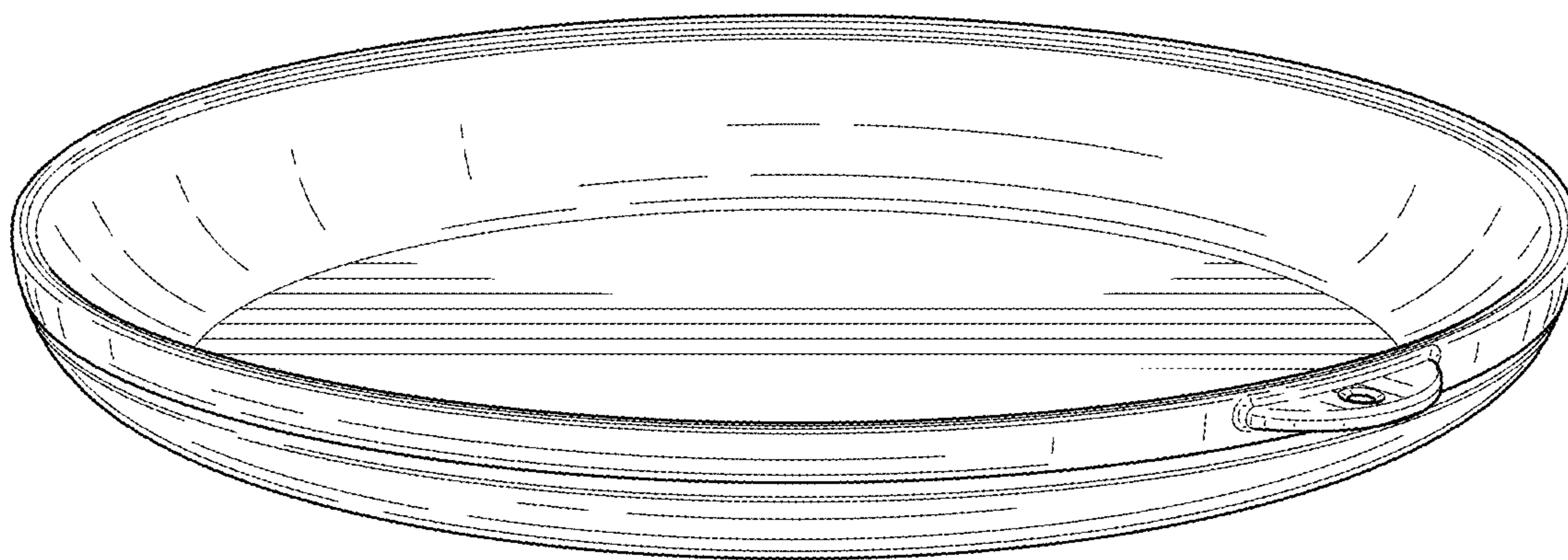
(56)

**References Cited**

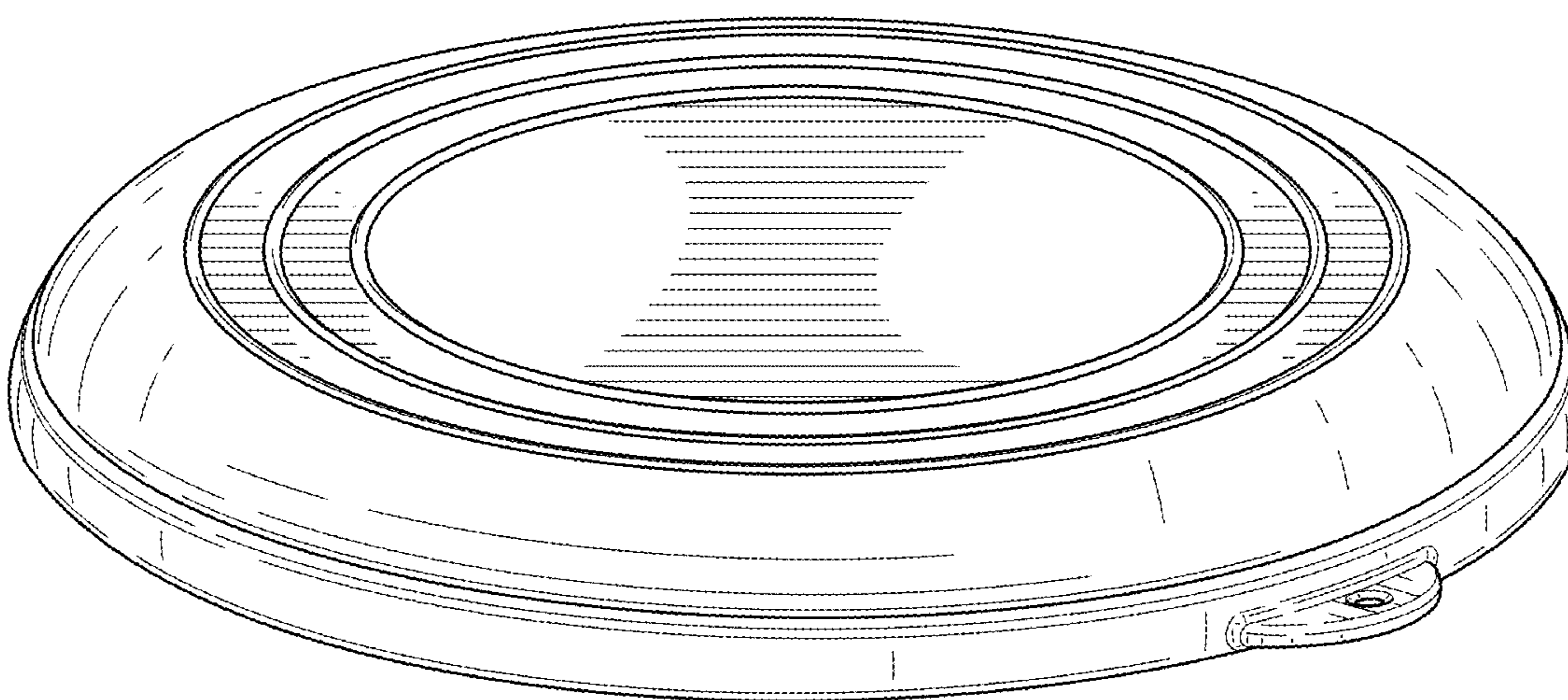
U.S. PATENT DOCUMENTS

D686,455 S *	7/2013	Gold .....	D7/543
D722,251 S *	2/2015	Morga .....	D7/500
D749,362 S *	2/2016	Holding .....	D7/505
D749,908 S *	2/2016	Cai .....	D7/543
D763,625 S *	8/2016	Wright .....	D7/545
D786,624 S *	5/2017	Passot .....	D7/584
D816,417 S *	5/2018	Hutton .....	D7/565
D823,063 S *	7/2018	Guo .....	D7/552.1
D823,642 S *	7/2018	Ribeiro-Ramalhosa .....	D7/543
2005/0127073 A1 *	6/2005	Kusuma .....	B65D 21/086 220/6
2017/0081078 A1 *	3/2017	Maple .....	A47G 19/02

\* cited by examiner



**FIG. 1**



**FIG. 2**

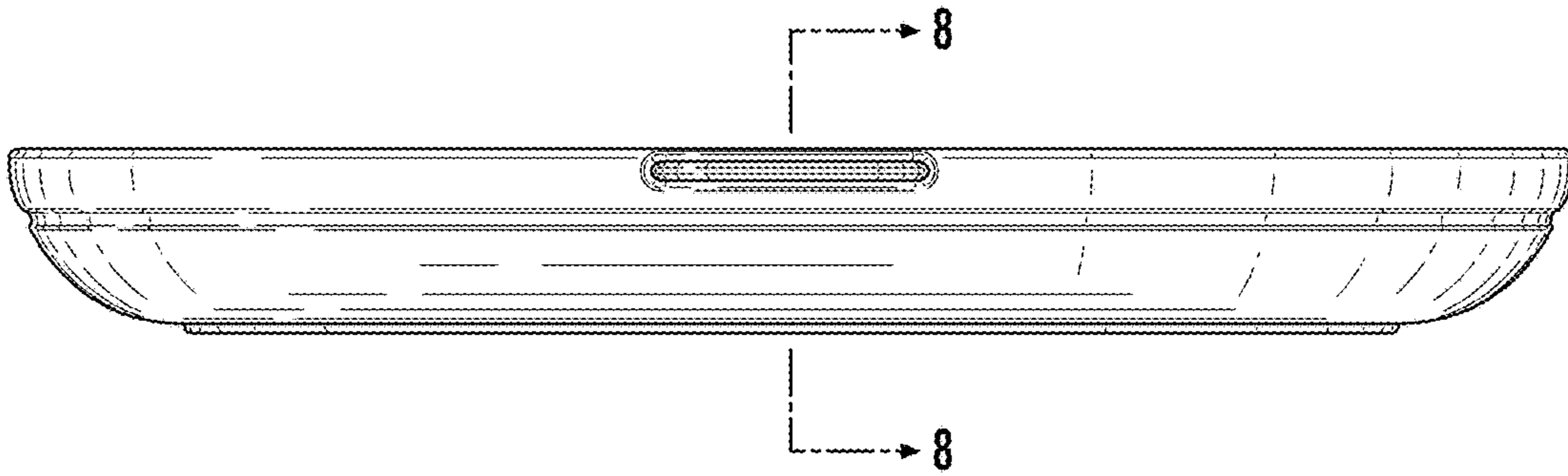


FIG. 3

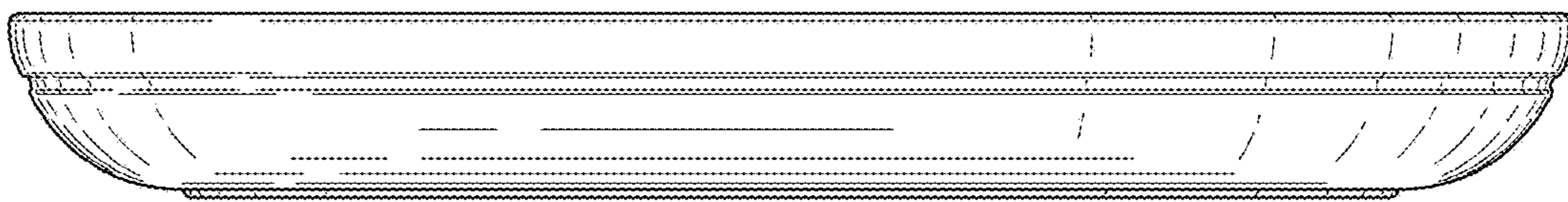


FIG. 4

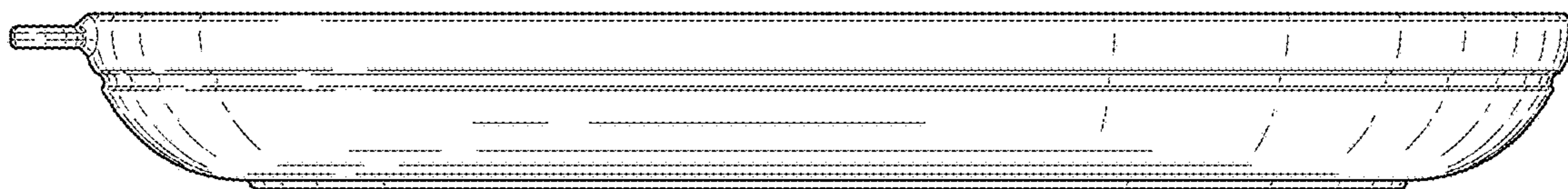


FIG. 5

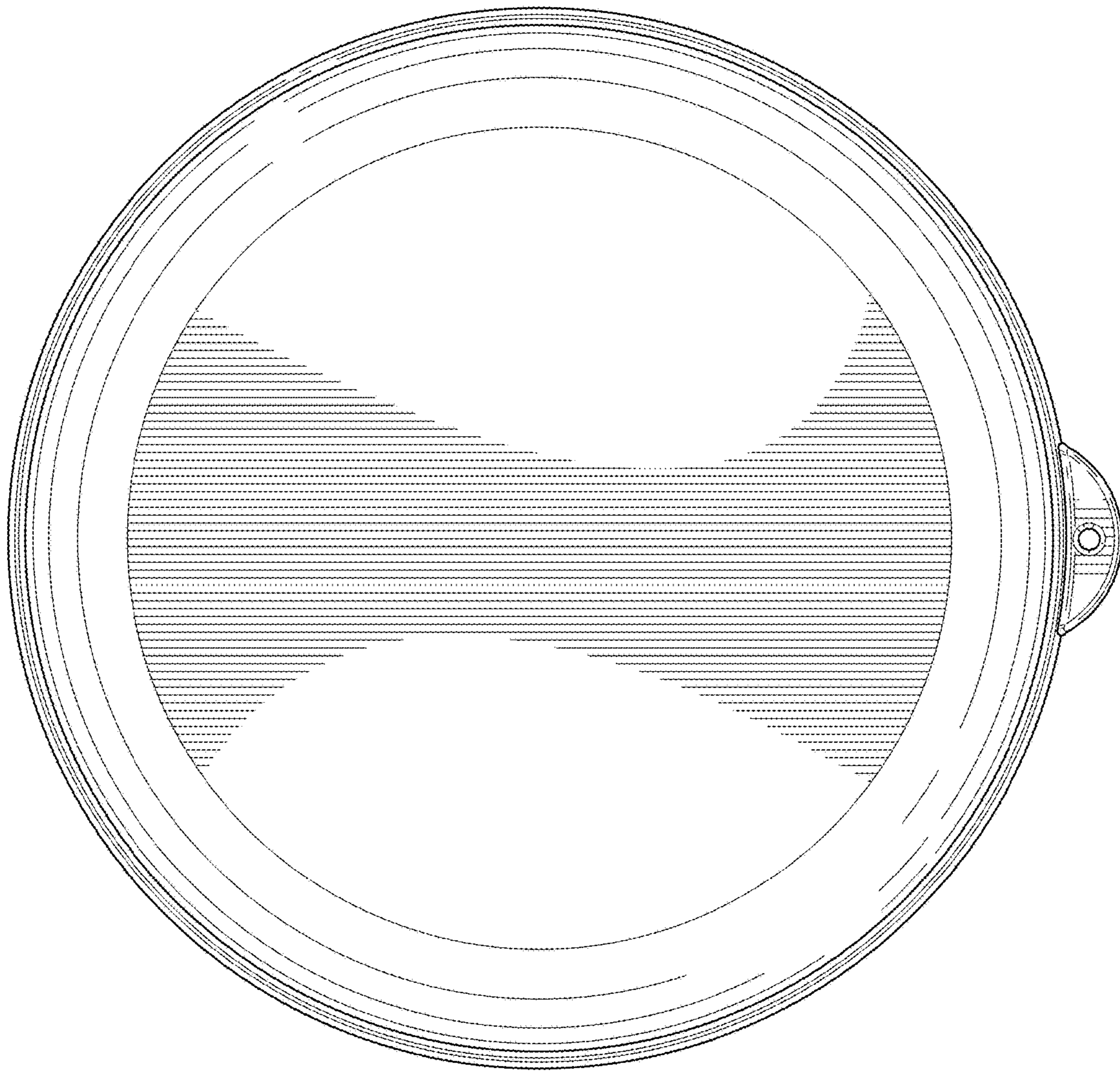


FIG. 6

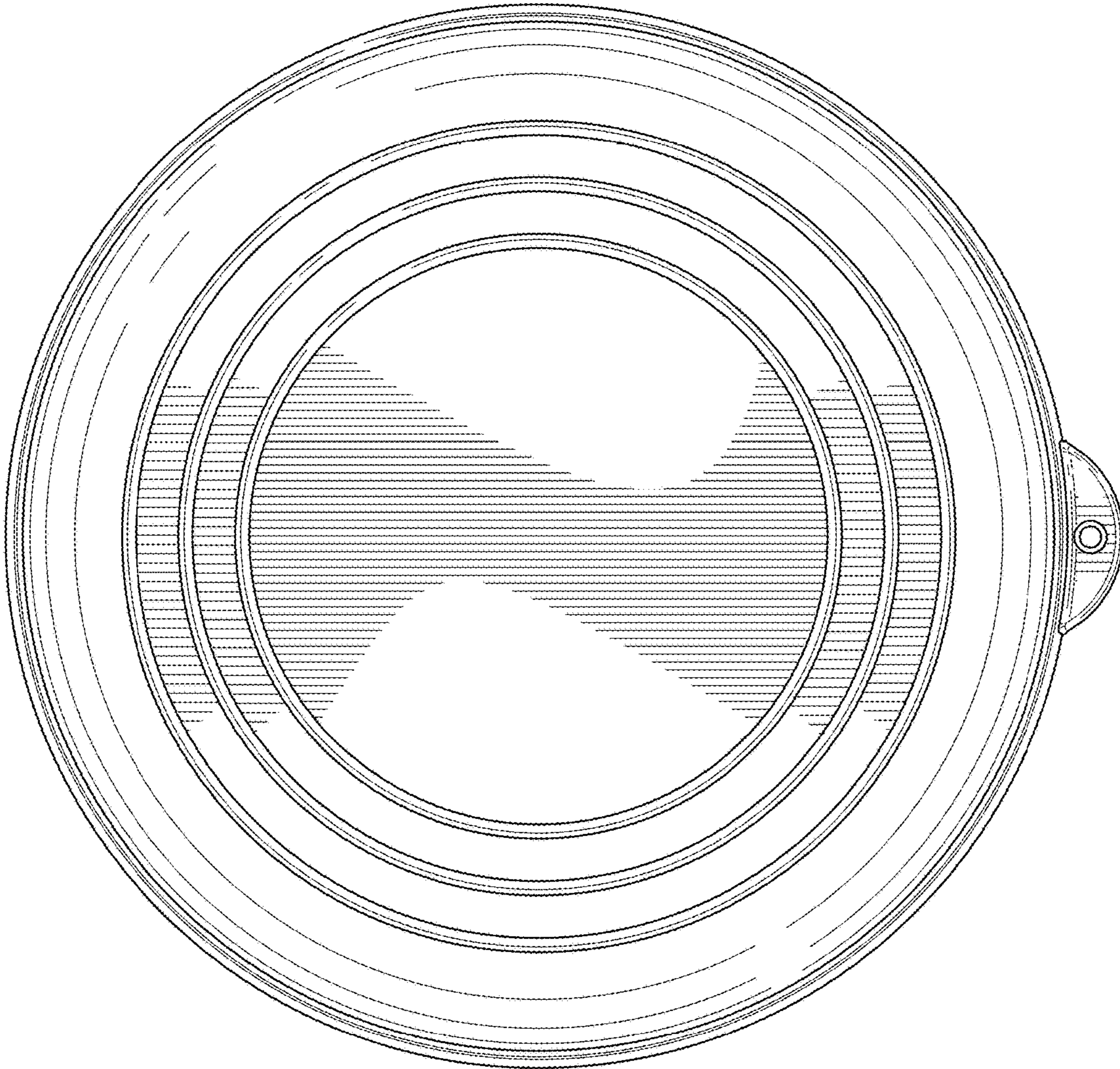


FIG. 7

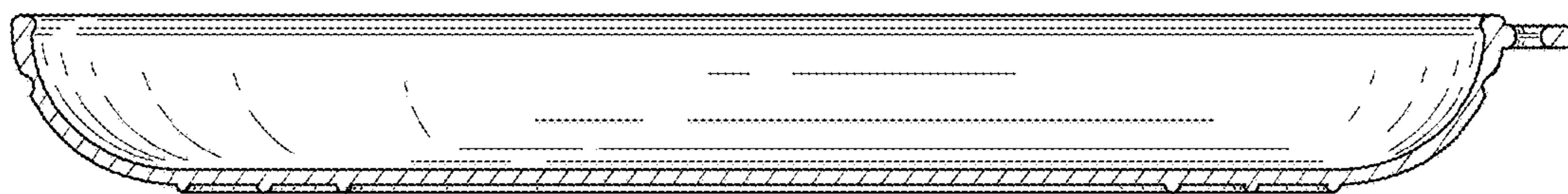


FIG. 8

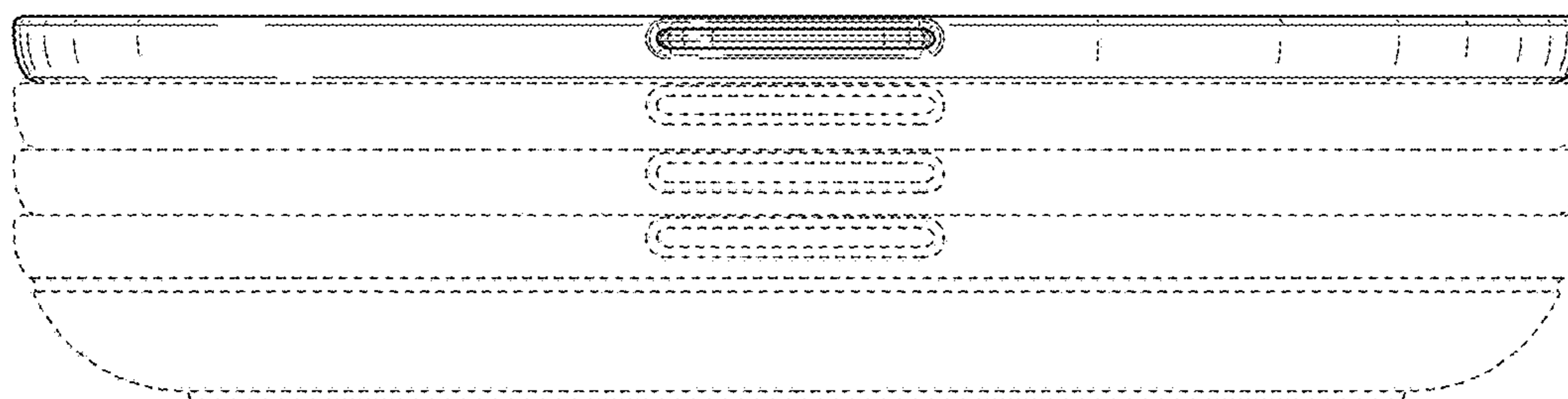


FIG. 9

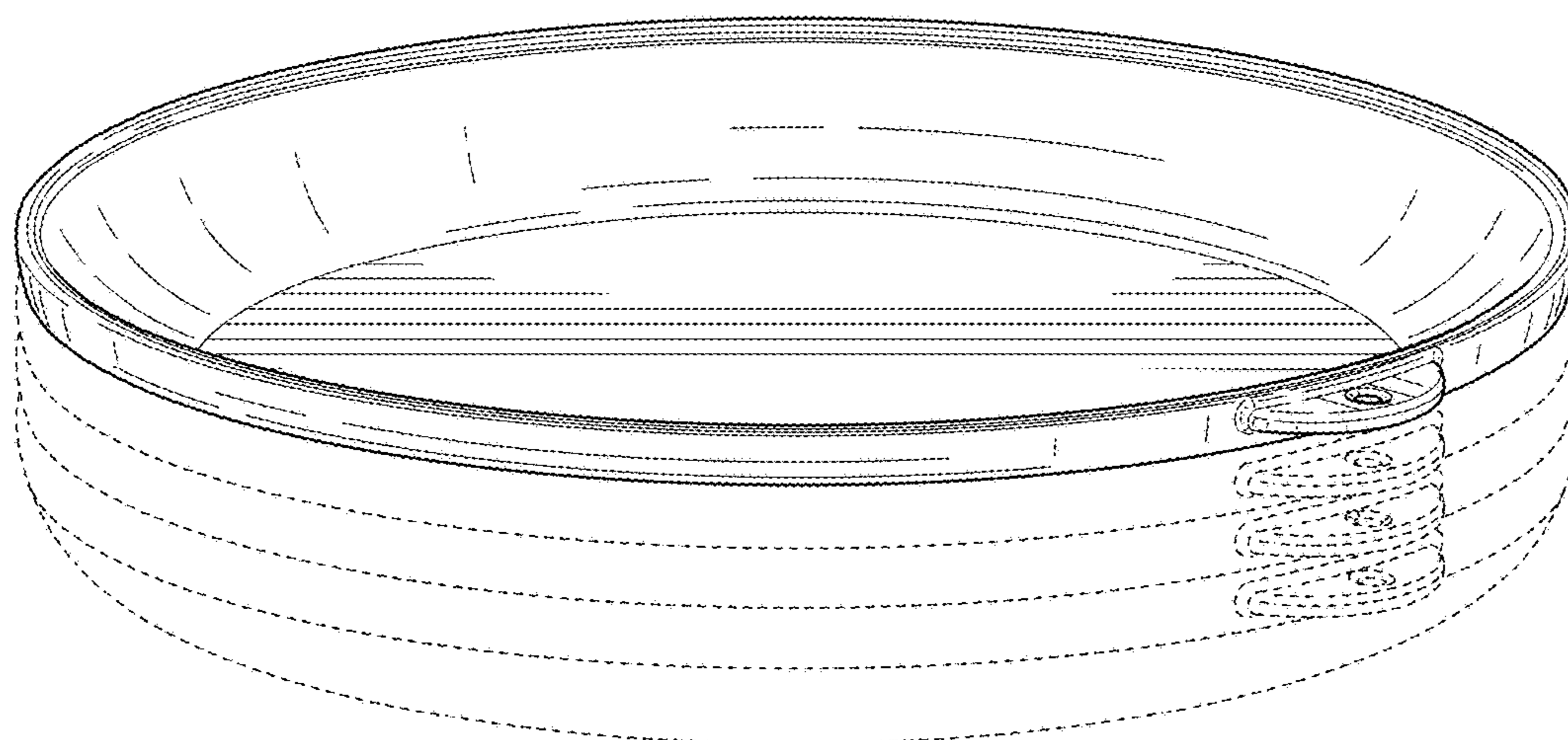
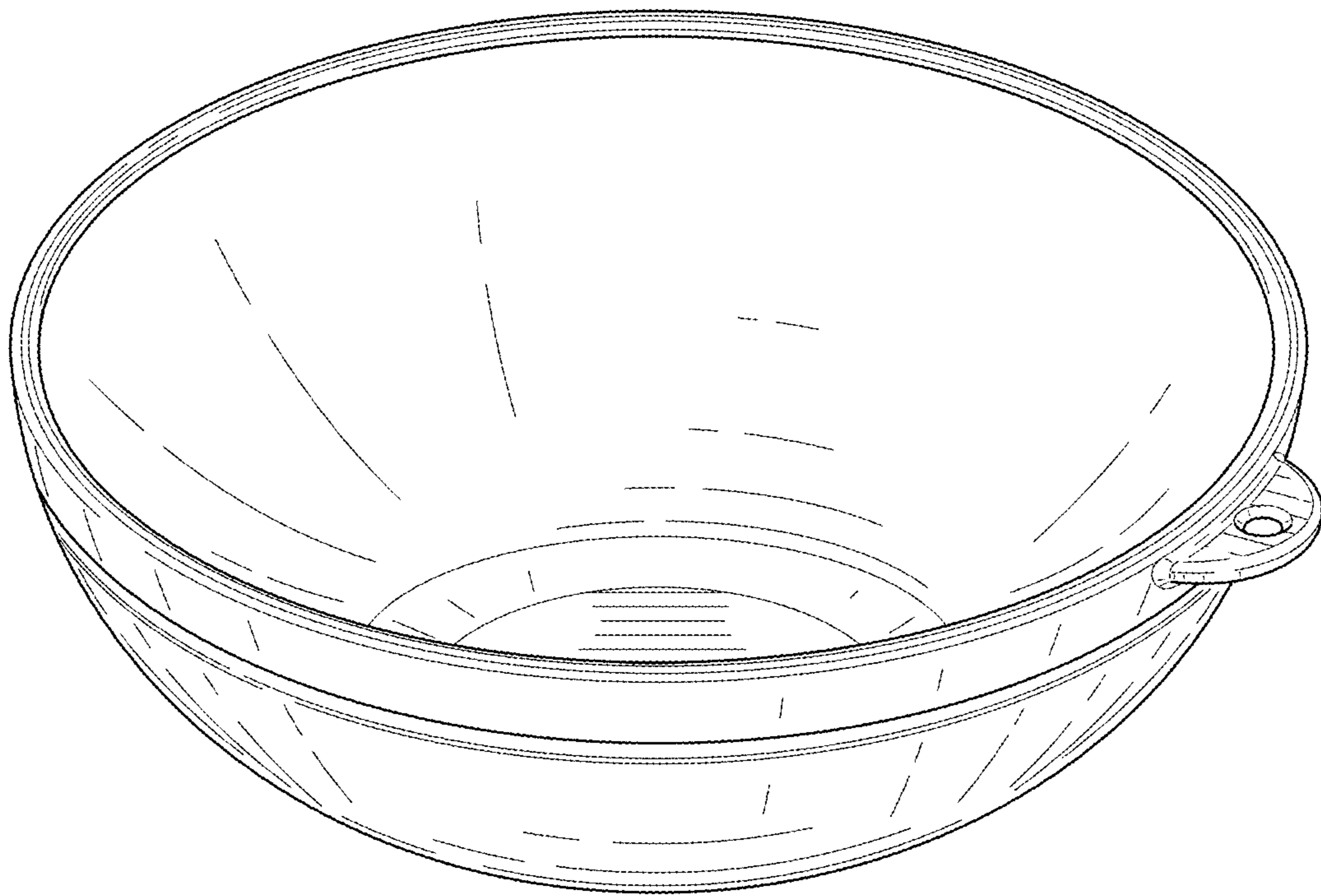


FIG. 10



**FIG. 11**



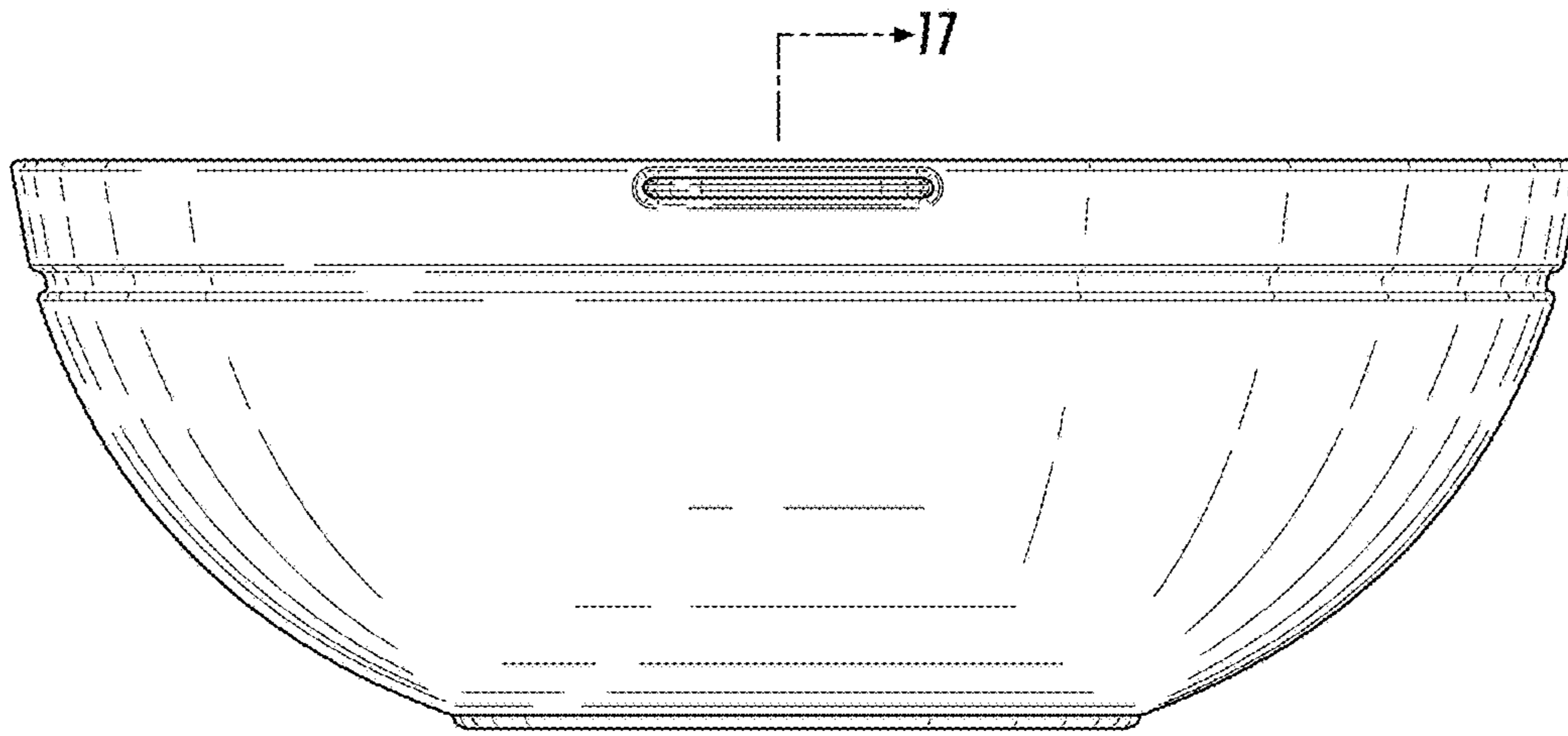


FIG. 12

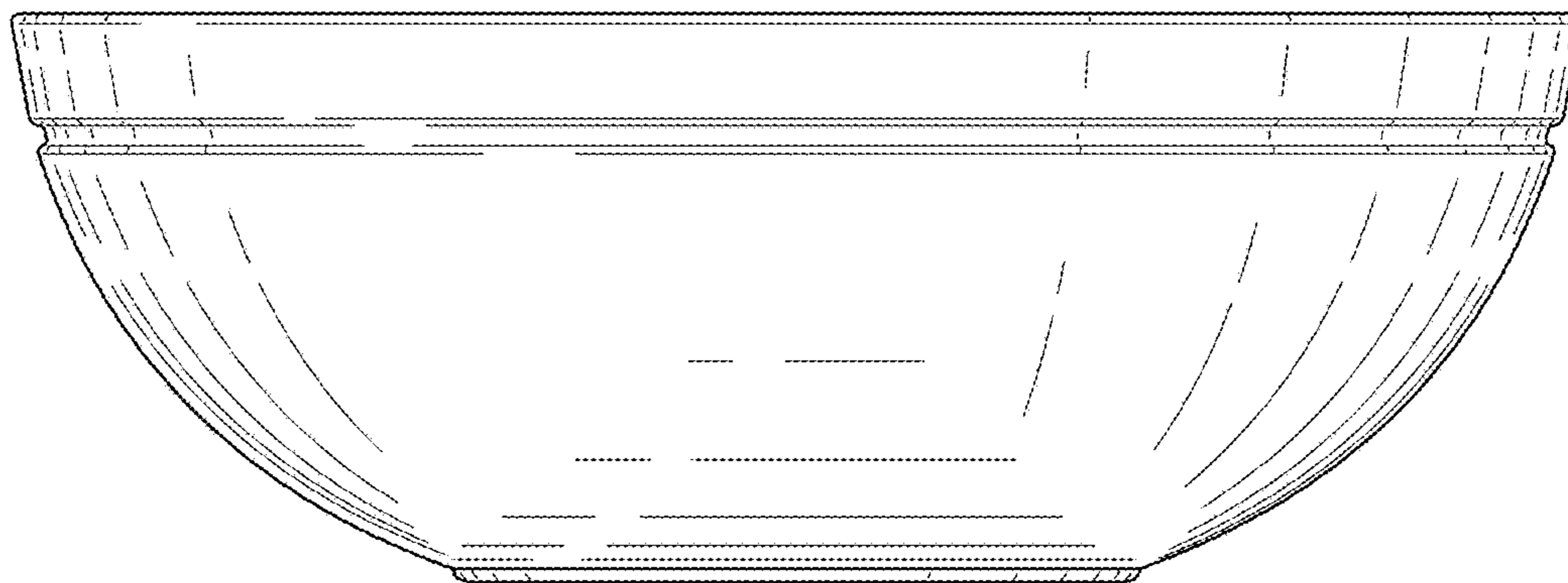


FIG. 13

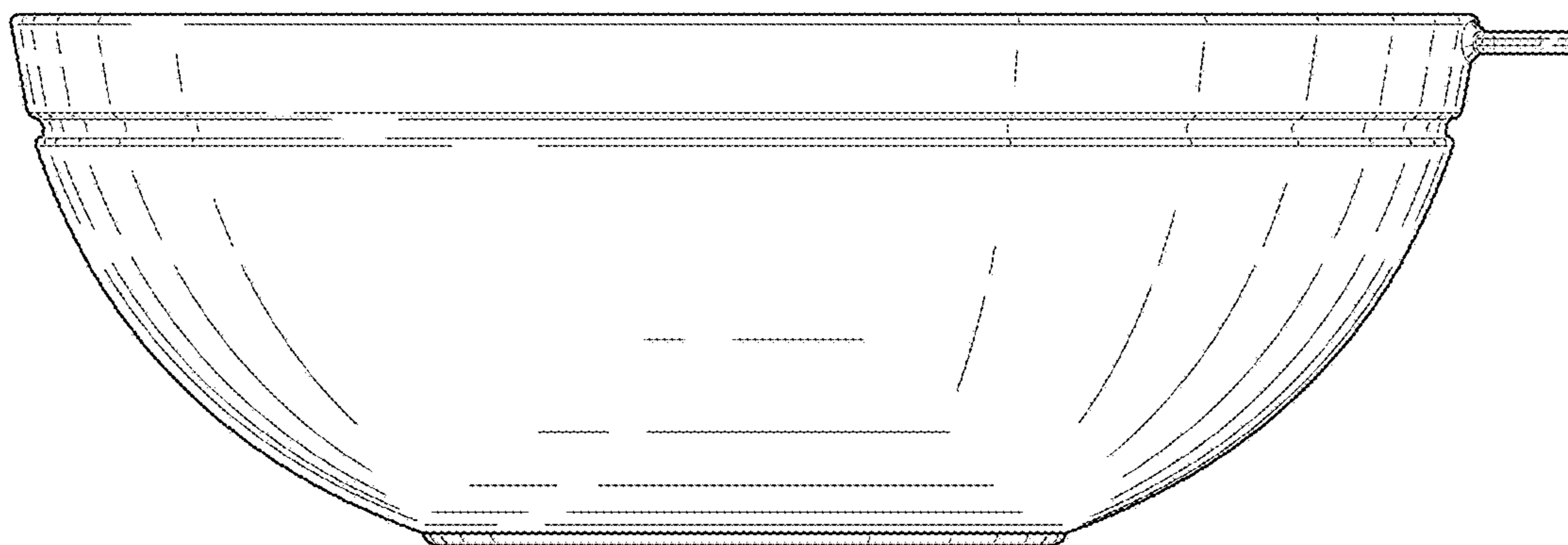


FIG. 14

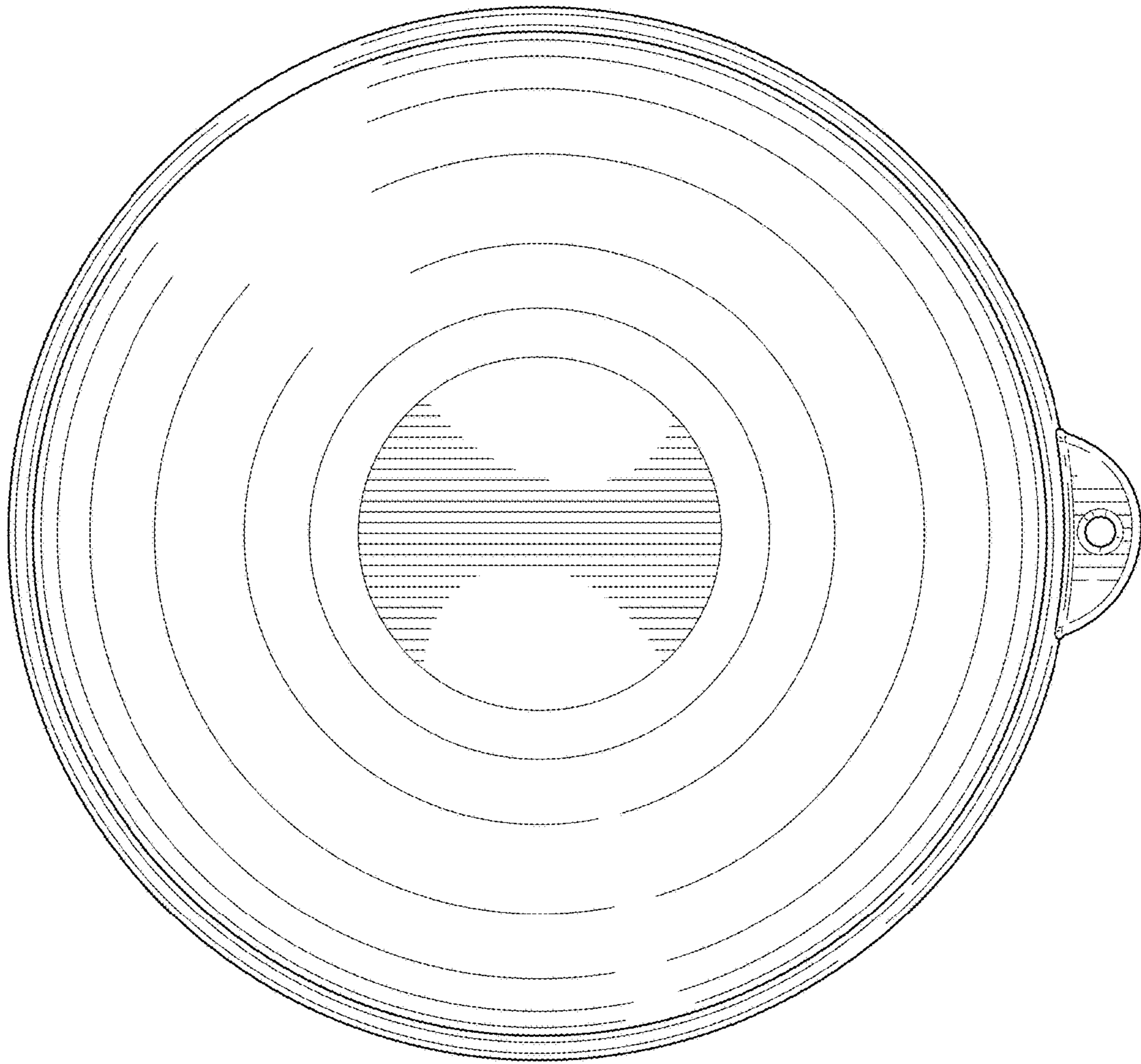
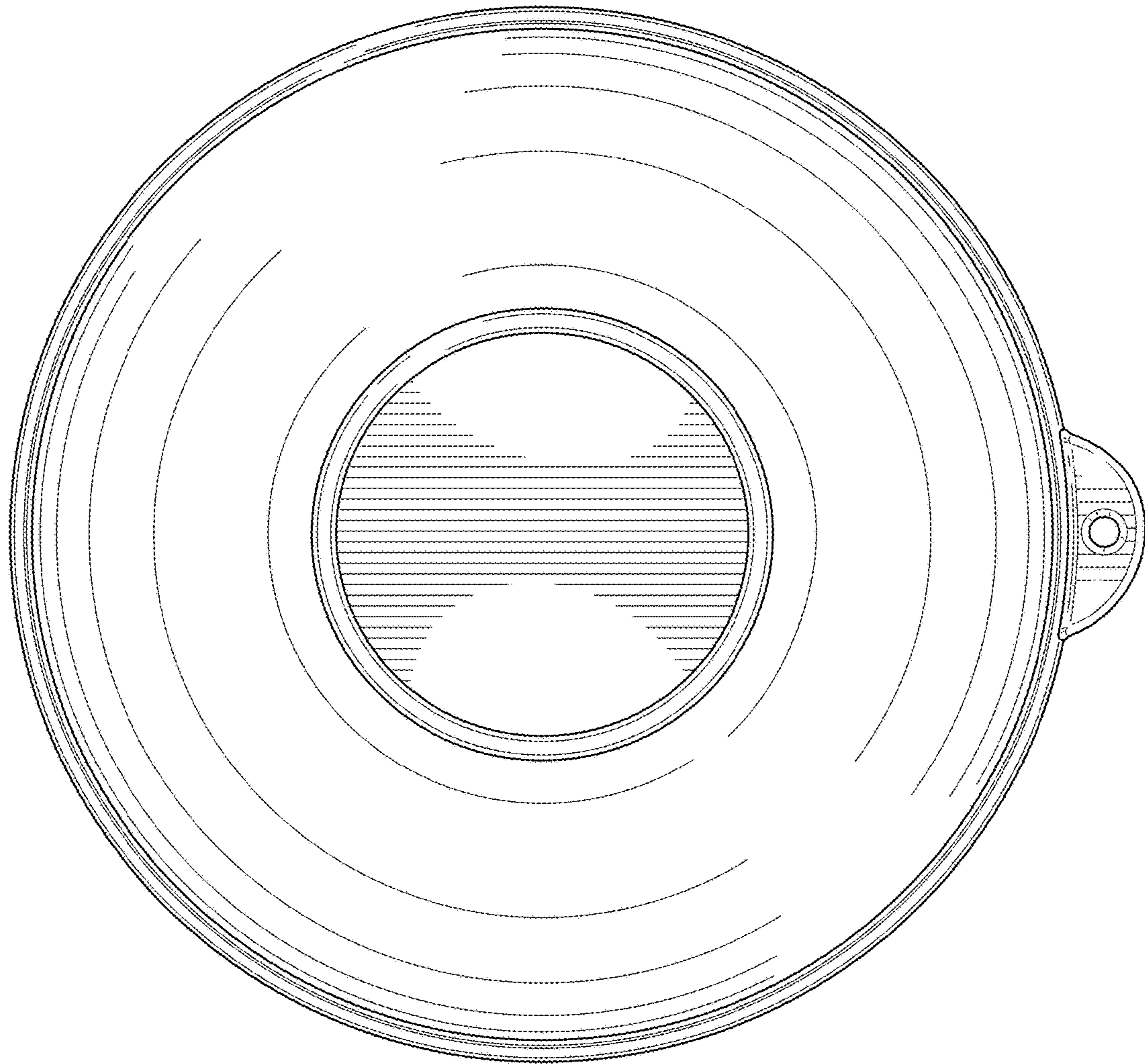


FIG. 15



**FIG. 16**

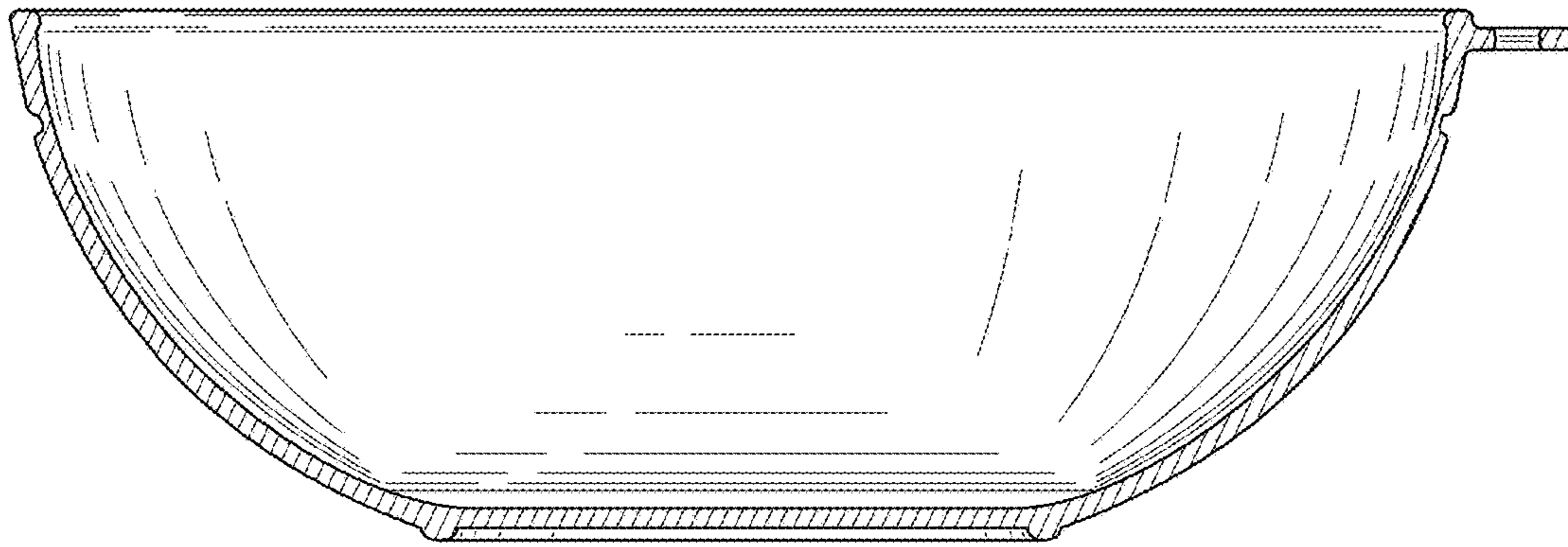


FIG. 17

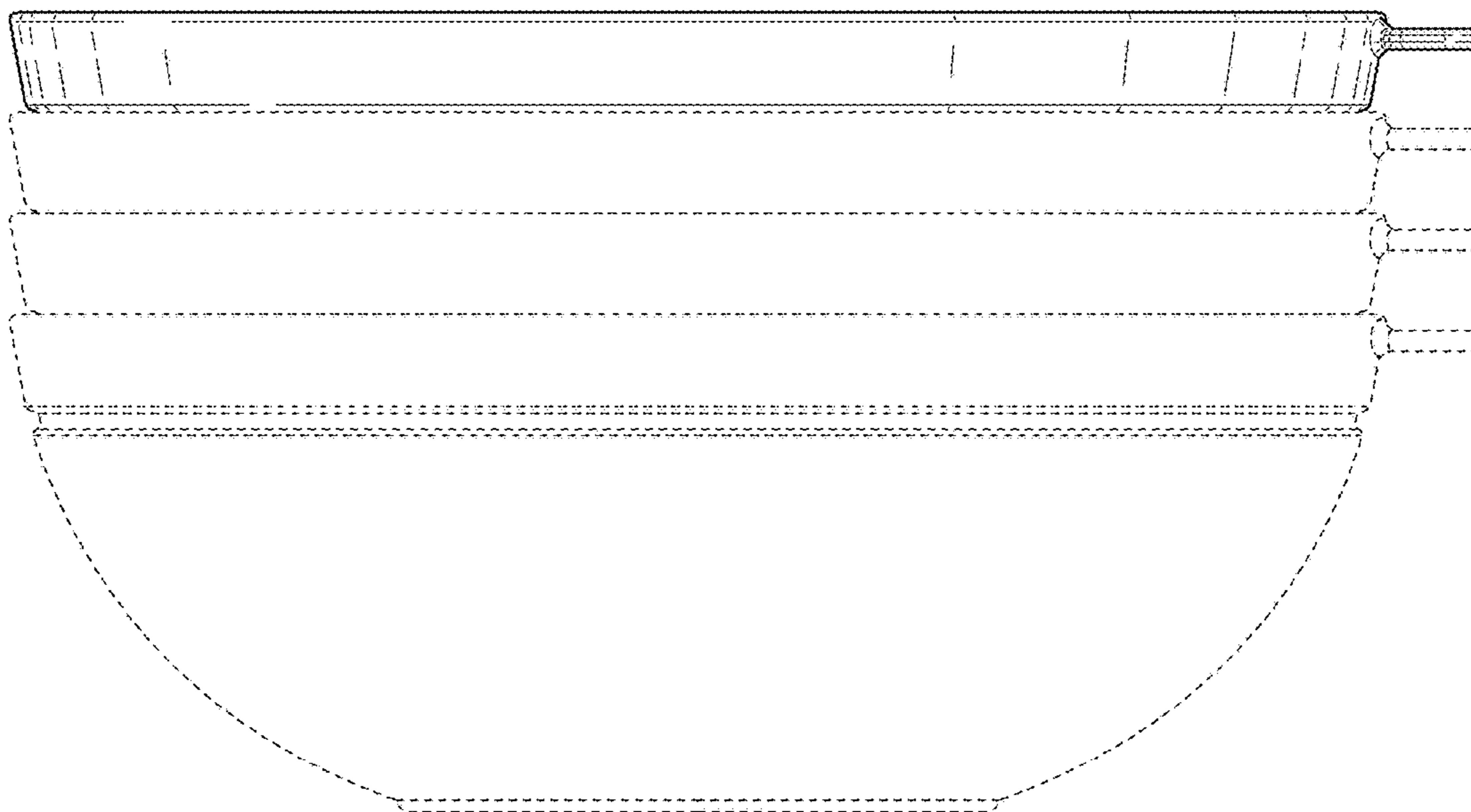
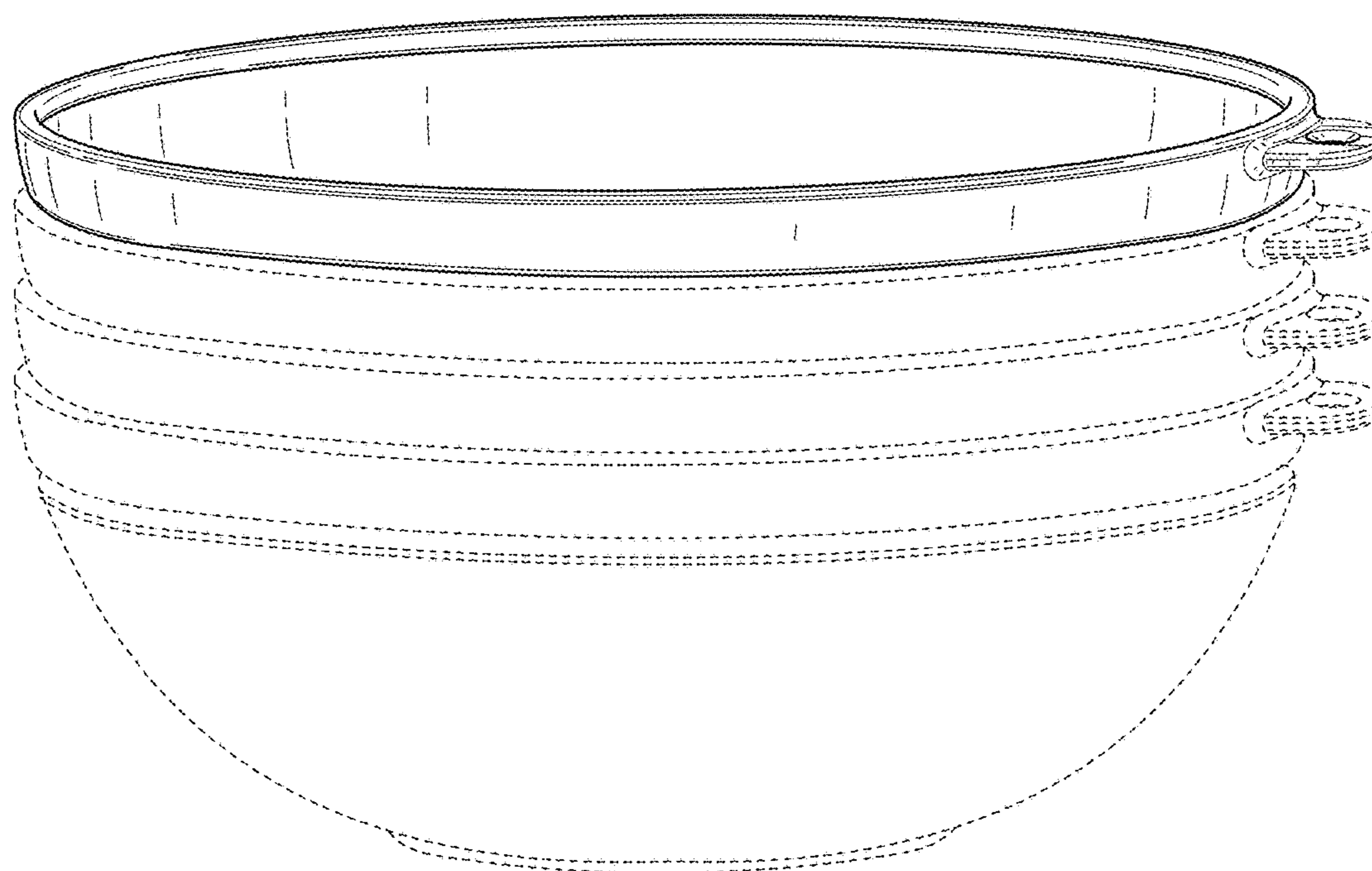


FIG. 18



**FIG. 19**