



US00D845711S

(12) **United States Design Patent** (10) **Patent No.:** **US D845,711 S**
Jordan et al. (45) **Date of Patent:** **** Apr. 16, 2019**

(54) **MUG WITH A HOCKEY PUCK BOTTLE OPENER**
(71) Applicants: **Keith Jordan**, State College, PA (US);
Kyle Jordan, State College, PA (US)
(72) Inventors: **Keith Jordan**, State College, PA (US);
Kyle Jordan, State College, PA (US)
(**) Term: **15 Years**
(21) Appl. No.: **29/585,012**

D281,572 S * 12/1985 Gabriel D8/40
D289,143 S * 4/1987 Guillaume D9/445
D326,203 S * 5/1992 Butler D6/518
D367,902 S * 3/1996 Silk D21/710
D371,958 S * 7/1996 Keaton D7/388
D372,837 S * 8/1996 Bailin D7/509
D373,290 S * 9/1996 Ballin 81/3.09
D383,045 S * 9/1997 Turso D8/38
5,913,442 A * 6/1999 Wu G09F 23/08
206/457
D442,434 S * 5/2001 Klima D7/510
D506,910 S * 7/2005 Tham-itthisak D7/509
(Continued)

(22) Filed: **Nov. 18, 2016**
(51) **LOC (11) Cl.** **07-01**
(52) **U.S. Cl.**
USPC **D7/507**; D7/396.2; D7/396.6; D7/531;
D7/536; D21/710; D8/38
(58) **Field of Classification Search**
USPC D7/392.1, 396.2, 396.3, 396.6, 397, 398,
D7/399, 400, 402, 387, 213, 388, 510,
D7/511, 507, 624.1, 624.2, 506, 505, 406,
D7/708.1, 619.1, 622, 633, 635, 523, 532,
D7/601, 602, 603, 620, 500, 531, 536,
D7/515; D9/435, 436, 440, 453, 455,
D9/499, 454, 415, 434, 520; 220/200,
220/703, 592.16, 592.17; D20/22, 23, 24,
D20/26, 27, 28, 29, 43, 32, 19, 10, 4;
D21/710, 727; D12/193; D8/38
CPC B65D 41/04; B65D 41/0414; B65D 43/02;
B65D 41/56; Y10S 330/903; A47G
19/2288; A47G 2019/2277; A47G
19/2227; G09F 3/00
See application file for complete search history.

OTHER PUBLICATIONS

<https://oddtymall.com/pop-n-pour-beer-mug-has-a-bottle-opener-on-the-bottom-of-it/> Dec. 8, 2014.*
(Continued)

Primary Examiner — Marianne N Pandozzi
Assistant Examiner — Jae Liang
(74) *Attorney, Agent, or Firm* — Whitmyer IP Group LLC

(57) **CLAIM**

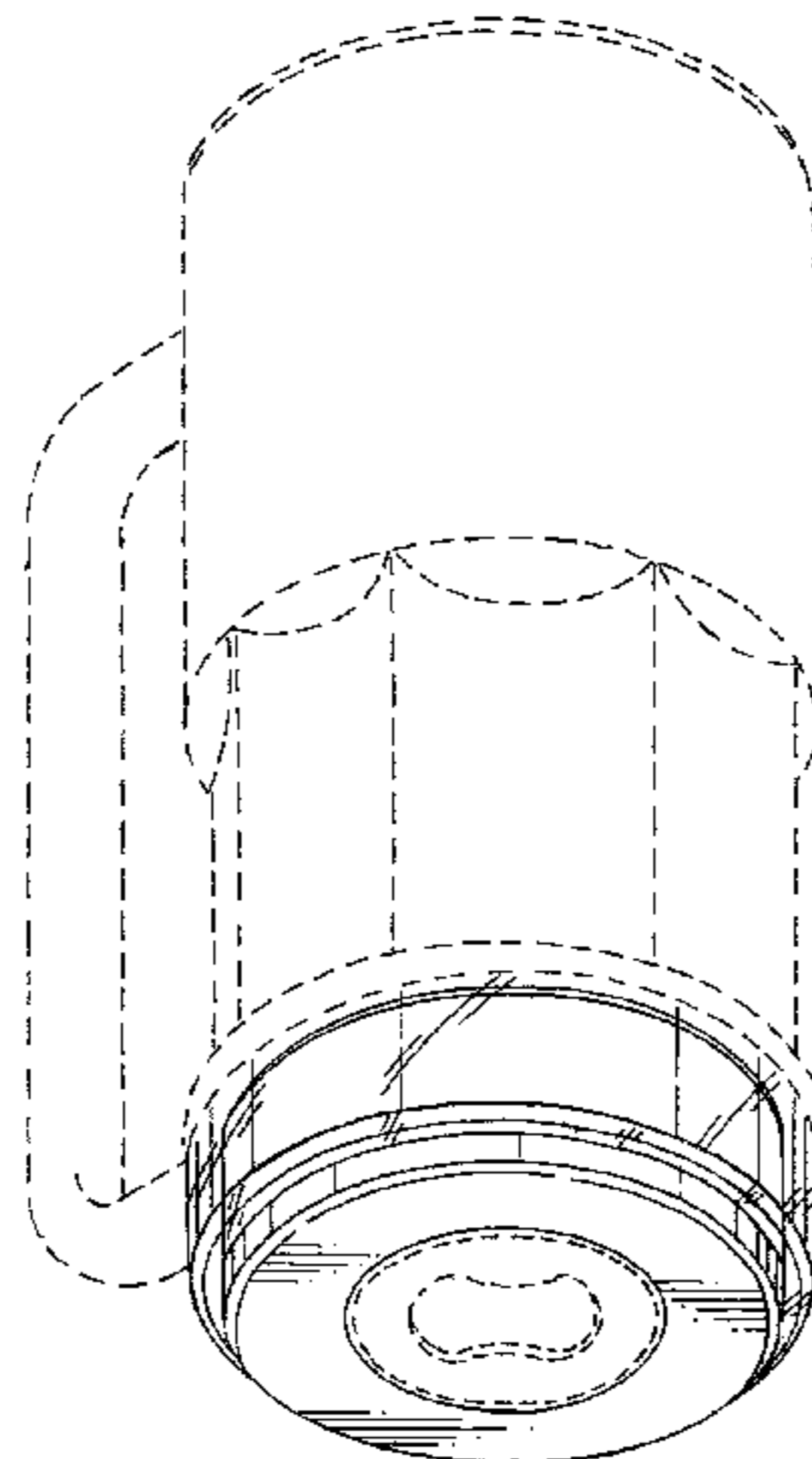
The ornamental design for a mug with a hockey puck bottle opener, as shown and described.

DESCRIPTION

FIG. 1 is a bottom perspective view of a mug with a hockey puck bottle opener showing our new design; FIG. 2 is a front elevation view thereof; FIG. 3 is a rear elevation view thereof; FIG. 4 is a left side elevation view thereof; FIG. 5 is a right side elevation view thereof; FIG. 6 is a top plan view thereof; and, FIG. 7 is a bottom plan view thereof. The broken lines in the drawings depict portions of the mug with a puck bottle opener that form no part of the claimed design.

1 Claim, 6 Drawing Sheets

(56) **References Cited**
U.S. PATENT DOCUMENTS
2,328,872 A * 9/1943 Yealdhall B65D 85/816
206/217
D228,721 S * 10/1973 Burt 215/393
3,887,188 A * 6/1975 Beauchamp A63B 67/14
473/446



(56)

References Cited

U.S. PATENT DOCUMENTS

D527,254 S * 8/2006 Antonelli D9/435
 D553,908 S * 10/2007 Bonini D7/507
 D614,451 S * 4/2010 Jensen D7/607
 D649,836 S * 12/2011 Dooley D7/507
 D688,531 S * 8/2013 Ceder D7/624.2
 D721,924 S * 2/2015 Trafton D7/507
 D726,498 S * 4/2015 Bukhari D7/510
 D733,496 S * 7/2015 Pisarevsky D7/507
 D747,619 S * 1/2016 Hampton D7/316
 D752,391 S * 3/2016 Hatherell D7/510
 D753,437 S * 4/2016 Steel D7/396.2
 D760,048 S * 6/2016 Jordan D8/38
 D785,527 S * 5/2017 Nathan D12/193
 D790,277 S * 6/2017 Mackesy, II D7/507
 D792,220 S * 7/2017 Simons D7/396.2
 D795,643 S * 8/2017 Barlow D7/510
 D814,705 S * 4/2018 Norris D28/82
 2002/0175169 A1 * 11/2002 Tham-itthisak A47G 19/2205
 220/600

2006/0261170 A1* 11/2006 Mooney A47G 19/2227
 235/486
 2008/0098853 A1 5/2008 Choate
 2008/0237242 A1* 10/2008 Gifford A47G 23/0216
 220/592.16
 2009/0255941 A1* 10/2009 Kuntz B65D 23/0885
 220/592.17
 2013/0146048 A1* 6/2013 Hopfe F24S 80/54
 126/704
 2014/0185277 A1* 7/2014 Mongeli A47G 19/2227
 362/157
 2014/0197180 A1* 7/2014 LaPoint A47G 19/2288
 220/592.17

OTHER PUBLICATIONS

<https://youtu.be/W559L9tUblw> Nov. 26, 2014.*
 Brookstong "Pop 'n Pour Beer Mug Bottle Opener Base Heavy
 Clear Glass, Stein, Cup", [http://www.ebay.com/itm/like/332007738165?](http://www.ebay.com/itm/like/332007738165?Ipid=82&chn=ps&ul_noapp=true)
 Ipid=82&chn=ps&ul_noapp=true, downloaded on Nov. 15, 2016.

* cited by examiner

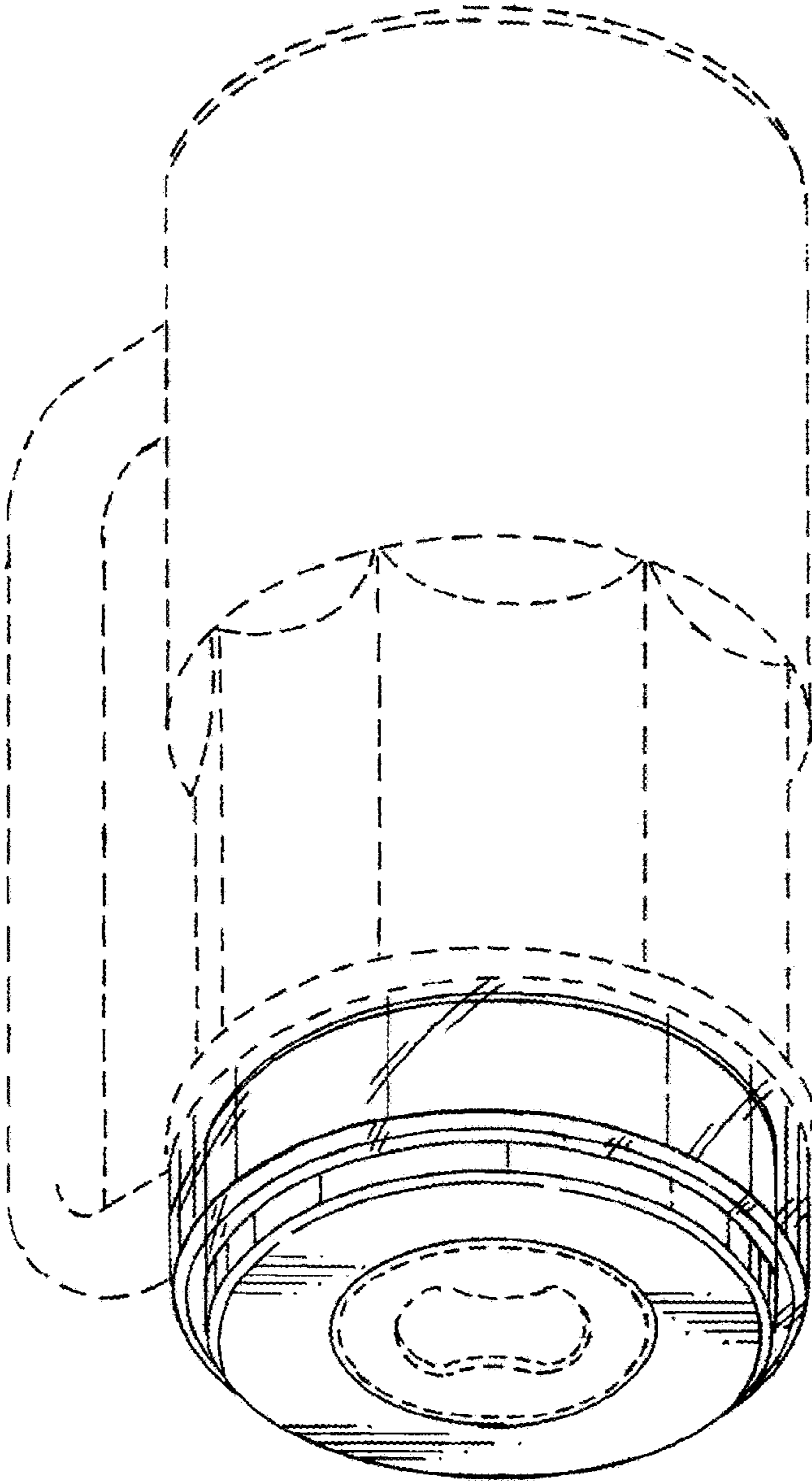


FIG. 1

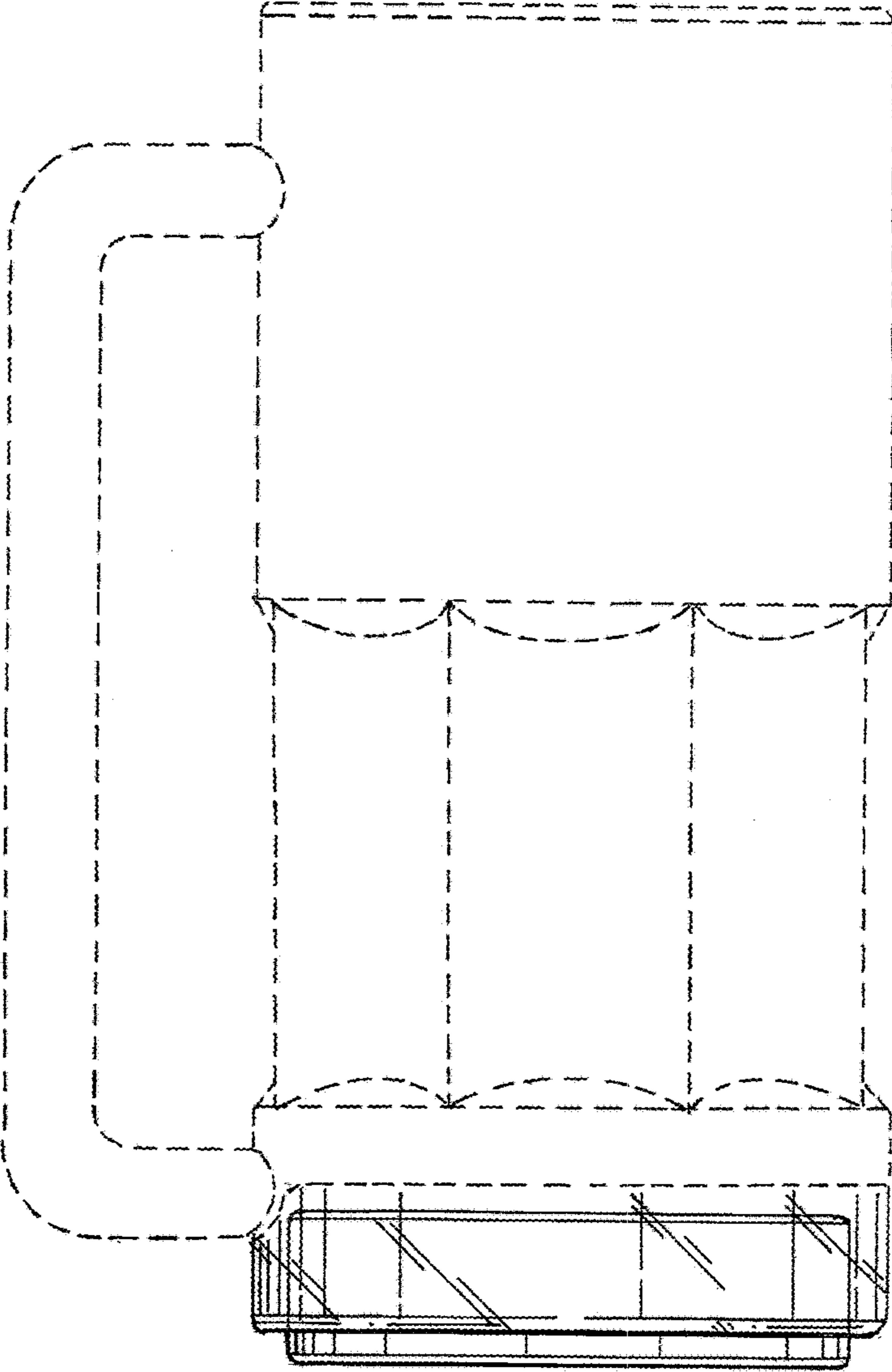


FIG. 2

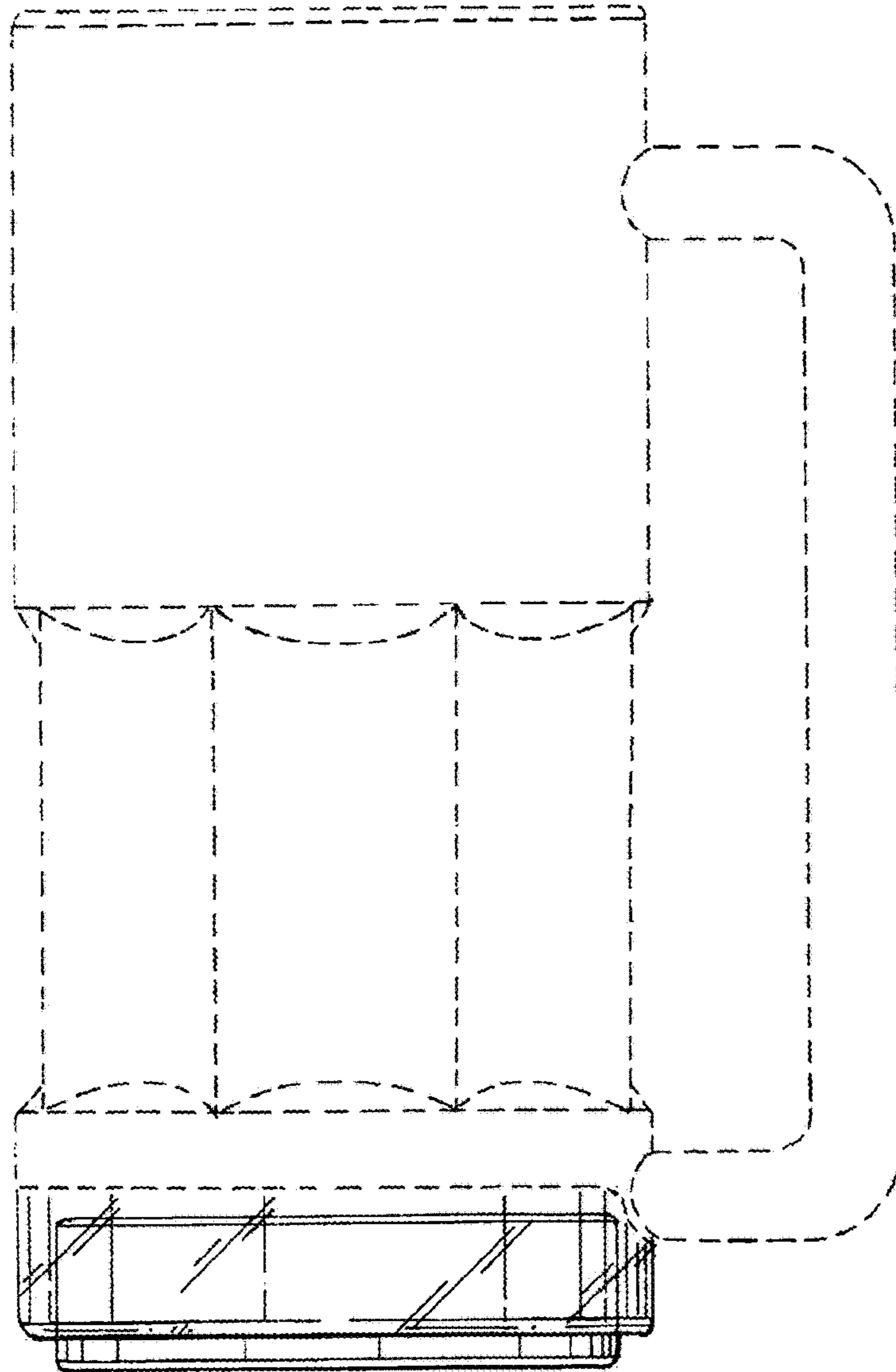


FIG. 3

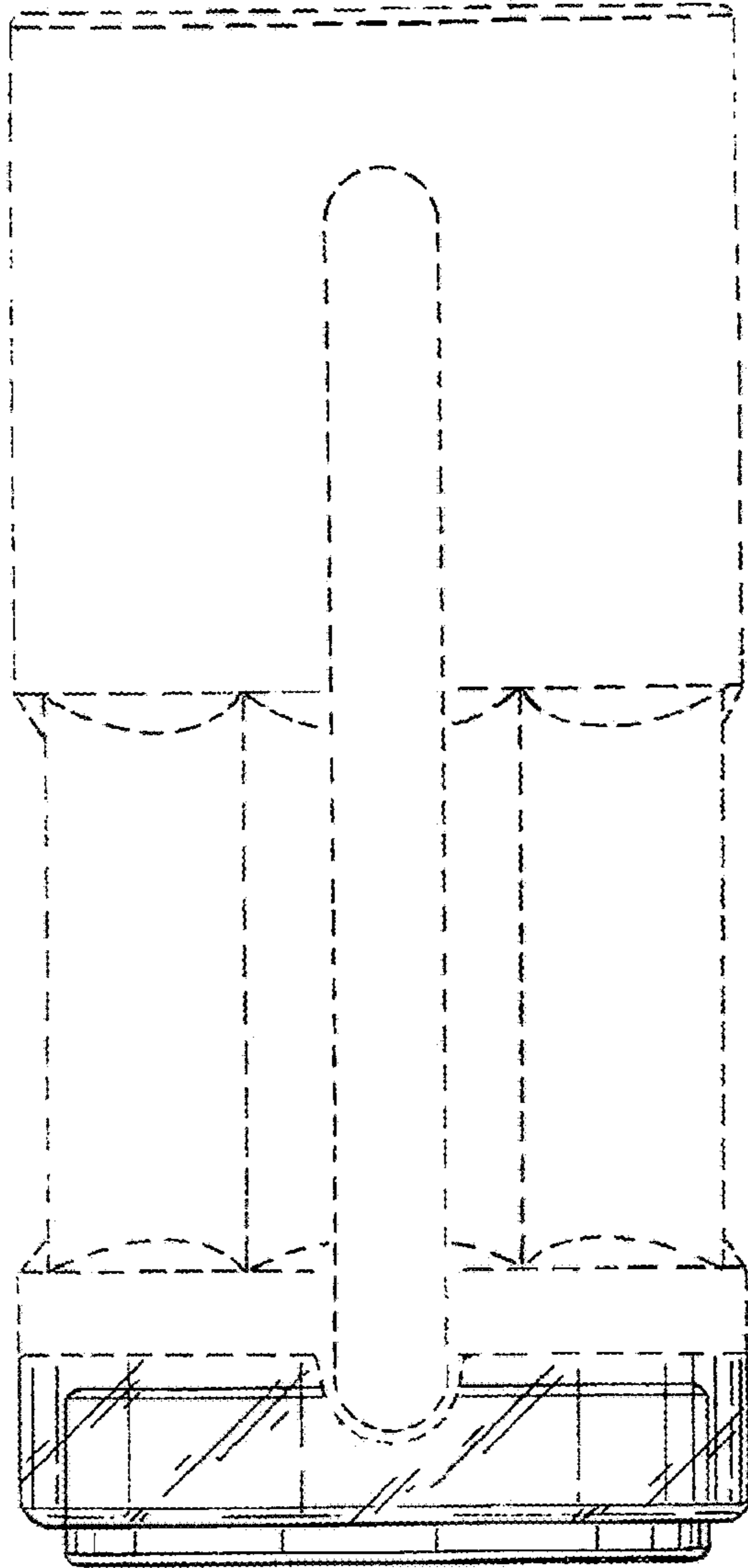


FIG. 4

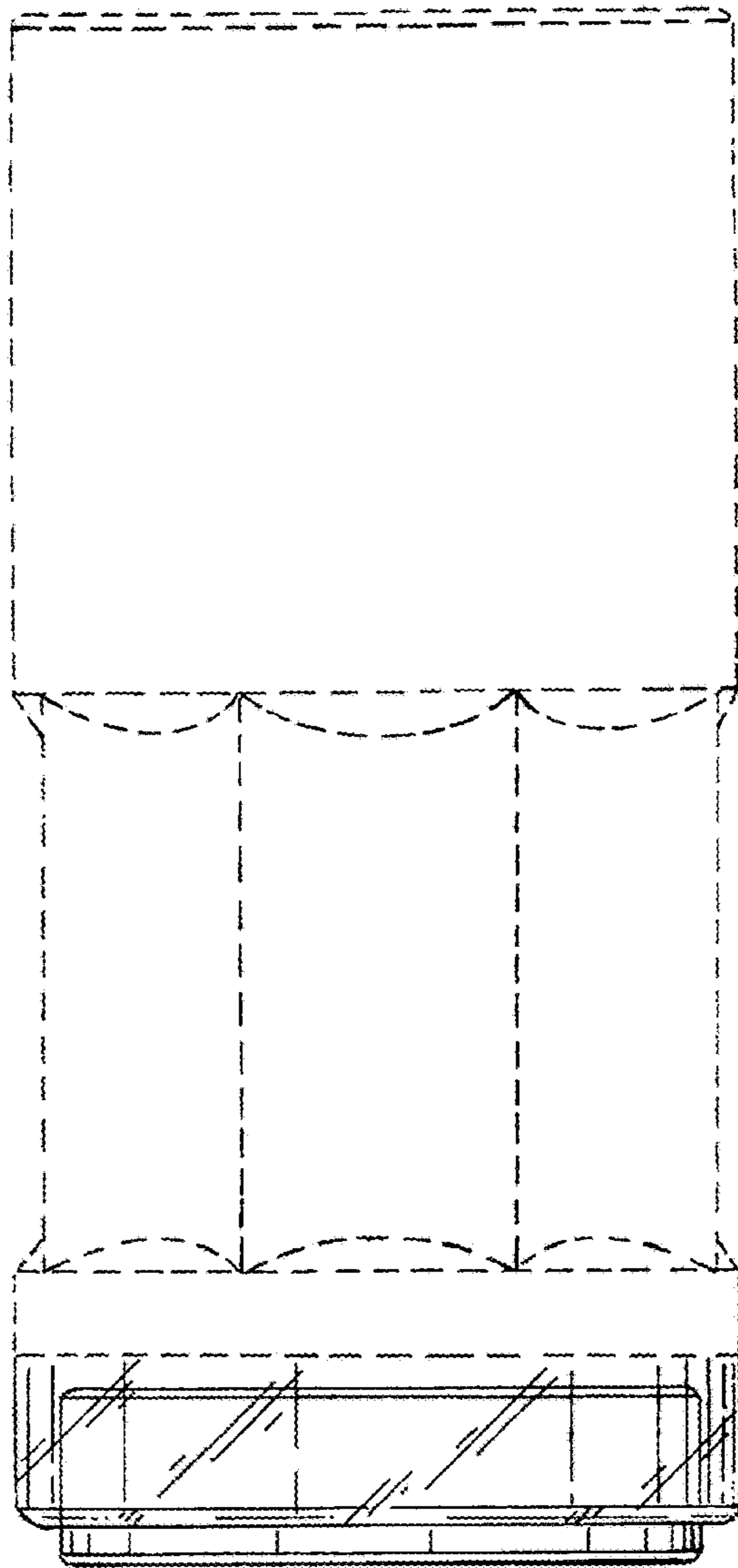


FIG. 5

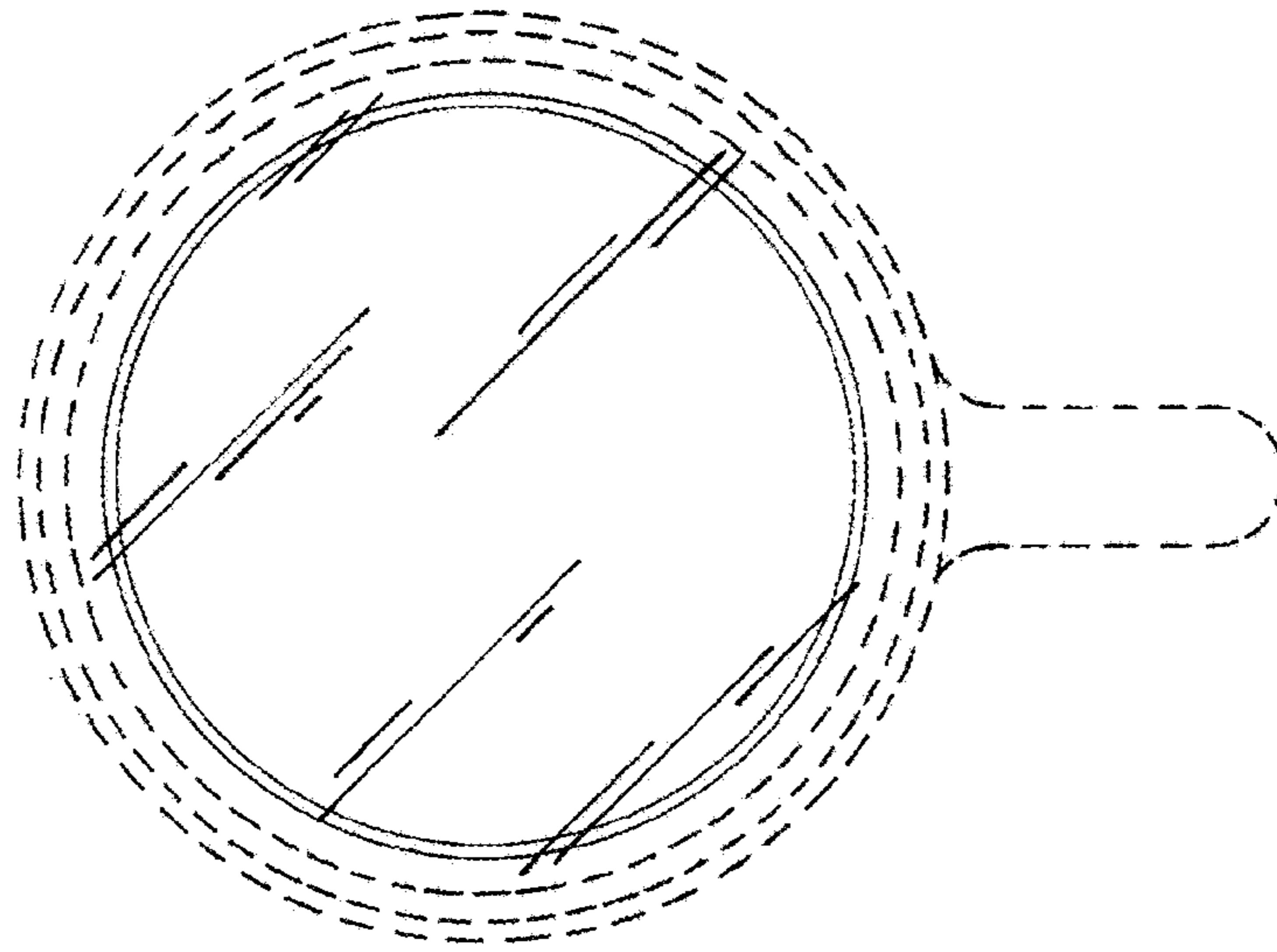


FIG. 6

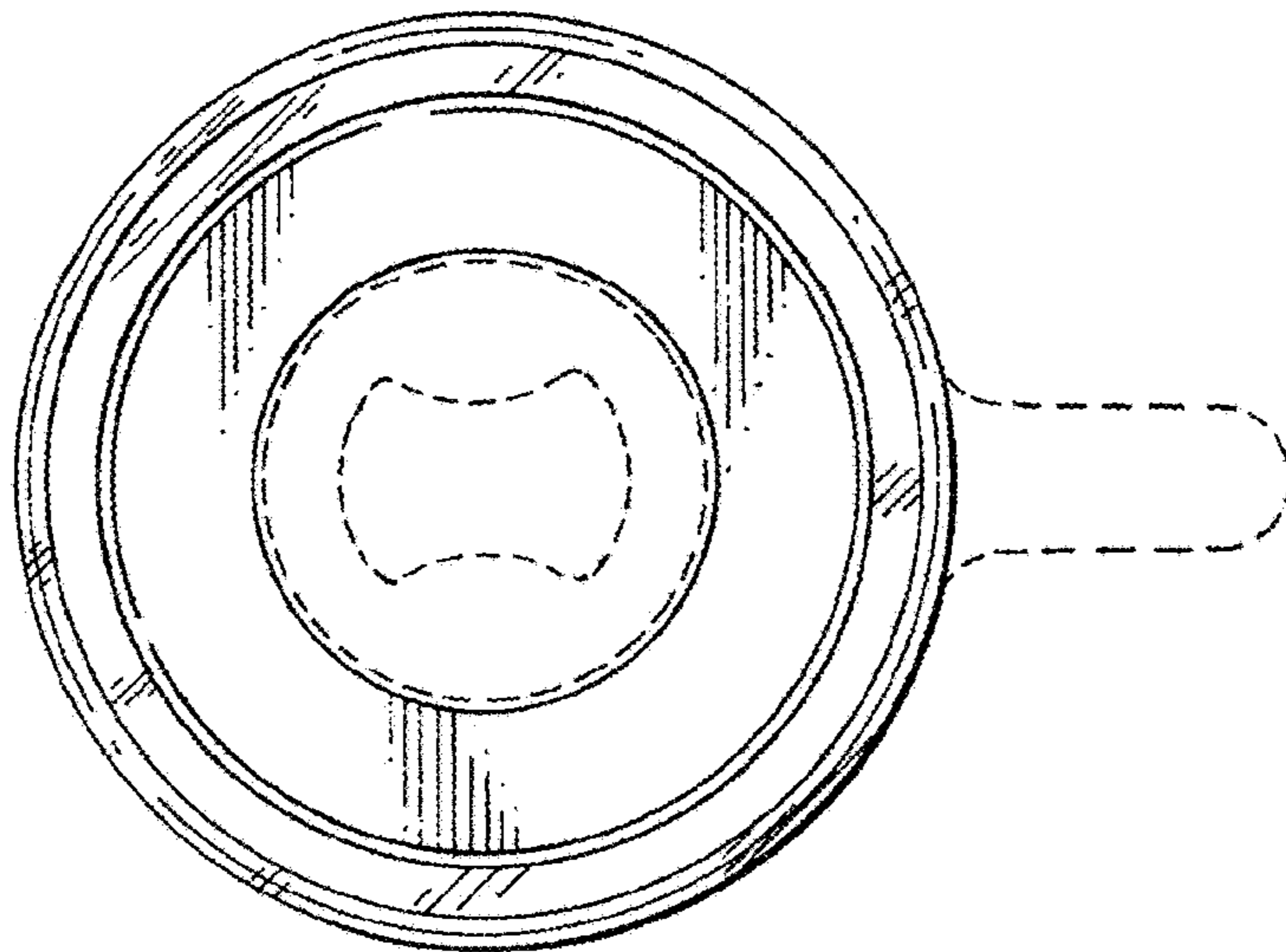


FIG. 7