



US00D845707S

(12) **United States Design Patent**
Hoff et al.

(10) **Patent No.:** **US D845,707 S**
(45) **Date of Patent:** **** Apr. 16, 2019**

(54) **PREPARATION AND COOKING APPLIANCE**

FOREIGN PATENT DOCUMENTS

(71) Applicant: **Access Business Group International LLC**, Ada, MI (US)

EP 1932458 6/2008
EP 2298144 3/2011

(Continued)

(72) Inventors: **Susan K. Hoff**, Belmont, MI (US);
Matthew Wright, Suffolk (GB)

OTHER PUBLICATIONS

(73) Assignee: **Access Business Group International LLC**, Ada, MI (US)

MasterSous: A Revolutionary All-in-One Cooking Device by James Collins, <https://www.kickstarter.com/projects/488753470/mastersoustm-a-revolutionary-all-in-one-cooking-de>, pp. 1-22, believed to be publicly available at least as early as Dec. 11, 2017.

(**) Term: **15 Years**

(21) Appl. No.: **29/671,497**

Primary Examiner — Ricky Pham

(22) Filed: **Nov. 28, 2018**

(74) *Attorney, Agent, or Firm* — Warner Norcross + Judd LLP

Related U.S. Application Data

(62) Division of application No. 29/629,164, filed on Dec. 12, 2017.

(57) **CLAIM**

(51) **LOC (11) Cl.** **31-00**

The ornamental design for preparation and cooking appliance, as shown and described.

(52) **U.S. Cl.**

USPC **D7/413**; D7/376; D7/378; D7/384

(58) **Field of Classification Search**

USPC D7/372, 376-386, 412-413, 602, 629,
D7/665-666, 669, 679, 693-694

CPC A21C 1/02; A21C 1/04; A23N 1/00; A23N 1/02; A47J 27/004; A47J 43/04; A47J 43/25; A47J 43/27; A47J 43/042; A47J 43/044; A47J 43/046; A47J 43/075; A47J 43/0722; A47J 43/0727; B01F 3/00; B01F 3/0807; B01F 3/0853; B01F 13/0059; B01F 13/0064; B02C 1/08; B02C 2/04; B02C 4/42; B02C 4/142; B02C 4/143; B02C

(Continued)

DESCRIPTION

FIG. 1 is a perspective view of the preparation and cooking appliance of the new design;
FIG. 2 is a right side view thereof;
FIG. 3 is a left side view thereof;
FIG. 4 is a front view thereof;
FIG. 5 is a rear view thereof;
FIG. 6 is a top view thereof; and,
FIG. 7 is a bottom view thereof.

The claimed portions of the preparation and cooking appliance are shaded. FIGS. 1-7 show features of the preparation and cooking appliance in broken lines. These features are shown for environmental purposes and do not form any part of the claimed design. Further, the broken lines immediately adjacent the solid-line portions of the design form the boundary of the design, with the broken lines forming no part of the claimed design.

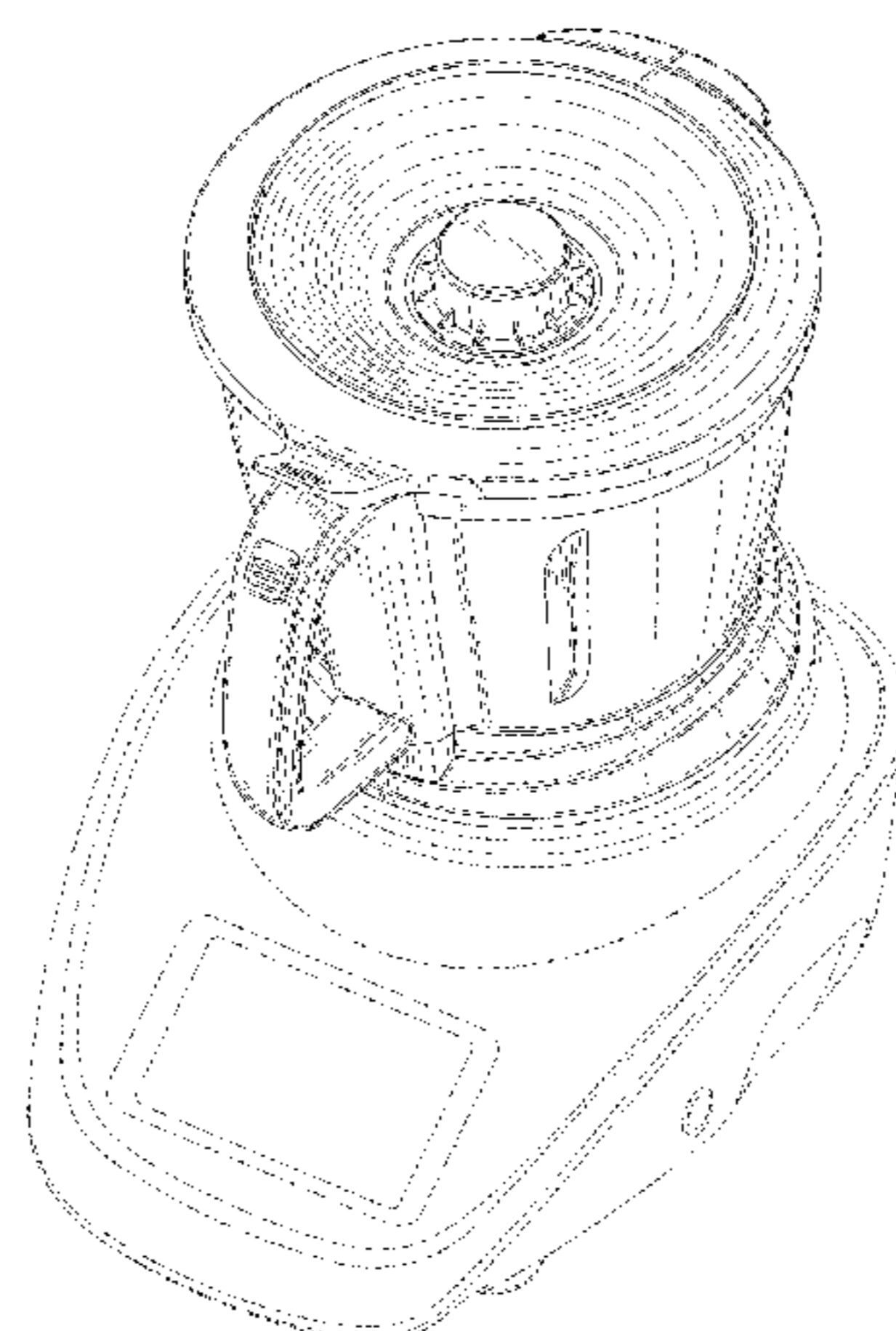
(56) **References Cited**

U.S. PATENT DOCUMENTS

D191,152 S 8/1961 Rawson et al.
3,176,968 A 4/1965 Appleton
D383,642 S 9/1997 Feil

(Continued)

1 Claim, 6 Drawing Sheets



(58) **Field of Classification Search**
 CPC 4/423; B02C 13/1835; B28C 5/10; B28C
 5/12; B28C 5/14; B28C 5/16
 See application file for complete search history.

(56) **References Cited**

U.S. PATENT DOCUMENTS

D385,149 S	10/1997	Feil	
D404,247 S *	1/1999	Spagnolo	A47J 27/004 D7/378
D404,606 S *	1/1999	Huang	A47J 43/046 D7/378
D445,634 S *	7/2001	Feil	D7/378
D475,238 S	6/2003	Feil	
D532,251 S	11/2006	Kassenaar	
D542,084 S *	5/2007	Moore	D7/384
D542,086 S	5/2007	Moore	
D638,653 S	5/2011	Borin	
7,959,347 B2	6/2011	Pryor, Jr. et al.	
D641,197 S	7/2011	Borin	
D645,301 S *	9/2011	Tse	D7/376
8,147,125 B2	4/2012	Boozer et al.	
D671,356 S *	11/2012	Huang	D7/376
D688,911 S	9/2013	Chiarini	
8,941,033 B2	1/2015	De'Longhi	
D735,523 S *	8/2015	Mishima	D7/376
D745,316 S	12/2015	Usmar	

9,211,028 B2	12/2015	Cheung et al.	
D750,936 S	3/2016	Kemker et al.	
D751,857 S *	3/2016	Kemker	D7/376
D761,615 S	7/2016	Dickson, Jr. et al.	
D772,001 S *	11/2016	Kemker	D7/376
D788,521 S	6/2017	Blaise	
D796,896 S *	9/2017	Blaise	D7/376
D798,101 S *	9/2017	Rose	D7/376
9,924,825 B2	3/2018	Zakowski et al.	
10,028,616 B2	7/2018	Nespoux et al.	
2002/0027175 A1 *	3/2002	Capp	A47J 43/046 241/199.12
2003/0193833 A1	10/2003	Wulf et al.	
2006/0263501 A1 *	11/2006	Oghafua	A47J 27/004 426/523
2008/0223963 A1	9/2008	Mally	
2013/0077433 A1	3/2013	Conti	
2013/0134246 A1	5/2013	Gushwa	
2014/0117130 A1	5/2014	Conti et al.	
2015/0041577 A1	2/2015	Paget	
2017/0099984 A1	4/2017	Koetz	

FOREIGN PATENT DOCUMENTS

WO	2006092500	9/2006
WO	2008068406	6/2008
WO	2015075476	5/2015
WO	2016101157	6/2016

* cited by examiner

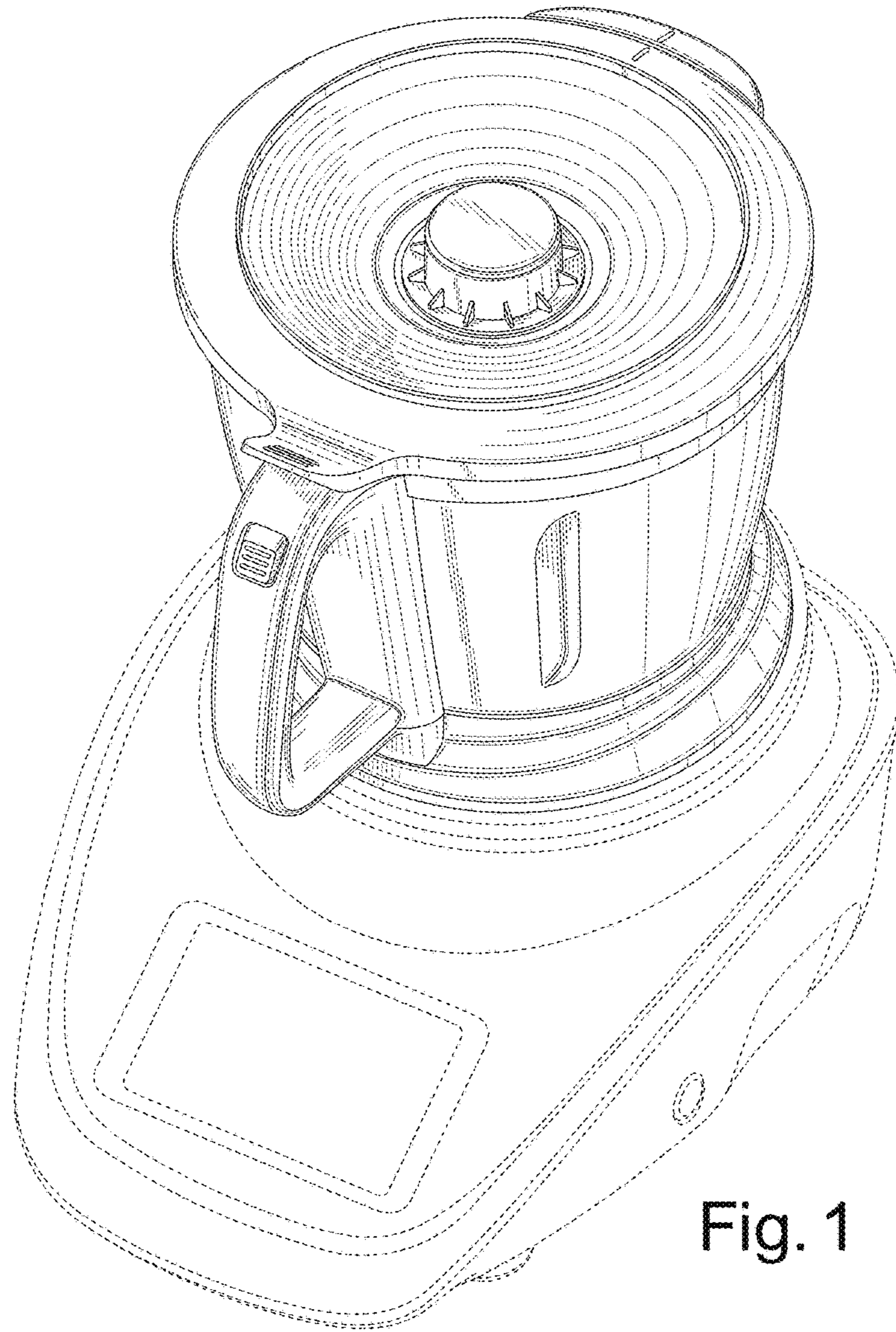


Fig. 1

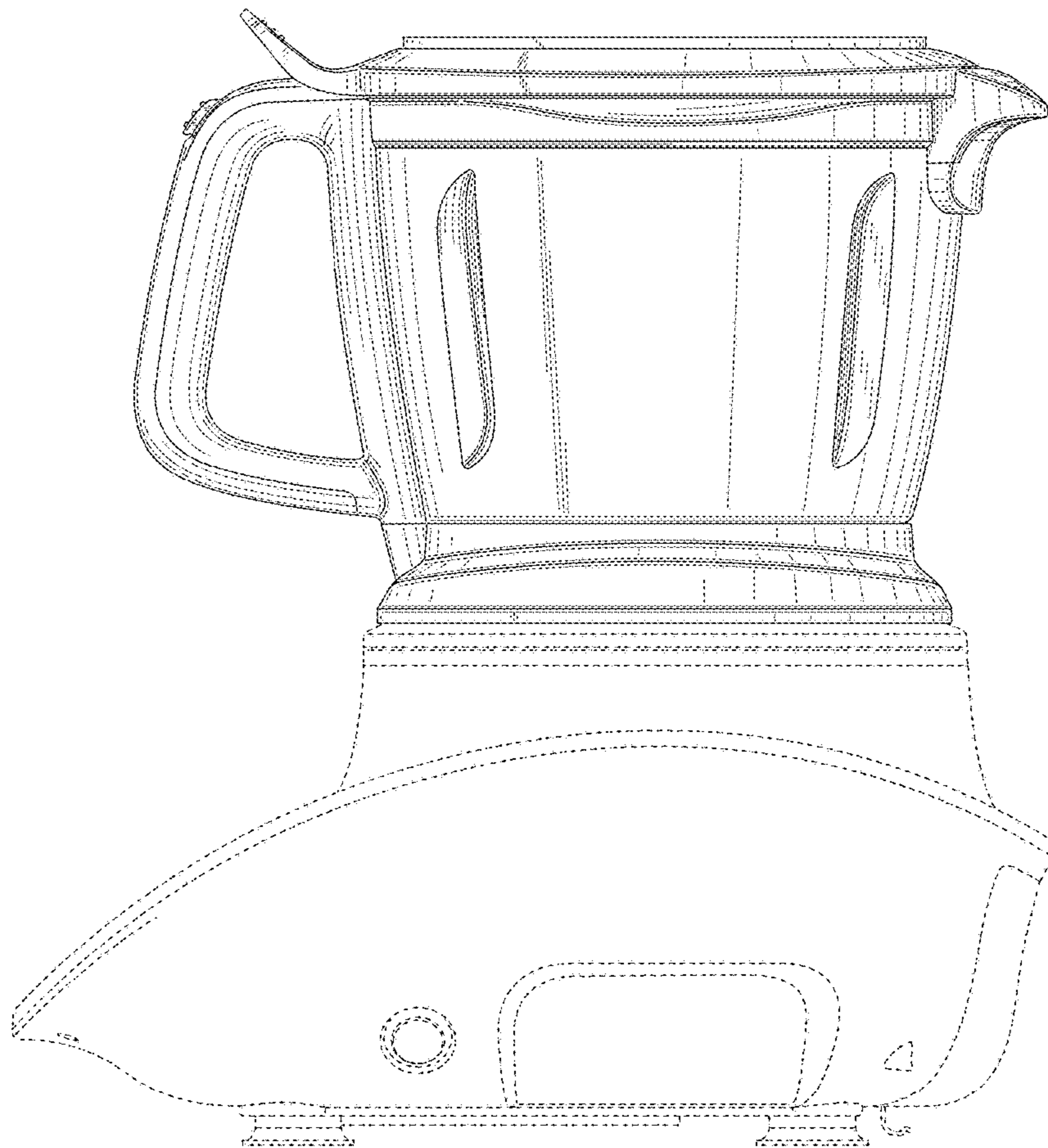


Fig. 2

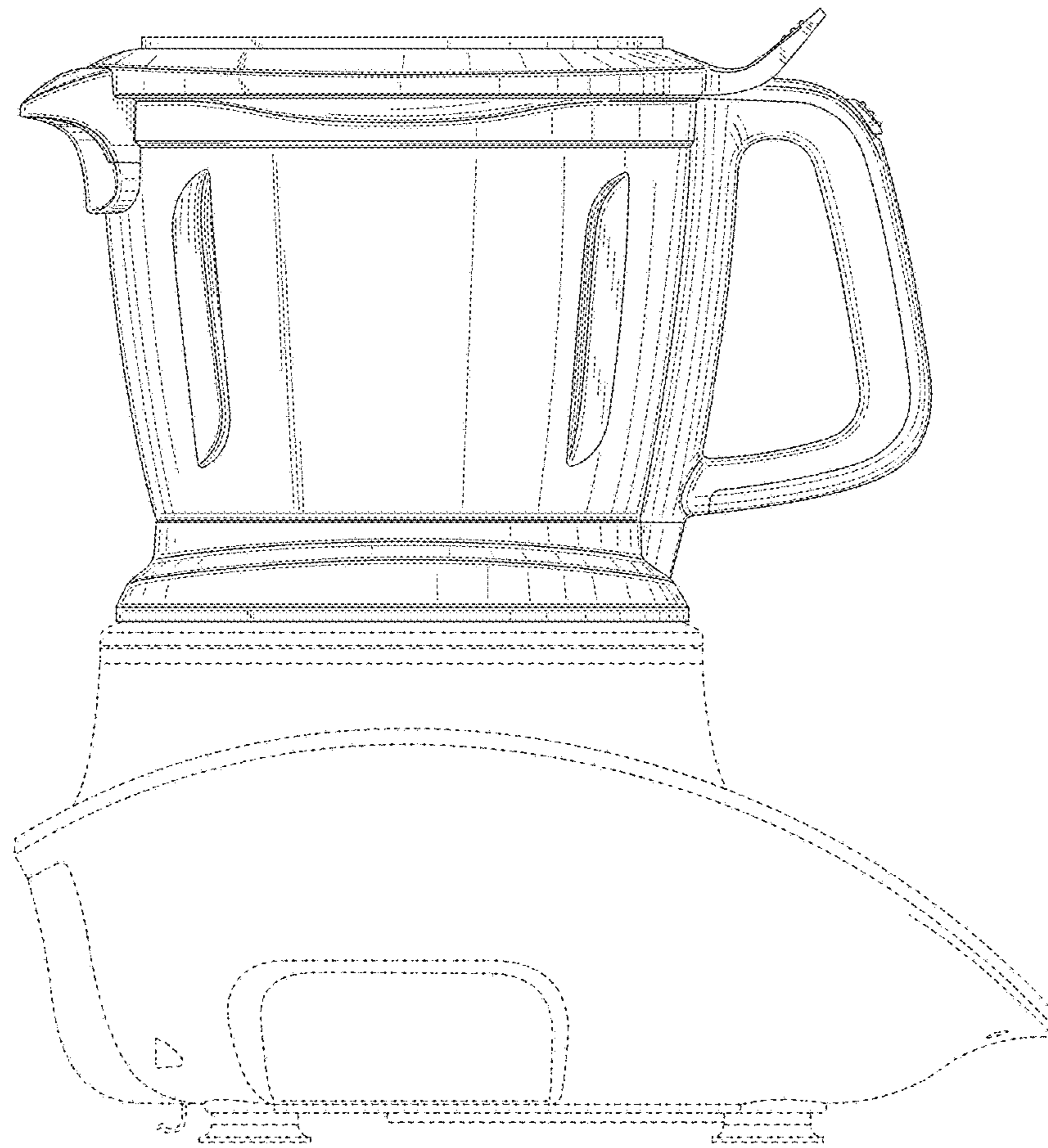


Fig. 3

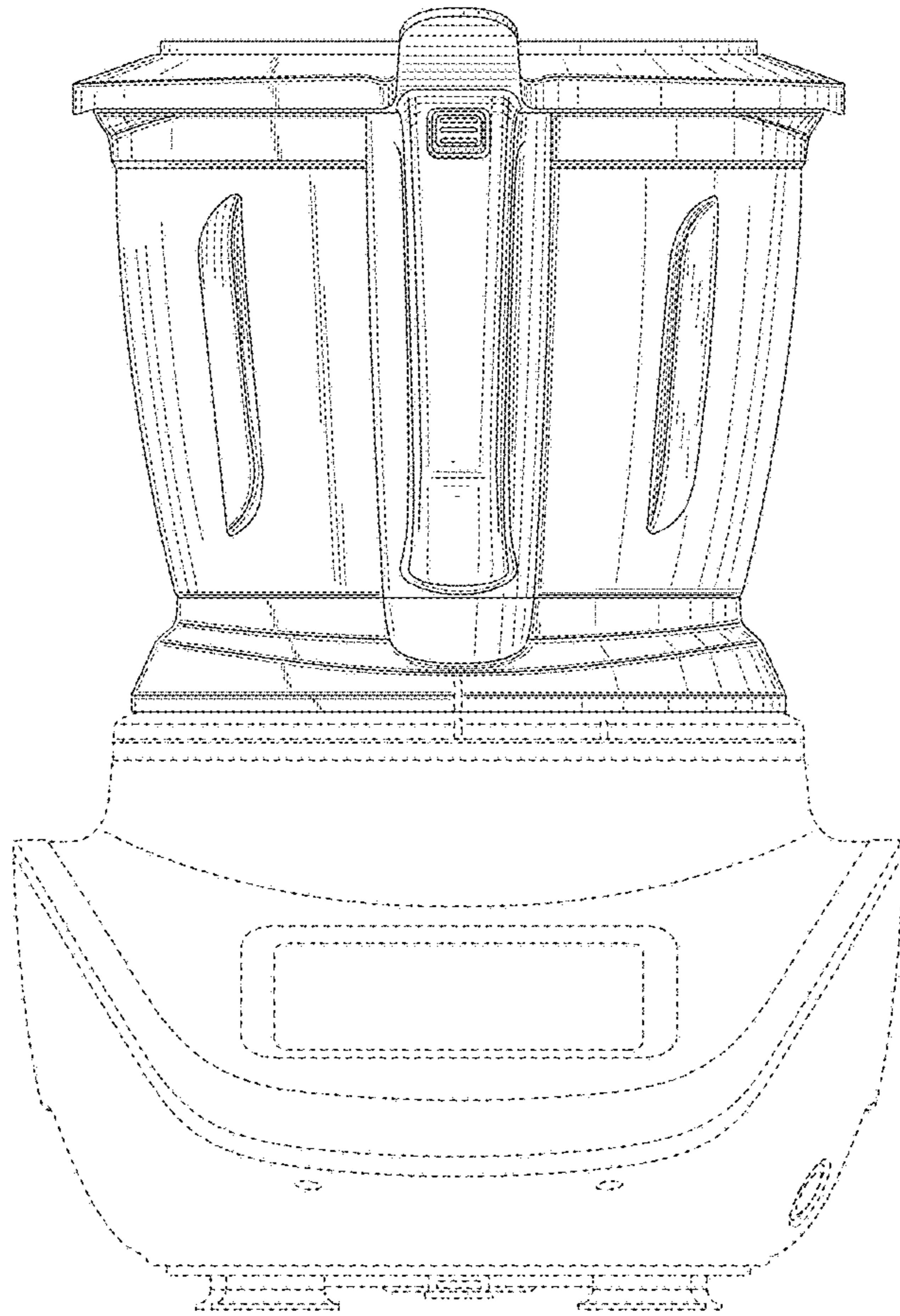


Fig. 4

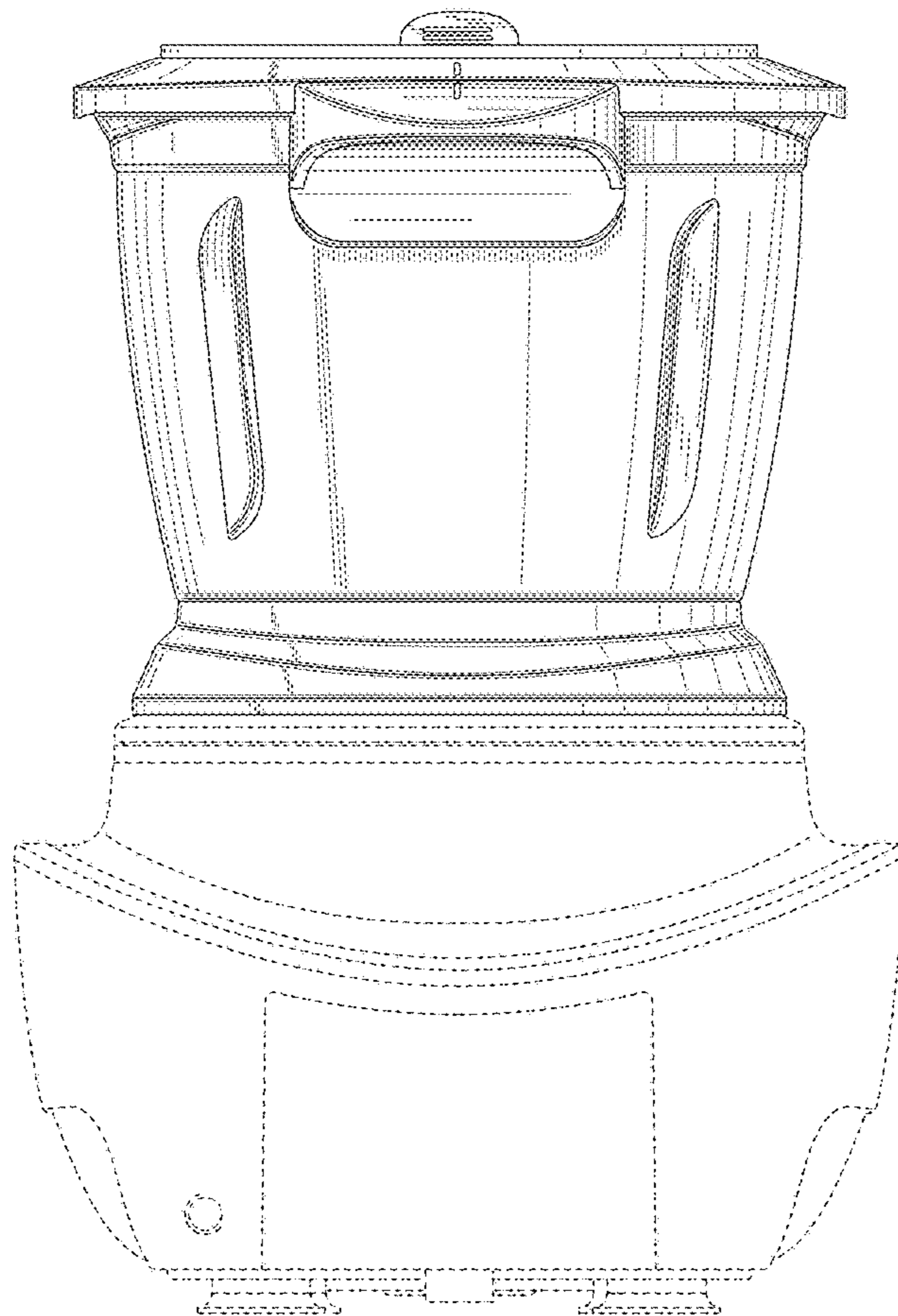


Fig. 5

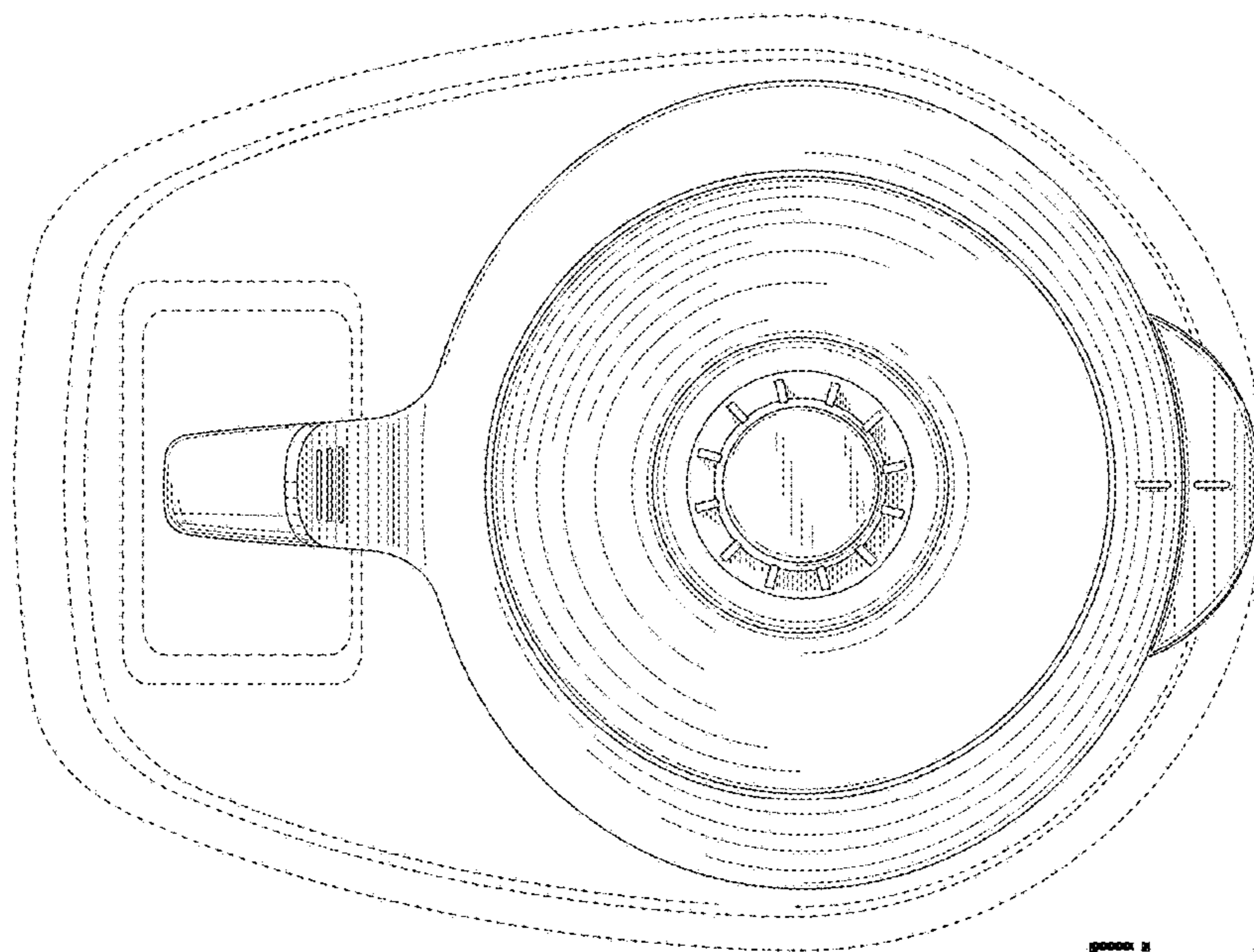


Fig. 6

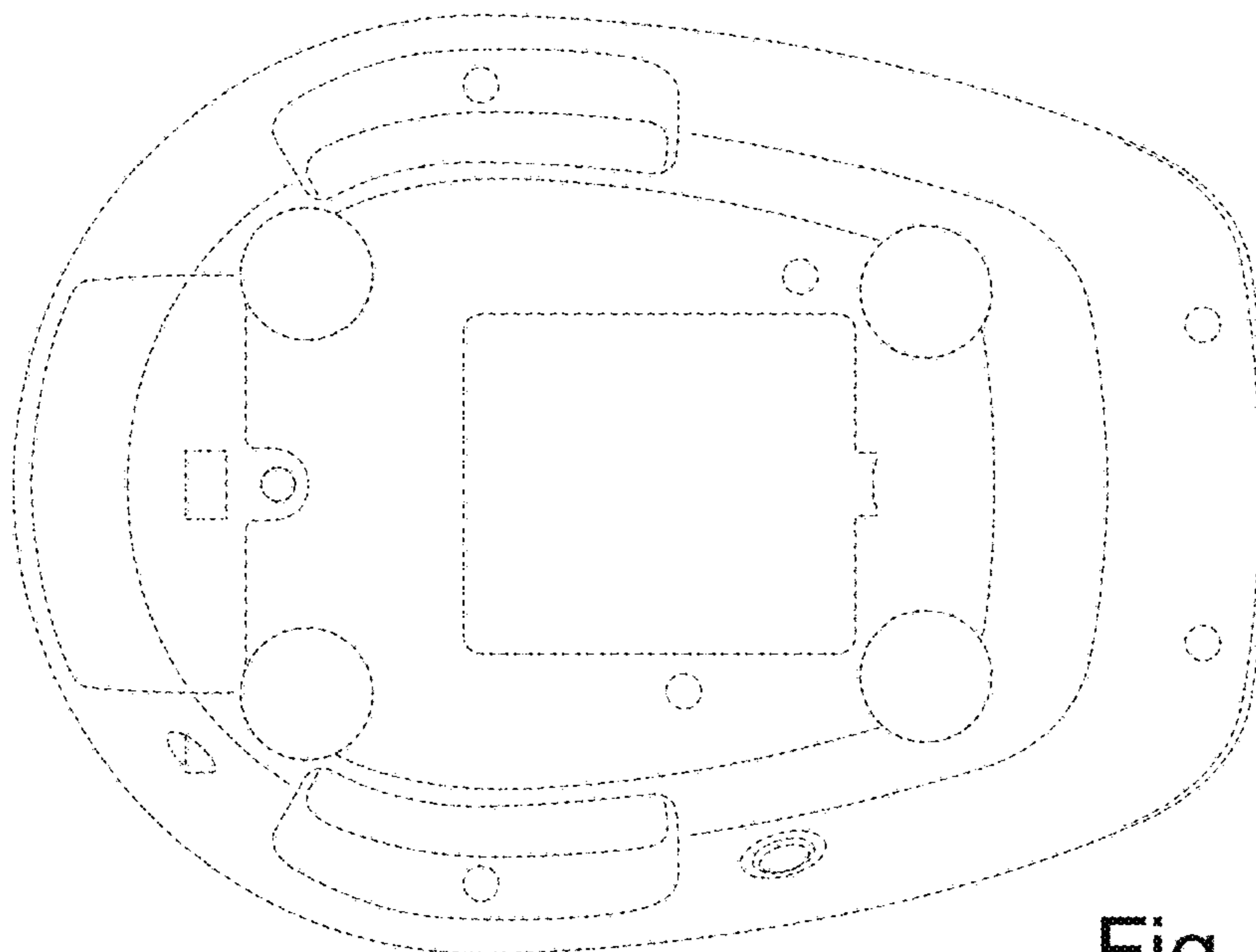


Fig. 7