



US00D845706S

(12) **United States Design Patent** (10) **Patent No.:** **US D845,706 S**
Lamson (45) **Date of Patent:** **** Apr. 16, 2019**

(54) **GRILL PARTITION**
(71) Applicant: **Harold Lamson**, Waterloo, NY (US)
(72) Inventor: **Harold Lamson**, Waterloo, NY (US)
(**) Term: **15 Years**
(21) Appl. No.: **29/636,820**
(22) Filed: **Feb. 12, 2018**
(51) **LOC (11) Cl.** **07-02**
(52) **U.S. Cl.**
USPC **D7/402**
(58) **Field of Classification Search**
USPC D7/402–409, 332, 337, 339–341,
D7/346–349, 350.1–351, 362–363, 323,
D7/550.1, 552.1, 554.3, 554.4; D8/315,
D8/300
CPC A47J 37/0786; F24C 15/16; F24C 3/082;
F24C 3/085; F24C 7/083
See application file for complete search history.

D633,335 S * 3/2011 Groll D7/402
D638,661 S * 5/2011 Schroeter D7/402
D693,622 S * 11/2013 Weyandt D7/332
D728,308 S * 5/2015 Barford D7/402
D729,572 S * 5/2015 Moran D7/402
9,289,096 B2 3/2016 Barkhouse et al.
2007/0044785 A1 * 3/2007 Malafouris A47J 37/0704
126/25 R
2007/0113837 A1 * 5/2007 Liu A47J 36/12
126/25 R
2013/0319398 A1 * 12/2013 Braden F24C 15/04
126/200
2015/0040776 A1 2/2015 Emig
2016/0262569 A1 9/2016 Parrish et al.

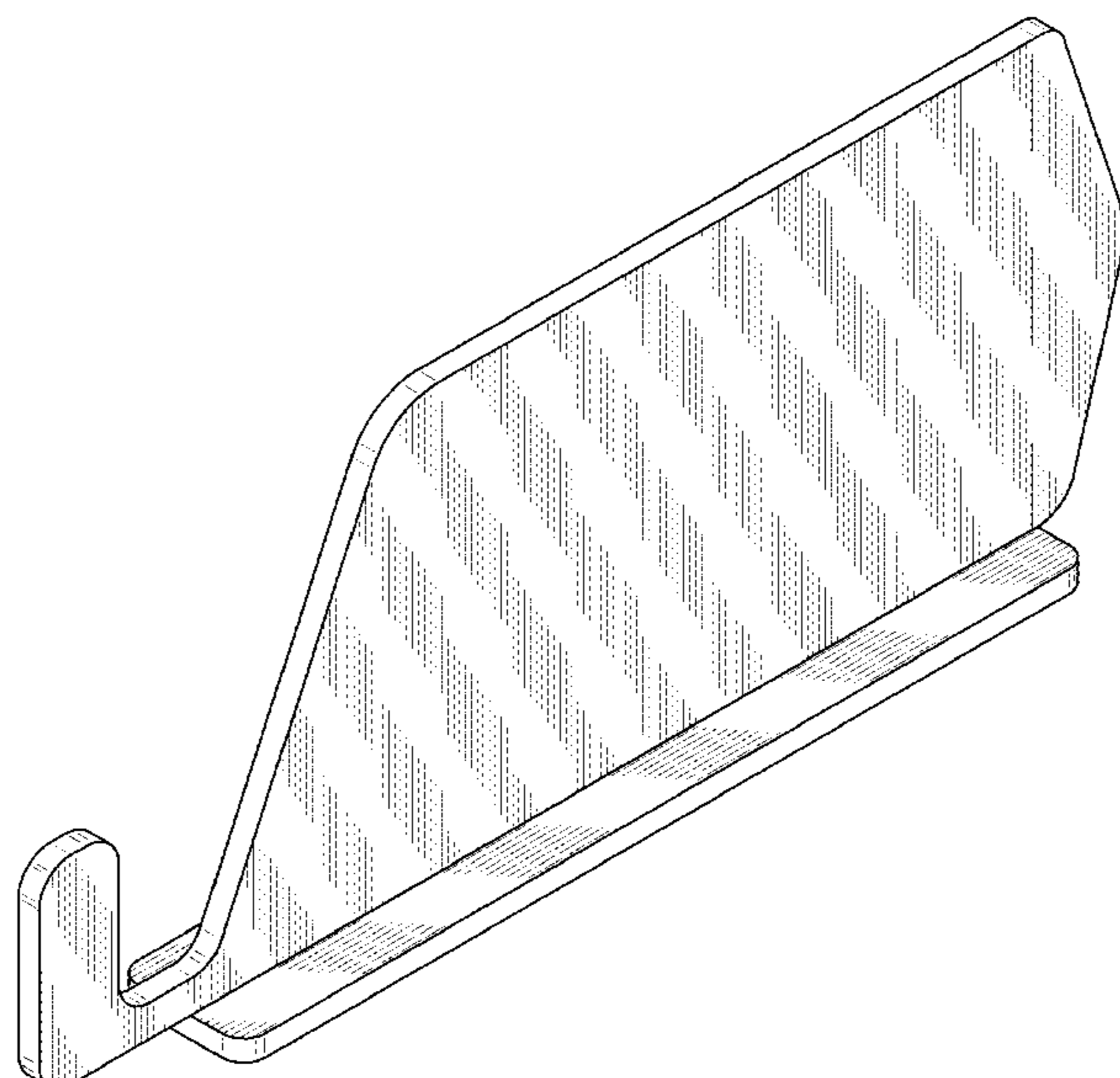
* cited by examiner
Primary Examiner — Sheryl Lane
Assistant Examiner — Nicole C Shiflet
(74) *Attorney, Agent, or Firm* — Goldstein Law Offices,
P.C.

(57) **CLAIM**
The ornamental design for a grill partition, as shown and described.

(56) **References Cited**
U.S. PATENT DOCUMENTS
5,163,358 A 11/1992 Hanagan et al.
5,615,666 A 4/1997 Ransom
D393,981 S * 5/1998 Lipkowitz D7/552.1
D396,169 S * 7/1998 Williamson D7/402
6,065,464 A 5/2000 Zajec
D546,627 S * 7/2007 Price D7/552.1
D551,499 S * 9/2007 Bruno D7/402
D564,834 S * 3/2008 Bruno D7/402

DESCRIPTION
FIG. 1 is a perspective view of the grill partition in full lines.
FIG. 2 is a front elevational view of the grill partition.
FIG. 3 is a rear elevational view thereof.
FIG. 4 is a right side elevational view thereof.
FIG. 5 is a left side elevational view thereof.
FIG. 6 is a top plan view thereof; and,
FIG. 7 is a bottom plan view thereof.

1 Claim, 4 Drawing Sheets



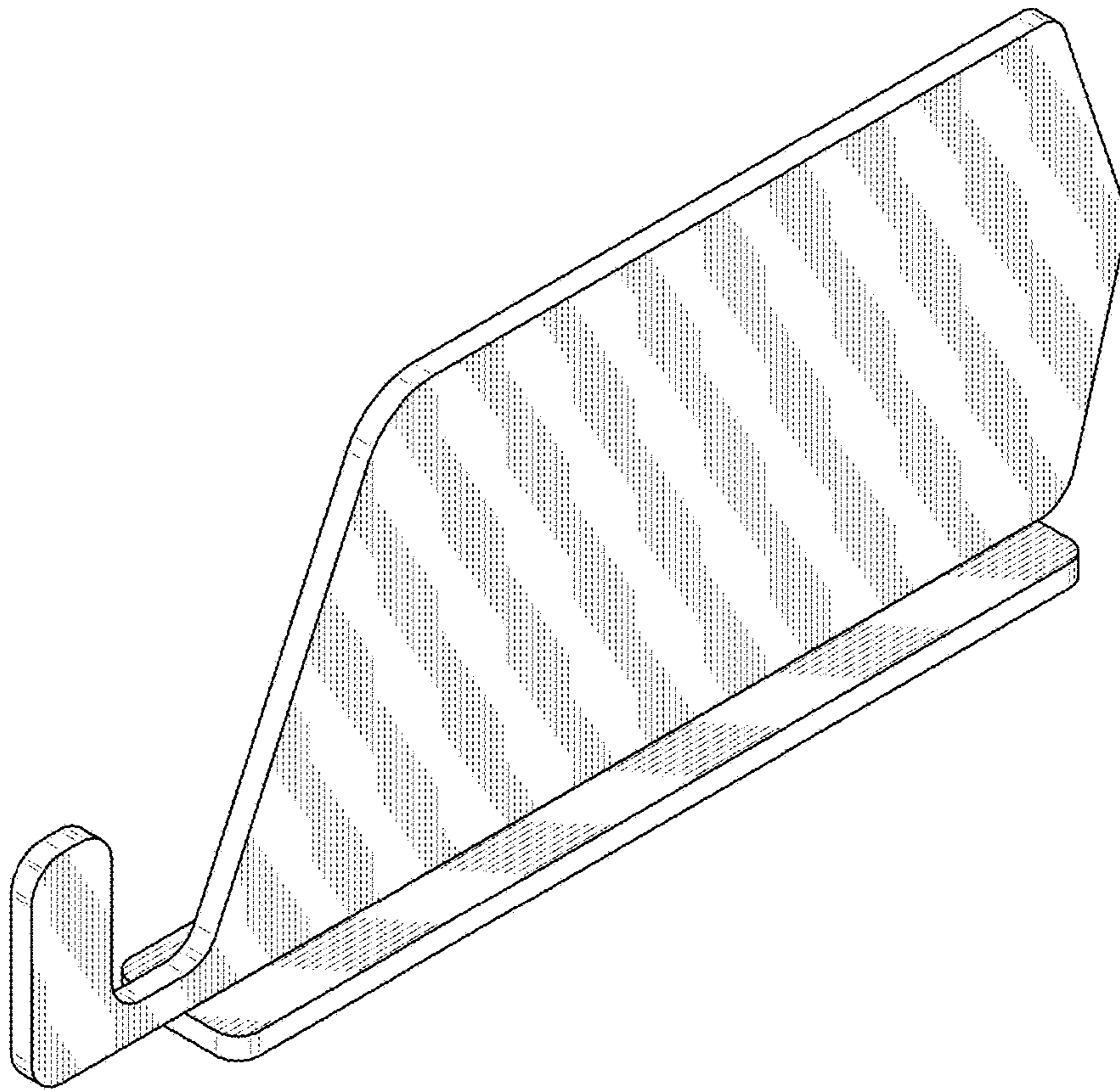


FIG. 1

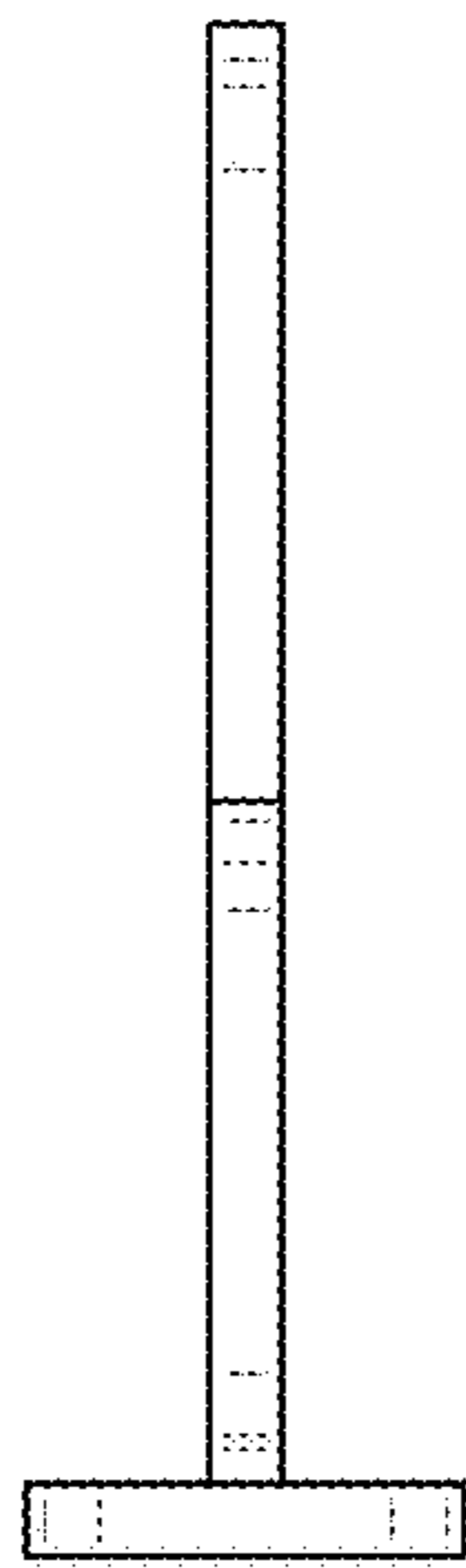


FIG. 2

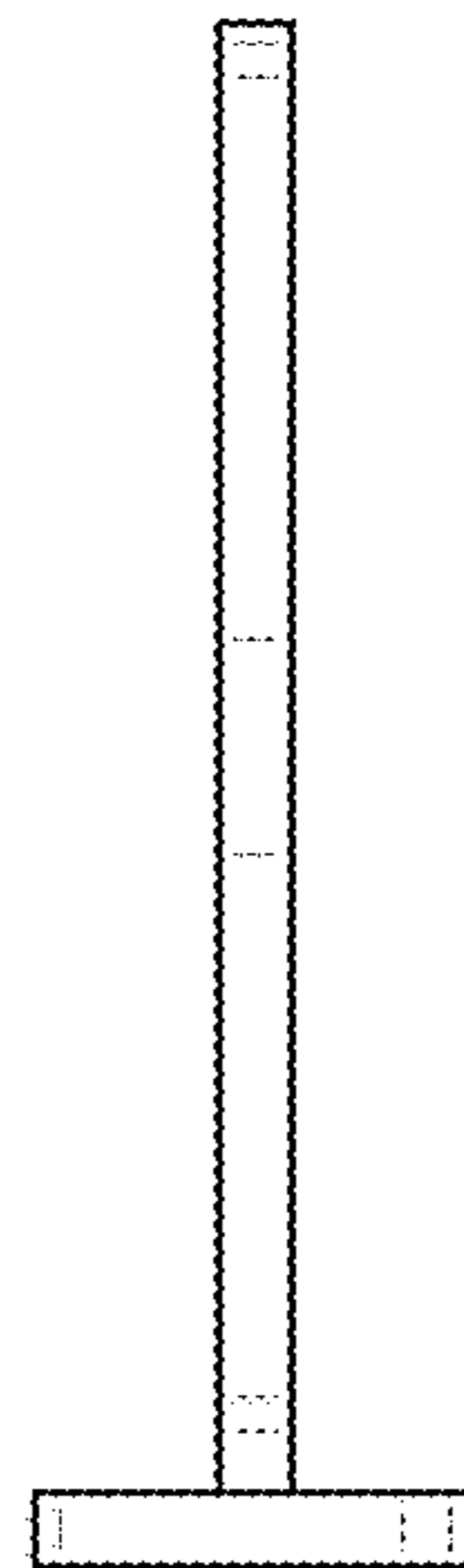


FIG. 3

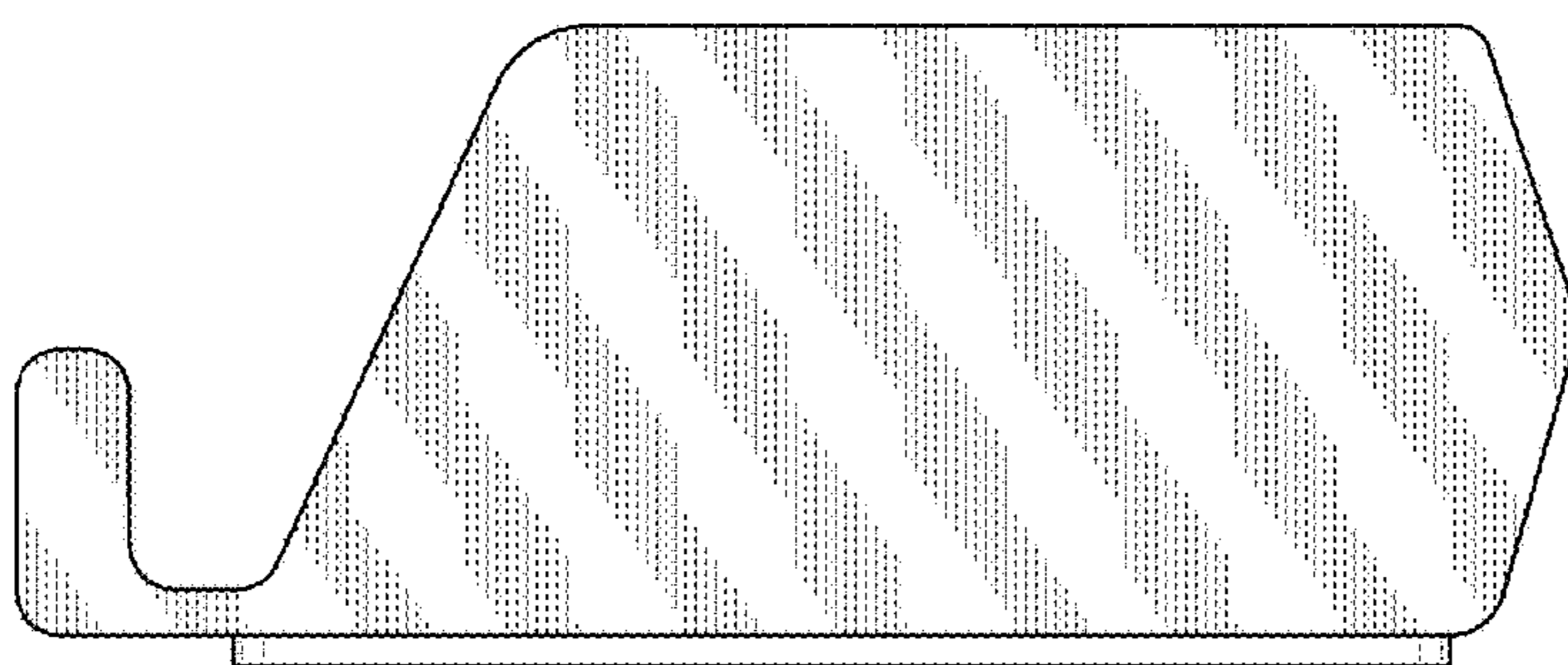


FIG. 4

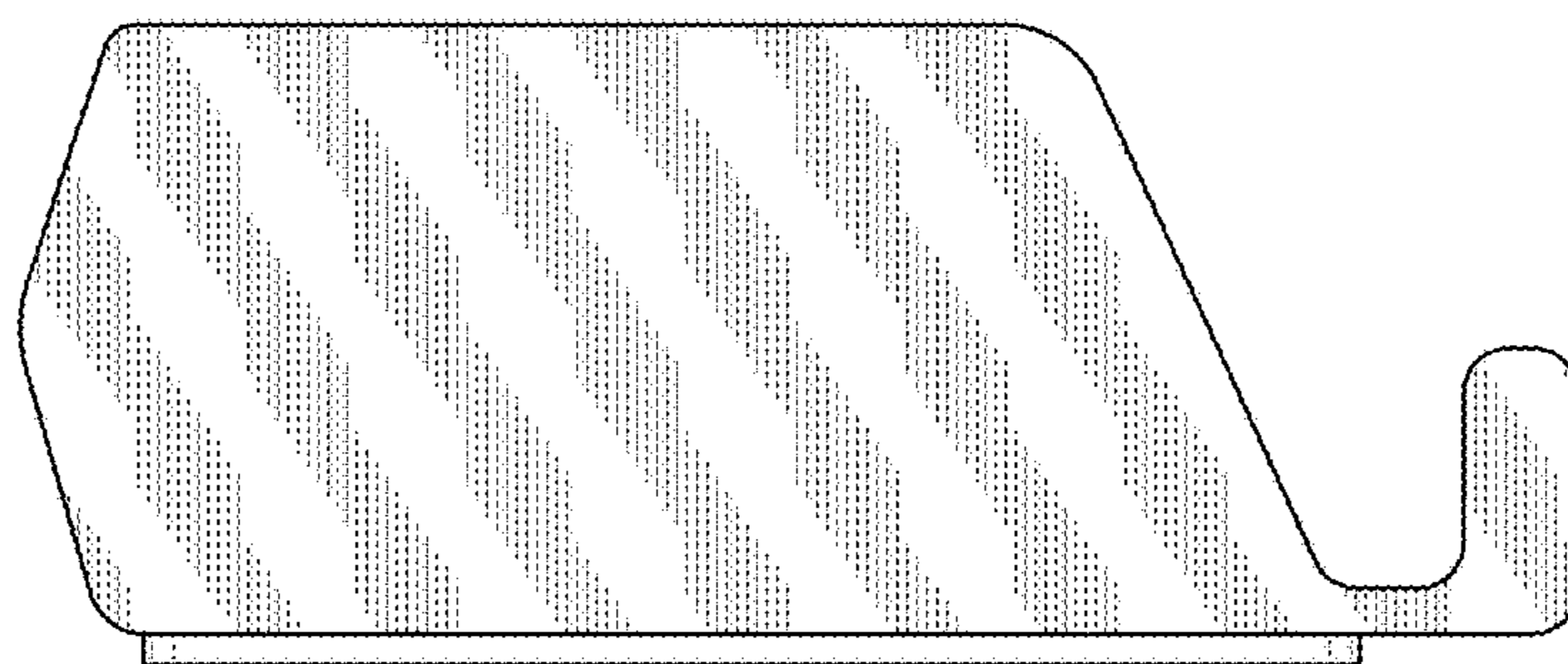


FIG. 5



FIG. 6

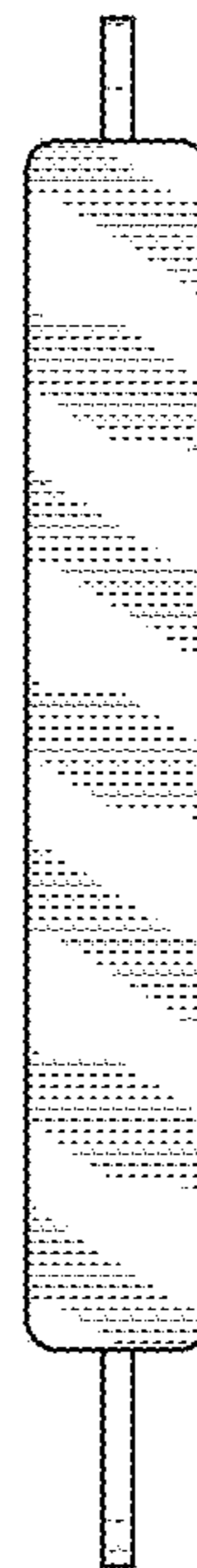


FIG. 7