



US00D845705S

(12) **United States Design Patent**
Simonazzi

(10) **Patent No.:** **US D845,705 S**
(45) **Date of Patent:** **** Apr. 16, 2019**

(54) **COFFEE CAPSULE**

(71) Applicant: **FLO—SOCIETÀ PER AZIONI**,
Fontanellato (PR) (IT)

(72) Inventor: **Daniele Simonazzi**, Sant’ilario d’Enza
(RE) (IT)

(73) Assignee: **FLO—SOCIETÀ PER AZIONI**,
Fontanello (PR) (IT)

(**) Term: **15 Years**

(21) Appl. No.: **29/645,025**

(22) Filed: **Apr. 23, 2018**

(30) **Foreign Application Priority Data**

Dec. 21, 2017 (EM) 004558765-0001

(51) **LOC (11) Cl.** **07-99**

(52) **U.S. Cl.**
USPC **D7/400; D9/429**

(58) **Field of Classification Search**
USPC D7/400, 399, 397, 700, 369, 667;
99/289 D, 323; D9/429, 416, 503, 428,
D9/520; 210/481
CPC A47J 31/02; A47G 19/00; B65D 85/808
See application file for complete search history.

(56) **References Cited**

U.S. PATENT DOCUMENTS

D288,065 S * 2/1987 Tyler D9/429
D606,363 S * 12/2009 Aardenburg D7/400
D628,883 S * 12/2010 Stephens D9/429
8,906,440 B2 * 12/2014 Otto A47J 31/0642
426/433
9,108,794 B2 * 8/2015 Fu A47J 31/08
D747,139 S * 1/2016 Rondelli D7/400
D753,483 S * 4/2016 Accursi D9/429
D766,078 S * 9/2016 Hansen D9/416

9,452,879 B2 * 9/2016 Fu A47J 31/08
D796,898 S * 9/2017 Robotti D7/400
D797,503 S * 9/2017 Robotti D7/400
D822,430 S * 7/2018 Hansen D7/400
2014/0178537 A1 * 6/2014 Zweed B65D 85/8043
426/115
2014/0196608 A1 * 7/2014 Amrein B65D 85/8043
99/295
2014/0238249 A1 * 8/2014 Mariller A47J 31/3623
99/295
2014/0318380 A1 * 10/2014 Doglioni Majer
B65D 85/8043
99/295
2015/0037470 A1 * 2/2015 Zweed A47J 31/0673
426/115

(Continued)

Primary Examiner — Marianne N Pandozzi

(74) *Attorney, Agent, or Firm* — Volpe and Koenig, P.C.

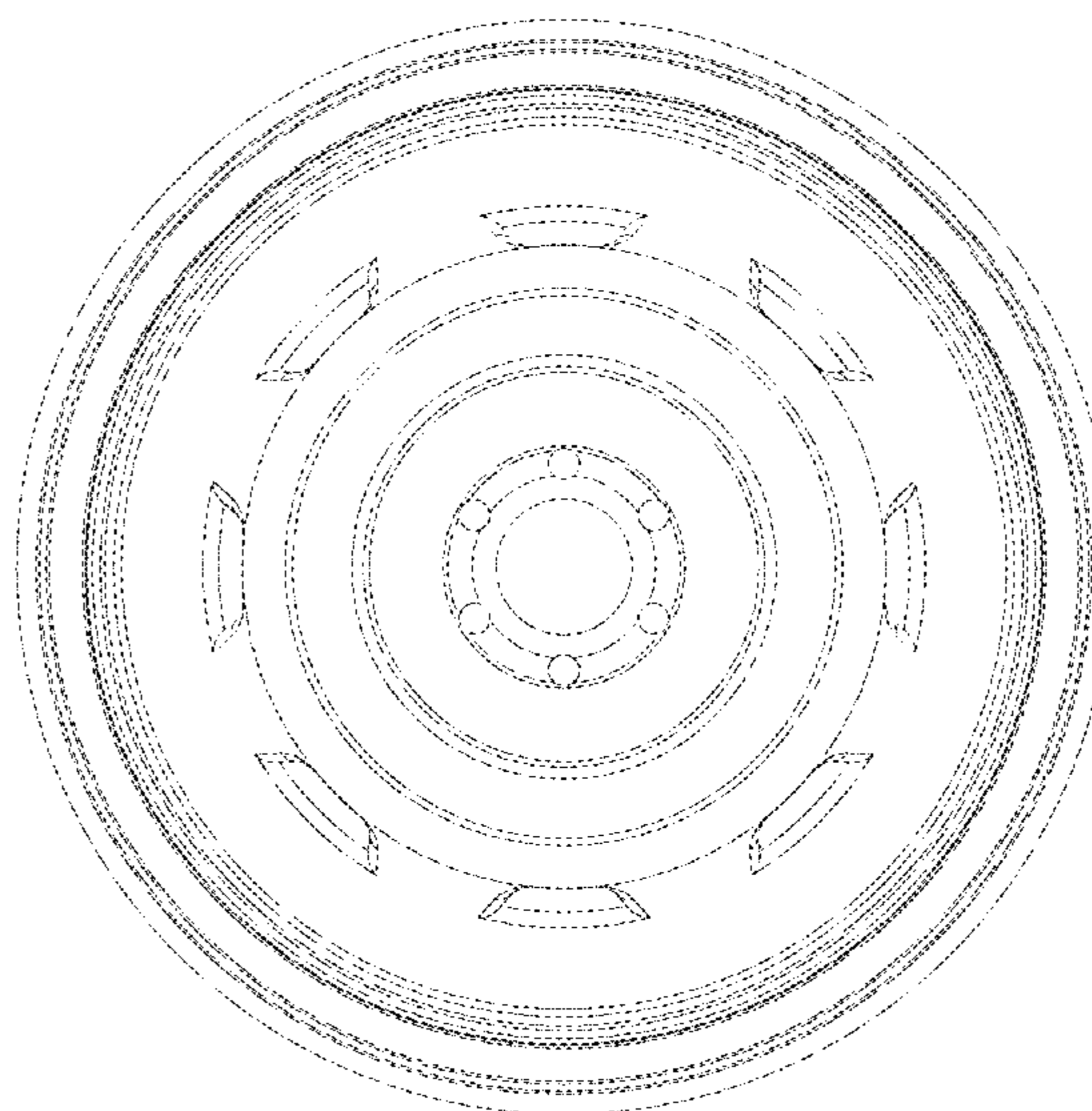
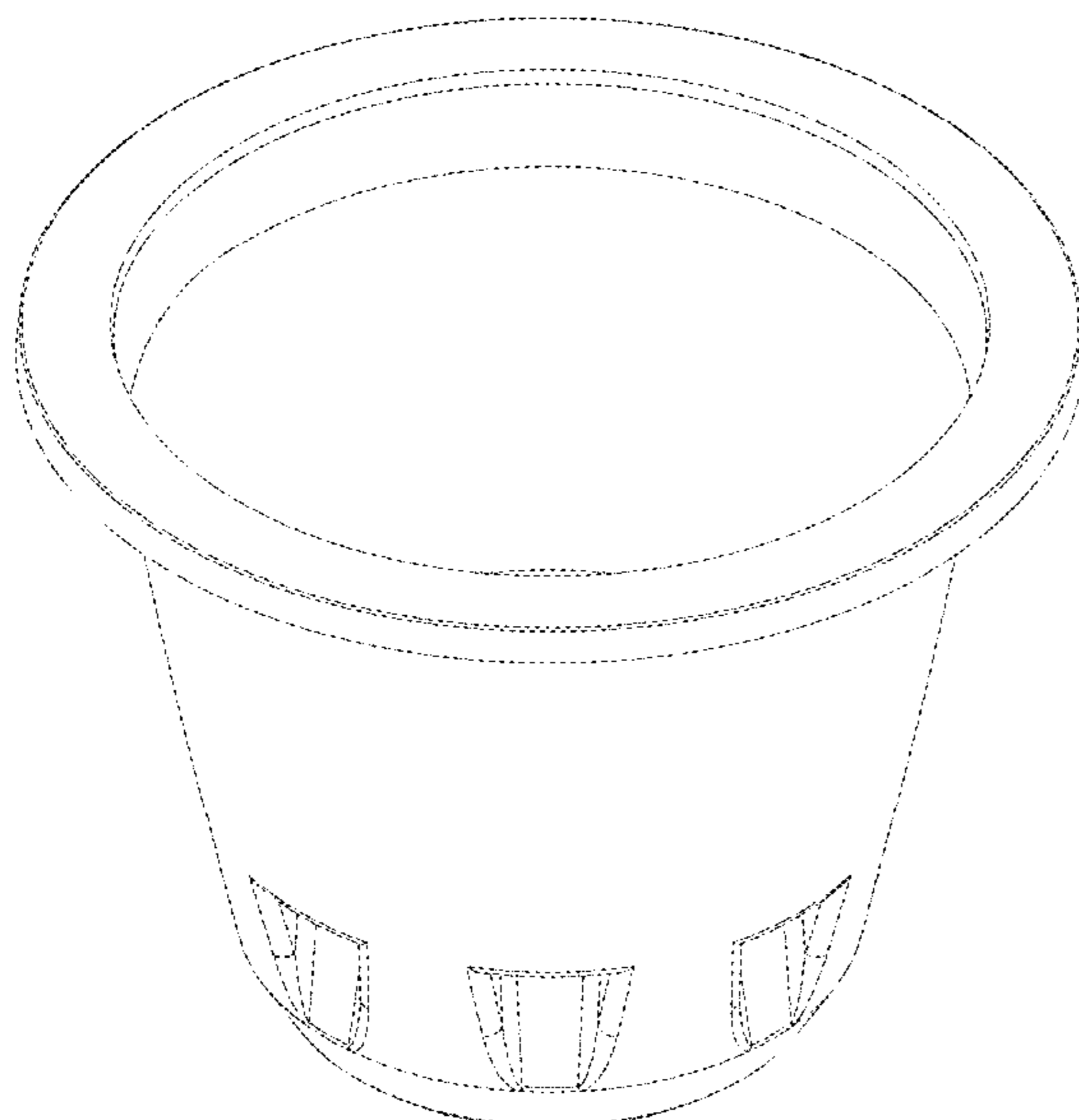
(57) **CLAIM**

The ornamental design for coffee capsule, as shown and described.

DESCRIPTION

FIG. 1 is a perspective view of the coffee capsule according to my design;
FIG. 2 is a front view of the coffee capsule of FIG. 1, the rear view being identical thereto;
FIG. 3 is a right side view of the coffee capsule of FIG. 1, the left side being identical thereto;
FIG. 4 is a bottom view of the coffee capsule of FIG. 1;
FIG. 5 is a top view of the coffee capsule of FIG. 1;
FIG. 6 is a right side section view taken along line VI-VI shown in FIG. 8, the left side section view being identical thereto;
FIG. 7 is a front section view taken along line VII-VII shown in FIG. 8, the rear section view being identical thereto; and,
FIG. 8 is a top view showing the section lines related to FIGS. 6 and 7.

1 Claim, 8 Drawing Sheets



(56)

References Cited

U.S. PATENT DOCUMENTS

2015/0108011 A1* 4/2015 Bartoli A47J 31/407
206/0.5
2015/0183575 A1* 7/2015 Doglioni Majer
B65D 85/8043
99/295
2016/0311608 A1* 10/2016 Accursi A47J 31/3628

* cited by examiner

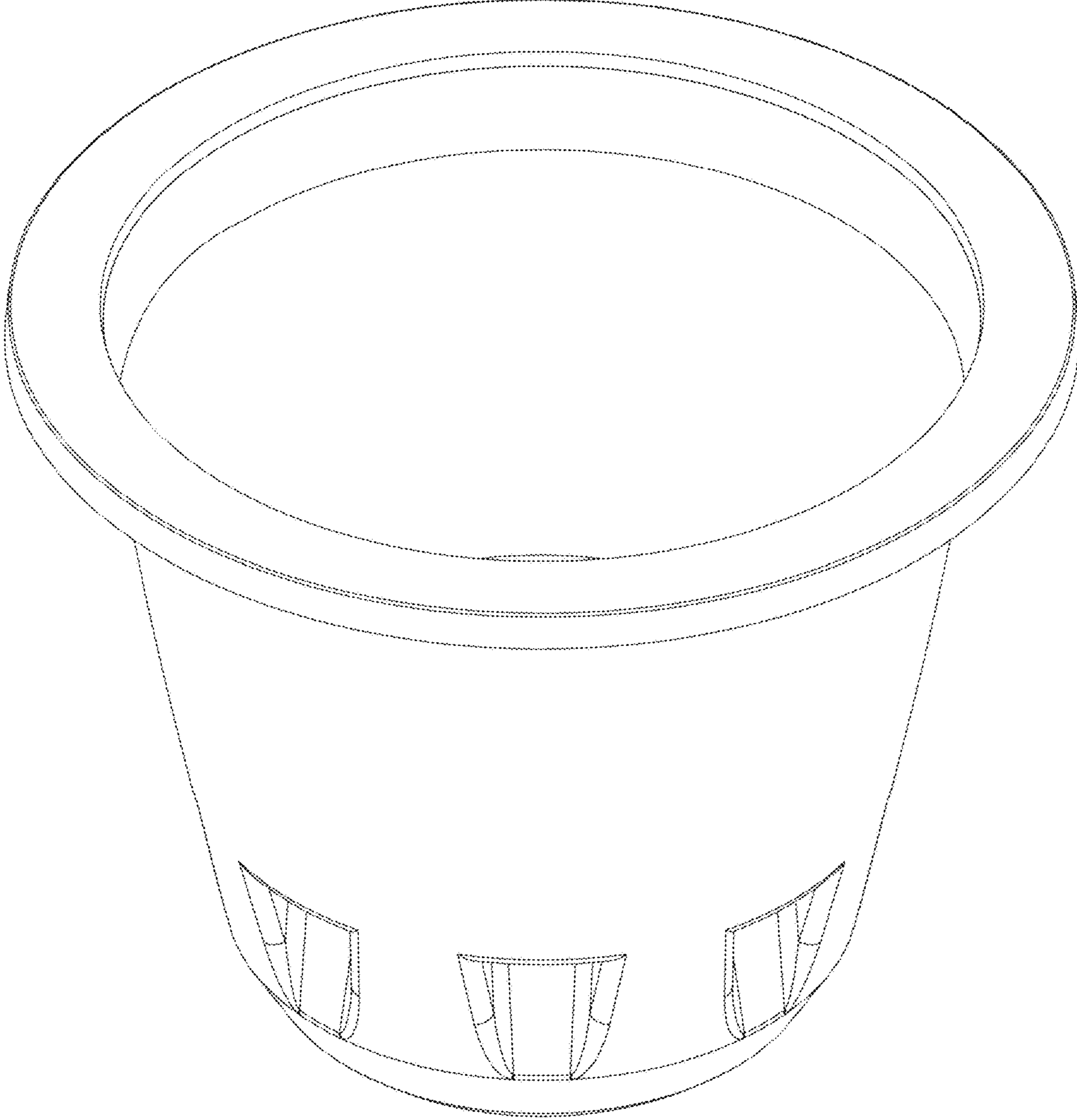


FIG. 1

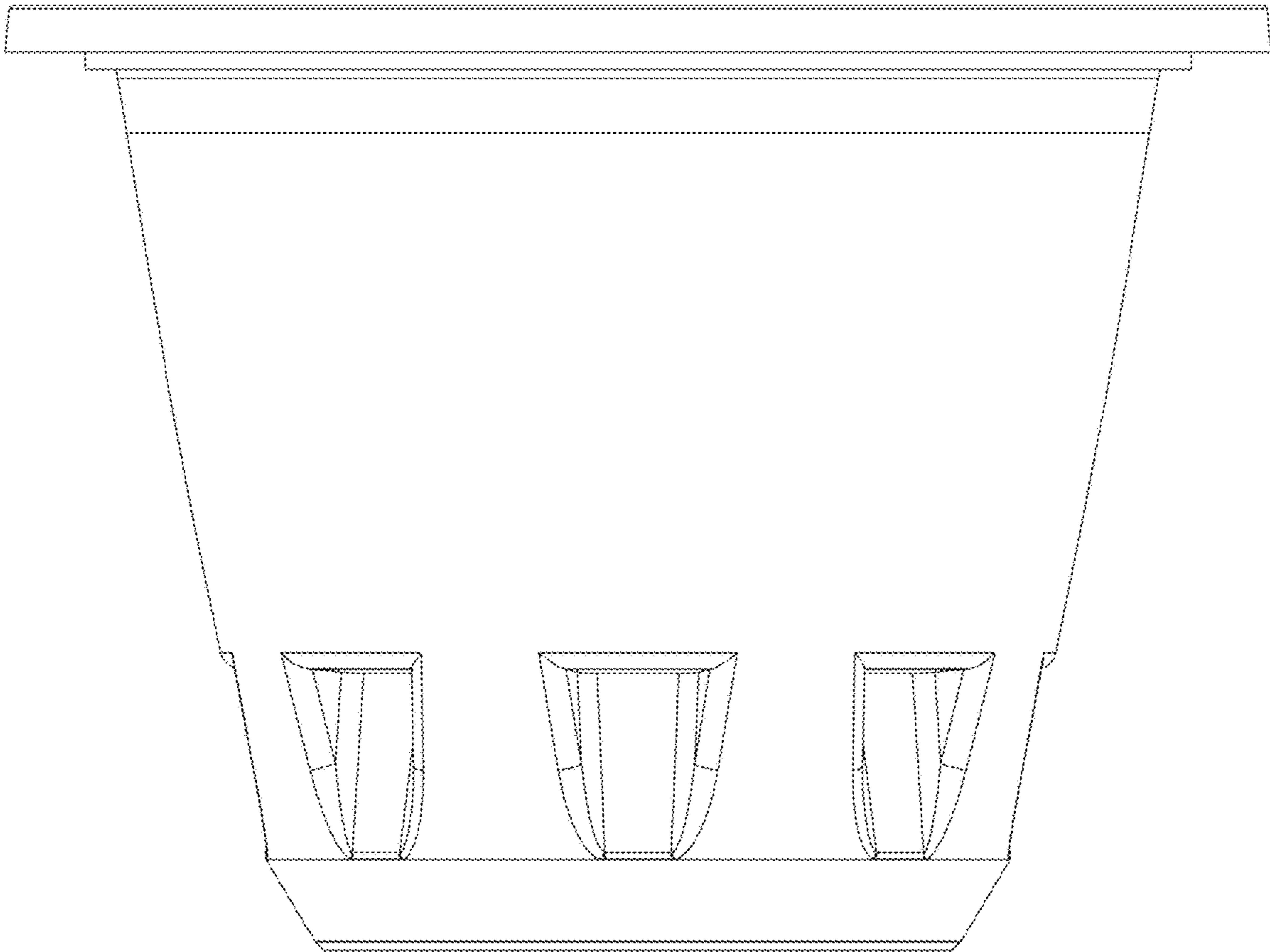


FIG. 2

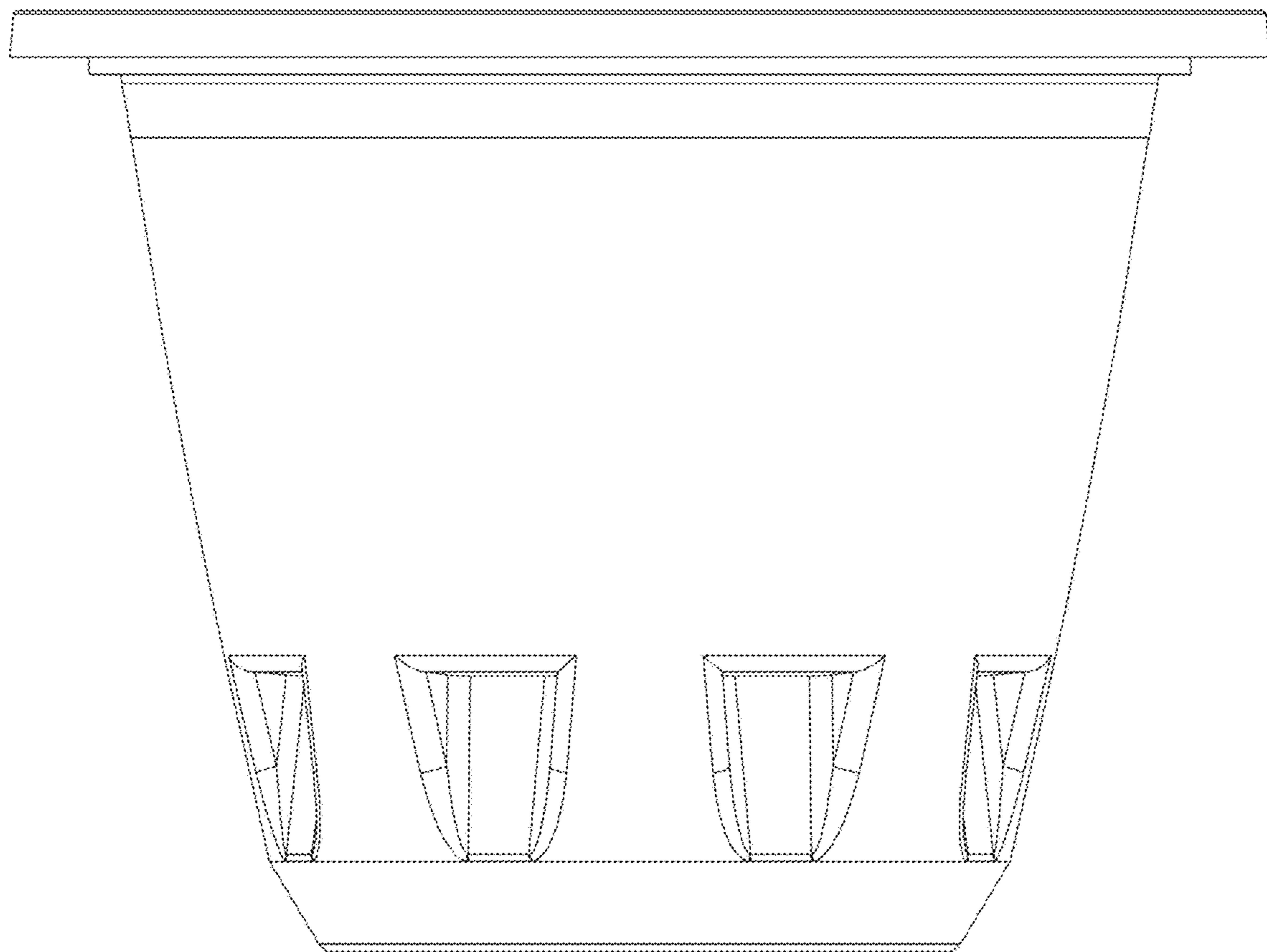


FIG. 3

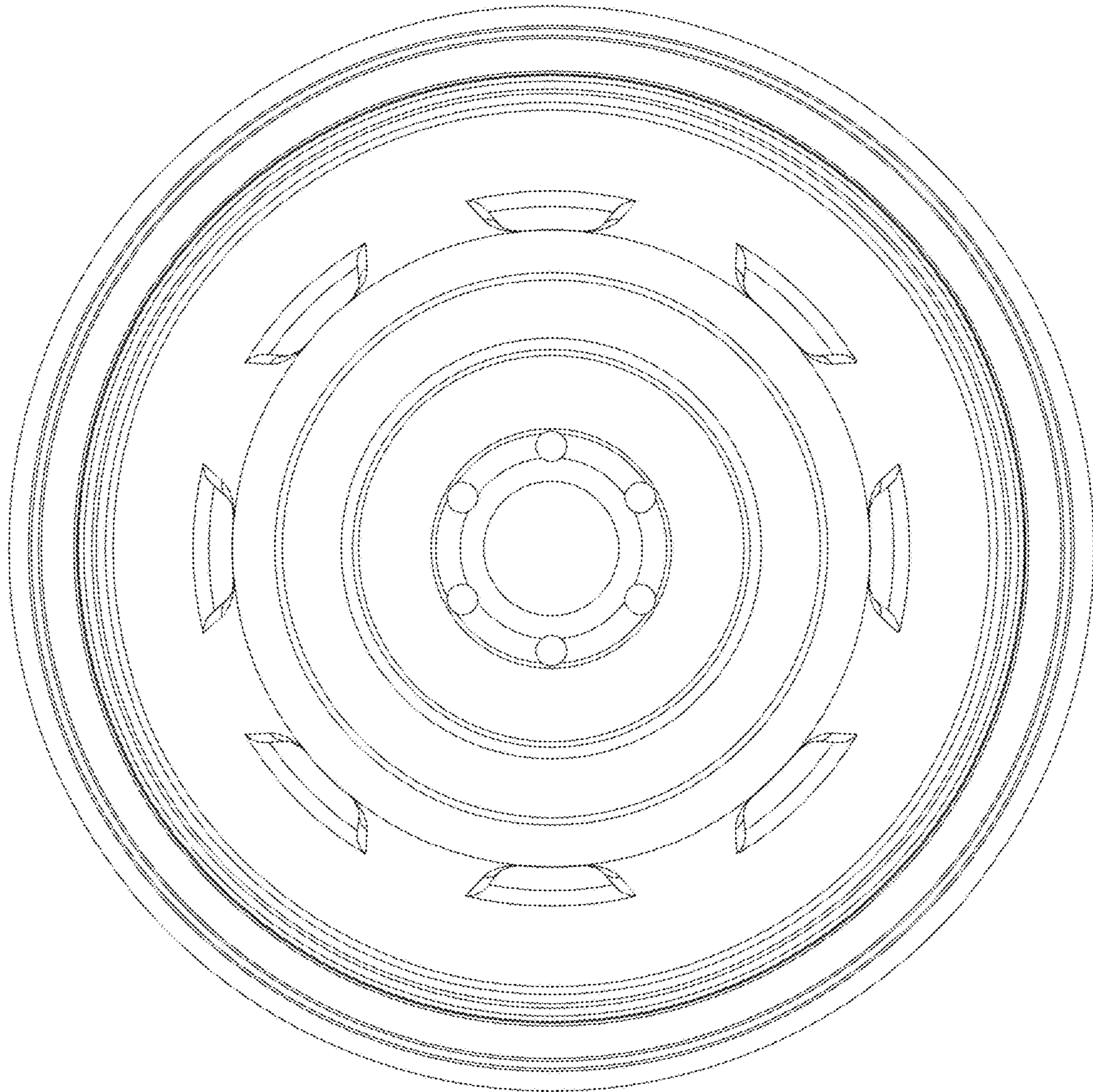


FIG. 4

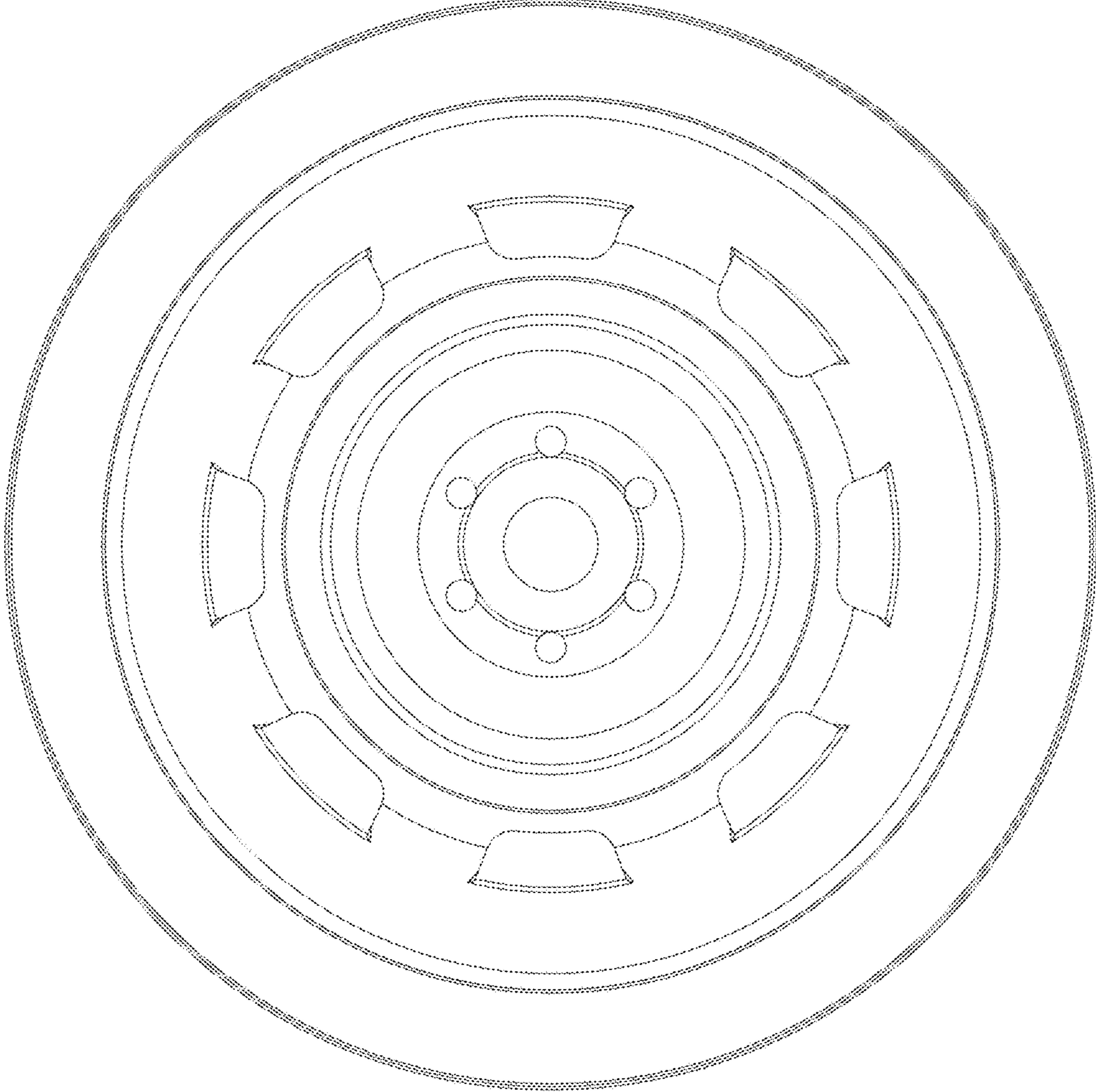


FIG. 5

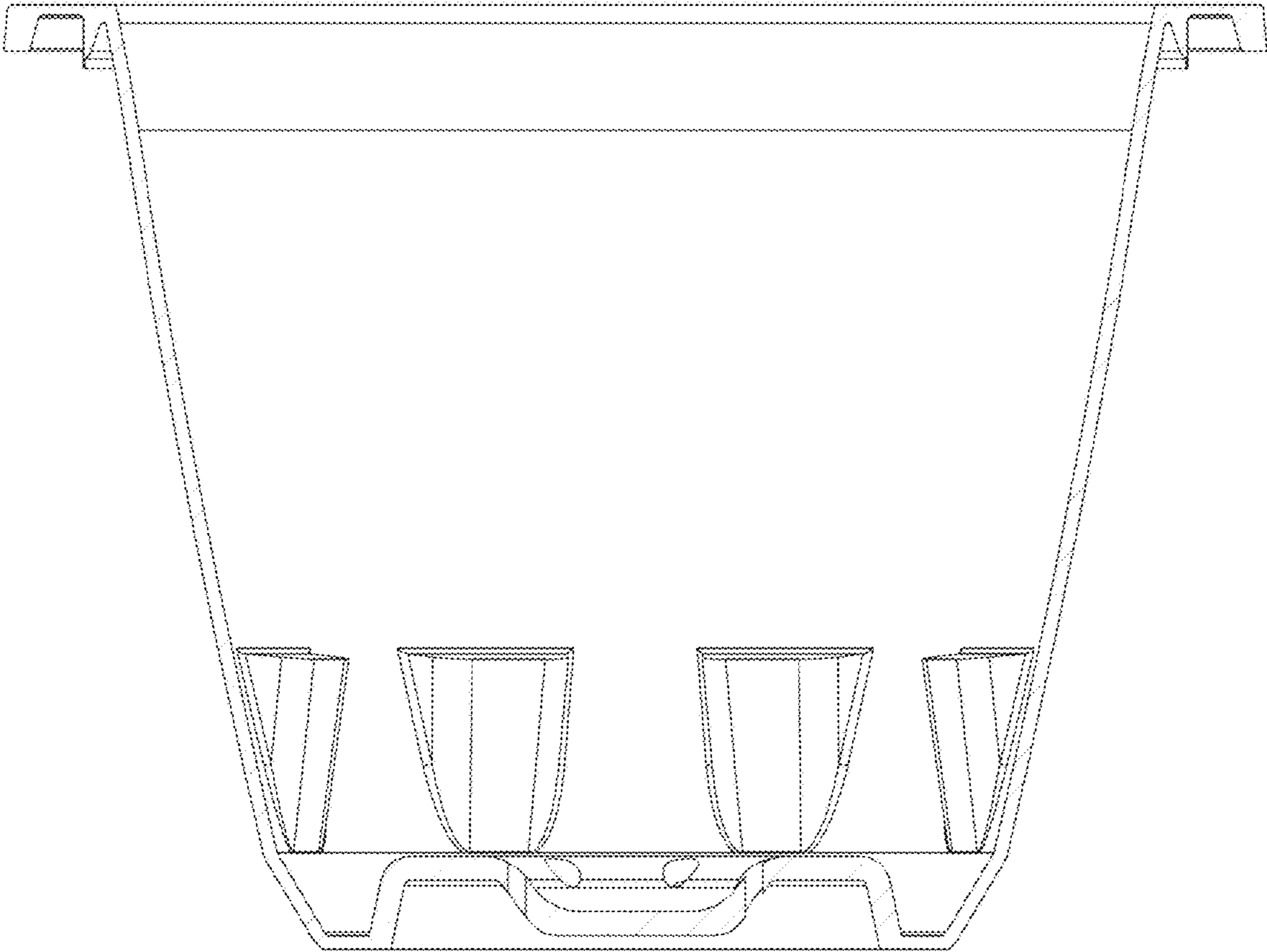


FIG. 6

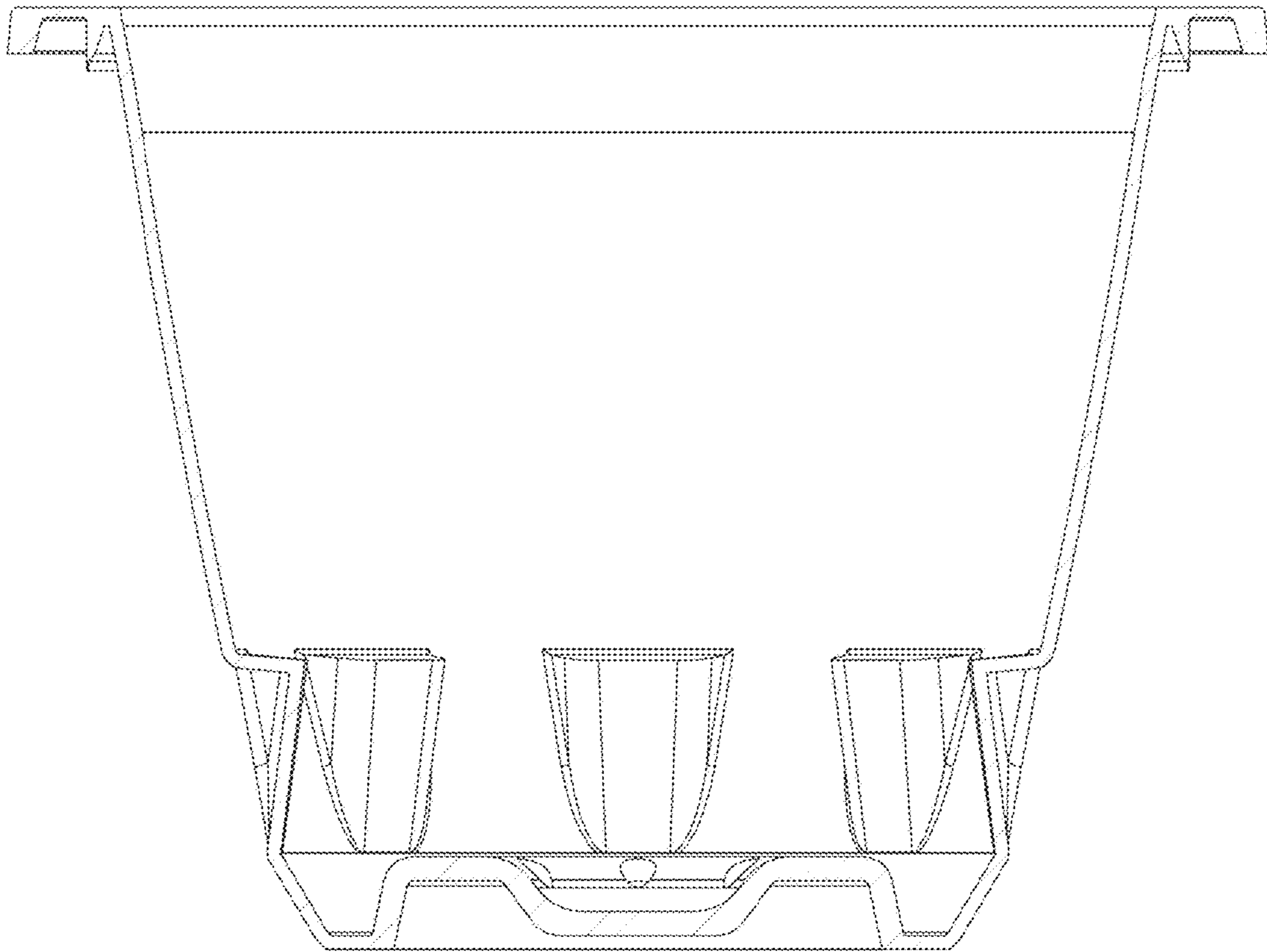


FIG. 7

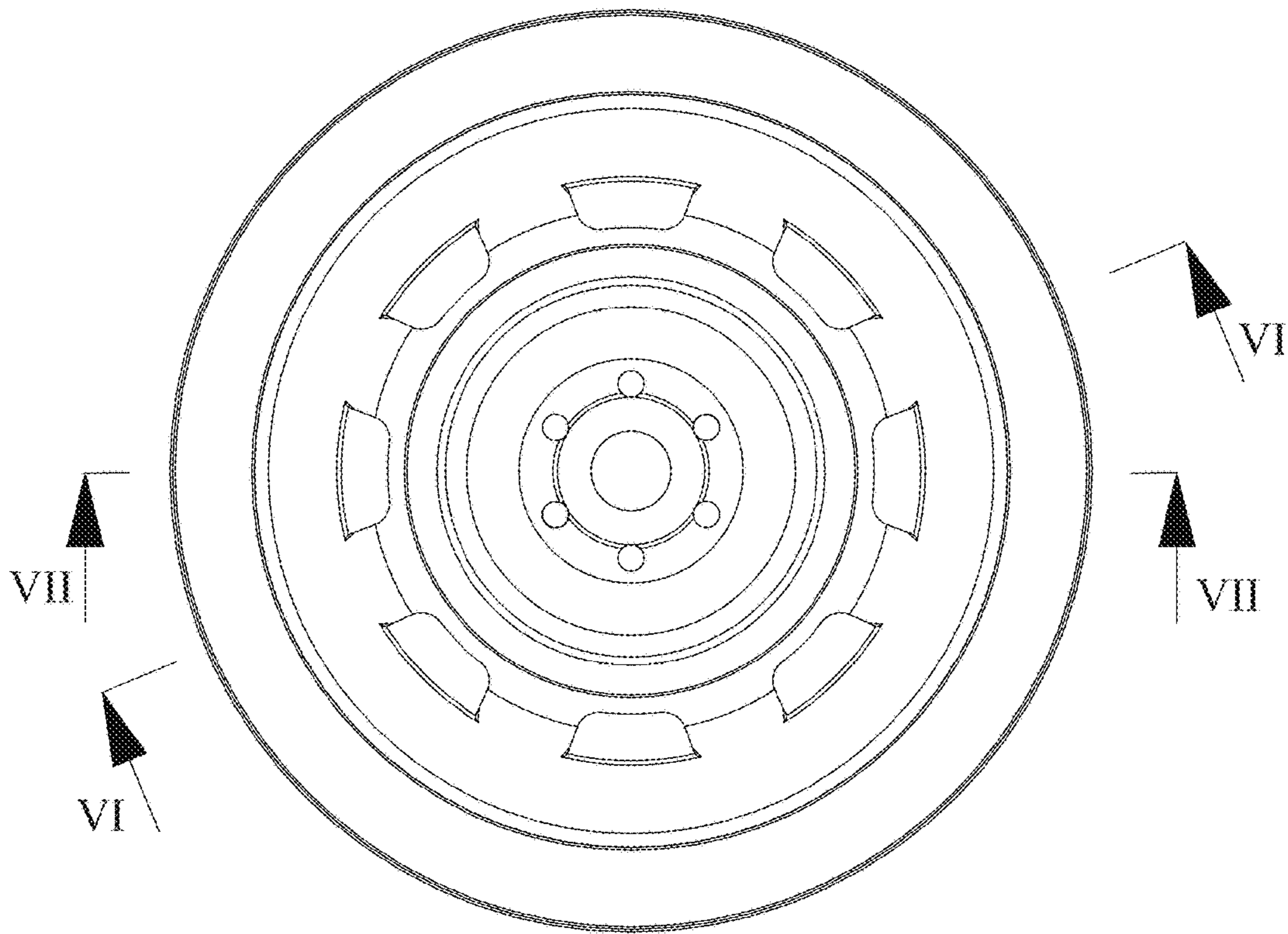


FIG. 8