



US00D845704S

(12) **United States Design Patent** (10) **Patent No.:** **US D845,704 S**
Xu (45) **Date of Patent:** **** Apr. 16, 2019**

(54) **TEA STRAINER**
(71) Applicant: **Shaoyuan Xu**, Shenzhen (CN)
(72) Inventor: **Shaoyuan Xu**, Shenzhen (CN)
(73) Assignee: **SHENZHEN JING DU TECHNOLOGY CO., LTD.**, Shenzhen (CN)
(**) Term: **15 Years**
(21) Appl. No.: **29/636,745**
(22) Filed: **Feb. 11, 2018**
(51) **LOC (11) Cl.** **07-02**
(52) **U.S. Cl.**
USPC **D7/400; D7/667**
(58) **Field of Classification Search**
USPC D7/368, 667, 668, 669, 400
CPC A47G 19/02; A47G 19/14; A47G 19/16;
A47G 19/04; A45C 3/045; A47J 31/0636;
A47J 31/08; A47J 43/24; A47J 43/22;
A47J 43/28; A47J 43/286; A47J 43/285;
A47J 43/00; B65D 85/808
See application file for complete search history.

(56) **References Cited**
U.S. PATENT DOCUMENTS
D764,864 S * 8/2016 Hertaus D7/400
D791,535 S * 7/2017 Yeh D7/400
2010/0047419 A1 * 2/2010 Boul A47J 31/08
426/433

* cited by examiner

Primary Examiner — Terry A Wallace
(74) *Attorney, Agent, or Firm* — Law Offices of Steven W. Weinrieb

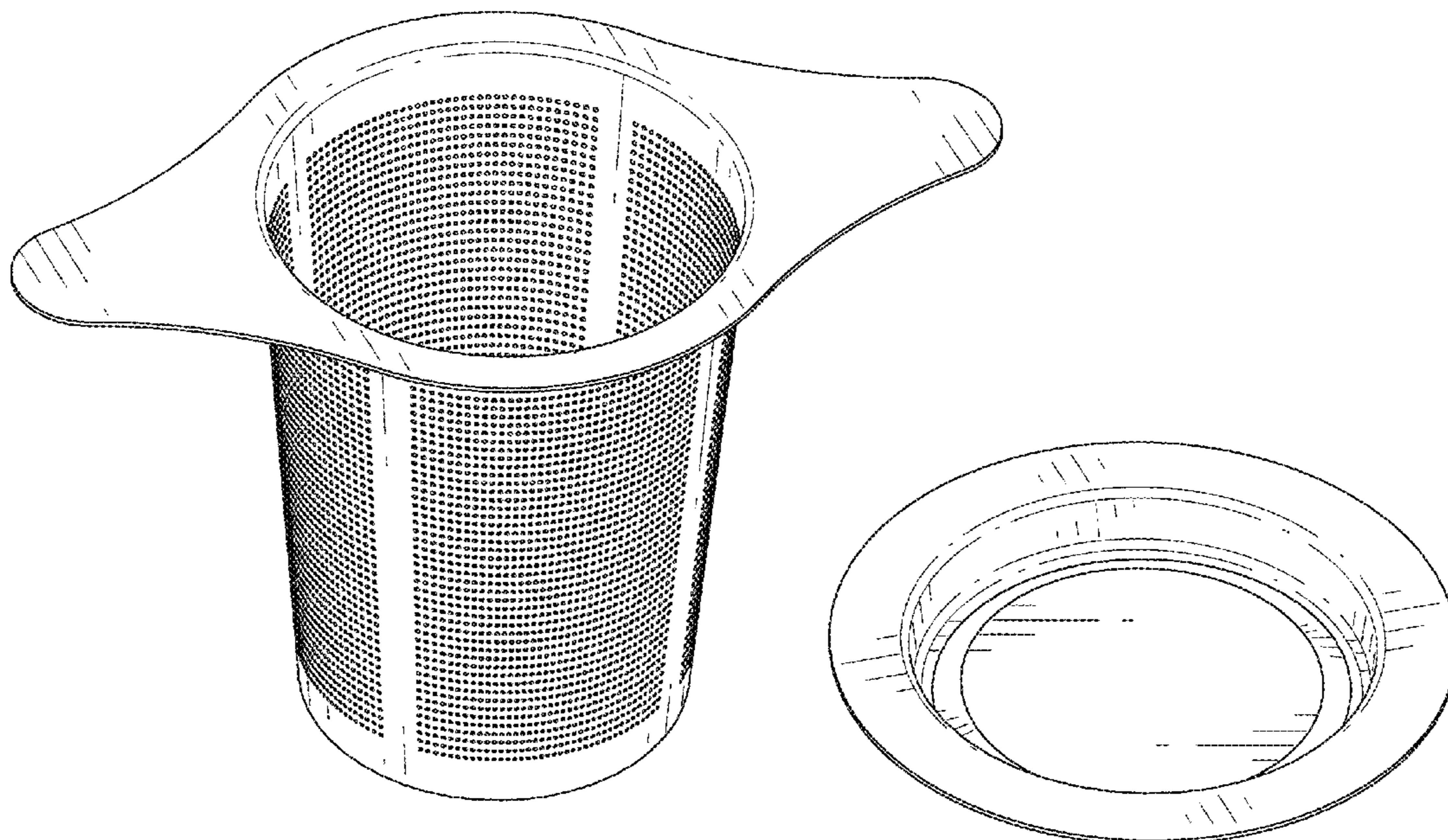
(57) **CLAIM**

The ornamental design for a tea strainer, as shown and described.

DESCRIPTION

FIG. 1 is a front, left side, top perspective view of the tea strainer showing my new design;
FIG. 2 is a rear, right side, bottom perspective view thereof;
FIG. 3 is a front elevational view thereof;
FIG. 4 is a rear elevational view thereof;
FIG. 5 is a left side elevational view thereof;
FIG. 6 is a right side elevational view thereof;
FIG. 7 is a top plan view thereof;
FIG. 8 is a bottom plan view thereof;
FIG. 9 is an enlarged front elevational view thereof of the region noted by annotation FIG. 9 in FIG. 3; and,
FIG. 10 is an exploded view thereof.

1 Claim, 10 Drawing Sheets



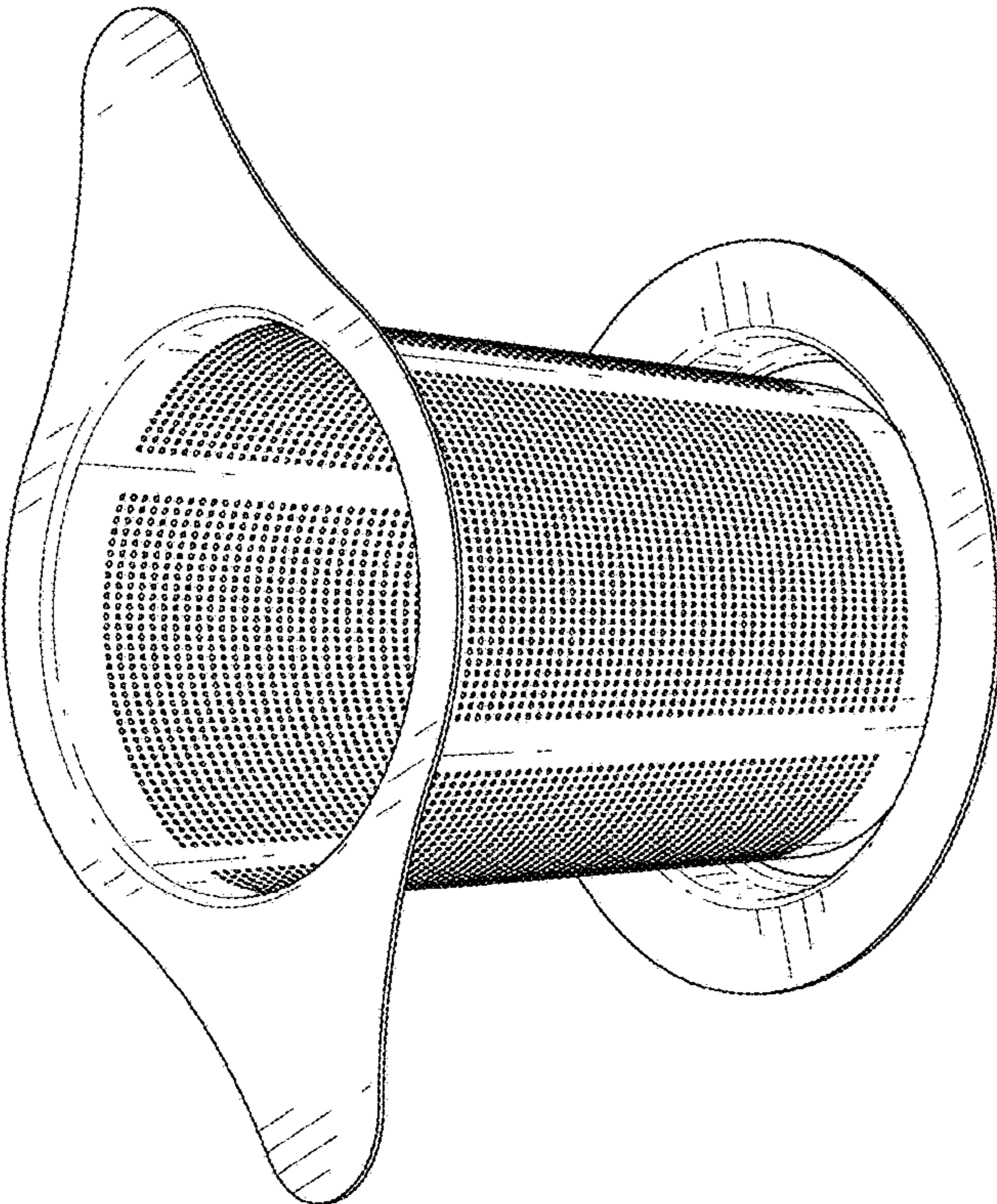


FIG. 1

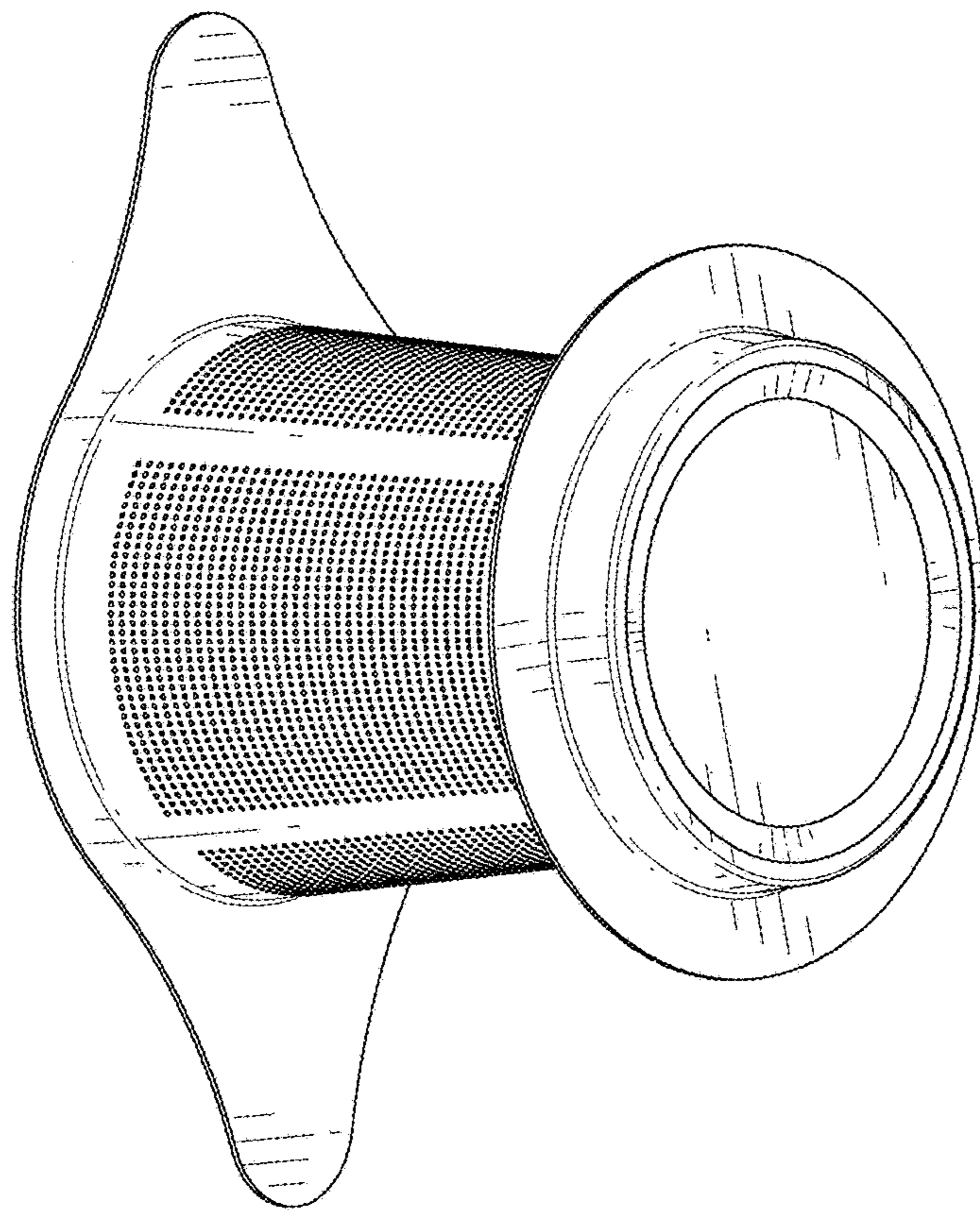


FIG. 2

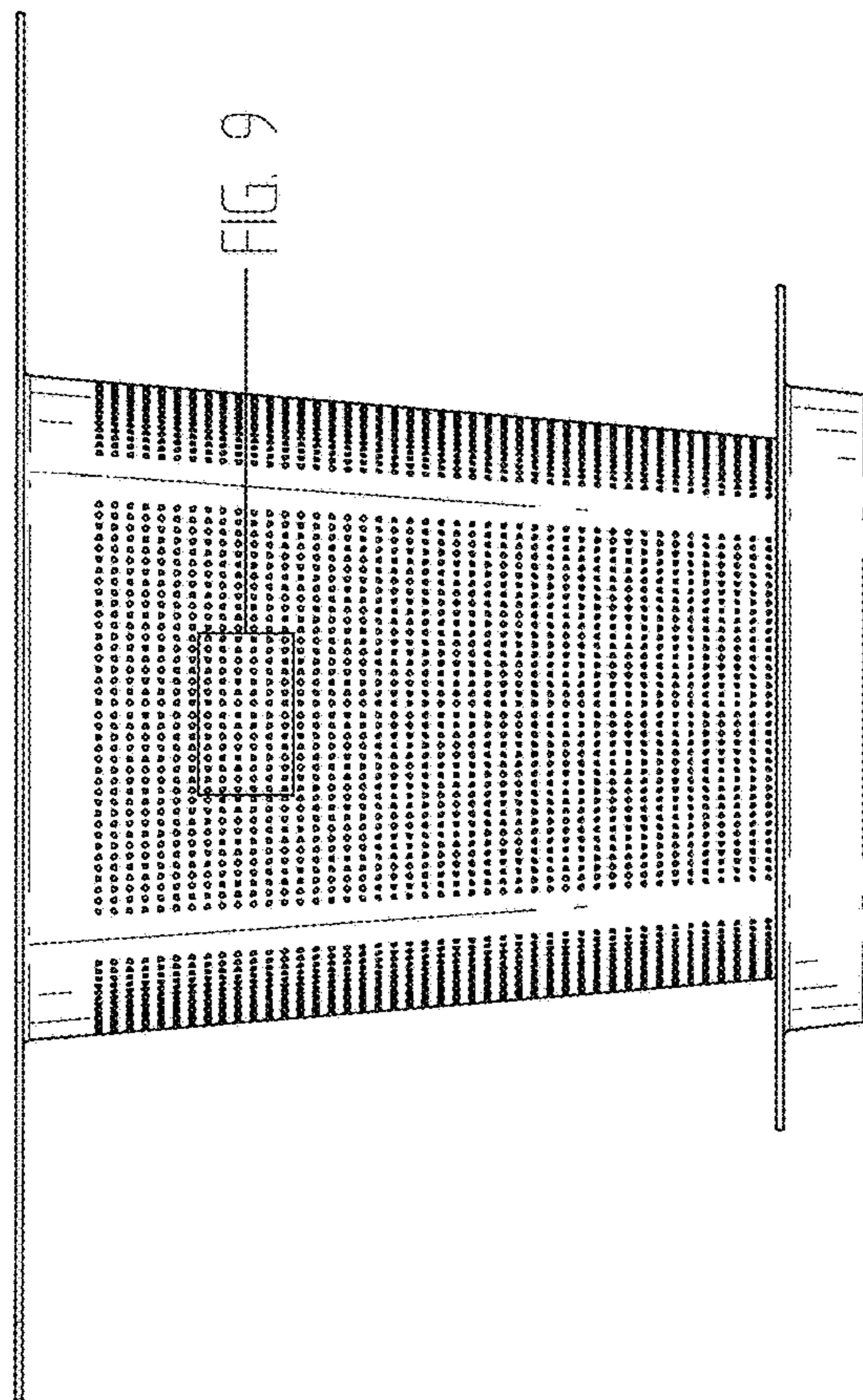


FIG. 9

FIG. 3

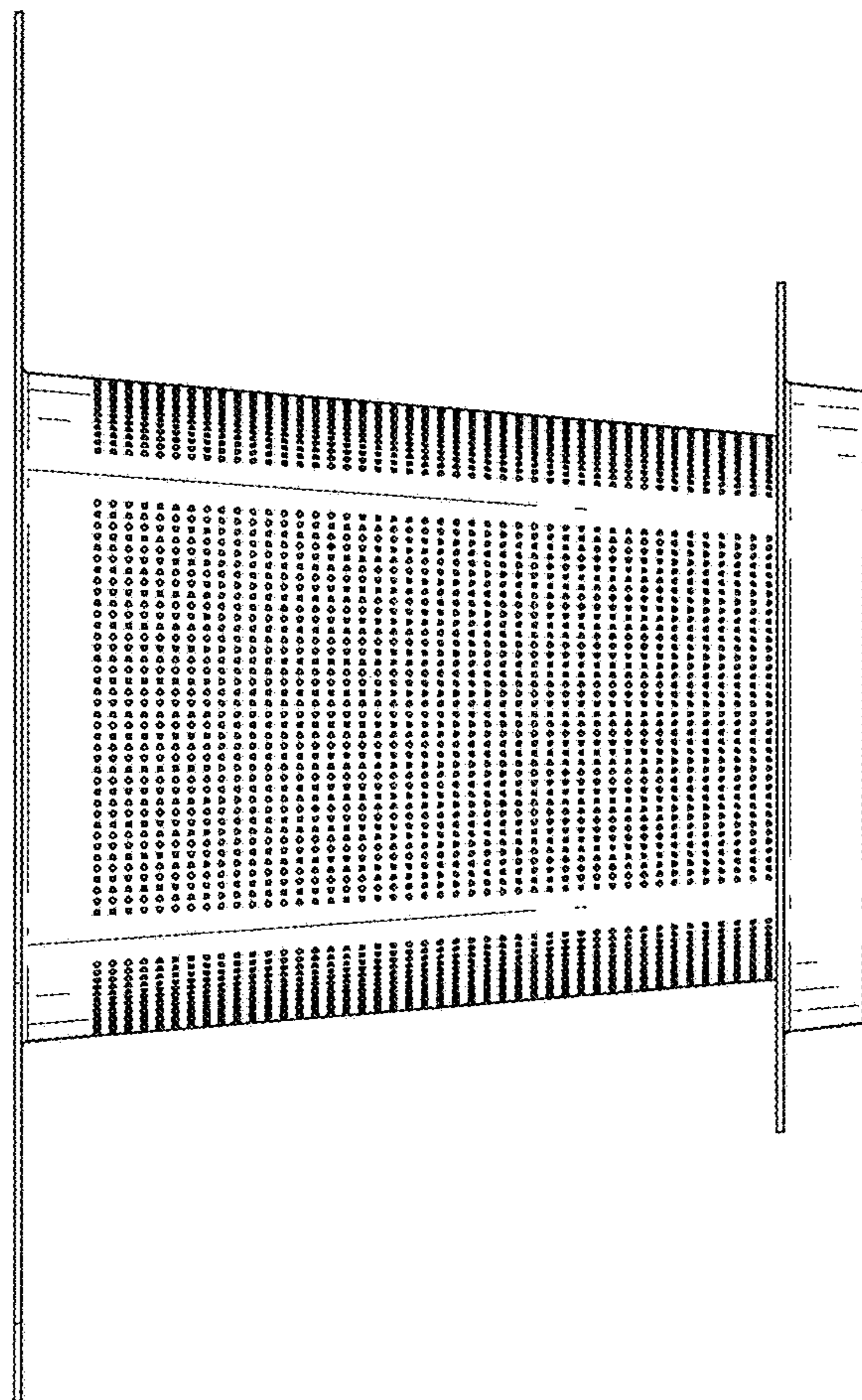


FIG. 4

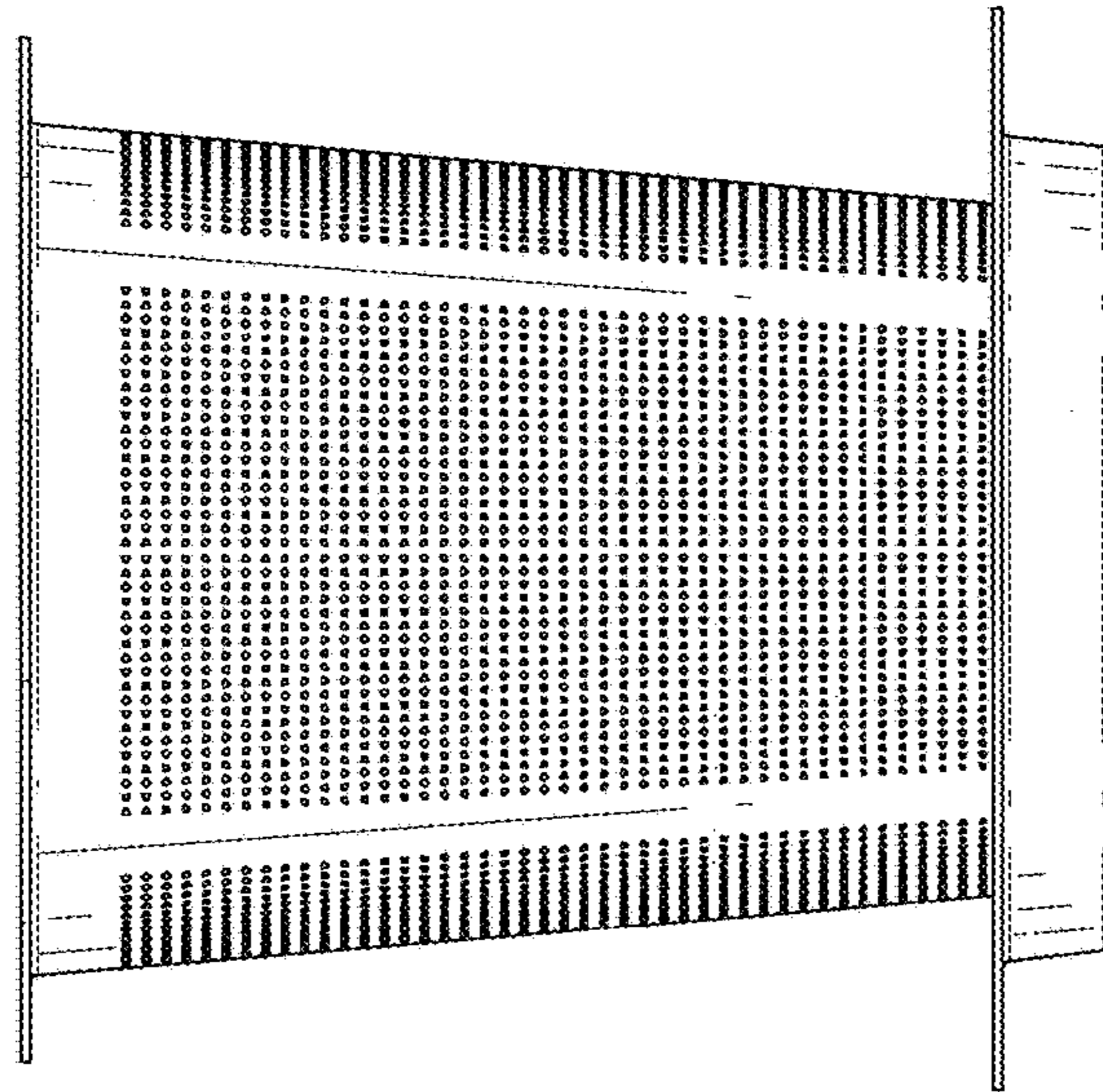


FIG. 5

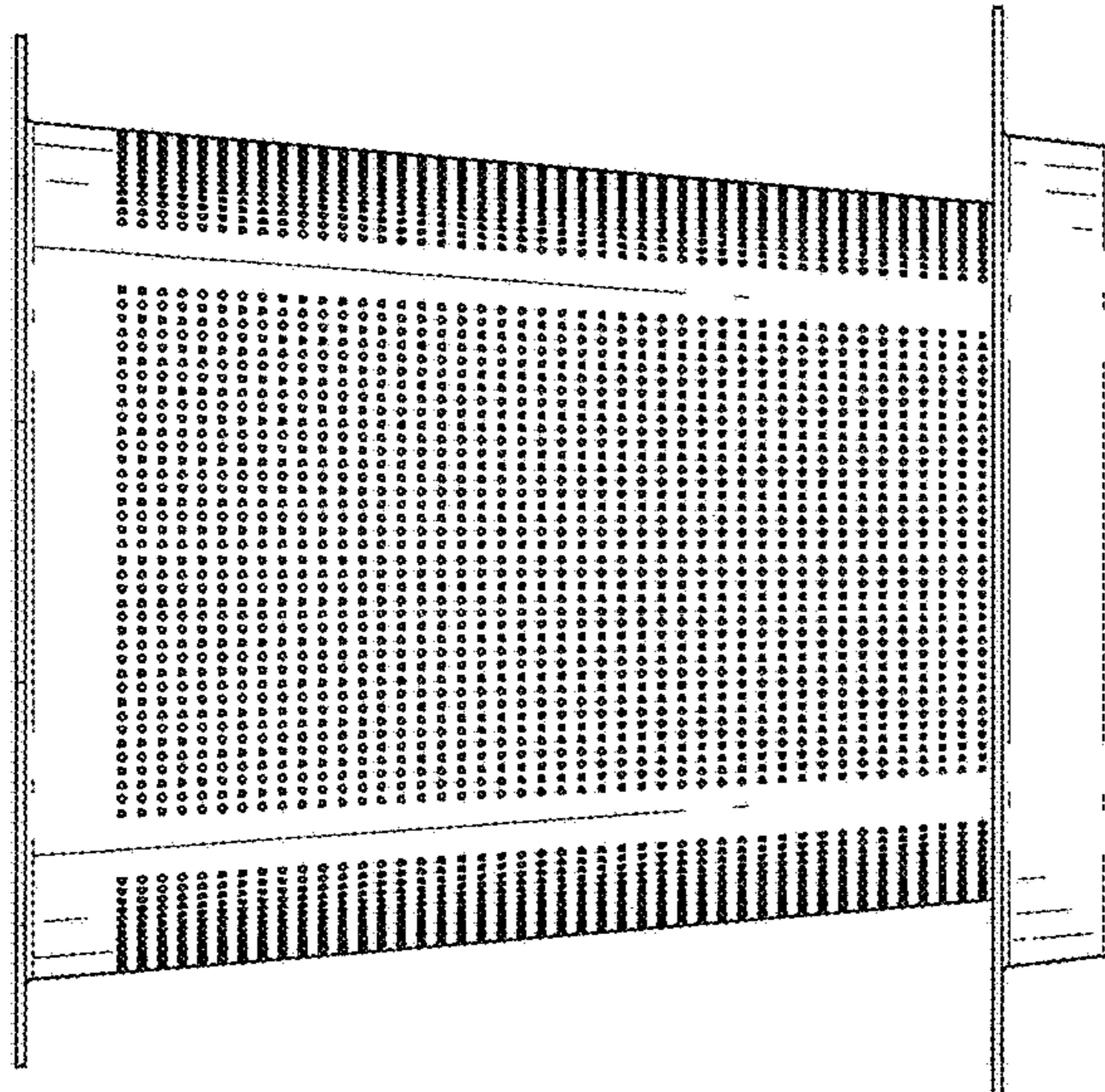


FIG. 6

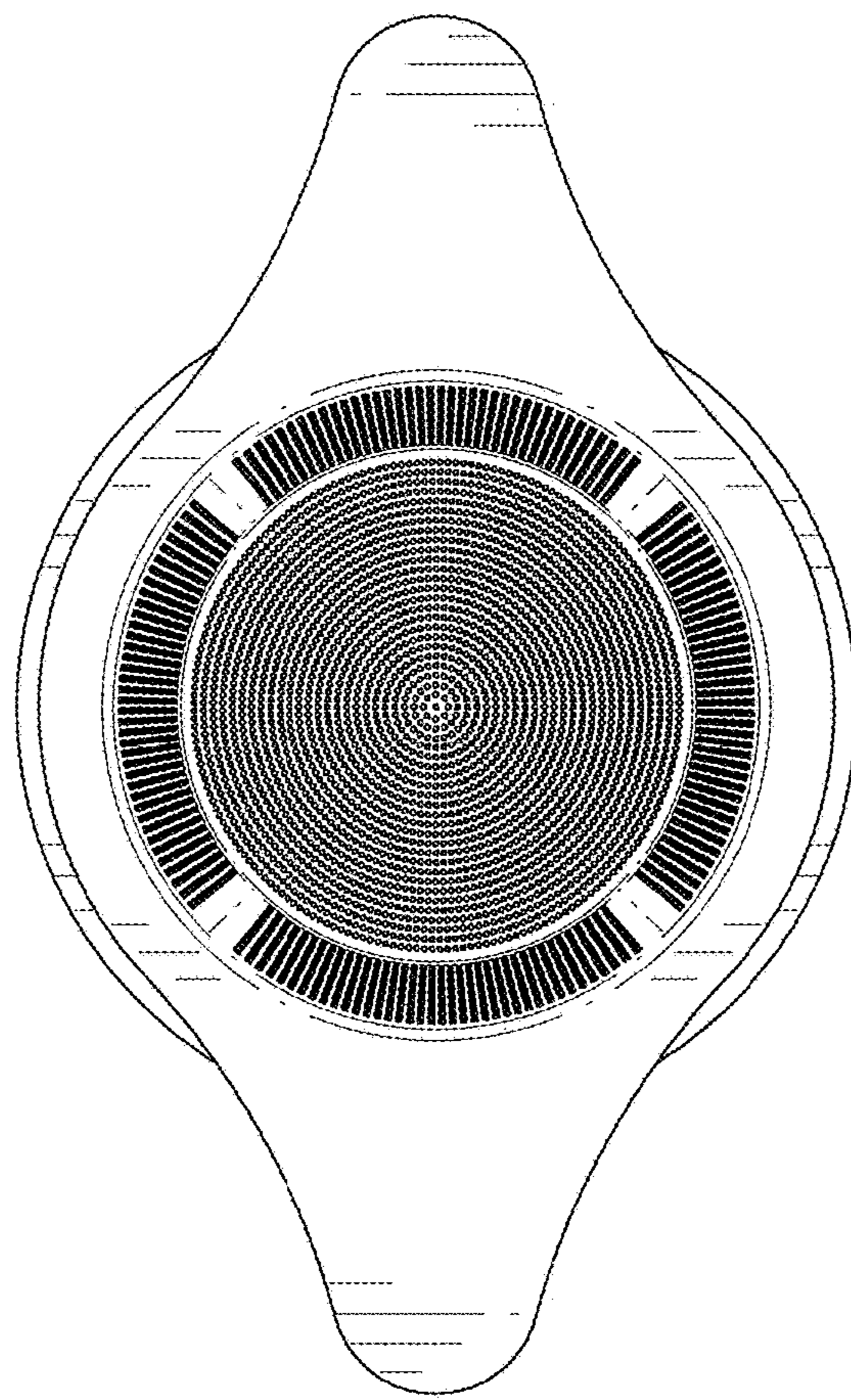


FIG. 7

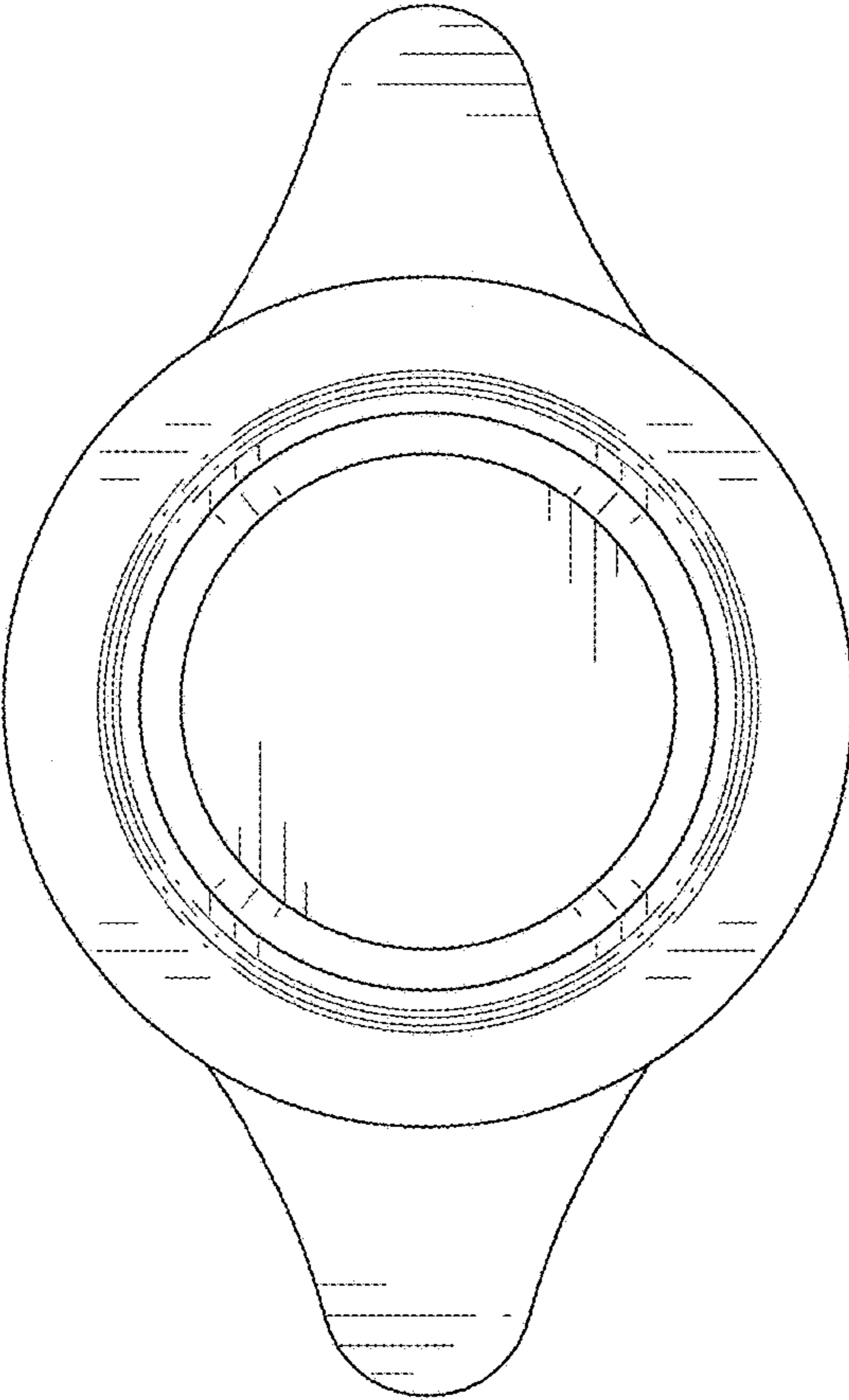


FIG. 8

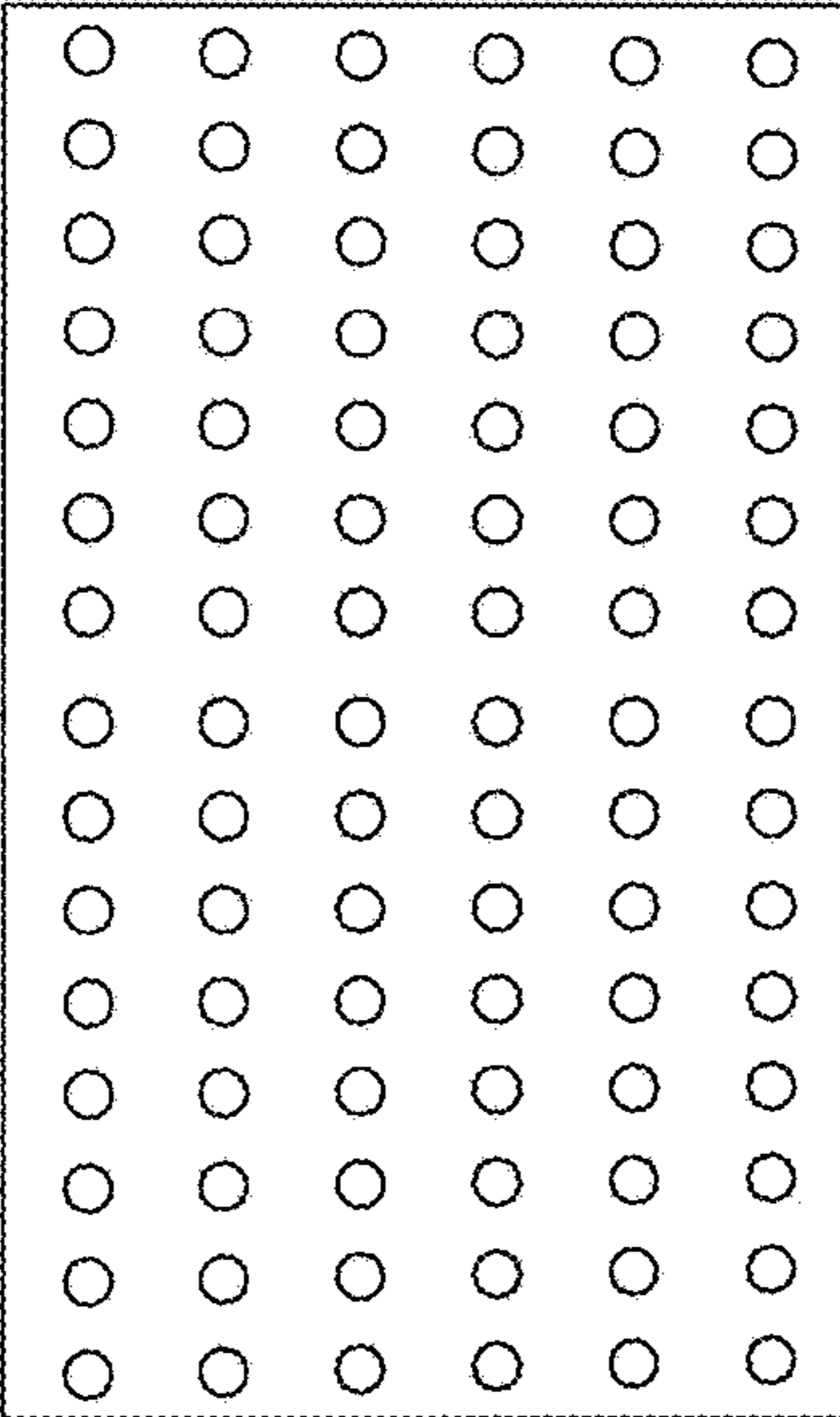


FIG. 9

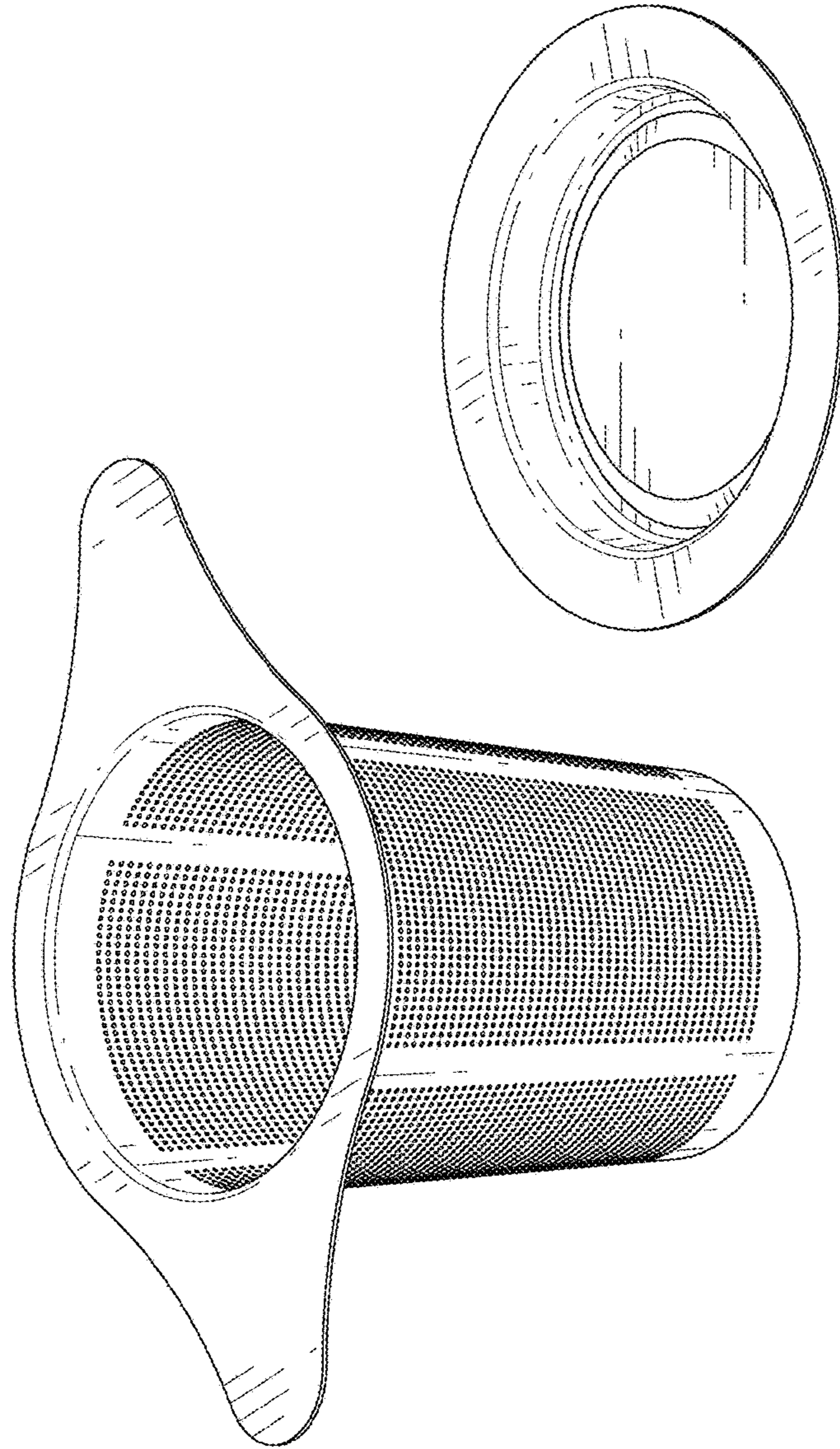


FIG. 10