



US00D845702S

(12) **United States Design Patent** (10) **Patent No.:** **US D845,702 S**
Wilson, Sr. (45) **Date of Patent:** **** Apr. 16, 2019**

(54) **DRINKING STRAW REGULATOR**

(71) Applicant: **Tyrone Wilson, Sr.**, Washington, NC (US)

(72) Inventor: **Tyrone Wilson, Sr.**, Washington, NC (US)

(**) Term: **15 Years**

(21) Appl. No.: **29/627,703**

(22) Filed: **Nov. 29, 2017**

(51) **LOC (11) Cl.** **07-99**

(52) **U.S. Cl.**
USPC **D7/396.2**

(58) **Field of Classification Search**
 USPC D7/387, 396.2, 397, 398, 213; D24/108,
 D24/112, 113; D23/259, 262, 266;
 D13/133, 154, 155
 CPC .. A47G 19/2222; A47G 21/18; A47G 21/188;
 F16L 21/00; F16L 27/113; B65D 77/283;
 B65D 7777/283
 See application file for complete search history.

(56) **References Cited**

U.S. PATENT DOCUMENTS

D320,841 S *	10/1991	Breadmont	D23/262
D527,566 S *	9/2006	Mather	D7/300.2
D543,767 S *	6/2007	Mather	D7/300.2
D631,542 S *	1/2011	DeGross	D24/129
D709,994 S *	7/2014	King	F16L 21/035
				D23/259
D723,667 S *	3/2015	Locke	D23/266
D723,668 S *	3/2015	Locke	D23/266
D746,957 S *	1/2016	Castrigno	D23/262
9,386,870 B2 *	7/2016	Rossitto	A47G 21/18

D772,632 S *	11/2016	Buck	D7/300.2
D798,423 S *	9/2017	Aubin	D23/266
D816,191 S *	4/2018	Cove	D23/259
D823,444 S *	7/2018	Hayashi	D23/262
2008/0001401 A1 *	1/2008	Quesada	F16L 21/03
				285/260
2012/0139236 A1 *	6/2012	Novitsky	B21D 41/00
				285/399

* cited by examiner

Primary Examiner — Derrick E Holland
Assistant Examiner — Andrew Kerr
 (74) *Attorney, Agent, or Firm* — Dunlap Bennett & Ludwig PLLC

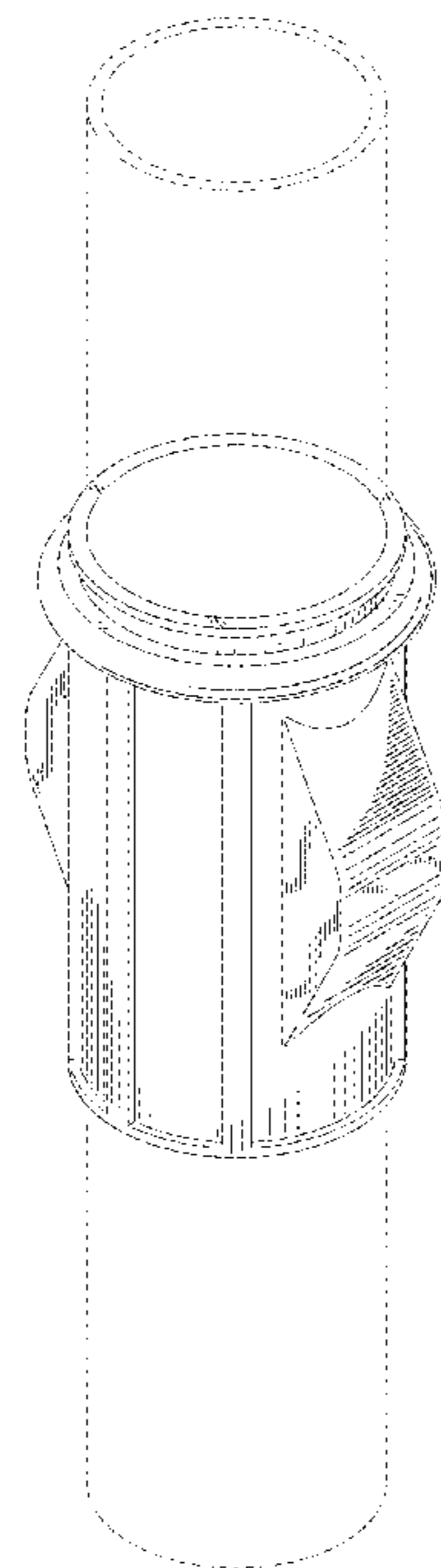
(57) **CLAIM**

The ornamental design for a drinking straw regulator, as shown and described.

DESCRIPTION

FIG. 1 is a perspective view of a drinking straw regulator, showing my new design in use;
 FIG. 2 is a front elevation view thereof, the rear elevation view being a mirror image thereof;
 FIG. 3 is a right-side elevation view thereof, the left-side elevation view being a mirror image thereof;
 FIG. 4 is a first top plan view thereof;
 FIG. 5 is a bottom plan view thereof;
 FIG. 6 is a second top plan view thereof; and,
 FIG. 7 is a third top plan view thereof.
 The broken lines showing a drinking straw in FIG. 1 depicts environmental subject matter that forms no part of the claimed design, while the remaining broken lines shown in the drawings depict parts of the drinking straw regulator that form no part of the claimed design.

1 Claim, 2 Drawing Sheets



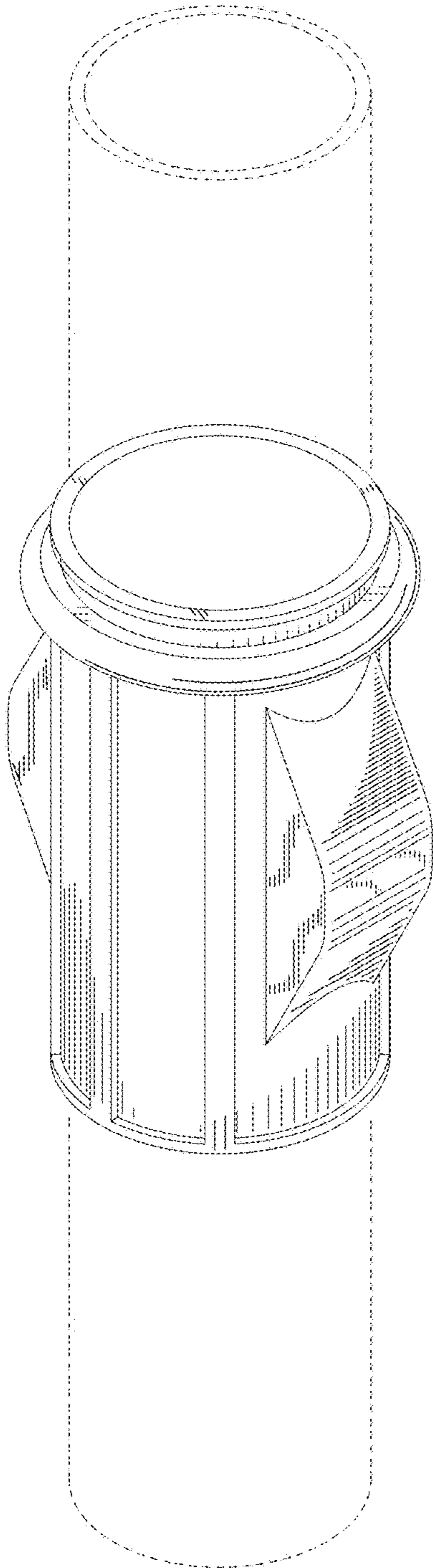


FIG. 1

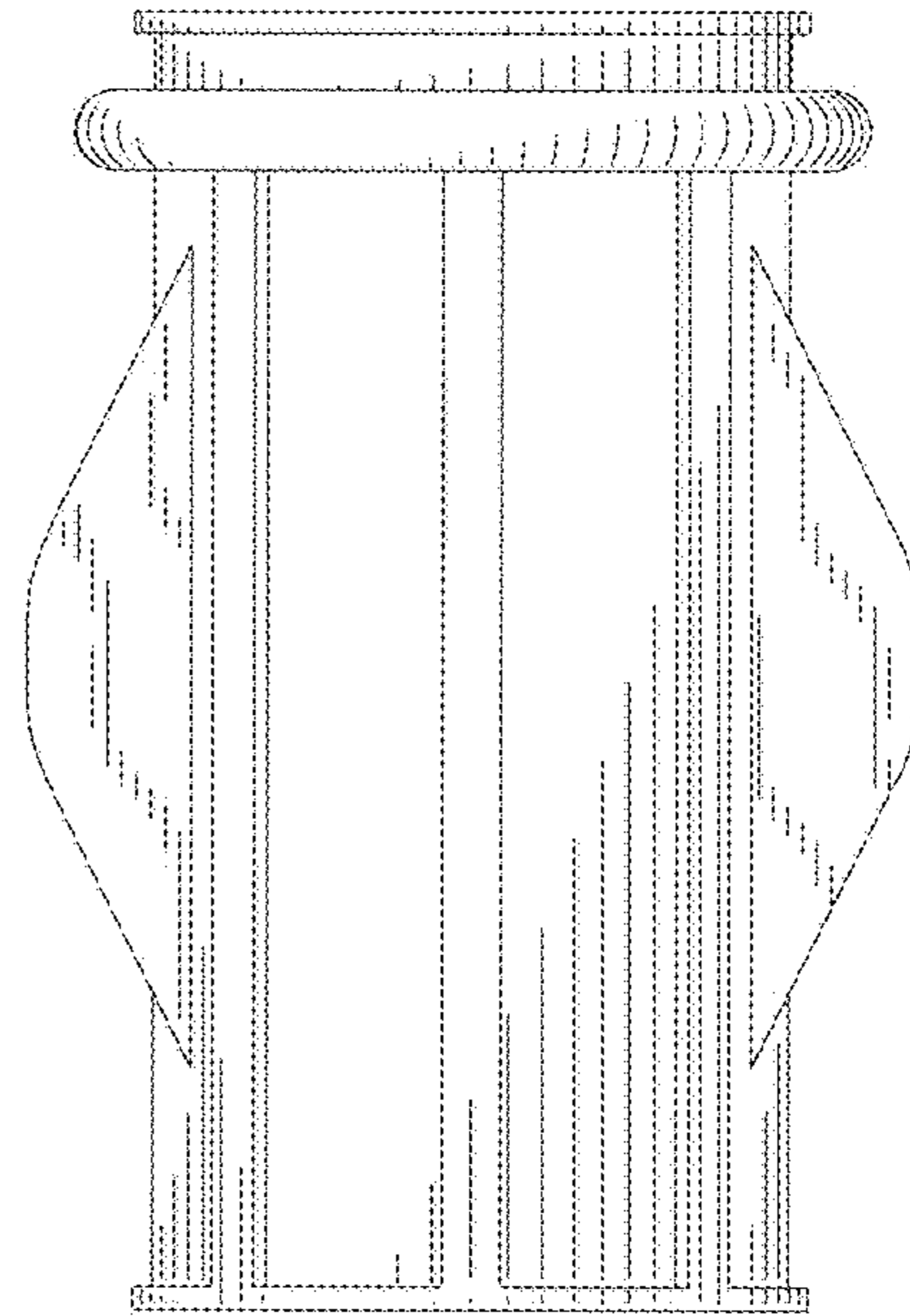


FIG. 2

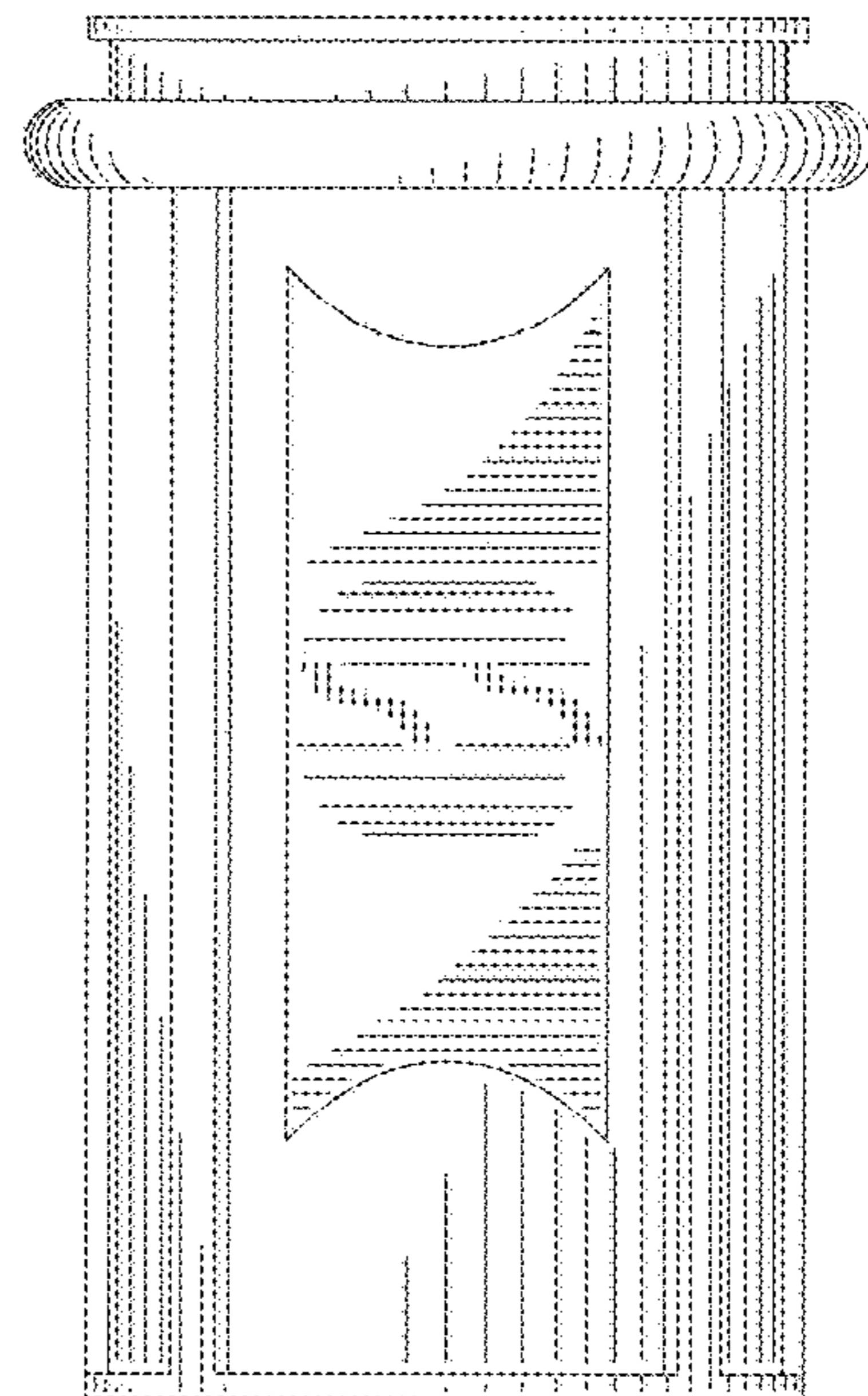


FIG. 3

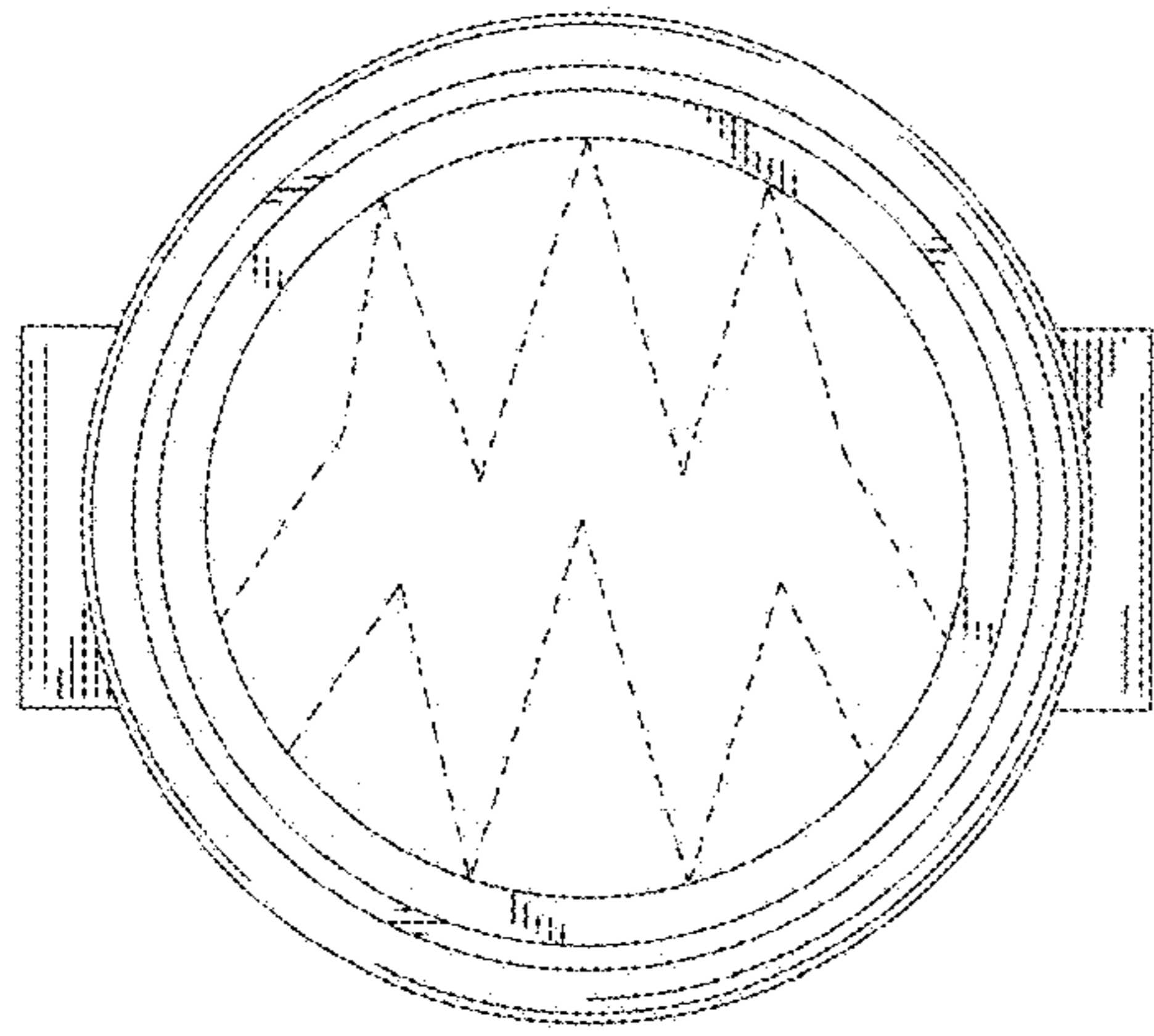


FIG. 4

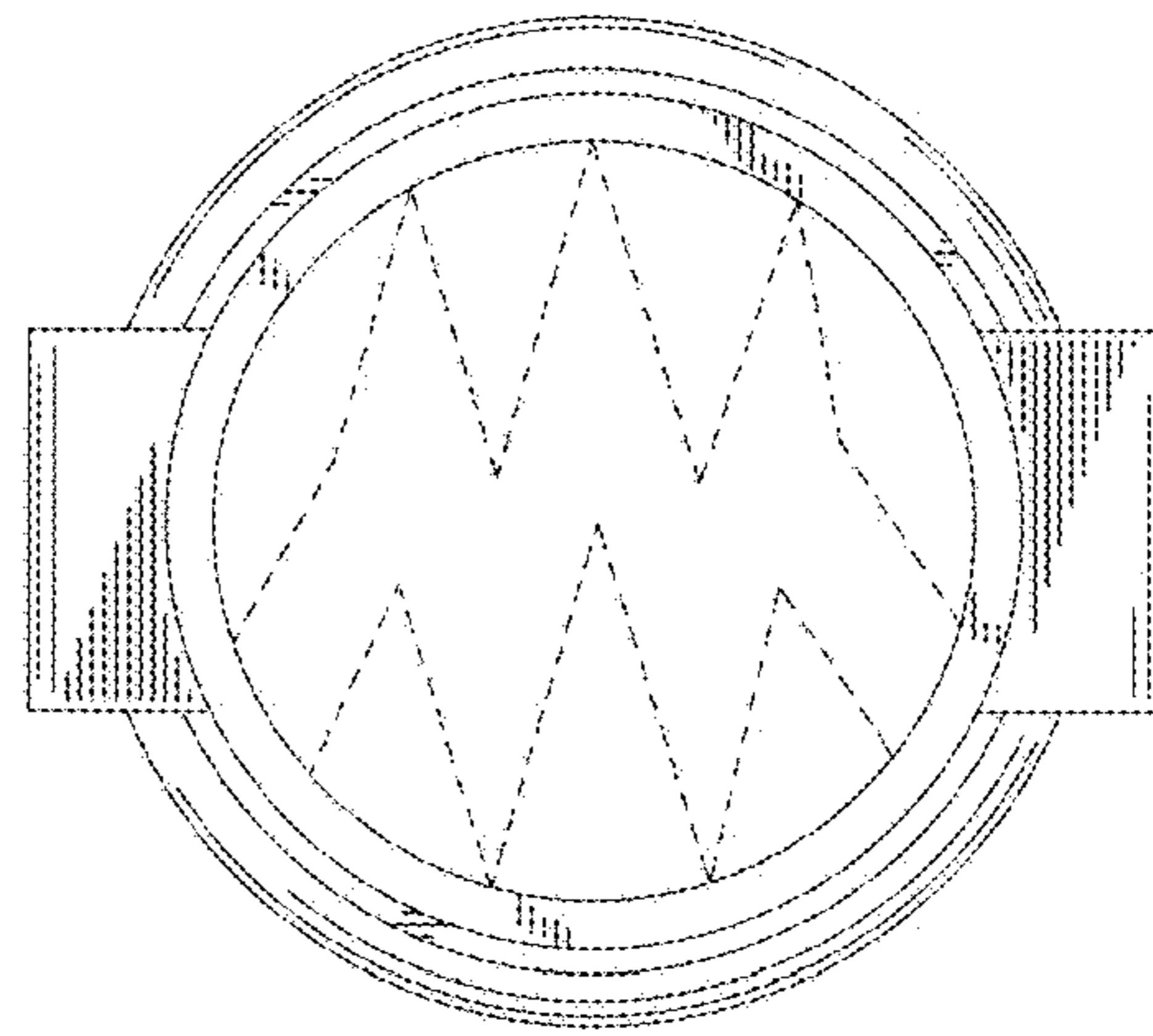


FIG. 5

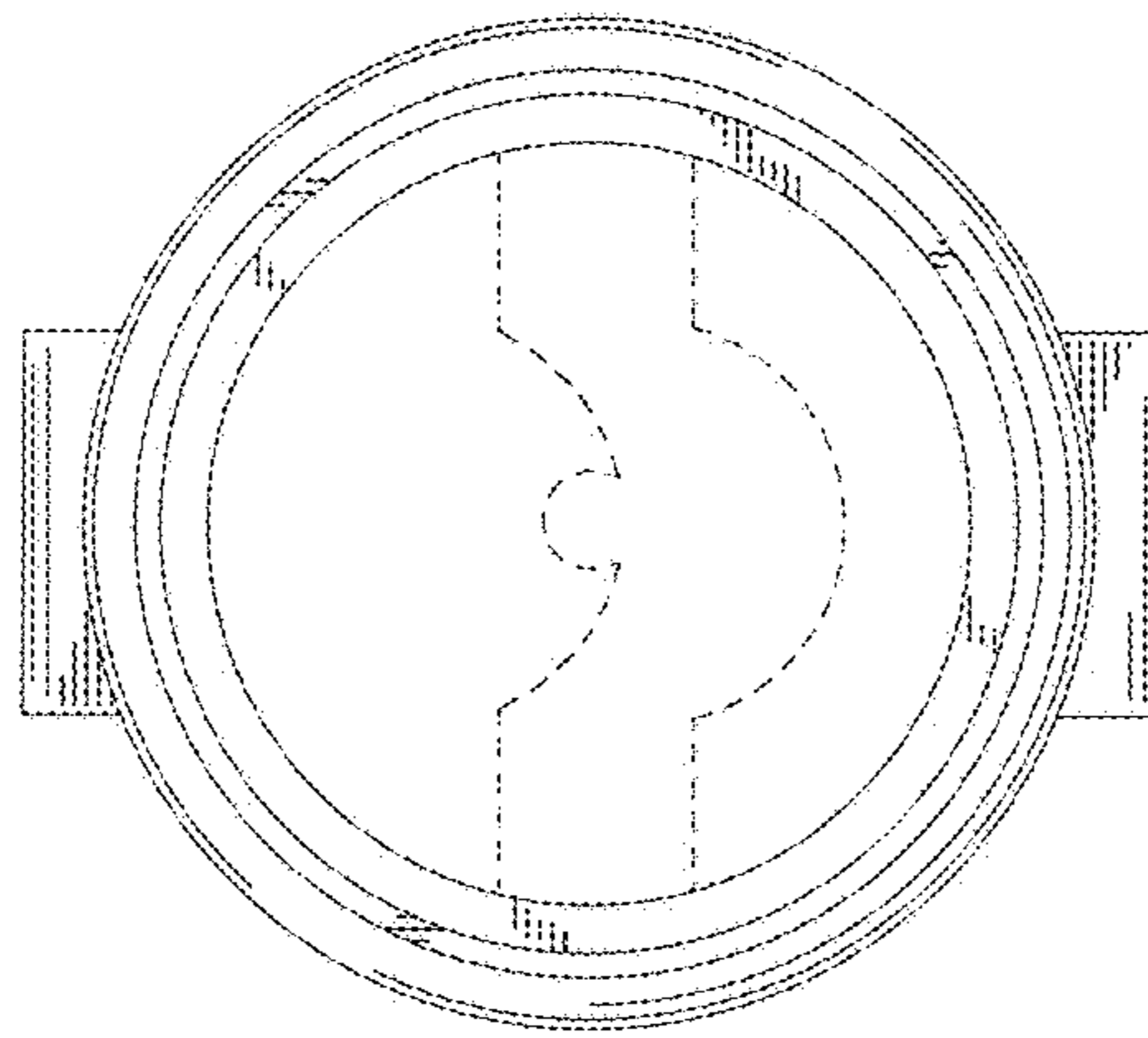


FIG. 6

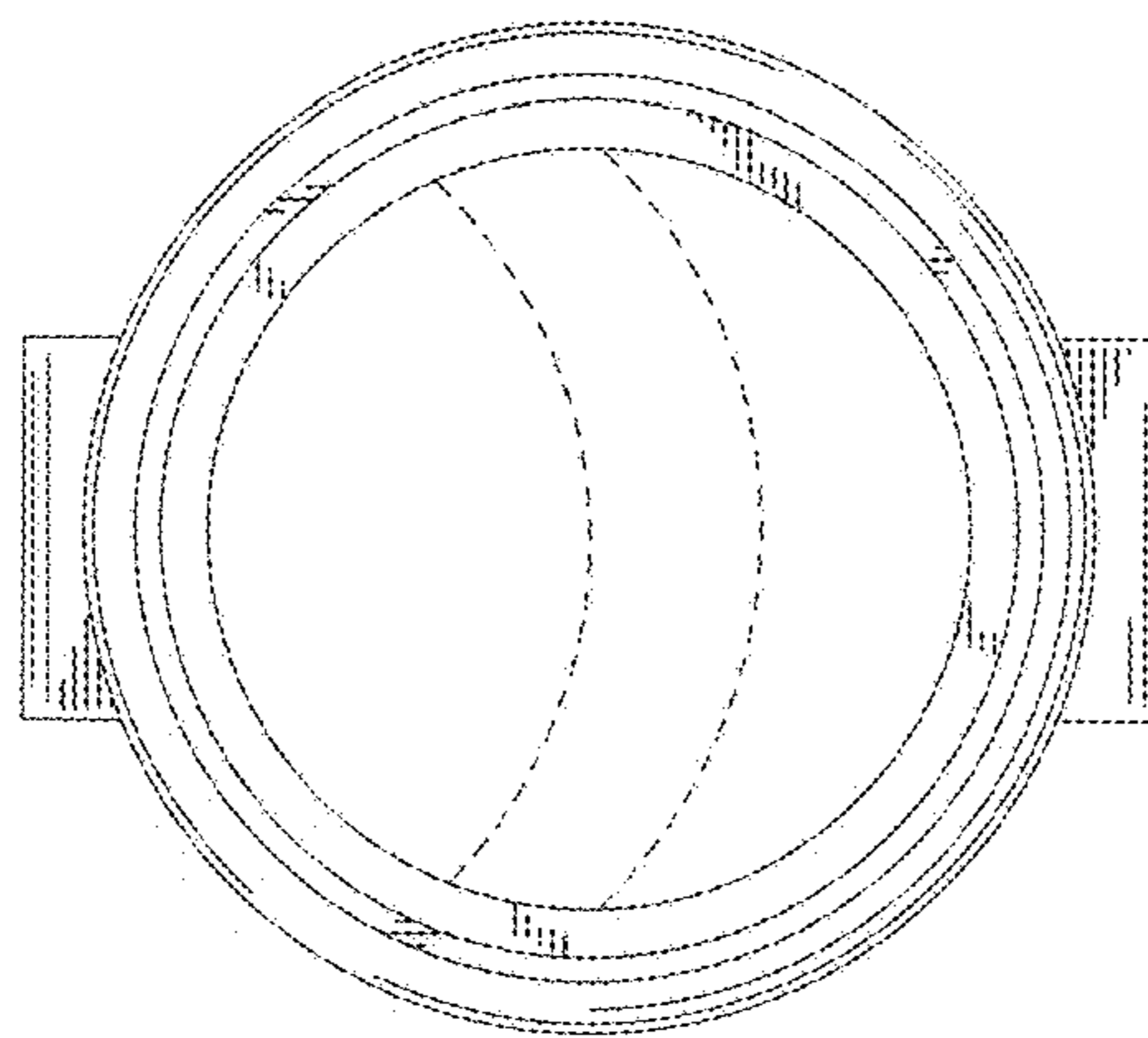


FIG. 7