



US00D845701S

(12) **United States Design Patent** (10) **Patent No.:** **US D845,701 S**
Rummel et al. (45) **Date of Patent:** **** Apr. 16, 2019**

(54) **LID**
(71) Applicant: **BRITA GMBH**, Taunusstein (DE)
(72) Inventors: **Christian Rummel**, Benningen (DE);
Tim Storti, Schwieberdingen (DE)
(73) Assignee: **BRITA GMBH**, Taunusstein (DE)
(**) Term: **15 Years**
(21) Appl. No.: **29/558,506**
(22) Filed: **Mar. 18, 2016**

D584,913 S * 1/2009 Green D7/317
D604,088 S * 11/2009 Bursztein D7/317
D639,102 S * 6/2011 Harris D7/317
D680,791 S * 4/2013 Bell D7/317
D698,199 S * 1/2014 Yessin D7/392.1
D702,476 S * 4/2014 Minica B67D 1/0085
D740,916 S * 10/2015 Doi D23/207
D742,680 S * 11/2015 Burrows D7/309
D757,477 S * 5/2016 Wang D7/306
D775,711 S * 1/2017 Poindexter D23/209
D786,071 S * 5/2017 Miller D9/435
D789,132 S * 6/2017 Roberts D6/542
D789,135 S * 6/2017 Green D7/317
D789,727 S * 6/2017 Rummel D7/318
2014/0042164 A1 * 2/2014 Zabaleta B65D 41/32
220/267

(30) **Foreign Application Priority Data**

Sep. 21, 2015 (DE) 40 2015 100 997

(51) **LOC (11) Cl.** **07-99**

(52) **U.S. Cl.**
USPC **D7/392.1**

(58) **Field of Classification Search**
USPC D3/272, 273, 274-276, 279, 282;
D7/300, 306, 312-319, 321, 325, 387,
D7/392, 392.1, 391, 393, 396.2, 396.3,
D7/396.4, 401.1, 507, 509-511, 538, 558,
D7/590-591, 598, 605, 608, 900;
D9/434-447, 449, 549-500, 504, 780,
D9/414, 424-432, 435, 438, 451-452
CPC A47J 41/00; A47J 36/06; A47G 21/18;
B65D 43/04; B65D 39/08; B65D 43/022;
B65D 43/021

See application file for complete search history.

(56) **References Cited**

U.S. PATENT DOCUMENTS

D345,669 S * 4/1994 Piret D7/316
D546,113 S * 7/2007 Ruoff D23/209

* cited by examiner

Primary Examiner — Jennifer Rivard

Assistant Examiner — Catherine S Posthauer

(74) *Attorney, Agent, or Firm* — Hudak, Shunk & Farine
Co. LPA

(57) **CLAIM**

The ornamental design for a “lid,” as shown and described.

DESCRIPTION

FIG. 1 is a right front perspective view of the lid showing our new design;

FIG. 2 is a right side view thereof;

FIG. 3 is a left side view thereof;

FIG. 4 is a front view thereof;

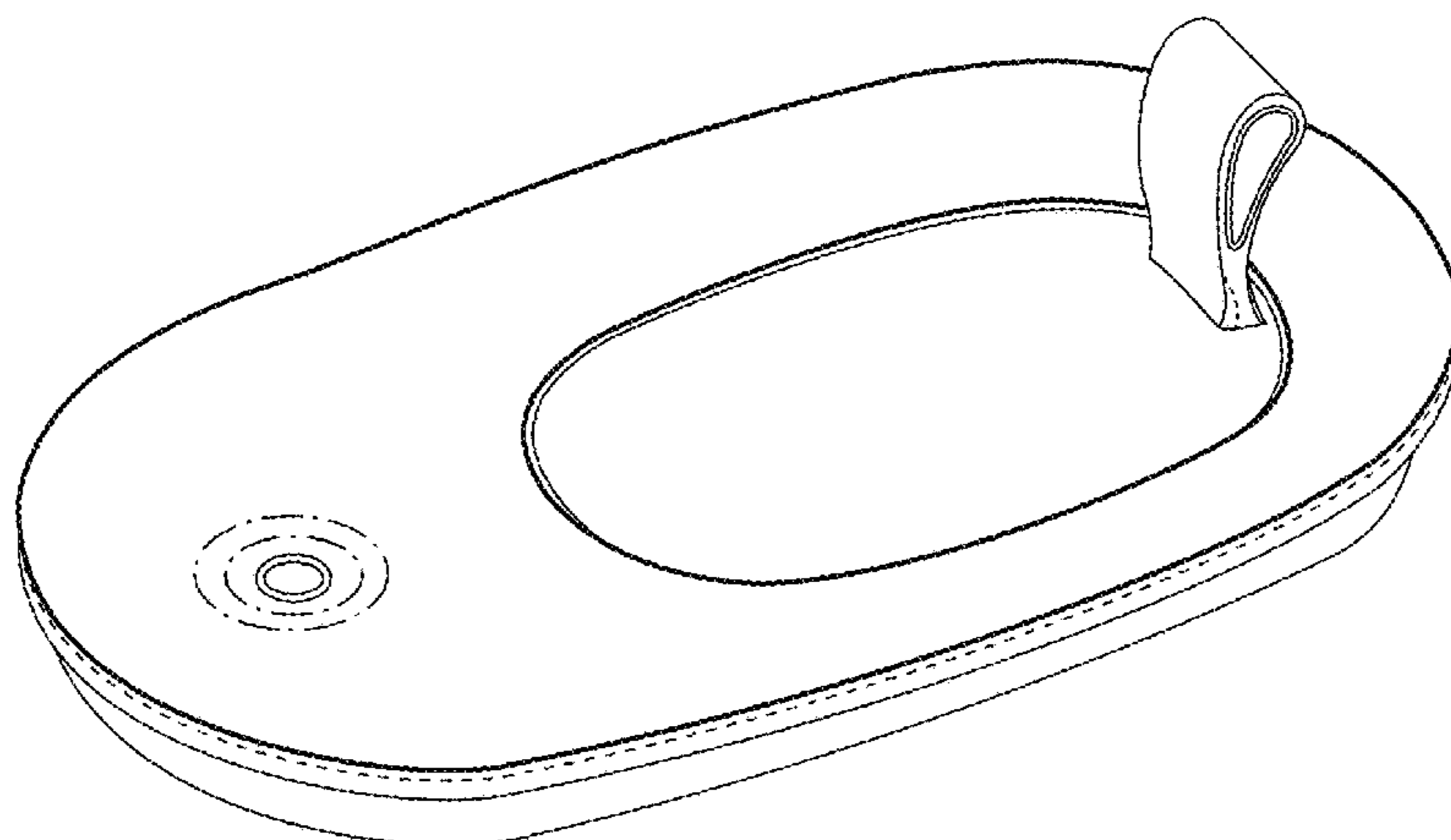
FIG. 5 is a rear view thereof;

FIG. 6 is a top view thereof; and,

FIG. 7 is a bottom view thereof.

The broken are shown for the purpose of illustrating parts of the article that form no part of the claim.

1 Claim, 7 Drawing Sheets



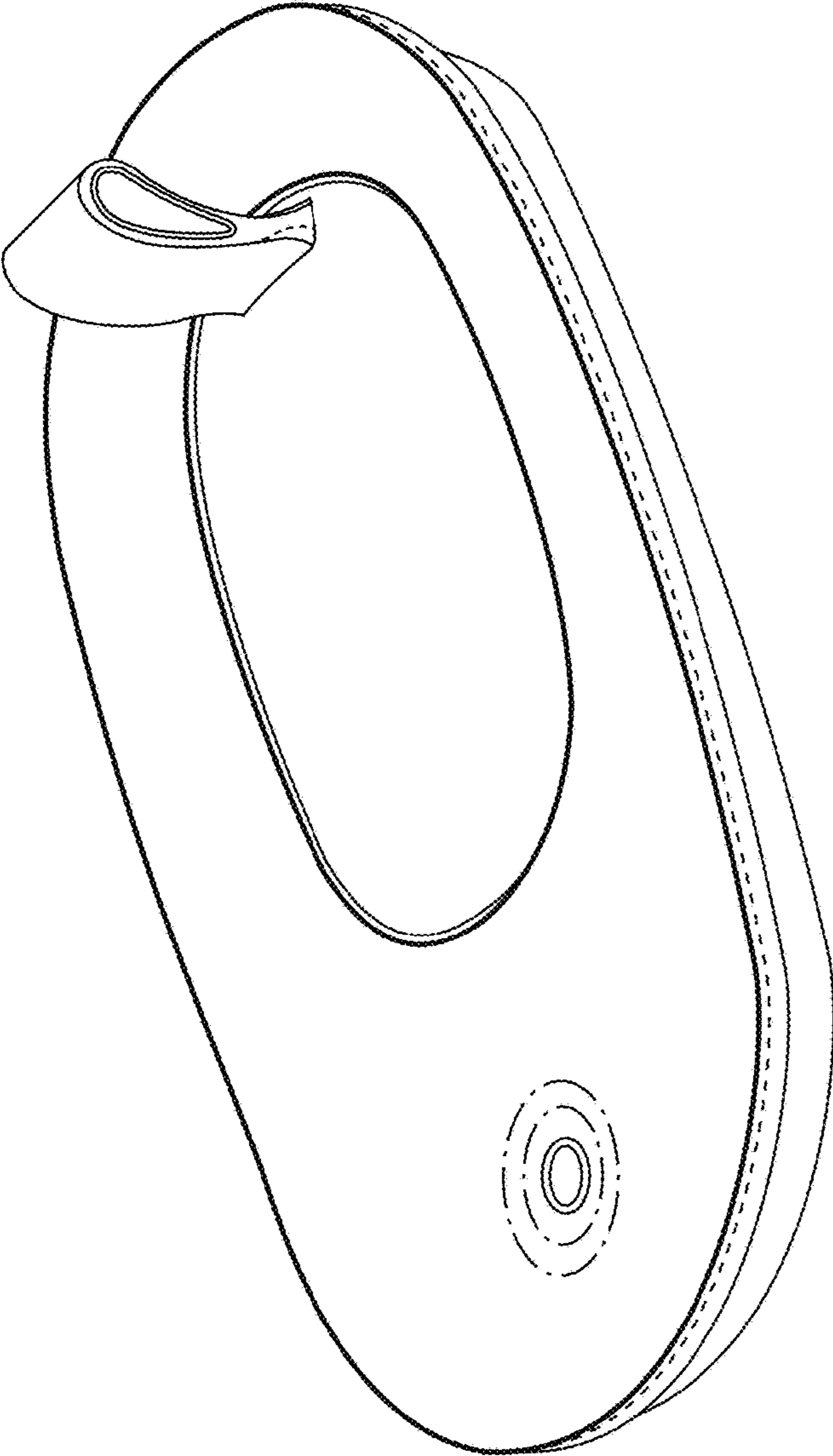


FIG. 1

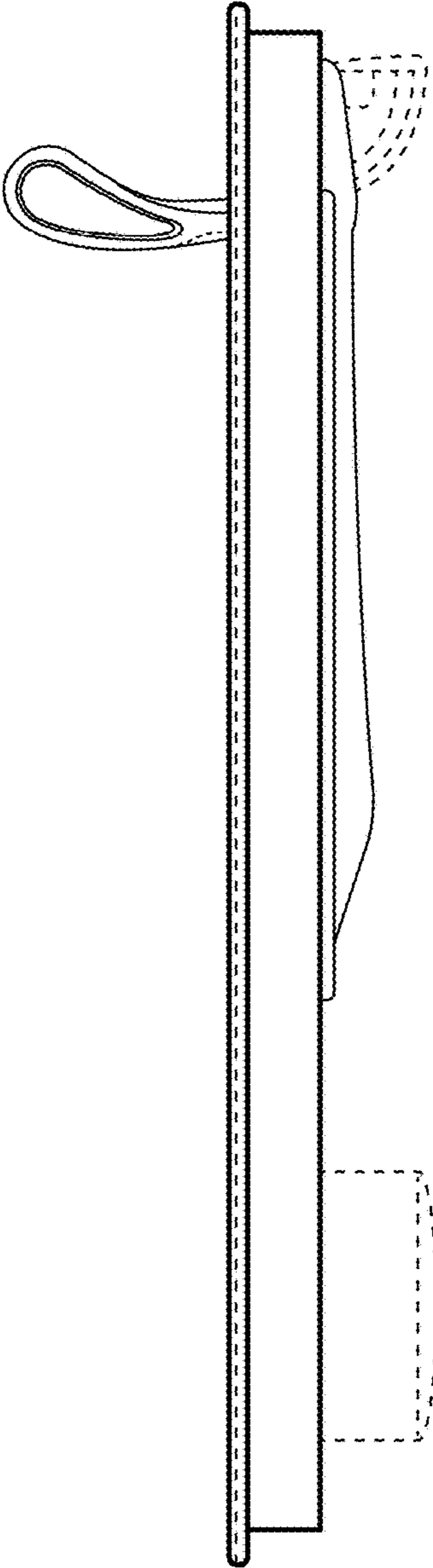


FIG. 2

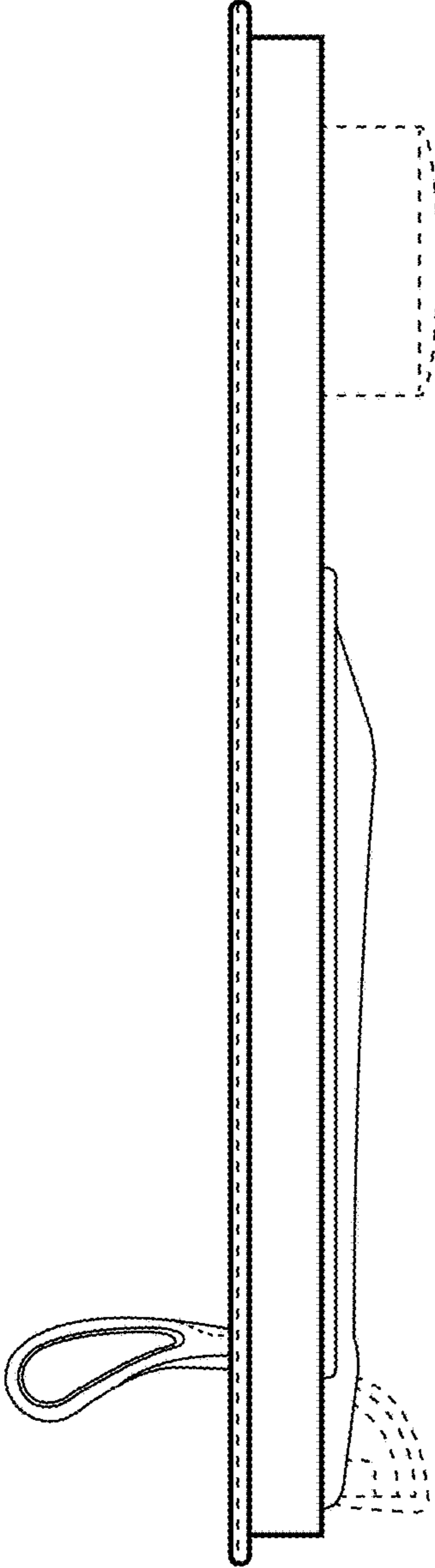


FIG. 3

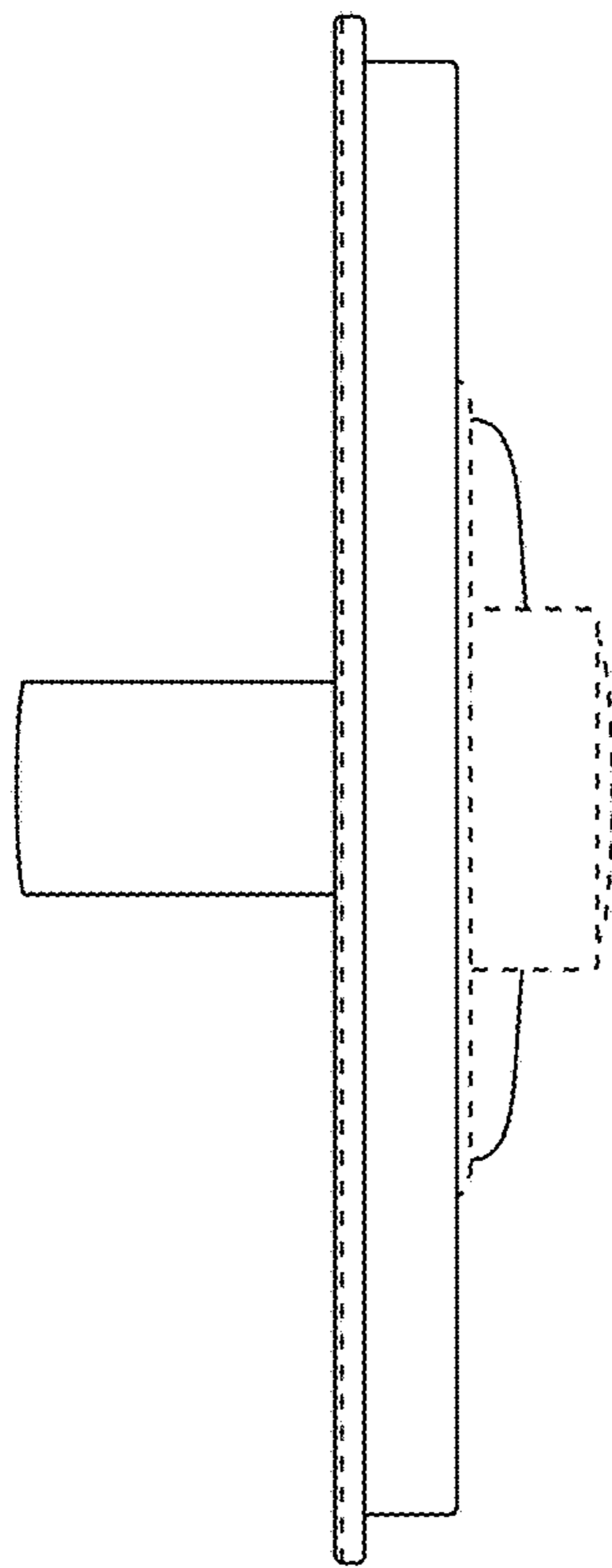


FIG. 4

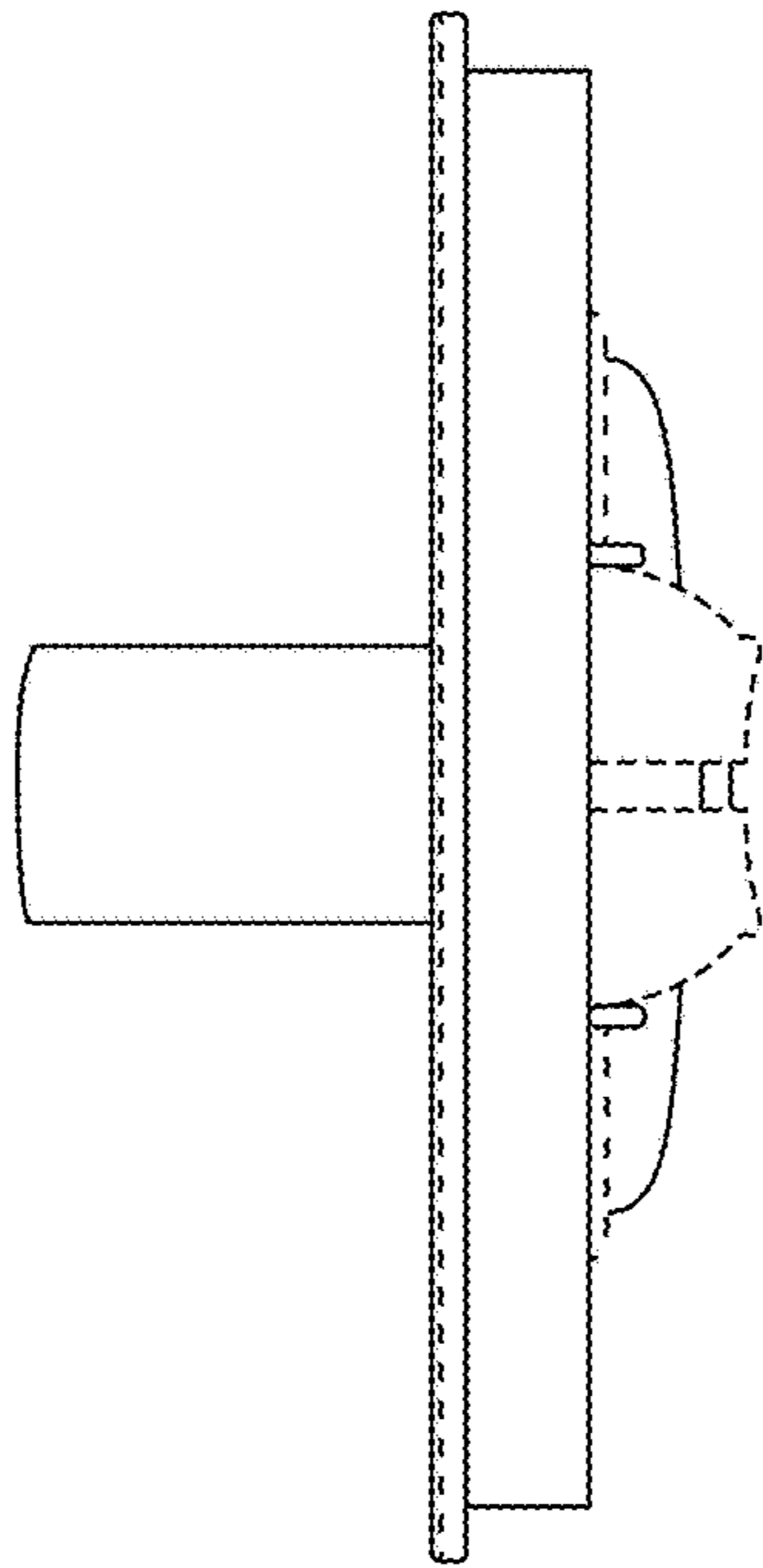


FIG. 5

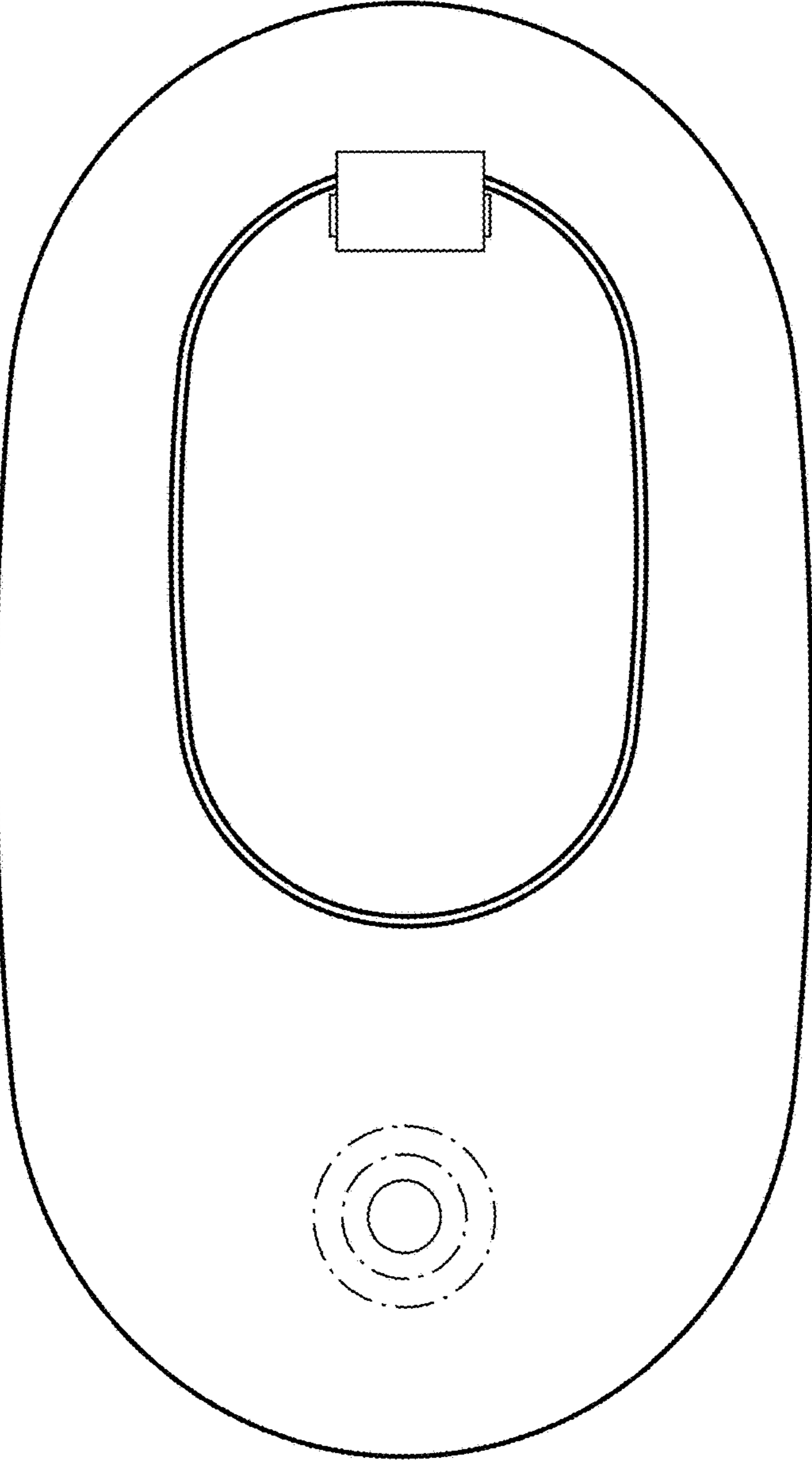


FIG. 6

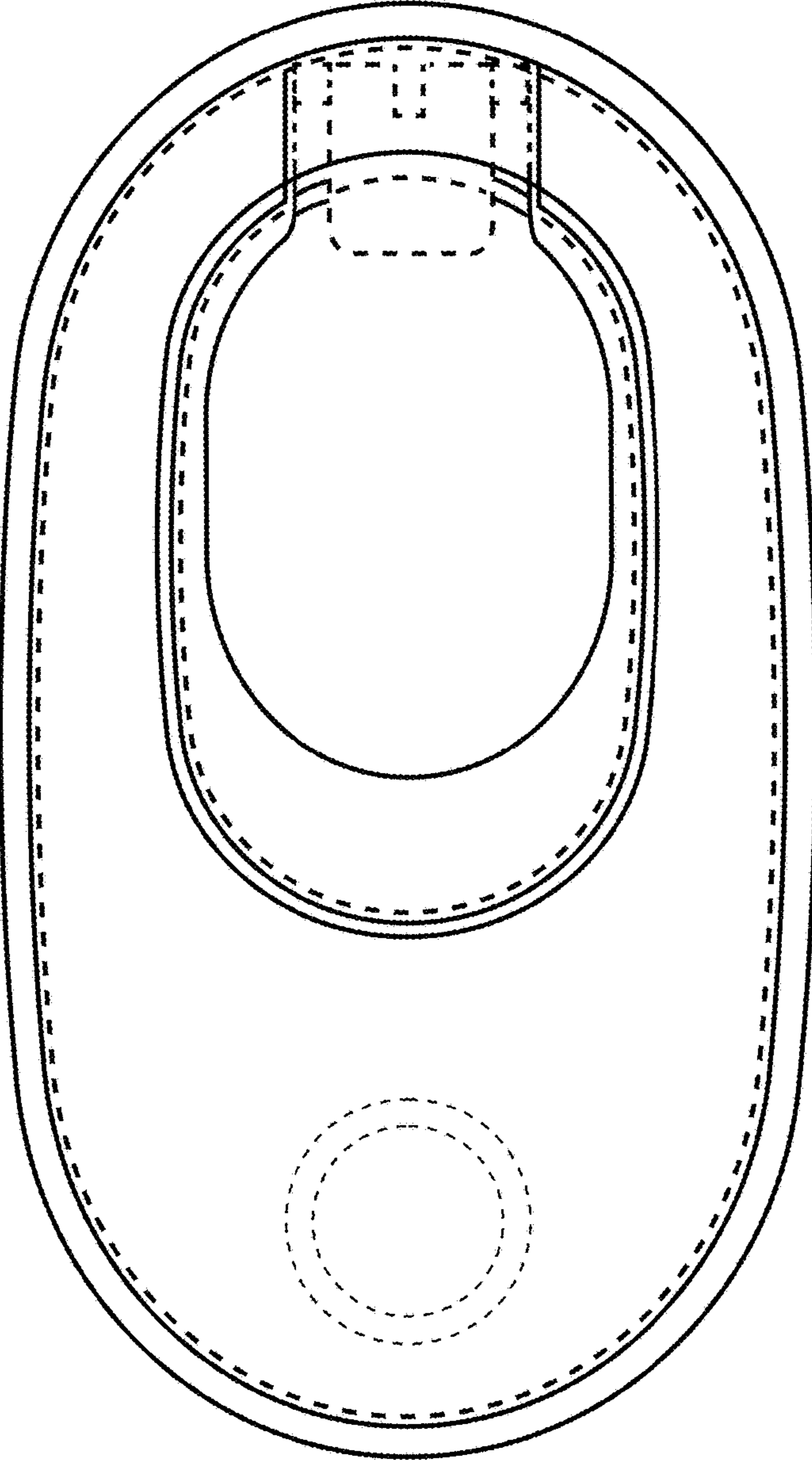


FIG. 7