



US00D845697S

(12) **United States Design Patent** (10) **Patent No.:** **US D845,697 S**
Gordon et al. (45) **Date of Patent:** **** Apr. 16, 2019**

(54) **HAND MIXER**

(56) **References Cited**

(71) Applicant: **Sunbeam Products, Inc.**, Boca Raton, FL (US)

U.S. PATENT DOCUMENTS

(72) Inventors: **Stewart Gordon**, Cheadle (GB); **Nick Brook**, Sale (GB); **Mark Skinner**, Salford (GB)

D174,117 S *	3/1955	Ernest	D7/379
D182,424 S *	4/1958	Madl	D7/379
D182,885 S *	5/1958	Ernest	D7/379
D255,760 S *	7/1980	Ernest	D7/379
D309,081 S *	7/1990	Thomas	D7/376
D337,667 S *	7/1993	Lovett	D7/376
D367,400 S *	2/1996	Viemeister	D7/379
D540,114 S *	4/2007	Picozza	D7/379
D588,865 S *	3/2009	Ferraby	D7/380
D665,224 S *	8/2012	Benoit	D7/376
D756,165 S *	5/2016	Lee	D7/376
D807,109 S *	1/2018	Ho	D7/379
D830,764 S *	10/2018	Vu	D7/379

(73) Assignee: **Sunbeam Products, Inc.**, Boca Raton, FL (US)

(**) Term: **15 Years**

* cited by examiner

(21) Appl. No.: **29/641,829**

(22) Filed: **Mar. 26, 2018**

Primary Examiner — Ricky Pham

(51) **LOC (11) Cl.** **31-00**

(52) **U.S. Cl.**
USPC **D7/379; D7/376**

(57) **CLAIM**

The ornamental design for the of hand mixer, as shown and described.

(58) **Field of Classification Search**
USPC D7/372, 376-386, 412-413, 602, 629, D7/665-666, 669, 679, 693-694
CPC A21C 1/02; A21C 1/04; A23N 1/00; A23N 1/02; A47J 43/04; A47J 43/25; A47J 43/27; A47J 43/042; A47J 43/044; A47J 43/046; A47J 43/075; A47J 43/0711; A47J 43/0722; A47J 43/0727; A47J 43/082; B01F 3/00; B01F 3/0807; B01F 3/0853; B01F 13/0059; B01F 13/0064; B02C 1/08; B02C 2/04; B02C 4/42; B02C 4/142; B02C 4/143; B02C 4/423; B02C 13/1835; B28C 5/10; B28C 5/12; B28C 5/14; B28C 5/16

DESCRIPTION

FIG. 1 depicts a front perspective view of a hand mixer of the present disclosure;
FIG. 2 is a front side view of the hand mixer of FIG. 1;
FIG. 3 is a rear side view of the hand mixer of FIG. 1;
FIG. 4 is a right side view of the hand mixer of FIG. 1;
FIG. 5 is a left side view of the hand mixer of FIG. 1;
FIG. 6 is a top view of the hand mixer of FIG. 1; and,
FIG. 7 depicts a bottom view of the hand mixer of FIG. 1.
The broken lines in the drawings depict portions of the hand mixer that form no part of the claimed design.

See application file for complete search history.

1 Claim, 5 Drawing Sheets

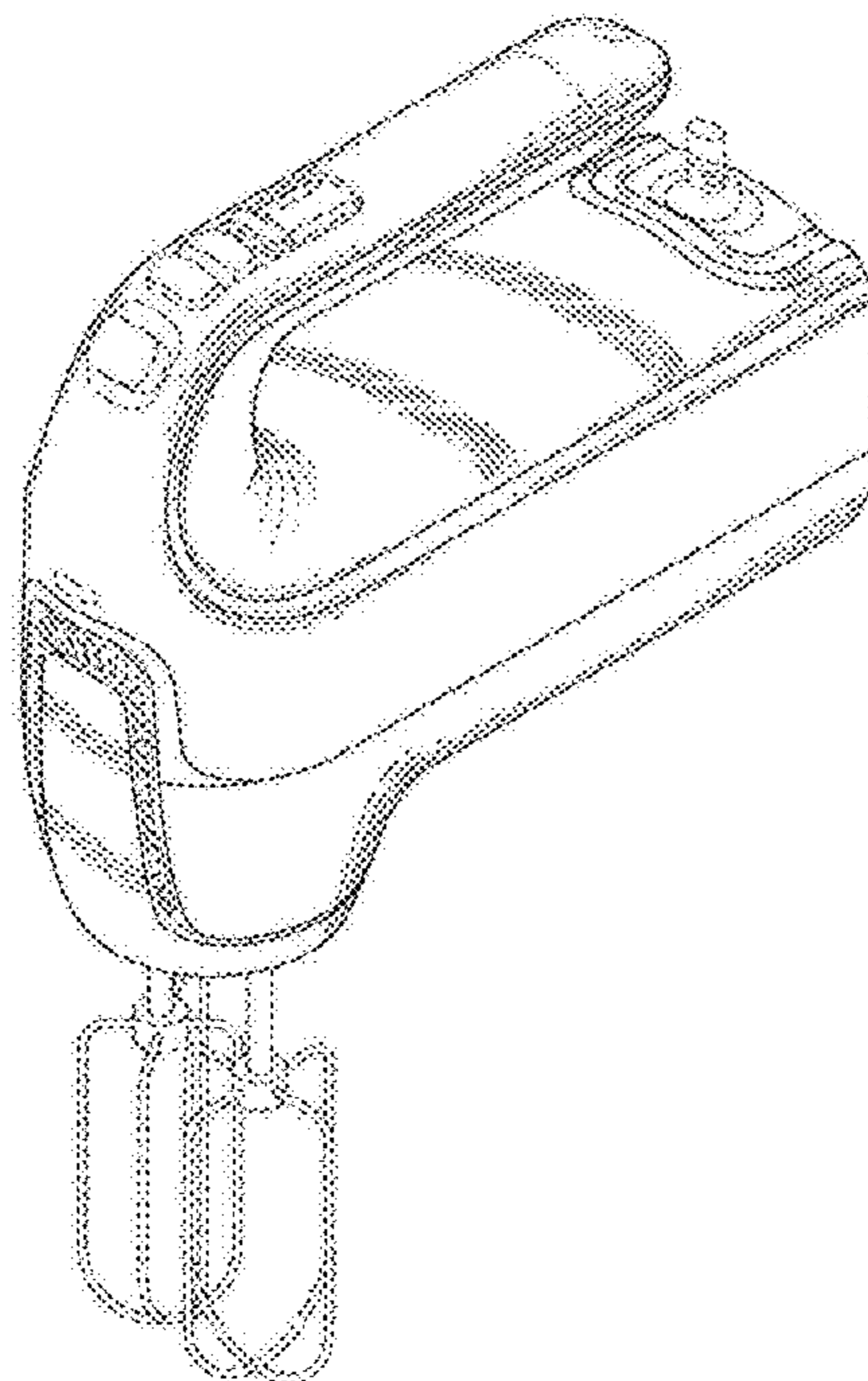


FIG. 1

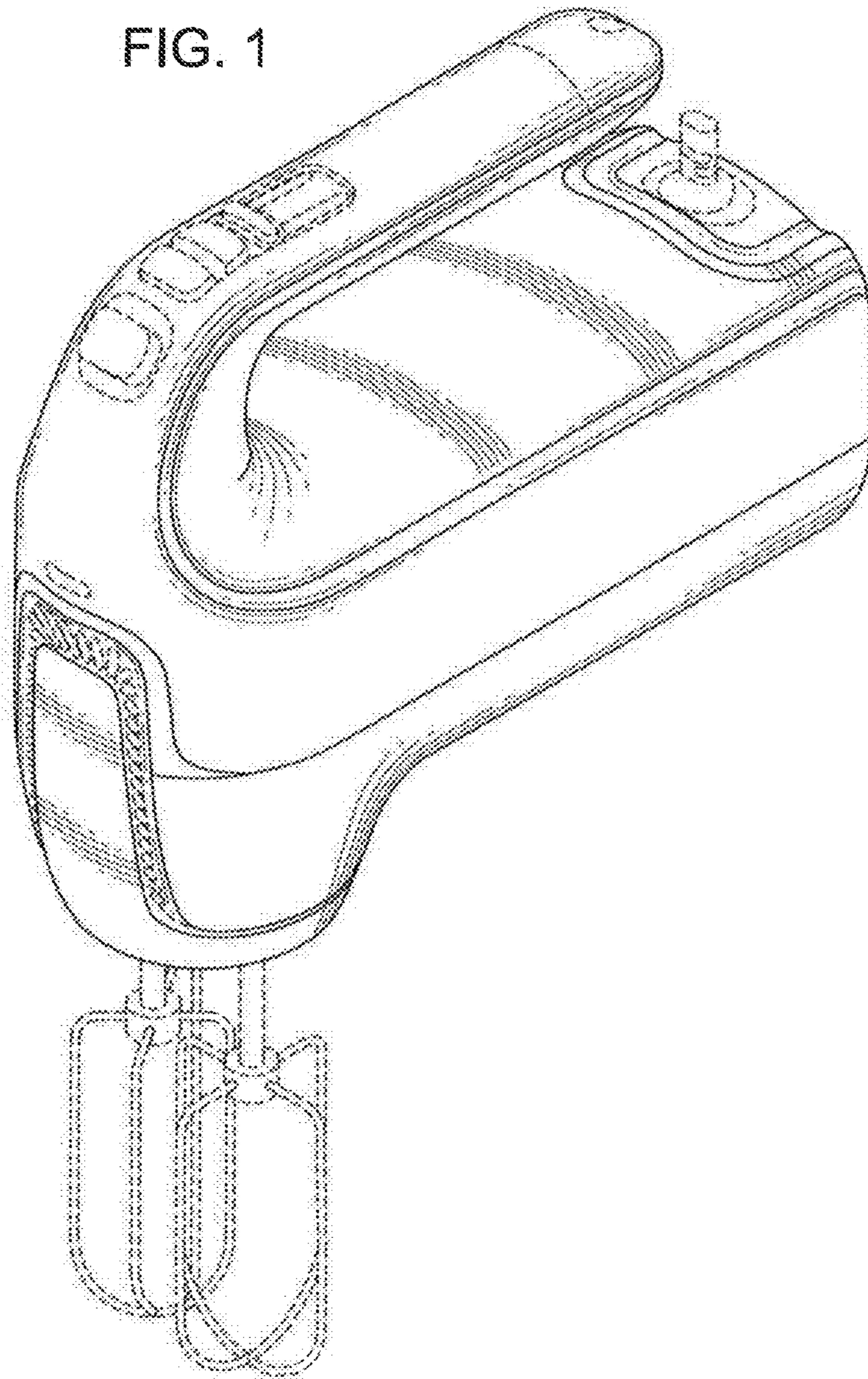


FIG. 2

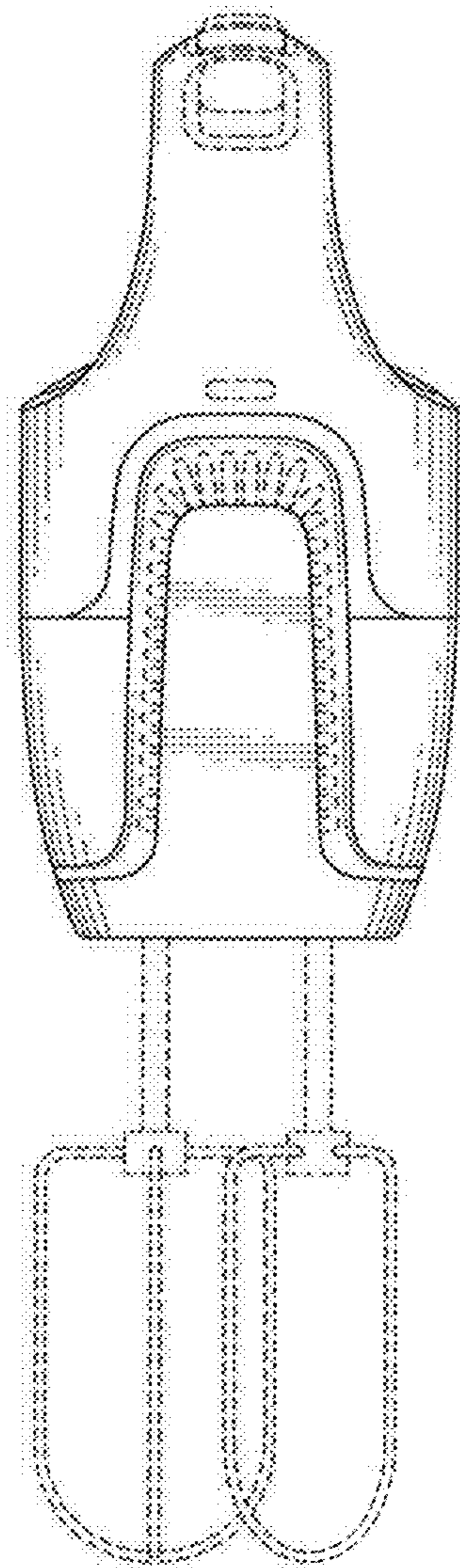


FIG. 3

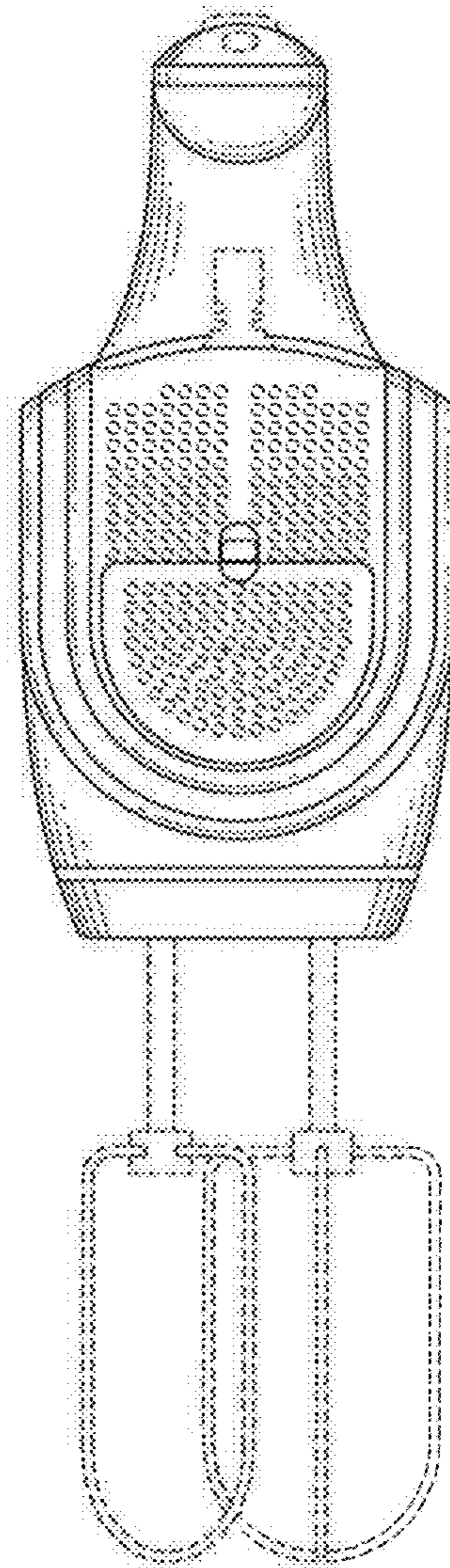


FIG. 4

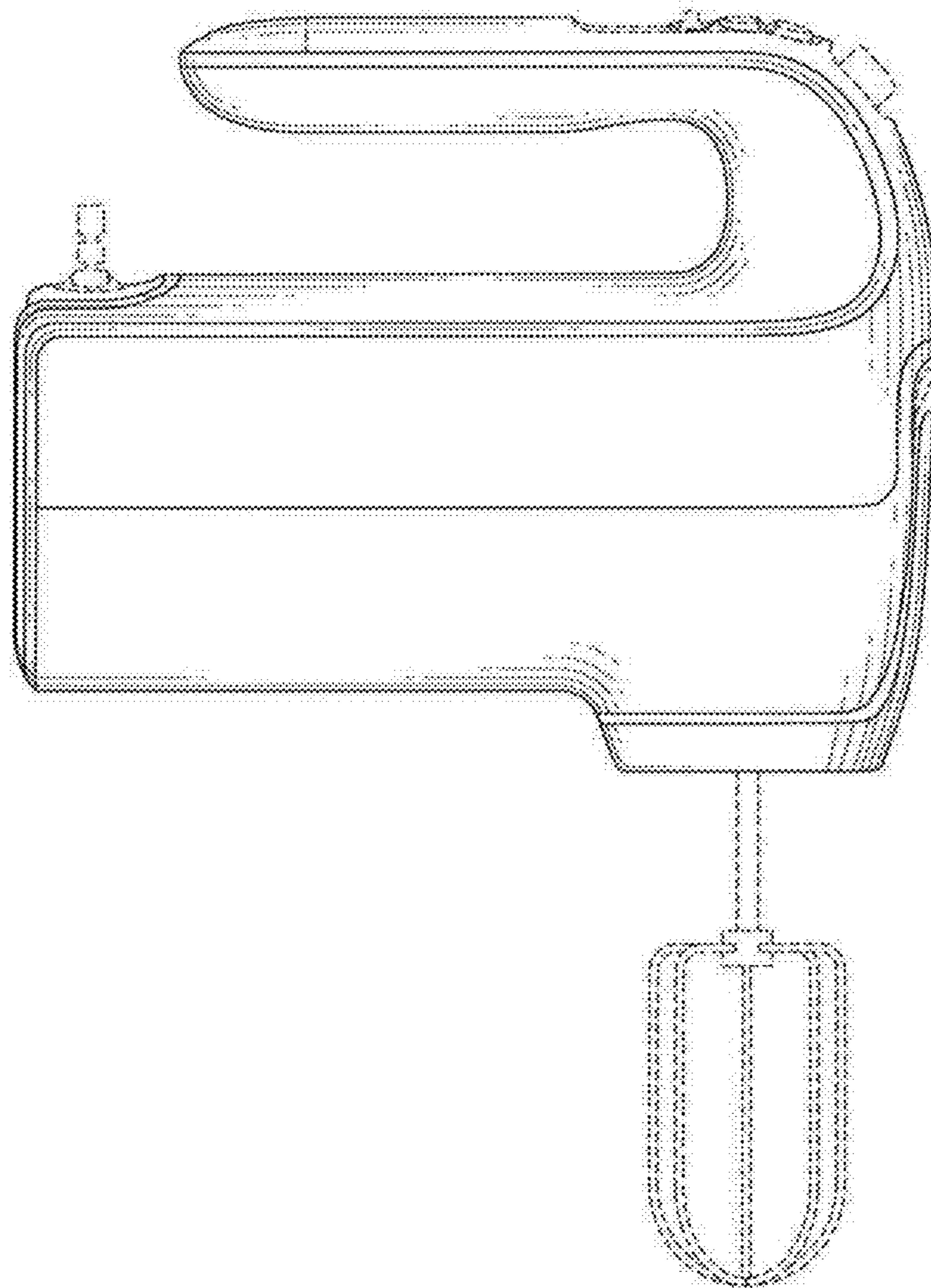


FIG. 5

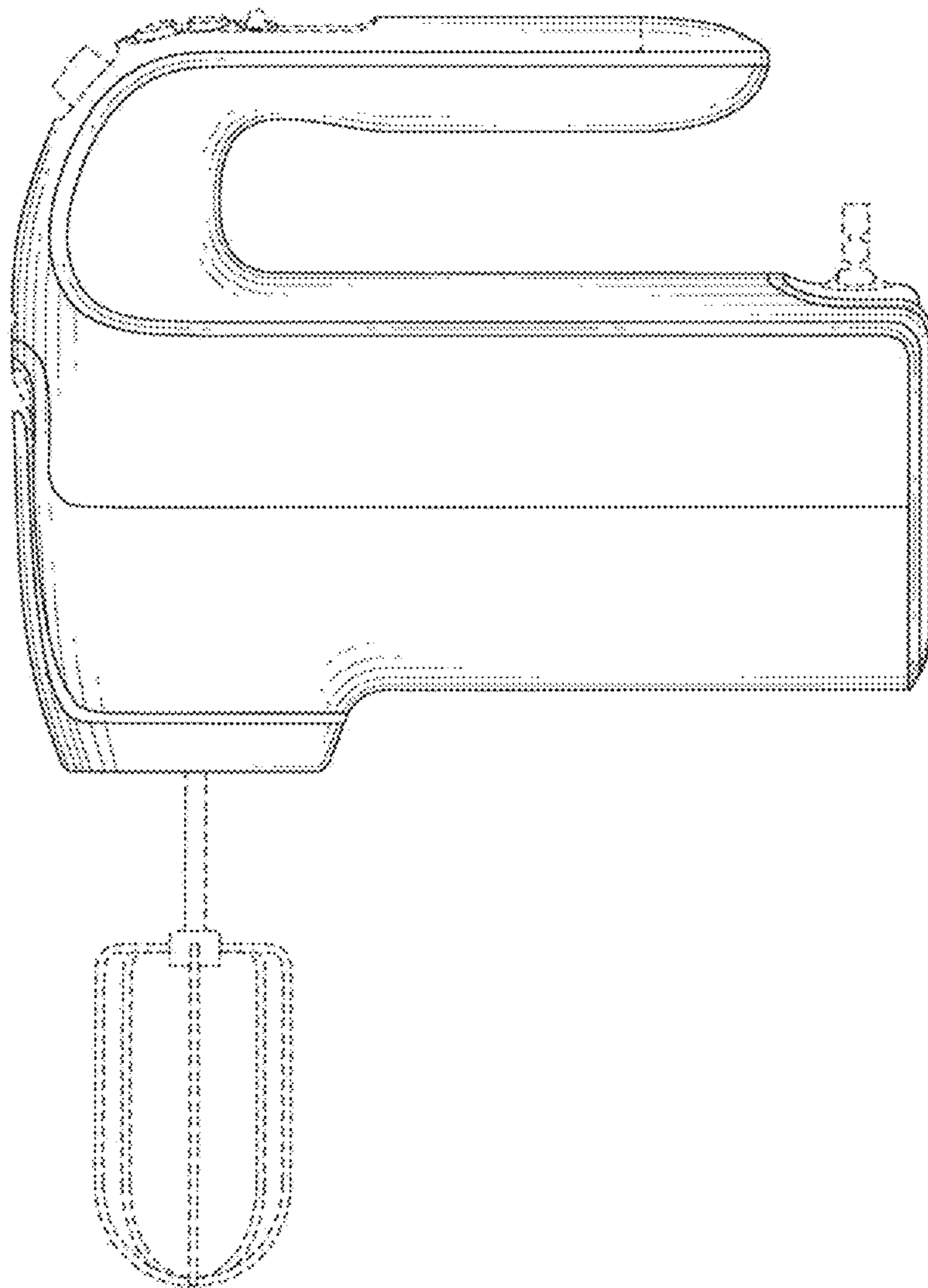


FIG. 6

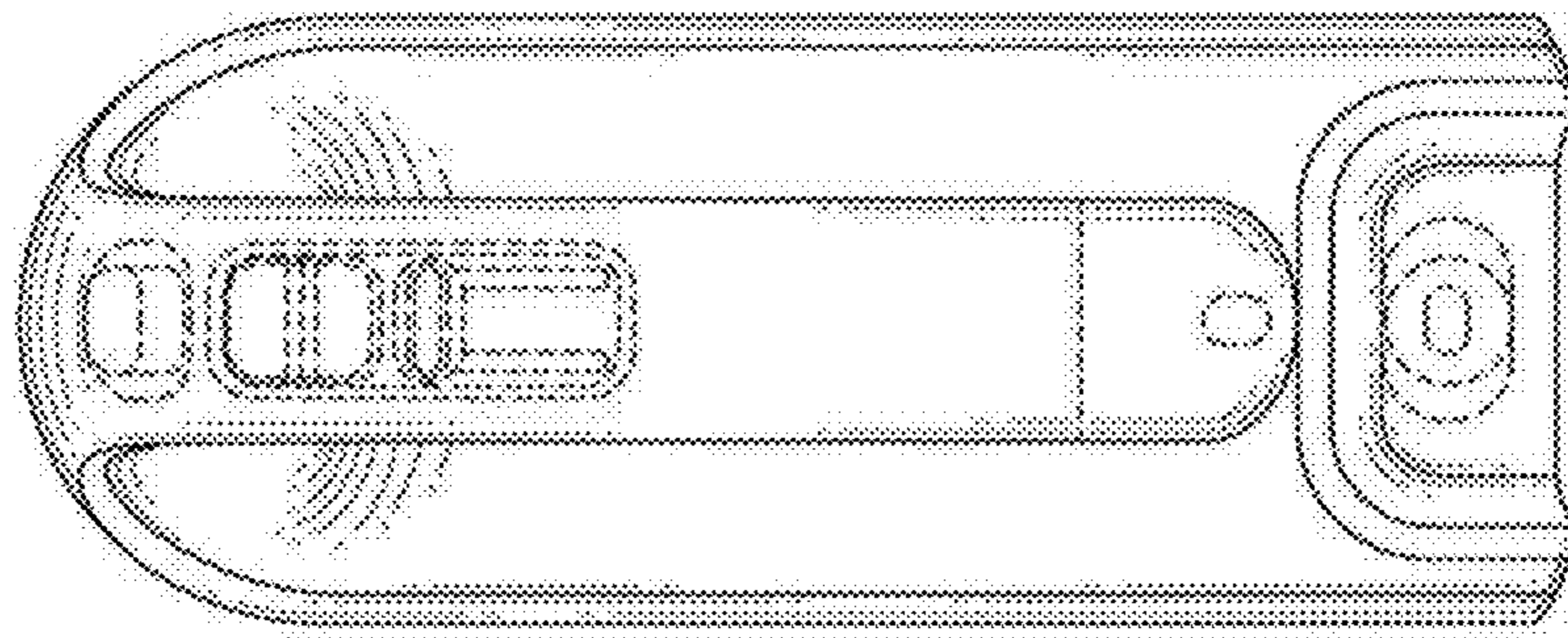


FIG. 7

