



US00D845695S

(12) **United States Design Patent** (10) **Patent No.:** **US D845,695 S**  
**Wu** (45) **Date of Patent:** **\*\* Apr. 16, 2019**

(54) **PIZZA STOVE**

(71) Applicant: **Yongjie Wu**, Zhejiang (CN)

(72) Inventor: **Yongjie Wu**, Zhejiang (CN)

(\*\*) Term: **15 Years**

(21) Appl. No.: **29/606,173**

(22) Filed: **Jun. 2, 2017**

(30) **Foreign Application Priority Data**

Dec. 3, 2016 (CN) ..... 2016 3 0591102

(51) **LOC (11) Cl.** ..... **07-02**

(52) **U.S. Cl.**  
USPC ..... **D7/334**

(58) **Field of Classification Search**  
USPC ..... D7/213, 323, 324, 325, 326, 327, 328,  
D7/329, 330, 331, 332, 333, 334, 335,  
D7/336, 337, 339, 347, 402, 404, 405,  
D7/406, 407

CPC .... G05D 7/00; F24F 13/07; F24F 1/00; F24C  
5/00; F24C 5/20; F24C 3/00; F24C 3/10;  
F24C 3/12; F24C 15/06; F24C 15/08;  
F24C 15/10; F24C 15/16; F24C 15/20;  
F24C 1/16; F24B 3/00; F24B 1/207;  
F23N 5/22; B60H 3/00; B32B 15/04;  
A47J 43/00; A47J 43/18; A47J 37/00;  
A47J 37/04; A47J 37/06; A47J 37/07;  
A47J 37/10; A47J 37/041; A47J 37/0704;  
A47J 37/0713; A47J 37/0763; A47J  
27/04; A23L 1/00

See application file for complete search history.

(56) **References Cited**

U.S. PATENT DOCUMENTS

D547,111	S	*	7/2007	Loyd	.....	D7/348
D688,507	S	*	8/2013	Hill	.....	D7/323
D693,166	S	*	11/2013	Measom	.....	D7/350.1
D770,605	S	*	11/2016	Wu	.....	D23/329
D775,489	S	*	1/2017	Zemel	.....	D7/332
9,635,979	B2	*	5/2017	Abrams	.....	A47J 37/0713
2006/0191528	A1	*	8/2006	Spangrud	.....	A47J 37/0713 126/275 R
2007/0277805	A1	*	12/2007	Ho	.....	A47J 37/041 126/25 R
2010/0059038	A1	*	3/2010	Ho	.....	A47J 37/0763 126/25 R
2014/0109610	A1	*	4/2014	Wulf	.....	F24F 1/00 62/314

\* cited by examiner

*Primary Examiner* — Terry A Wallace

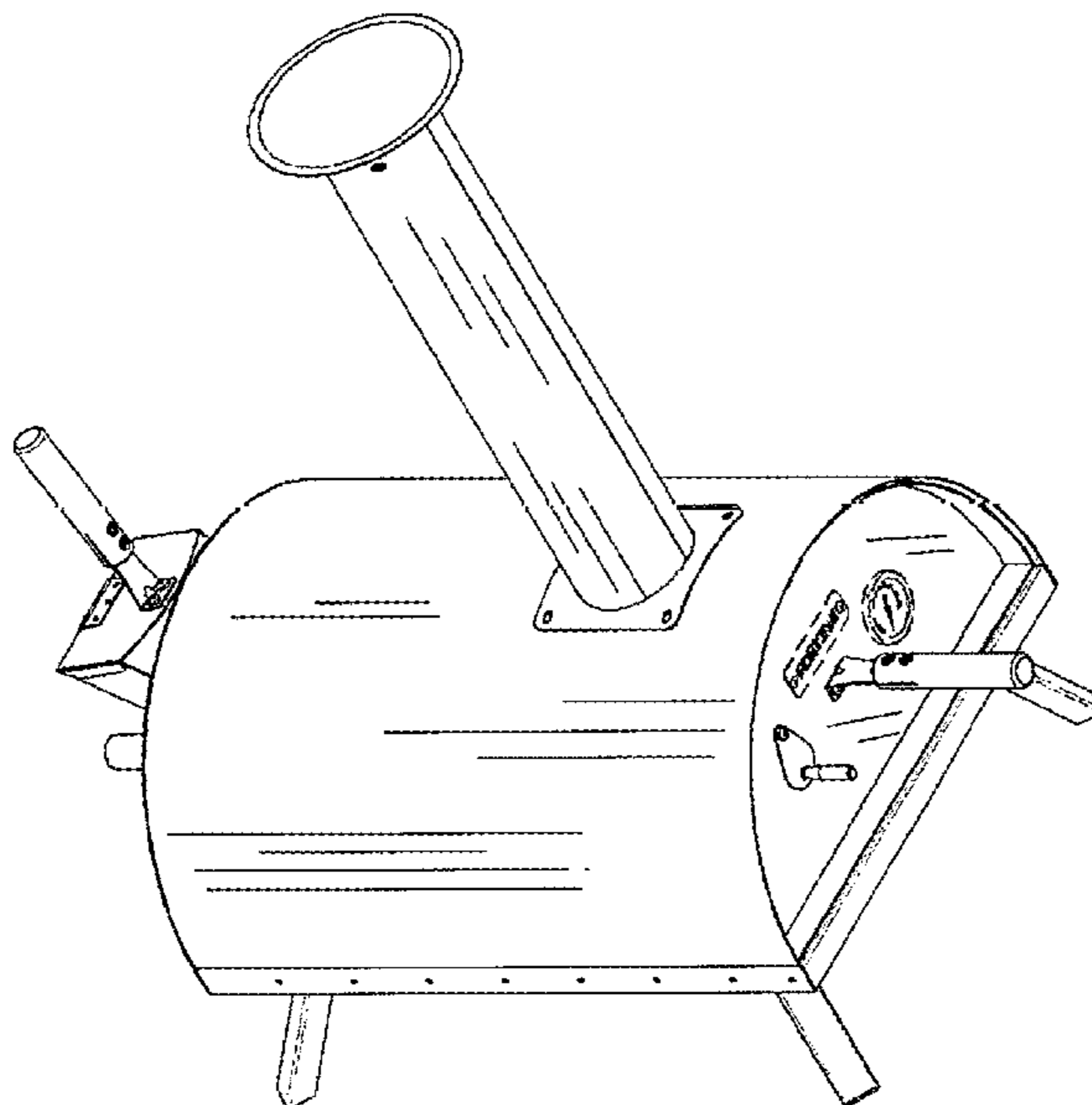
(57) **CLAIM**

The ornamental design for a pizza stove, as shown and described.

**DESCRIPTION**

FIG. 1 is a perspective view of a pizza stove showing my new design;  
FIG. 2 is a front elevational view thereof;  
FIG. 3 is a rear elevational view thereof;  
FIG. 4 is a right side view thereof;  
FIG. 5 is a left side view thereof;  
FIG. 6 is a top plan view thereof; and,  
FIG. 7 is a bottom plan view thereof.  
The broken lines are for unclaimed subject matter and form no part of the claimed design.

**1 Claim, 7 Drawing Sheets**



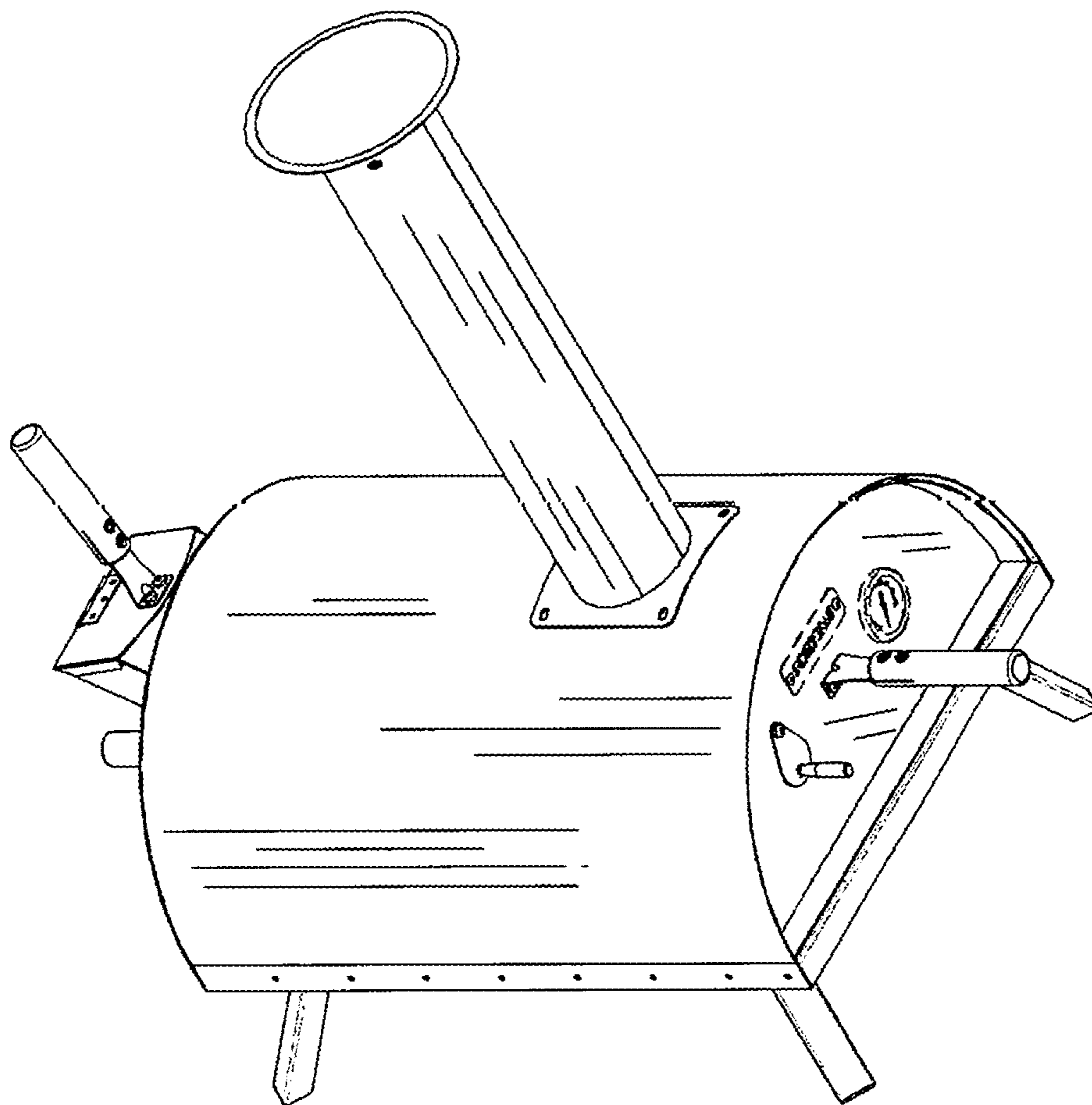


FIG. 1

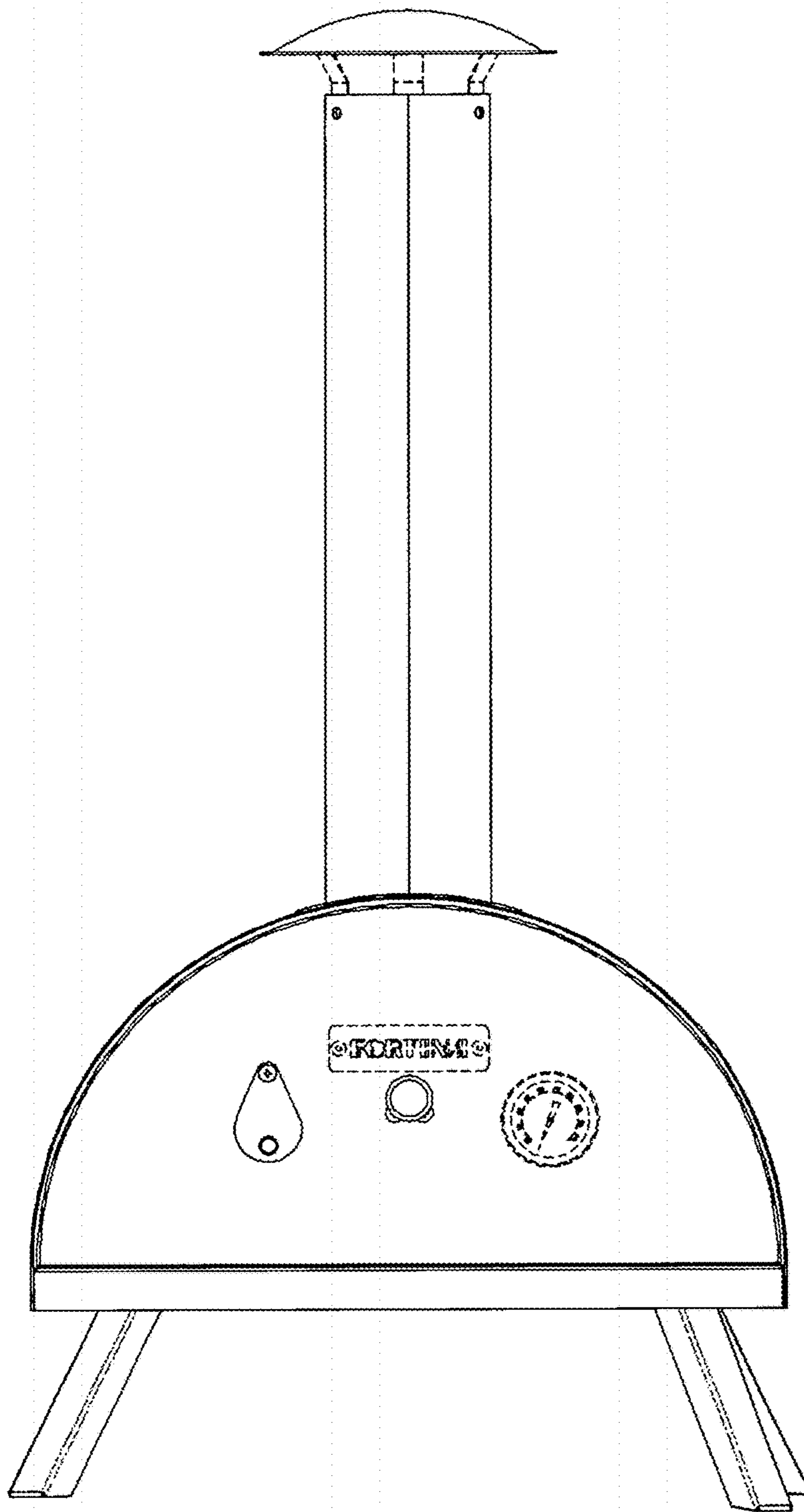
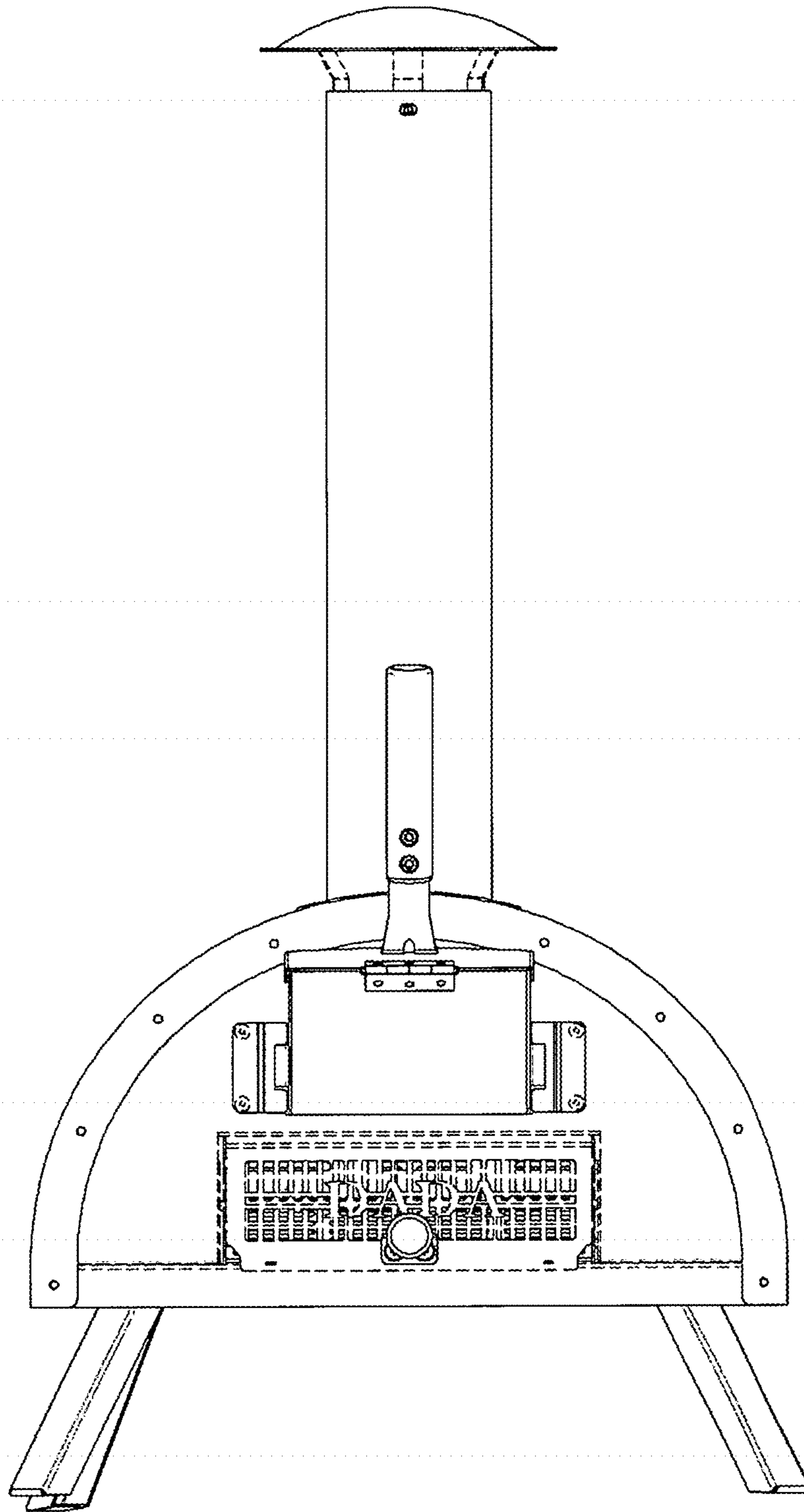


FIG. 2



**FIG. 3**

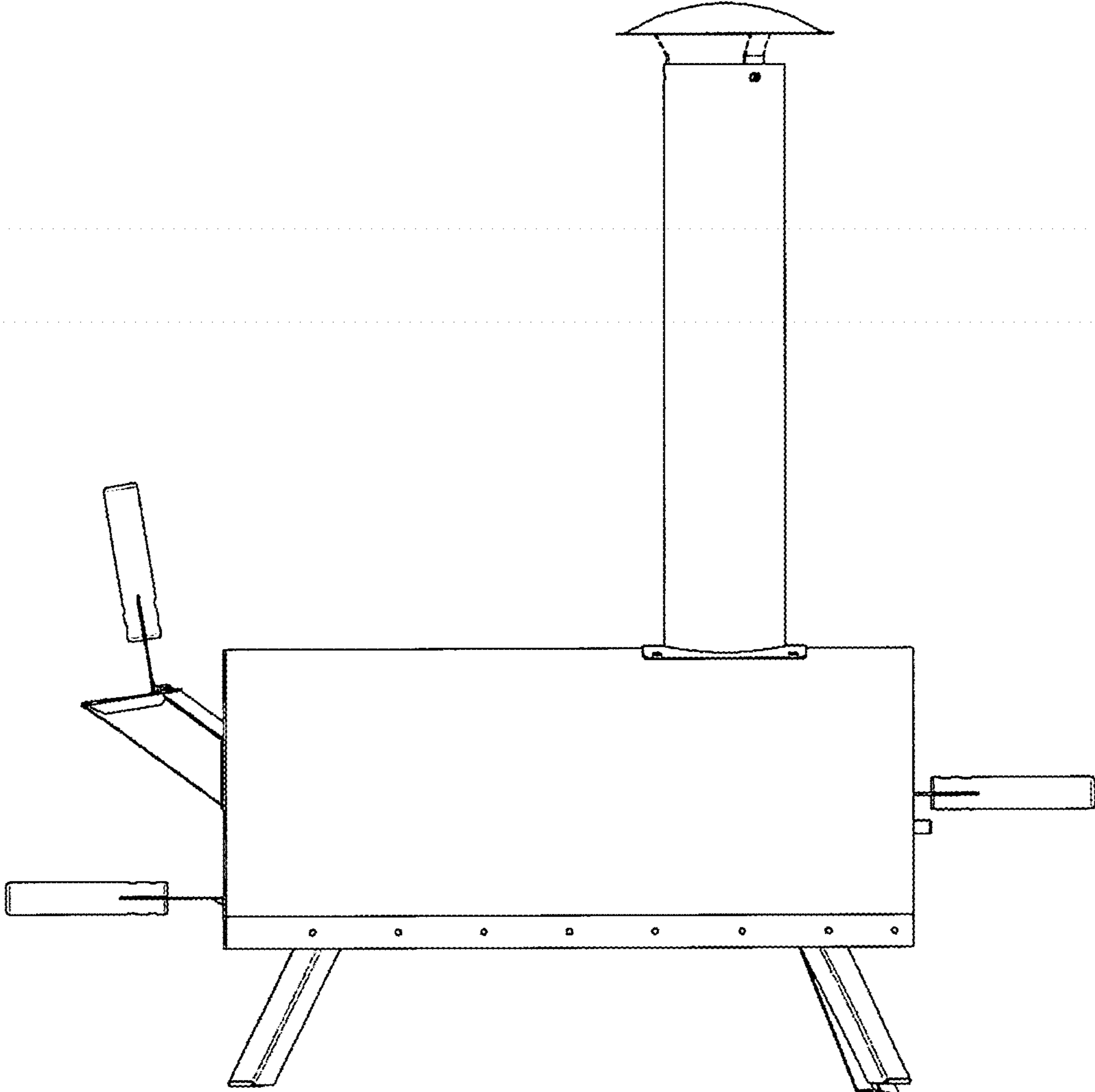


FIG. 4

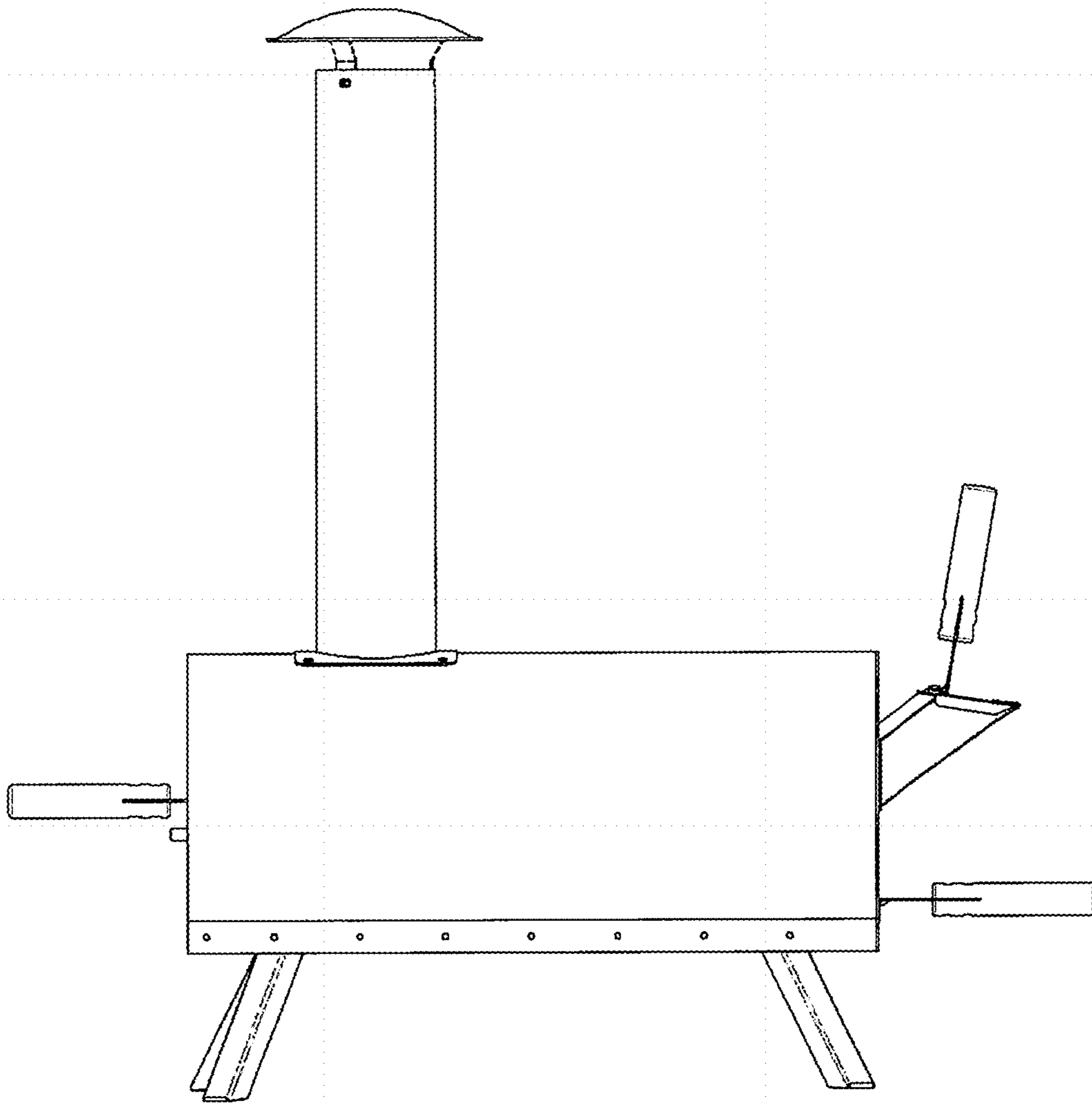
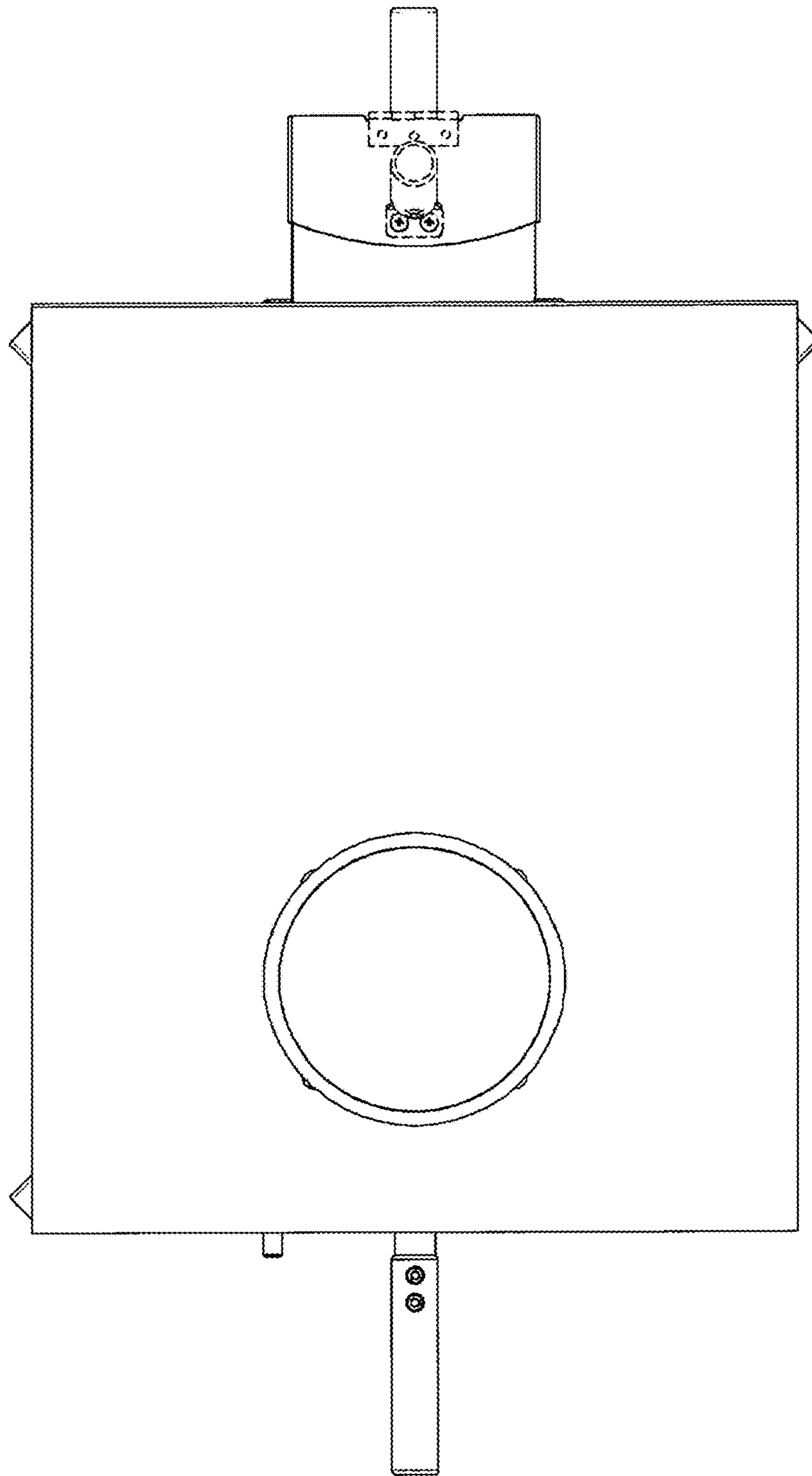


FIG. 5



**FIG. 6**



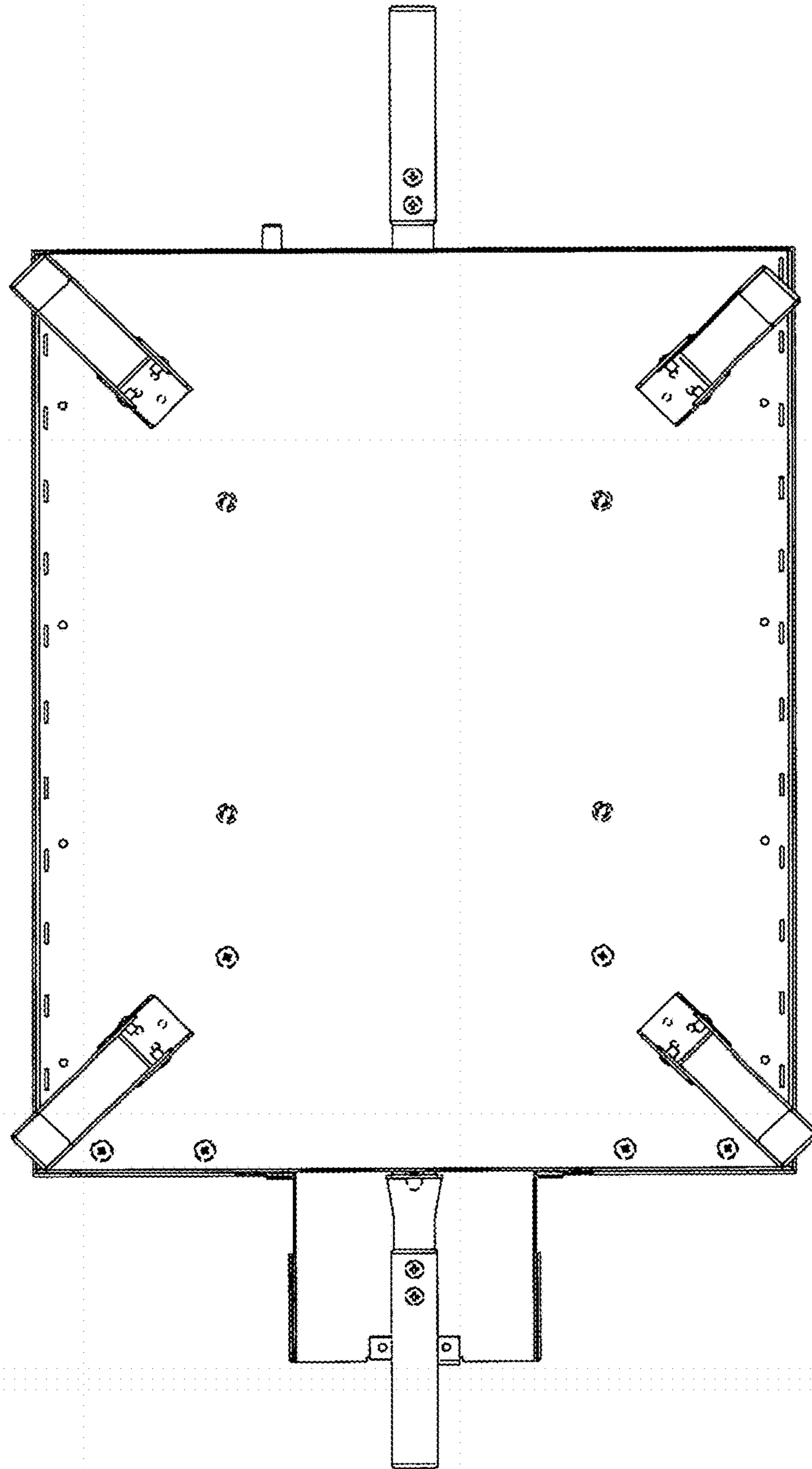


FIG. 7