



US00D845694S

(12) **United States Design Patent**
Liu

(10) **Patent No.:** **US D845,694 S**

(45) **Date of Patent:** **** Apr. 16, 2019**

(54) **BOTTLE**

(71) Applicant: **Free-Free Industrial Corp.**, Taipei (TW)

(72) Inventor: **Sheng-Yu Liu**, Taipei (TW)

(73) Assignee: **FREE-FREE INDUSTRIAL CORP.**, Taipei (TW)

(**) Term: **15 Years**

(21) Appl. No.: **29/606,952**

(22) Filed: **Jun. 8, 2017**

(51) **LOC (11) Cl.** **07-01**

(52) **U.S. Cl.**
USPC **D7/317; D9/534; D7/318**

(58) **Field of Classification Search**
USPC D9/434-436, 516, 530, 534, 537, 540,
D9/545, 715, 719; D7/393, 396.2, 510,
D7/533, 538, 598, 608, 317, 318
CPC A47G 19/12; A47G 19/14; A47J 31/0636
See application file for complete search history.

(56) **References Cited**

U.S. PATENT DOCUMENTS

D263,105 S *	2/1982	Okazaki	D7/319
D263,783 S *	4/1982	Okazaki	D7/317
D338,367 S *	8/1993	Fonville	D7/316
D393,175 S *	4/1998	Chang	D7/317
D394,981 S *	6/1998	Huang	D7/317
D413,480 S *	9/1999	Joergensen	D7/317
D497,775 S *	11/2004	Tung	D7/318
D512,262 S *	12/2005	Coppo	D7/317
D522,796 S *	6/2006	Teh-Hsiung	D7/317
7,172,101 B2 *	2/2007	Find	A47J 41/0005 220/230

D587,513 S *	3/2009	Bodum	D7/317
D587,514 S *	3/2009	Bodum	D7/317
D679,953 S *	4/2013	Peterson	D7/598
D684,805 S *	6/2013	Bjerre-Poulsen	D7/300.1
D692,271 S *	10/2013	Ludeman	D7/393
D697,173 S *	1/2014	Bradford	D23/209
D730,675 S *	6/2015	Williams	D7/317
D787,875 S *	5/2017	Melzer	D7/317

* cited by examiner

Primary Examiner — Ian Simmons

Assistant Examiner — Keith Frank

(74) *Attorney, Agent, or Firm* — DLA Piper LLP (US)

(57) **CLAIM**

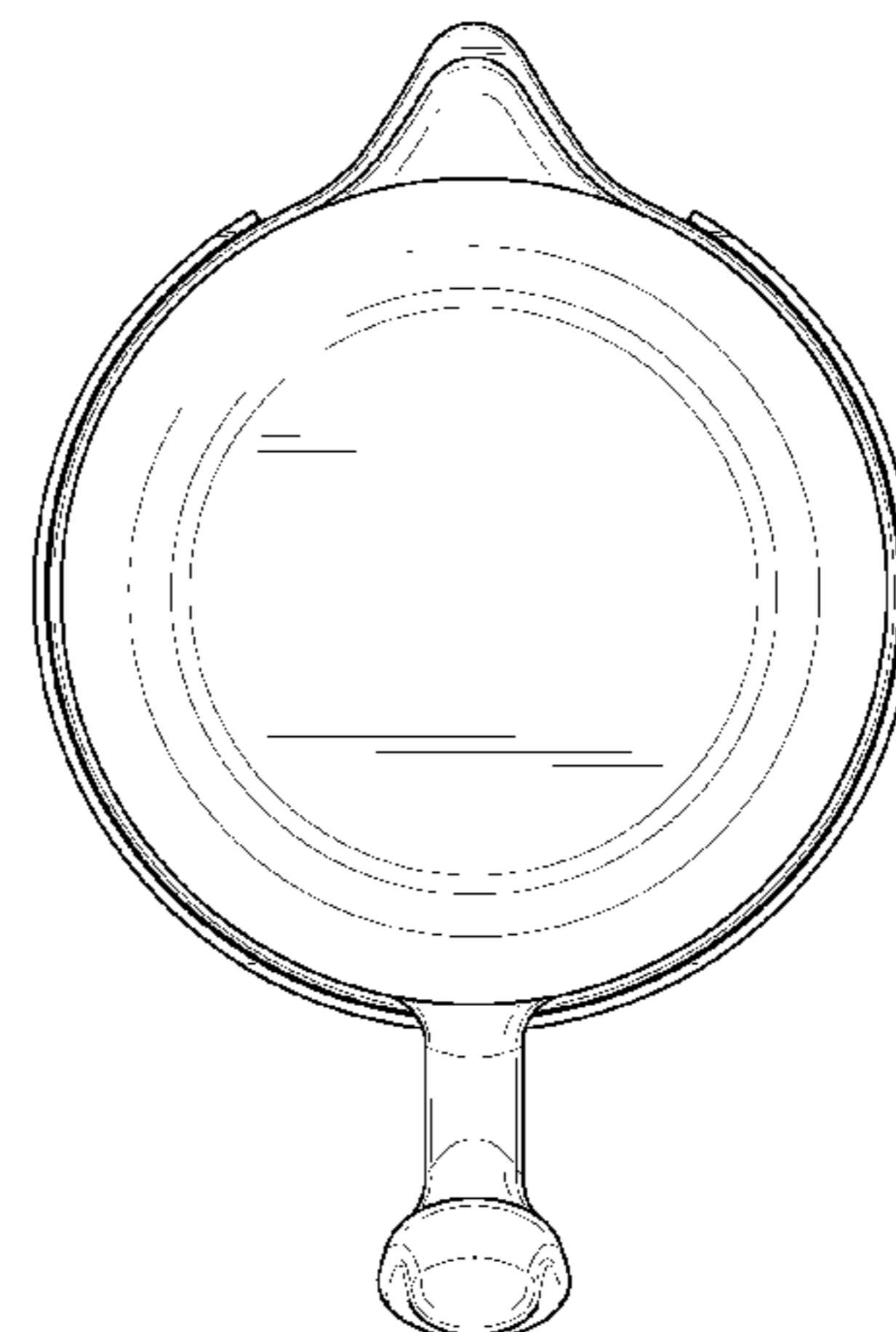
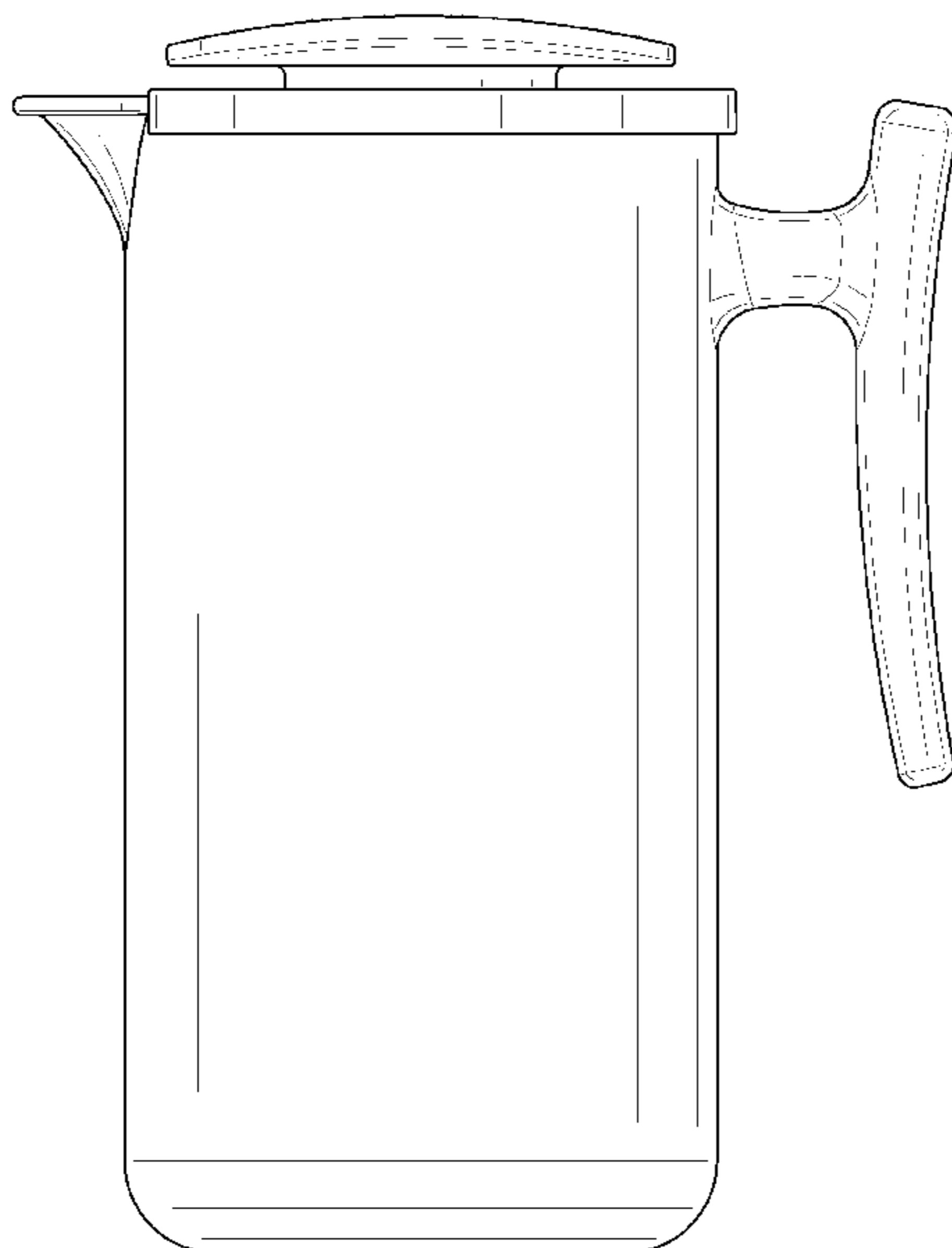
The ornamental design for a bottle, as shown and described.

DESCRIPTION

FIG. 1 is a perspective view of a first design of a bottle;
FIG. 2 is a front elevational view thereof;
FIG. 3 is a rear elevational view thereof;
FIG. 4 is a left side elevational view thereof;
FIG. 5 is a right side elevational view thereof;
FIG. 6 is a top plan view thereof;
FIG. 7 is a bottom plan view thereof;
FIG. 8 is a perspective view of a second design of the bottle;
FIG. 9 is a front elevational view thereof;
FIG. 10 is a rear elevational view thereof;
FIG. 11 is a left side elevational view thereof;
FIG. 12 is a right side elevational view thereof;
FIG. 13 is a top plan view thereof; and,
FIG. 14 is a bottom plan view thereof.

The broken lines depict portions of a bottle in which the design is embodied that form no part of the claimed design.

1 Claim, 14 Drawing Sheets



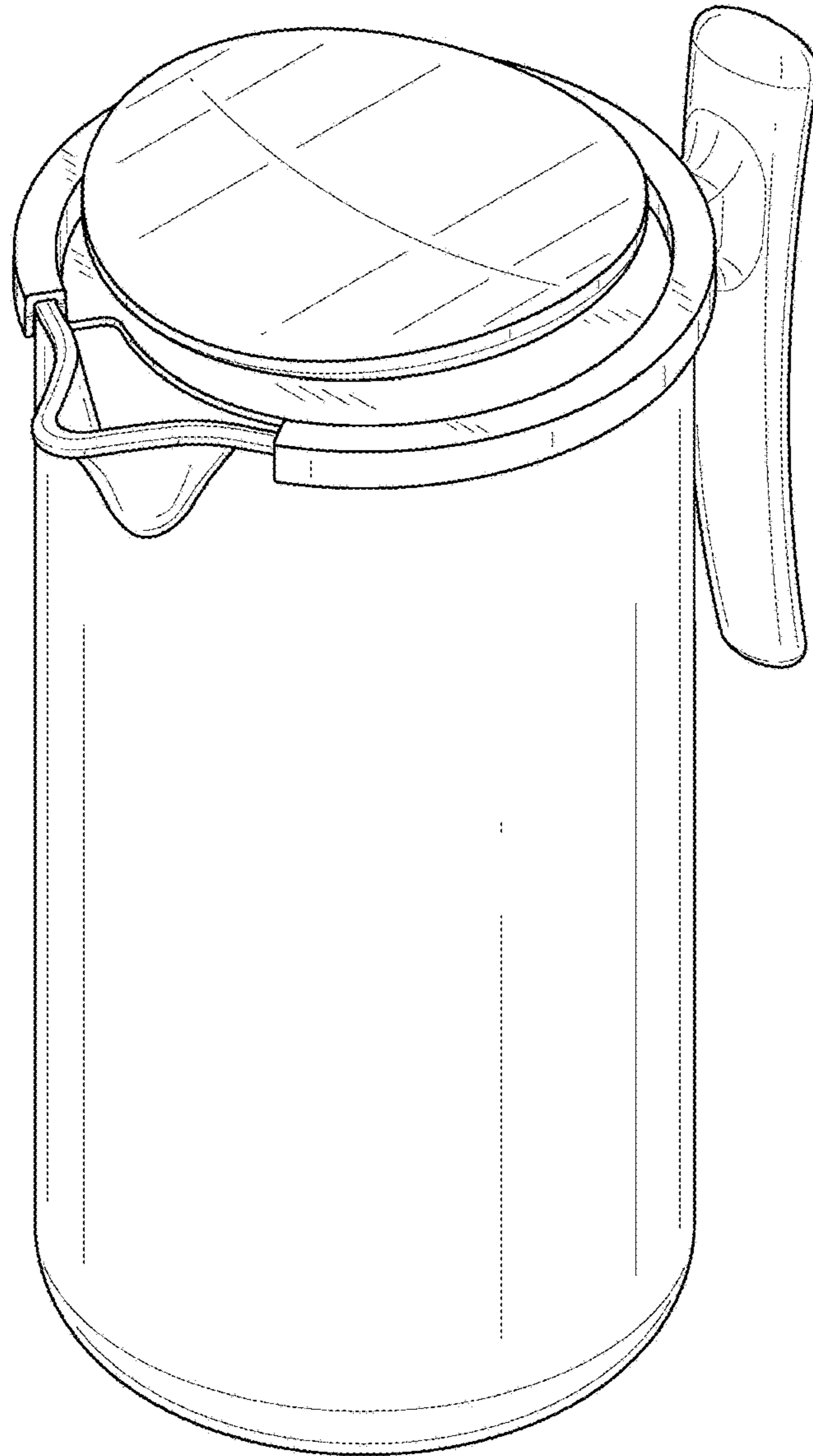


FIG.1

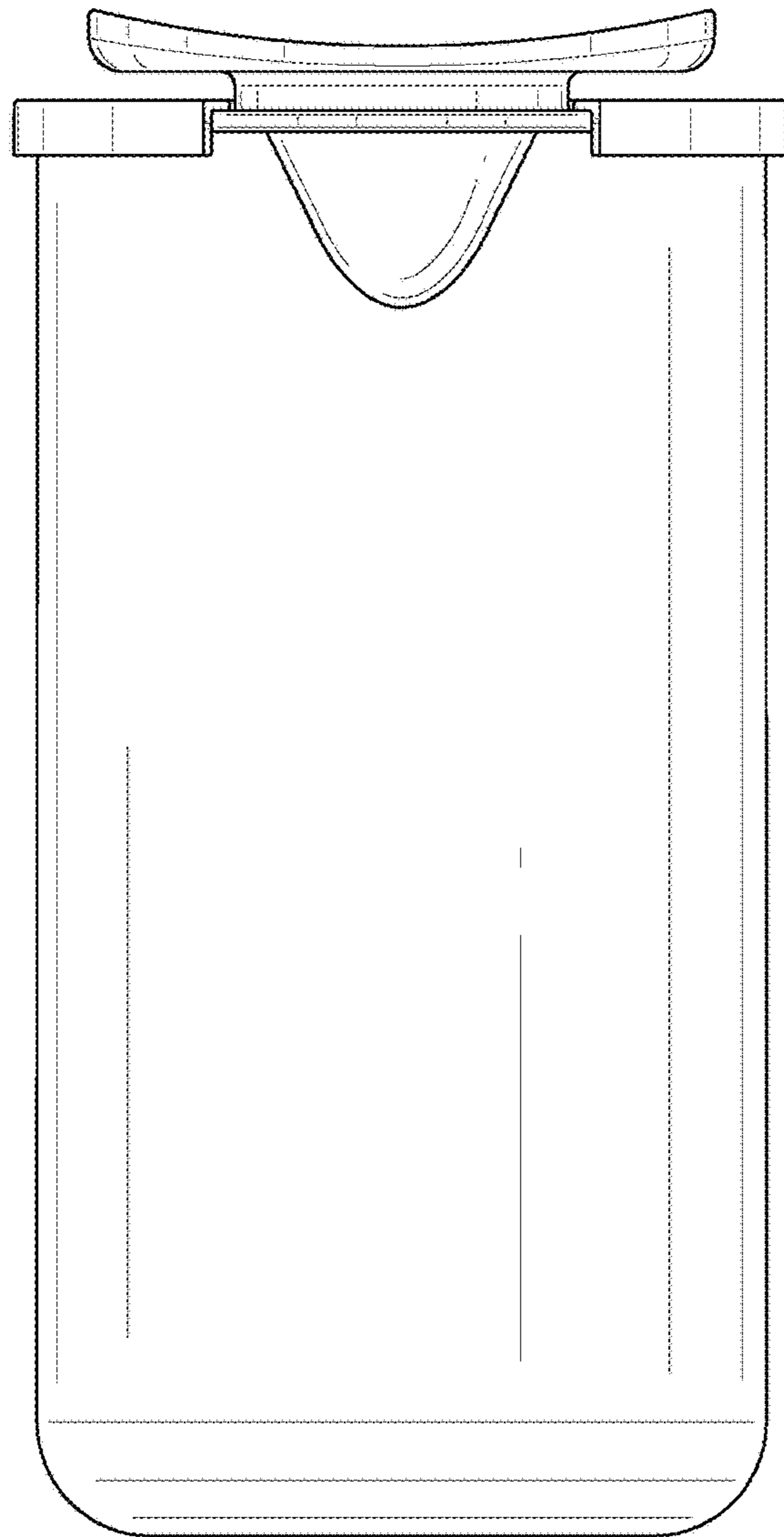


FIG.2

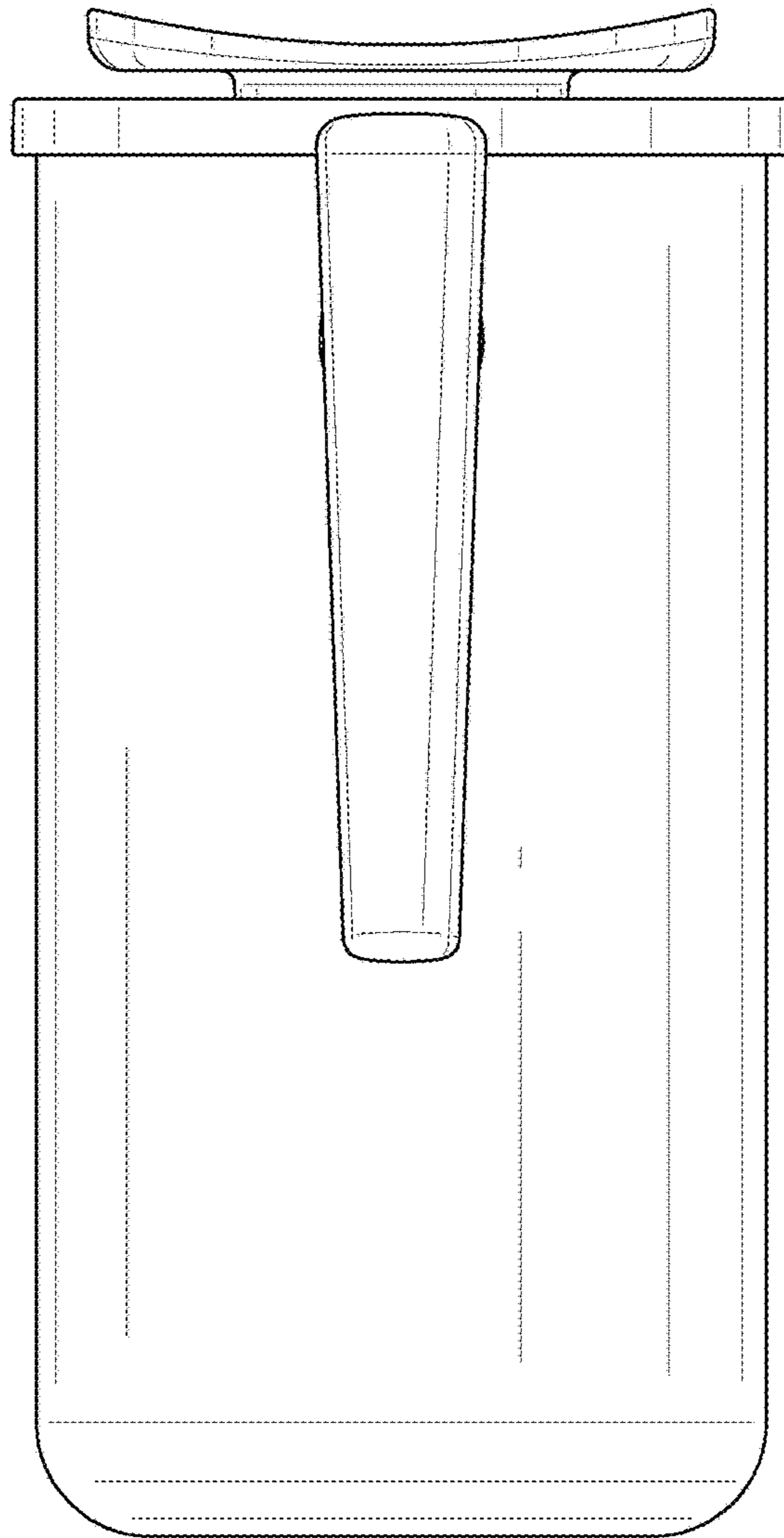


FIG.3

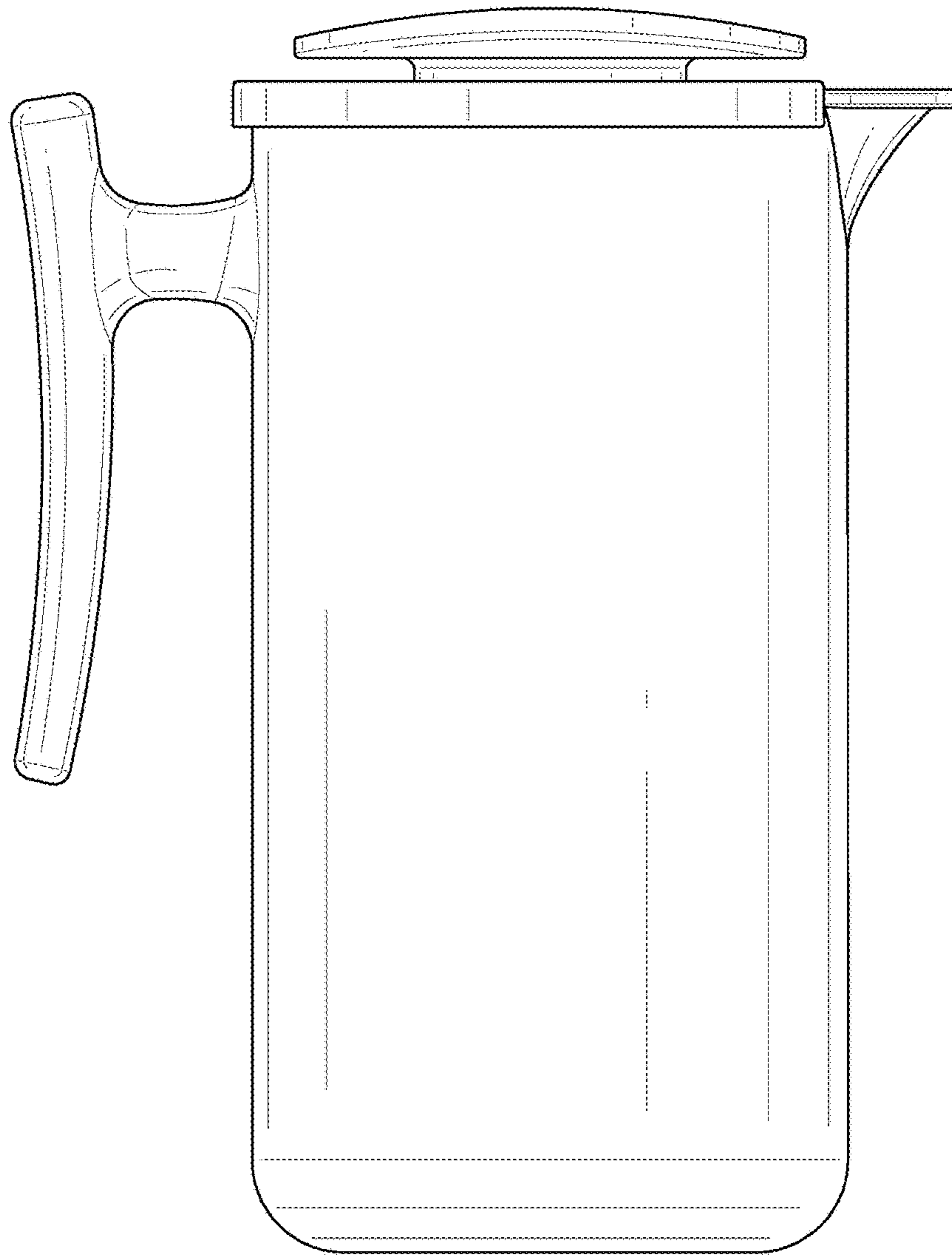


FIG.4

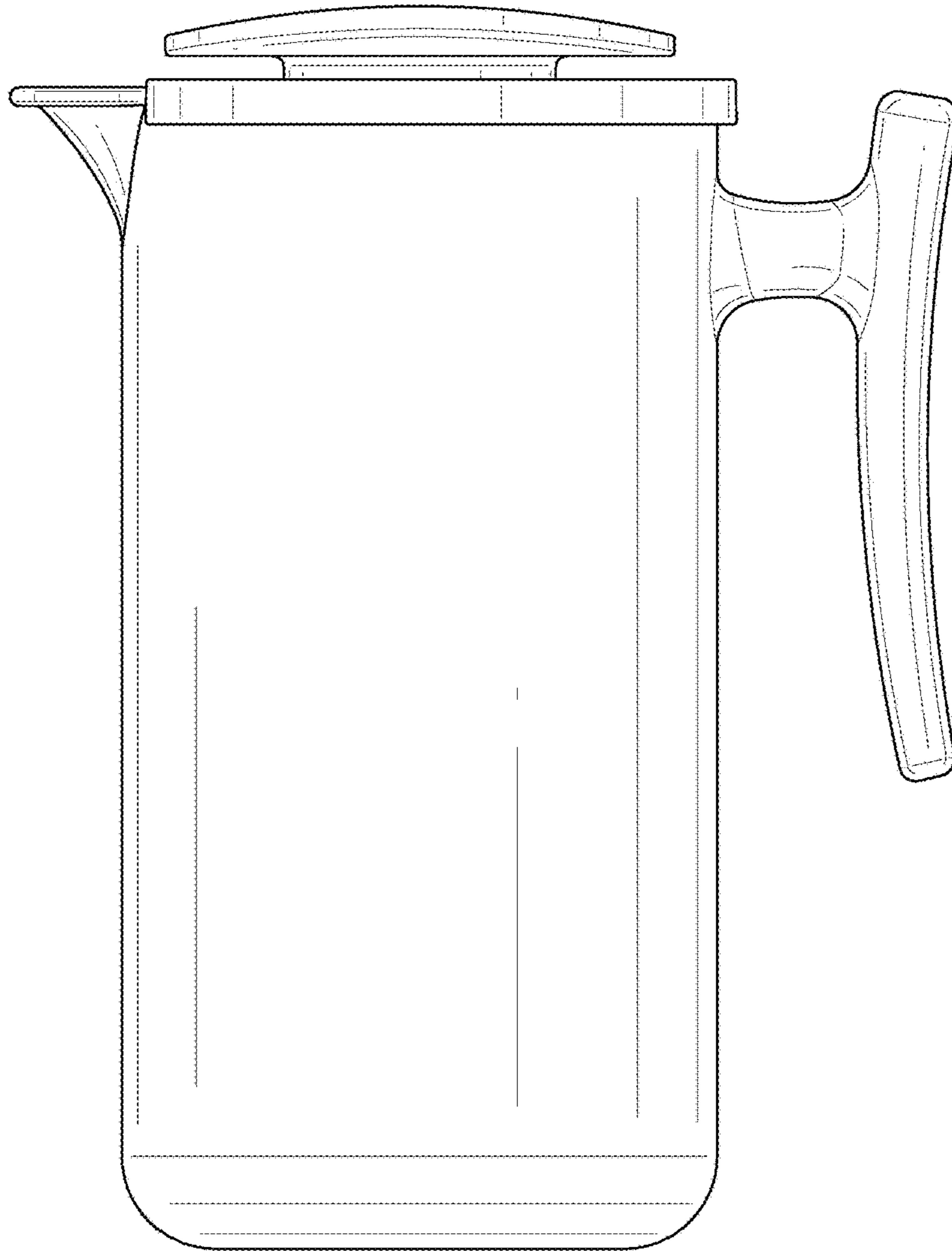


FIG.5

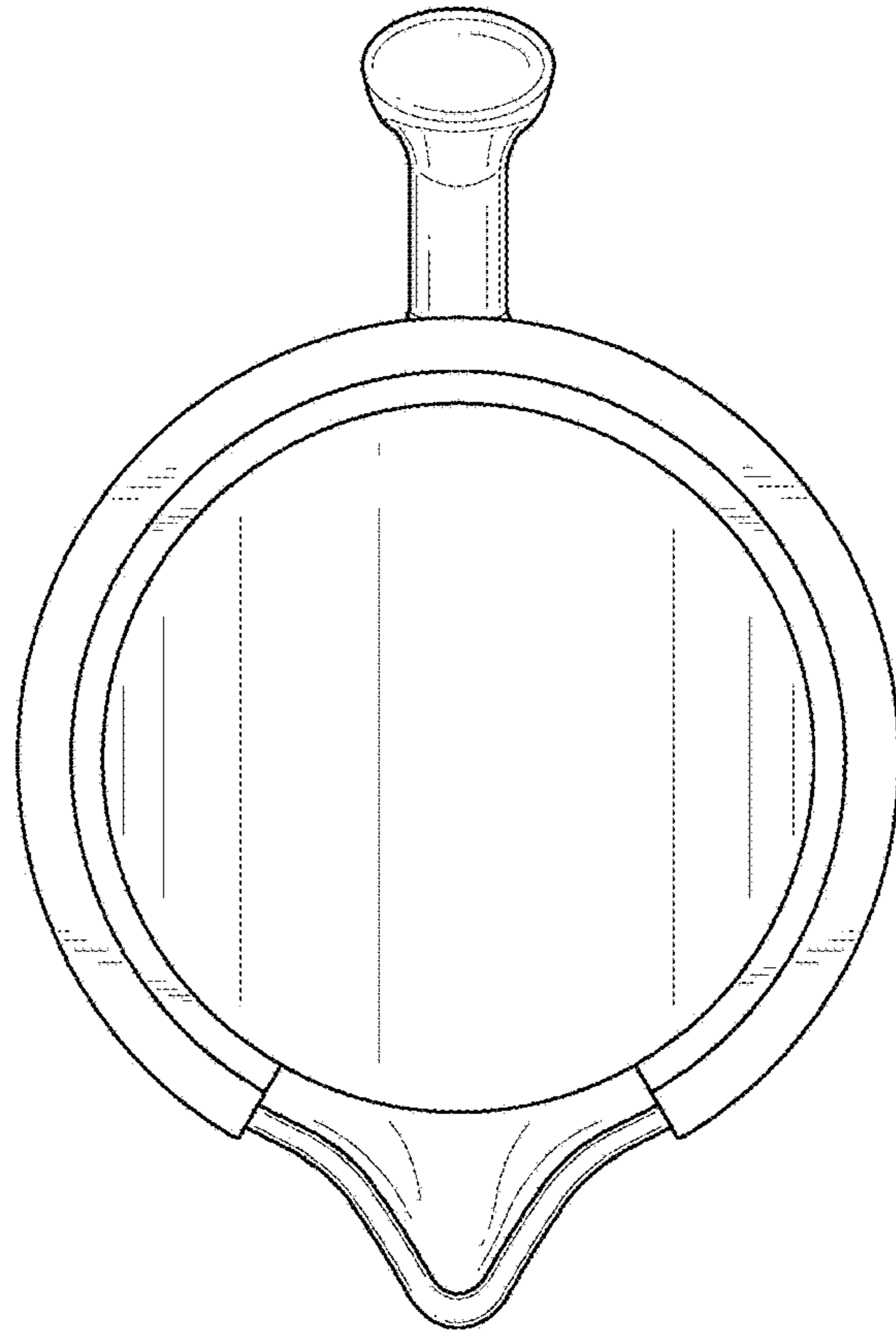


FIG.6

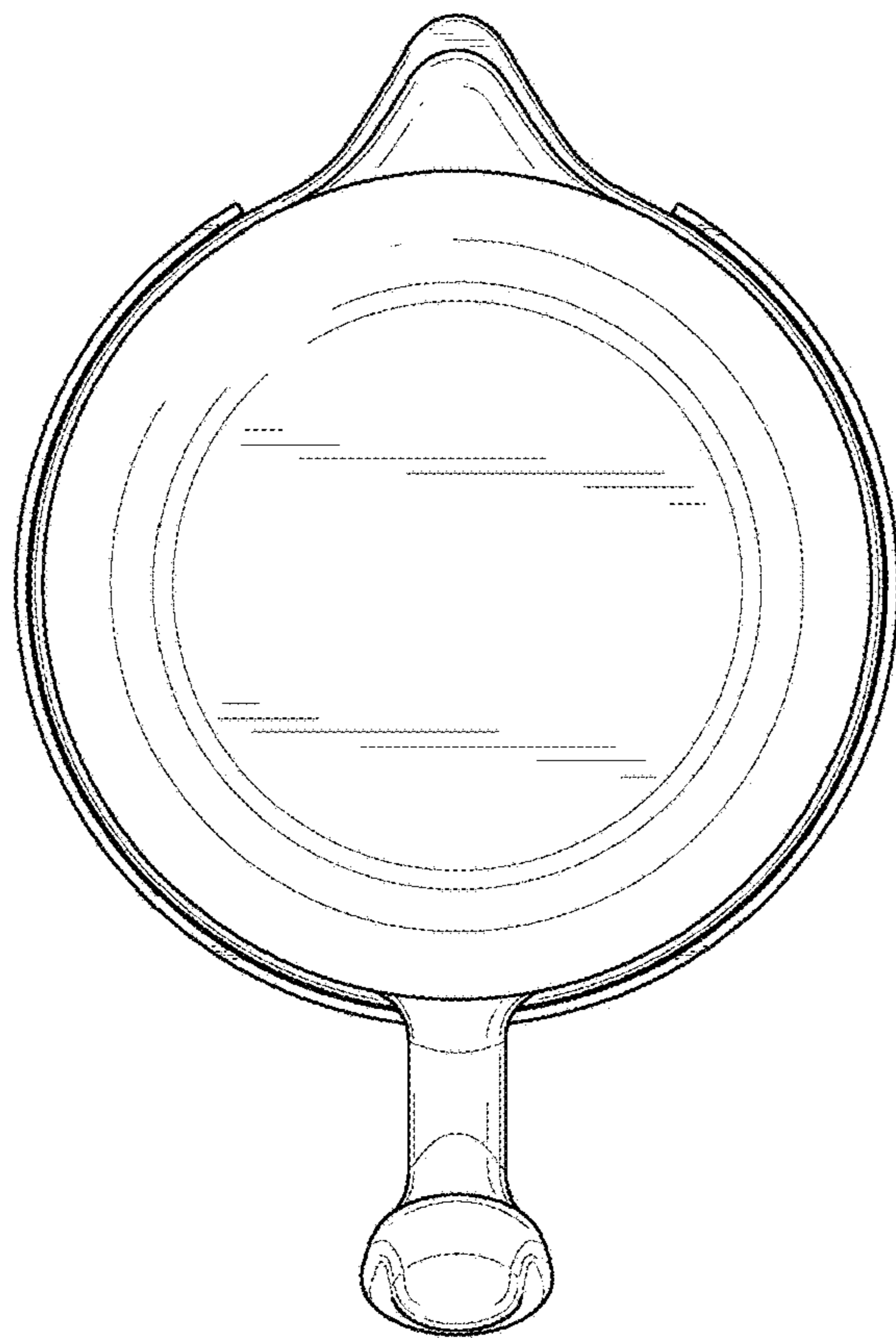


FIG. 7

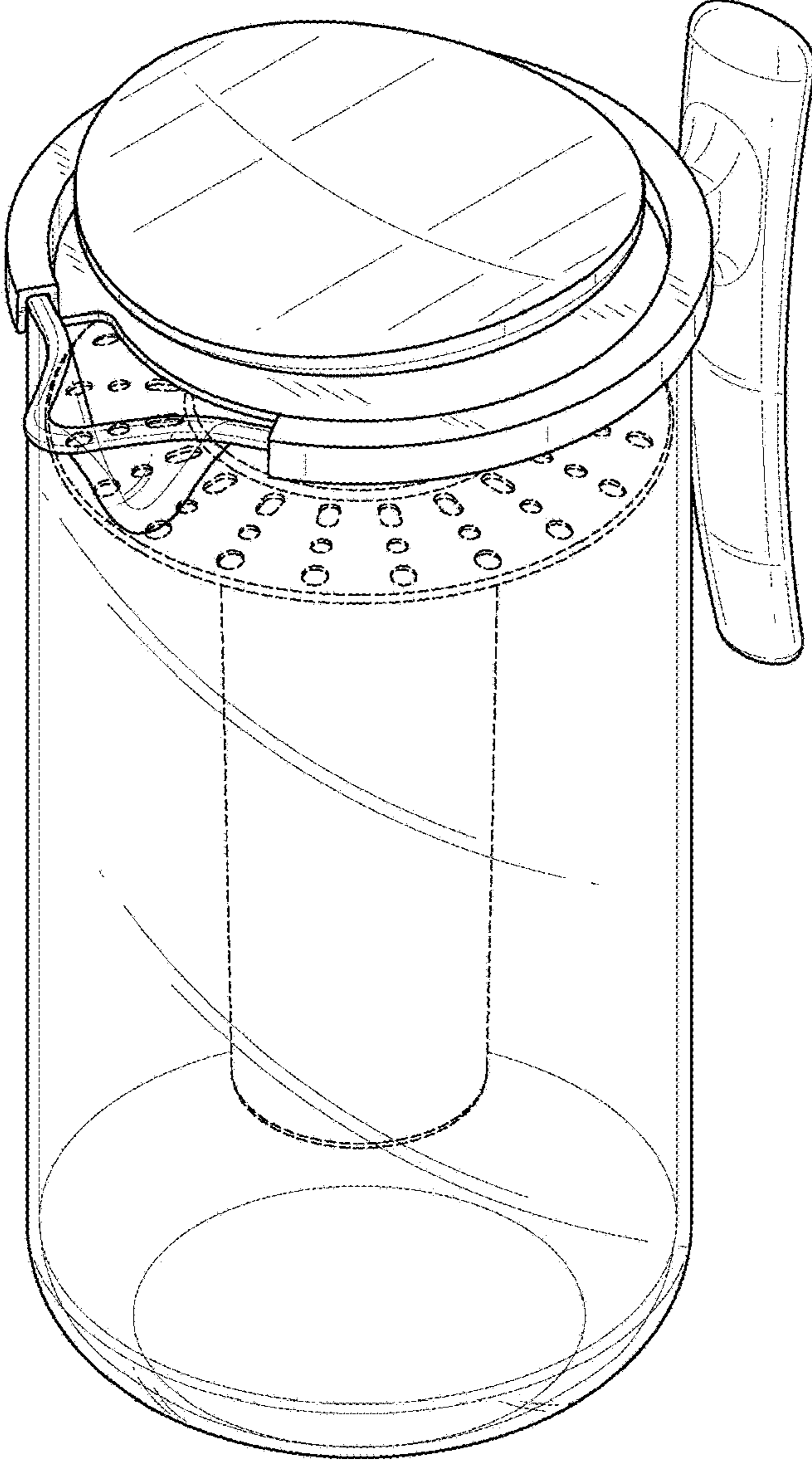


FIG.8

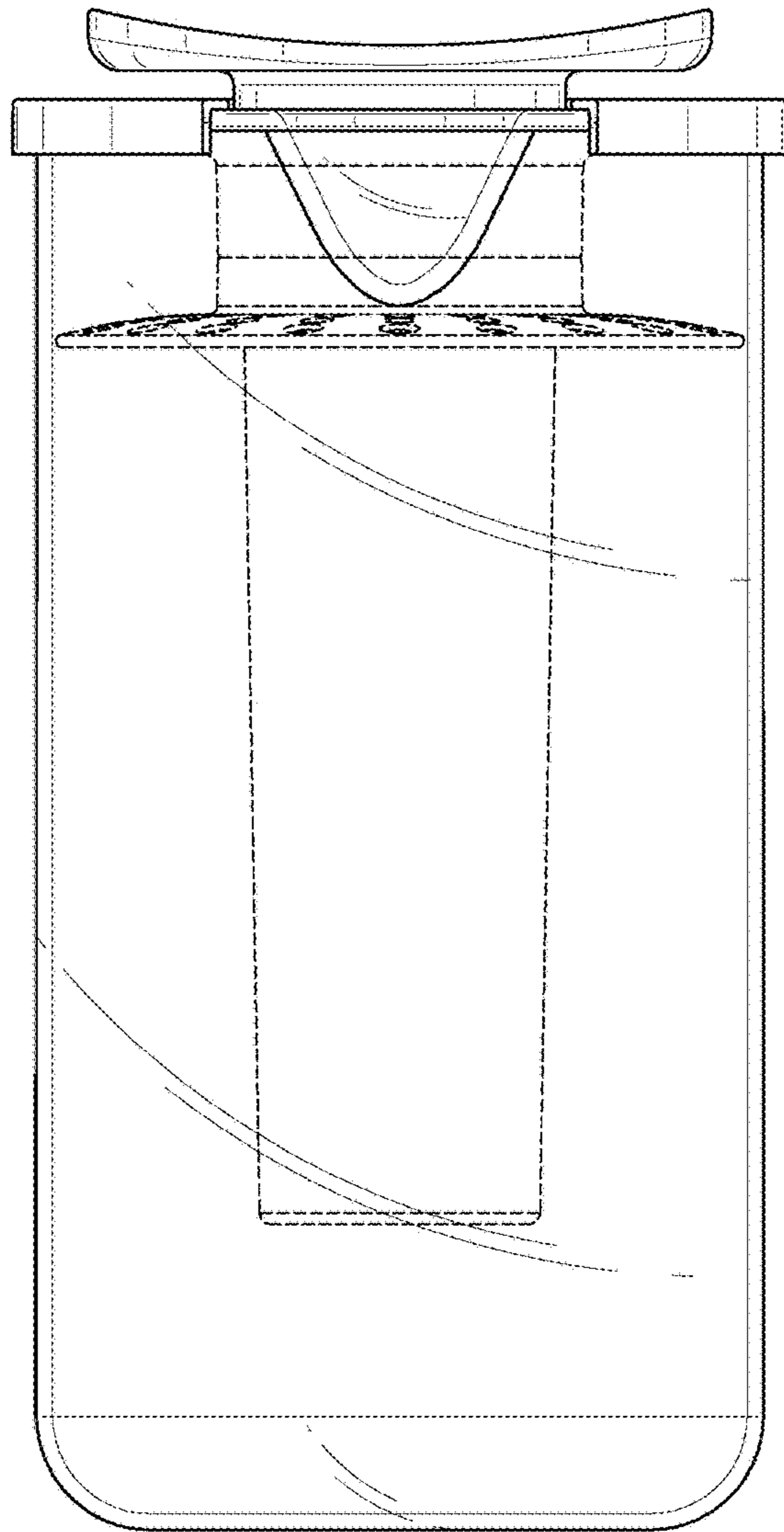


FIG.9

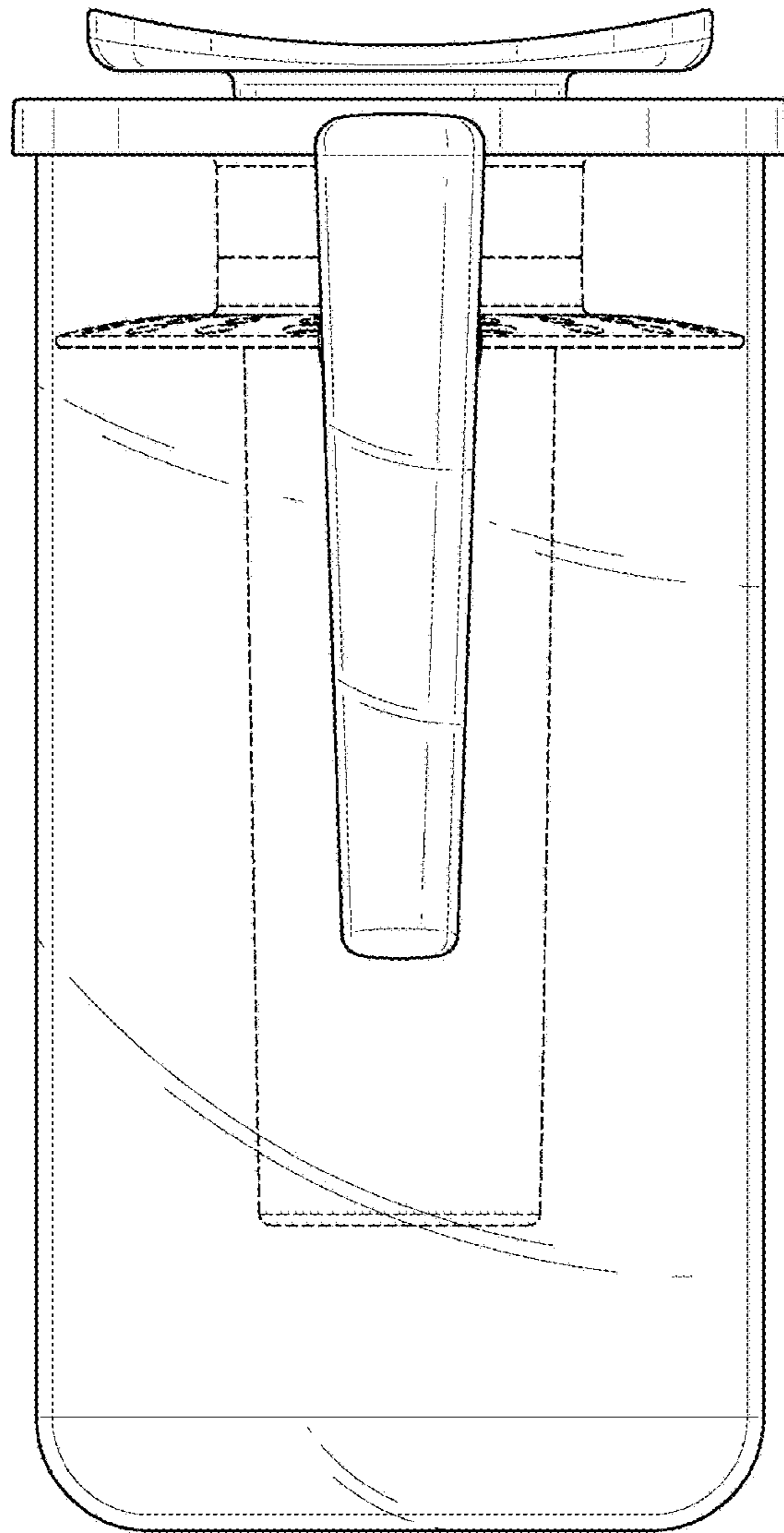


FIG.10

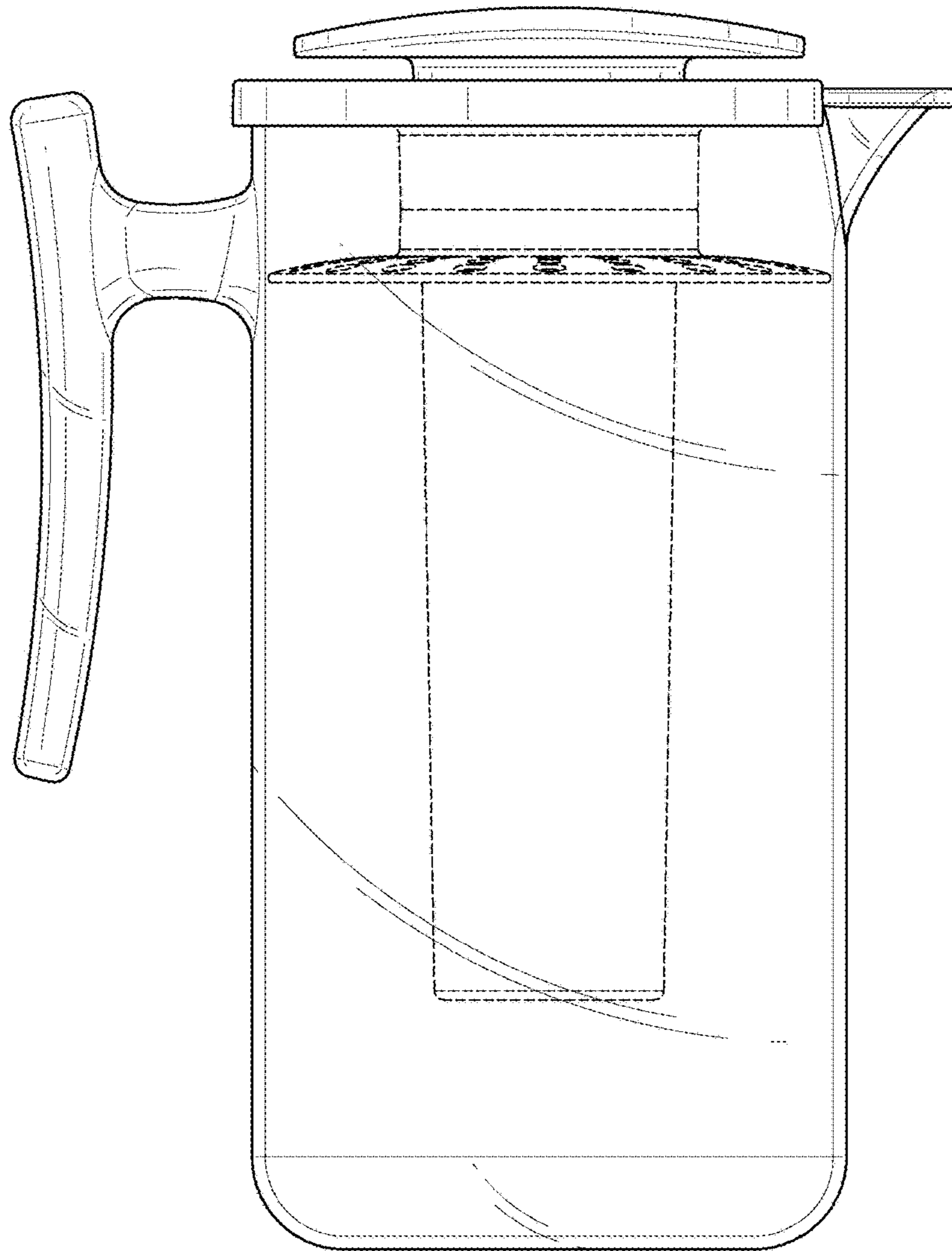


FIG.11

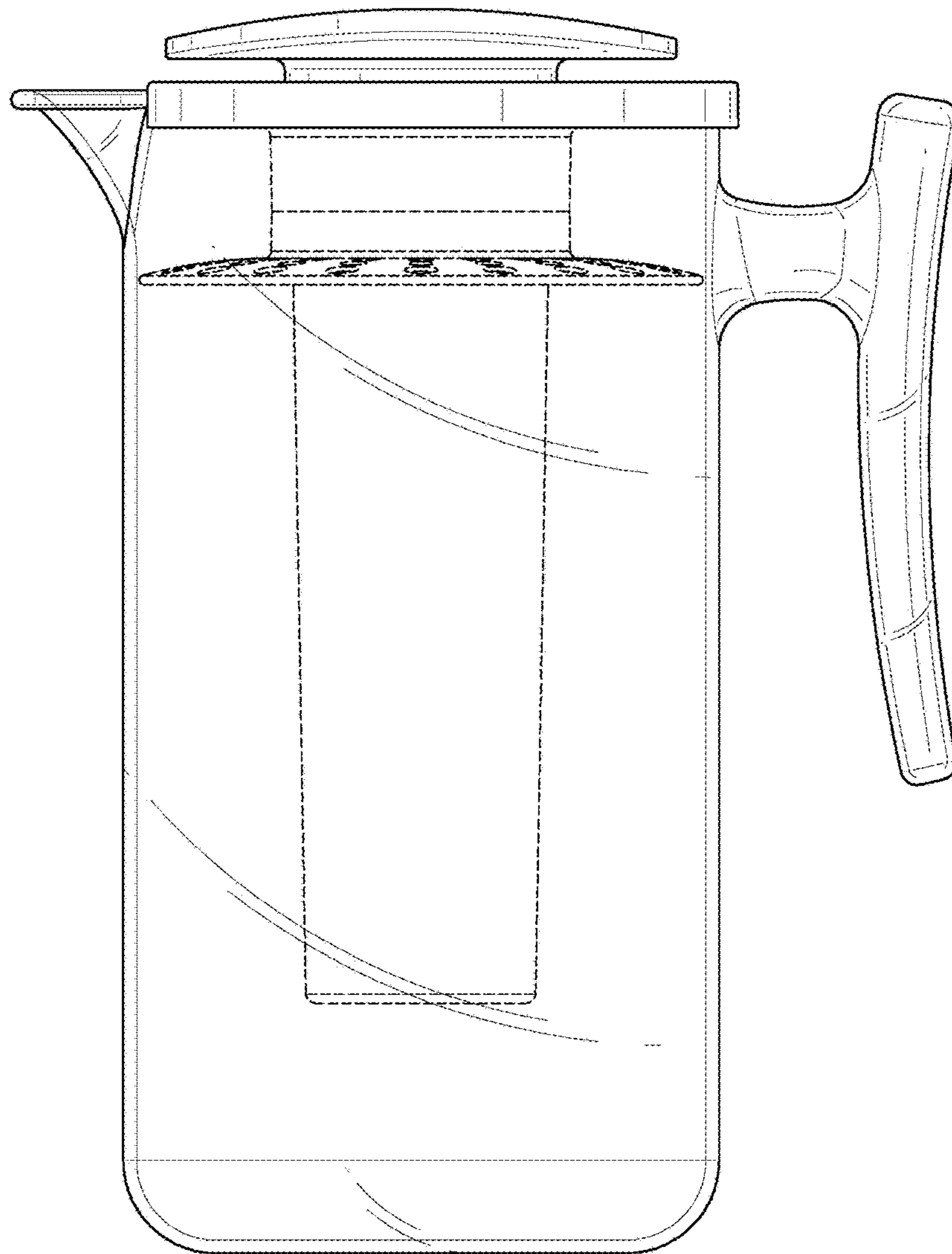


FIG.12

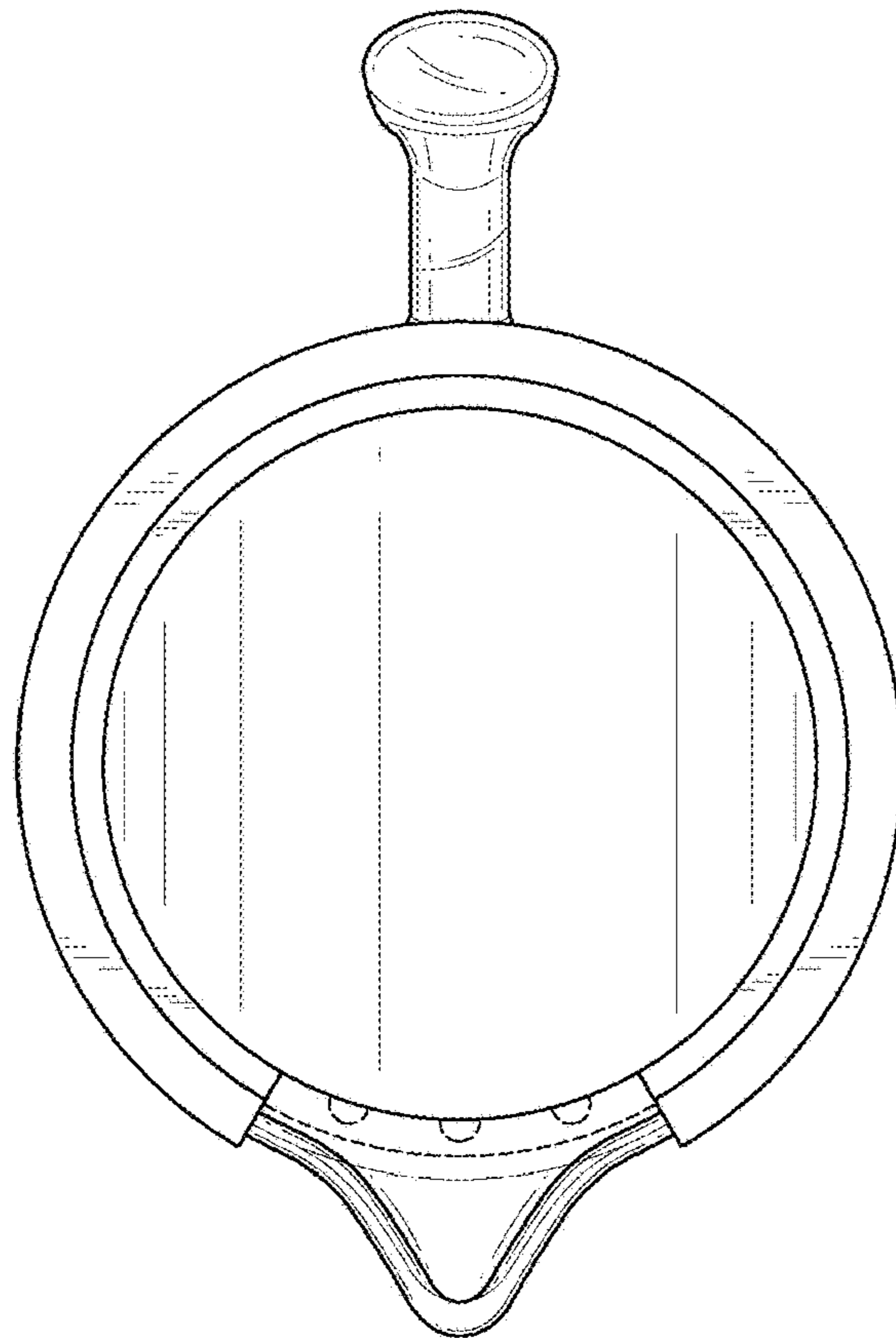


FIG. 13

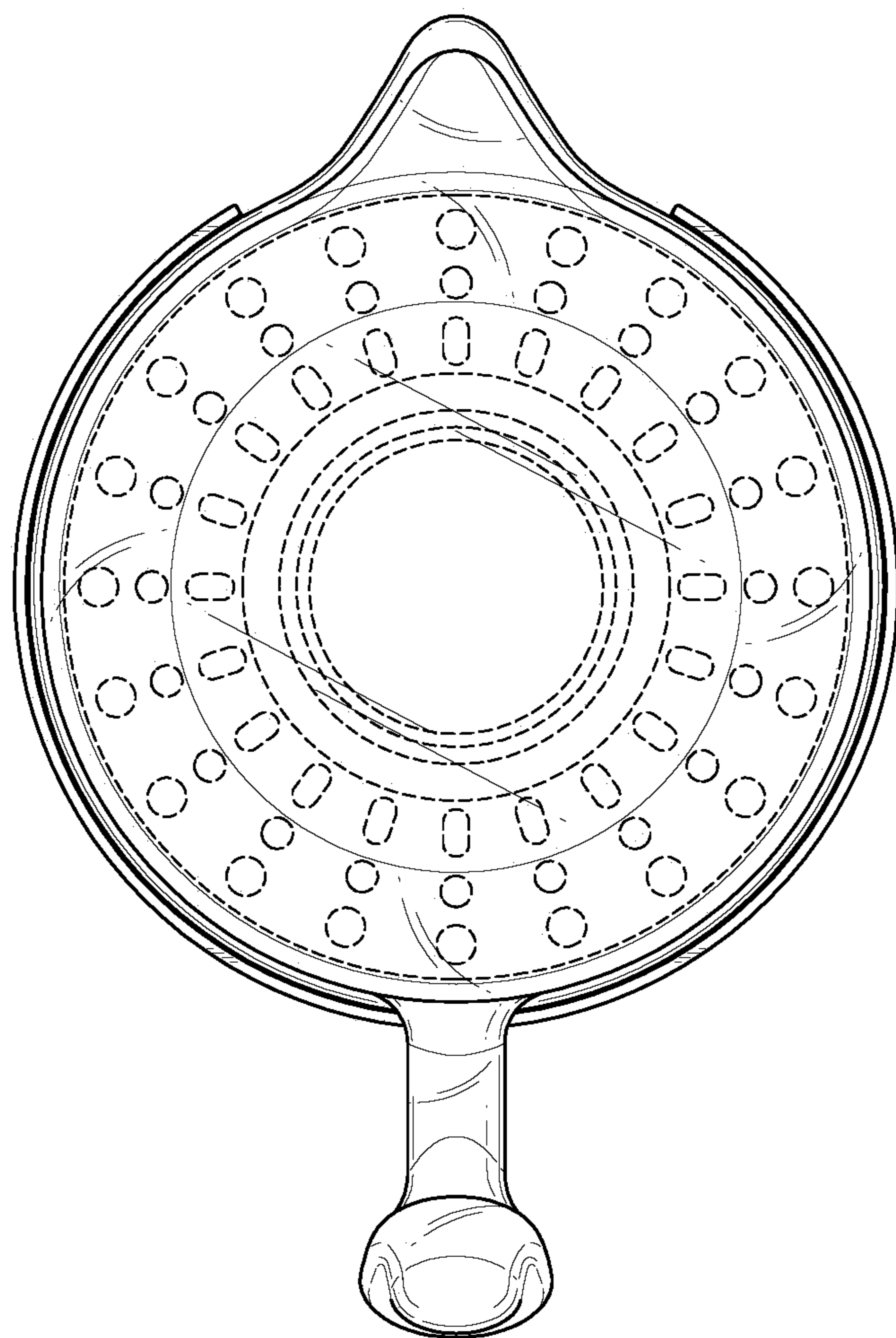


FIG. 14