



US00D845693S

(12) **United States Design Patent**
Rummel et al.

(10) **Patent No.:** **US D845,693 S**

(45) **Date of Patent:** **** Apr. 16, 2019**

(54) **WATER FILTER CONTAINER WITH A
FILTER DISK**

(71) Applicant: **BRITA GMBH**, Taunusstein (DE)

(72) Inventors: **Christian Rummel**, Benningen (DE);
Tim Storti, Schwieberdingen (DE)

(73) Assignee: **BRITA GMBH**, Taunusstein (DE)

(**) Term: **15 Years**

(21) Appl. No.: **29/602,628**

(22) Filed: **May 2, 2017**

(30) **Foreign Application Priority Data**

Nov. 3, 2016 (EM) 003 445 733

(51) **LOC (11) Cl.** **07-01**

(52) **U.S. Cl.**
USPC **D7/306; D23/209; D7/605**

(58) **Field of Classification Search**

USPC D7/300, 309-311, 306-308, 305, 355,
D7/362, 365, 367, 397, 398, 209, 605;
222/146.6, 185.1, 135; 99/295, 273, 304,
99/288, 279, 307, 283; D23/209
CPC A47J 31/407; A47J 31/50; A47J 31/18;
A47J 31/00; A47J 27/04; A47J 31/0573;
A47J 31/52; A47J 31/0642; A47J
31/3628; A47J 31/4407

See application file for complete search history.

(56) **References Cited**

U.S. PATENT DOCUMENTS

4,162,029 A * 7/1979 Gottsegen A47J 41/0072
220/23.83
D259,232 S * 5/1981 Tarozzi D7/313
D259,320 S * 5/1981 Tarozzi D7/313
D309,396 S * 7/1990 Lundblade D7/313
D349,417 S * 8/1994 Malmborg D7/300
D366,387 S * 1/1996 Malmborg D7/312

D389,002 S * 1/1998 Demore D7/300
D400,391 S * 11/1998 Hulley D7/313
D403,917 S * 1/1999 Le D7/301
D415,383 S * 10/1999 Le D7/306
D677,101 S * 3/2013 Mullins D7/306
D713,193 S * 9/2014 English D7/306

(Continued)

FOREIGN PATENT DOCUMENTS

CN 302021884 S 8/2012
JP 1384352 S 3/2010
TW 161924 S 7/2014

Primary Examiner — Marianne N Pandozzi

(74) *Attorney, Agent, or Firm* — Hudak, Shunk & Farine
Co. LPA

(57) **CLAIM**

The ornamental design for a water filter container with a
filter disk, as shown and described.

DESCRIPTION

FIG. 1 is a slightly downward looking front right perspective
view of a first embodiment of a water filter container with a
filter disk, with grooves;

FIG. 2 is a top view thereof;

FIG. 3 is a bottom view thereof;

FIG. 4 is a right side view thereof;

FIG. 5 is a left side view thereof;

FIG. 6 is a front view thereof;

FIG. 7 is a rear view thereof;

FIG. 8 is a slightly downward looking front right perspective
view of a third embodiment of a water filter container
without a filter disk, without grooves;

FIG. 9 is a top view thereof;

FIG. 10 is a bottom view thereof;

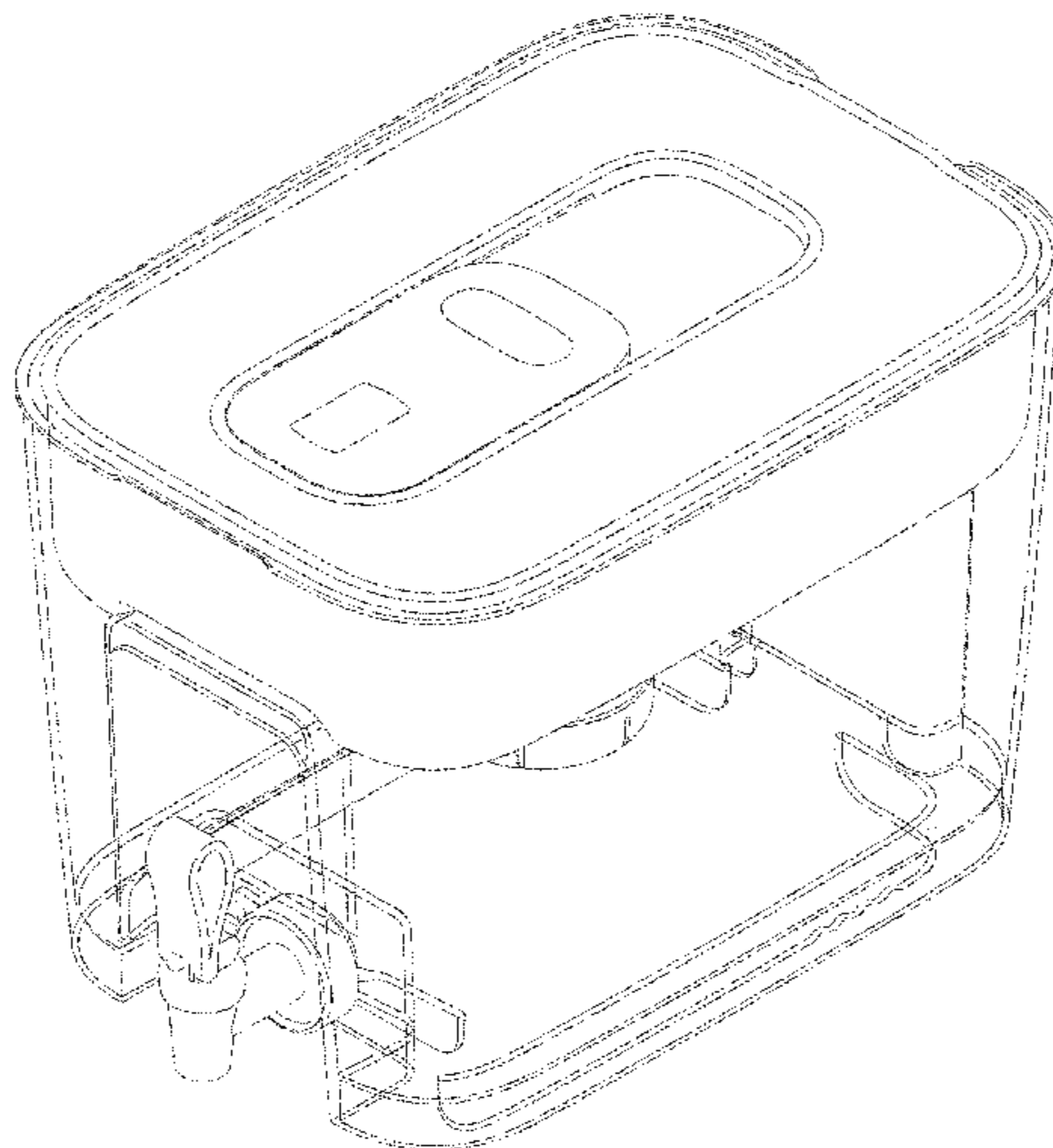
FIG. 11 is a right side view thereof;

FIG. 12 is a left side view thereof;

FIG. 13 is a front view thereof; and,

FIG. 14 is a rear view thereof.

1 Claim, 14 Drawing Sheets



(56)

References Cited

U.S. PATENT DOCUMENTS

D742,156 S	*	11/2015	Harris	D7/306
D757,477 S	*	5/2016	Wang	D7/306
D825,245 S	*	8/2018	McConnell	D7/313

* cited by examiner

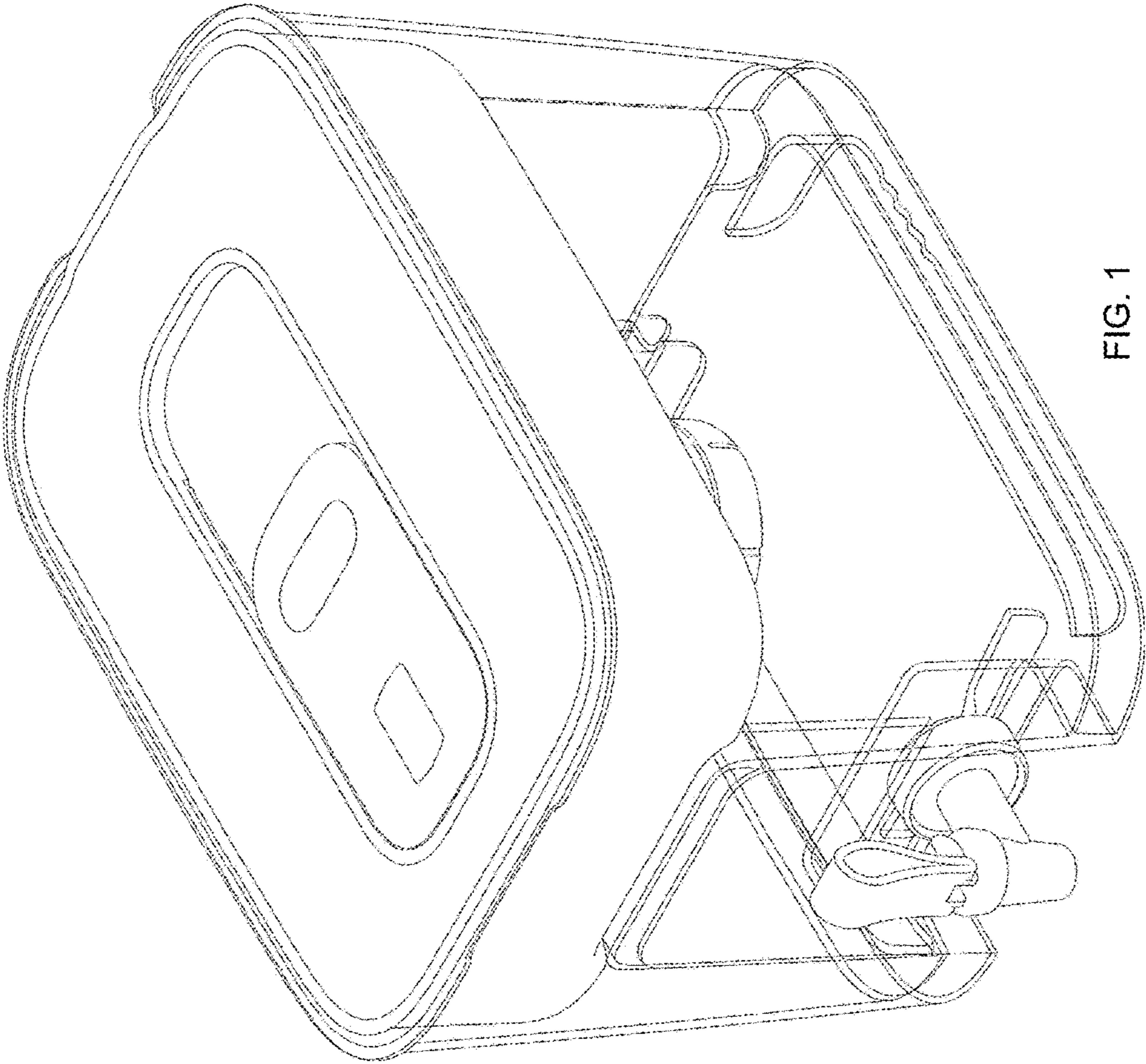


FIG. 1

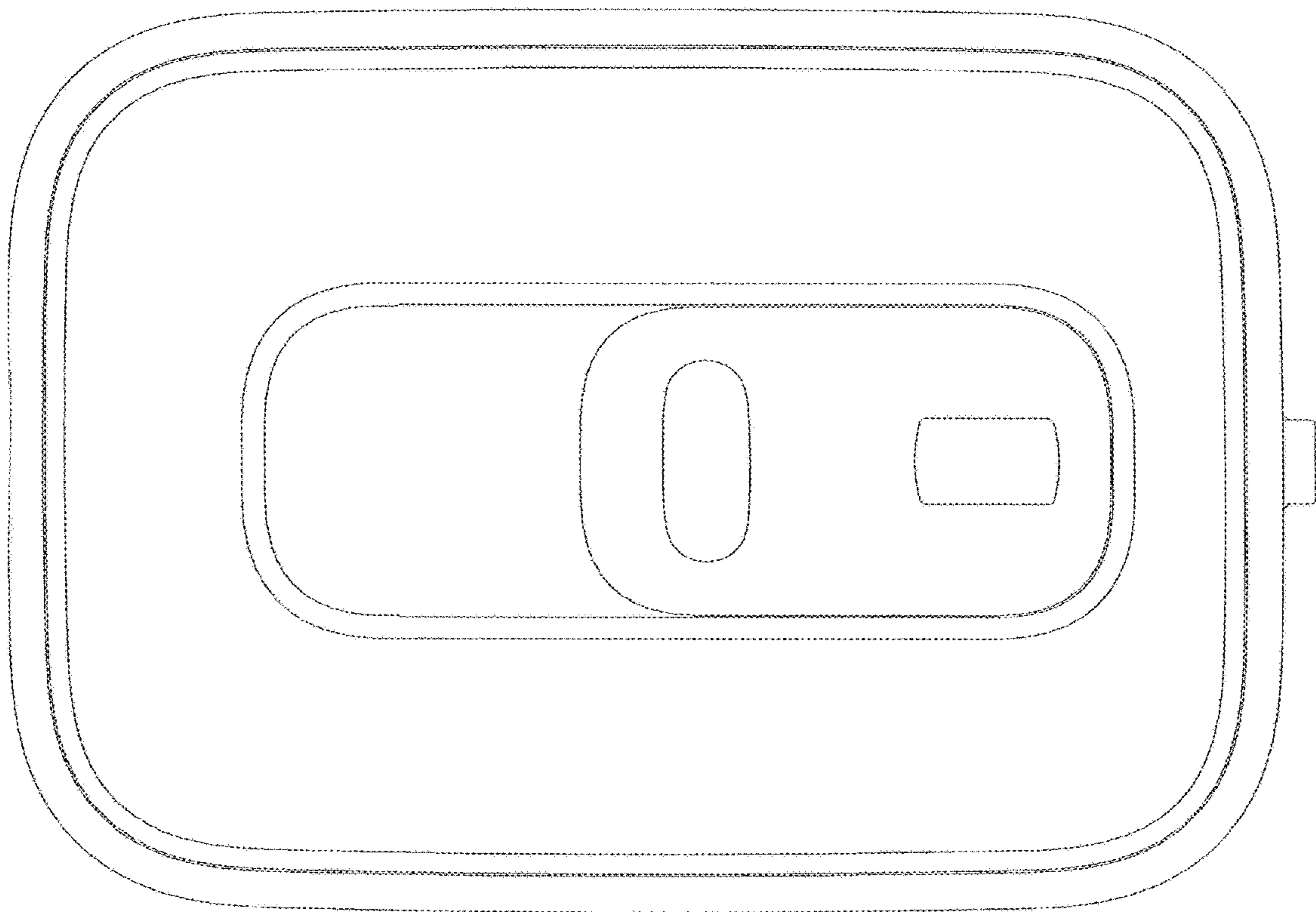


FIG. 2

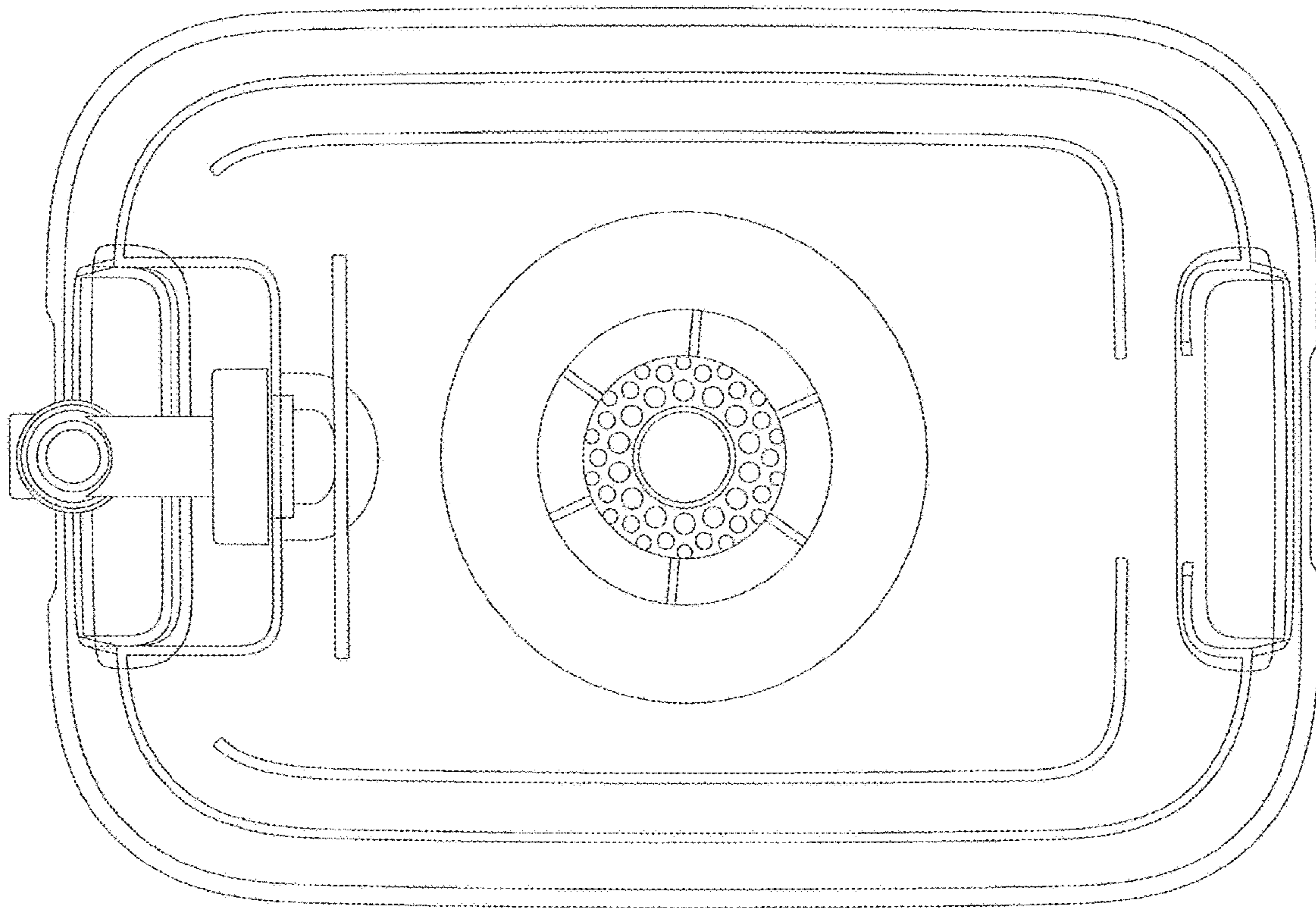


FIG. 3

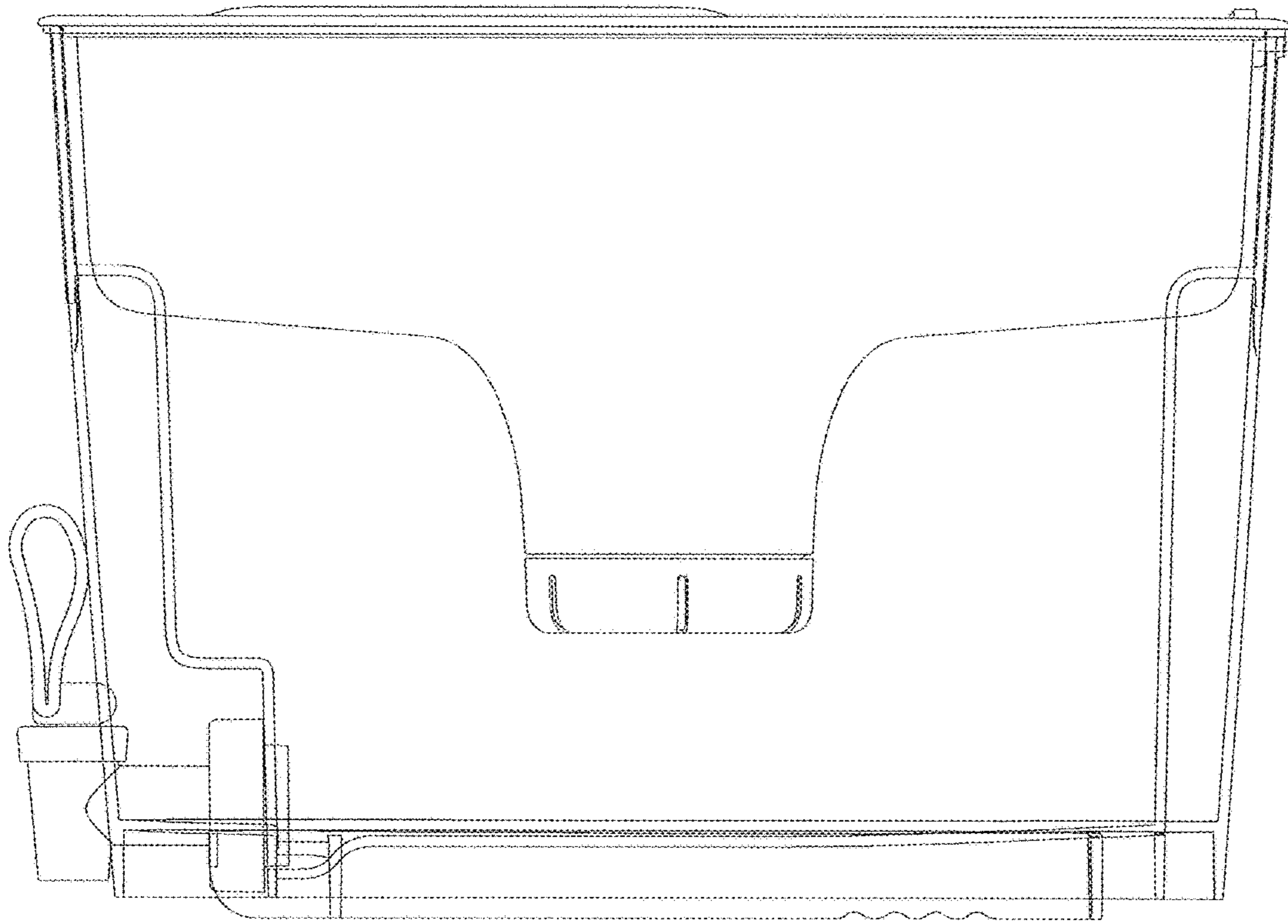


FIG. 4

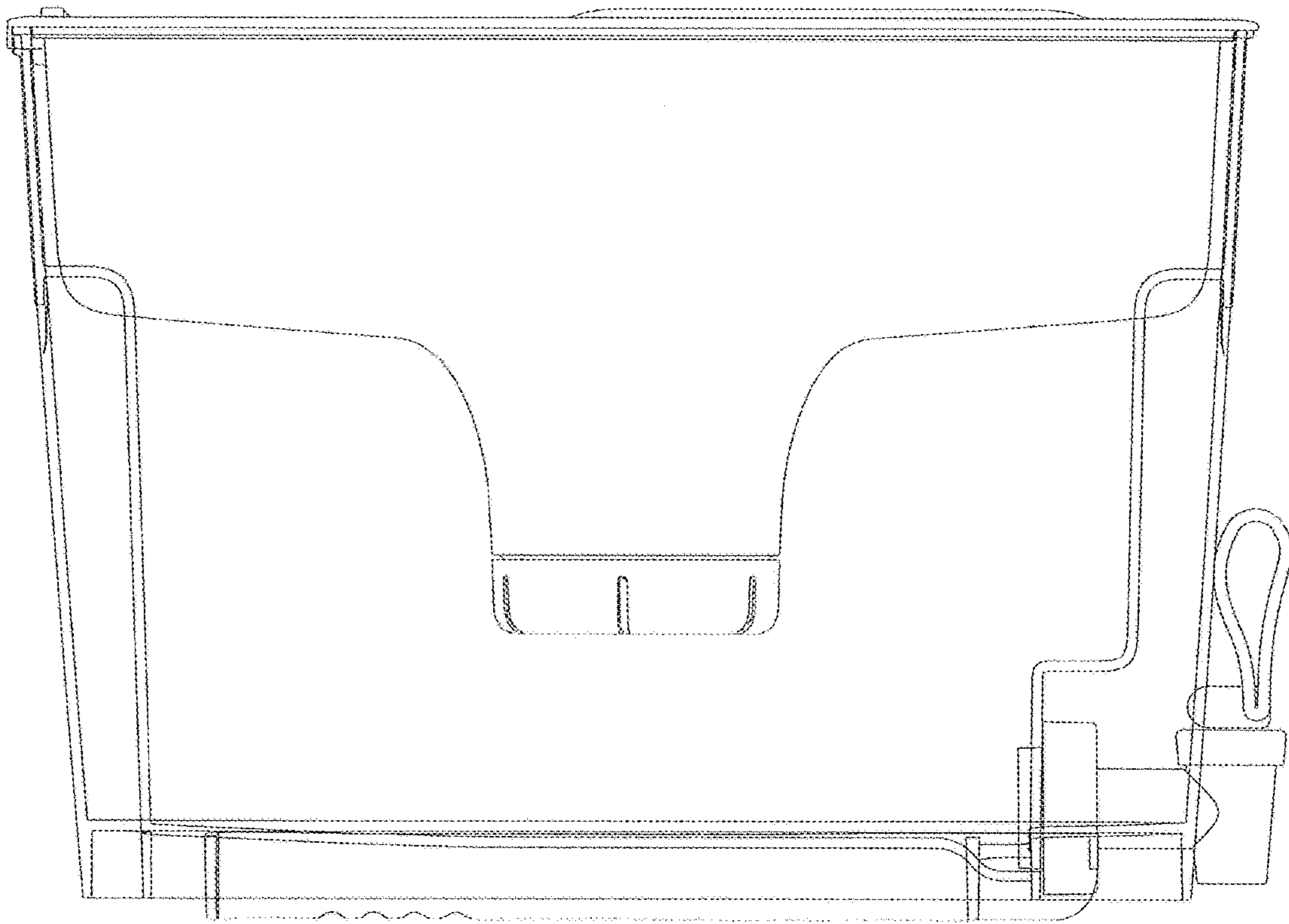


FIG. 5

FIG. 6

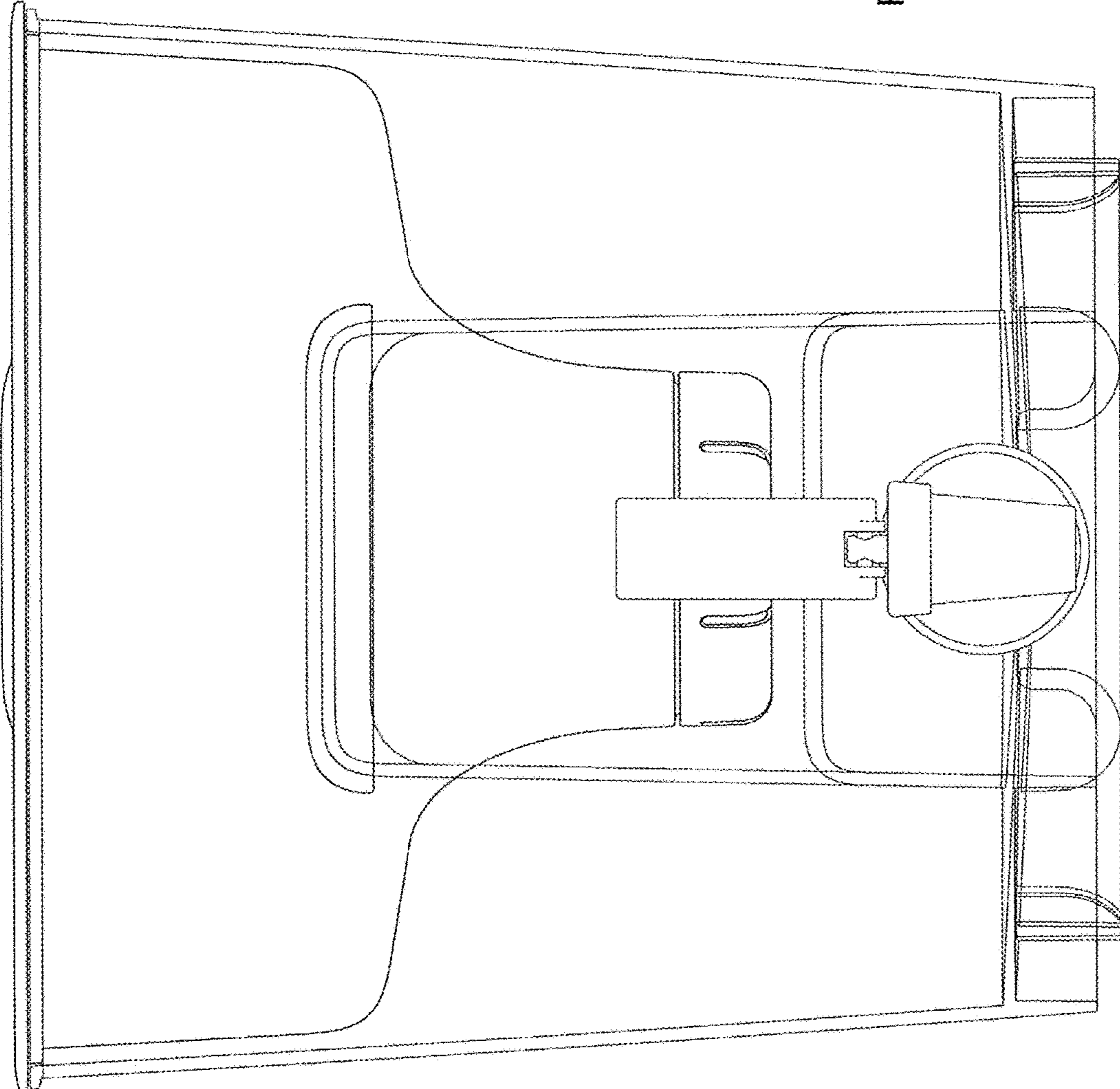
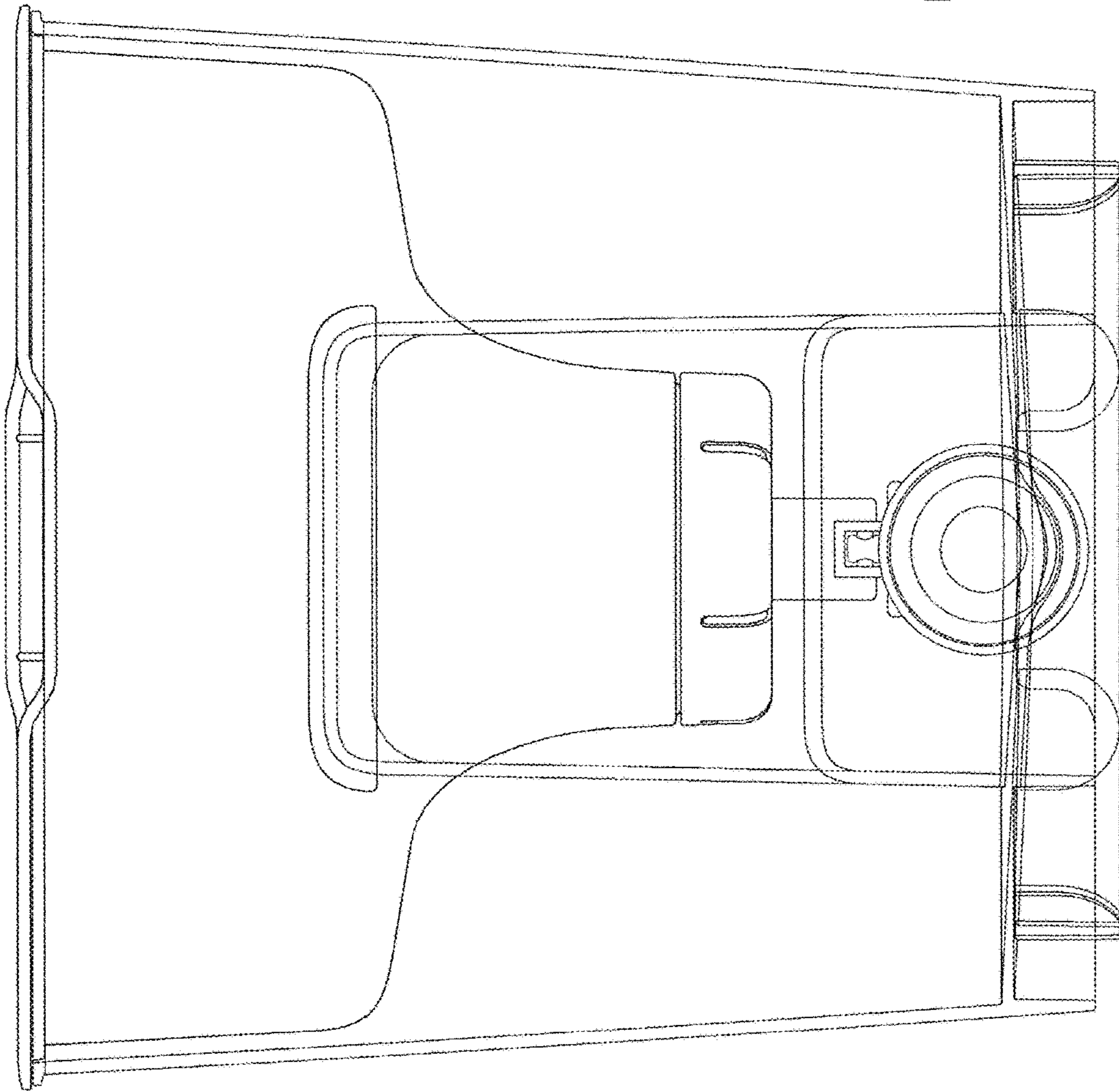


FIG. 7



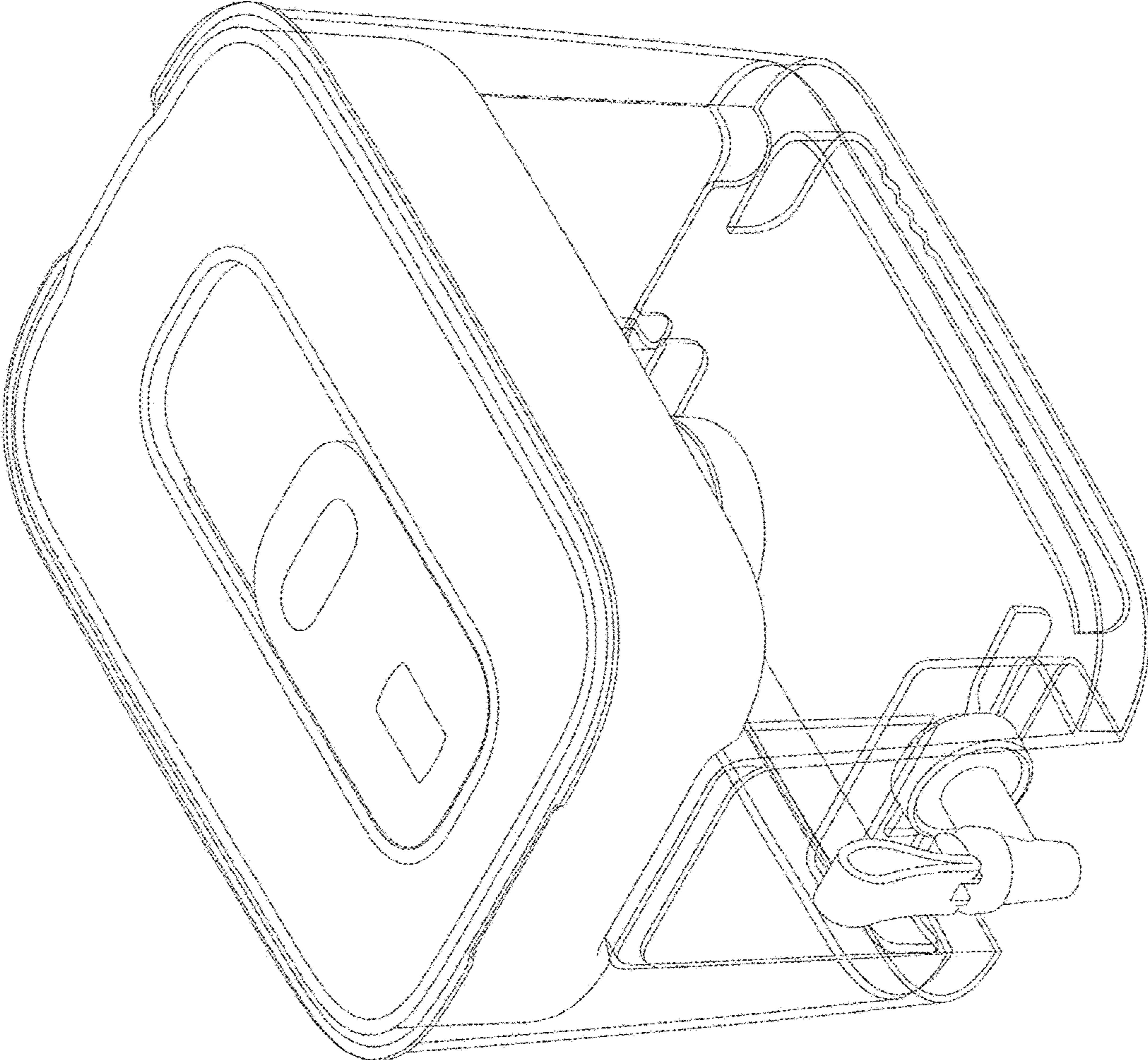


FIG. 8

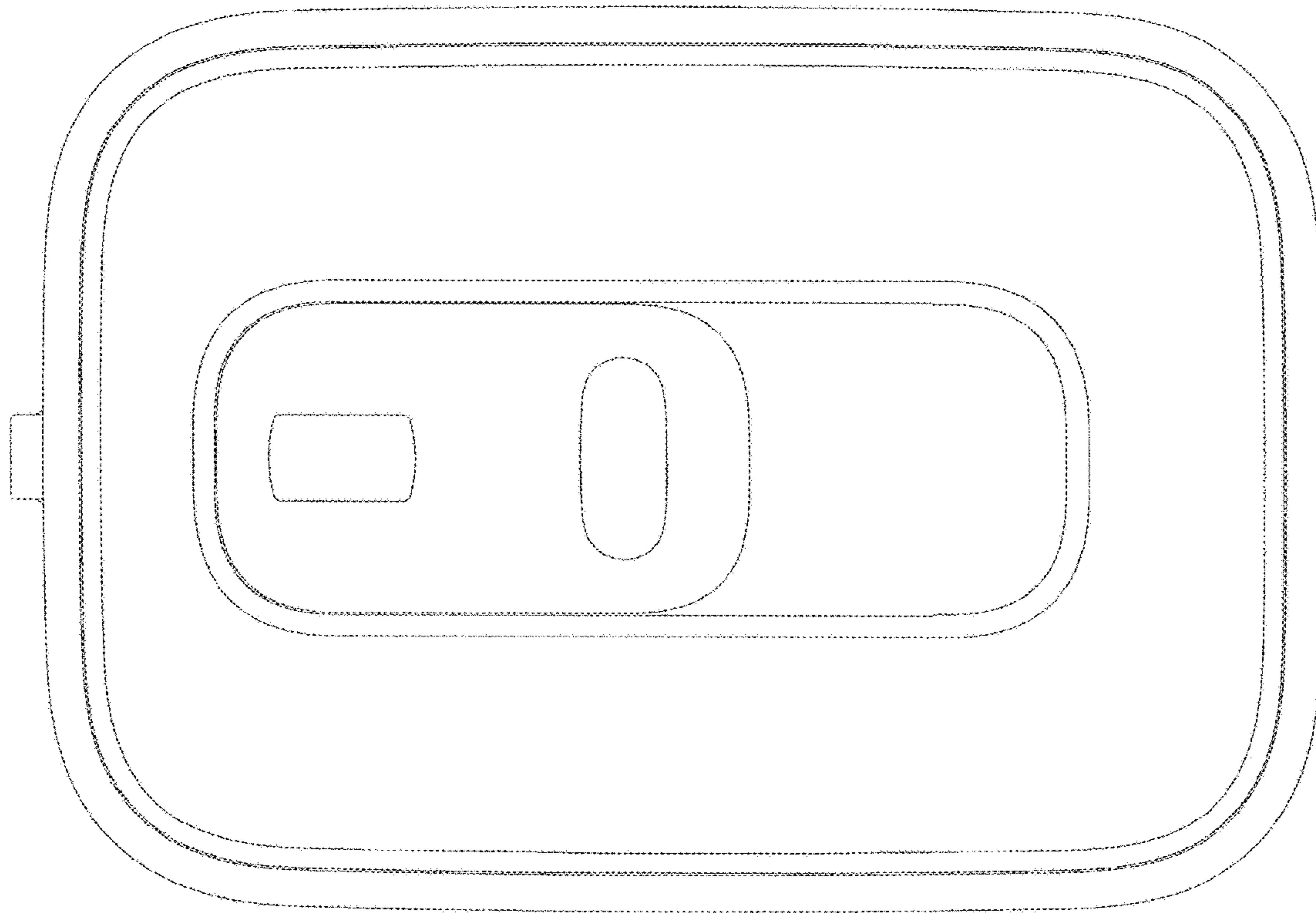


FIG. 9

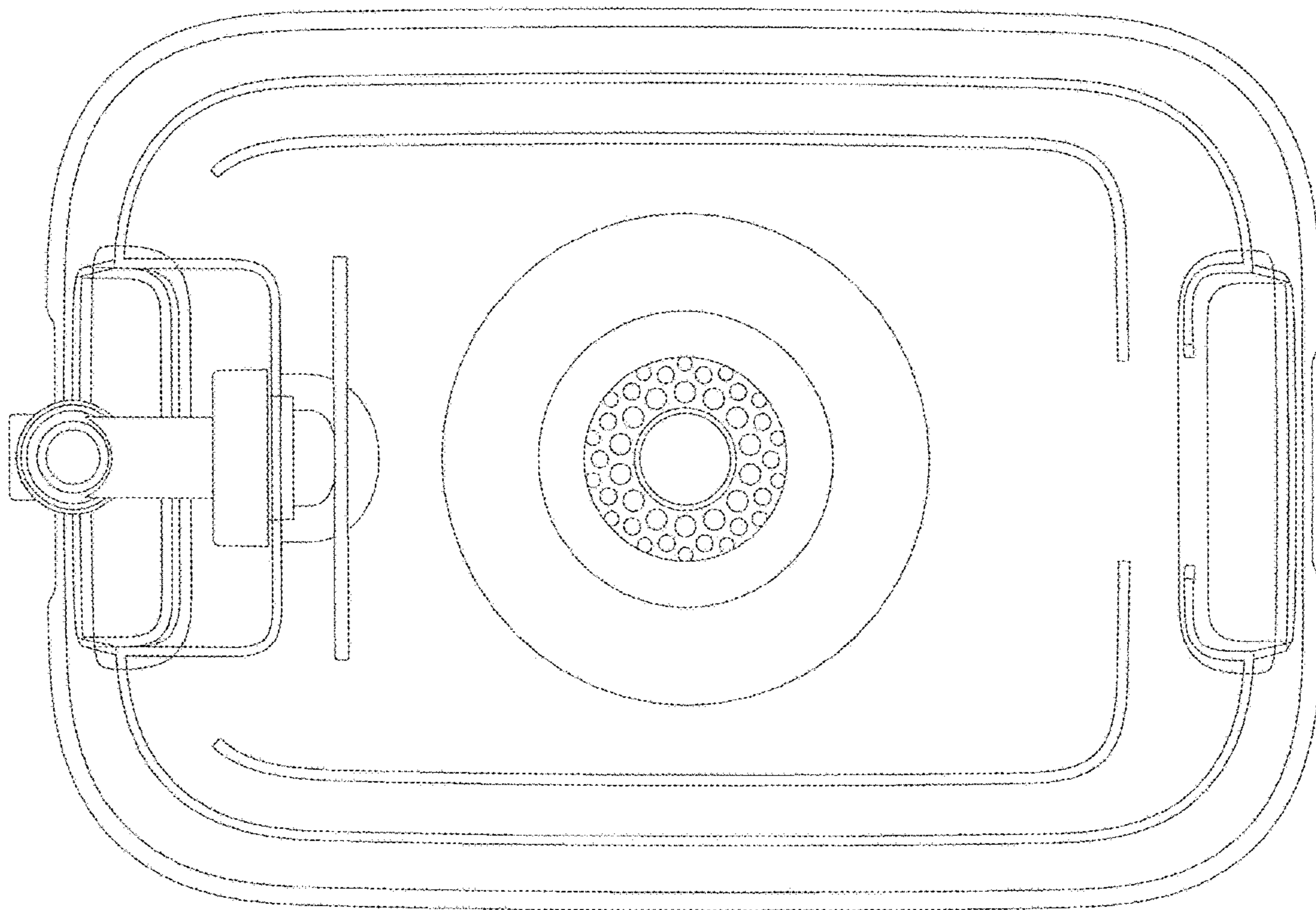


FIG. 10

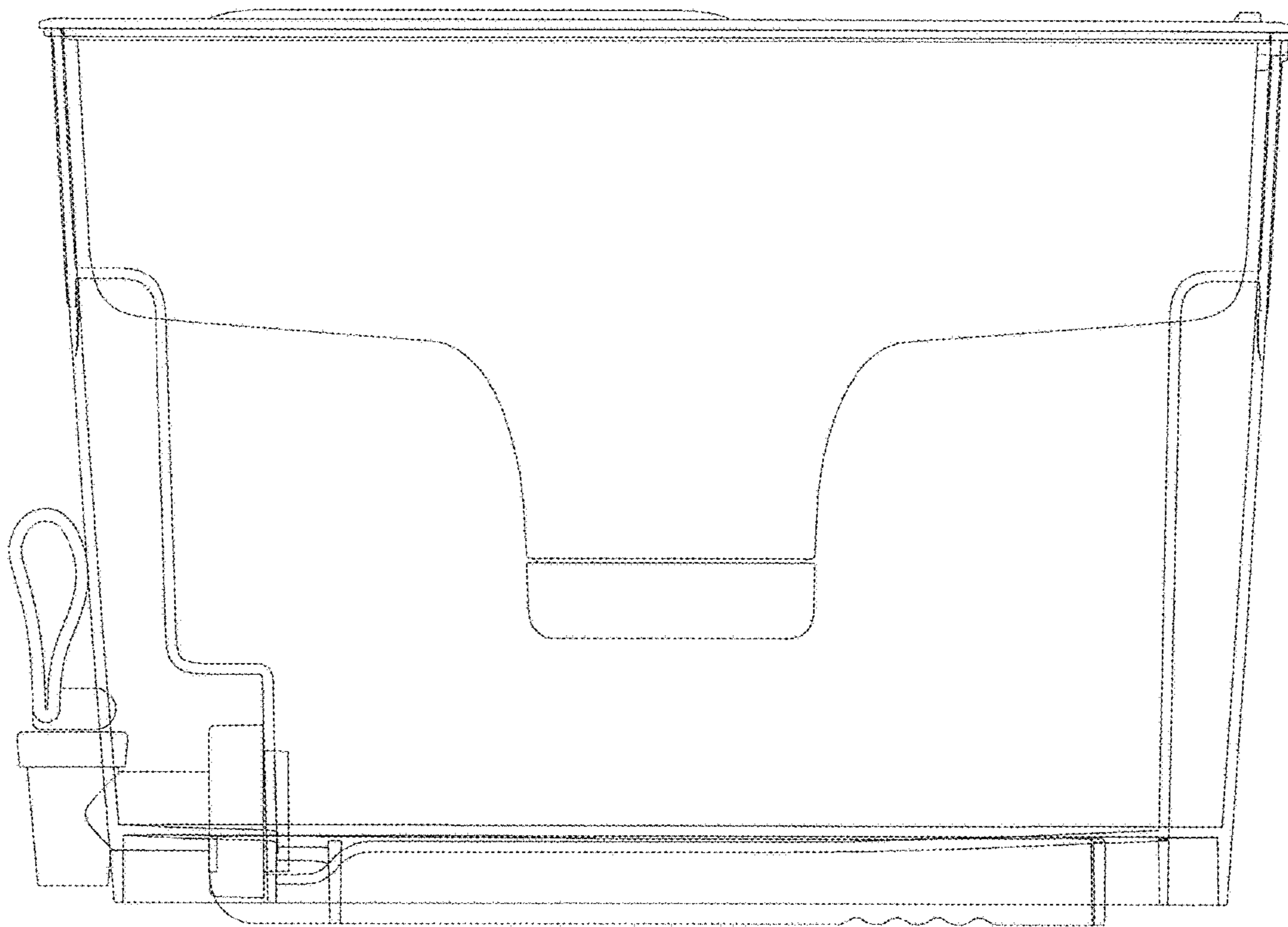


FIG. 11

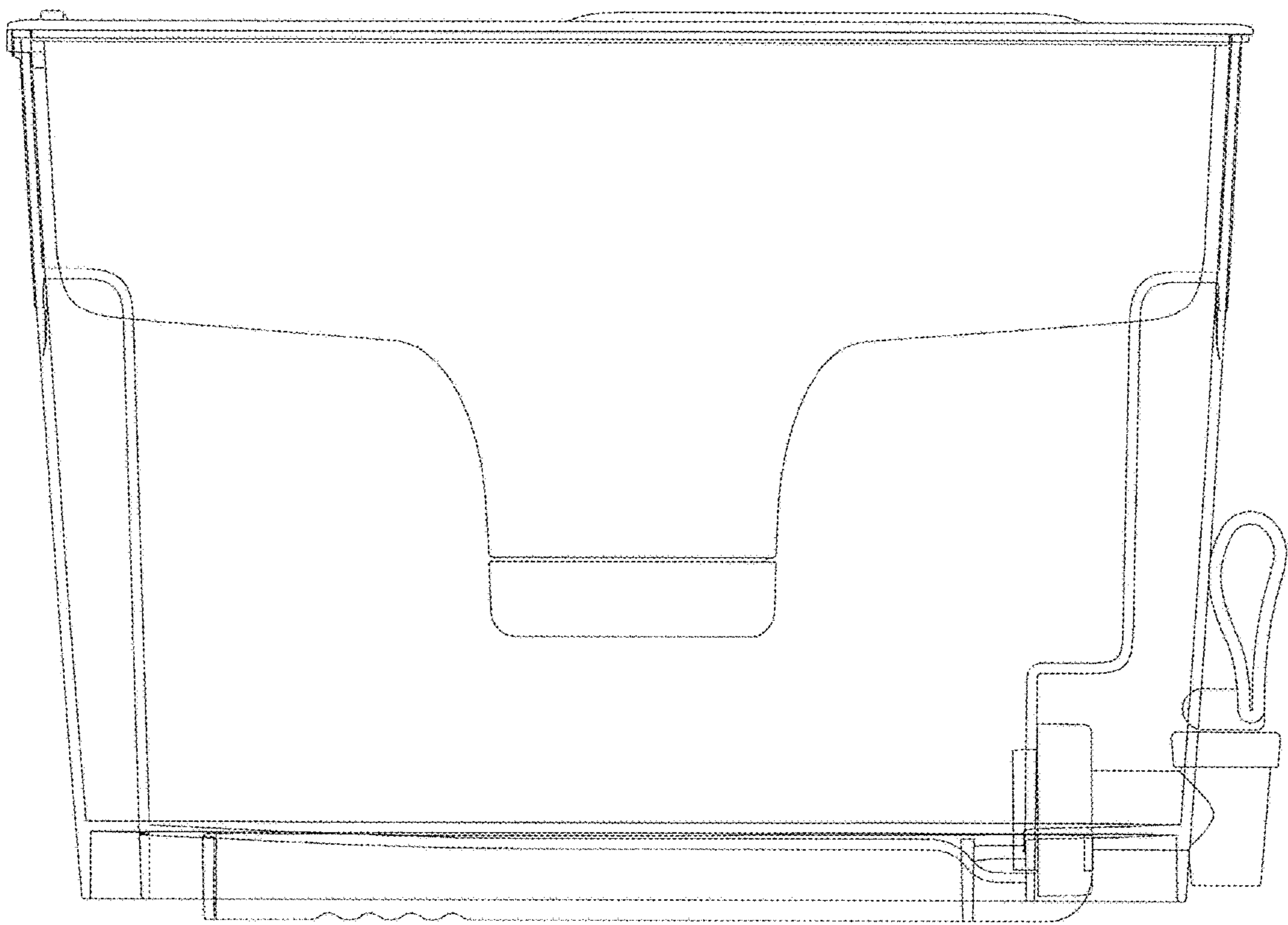


FIG. 12

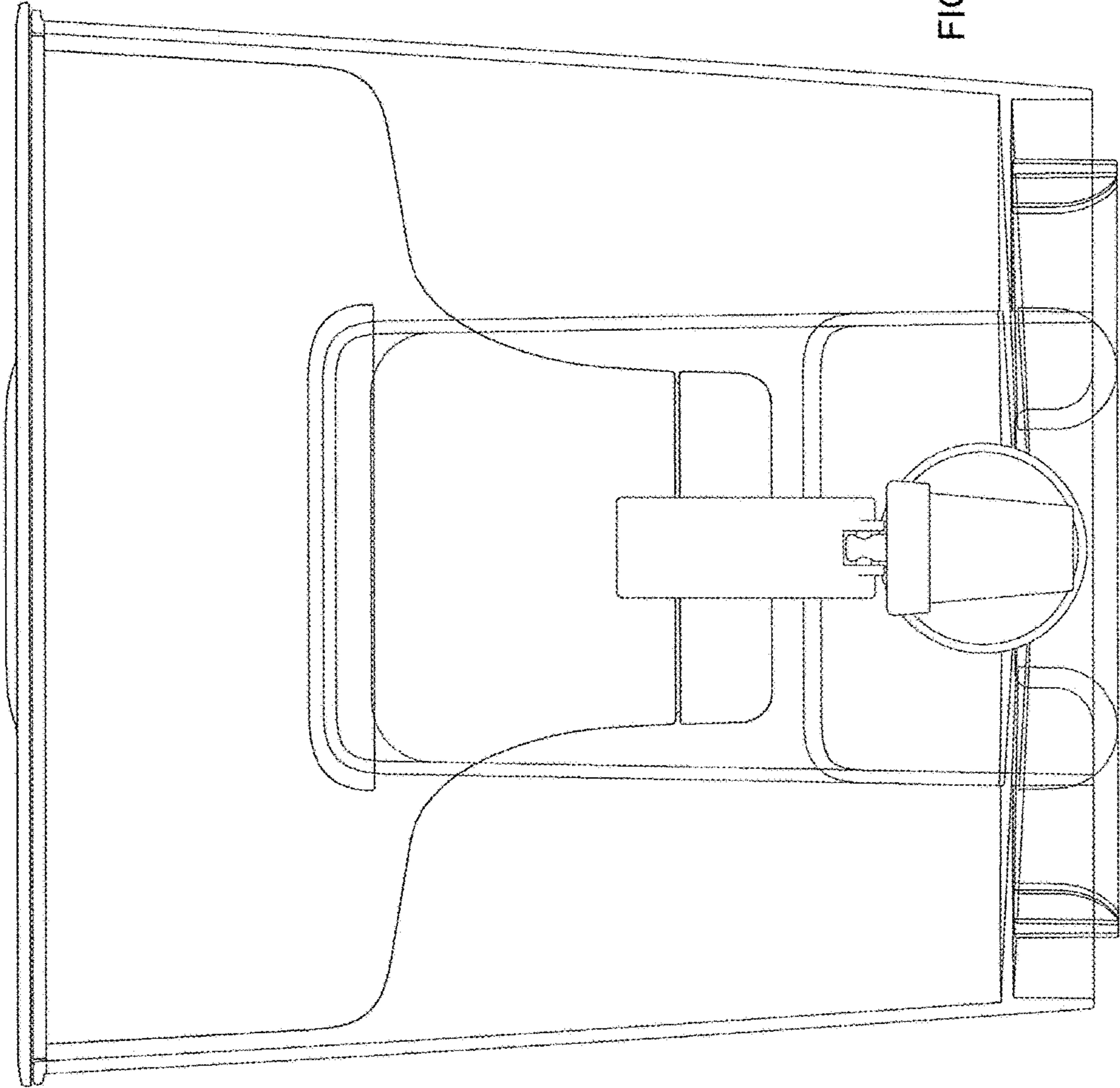


FIG. 13

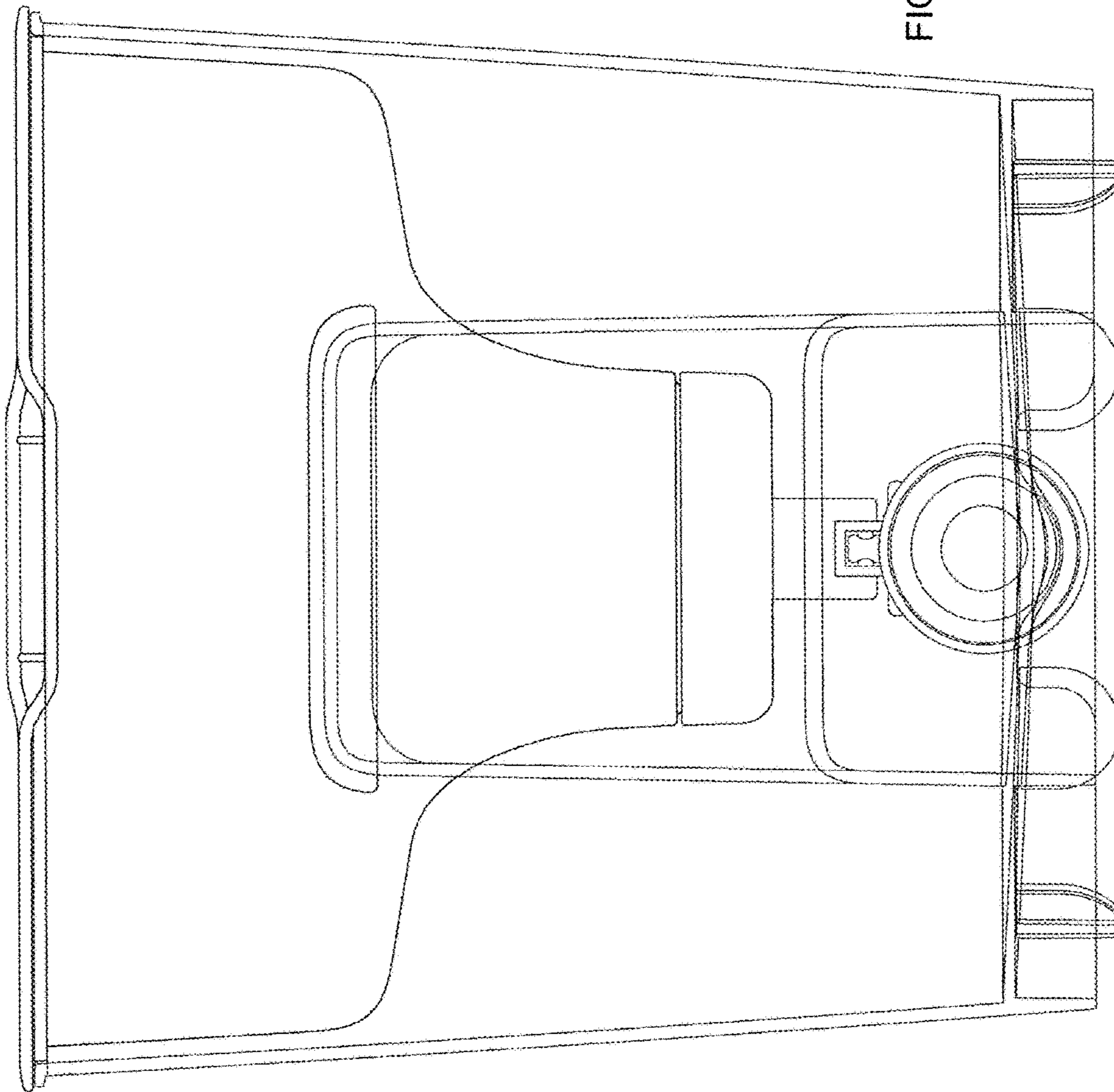


FIG. 14

UNITED STATES PATENT AND TRADEMARK OFFICE
CERTIFICATE OF CORRECTION

PATENT NO. : D845,693 S
APPLICATION NO. : 29/602628
DATED : April 16, 2019
INVENTOR(S) : Christian Rummel et al.

Page 1 of 1

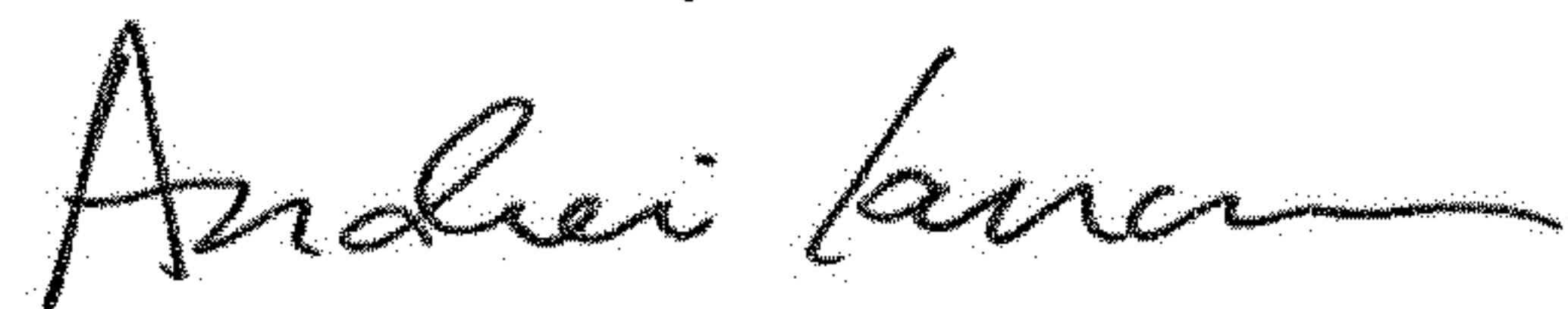
It is certified that error appears in the above-identified patent and that said Letters Patent is hereby corrected as shown below:

On the Title Page

IN THE DESCRIPTION:

In the description of FIG. 8, the word "third" is replaced with --second--

Signed and Sealed this
Fourth Day of June, 2019



Andrei Iancu
Director of the United States Patent and Trademark Office