



US00D845692S

(12) **United States Design Patent**
Chadwick et al.

(10) **Patent No.:** **US D845,692 S**
(45) **Date of Patent:** **** Apr. 16, 2019**

(54) **CHAIR AND CHAIR COMPONENTS**

(71) Applicant: **Herman Miller, Inc.**, Zeeland, MI (US)

(72) Inventors: **Don Chadwick**, Los Angeles, CA (US);
Jeffrey Koffman, Santa Monica, CA (US)

(73) Assignee: **Herman Miller, Inc.**, Zeeland, MI (US)

(**) Term: **15 Years**

(21) Appl. No.: **29/569,275**

(22) Filed: **Jun. 24, 2016**

Related U.S. Application Data

(63) Continuation-in-part of application No. 29/567,875, filed on Jun. 13, 2016.

(51) **LOC (11) Cl.** **06-01**

(52) **U.S. Cl.**
USPC **D6/716.4**

(58) **Field of Classification Search**
USPC D6/334-336, 364, 365, 366, 367, 374,
D6/379, 716, 716.1, 716.2, 716.4, 716.7,
D6/708.23, 708.24

CPC A47C 3/24; A47C 7/004; A47C 7/006;
A47C 7/40; A47C 7/44; A47C 7/46;
A47C 7/462; A47C 7/54; A47C 7/282;
B60N 2/66

See application file for complete search history.

(56) **References Cited**

U.S. PATENT DOCUMENTS

D346,279 S	4/1994	Stumpf et al.
D377,431 S	1/1997	Stumpf et al.
D386,023 S	11/1997	Stumpf et al.
5,863,095 A	1/1999	Rivard et al.
D420,523 S	2/2000	Stumpf et al.
6,575,530 B1	6/2003	Fischer et al.
6,619,739 B2	9/2003	McMillen
6,644,740 B2	11/2003	Hoist et al.

6,644,741 B2	11/2003	Hoist et al.
D487,359 S	3/2004	Giugiaro
D489,542 S	5/2004	Giugiaro
D497,501 S	10/2004	Saylor et al.
6,874,852 B2	4/2005	Footitt

(Continued)

FOREIGN PATENT DOCUMENTS

CN	3359368	3/2004
CN	3430524	3/2004

(Continued)

OTHER PUBLICATIONS

Request for Invalidation issued by the Chinese Patent Office for related Application No. 201630612246.4 dated Nov. 23, 2018 (94 pages including English translation).

Primary Examiner — Mimoso De

(74) *Attorney, Agent, or Firm* — Michael Best & Friedrich LLP

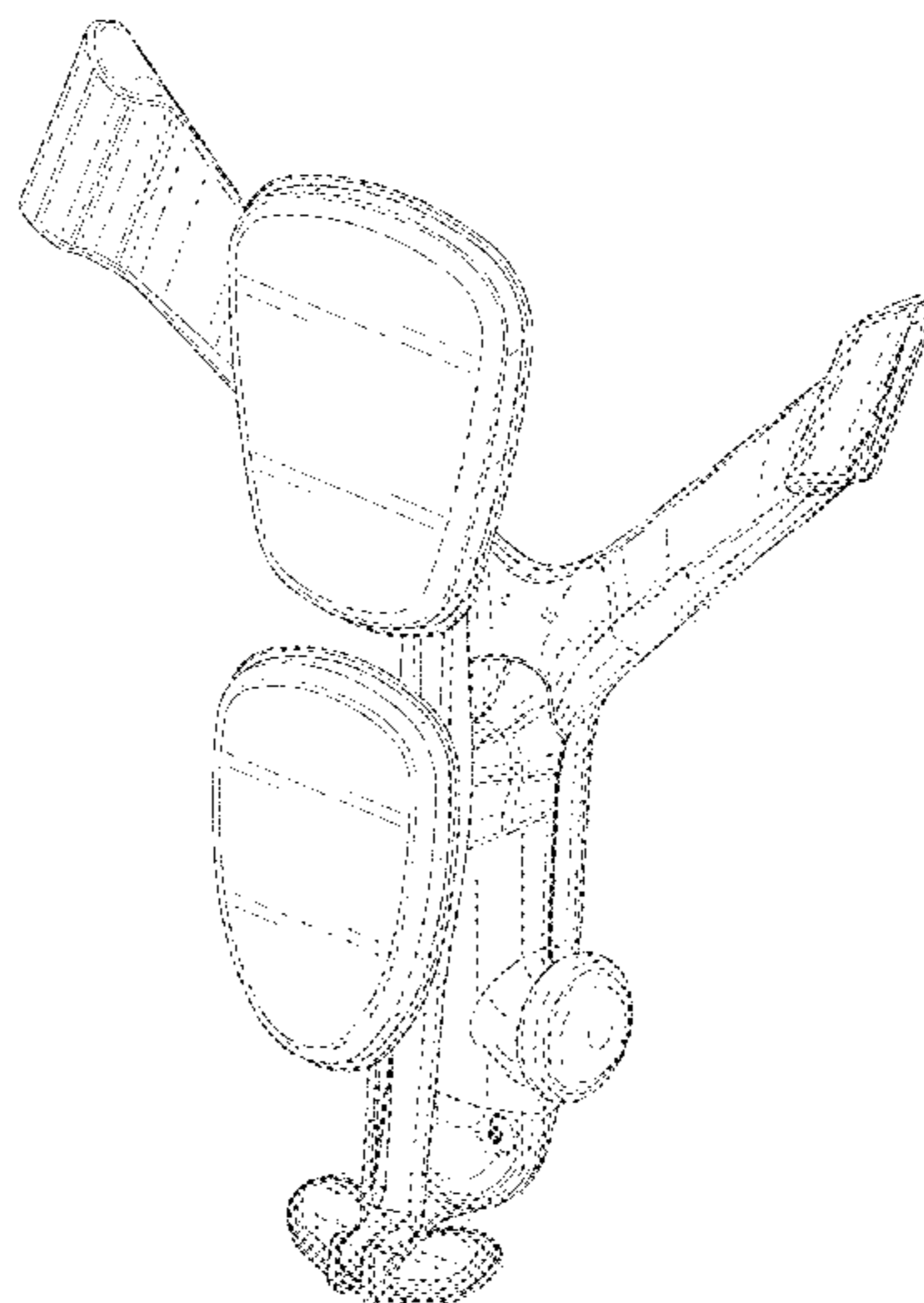
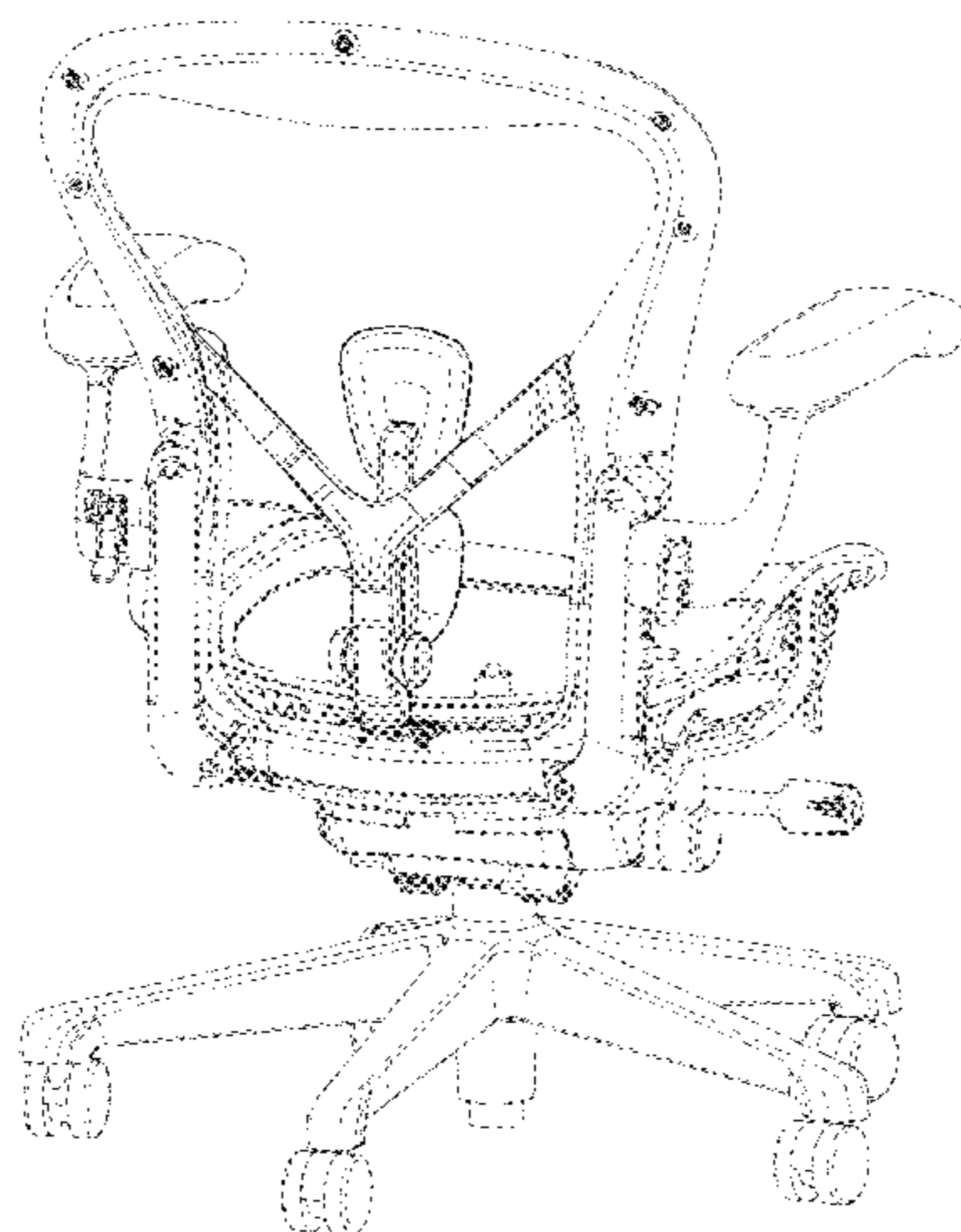
(57) **CLAIM**

We claim the ornamental design for a chair and chair components, as shown and described.

DESCRIPTION

FIG. 1 is a perspective view of a chair.
FIG. 2 is a front perspective view of a back support of the chair of FIG. 1.
FIG. 3 is a front view of the back support of FIG. 2.
FIG. 4 is a rear view of the back support of FIG. 2.
FIG. 5 is a bottom view of the back support of FIG. 2.
FIG. 6 is a first side view of the back support of FIG. 2.
FIG. 7 is a second side view of the back support of FIG. 2; and,
FIG. 8 is a top view of the back support of FIG. 2.
Portions of the chair and chair components shown in broken lines form no part of the claimed design.

1 Claim, 8 Drawing Sheets



(56)

References Cited

U.S. PATENT DOCUMENTS

D507,134 S 7/2005 Raftery et al.
 D511,914 S 11/2005 Edwards et al.
 D540,578 S * 4/2007 Chen D6/366
 7,234,773 B2 6/2007 Raftery et al.
 D547,978 S * 8/2007 Machael D6/716
 D548,992 S * 8/2007 Koepke D6/366
 D557,915 S * 12/2007 Ong D6/366
 7,303,232 B1 12/2007 Chen
 D558,994 S * 1/2008 Machael D6/366
 7,344,194 B2 3/2008 Maier et al.
 7,347,495 B2 3/2008 Beyer et al.
 7,357,453 B2 4/2008 Wu
 D580,199 S * 11/2008 Su D6/366
 D597,349 S * 8/2009 Wilkinson D6/716
 D607,653 S * 1/2010 Wilkinson D6/366
 7,837,265 B2 * 11/2010 Machael A47C 7/46
 297/300.2
 7,878,591 B2 2/2011 Walker et al.
 D654,280 S * 2/2012 Fujita D6/366
 D657,166 S 4/2012 Behar et al.
 8,308,240 B1 11/2012 Chou et al.
 D673,400 S * 1/2013 Chen D6/716.4
 8,449,037 B2 5/2013 Behar et al.
 D683,552 S 6/2013 Wu

D687,660 S * 8/2013 Hsuan-Chin D6/366
 8,573,697 B1 11/2013 Su
 D703,966 S 5/2014 Wu
 D709,312 S 7/2014 Giugiaro
 D714,042 S 9/2014 Petrie
 D724,878 S * 3/2015 Tsai D6/716.4
 D774,345 S * 12/2016 Tsai D6/716.4
 D777,494 S 1/2017 Prestwich
 D779,251 S 2/2017 Beyer et al.
 D784,749 S 4/2017 Welsh et al.
 D799,877 S 10/2017 Mulder et al.
 D804,881 S 12/2017 Guelfo
 2005/0104428 A1 5/2005 Walker et al.

FOREIGN PATENT DOCUMENTS

CN 301390258 S 11/2010
 CN 301543076 S 5/2011
 CN 303502699 S 12/2015
 TW D129285 6/2009
 TW D134501 4/2010
 TW D140909 6/2011
 TW D150755 12/2012
 TW D151081 1/2013
 TW D164647 12/2014

* cited by examiner

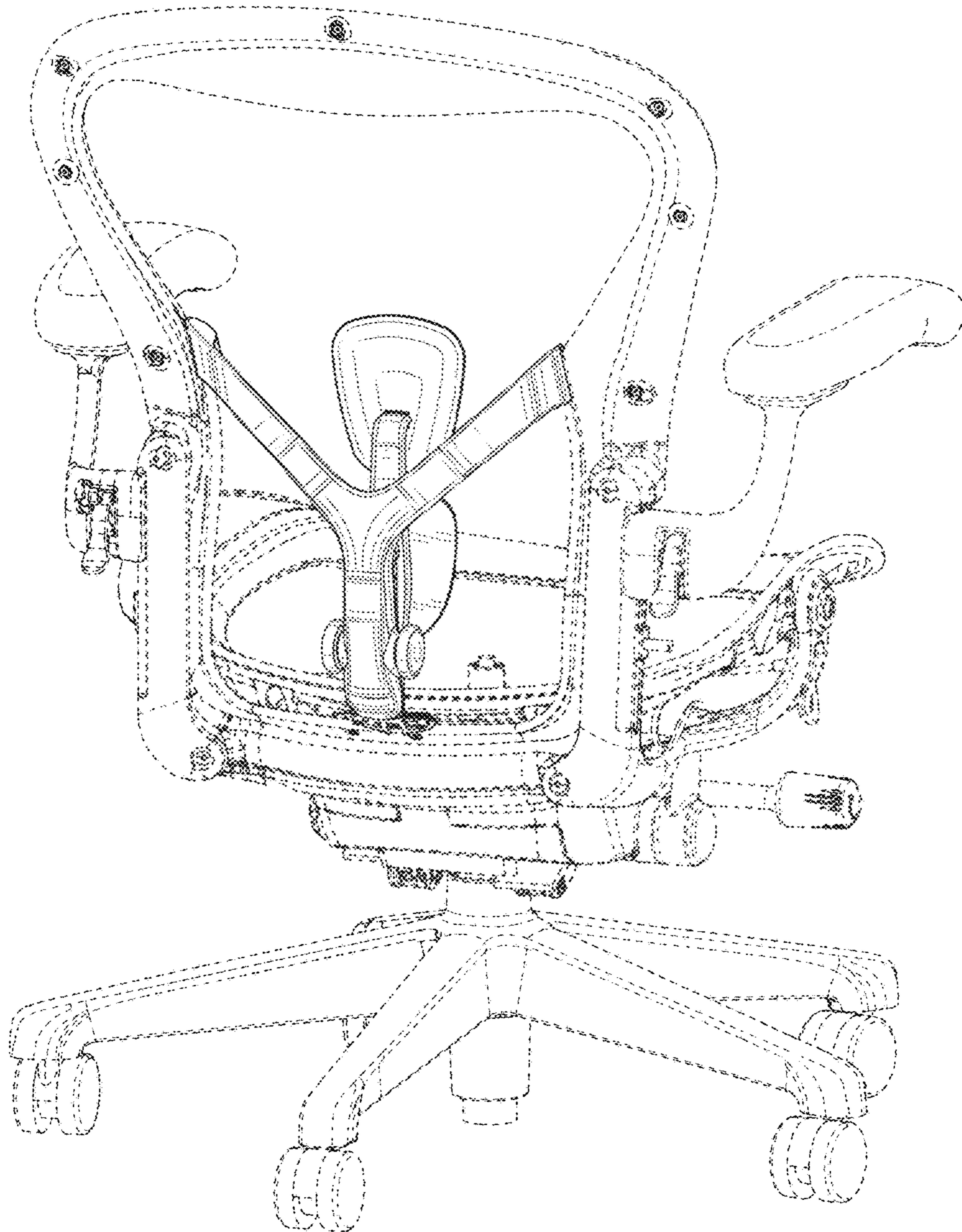


FIG. 1

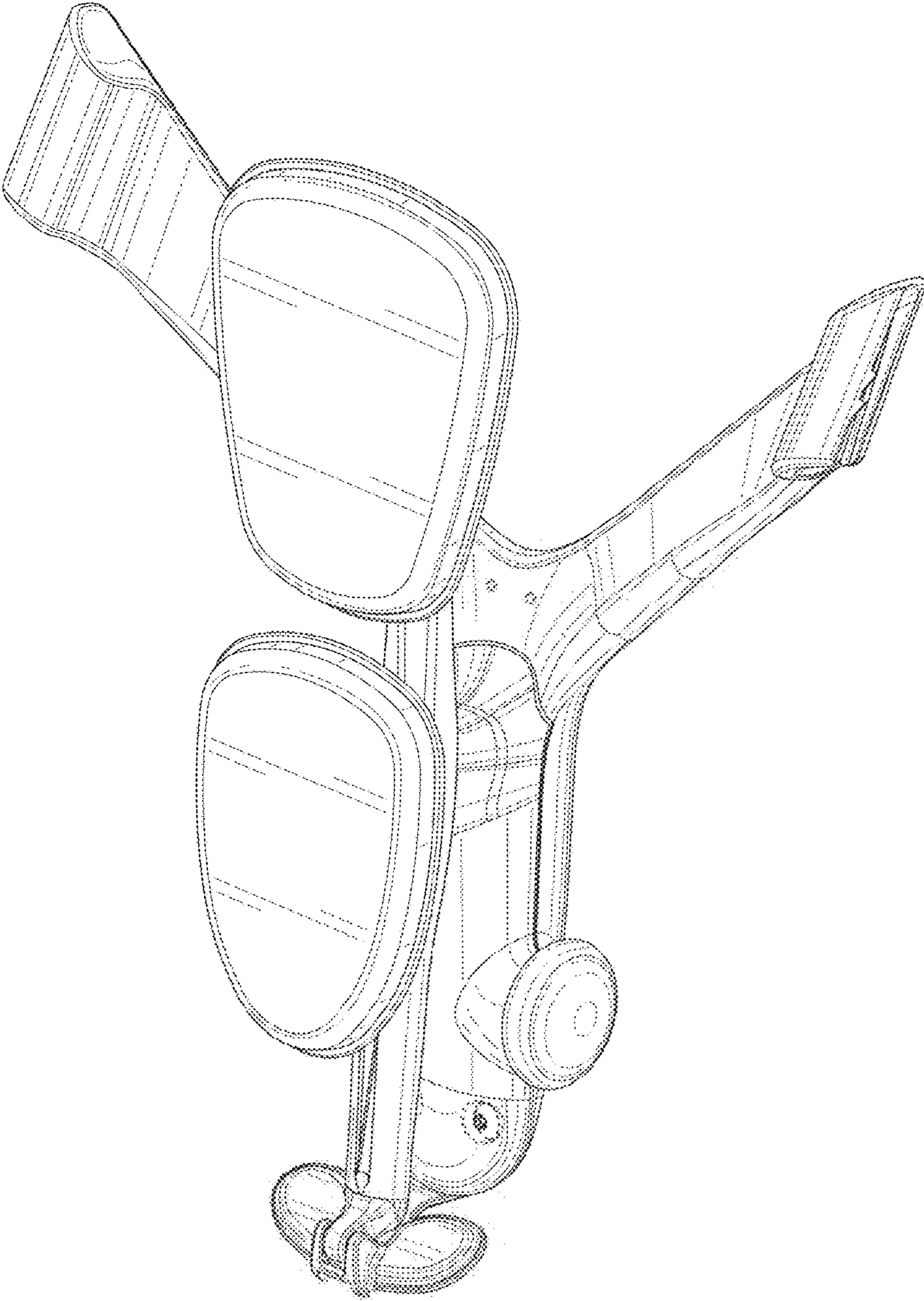


FIG. 2

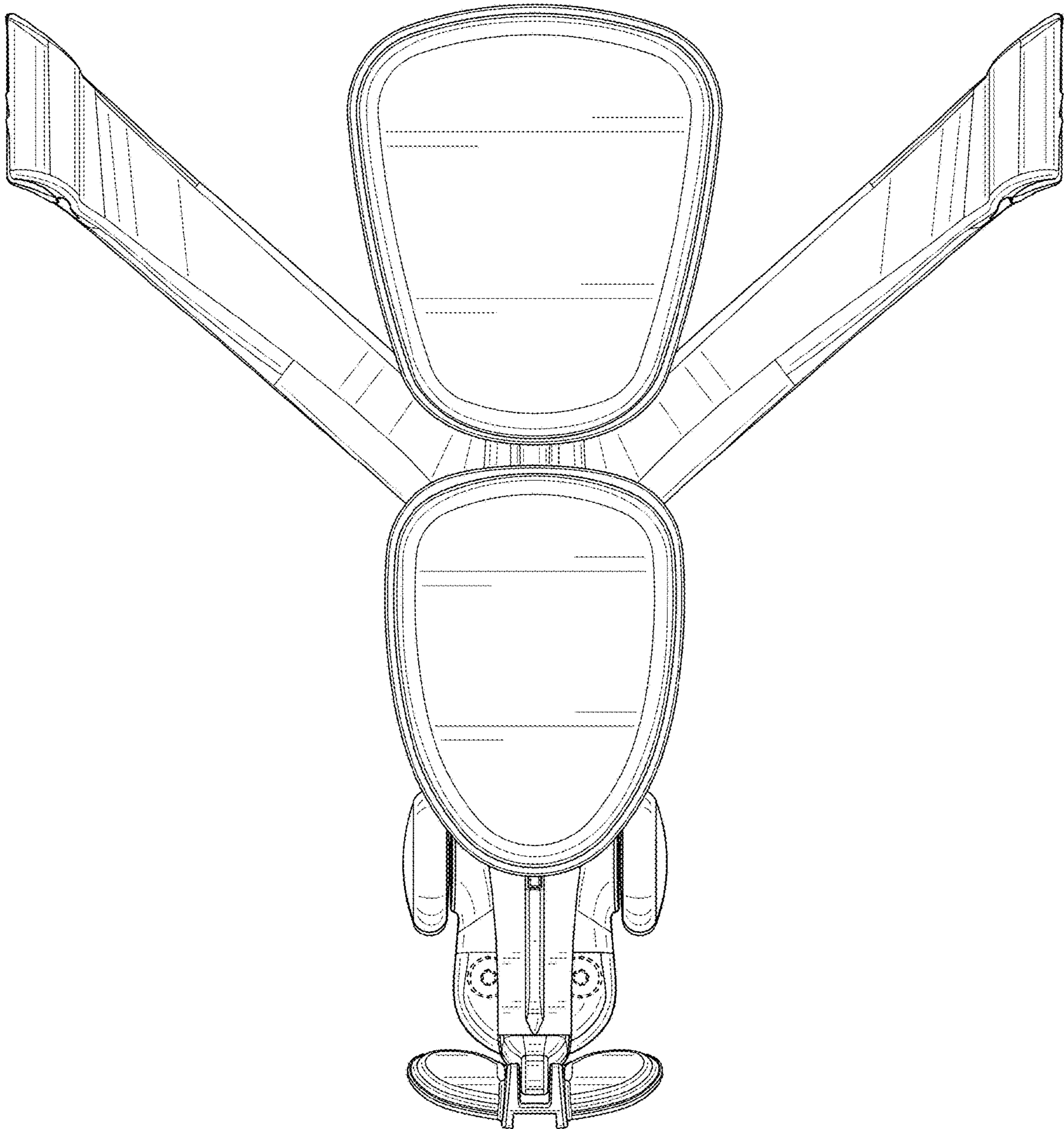


FIG. 3

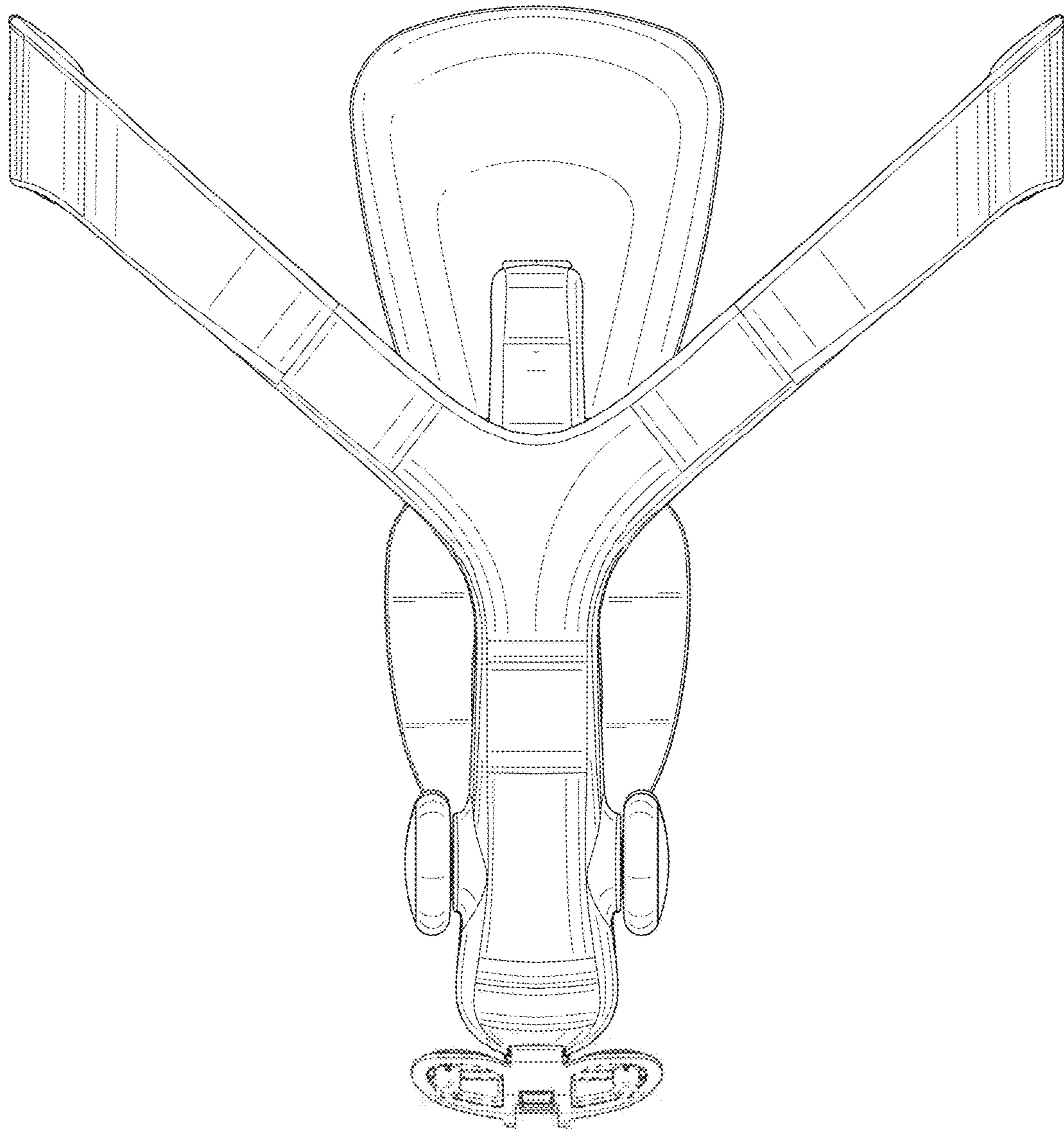


FIG. 4

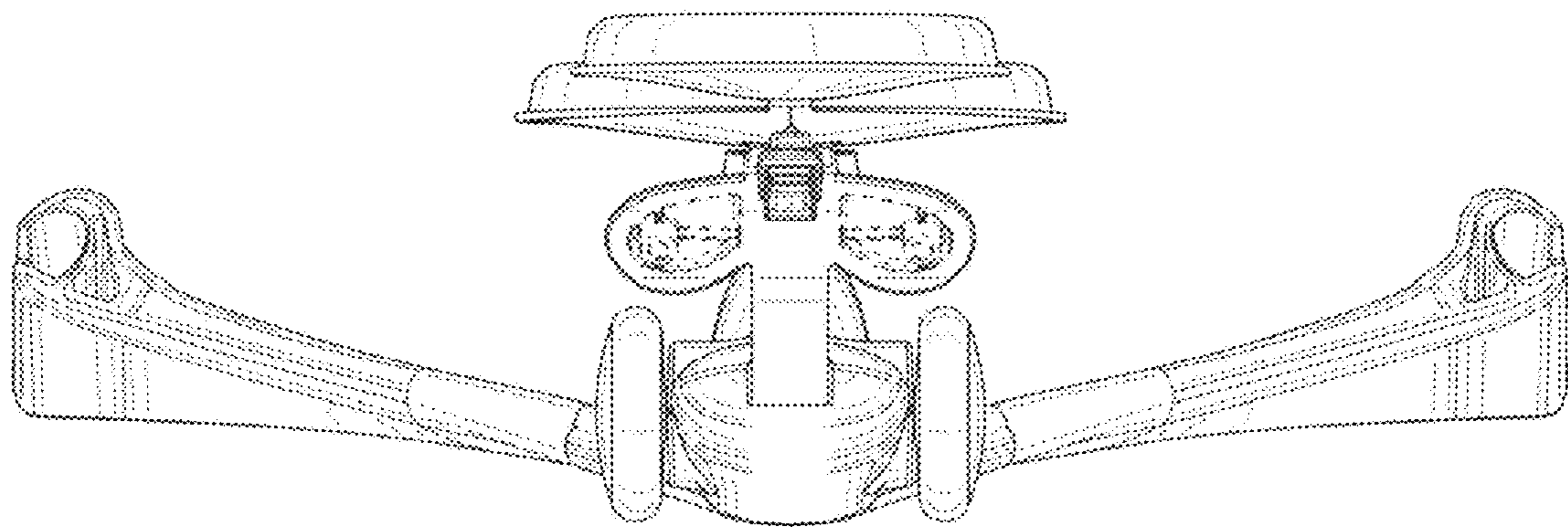


FIG. 5

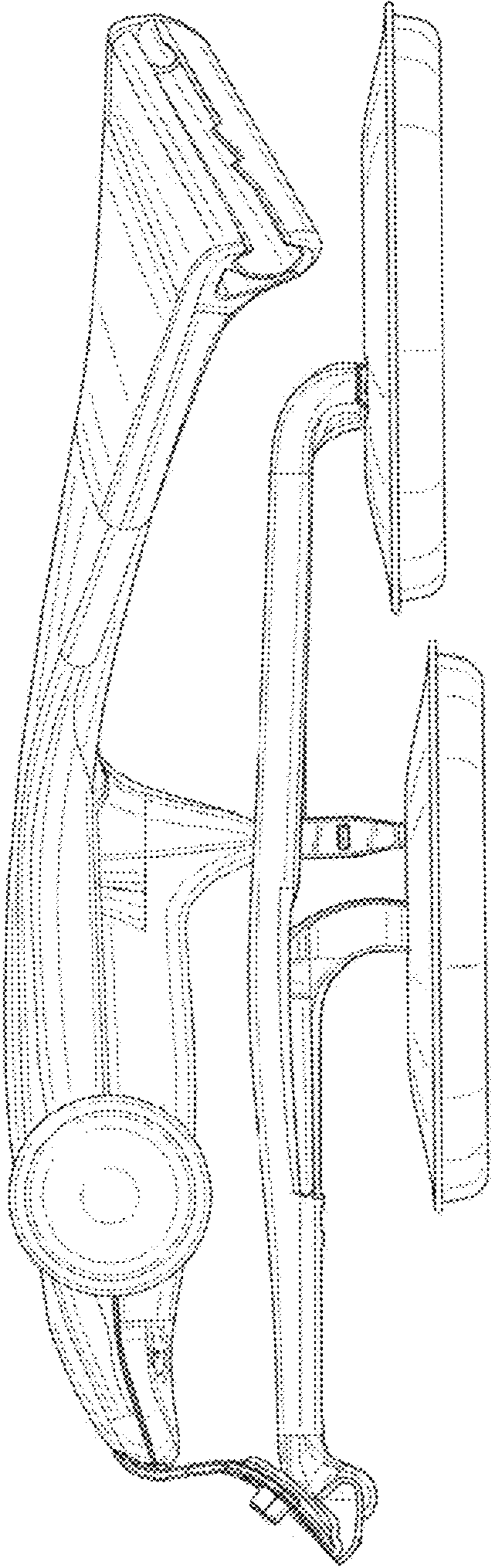


FIG. 6

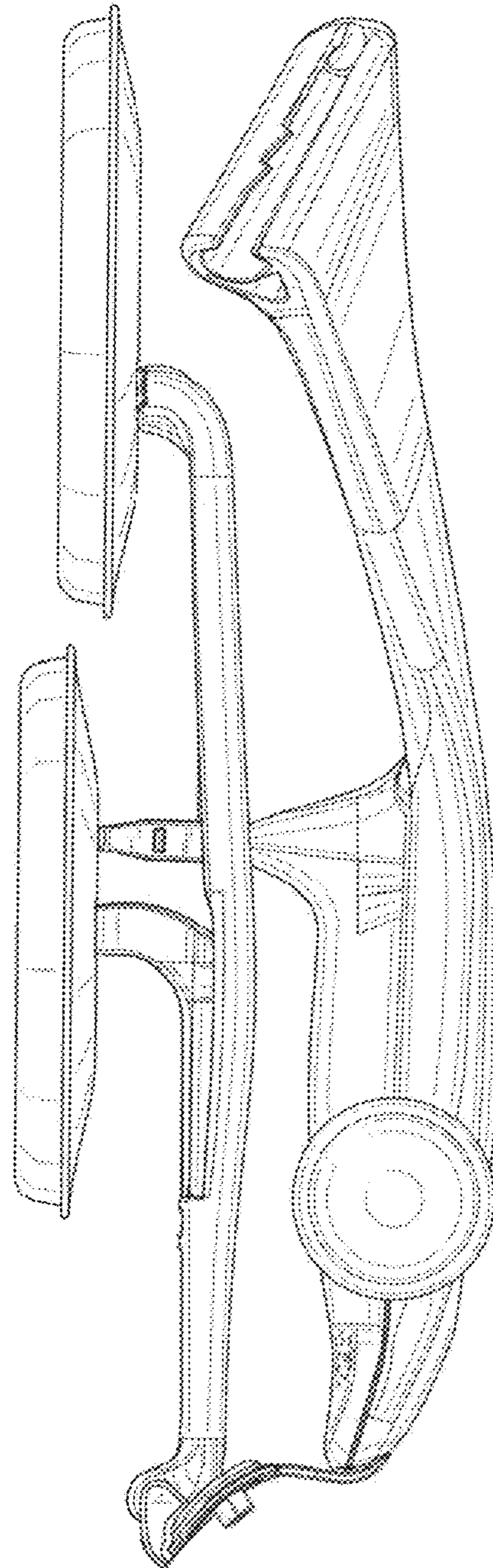


FIG. 7

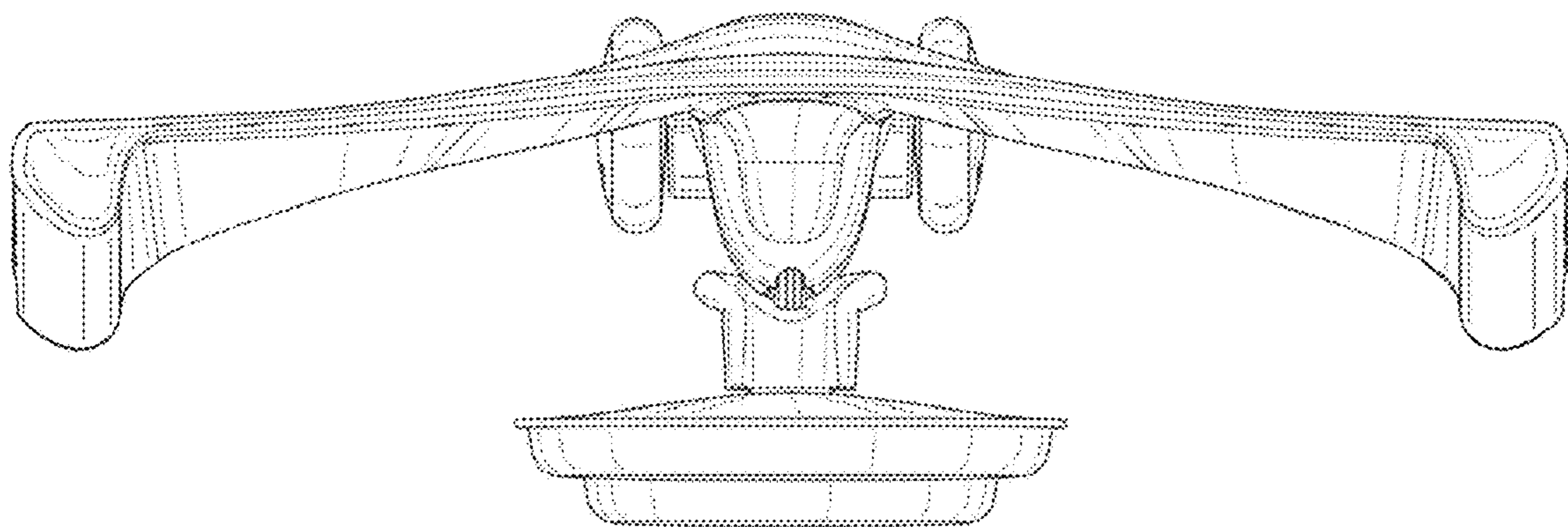


FIG. 8