



US00D845691S

(12) **United States Design Patent**
Weller

(10) **Patent No.:** **US D845,691 S**

(45) **Date of Patent:** **** Apr. 16, 2019**

(54) **SEAT WITH LOWER CUT-OUT**

(71) Applicant: **Kusch + Co. GmbH & Co. KG,**
Hallenberg (DE)

(72) Inventor: **Uwe Weller,** Bad Berleburg (DE)

(73) Assignee: **Kusch + Co. GmbH & Co. KG,**
Hallenberg (DE)

(**) Term: **15 Years**

(21) Appl. No.: **29/633,847**

(22) Filed: **Jan. 16, 2018**

(51) **LOC (11) Cl.** **06-01**

(52) **U.S. Cl.**
USPC **D6/716; D6/375**

(58) **Field of Classification Search**
USPC D6/334-336, 366, 371, 372, 373, 375,
D6/376, 379, 716, 716.1, 716.2, 716.3,
D6/716.4
CPC A47C 3/04; A47C 3/12; A47C 4/02; A47C
4/03; A47C 5/04; A47C 5/12; A47C 7/16
See application file for complete search history.

(56) **References Cited**

U.S. PATENT DOCUMENTS

D171,208 S *	12/1953	Jones	D6/375
D171,210 S *	12/1953	Jones	D6/356
D189,347 S *	11/1960	Chapman	D6/375
D299,191 S *	1/1989	Frinier	D6/375
5,340,197 A *	8/1994	Vogtherr	A47C 3/12 297/285
D360,786 S *	8/1995	Zapf	D6/375
D576,812 S *	9/2008	Van Severen	D6/366
D654,283 S *	2/2012	Oliveros	D6/375
D737,617 S *	9/2015	Bellin	D6/716

D738,658 S *	9/2015	Bellin	D6/716
D753,945 S *	4/2016	Johnson	A47C 3/04 D6/716
D820,018 S *	6/2018	Bellin	D6/716
D830,092 S *	10/2018	Kolberg	D6/716

FOREIGN PATENT DOCUMENTS

DE	19637307	A1	4/1997
DE	102008007905	B4	2/2008
DE	202011100998	A1	9/2011

* cited by examiner

Primary Examiner — Mimoso De

(74) *Attorney, Agent, or Firm* — Kilpatrick Townsend & Stockton LLP

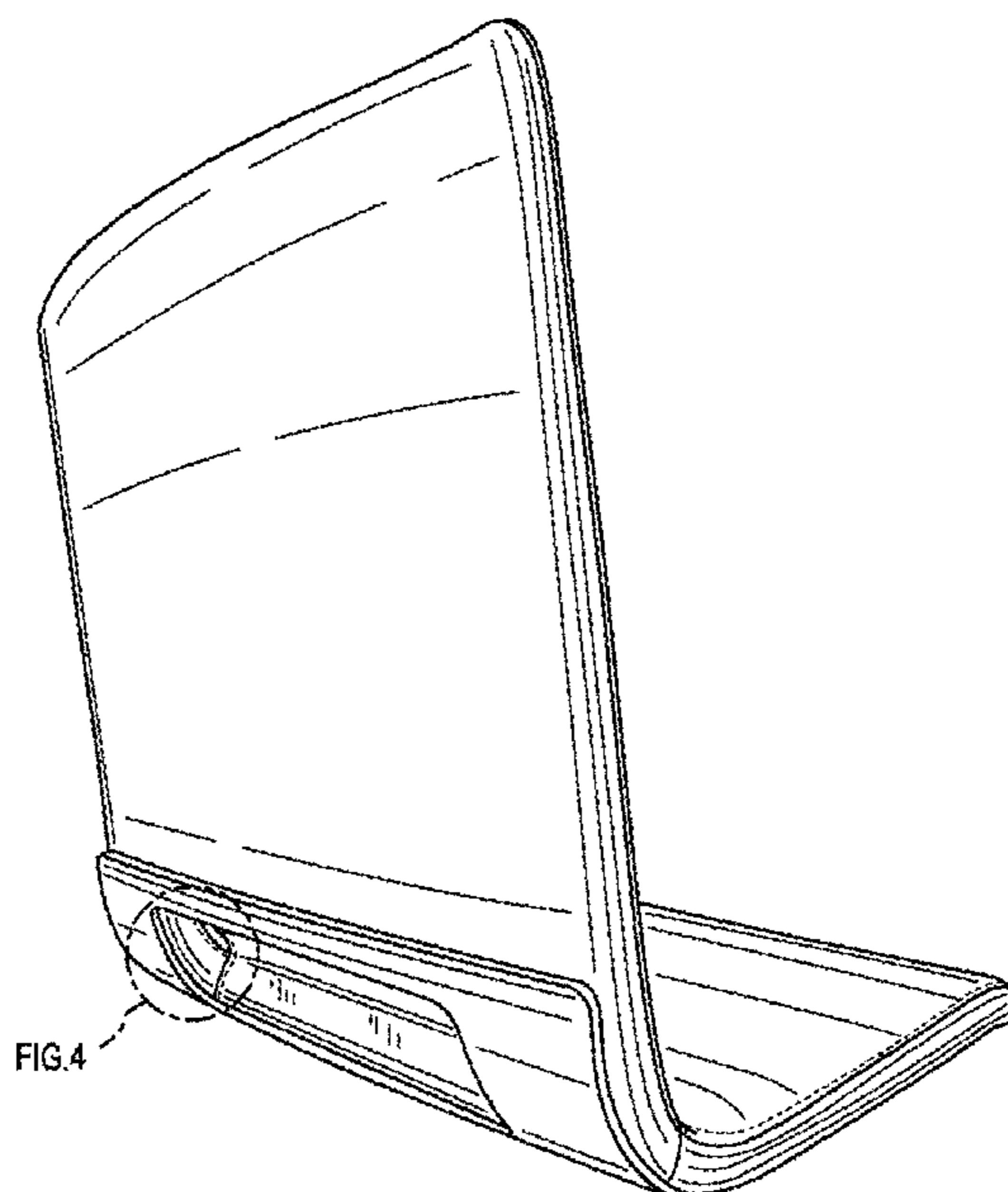
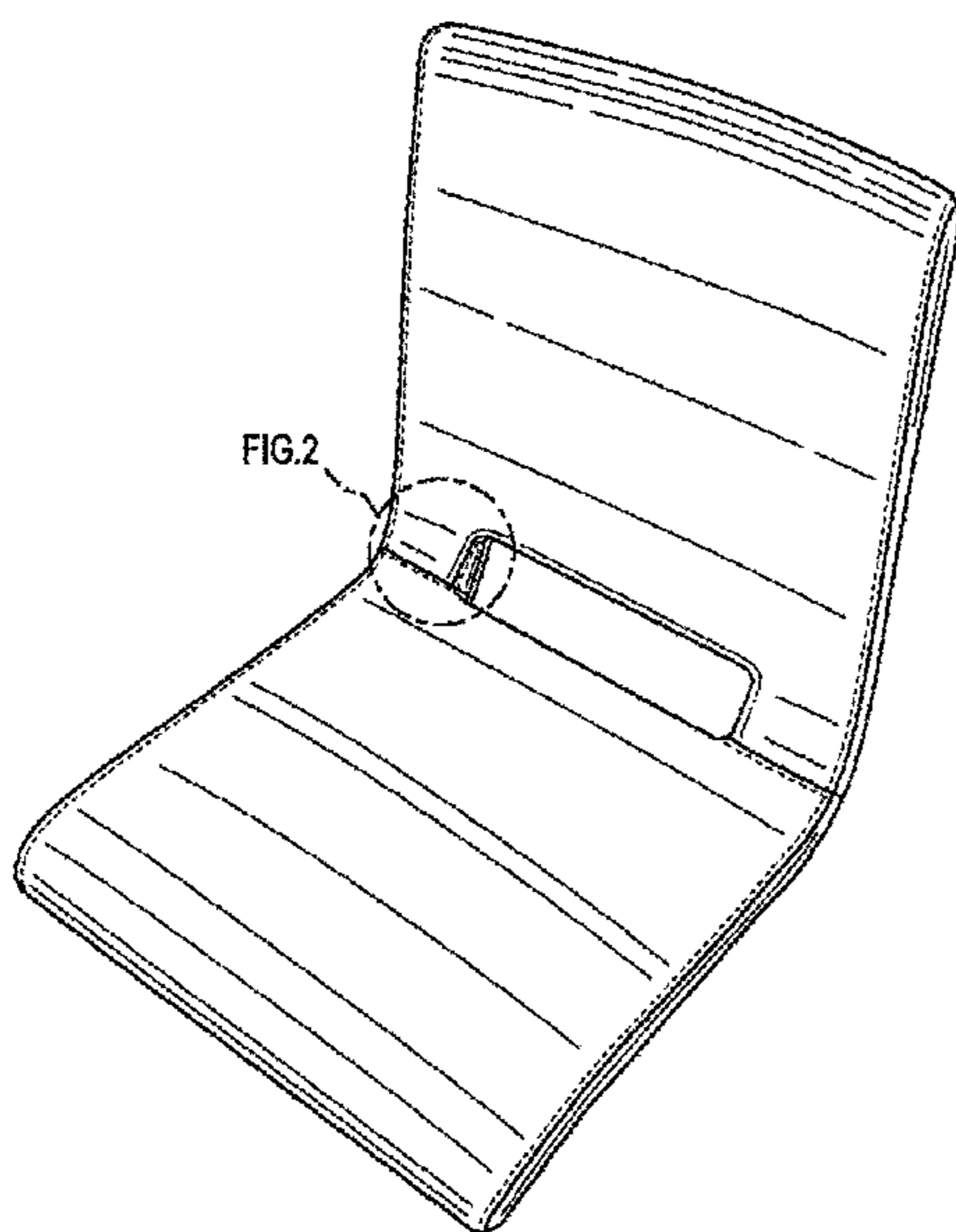
(57) **CLAIM**

The ornamental design for seat with lower cut-out, as shown and described.

DESCRIPTION

FIG. 1 is a front perspective view of the seat with lower cut-out;
 FIG. 2 is a more detailed view of a portion of the cut-out of FIG. 1
 FIG. 3 is a rear perspective view thereof;
 FIG. 4 is a more detailed view of a portion of the cut-out of FIG. 3;
 FIG. 5 is a front view thereof;
 FIG. 6 is a back view thereof;
 FIG. 7 is a left side view thereof;
 FIG. 8 is a right side view thereof;
 FIG. 9 is a top view thereof; and,
 FIG. 10 is a bottom view thereof.
 The dashed lines shown on the seat and backrest in all views are understood to represent stitching.

1 Claim, 8 Drawing Sheets



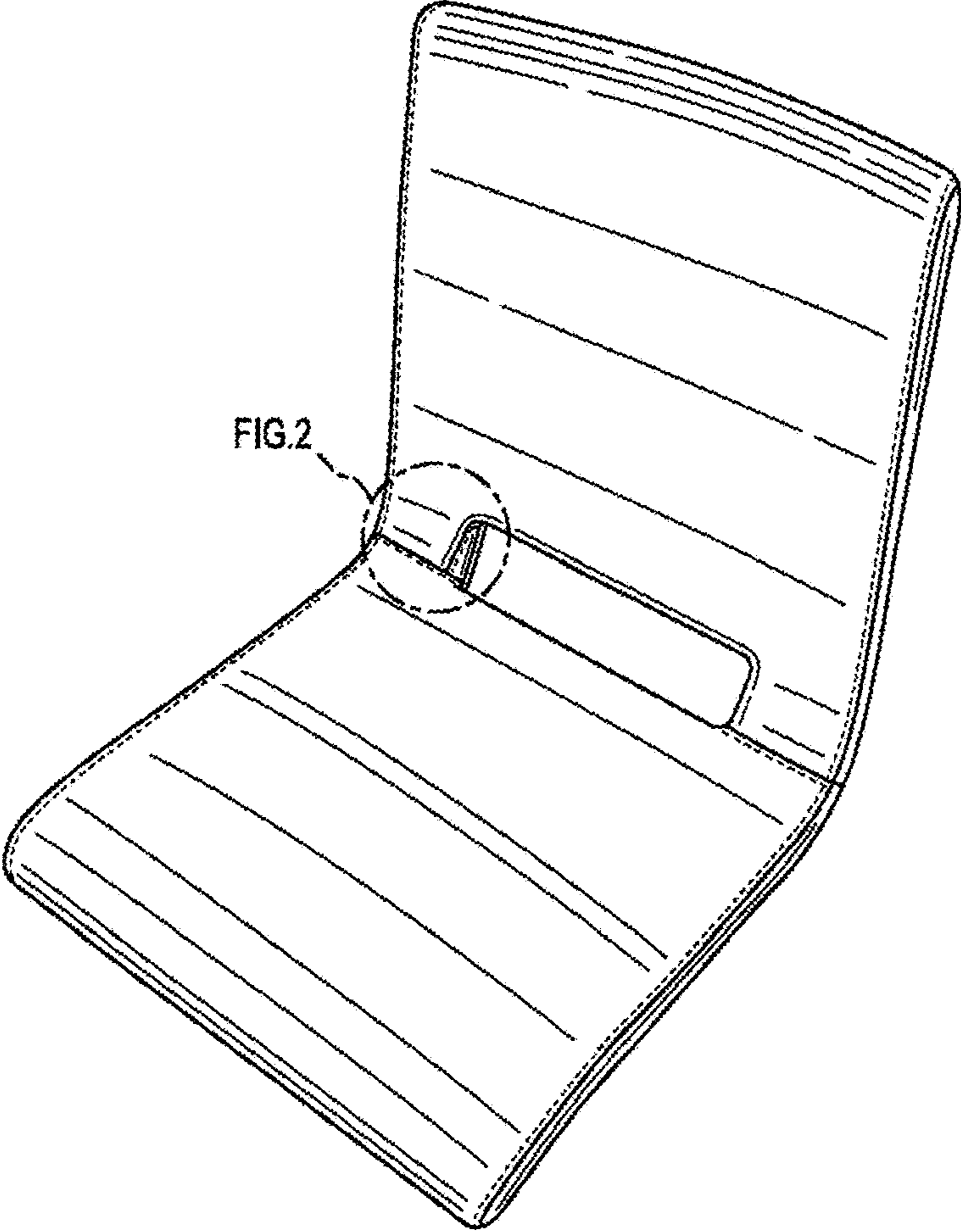


FIG. 1

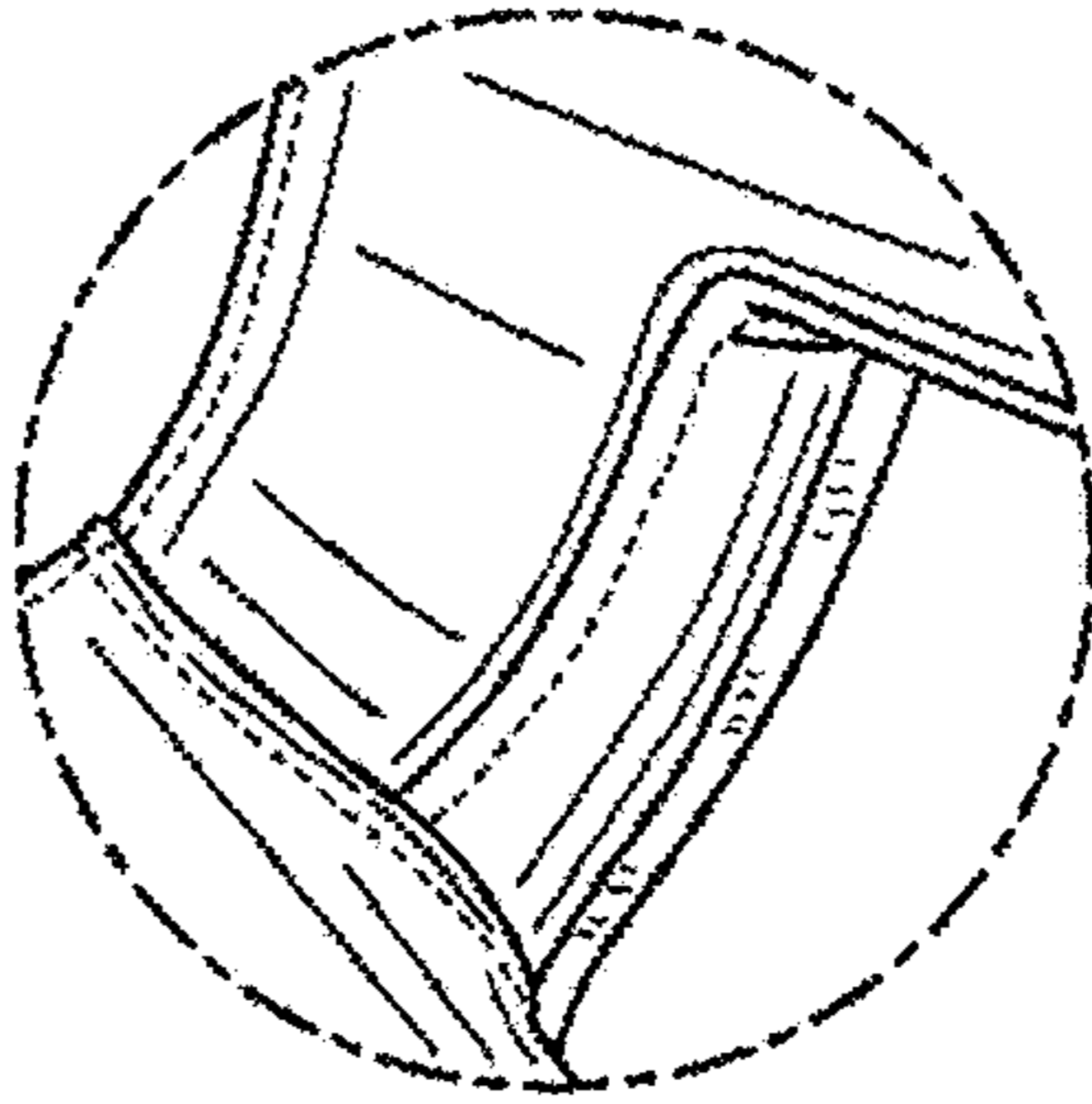


FIG. 2

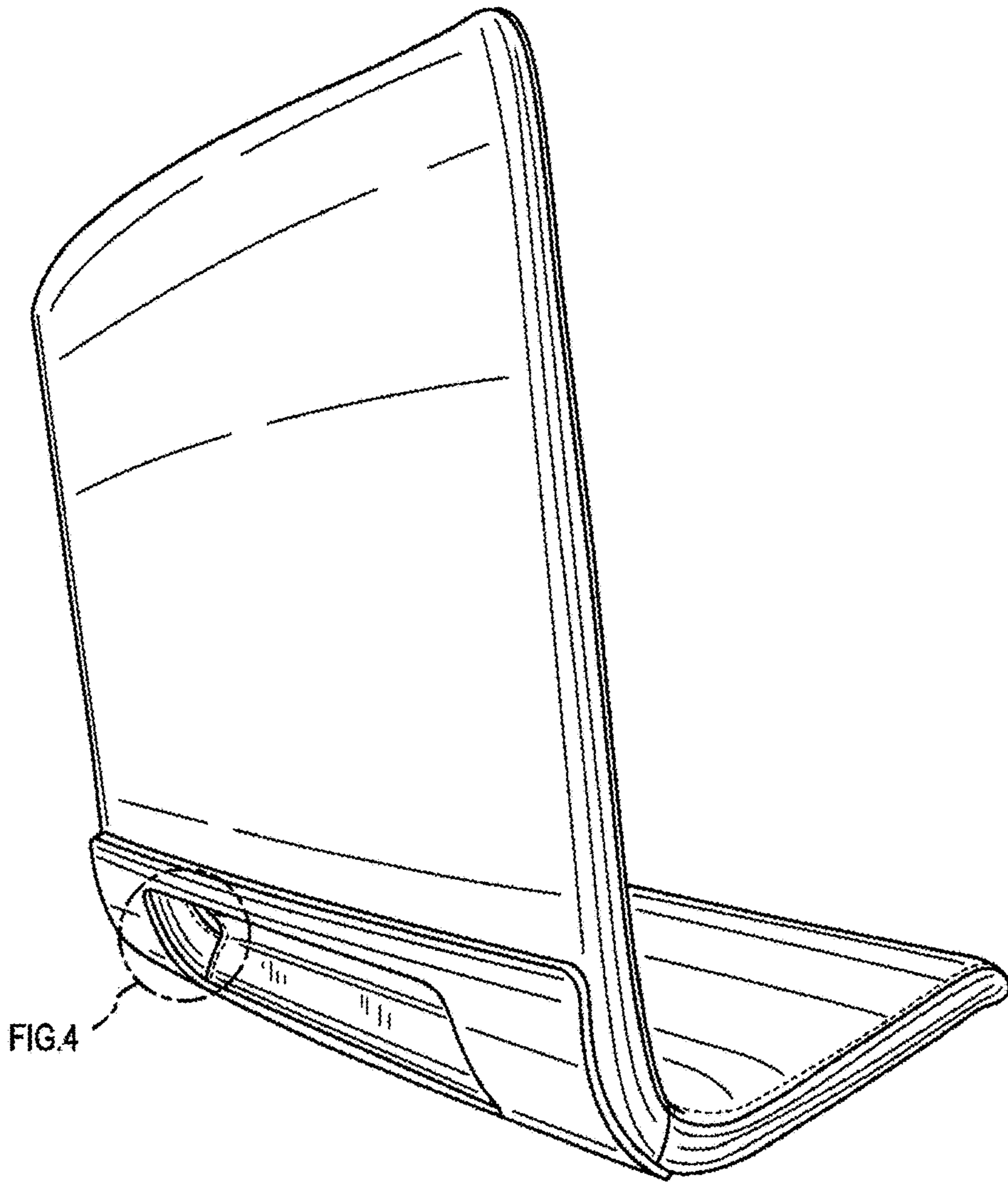


FIG. 3

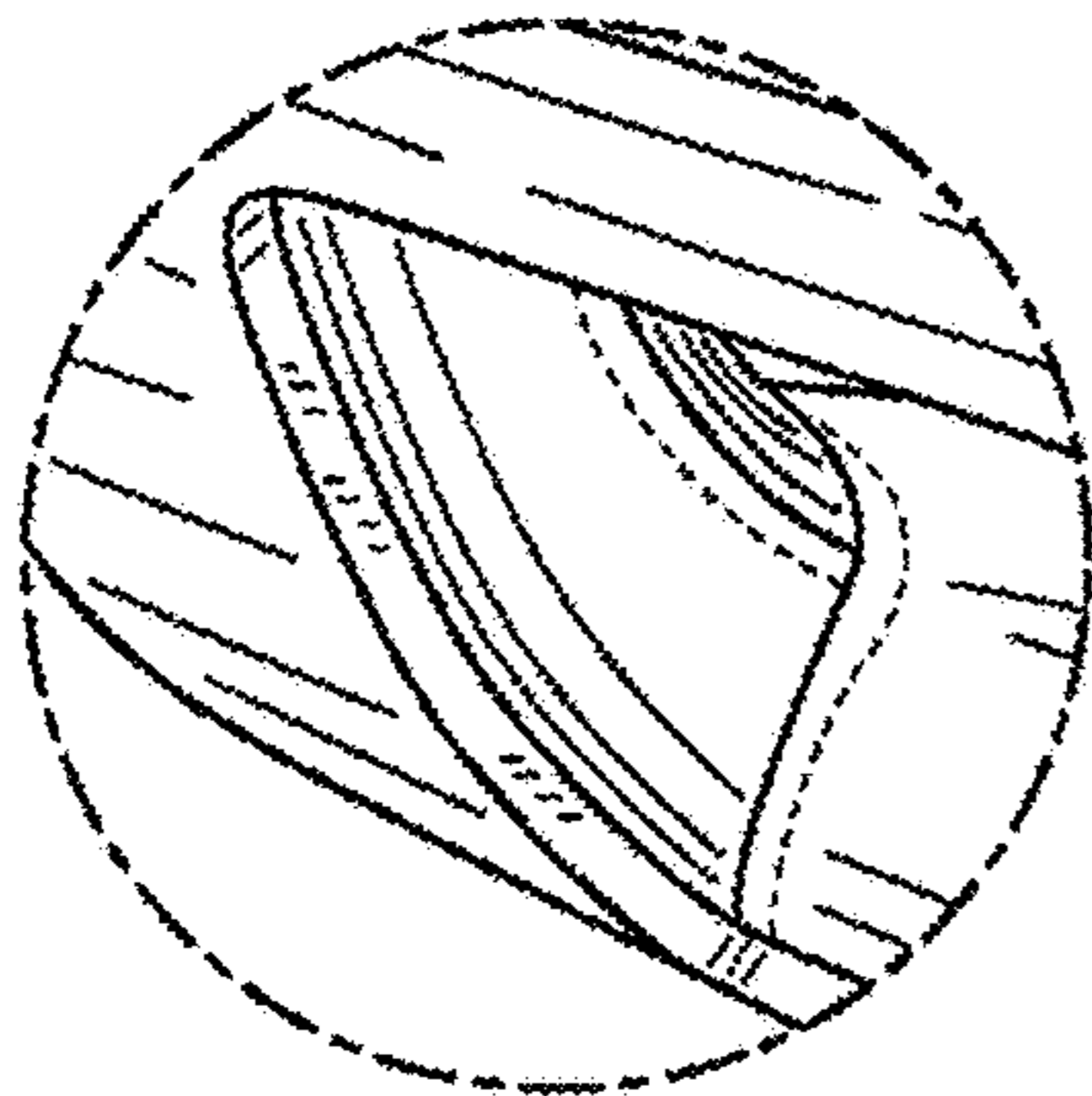


FIG. 4

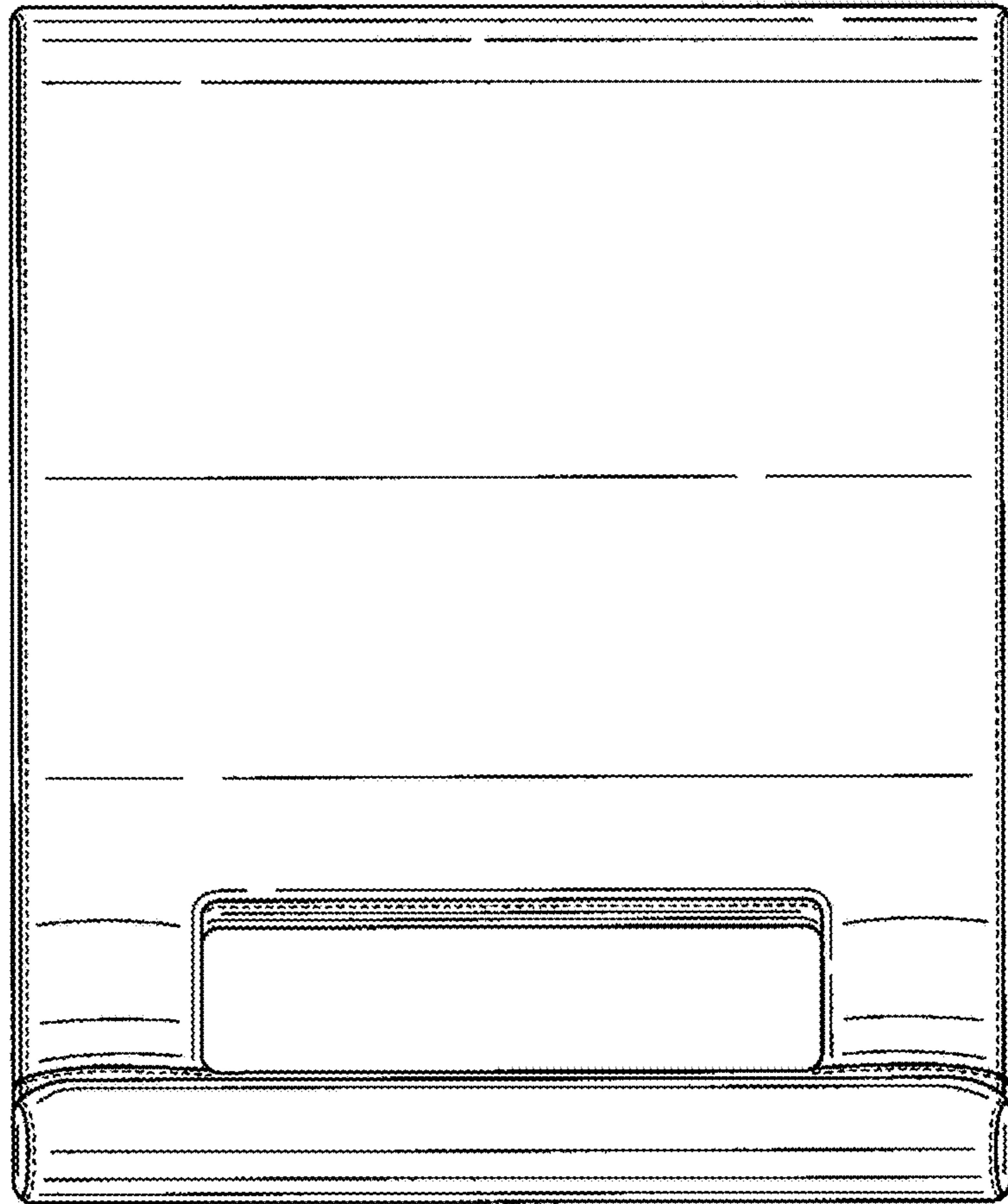


FIG. 5

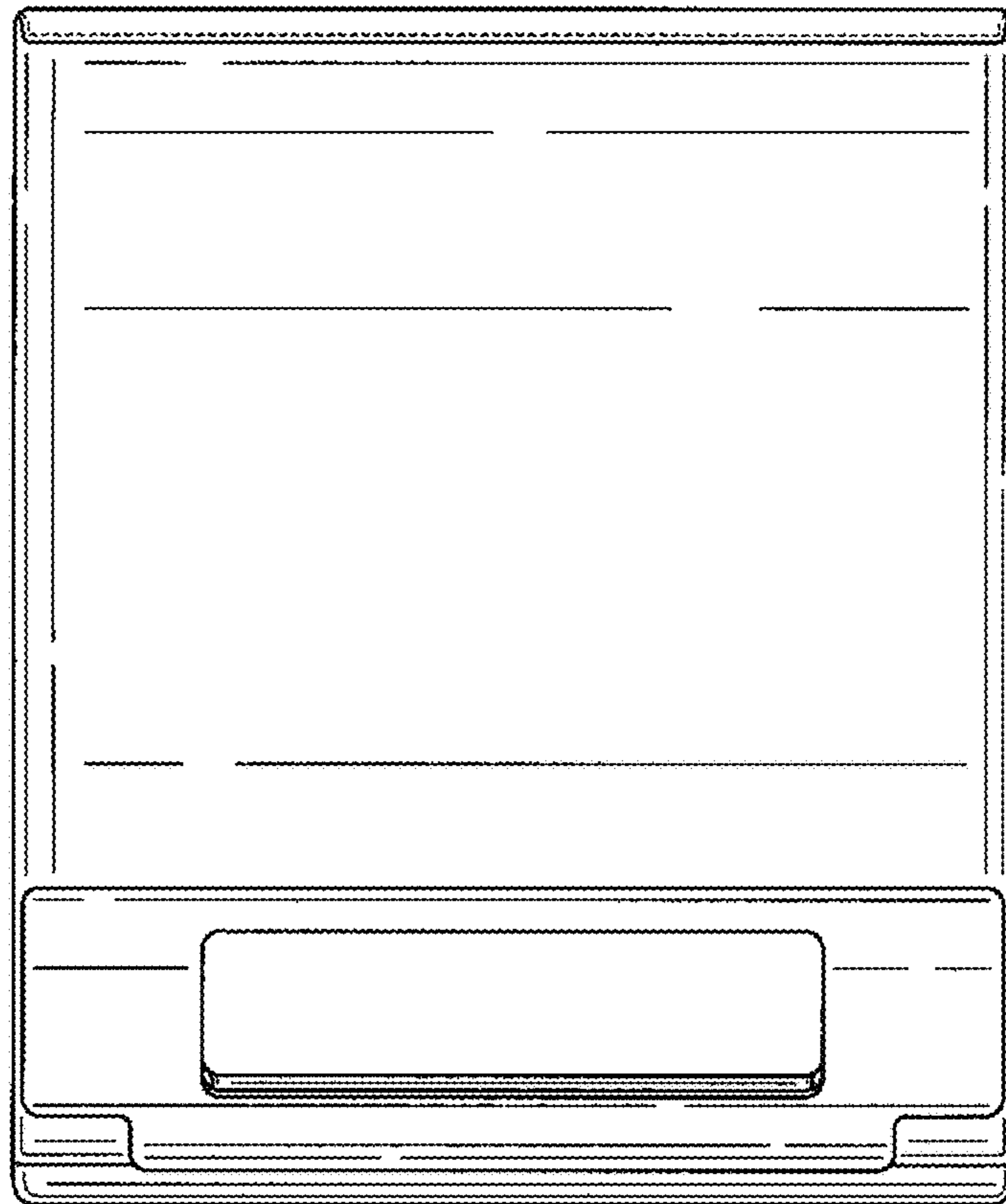


FIG.6

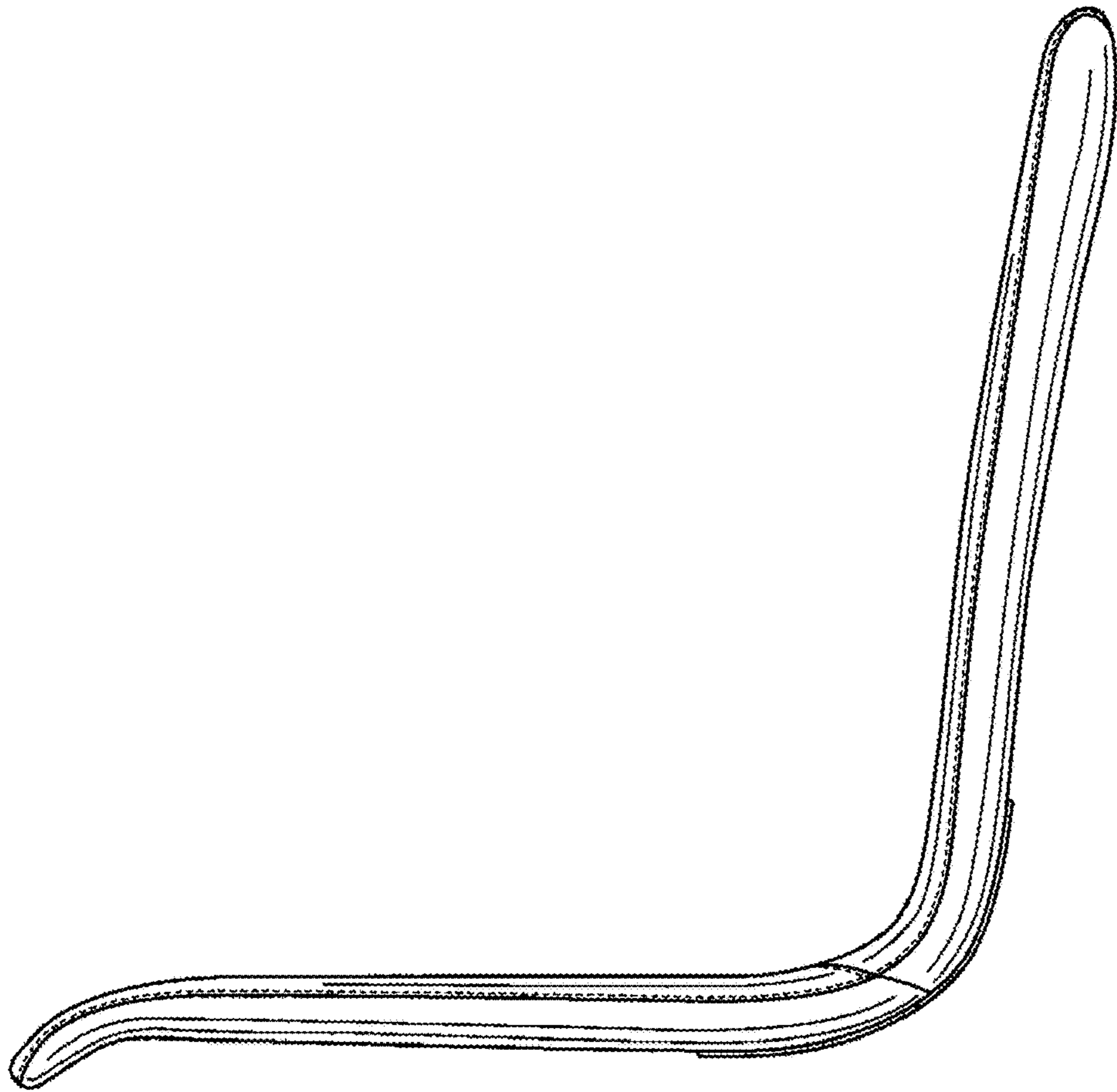


FIG.7

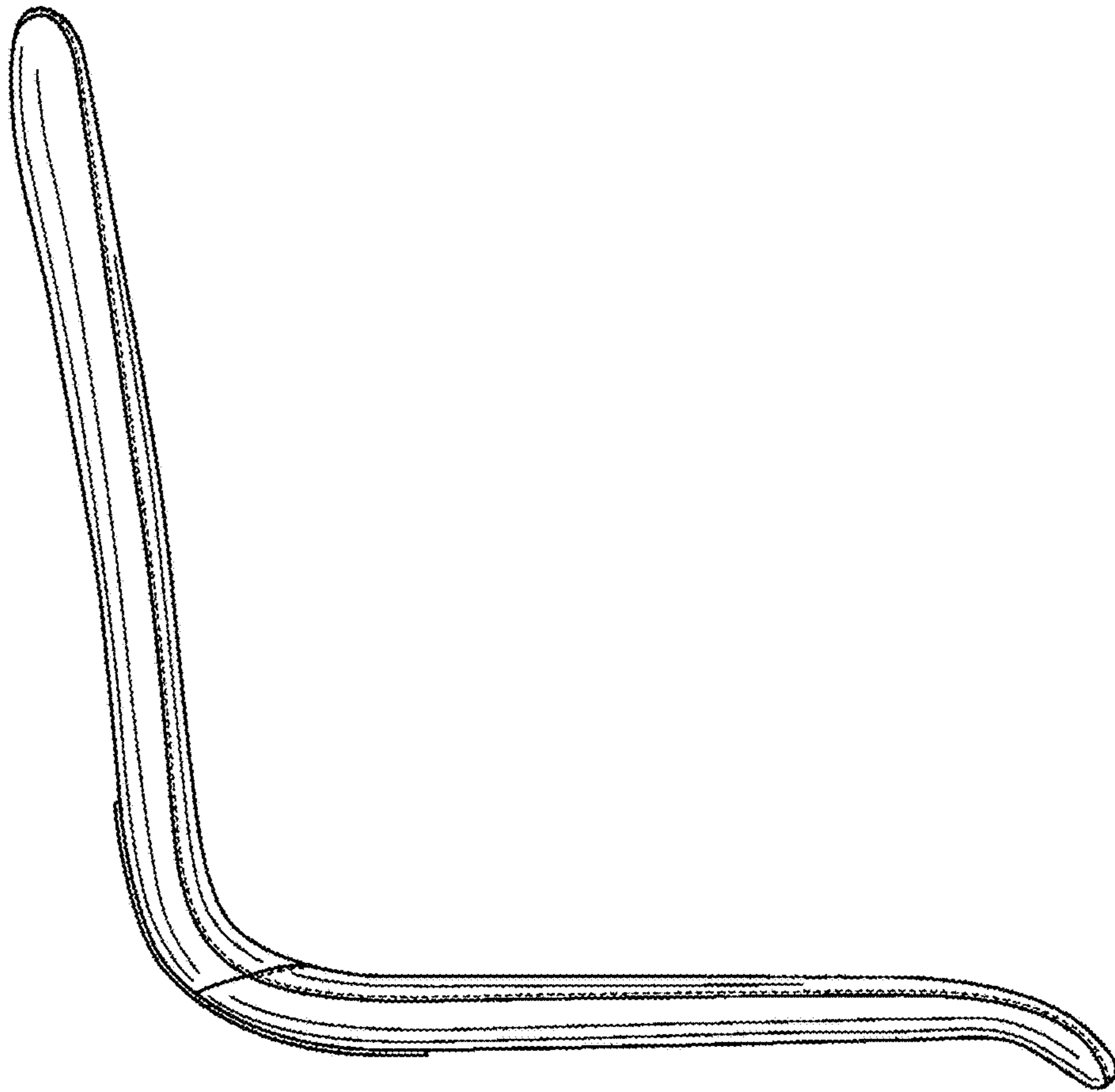


FIG.8

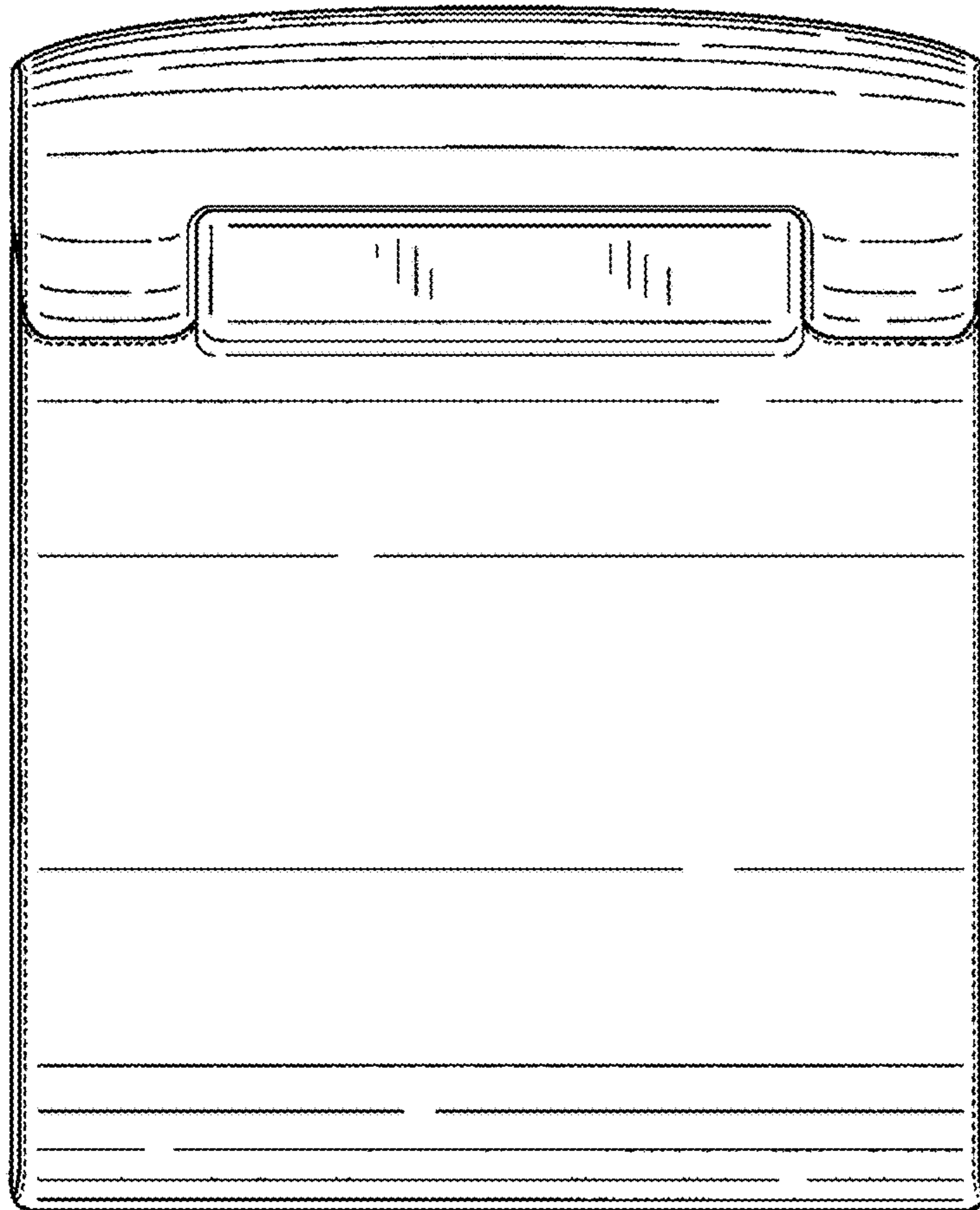


FIG. 9

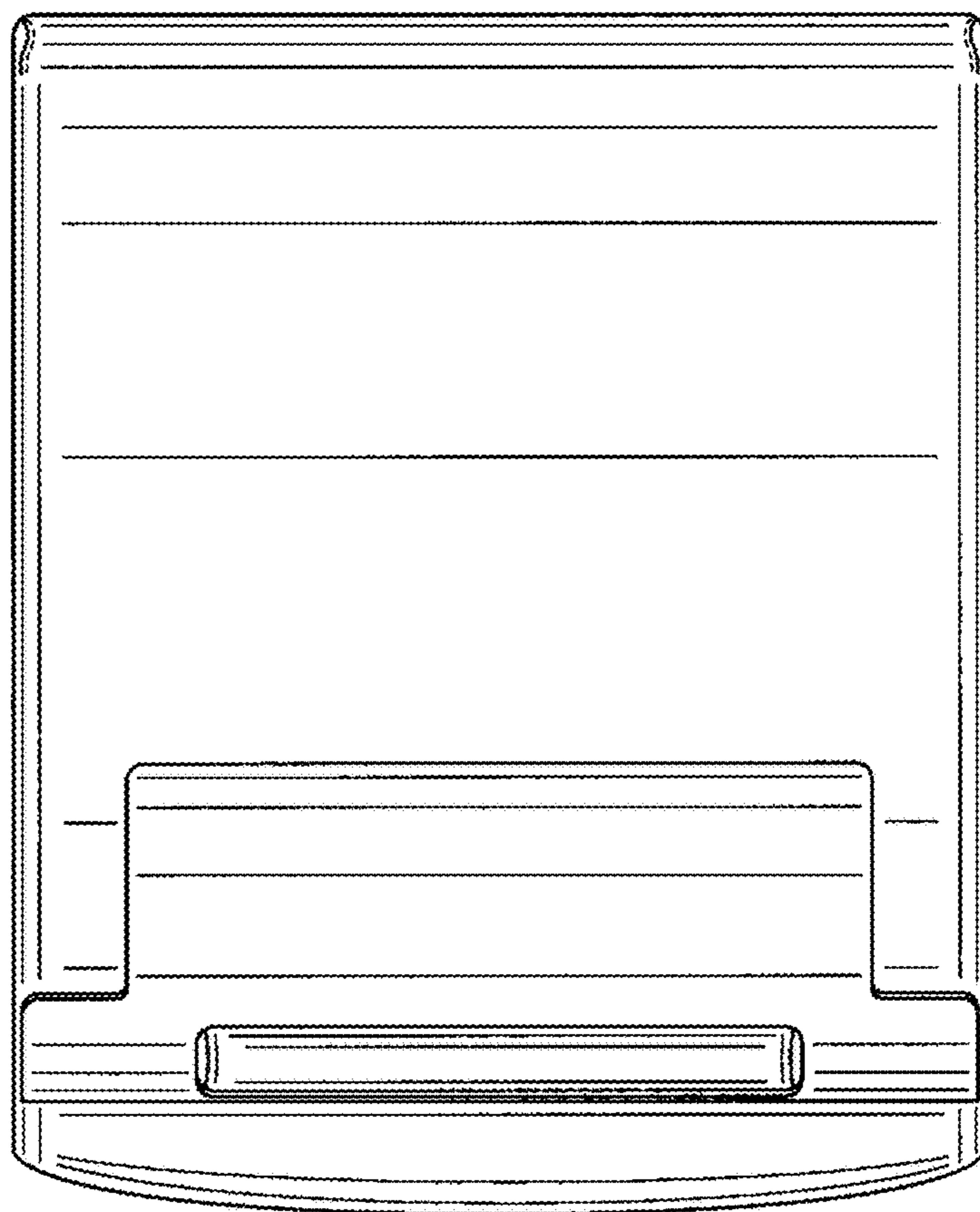


FIG.10