



US00D845688S

(12) **United States Design Patent**  
**Dibdin et al.**

(10) **Patent No.:** **US D845,688 S**  
(45) **Date of Patent:** **\*\* Apr. 16, 2019**

- (54) **DRAWER DIVIDER**
- (71) Applicants: **Steven Dibdin**, Bloomfield, NJ (US);  
**David Wight**, West Orange, NJ (US);  
**Daniel Juda**, Brooklyn, NY (US);  
**Edward Laganis**, Hoboken, NJ (US)
- (72) Inventors: **Steven Dibdin**, Bloomfield, NJ (US);  
**David Wight**, West Orange, NJ (US);  
**Daniel Juda**, Brooklyn, NY (US);  
**Edward Laganis**, Hoboken, NJ (US)
- (73) Assignee: **HELEN OF TROY LIMITED**, St.  
Michael (BB)
- (\*\*) Term: **15 Years**
- (21) Appl. No.: **29/606,376**
- (22) Filed: **Jun. 4, 2017**
- (51) **LOC (11) Cl.** ..... **06-04**
- (52) **U.S. Cl.**  
USPC ..... **D6/706**
- (58) **Field of Classification Search**  
USPC .... D6/705, 705.1, 705.2, 705.3, 705.7, 706;  
D3/297, 298  
CPC ..... A47B 57/58; A47B 57/585; A47B 88/00;  
A47B 88/90; A47F 5/00; A47F 5/005;  
A47F 5/0068; A47F 3/06  
See application file for complete search history.

6,991,307	B2 *	1/2006	Hoenig	.....	A47B 88/00	211/184
D596,431	S *	7/2009	Berger	.....	D6/706	
D664,794	S *	8/2012	Leveto	.....	D6/706	
8,317,040	B2 *	11/2012	Lanning	.....	A47B 88/00	108/60
D702,068	S *	4/2014	Mitten	.....	D6/706	
D707,994	S *	7/2014	Le	.....	D6/706	
D745,796	S *	12/2015	Zeidner	.....	D6/706	
D760,519	S *	7/2016	Le	.....	D6/706	
9,392,887	B2 *	7/2016	Nilsson	.....	A47B 57/58	
9,408,478	B2 *	8/2016	Vogler	.....	A47F 5/005	
D779,865	S *	2/2017	Bram	.....	D6/706	
D782,234	S *	3/2017	Schwartz	.....	D6/706	
D808,206	S *	1/2018	Zeidner	.....	D6/706	

\* cited by examiner

*Primary Examiner* — Mimosa De

(57) **CLAIM**

The ornamental design for a drawer divider, as shown, and described.

**DESCRIPTION**

FIG. 1 is a perspective view of the drawer divider;  
 FIG. 2 is a right side view of the drawer divider;  
 FIG. 3 is a left side view of the drawer divider;  
 FIG. 4 is a front view of the drawer divider (with the rear a mirror image thereof);  
 FIG. 5 is a top view of the drawer divider;  
 FIG. 6 is a bottom view of the drawer divider;  
 FIG. 7 is a perspective view of the drawer divider in a use environment; and,  
 FIG. 8 is a perspective view of the drawer divider in a collapsed position.

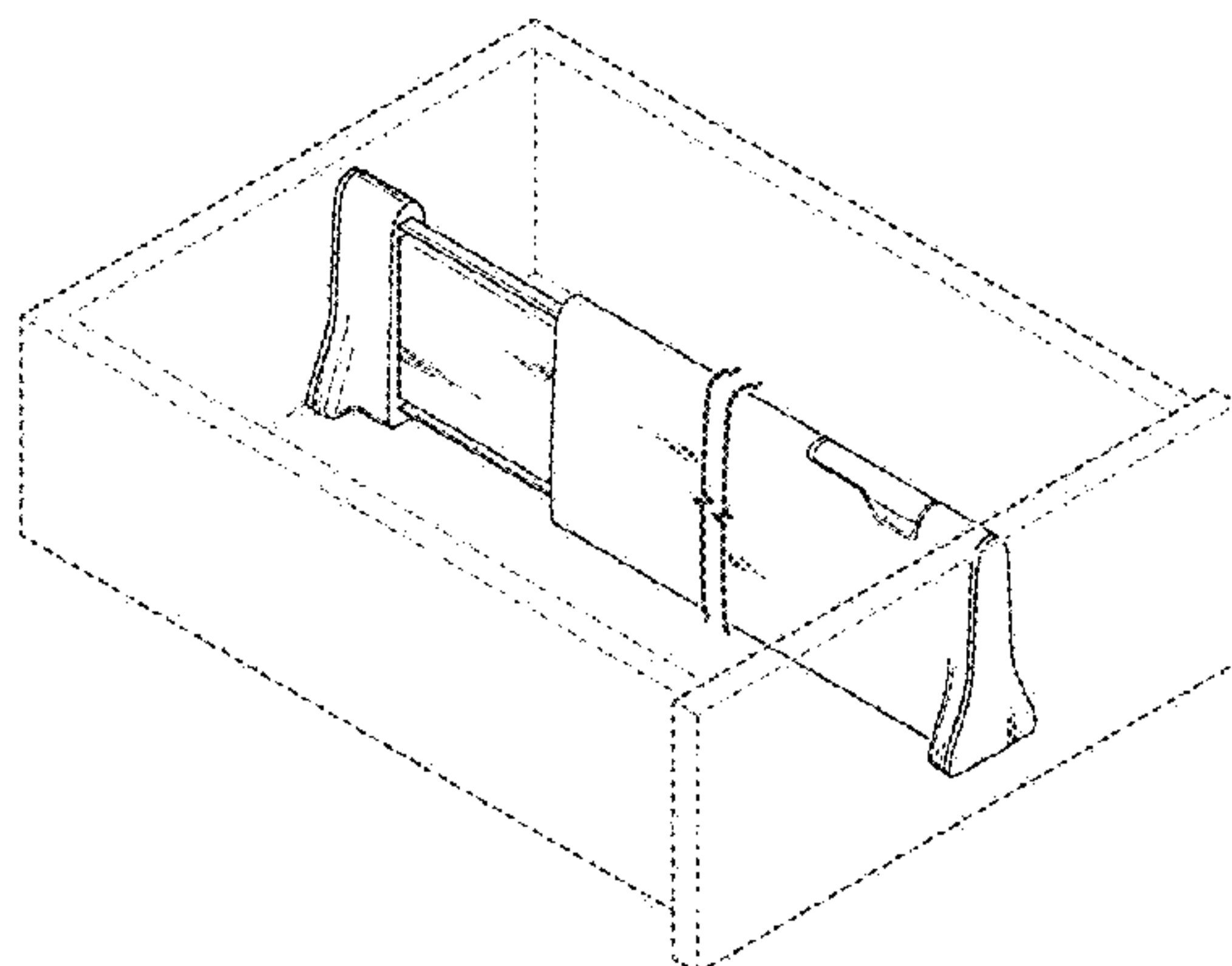
The sides of the claimed design are shown broken away to indicate indeterminate length. The broken lines depict environment and form no part of the claimed design. The broken away symbols in the drawings indicate the appearance of any portion of the article between the break lines forms no part of the claimed design.

**1 Claim, 8 Drawing Sheets**

(56) **References Cited**

U.S. PATENT DOCUMENTS

5,607,215	A *	3/1997	Pacetti	.....	A47B 88/90	312/348.3
5,803,276	A *	9/1998	Vogler	.....	A47F 5/005	211/184
5,971,173	A *	10/1999	Valiulis	.....	A47F 5/005	211/184
D473,080	S *	4/2003	Kellogg	.....	D6/706	
D495,539	S *	9/2004	Sjoberg	.....	D6/706	



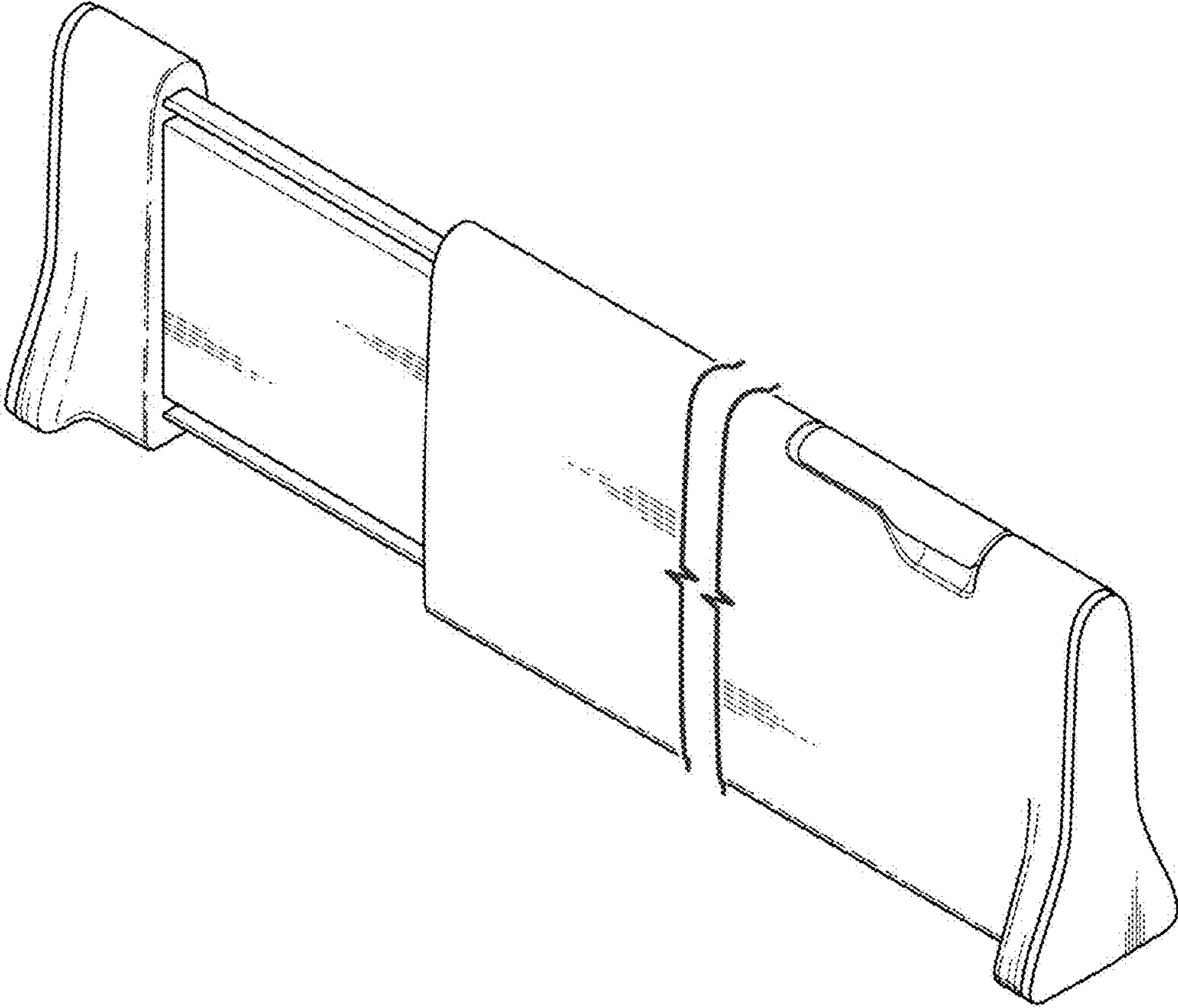


FIG. 1

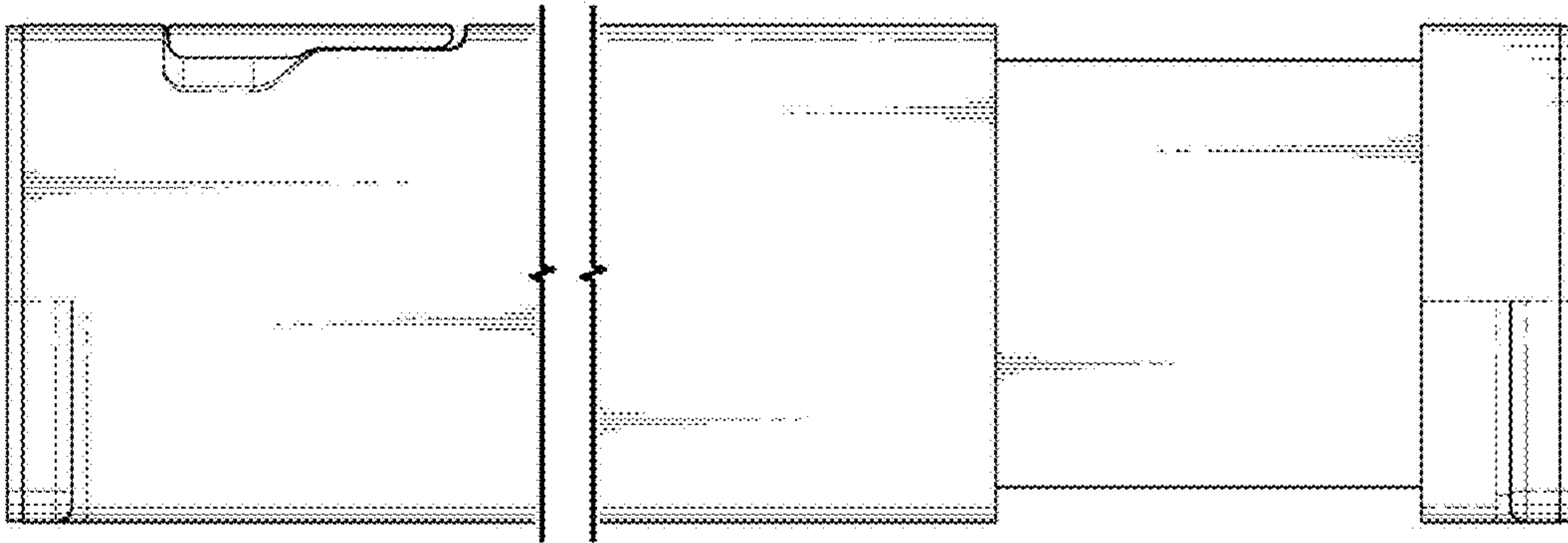


FIG. 2

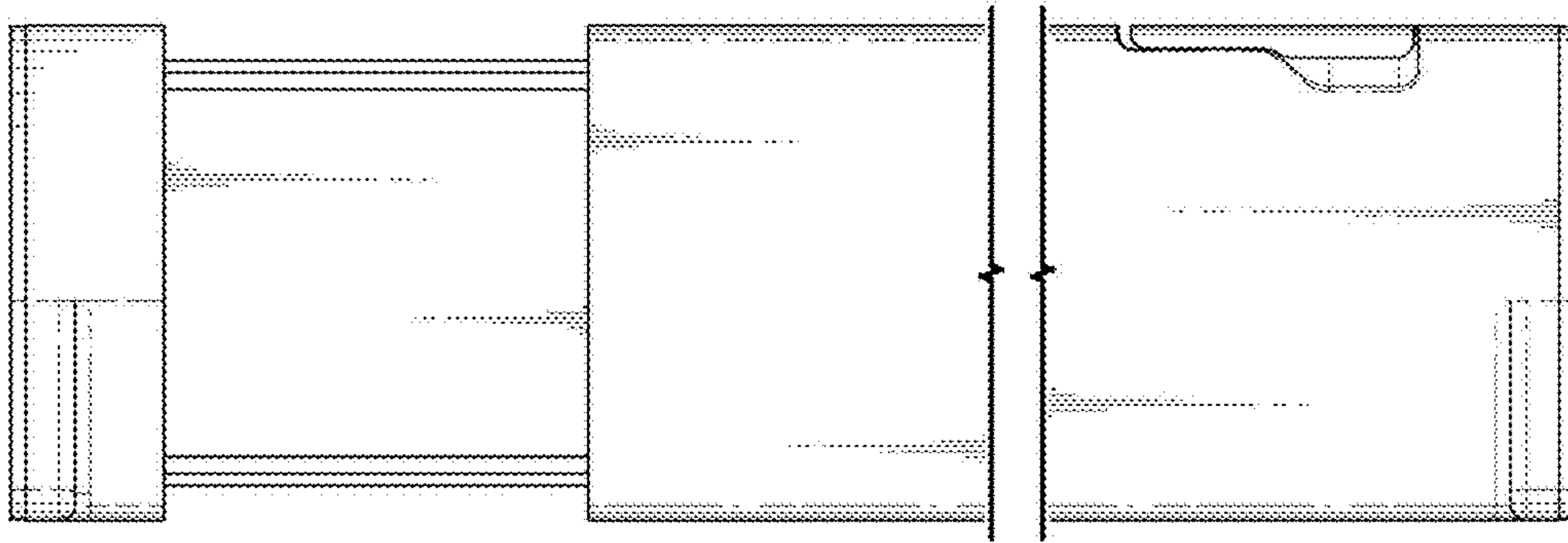


FIG. 3

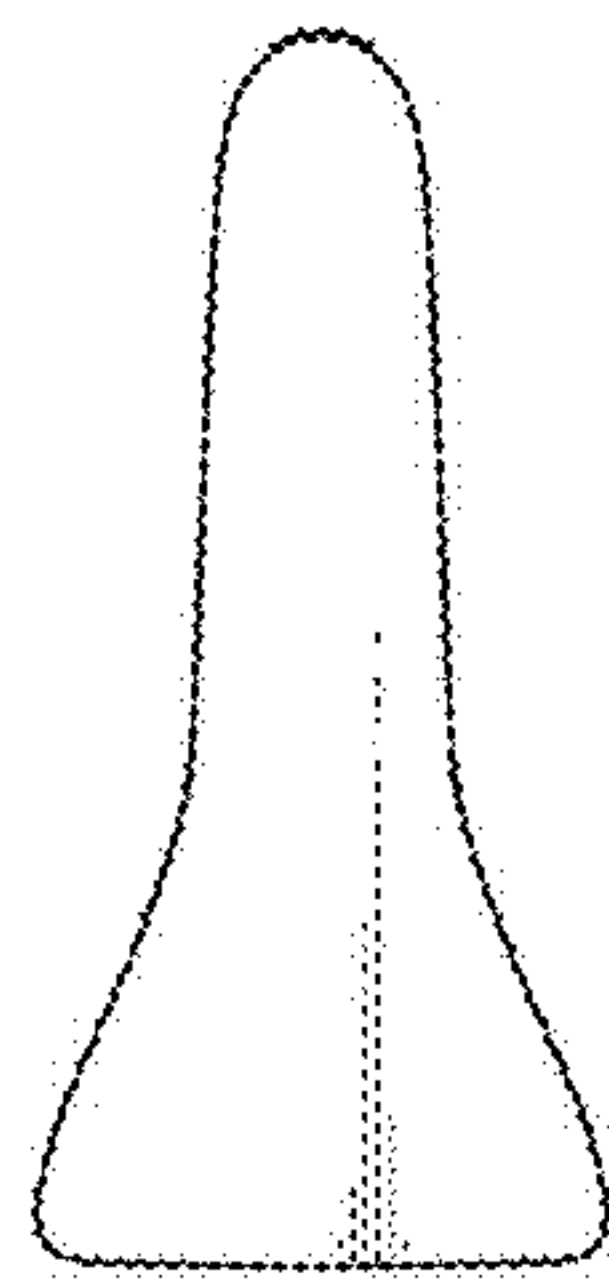


FIG. 4

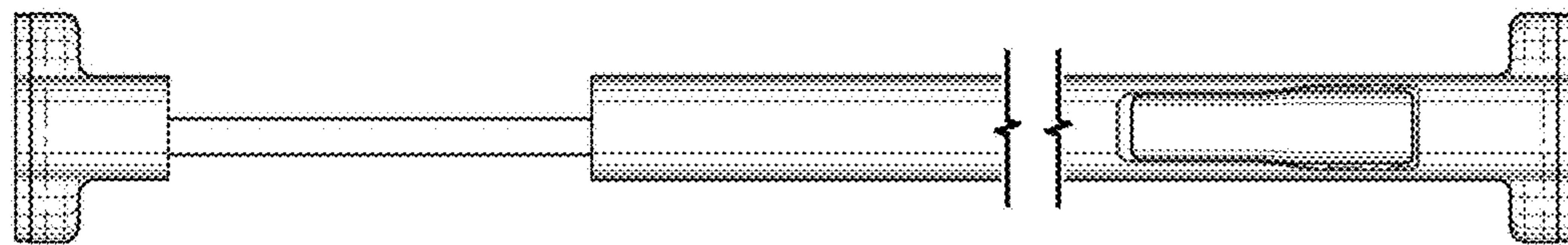


FIG. 5

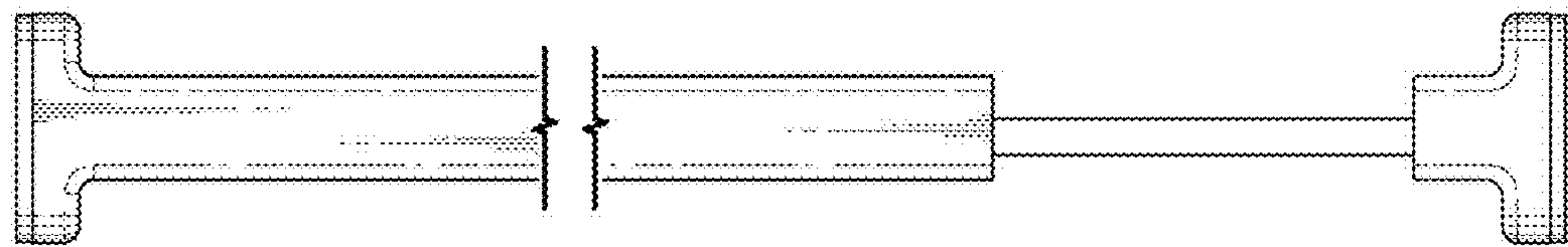


FIG. 6

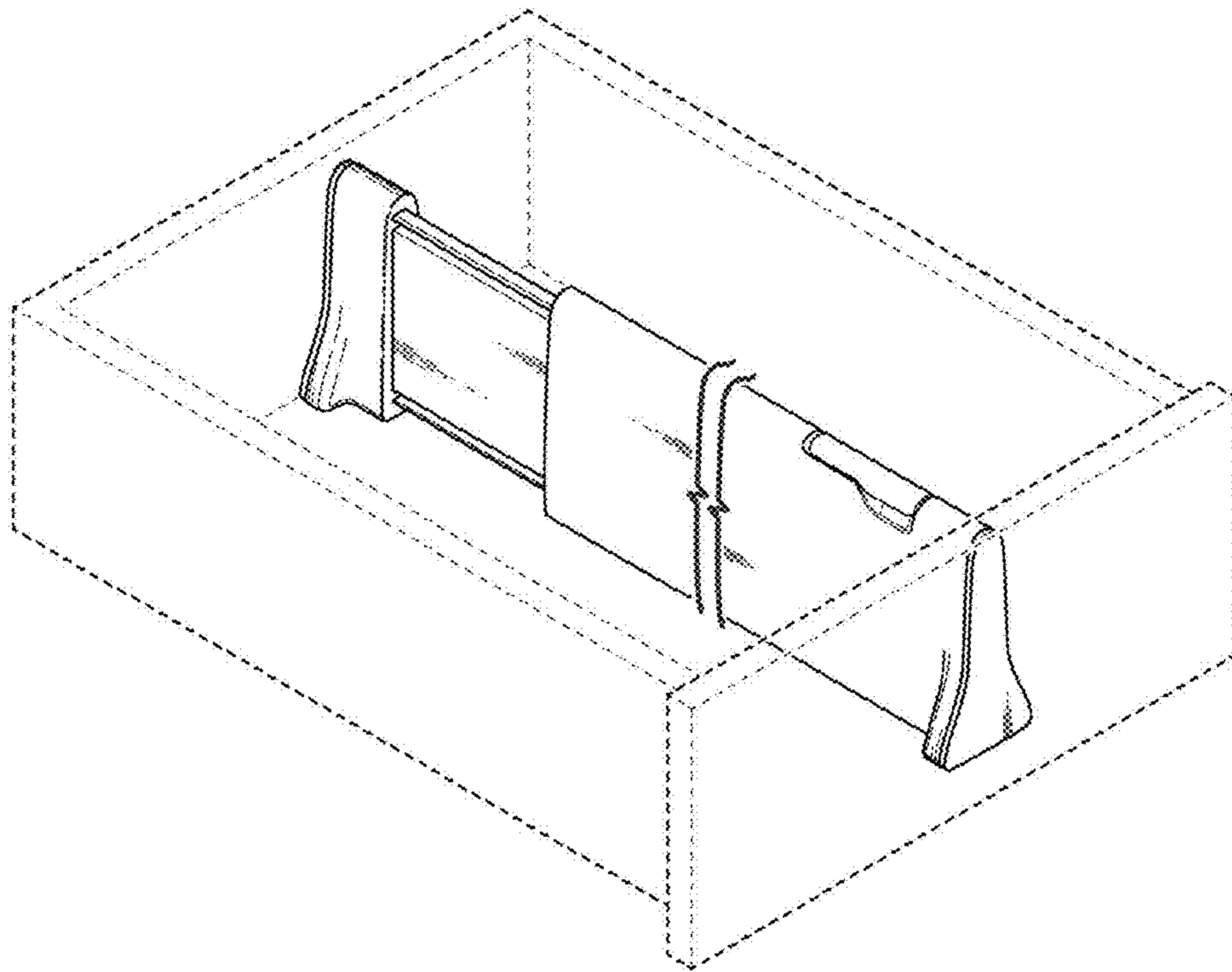


FIG. 7



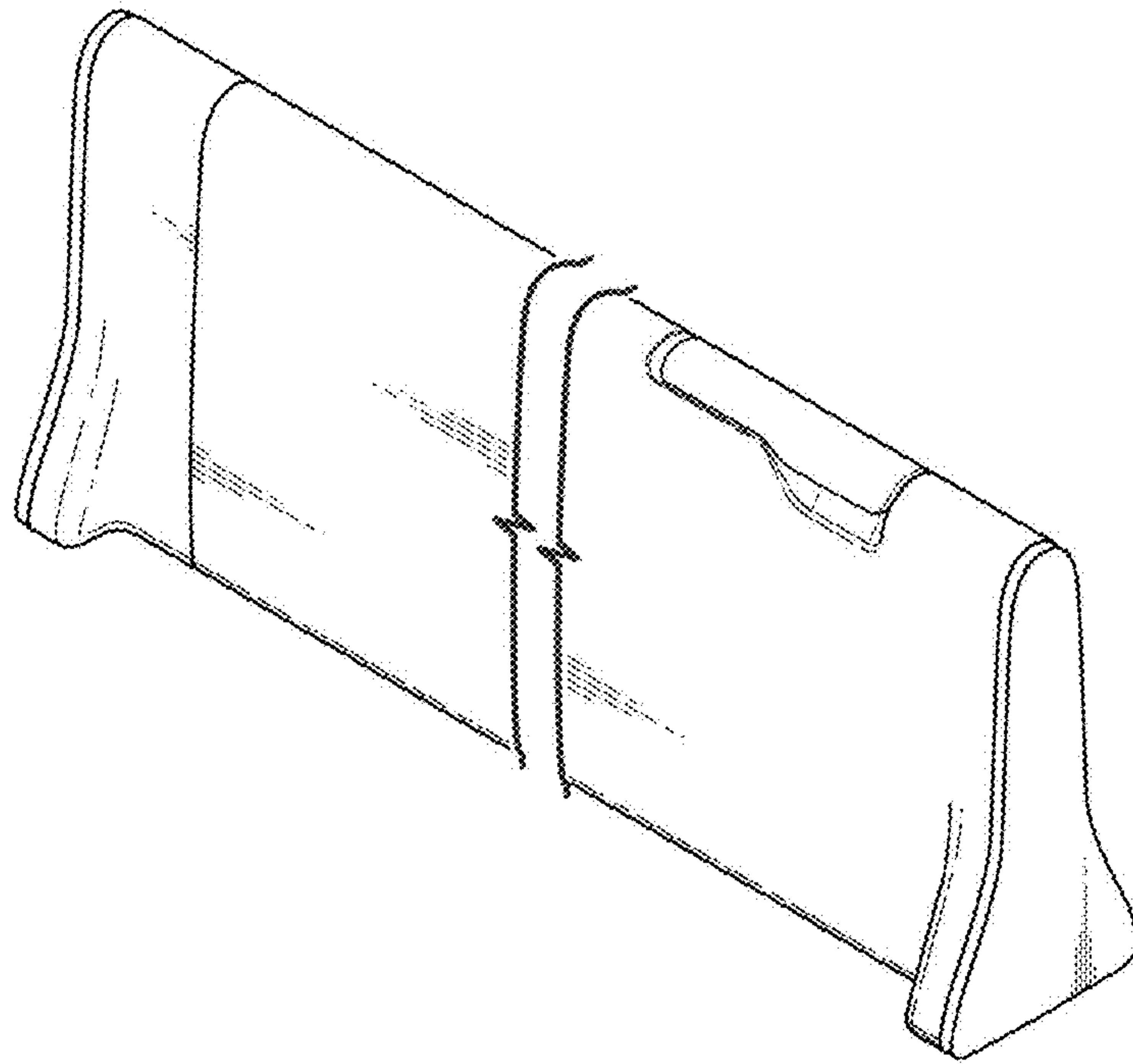


FIG. 8