

US00D845687S

(12) **United States Design Patent** (10) **Patent No.:** **US D845,687 S**
Golias et al. (45) **Date of Patent:** **** Apr. 16, 2019**

(54) **SHELF WITH REINFORCEMENT RIBS**
(71) Applicant: **METAL FABRICATING CORPORATION**, Cleveland, OH (US)

D790,267 S * 6/2017 Daw D6/705
D816,372 S * 5/2018 Berkowitz D6/567
D821,113 S * 6/2018 Kim D6/574
D823,622 S * 7/2018 Nilsson D6/704

(72) Inventors: **Robert J. Golias**, Solon, OH (US);
Gary W. James, Parma Heights, OH (US);
Bernard J. Golias, Jr., Twinsburg, OH (US)

OTHER PUBLICATIONS

Photograph, Sep. 7, 2016, Date of Shelf Unknown.

* cited by examiner

(73) Assignee: **Metal Fabricating Corporation**, Cleveland, OH (US)

Primary Examiner — Kelley A Donnelly

(74) *Attorney, Agent, or Firm* — Fay Sharpe LLP; James E. Scarbrough

(**) Term: **15 Years**

(57) **CLAIM**

The ornamental design for a shelf with reinforcement ribs, as shown and described.

(21) Appl. No.: **29/578,388**

(22) Filed: **Sep. 21, 2016**

DESCRIPTION

(51) **LOC (11) Cl.** **06-06**

(52) **U.S. Cl.**
USPC **D6/705**

(58) **Field of Classification Search**
USPC D6/641–642, 653, 653.1, 655, 698, 705,
D6/705.2, 706; D19/75, 86, 90
CPC A47B 43/00; A47B 46/00; A47B 46/005
See application file for complete search history.

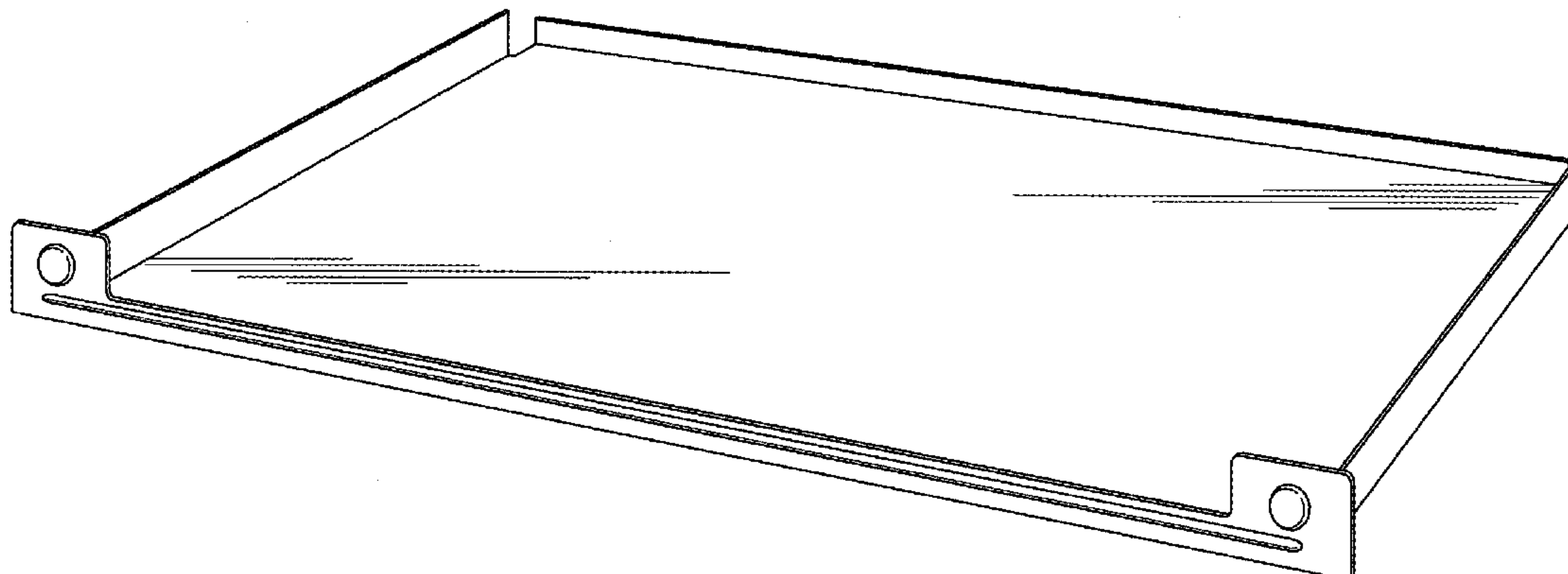
FIG. 1 is a top perspective view of a first embodiment of the shelf with reinforcement ribs in accordance with one aspect of our new design;
FIG. 2 is a front elevational view of the first embodiment of the shelf with reinforcement ribs;
FIG. 3 is a rear elevational view of the first embodiment of the shelf with reinforcement ribs;
FIG. 4 is a right side elevational view of the first embodiment of the shelf with reinforcement ribs, with a left side elevational view being a mirror image thereof;
FIG. 5 is a top plan view of the first embodiment of the shelf with reinforcement ribs;
FIG. 6 is a bottom plan view of the first embodiment of the shelf with reinforcement ribs;
FIG. 7 is a top perspective view of a second embodiment of the shelf with reinforcement ribs in accordance with another aspect of our new design; and,
FIG. 8 is a top perspective view of a third embodiment of the shelf with reinforcement ribs in accordance with another aspect of our new design.

(56) **References Cited**

U.S. PATENT DOCUMENTS

D311,469 S * 10/1990 Miller D6/705
D323,091 S * 1/1992 Boschetto D6/574
D428,742 S * 8/2000 Roberts D6/513
D541,563 S * 5/2007 LaBonia, Jr. D6/705
D643,656 S * 8/2011 Golias, Sr. D6/705
D660,059 S * 5/2012 Nilsson D6/705
D707,067 S * 6/2014 Basarich D6/705
8,960,823 B2 2/2015 Golias et al.
D724,876 S * 3/2015 Gokhale D6/705
D778,648 S * 2/2017 Johnson D6/705.7
D789,712 S * 6/2017 Bashkin D6/671
D789,718 S * 6/2017 Gokhale D6/705

1 Claim, 6 Drawing Sheets



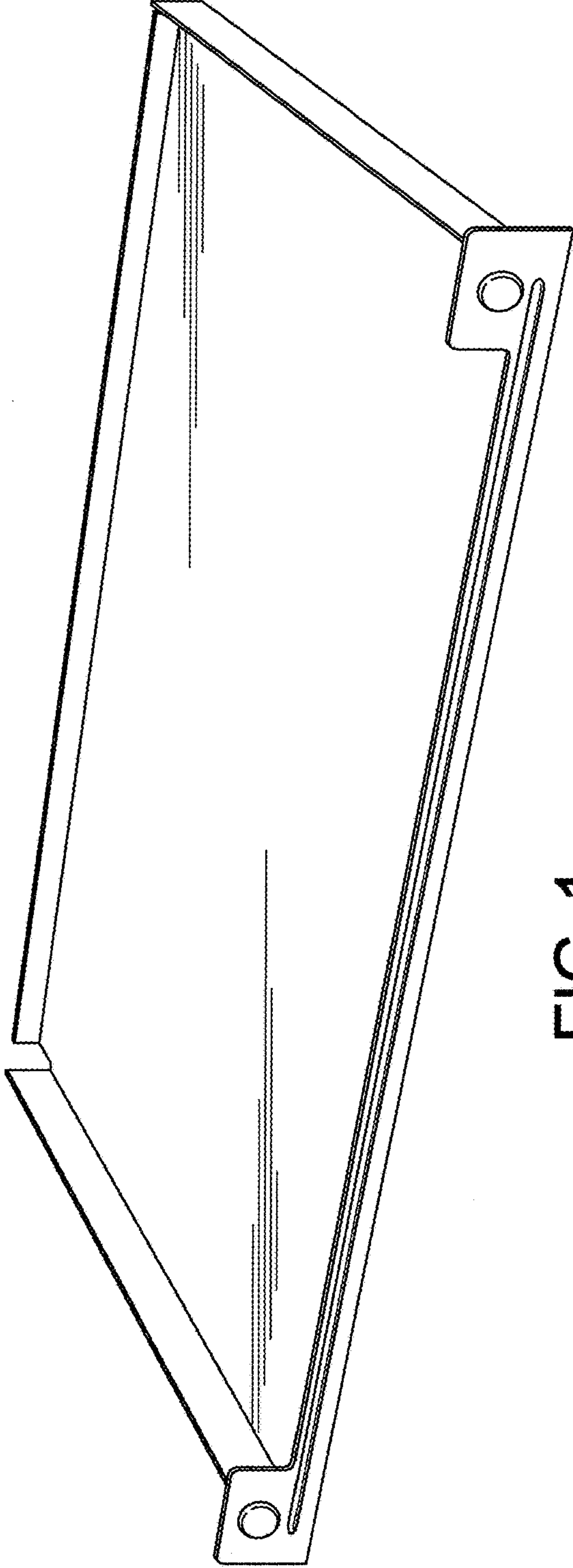


FIG. 1

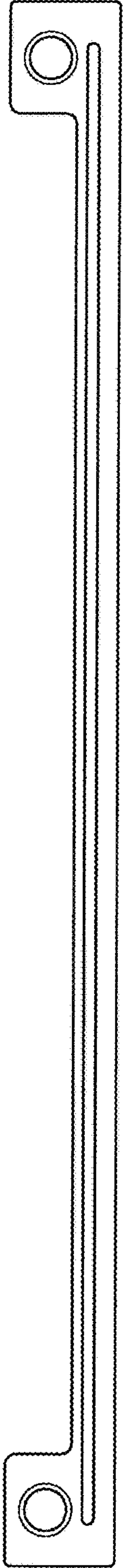


FIG. 2



FIG. 3



FIG. 4

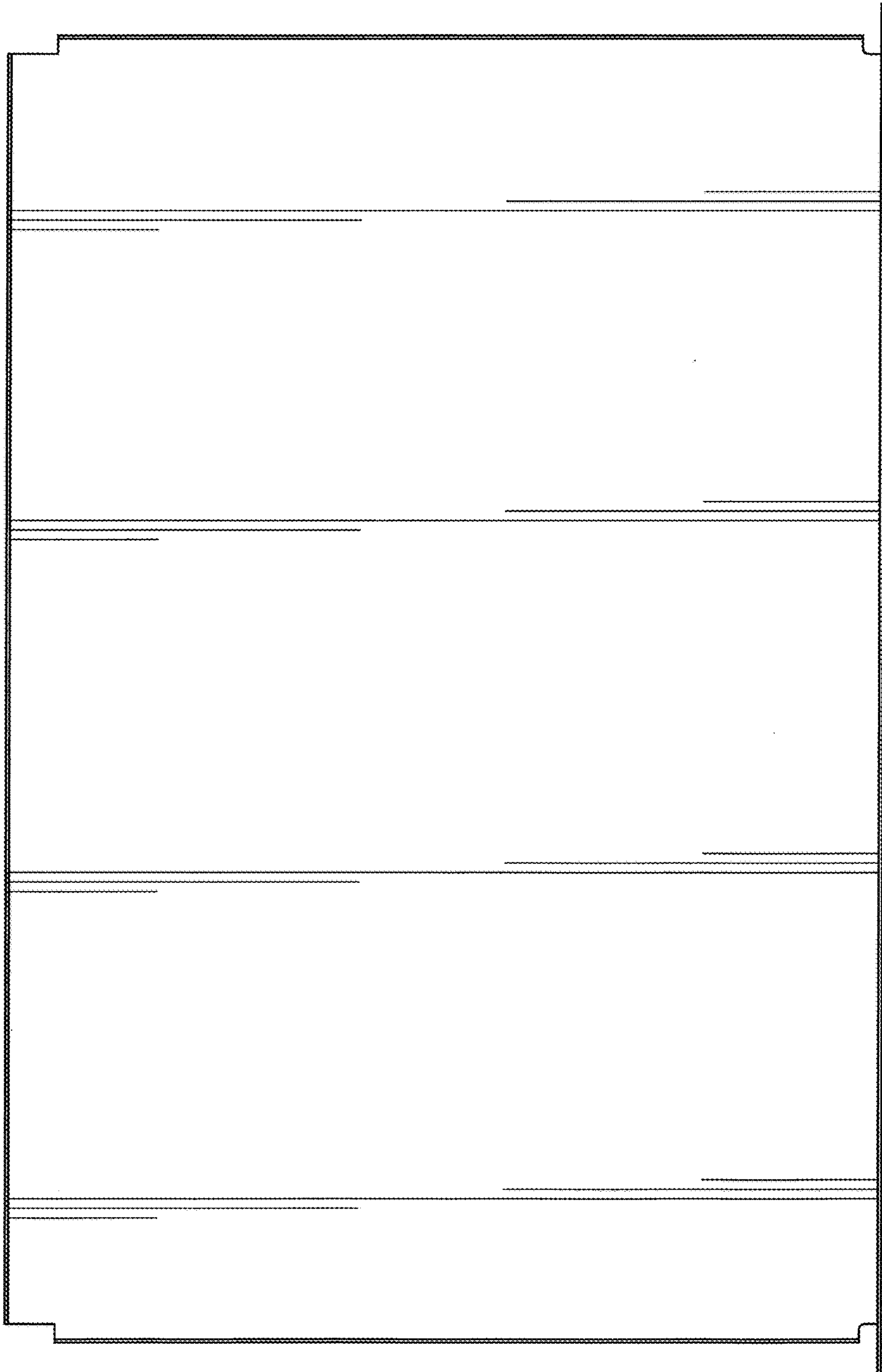


FIG. 5

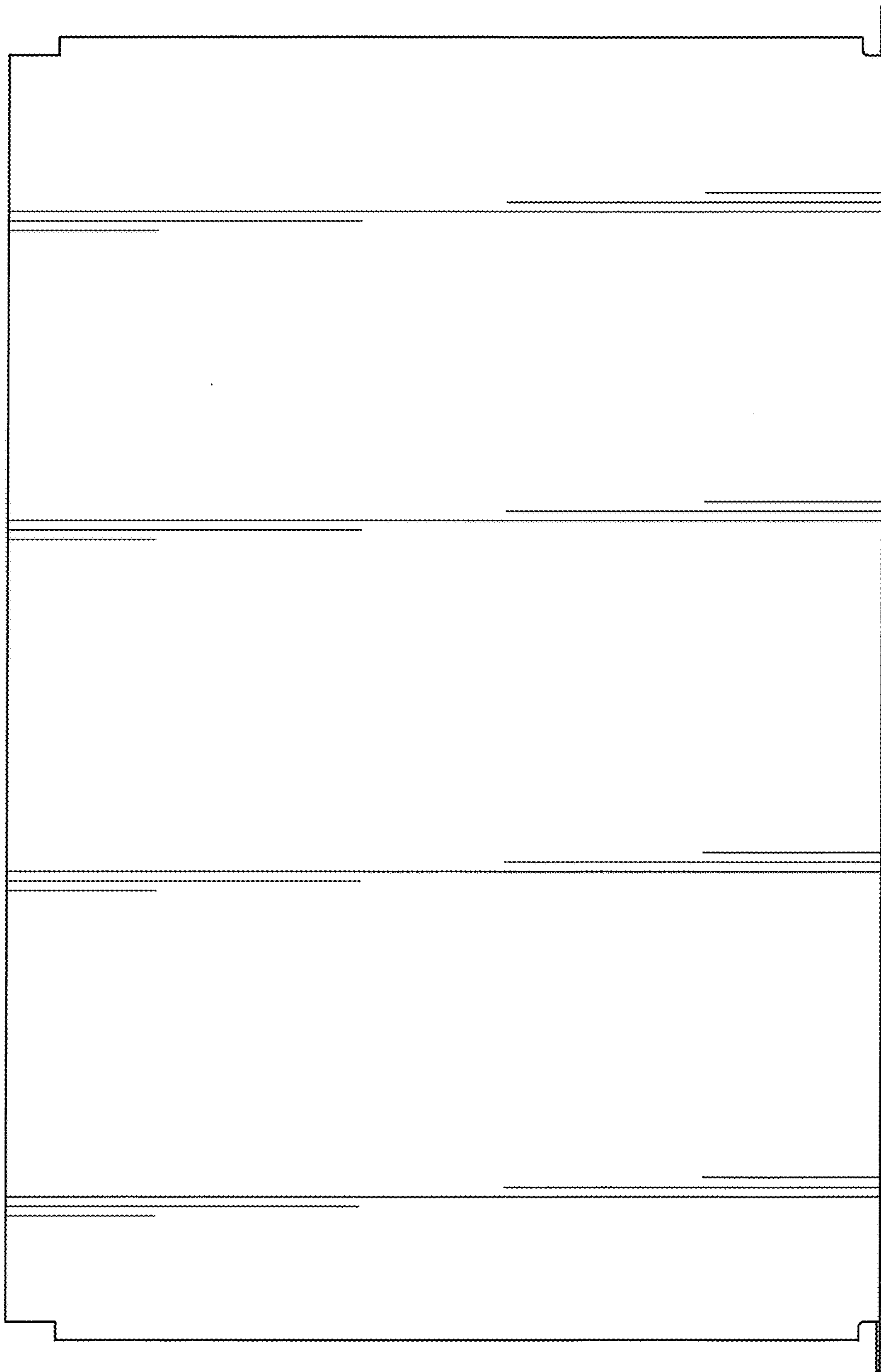


FIG. 6

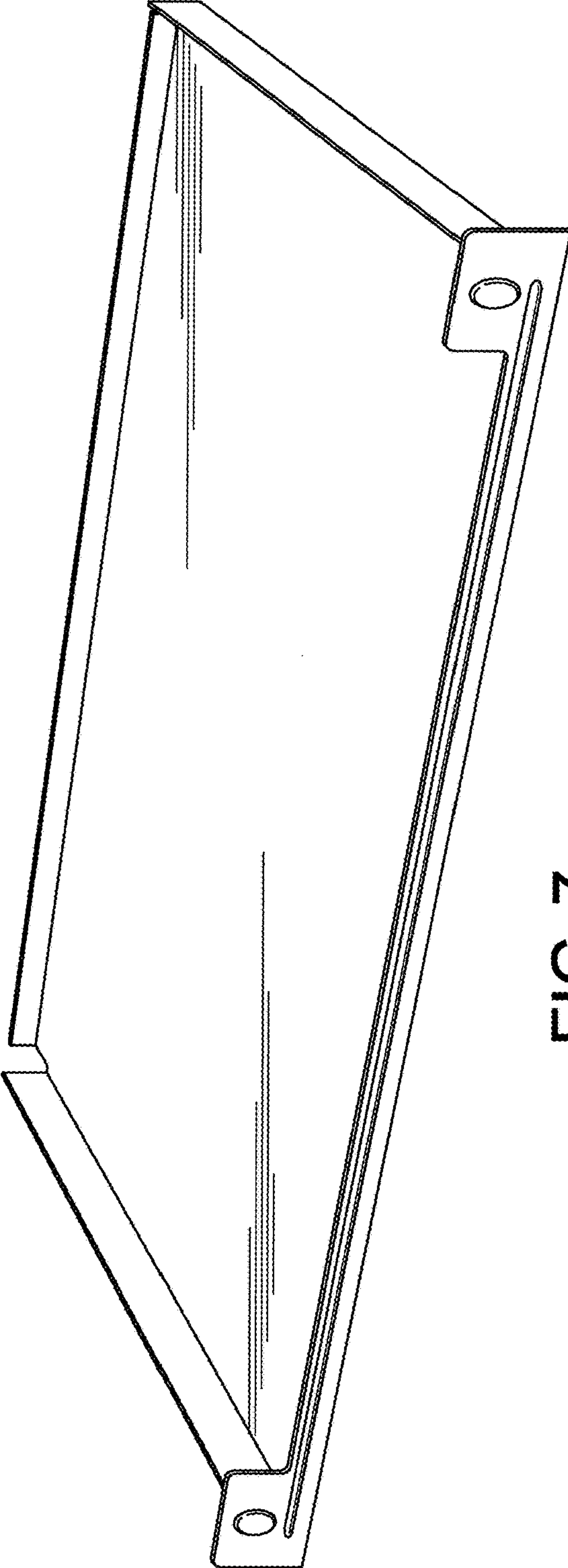


FIG. 7

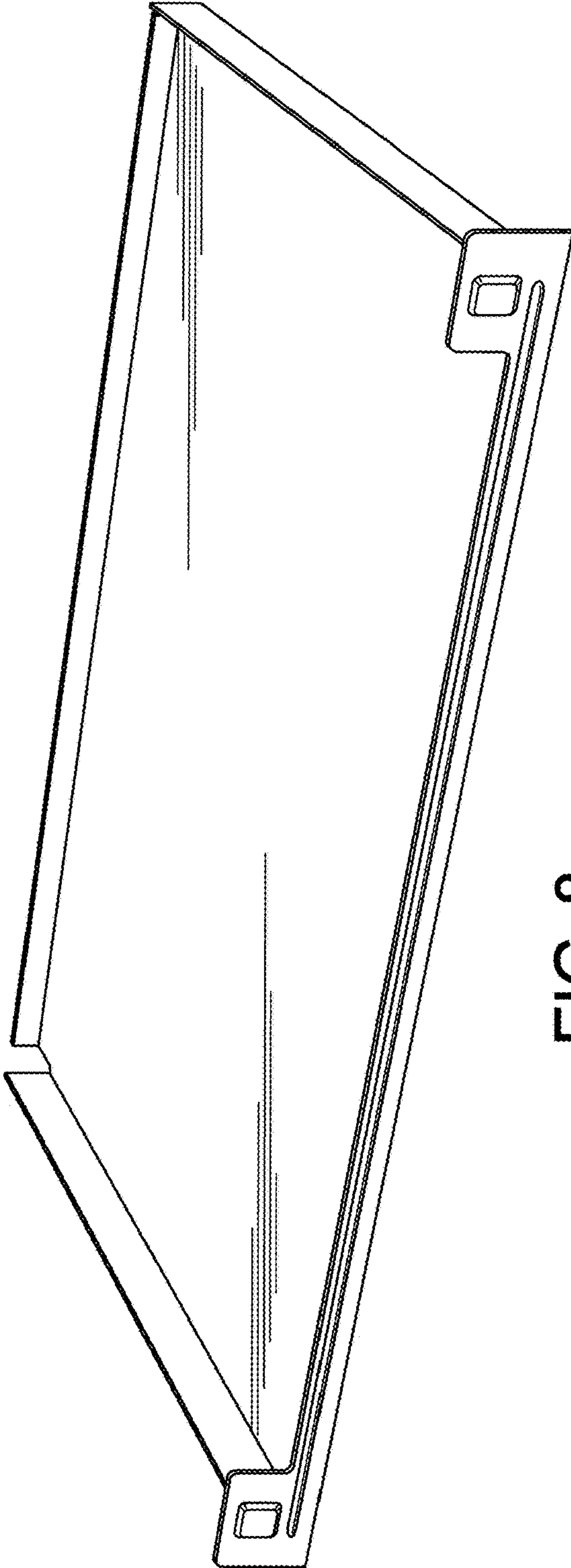


FIG. 8