



US00D845685S

(12) **United States Design Patent** (10) **Patent No.:** **US D845,685 S**
Everson et al. (45) **Date of Patent:** **** Apr. 16, 2019**

(54) **DINING TABLE**

- (71) Applicant: **Ashley Furniture Industries, Inc.**,
Arcadia, WI (US)
- (72) Inventors: **Terry Everson**, Blair, WI (US); **Randy Domack**, Holmen, WI (US); **Craig Bacon**, Trempealeau, WI (US)
- (73) Assignee: **ASHLEY FURNITURE INDUSTRIES, INC.**, Arcadia, WI (US)
- (**) Term: **15 Years**
- (21) Appl. No.: **29/657,647**
- (22) Filed: **Jul. 24, 2018**

Related U.S. Application Data

- (63) Continuation of application No. 29/600,173, filed on Apr. 10, 2017, now Pat. No. Des. 823,621.
- (51) **LOC (11) Cl.** **06-03**
- (52) **U.S. Cl.**
USPC **D6/691**
- (58) **Field of Classification Search**
USPC D6/641, 657, 685, 689, 690, 691, 691.1, D6/691.2, 691.3, 691.4, 691.5, 691.6, D6/691.7, 691.8, 691.9, 702, 703.1, D6/703.4, 707.15
CPC A47D 9/005; A47D 13/06; A47D 13/061; A47D 13/063; A63H 33/008; A63H 3/52; E04H 15/40; E04H 15/20; E04H 15/006; Y10T 29/49826; A47B 37/00; A47B 3/00; A47B 1/00; A47B 3/06; A47B 3/08; A47B 7/00; A47B 21/00; A47B 23/00; A47B 25/00; A47B 13/08; A47B 3/083; A47B 3/14; A47B 41/00; A47B 17/00; A47B 3/0809; A47B 3/0812; A47B 2013/026; A47B 2200/03; A47B 2200/00; A47B 2003/0821; A47C 3/045

See application file for complete search history.

(56) **References Cited**

U.S. PATENT DOCUMENTS

D376,711 S	12/1996	Harris	
D432,813 S *	10/2000	Hazen	D6/668.2
D441,565 S	5/2001	Cain	
D444,313 S *	7/2001	Hutton	D6/691
D459,612 S *	7/2002	Vaaler	D6/691.3
D512,858 S *	12/2005	Katz	D6/691
D519,758 S	5/2006	Katz et al.	
D530,545 S	10/2006	Domack et al.	
D546,503 S *	7/2007	Kreiss	D6/653
D552,889 S *	10/2007	Domack	D6/688.11

(Continued)

OTHER PUBLICATIONS

D647-25-SW, posted at Furniturealldirect.com, posted on Dec. 5, 2016, site visited Feb. 15, 2018. online, available from internet: <http://cdn.furniturealldirect.com/www.furniturealldirect.com/furnitureallv2/server/web/product/ashley/thumbnails/0647-25-SW.jpg>.

Primary Examiner — Mary Ann Calabrese

Assistant Examiner — Catherine Ho

(74) *Attorney, Agent, or Firm* — McAndrews, Held & Malloy, Ltd.

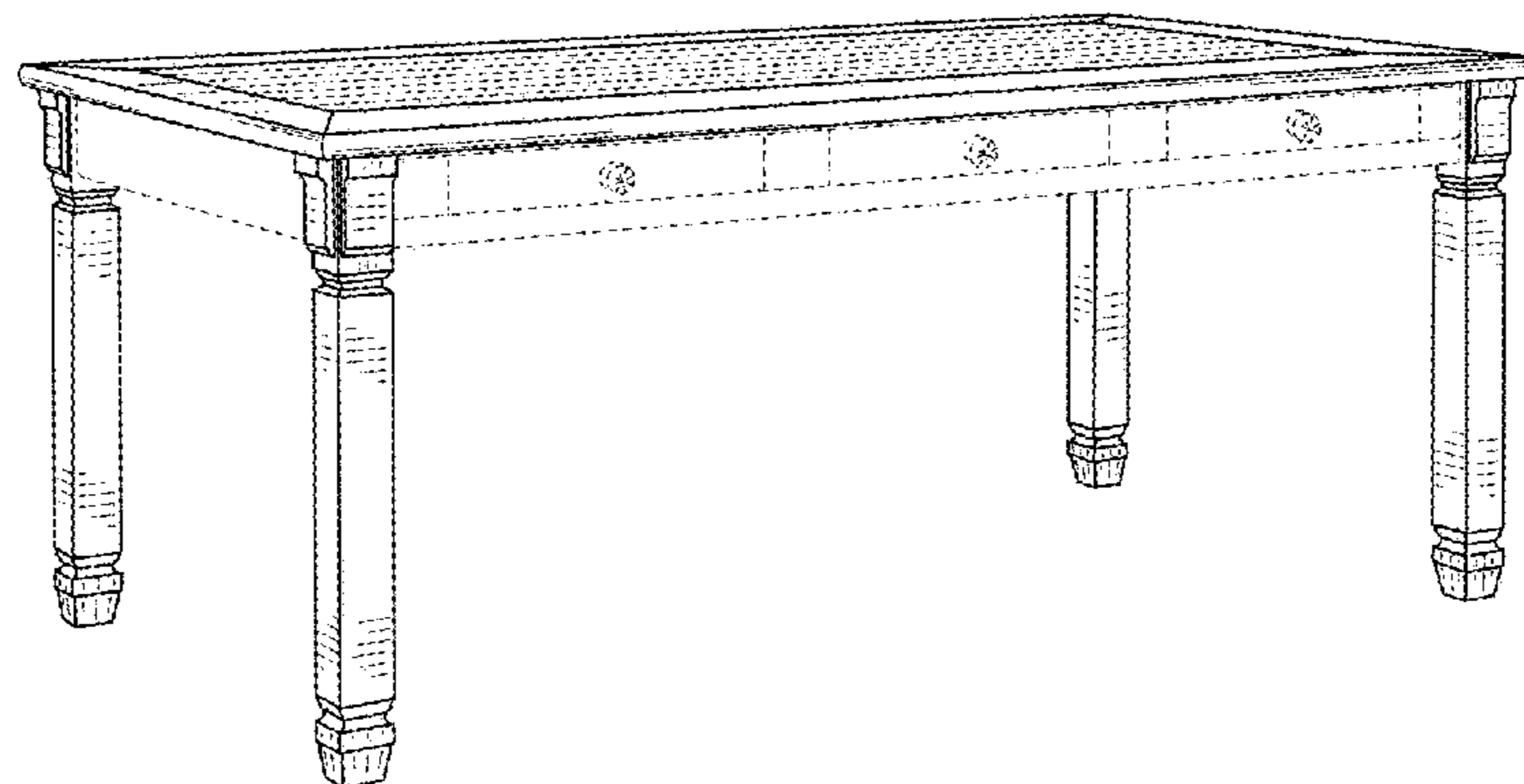
(57) **CLAIM**

The ornamental design for a dining table, as shown and described.

DESCRIPTION

FIG. 1 is a front perspective view of a dining table showing our new design;
FIG. 2 is a front elevation view thereof;
FIG. 3 is a rear elevation view thereof;
FIG. 4 is a right side elevation view thereof, the left side elevation view being a mirror image thereof; and,
FIG. 5 is a top plan view thereof.
The dashed broken lines in the figures illustrate portions of the dining table that form no part of the claimed design.

1 Claim, 4 Drawing Sheets



(56)

References Cited

U.S. PATENT DOCUMENTS

D552,891 S * 10/2007 Everson D6/691.1
D558,488 S * 1/2008 Domack D6/691.1
D584,072 S 1/2009 Mohundro
D588,831 S 3/2009 Mohundro
D597,344 S * 8/2009 Domack D6/691.1
D686,855 S * 7/2013 James D6/691.1
D721,909 S 2/2015 Huang et al.
D730,667 S 6/2015 James
D752,905 S 4/2016 Healy et al.
D754,455 S 4/2016 Healy et al.
D775,878 S 1/2017 Everson et al.
D775,879 S 1/2017 Everson et al.
D808,688 S 1/2018 Everson et al.
D823,621 S * 7/2018 Everson D6/691.9
D826,601 S * 8/2018 Everson D6/657
2016/0338491 A1 * 11/2016 Demichael A47C 11/00

* cited by examiner

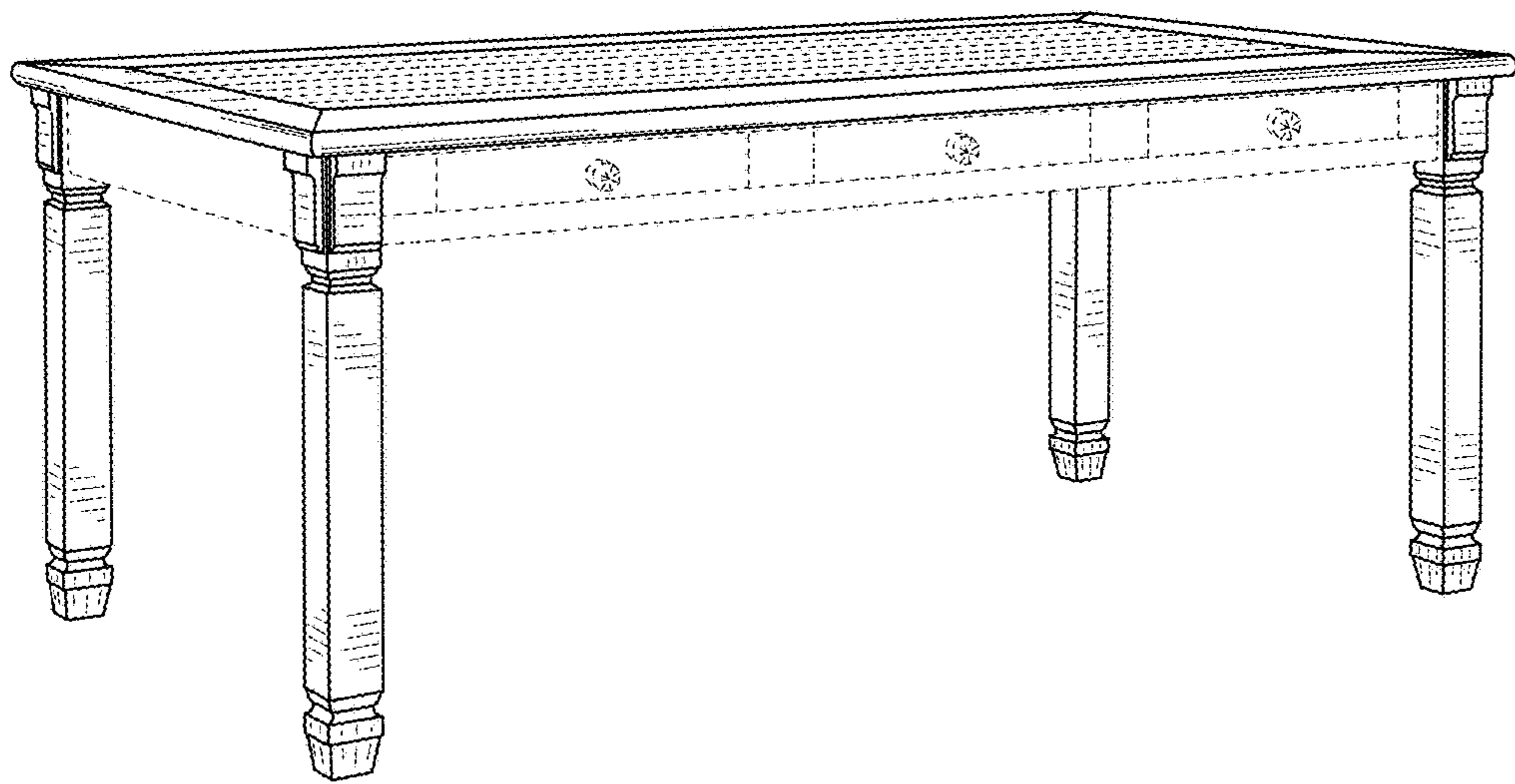


FIG. 1

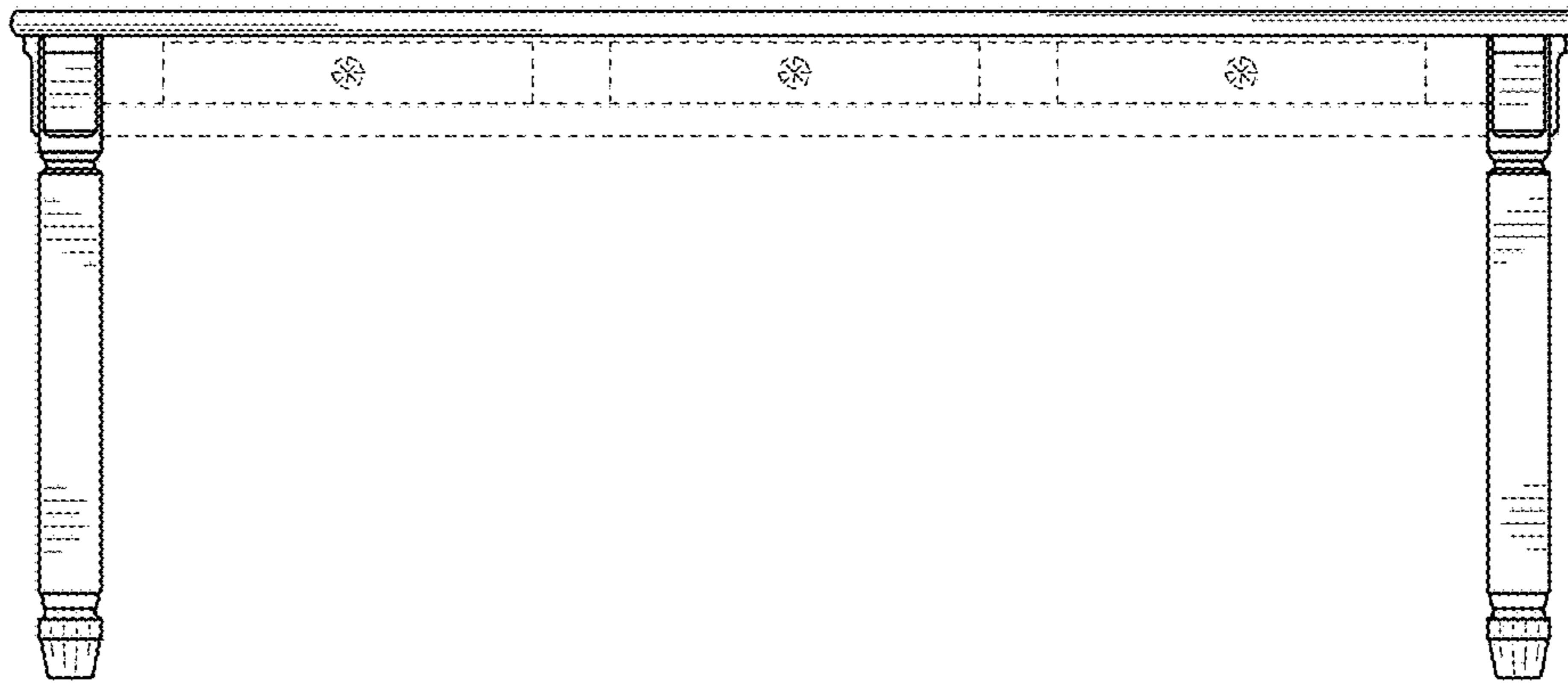


FIG. 2

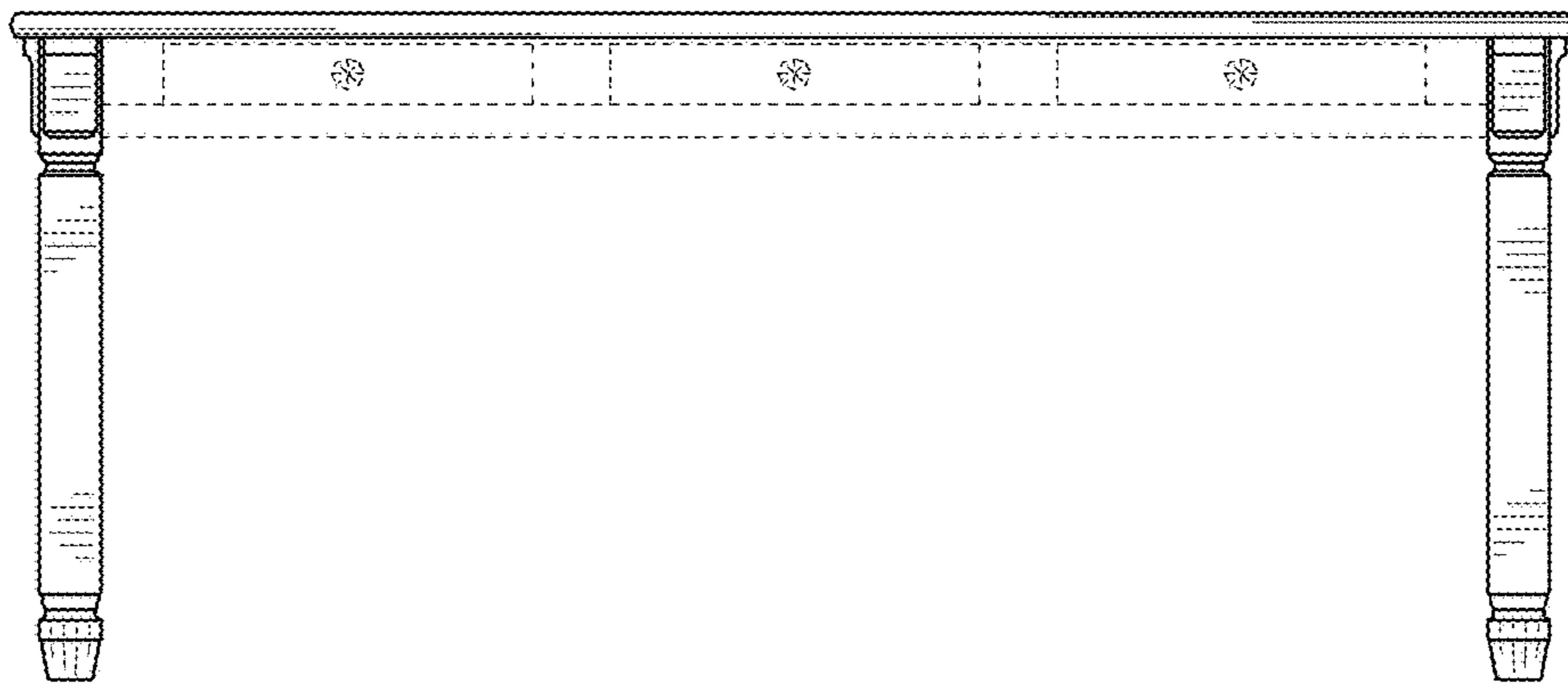


FIG. 3

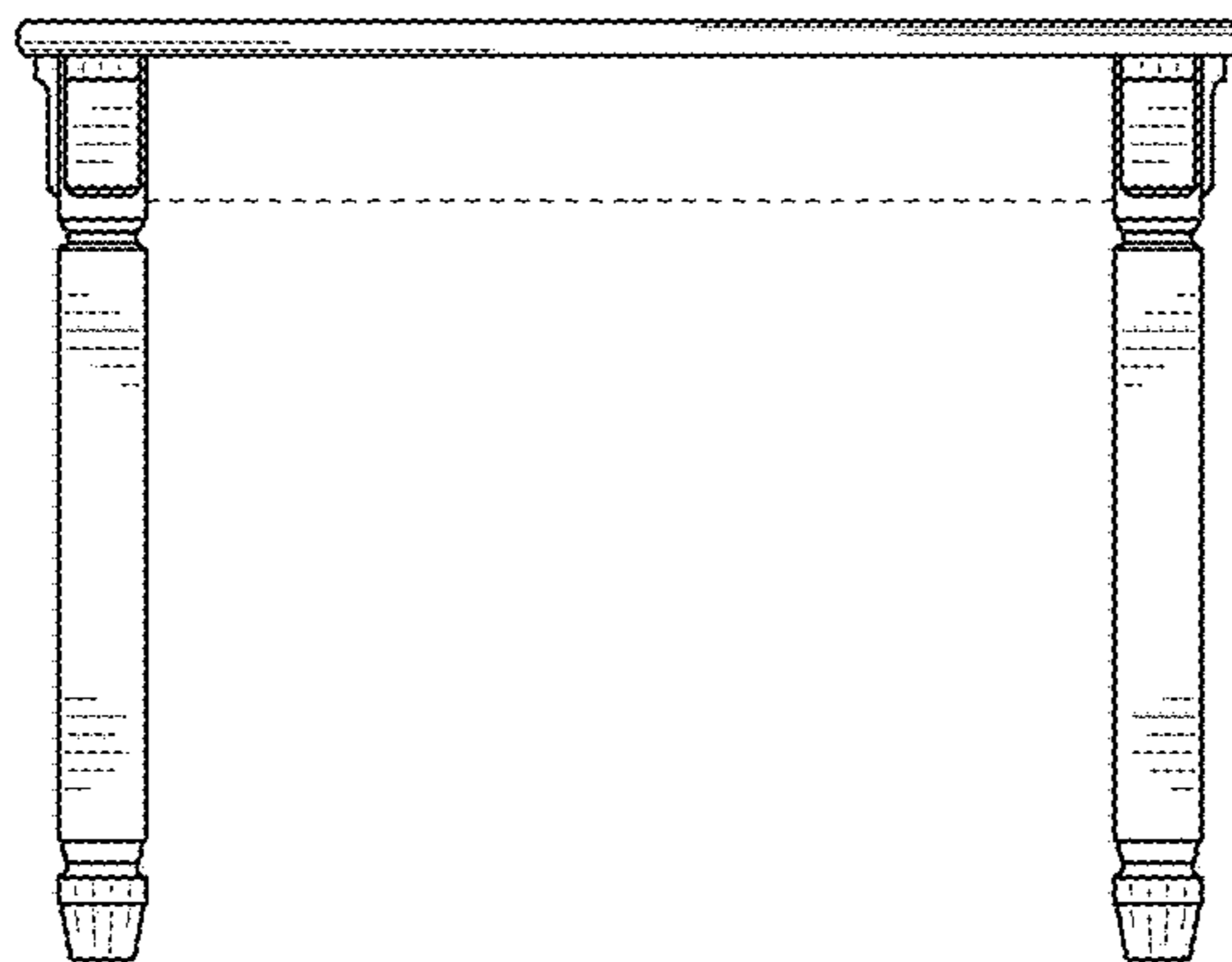


FIG. 4

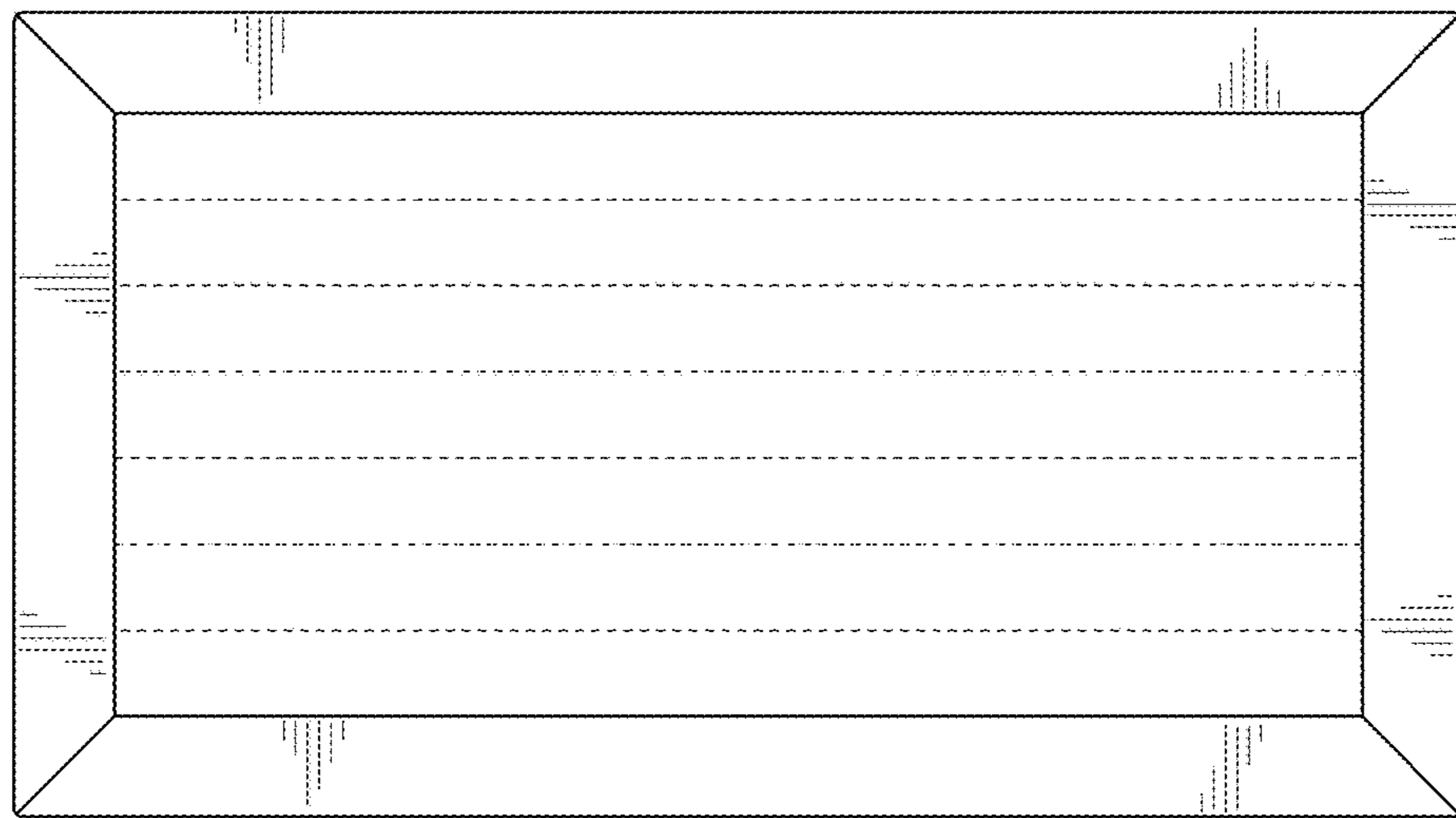


FIG. 5