



US00D845684S

(12) **United States Design Patent**
Spielmann et al.

(10) **Patent No.:** **US D845,684 S**

(45) **Date of Patent:** **** Apr. 16, 2019**

(54) **RETAIL DISPLAY STAND**

(71) Applicant: **Google Inc.**, Mountain View, CA (US)

(72) Inventors: **Victoria A. Spielmann**, San Francisco, CA (US); **Yaniv Ashkenazy**, Modi'in (IL); **Adam Kalderon**, Yahud (IL); **Adam Zerbib**, Tel-Aviv (IL); **Vitaly Korsunsky**, Petah Tikva (IL); **Yaniv Lupashko**, Ashqelon (IL)

(73) Assignee: **Google LLC**, Mountain View, CA (US)

(**) Term: **15 Years**

(21) Appl. No.: **29/583,138**

(22) Filed: **Nov. 2, 2016**

Related U.S. Application Data

(62) Division of application No. 29/527,707, filed on May 21, 2015, now Pat. No. Des. 781,623.

(51) **LOC (11) Cl.** **06-06**

(52) **U.S. Cl.**
USPC **D6/678**

(58) **Field of Classification Search**
USPC D6/657, 661, 661.3, 663, 668, 672, 678, D6/691, 691.3; D14/140, 240, 299
CPC A47F 3/00; A47F 3/004; A47F 5/0018; A47F 5/00; A47F 5/0043
See application file for complete search history.

(56) **References Cited**

U.S. PATENT DOCUMENTS

D373,693 S * 9/1996 Elhage D30/101
D430,981 S * 9/2000 Walls, Jr. D6/661
D464,216 S * 10/2002 Rone D6/661.3
D494,386 S * 8/2004 Locker D6/661.3

D537,753 S * 3/2007 Belokin D11/145
D558,486 S * 1/2008 Hoang D6/661
D568,065 S * 5/2008 McCabe D6/661
D590,723 S * 4/2009 Cascone D9/721
D629,282 S * 12/2010 Plumb D8/349
D700,462 S * 3/2014 Boos D6/661
D710,792 S * 8/2014 Cai D13/102
D718,182 S * 11/2014 Woltz D11/145
D723,294 S * 3/2015 O'Hara A47G 25/06
D6/513
D732,862 S * 6/2015 Lloyd D6/683
D781,623 S * 3/2017 Spielmann D6/678
D781,624 S * 3/2017 Spielmann D6/678

* cited by examiner

Primary Examiner — Kelley A Donnelly

(74) *Attorney, Agent, or Firm* — Leason Ellis LLP

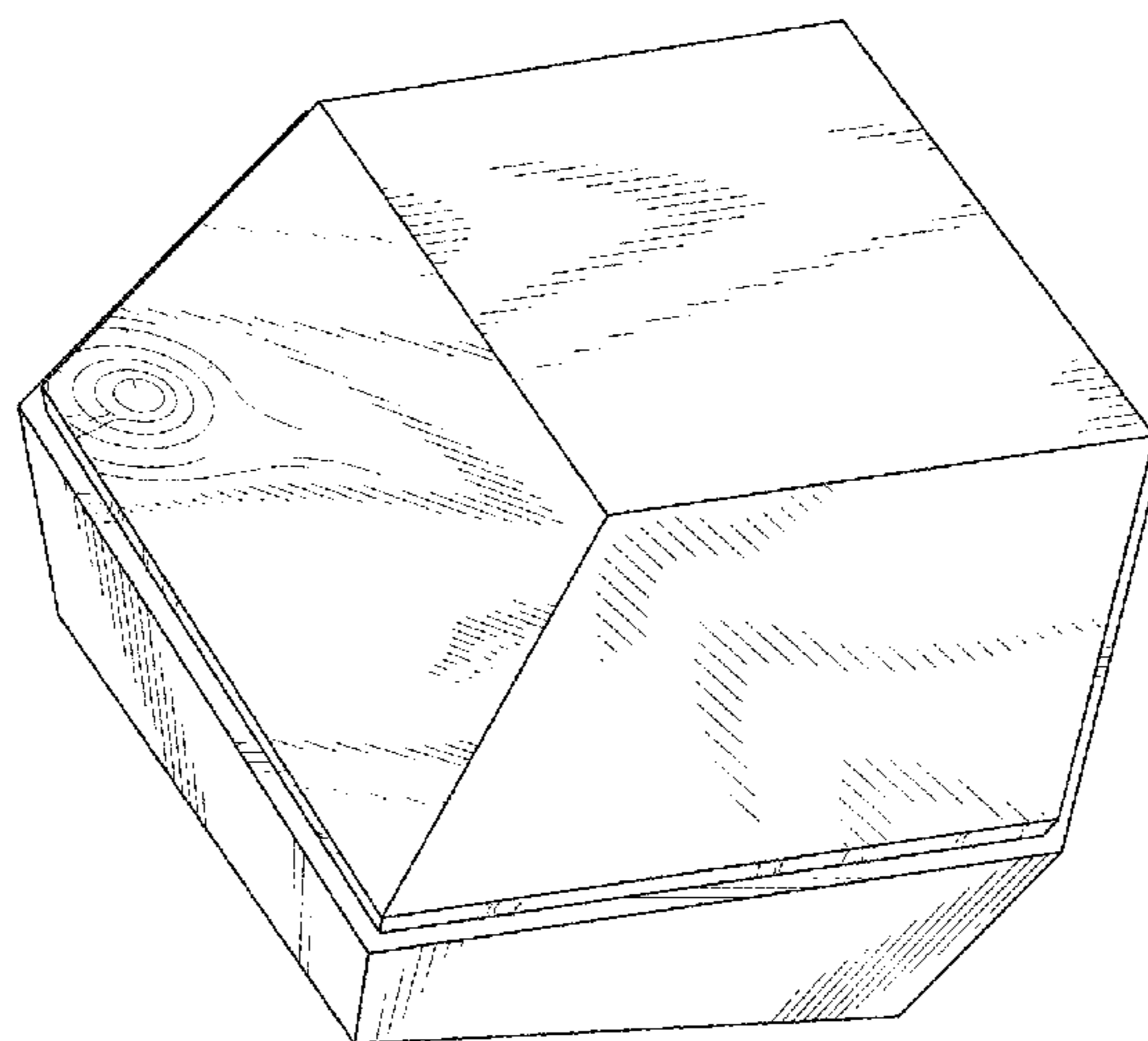
(57) **CLAIM**

The ornamental design for a retail display stand, as shown and described.

DESCRIPTION

FIG. 1 is a perspective view of a retail display stand according to our new design;
FIG. 2 is a top plan view thereof;
FIG. 3 is a rear plan view thereof;
FIG. 4 is a left side view thereof;
FIG. 5 is a right side view thereof;
FIG. 6 is a top side view thereof;
FIG. 7 is a bottom side view thereof; and,
FIG. 8 is a top plan view of the retail display stand of FIG. 1, now shown in an environment in which the retail display stand is adjacent to a plurality of identical such fixtures. The broken lines, including the renderings of cellular phones or tablets positioned on the retail display stand, illustrate environmental structure and form no part of the claimed design.

1 Claim, 6 Drawing Sheets



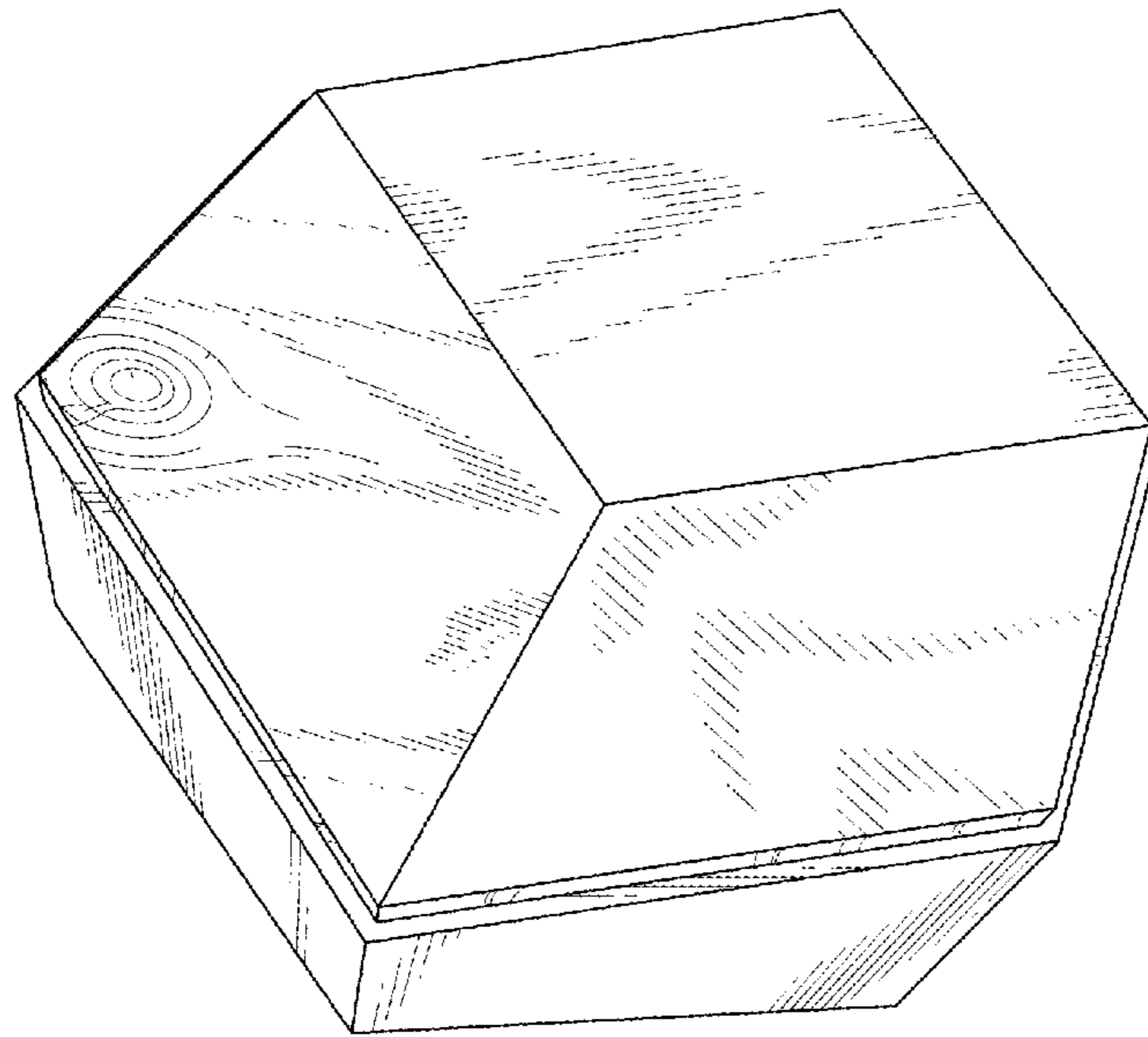


Fig. 1

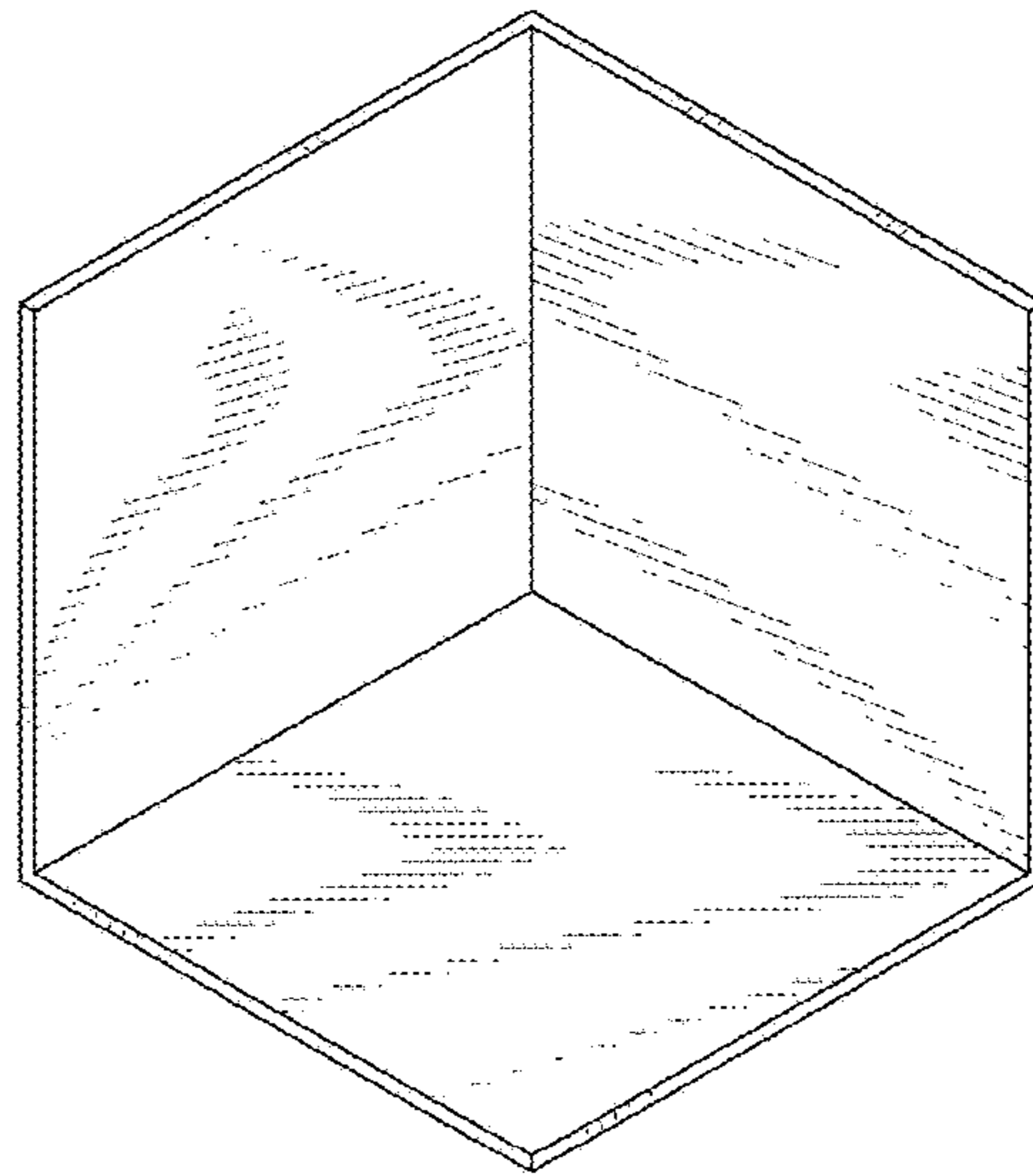


Fig. 2

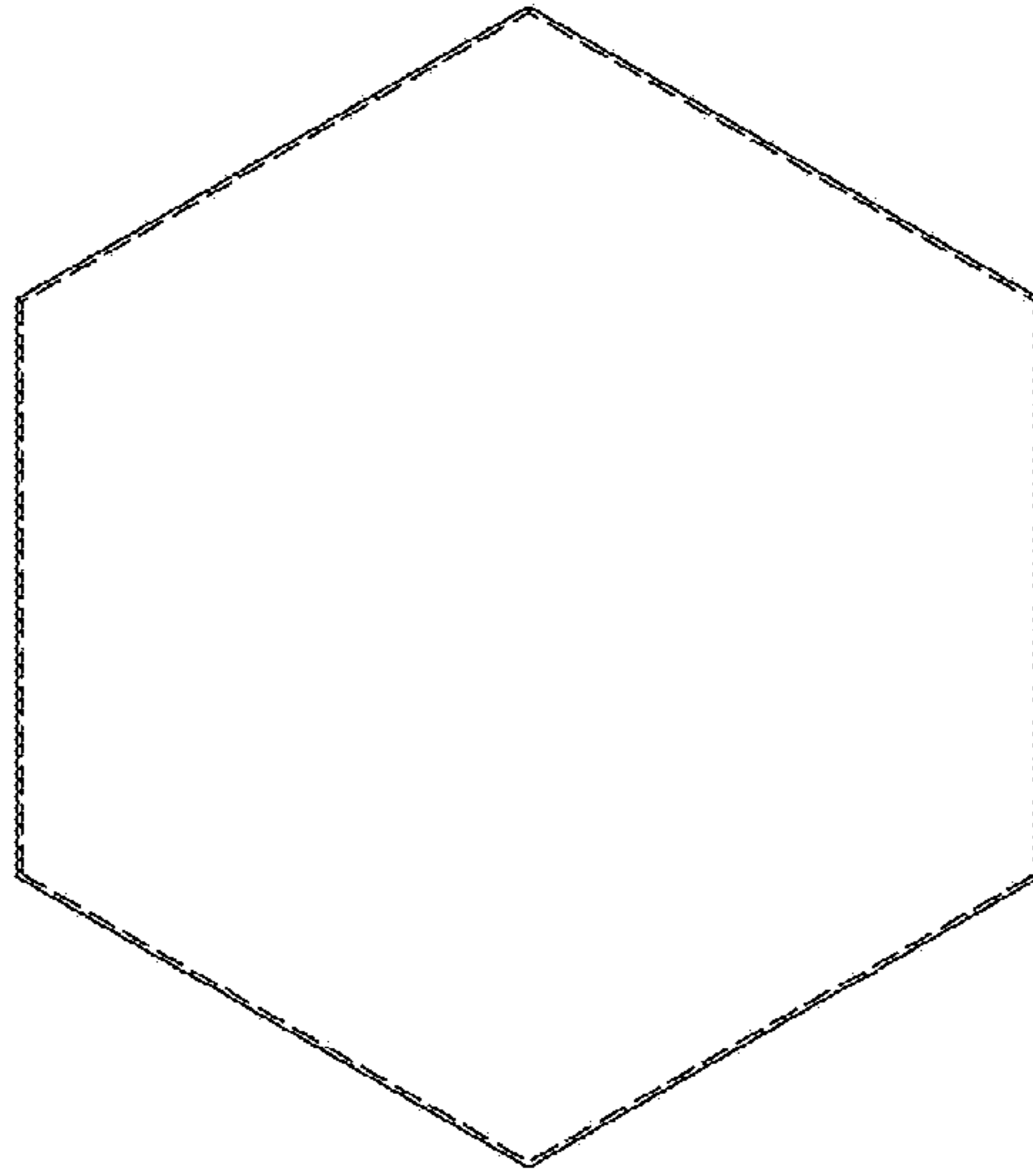


Fig. 3

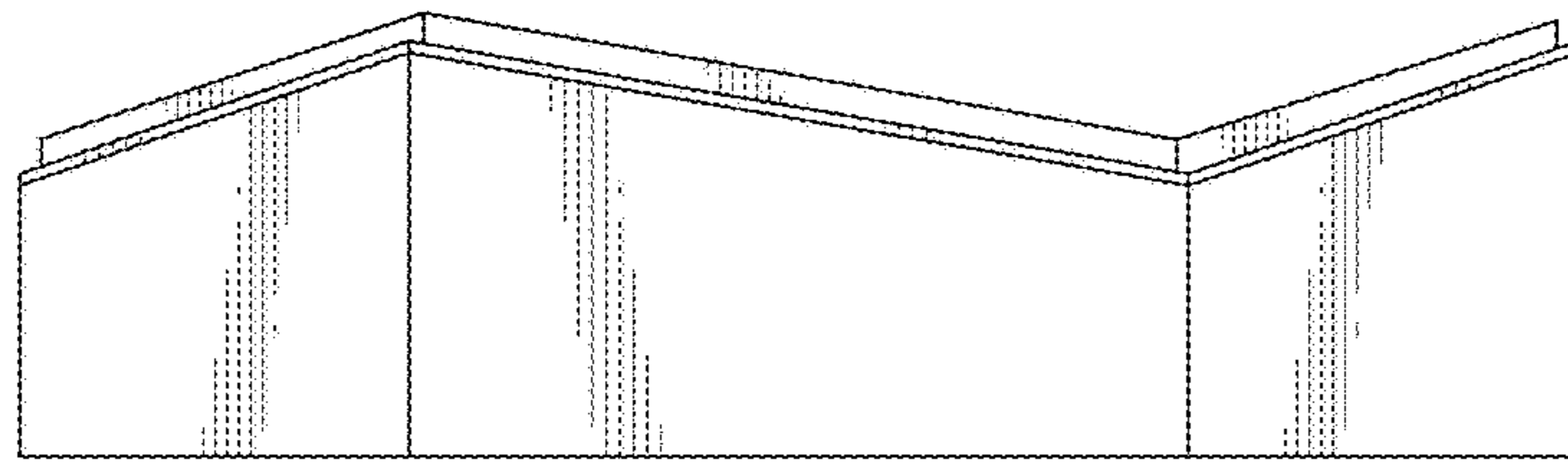


Fig. 4

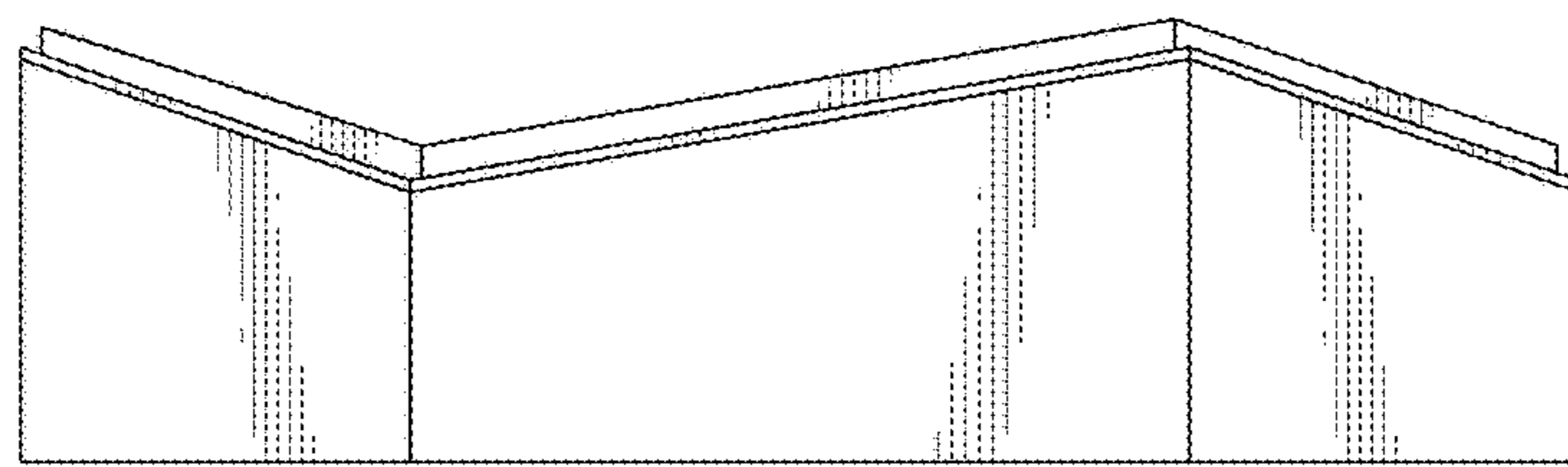


Fig. 5

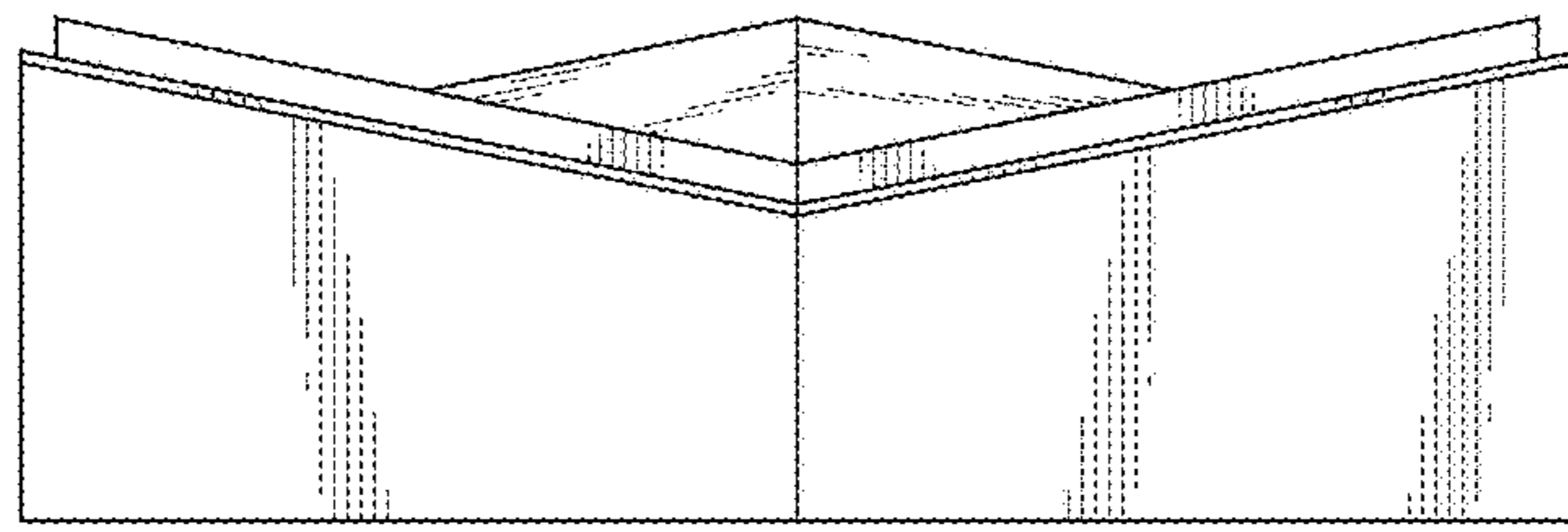


Fig. 6

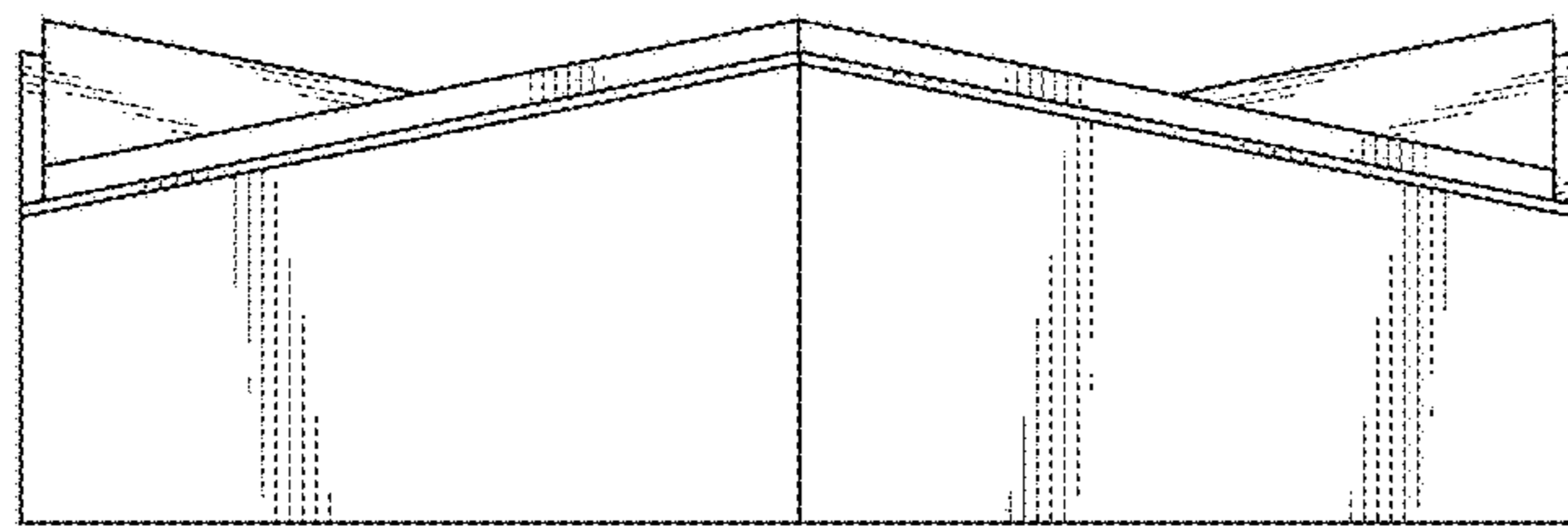


Fig. 7

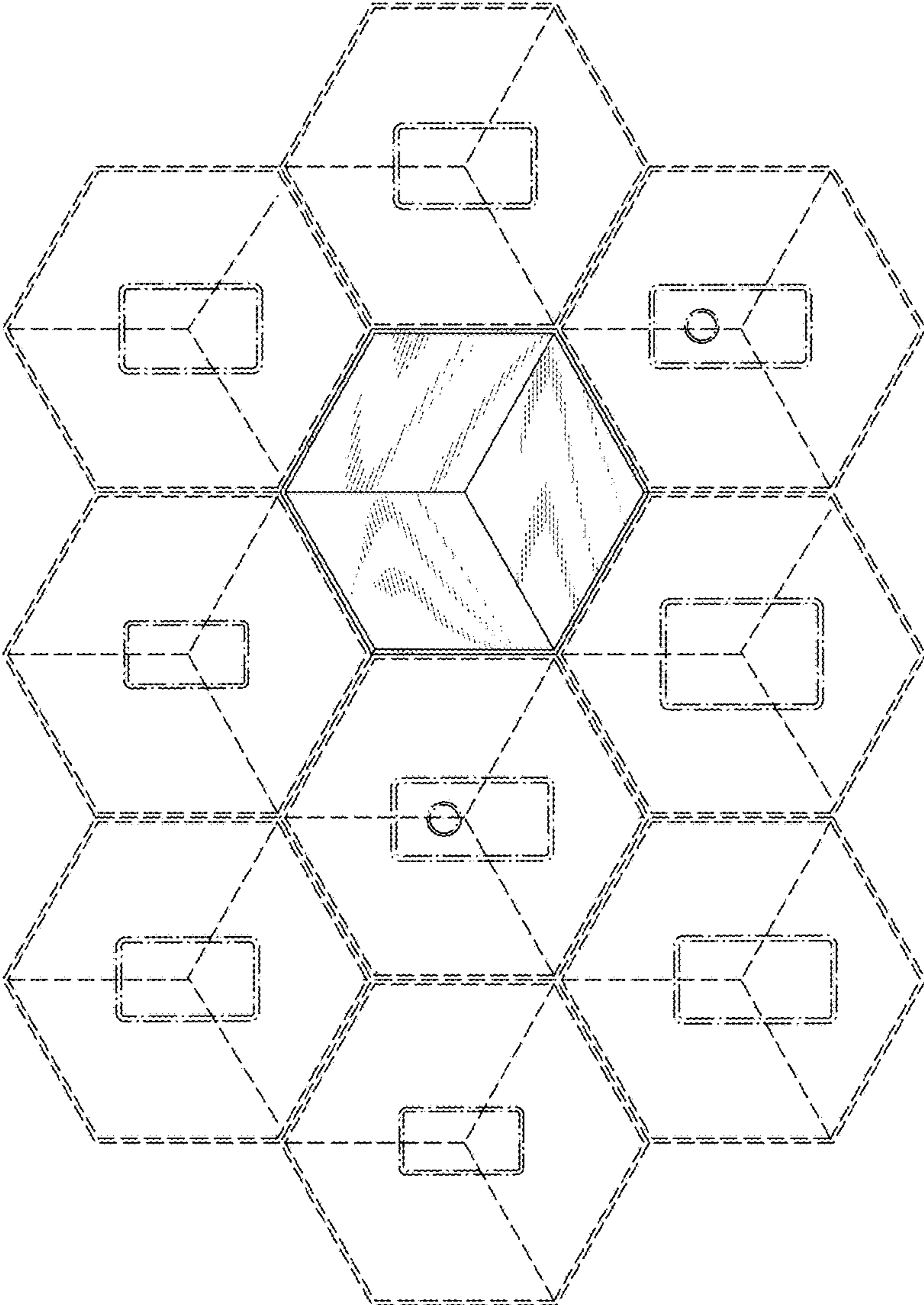


Fig. 8