



US00D845683S

(12) **United States Design Patent** (10) **Patent No.:** **US D845,683 S**  
**Pedersen et al.** (45) **Date of Patent:** **\*\* Apr. 16, 2019**

(54) **DISPLAY UNIT**  
(71) Applicant: **Target Brands, Inc.**, Minneapolis, MN (US)  
(72) Inventors: **Sara L. Pedersen**, Minneapolis, MN (US); **Erin L. Zobel**, Minneapolis, MN (US)  
(73) Assignee: **Target Brands, Inc.**, Minneapolis, MN (US)  
(\*\*) Term: **15 Years**

(21) Appl. No.: **29/628,308**  
(22) Filed: **Dec. 4, 2017**  
(51) **LOC (11) Cl.** ..... **06-06**  
(52) **U.S. Cl.**  
USPC ..... **D6/675**  
(58) **Field of Classification Search**  
USPC ..... D6/675-675.3, 678.2, 682; D9/414, 432  
CPC ..... A47F 3/004; A47F 5/0043; A47F 3/00;  
A47B 3/14; A47B 47/04  
See application file for complete search history.

(56) **References Cited**  
**U.S. PATENT DOCUMENTS**  
D503,570 S \* 4/2005 Anderson ..... D6/349  
D555,919 S \* 11/2007 Baade ..... D6/349  
D605,434 S \* 12/2009 Daino ..... D6/708  
D659,415 S \* 5/2012 Soto ..... D6/355  
D694,558 S \* 12/2013 Denby ..... D6/675.1  
D764,213 S \* 8/2016 Clark ..... D6/675  
D768,417 S \* 10/2016 Johnson ..... D6/687  
D792,132 S \* 7/2017 Peota ..... D6/675

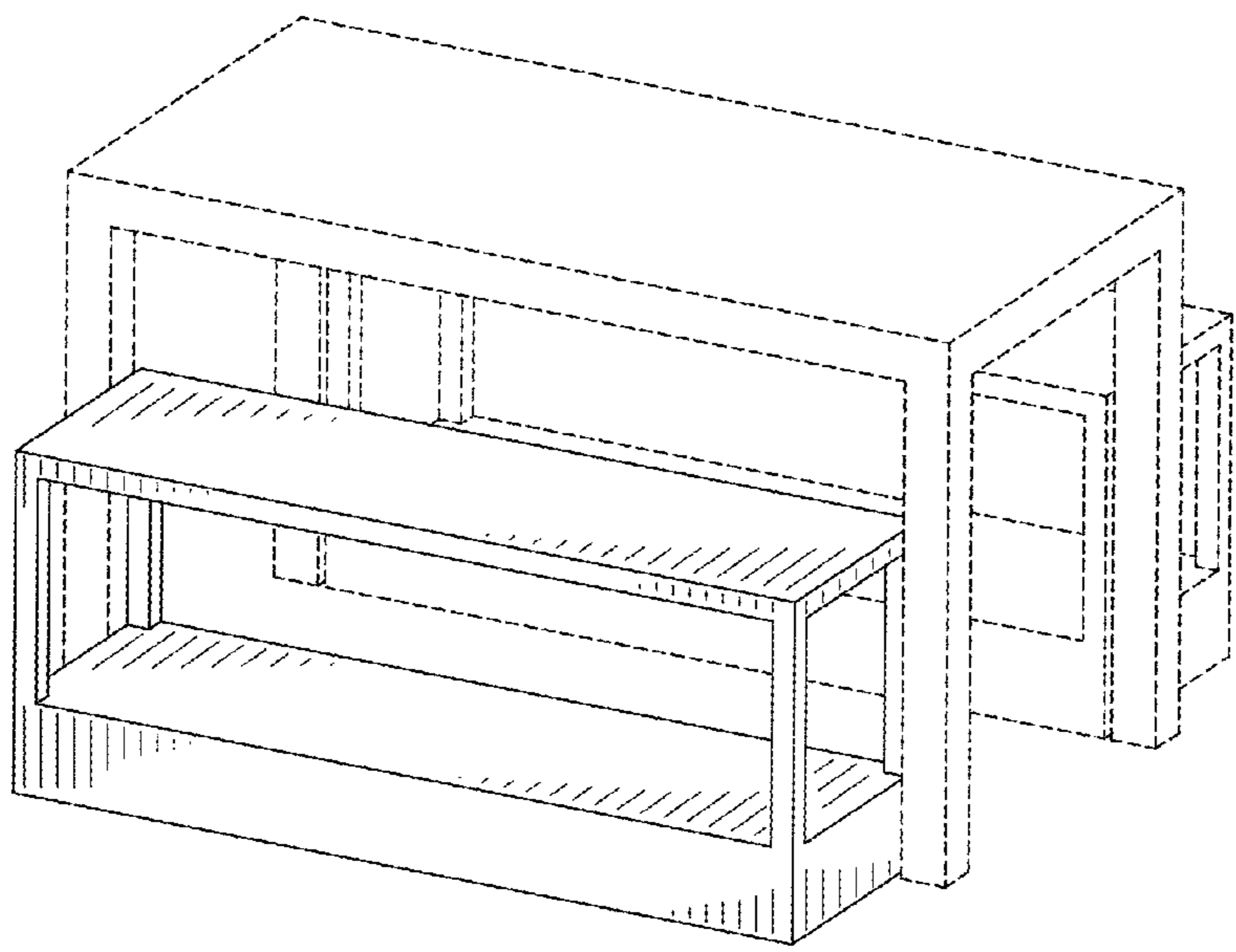
D794,983 S \* 8/2017 Peota ..... D6/675.1  
D802,347 S \* 11/2017 Yoshida ..... D6/709.21  
D810,482 S \* 2/2018 Modlin ..... D6/691  
2013/0284075 A1 \* 10/2013 Reithler ..... A47B 17/03  
108/91

\* cited by examiner  
*Primary Examiner* — Kelley A Donnelly  
(74) *Attorney, Agent, or Firm* — Leanne Taveggia Farrell; Westman, Champlin & Koehler, P.A.

(57) **CLAIM**  
The ornamental design for a display unit, as shown and described.

**DESCRIPTION**  
FIG. 1 is a perspective view of a first embodiment of a display unit showing our new design;  
FIG. 2 is a front view thereof  
FIG. 3 is a back view thereof;  
FIG. 4 is a right side view thereof;  
FIG. 5 is a left side view thereof;  
FIG. 6 is a top view thereof;  
FIG. 7 is a perspective view of a second embodiment thereof;  
FIG. 8 is a front view of FIG. 7;  
FIG. 9 is a back view of FIG. 7;  
FIG. 10 is a right side view of FIG. 7;  
FIG. 11 is a left side view of FIG. 7; and,  
FIG. 12 is a top view of FIG. 7.  
The broken lines shown in the drawings are included for purposes of illustrating portions of the display unit and form no part of the claimed design.

**1 Claim, 8 Drawing Sheets**



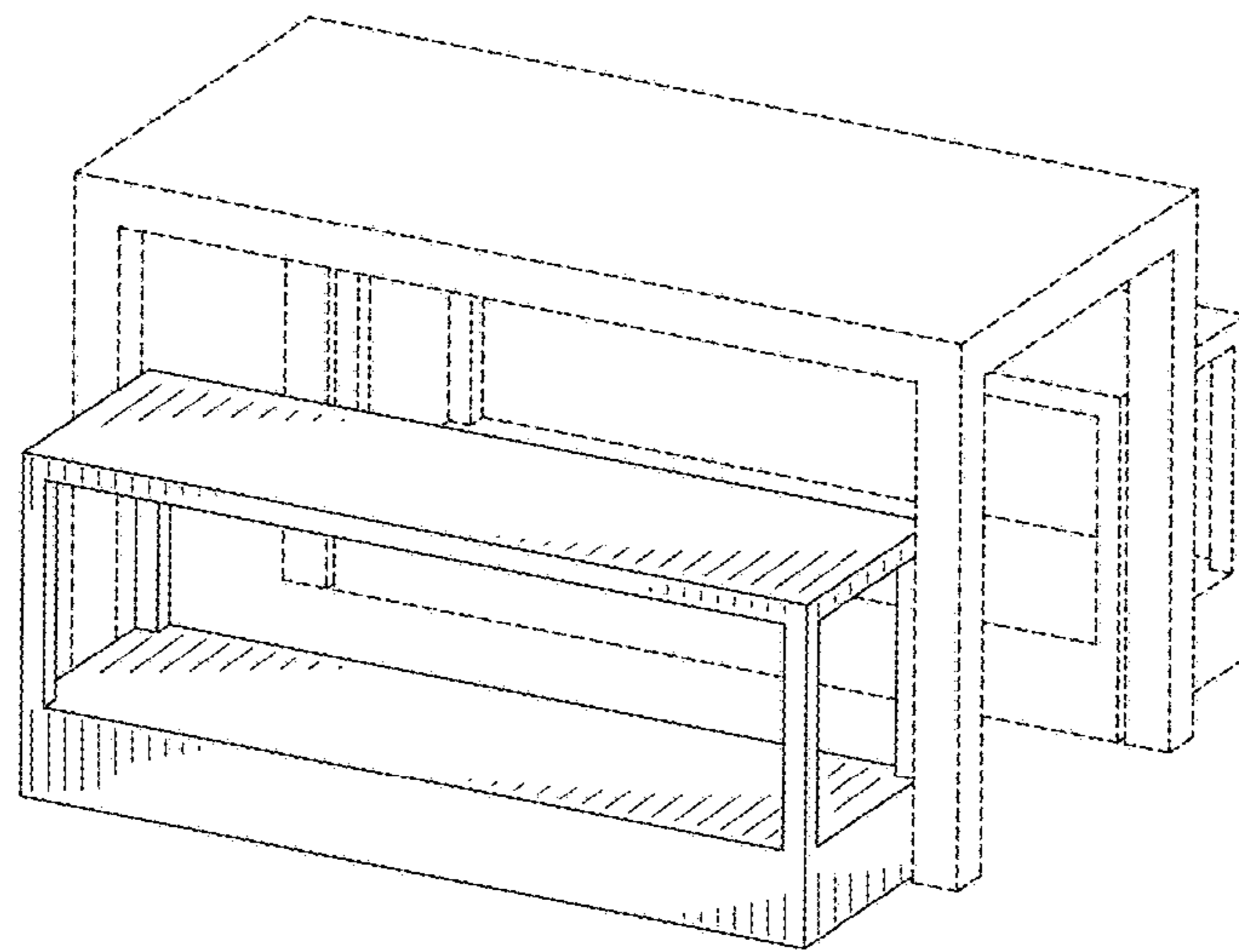


Fig. 1

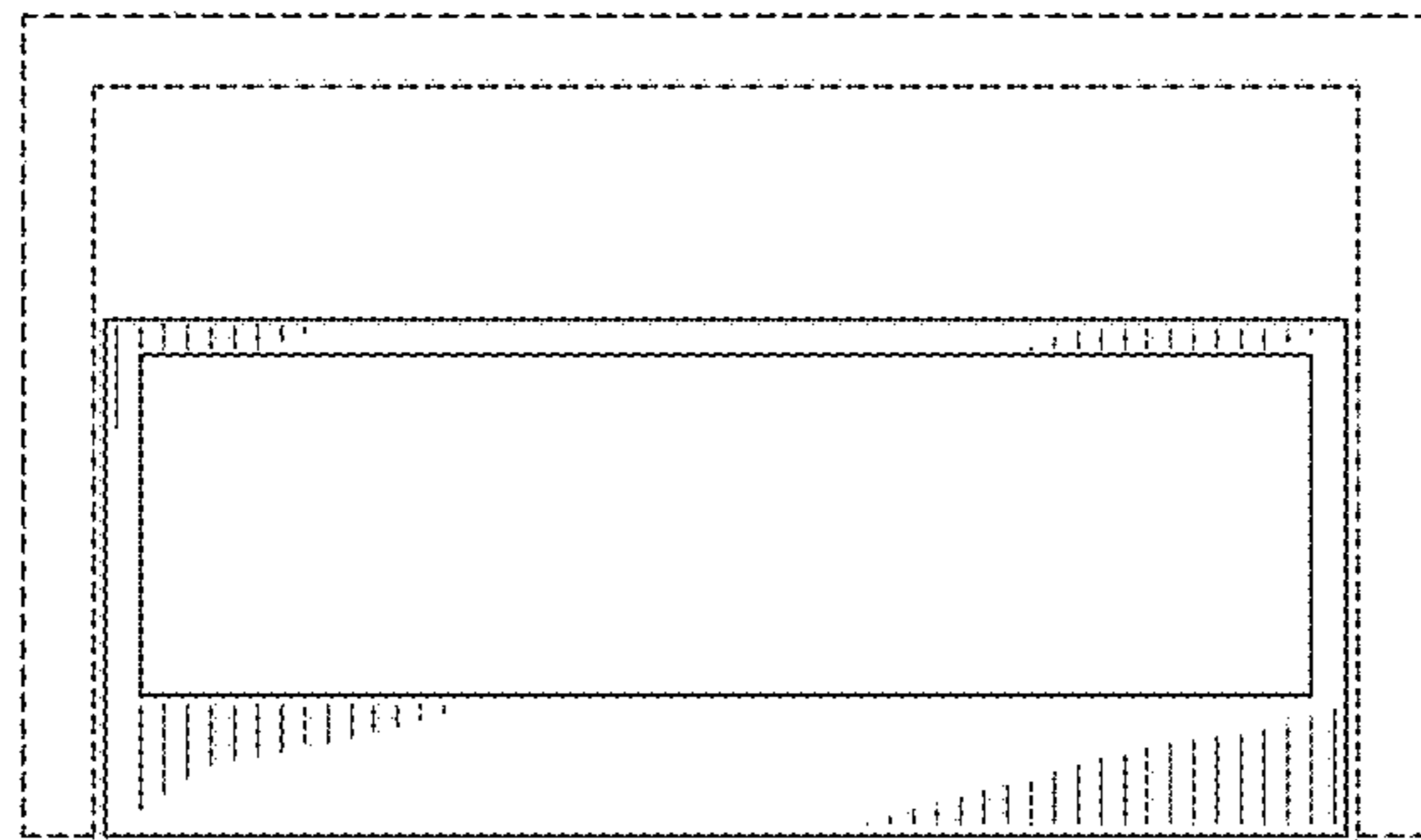


Fig. 2



Fig. 3

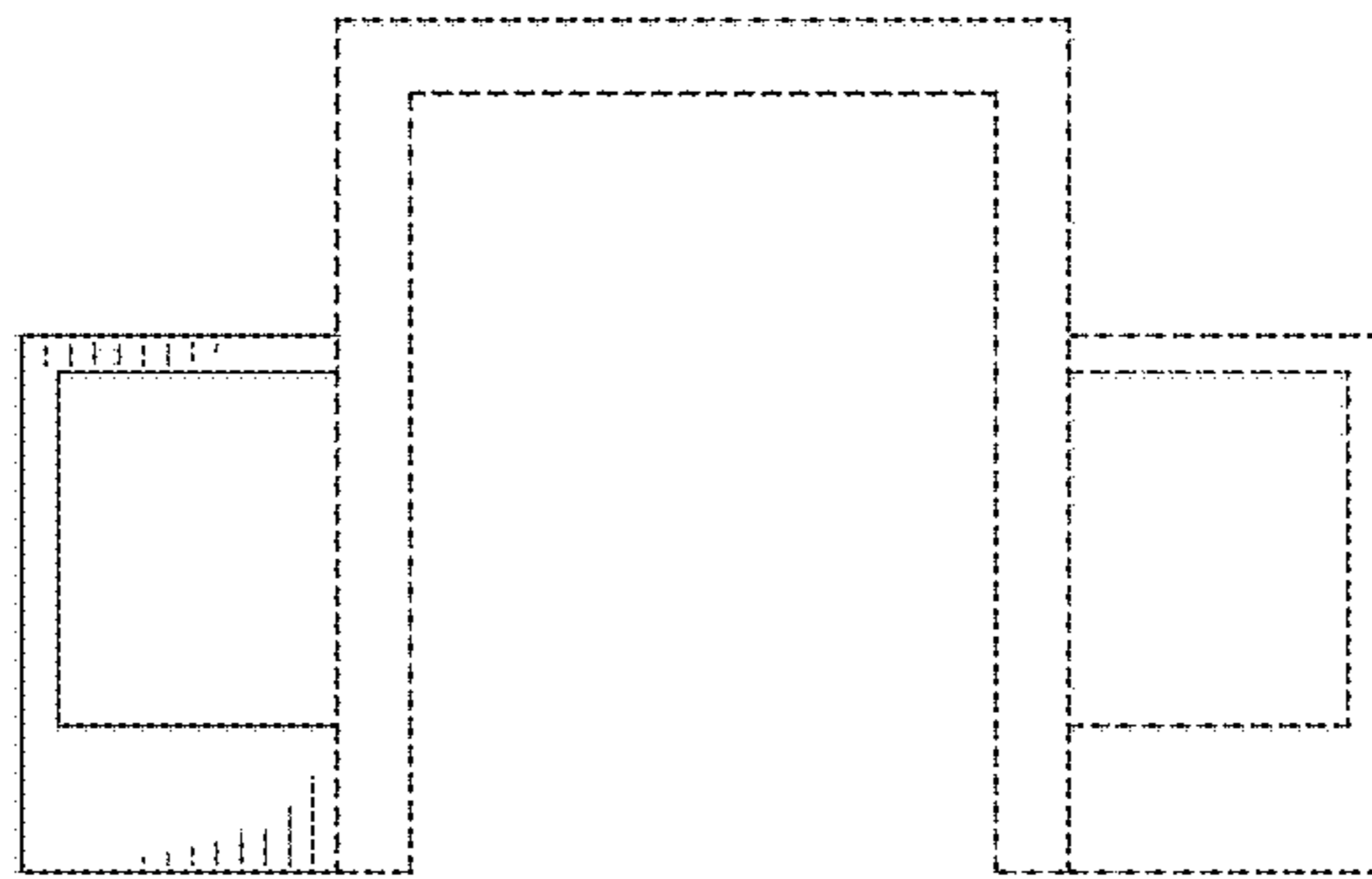


Fig. 4

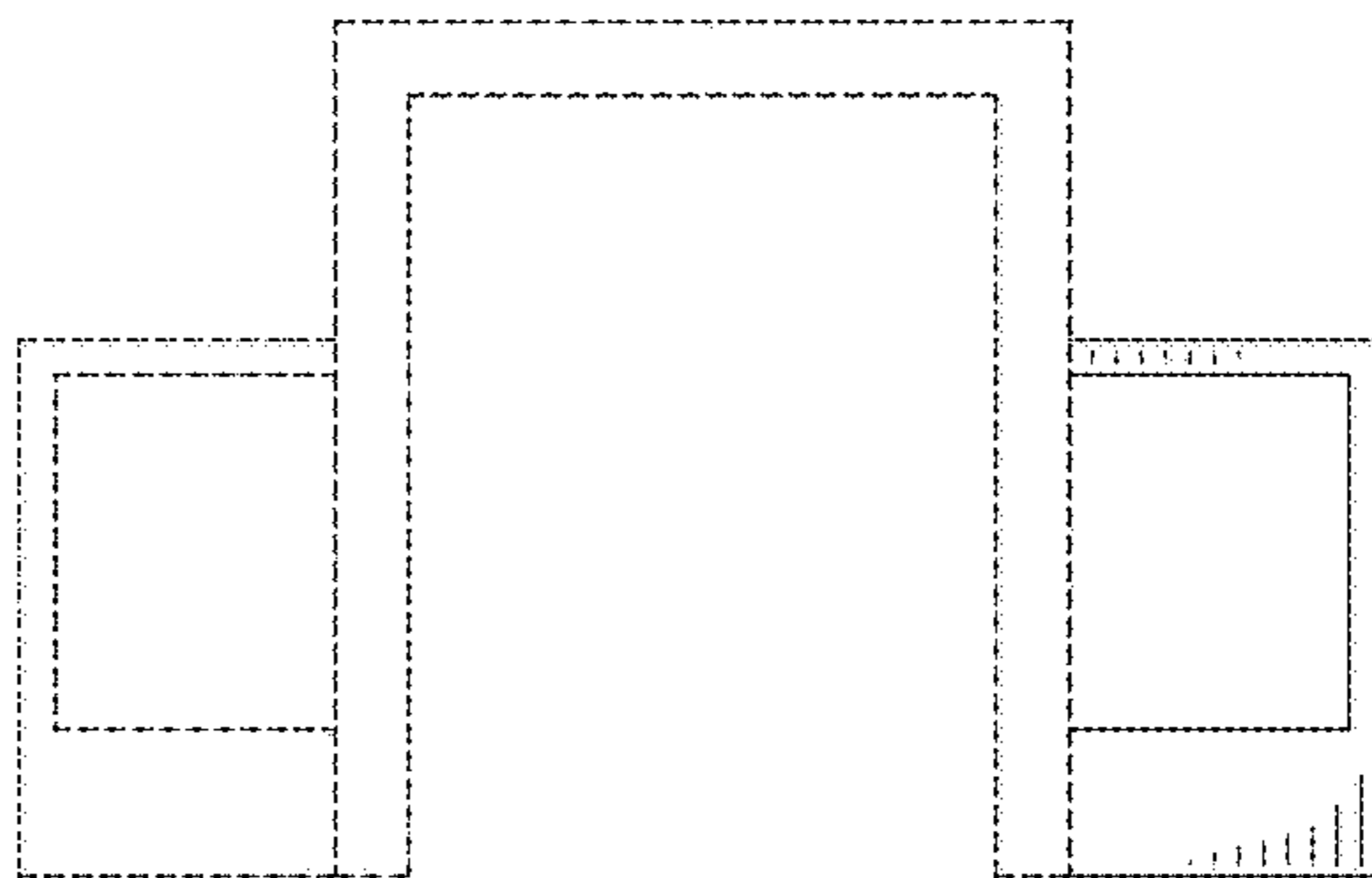


Fig. 5

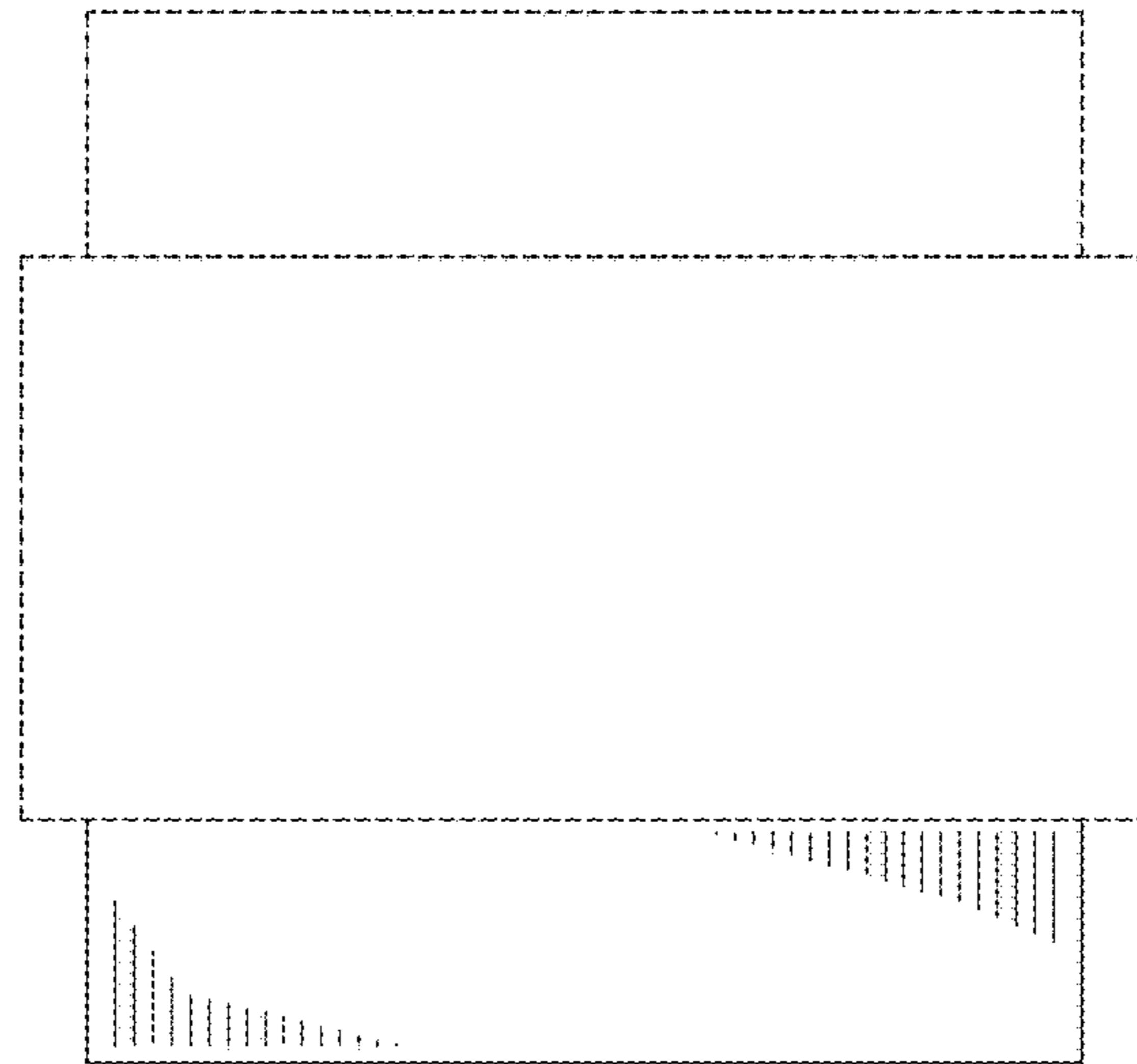


Fig. 6

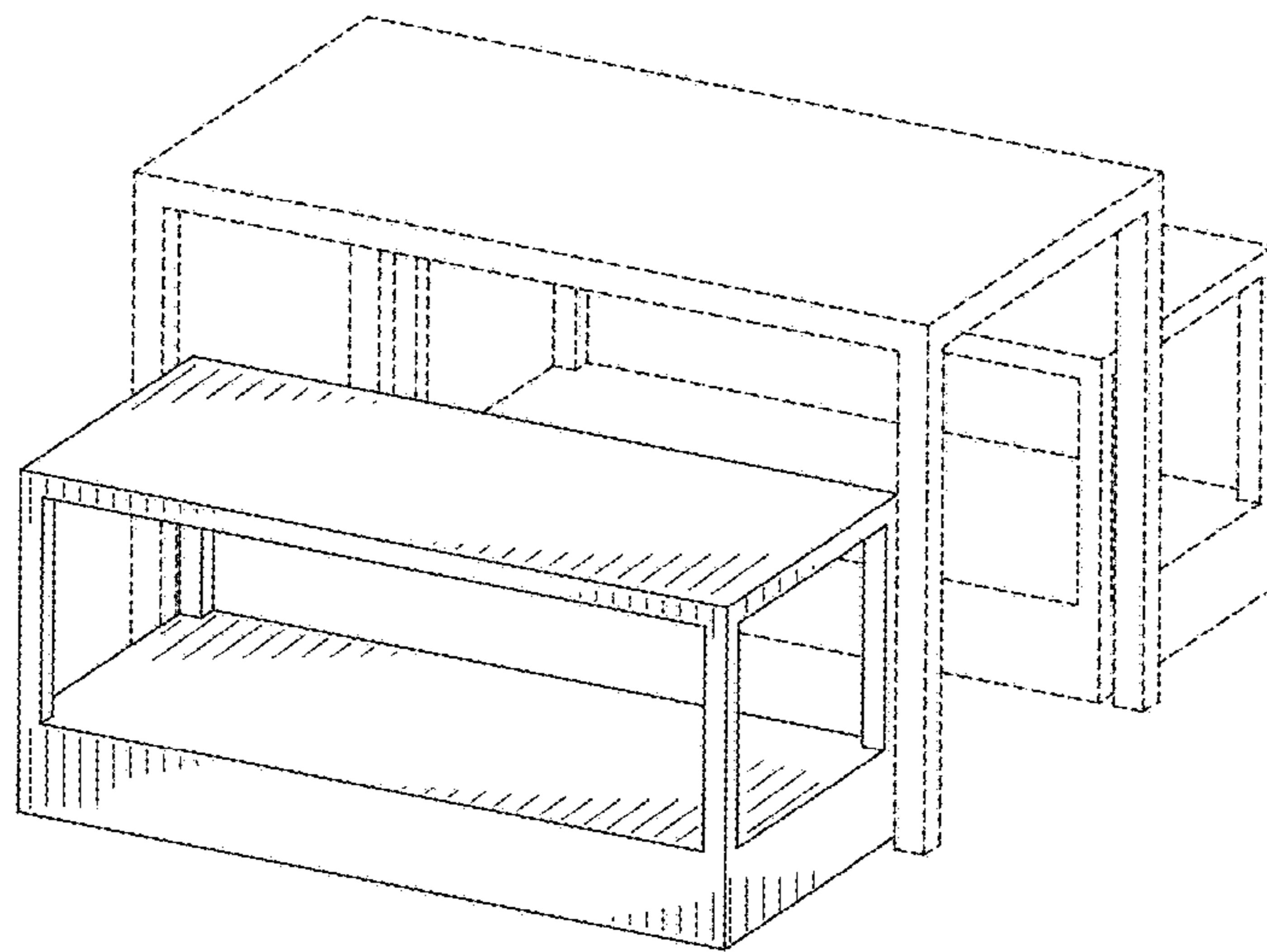


Fig. 7

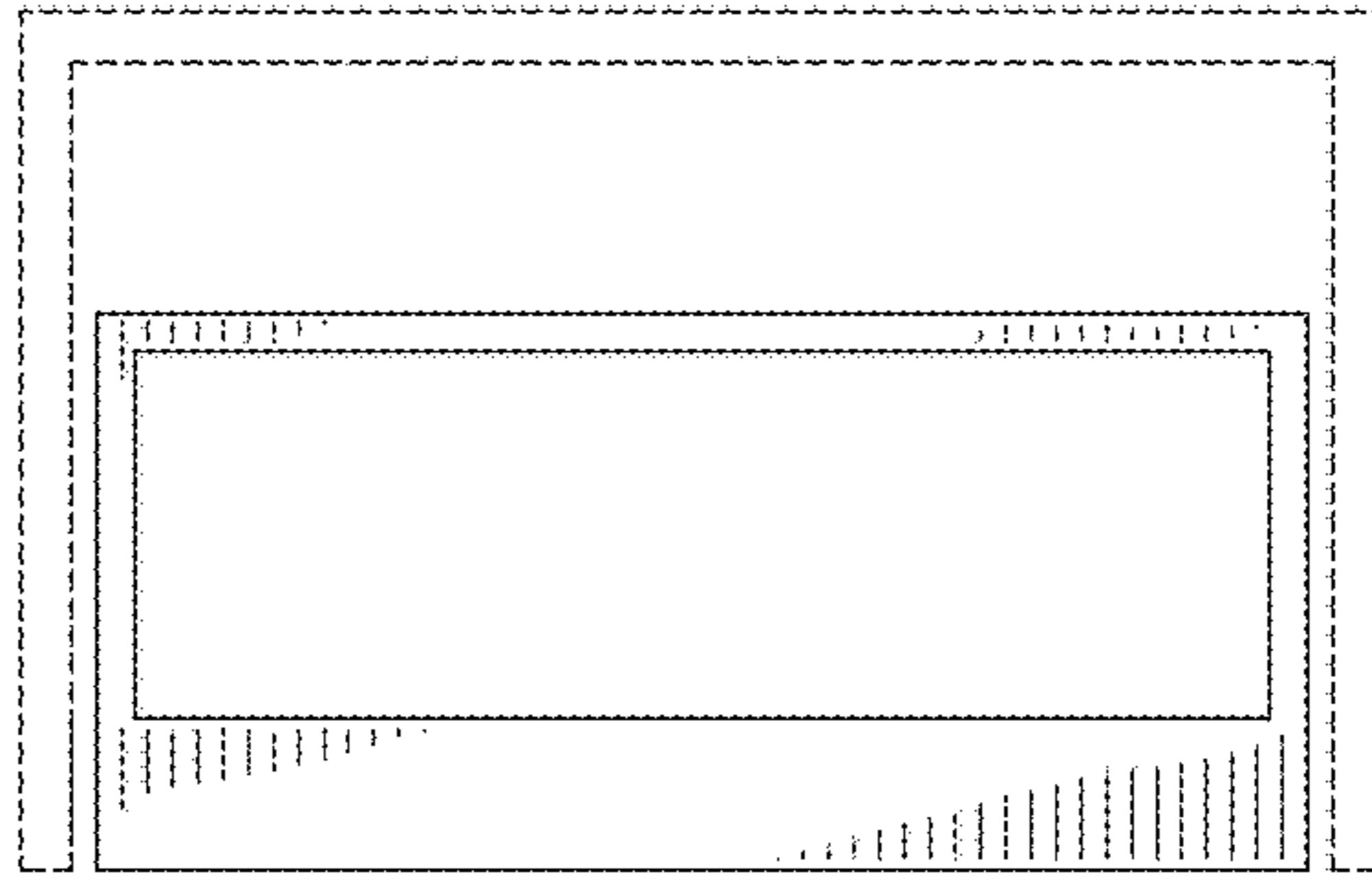


Fig. 8

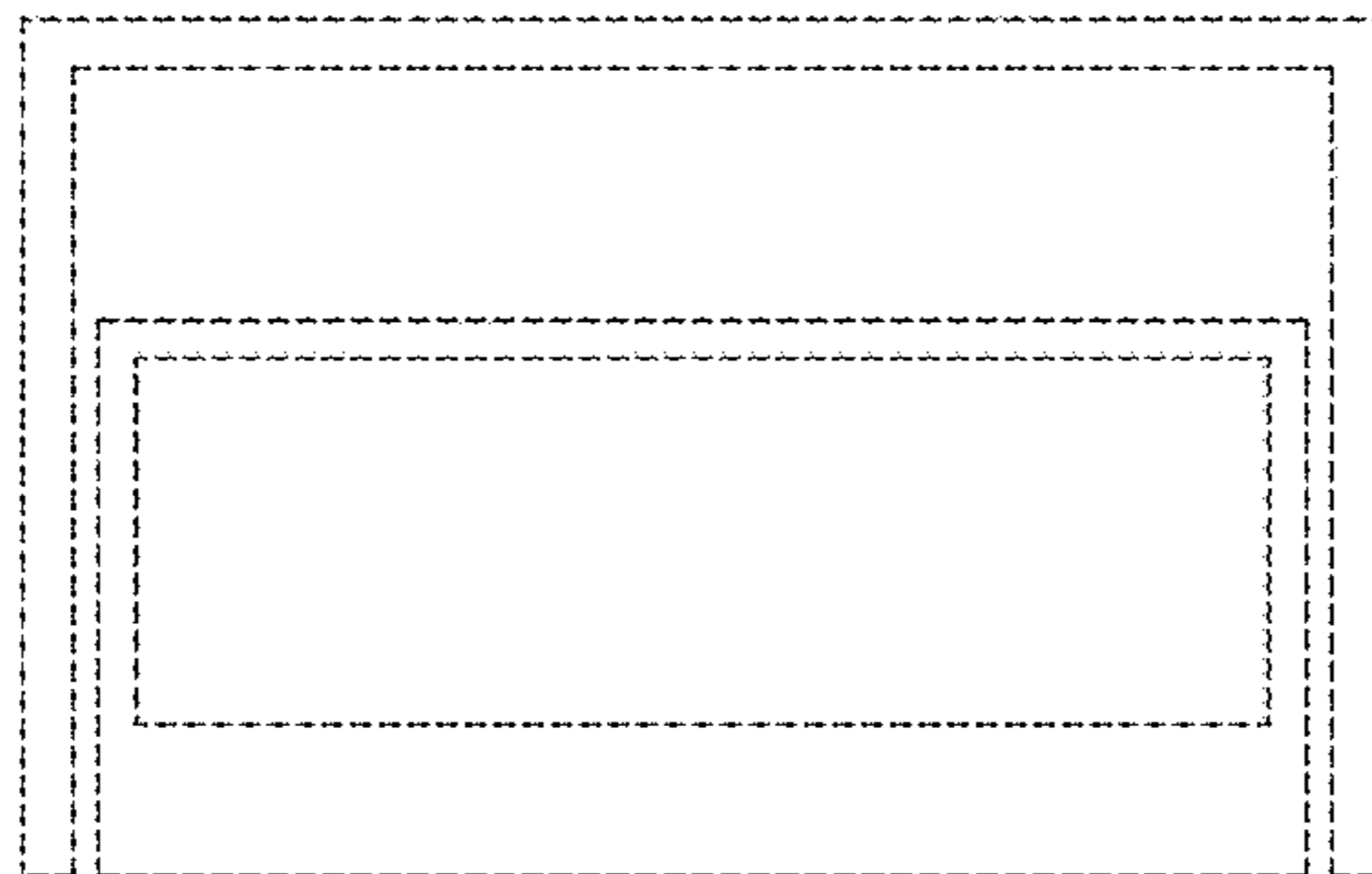


Fig. 9

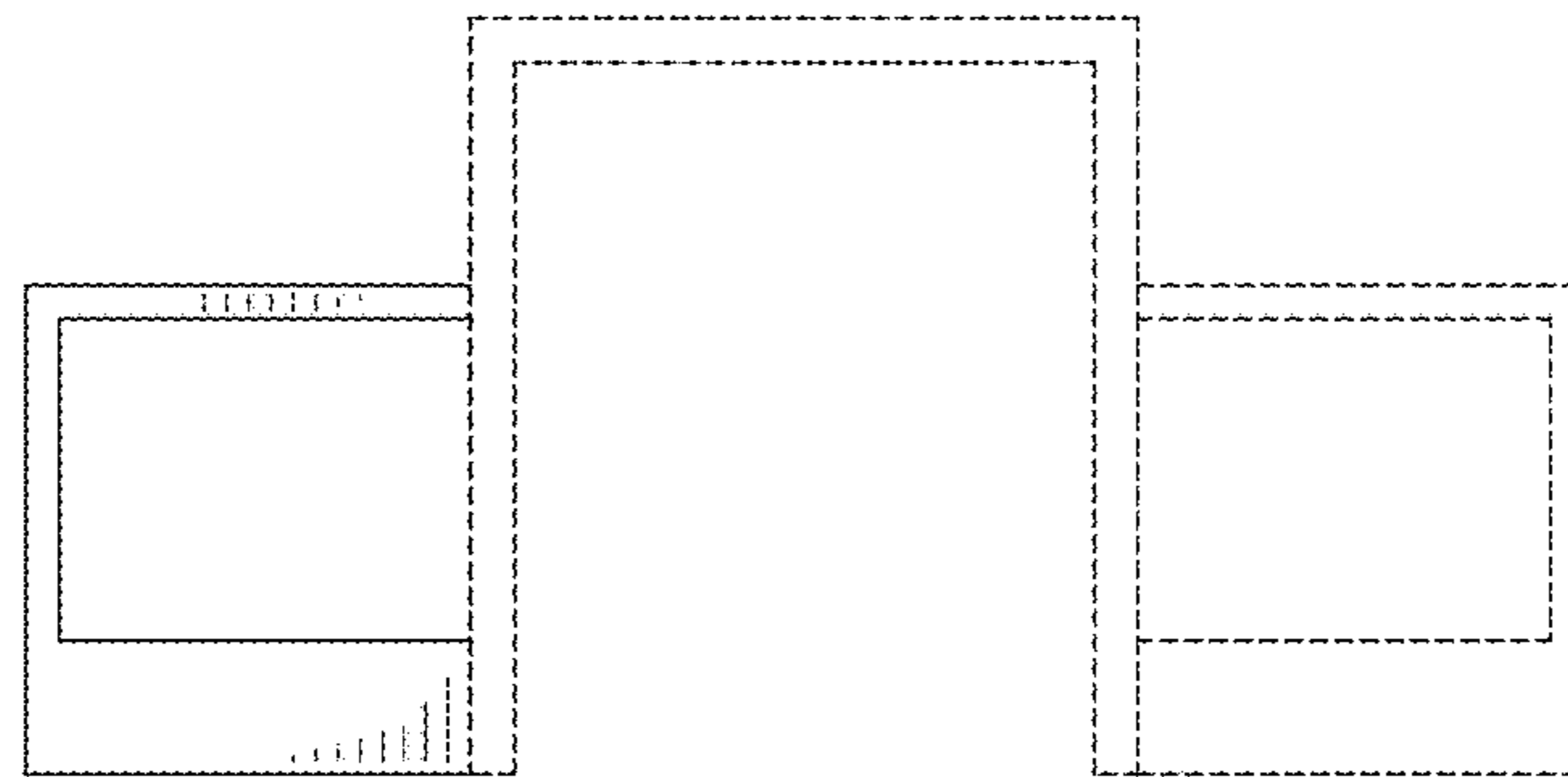


Fig. 10

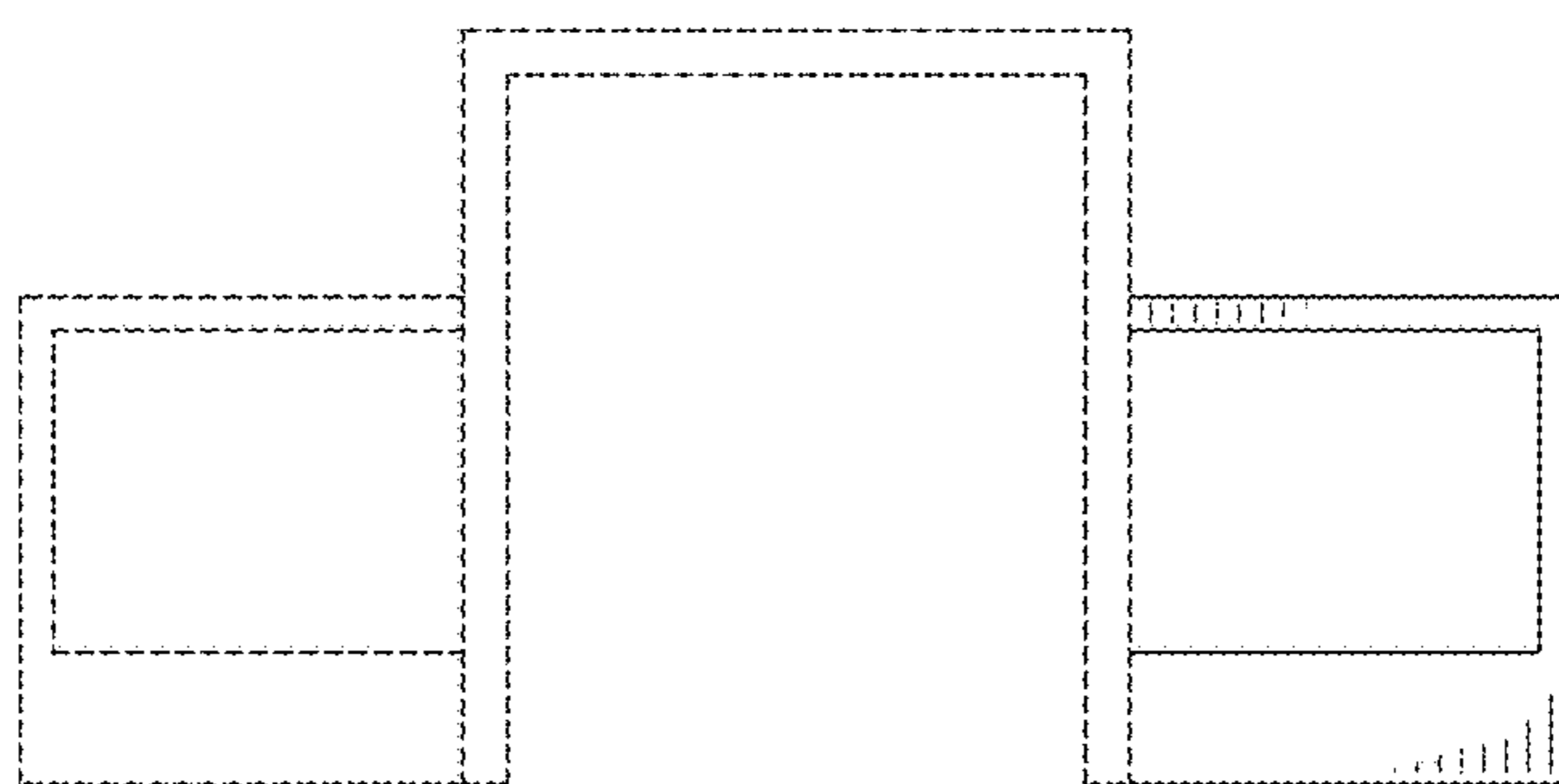


Fig. 11



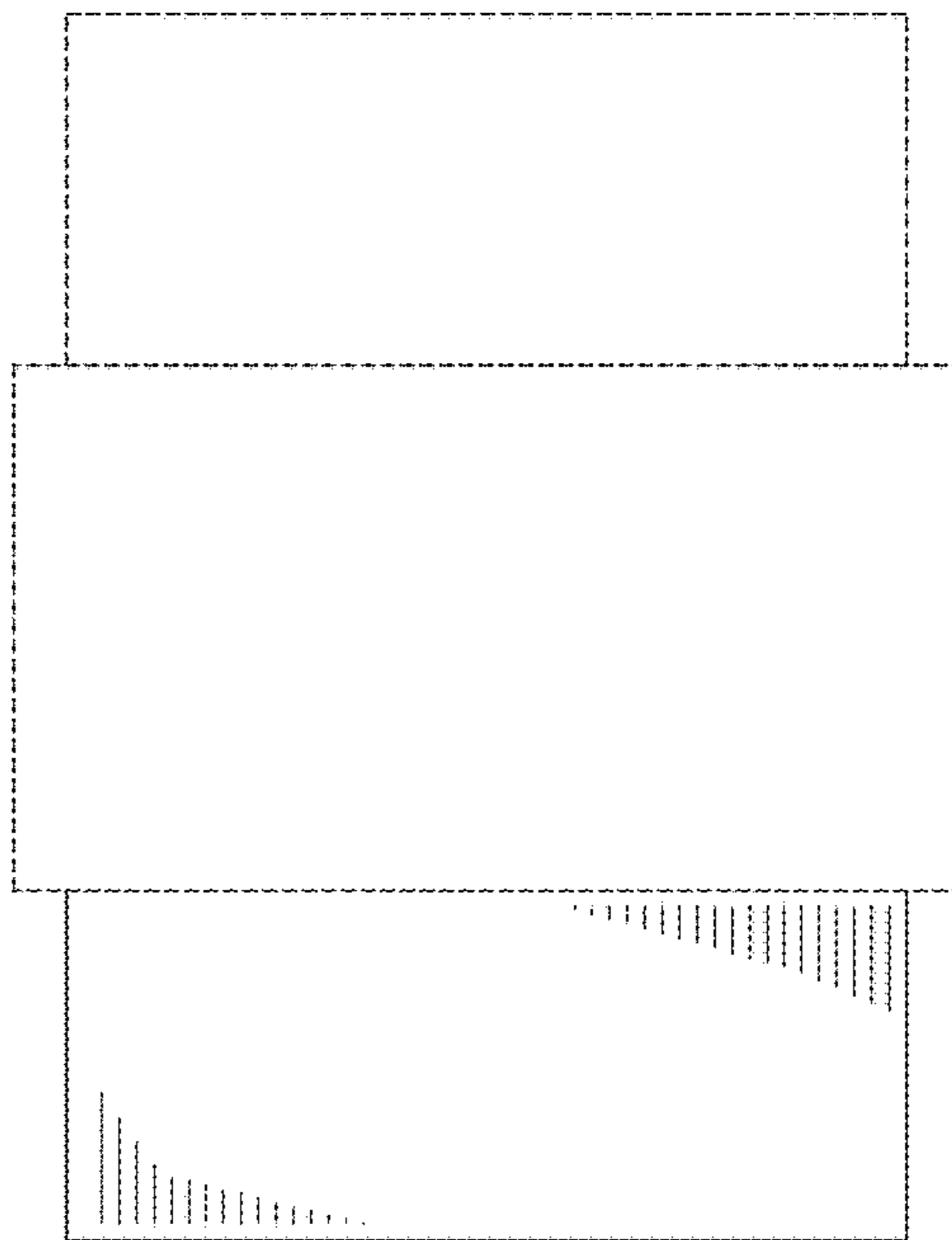


Fig. 12