



US00D845680S

(12) **United States Design Patent**  
**Allen**

(10) **Patent No.:** **US D845,680 S**  
(45) **Date of Patent:** **\*\* Apr. 16, 2019**

(54) **LOCKER WITH FOLDING SEAT BACK**

(71) Applicant: **Sam Allen**, Maypearl, TX (US)

(72) Inventor: **Sam Allen**, Maypearl, TX (US)

(\*\*) Term: **15 Years**

(21) Appl. No.: **29/661,342**

(22) Filed: **Aug. 27, 2018**

**Related U.S. Application Data**

(62) Division of application No. 29/595,094, filed on Feb. 24, 2017, now Pat. No. Des. 826,602.

(51) **LOC (11) Cl.** ..... **06-04**

(52) **U.S. Cl.**  
USPC ..... **D6/657**

(58) **Field of Classification Search**  
USPC ... D6/334, 335, 336, 368, 642, 664, 707.19;  
D8/331  
CPC ..... A47C 7/021; A47C 27/088; A47C 4/54;  
A47C 27/084; A47C 27/10; B61D 33/00;  
B64D 25/10; E06B 5/006; A47B 81/00  
See application file for complete search history.

(56) **References Cited**

**U.S. PATENT DOCUMENTS**

- 2,429,050 A \* 10/1947 Decker ..... B61D 33/00  
297/188.03
- 4,153,313 A \* 5/1979 Propst ..... E06B 5/006  
232/43.1
- D330,639 S \* 11/1992 Munro ..... 297/17
- 5,588,725 A \* 12/1996 Frank ..... A47B 81/00  
312/204
- D385,125 S \* 10/1997 Zapf ..... D6/642
- D430,749 S \* 9/2000 Natuzzi ..... D6/334
- D495,511 S \* 9/2004 Dingess ..... D6/368

- D809,366 S \* 2/2018 Gokcebay ..... D8/331
- D826,602 S \* 8/2018 Allen ..... D6/664
- 2010/0148552 A1 \* 6/2010 Bredl ..... B64D 25/10  
297/228.13
- 2016/0128490 A1 \* 5/2016 Cheng ..... A47C 27/10  
5/655.3

\* cited by examiner

*Primary Examiner* — Kevin K Rudzinski

*Assistant Examiner* — Paul D Bohannon

(74) *Attorney, Agent, or Firm* — James E. Walton

(57) **CLAIM**

The ornamental design for a locker with folding seat back, as shown and described.

**DESCRIPTION**

FIG. 1 is a perspective view of a locker with folding seat back according to the present application.

FIG. 2 is a front view of the locker with folding seat back of FIG. 1.

FIG. 3 is a rear view of the locker with folding seat back of FIG. 1.

FIG. 4 is a right side view of the locker with folding seat back of FIG. 1.

FIG. 5 is a left side view of the locker with folding seat back of FIG. 1.

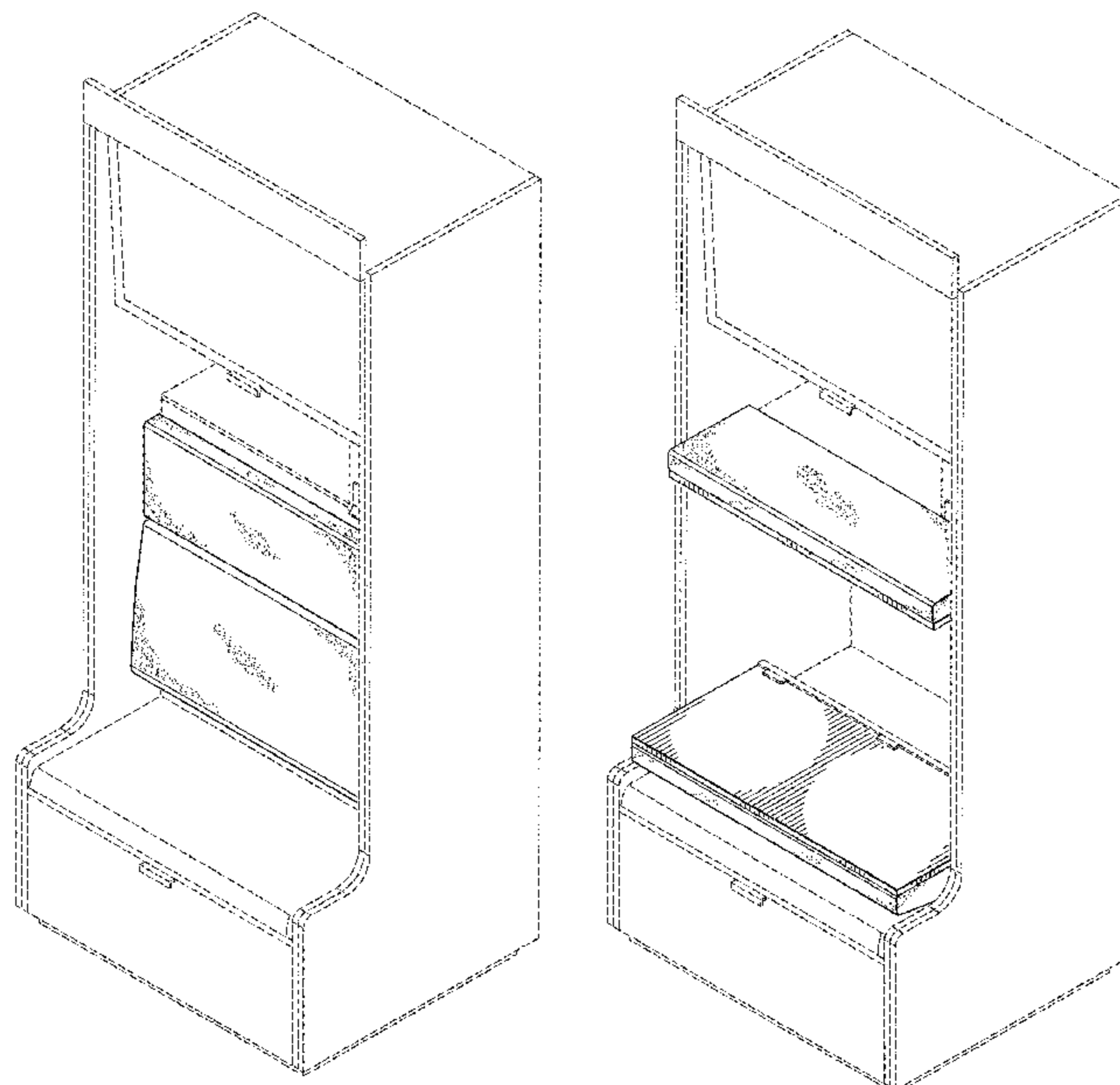
FIG. 6 is a top view of the locker with folding seat back of FIG. 1.

FIG. 7 is a bottom view of the locker with folding seat back of FIG. 1; and,

FIG. 8 is a perspective view of the locker with folding seat back of FIG. 1 shown with the seat back folded out according to the present application.

The evenly-spaced broken lines in all views are for the purpose of illustrating environmental structure, and form no part of the claimed design.

**1 Claim, 6 Drawing Sheets**



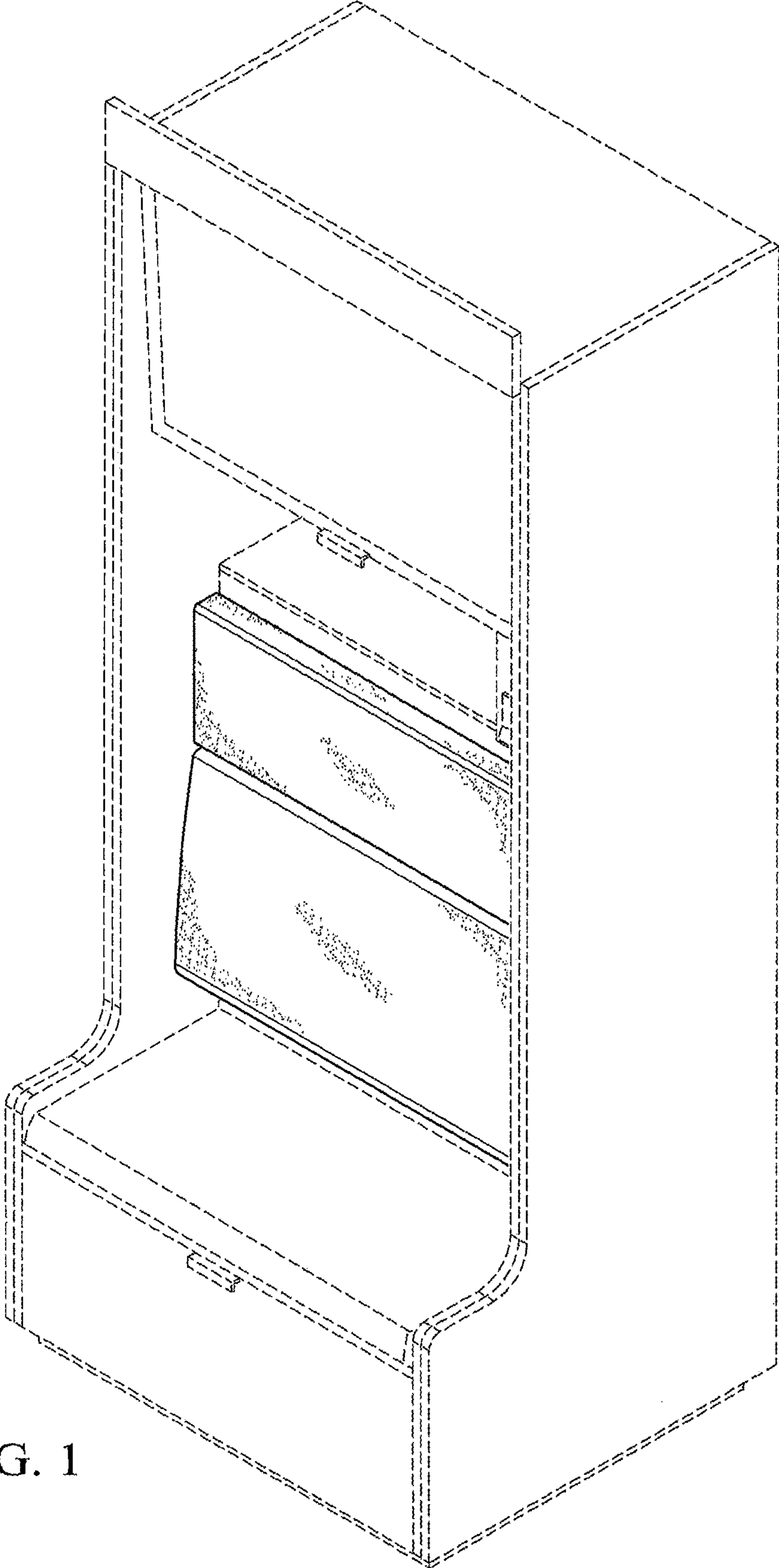


FIG. 1

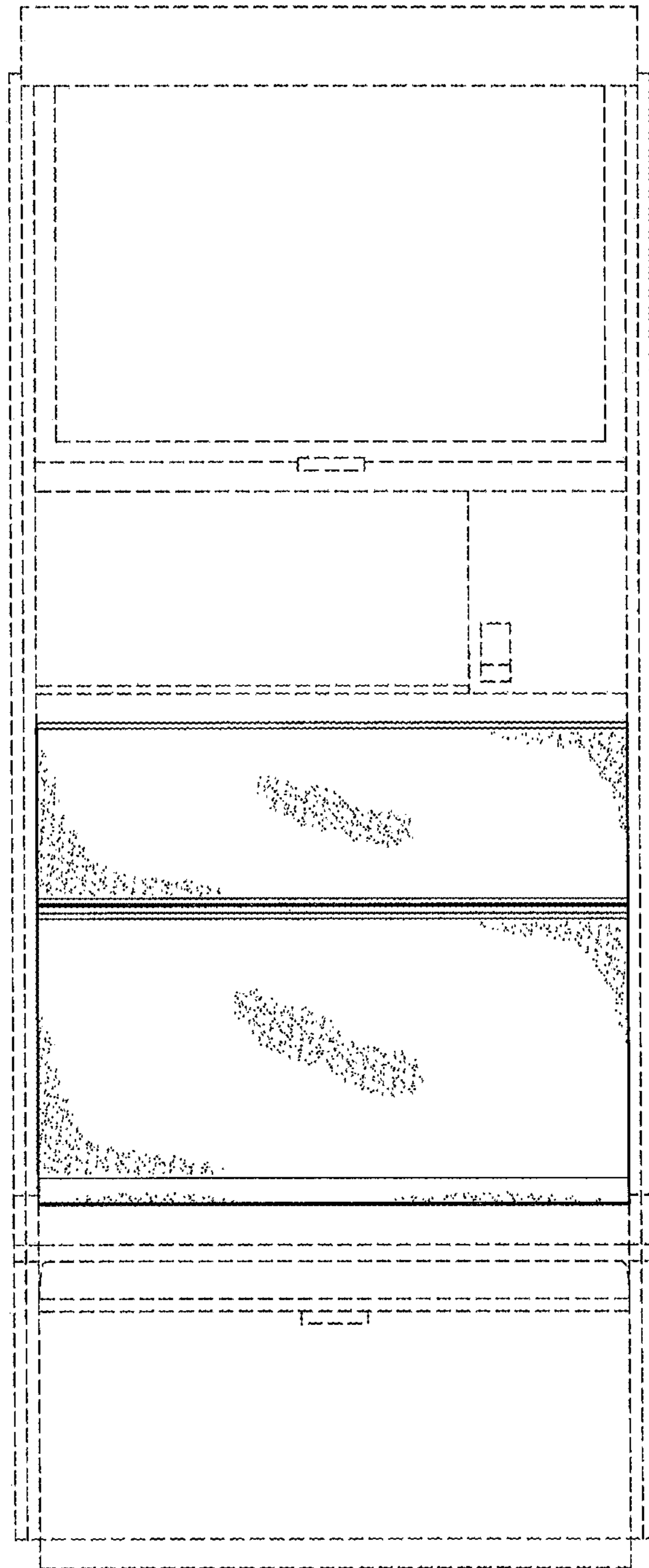


FIG. 2

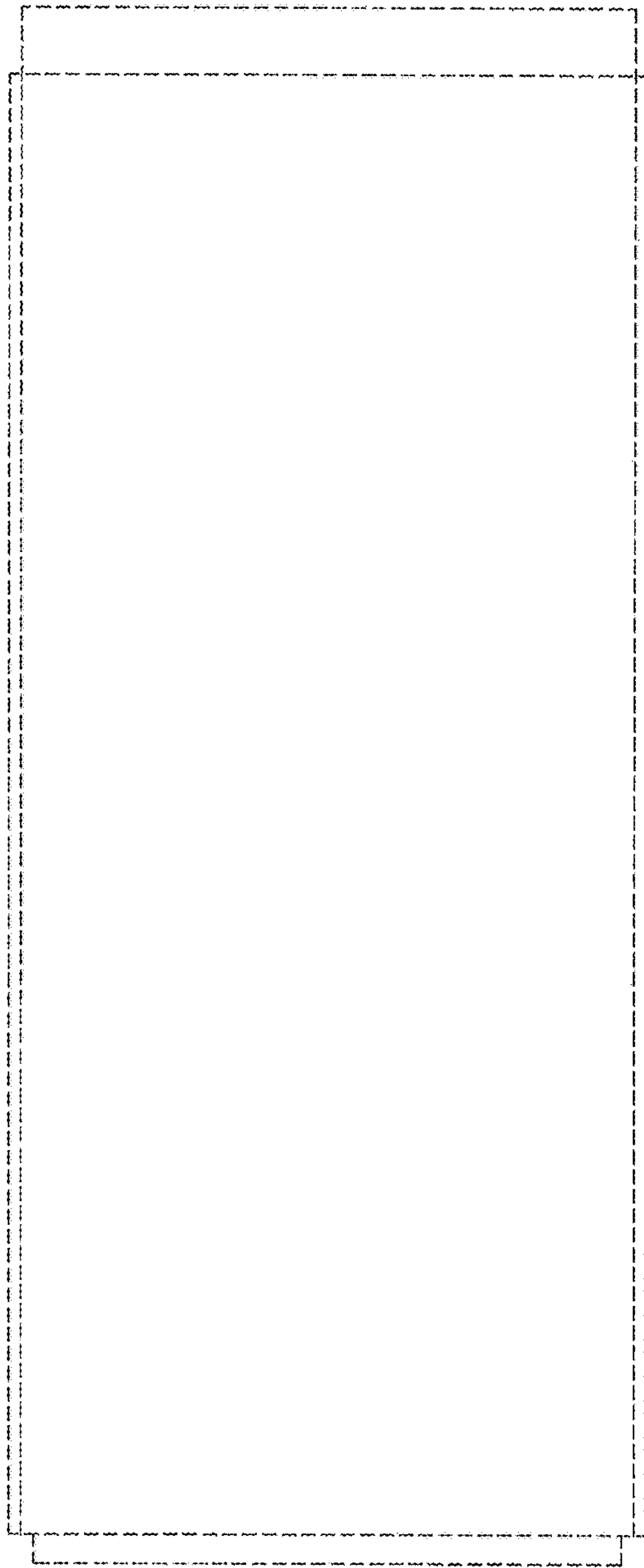


FIG. 3

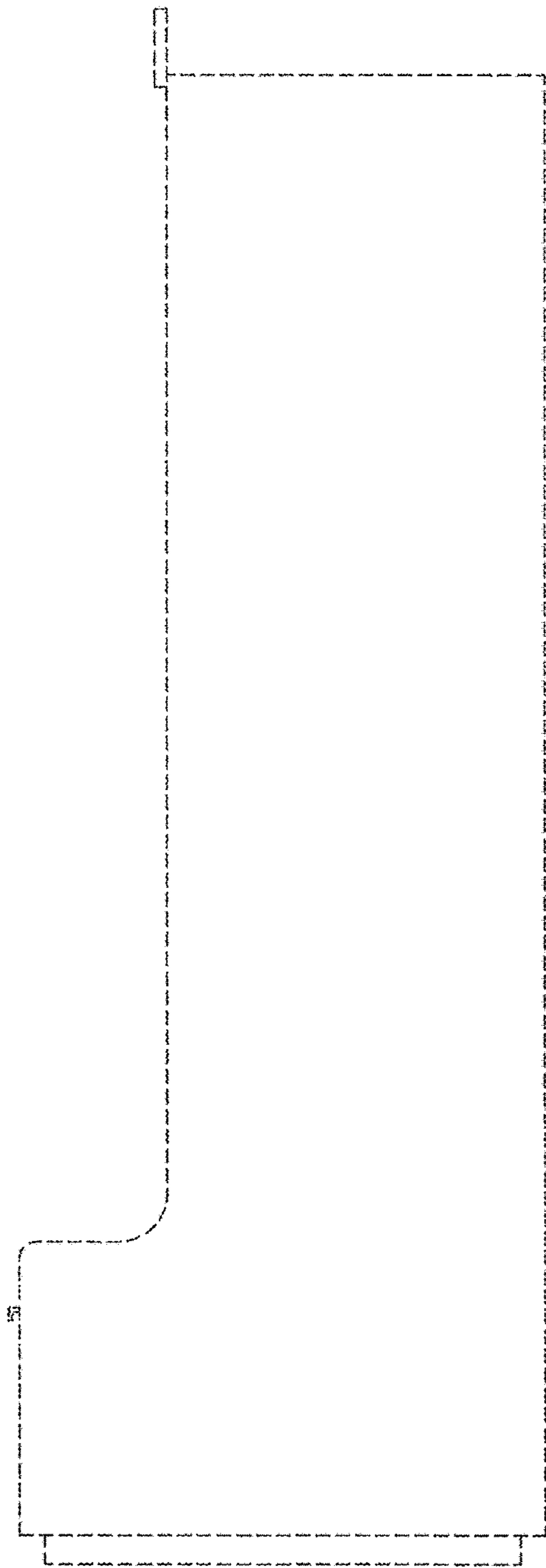


FIG. 4

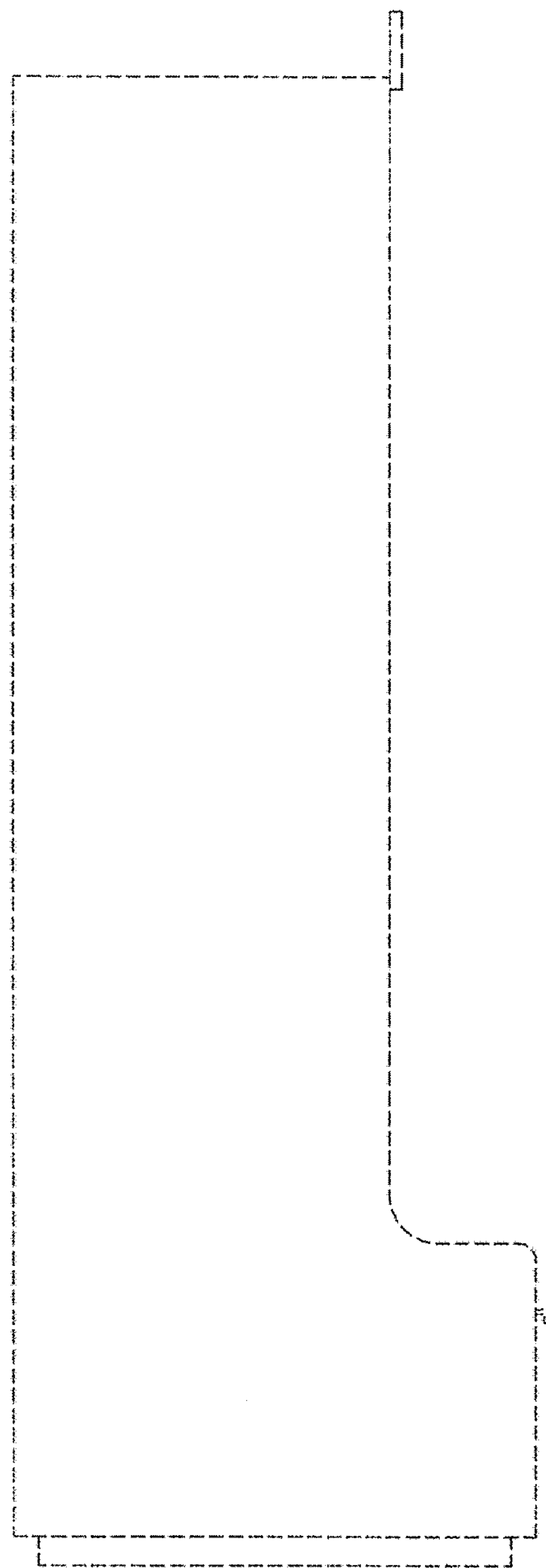


FIG. 5

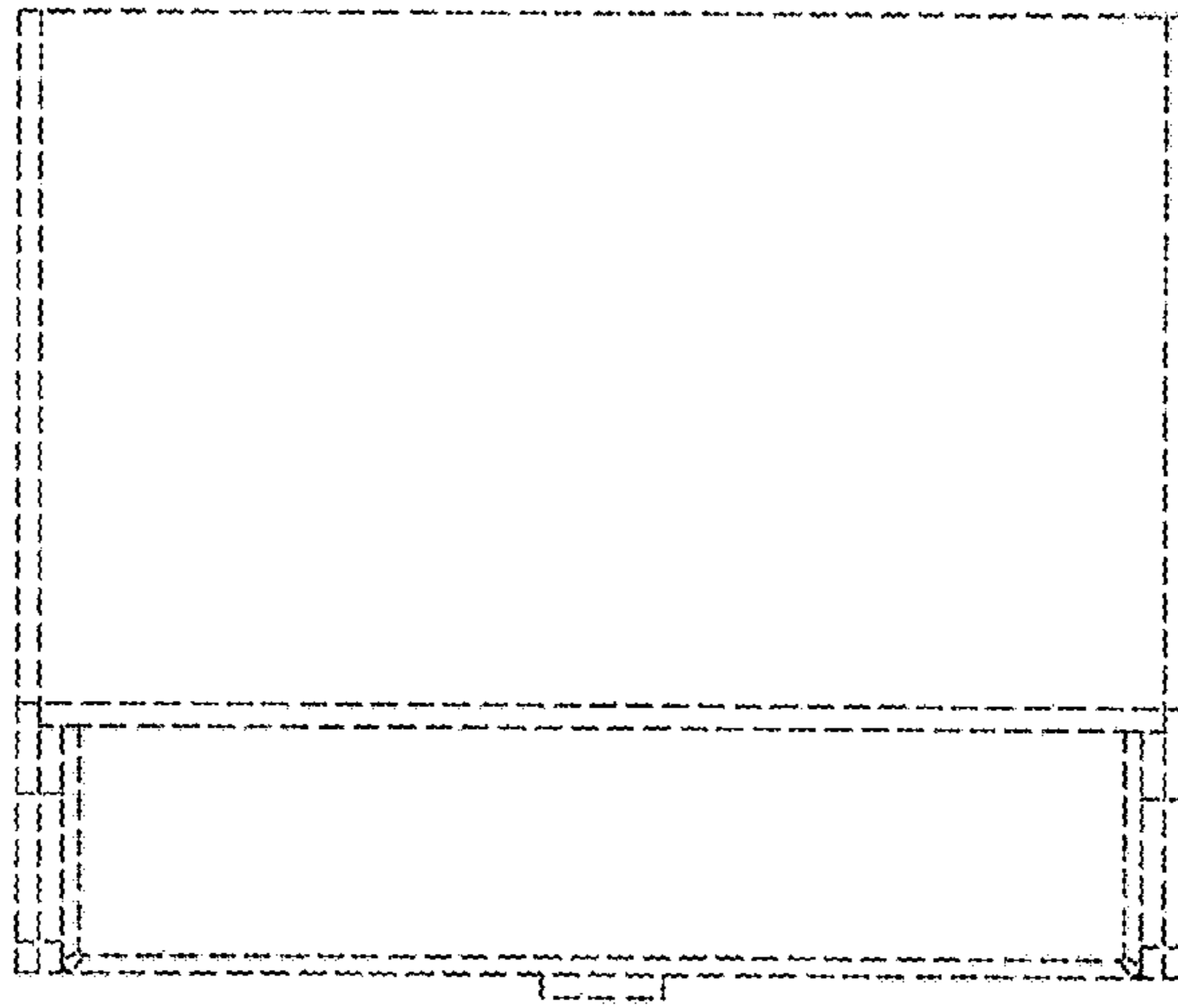


FIG. 6

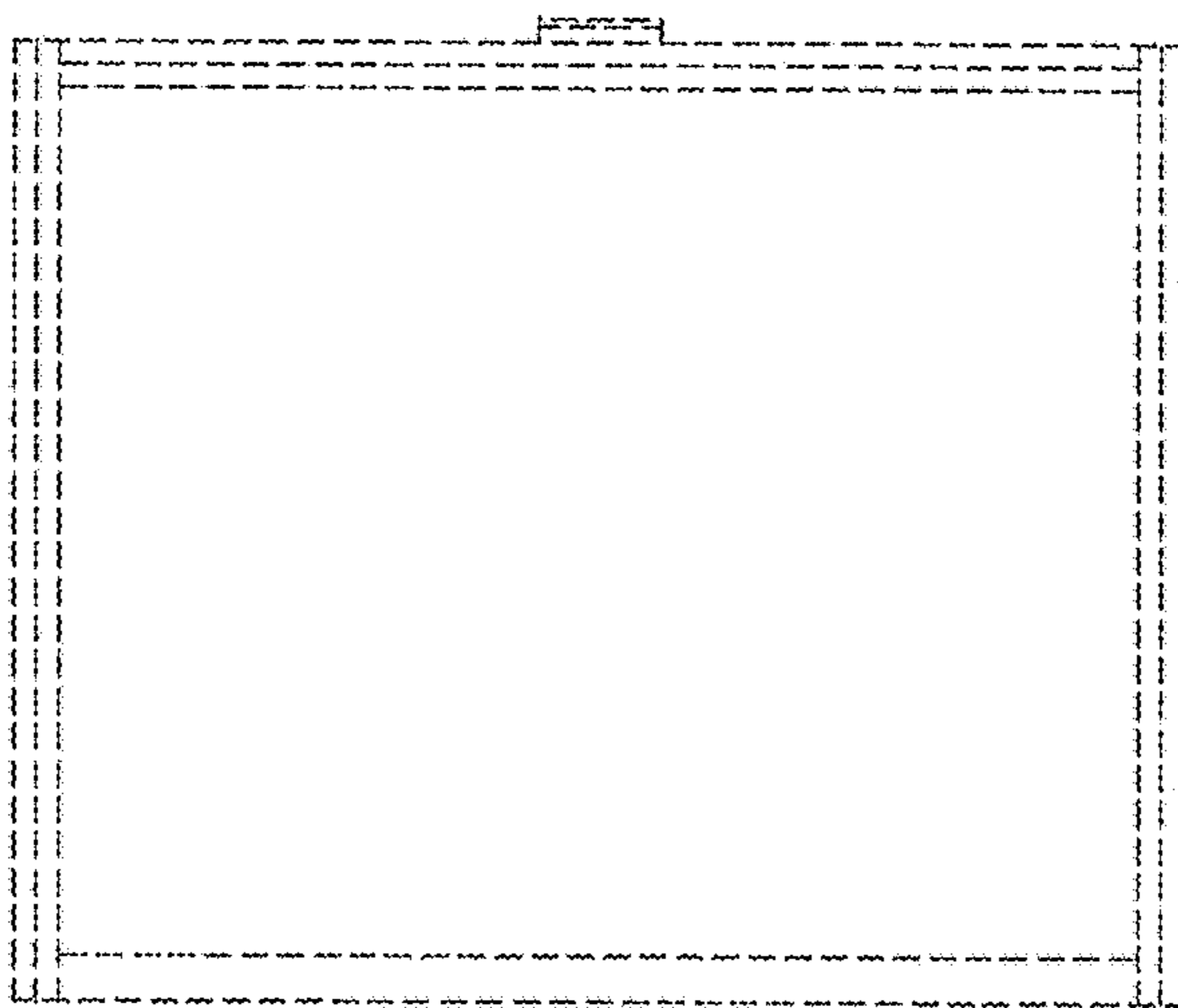


FIG. 7

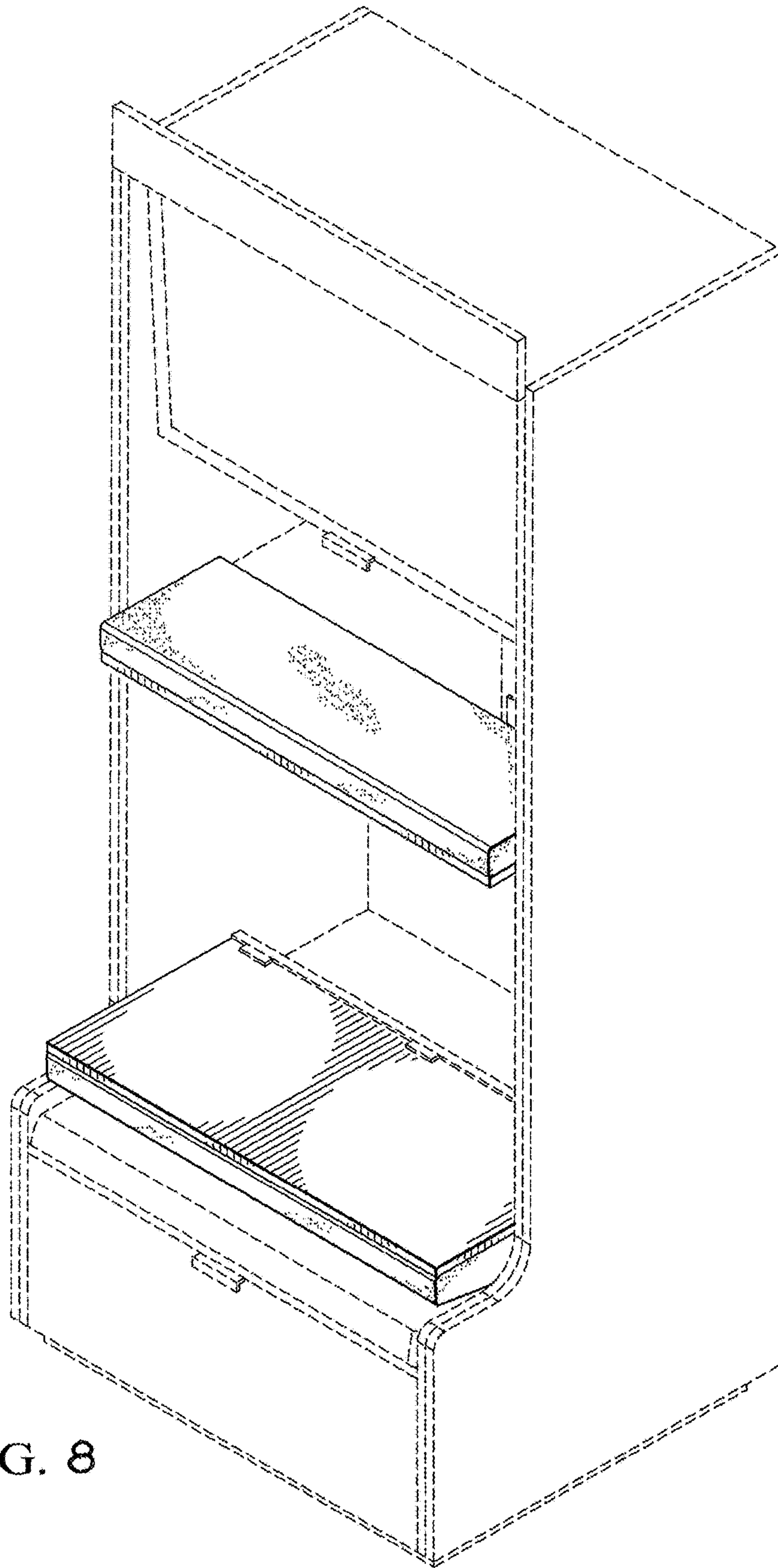


FIG. 8