



US00D845679S

(12) **United States Design Patent**
Li

(10) **Patent No.:** **US D845,679 S**

(45) **Date of Patent:** **** Apr. 16, 2019**

(54) **COMPUTER DESK**

(71) Applicant: **Homy Casa Limited**, Hong Kong (HK)

(72) Inventor: **YueHai Li**, Guangzhou (CN)

(73) Assignee: **HOMY CASA LIMITED**, Sheung Wan (HK)

(**) Term: **15 Years**

(21) Appl. No.: **29/633,424**

(22) Filed: **Jan. 13, 2018**

(51) **LOC (11) Cl.** **06-03**

(52) **U.S. Cl.**
USPC **D6/656**

(58) **Field of Classification Search**
USPC D6/652, 654, 654.1, 654.17, 655, 655.1, D6/655.11, 655.13, 655.14, 655.18, 656, D6/656.12, 656.13, 656.15, 656.16, D6/656.17, 656.19, 675, 686, 687, 688, D6/691, 698, 707.19, 708.21
CPC .. A47B 3/00; A47B 3/08; A47B 3/083; A47B 3/087; A47B 21/00; A47B 21/02; A47B 21/03; A47B 21/06; A47B 21/0073; A47B 21/0076; A47B 21/0314
See application file for complete search history.

(56) **References Cited**

U.S. PATENT DOCUMENTS

4,333,638 A * 6/1982 Gillotti A47B 3/087
108/36
4,776,429 A * 10/1988 Osborn B65G 69/22
182/144

D332,364 S * 1/1993 Bennett D6/691
6,182,578 B1 * 2/2001 Fanuzzi A47B 3/0912
108/132
D438,402 S * 3/2001 Walsh D19/75
D452,085 S * 12/2001 Chang D6/652
D547,970 S * 8/2007 Chou D6/655.1
D603,627 S * 11/2009 Wen D6/656.16
D618,017 S * 6/2010 Sexton D6/656.18
D833,181 S * 11/2018 Kundig D6/656.1
2002/0129746 A1 * 9/2002 Donnelly A47B 13/16
108/25

* cited by examiner

Primary Examiner — Mary Ann Calabrese

Assistant Examiner — Catherine Ho

(74) *Attorney, Agent, or Firm* — Hauptman Ham, LLP

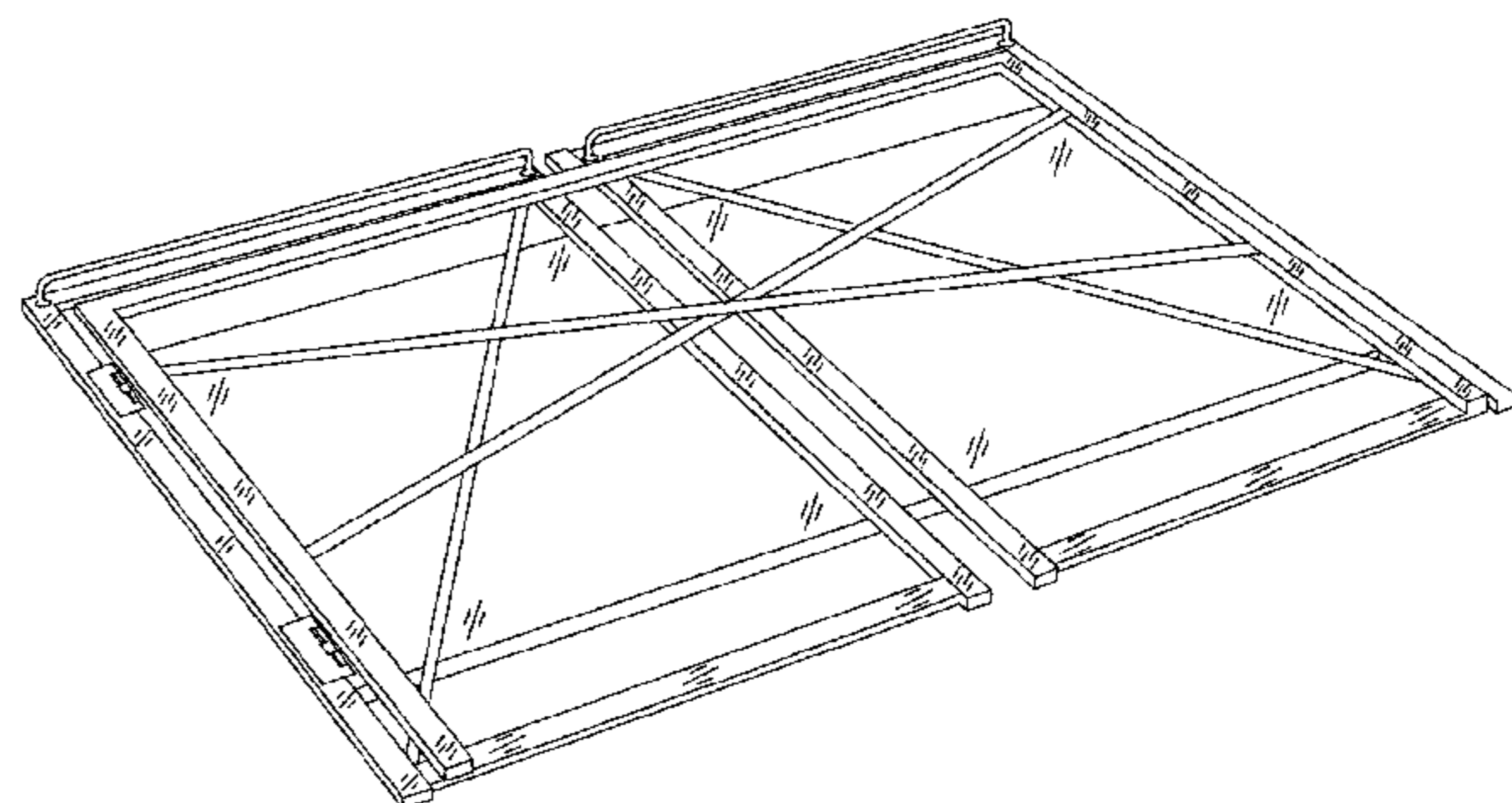
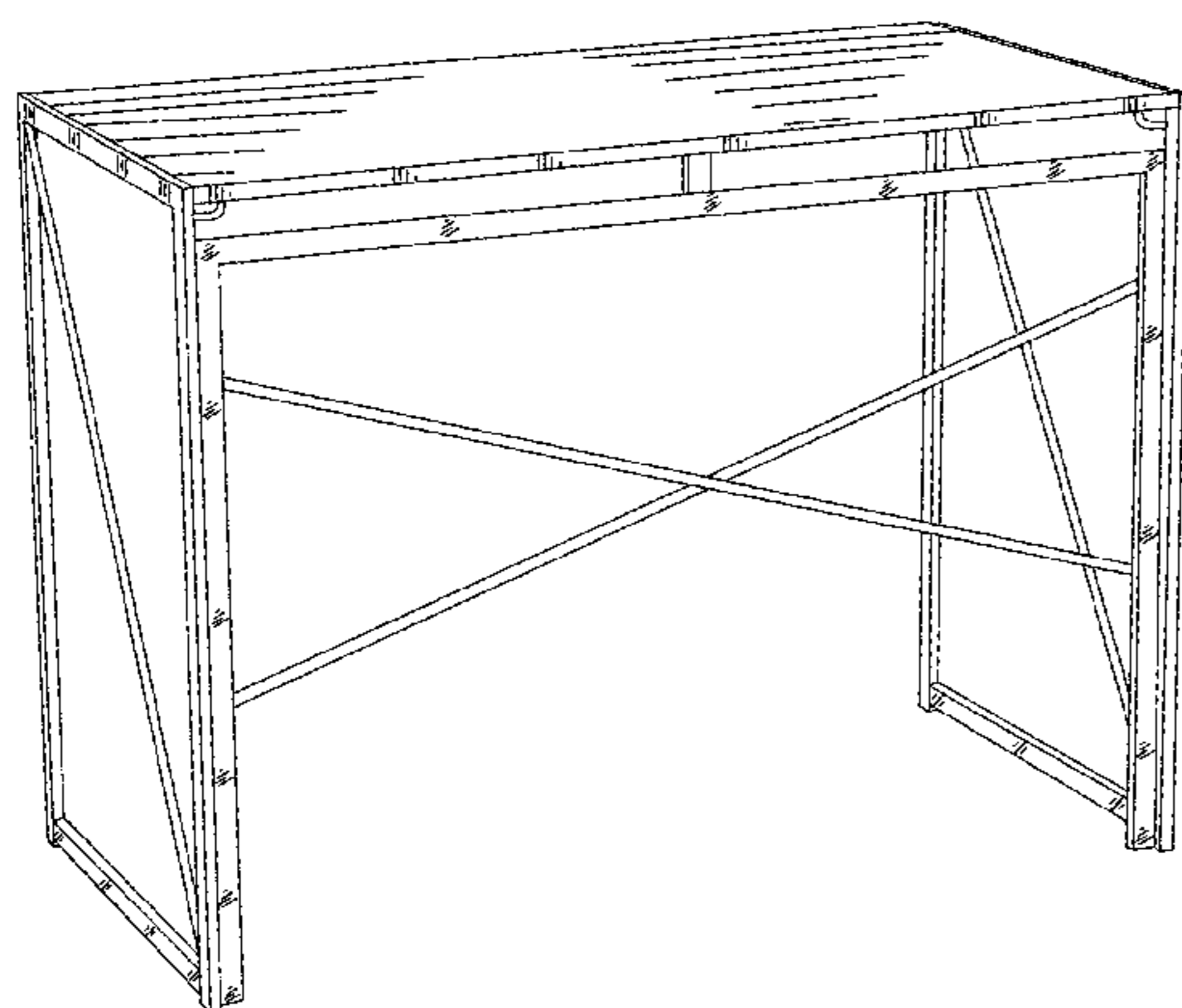
(57) **CLAIM**

I claim the ornamental design for a computer desk, as shown.

DESCRIPTION

FIG. 1 is a back view of a computer desk, showing my new design;
FIG. 2 is a front view thereof;
FIG. 3 is a left view thereof;
FIG. 4 is a right view thereof;
FIG. 5 is a top view thereof;
FIG. 6 is a bottom view thereof
FIG. 7 is a perspective view thereof; and,
FIG. 8 is a bottom perspective view of a computer desk in a collapsed position.

1 Claim, 8 Drawing Sheets



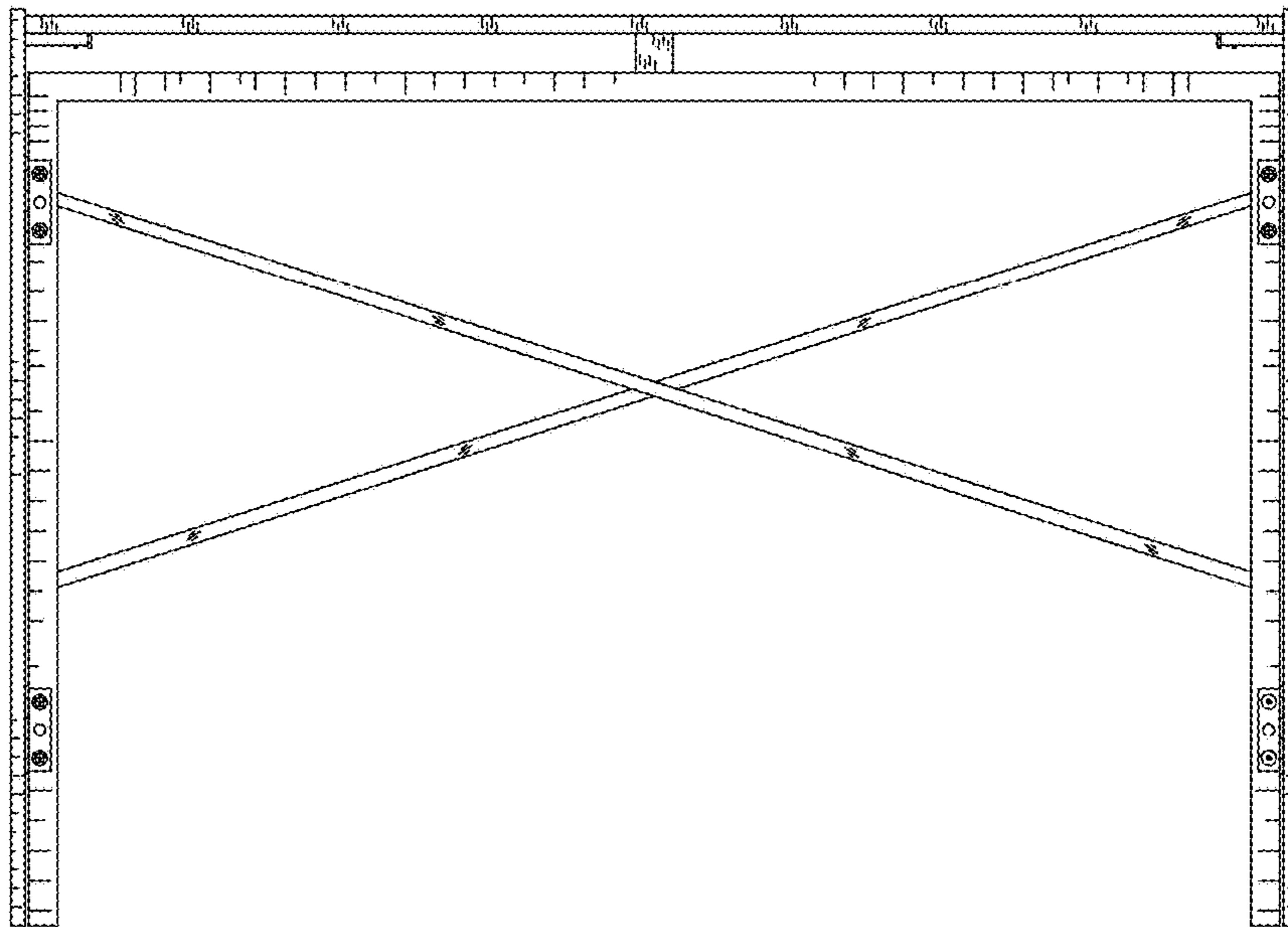


FIG. 1

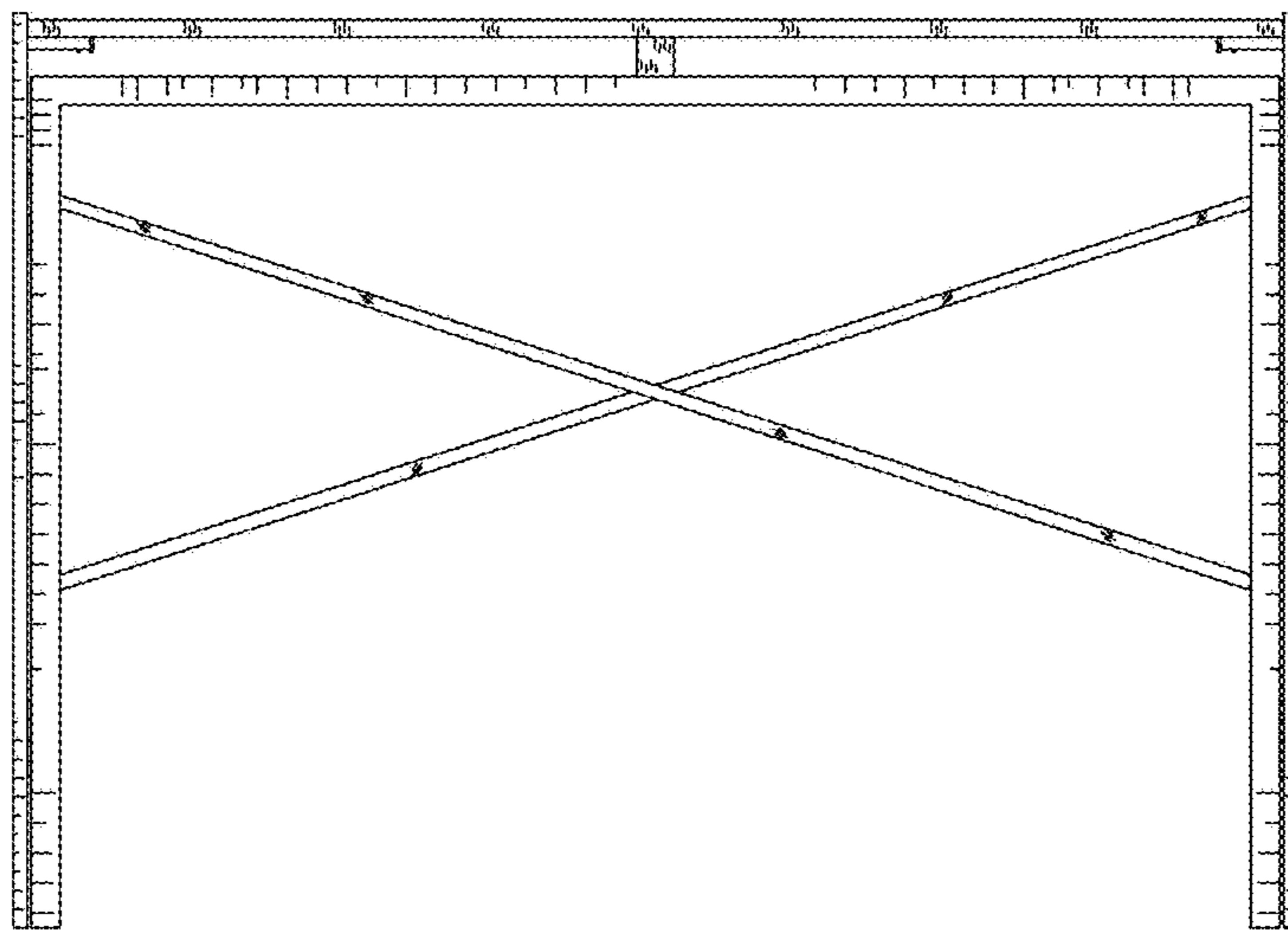


FIG. 2

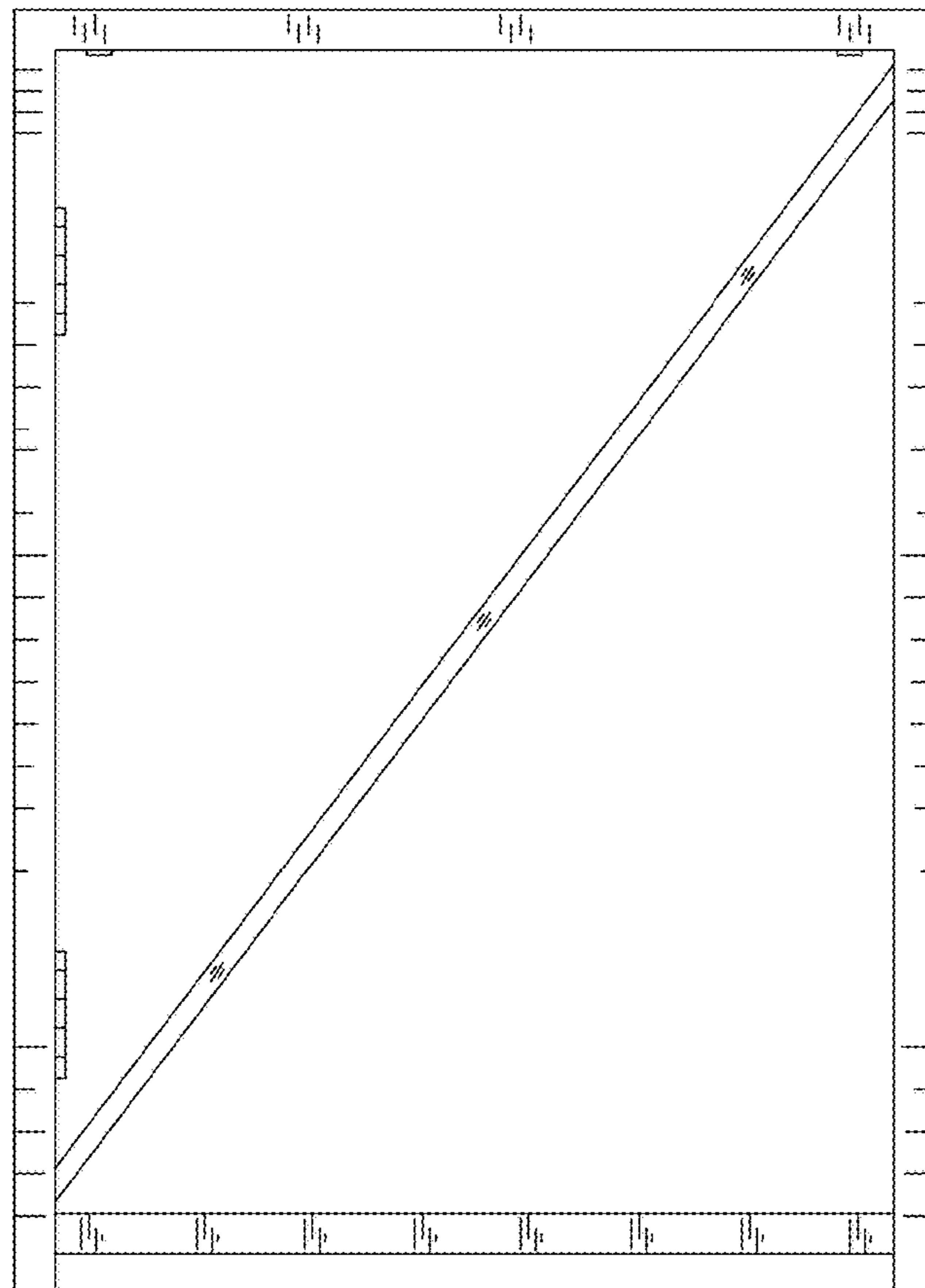


FIG. 3

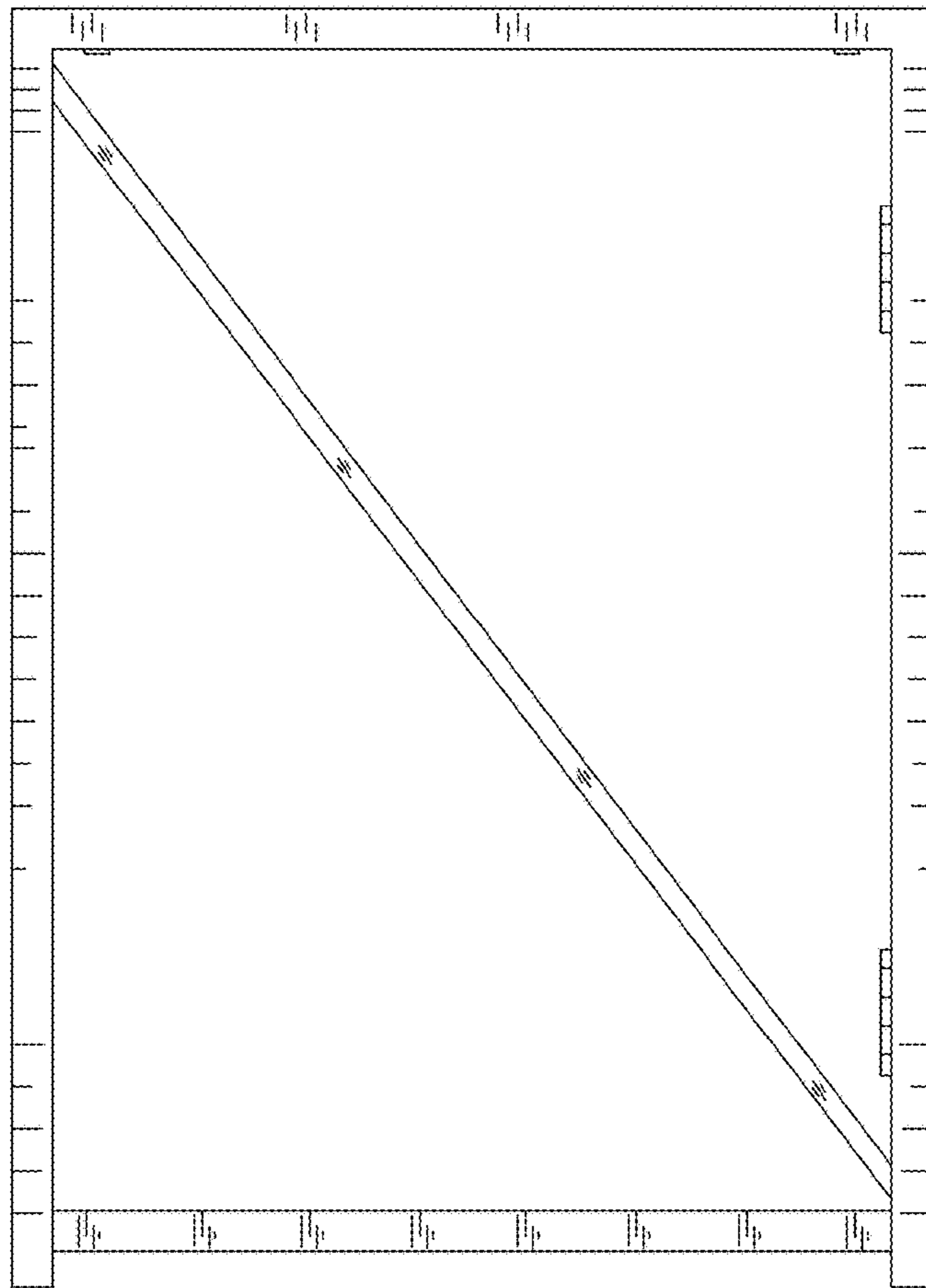


FIG. 4

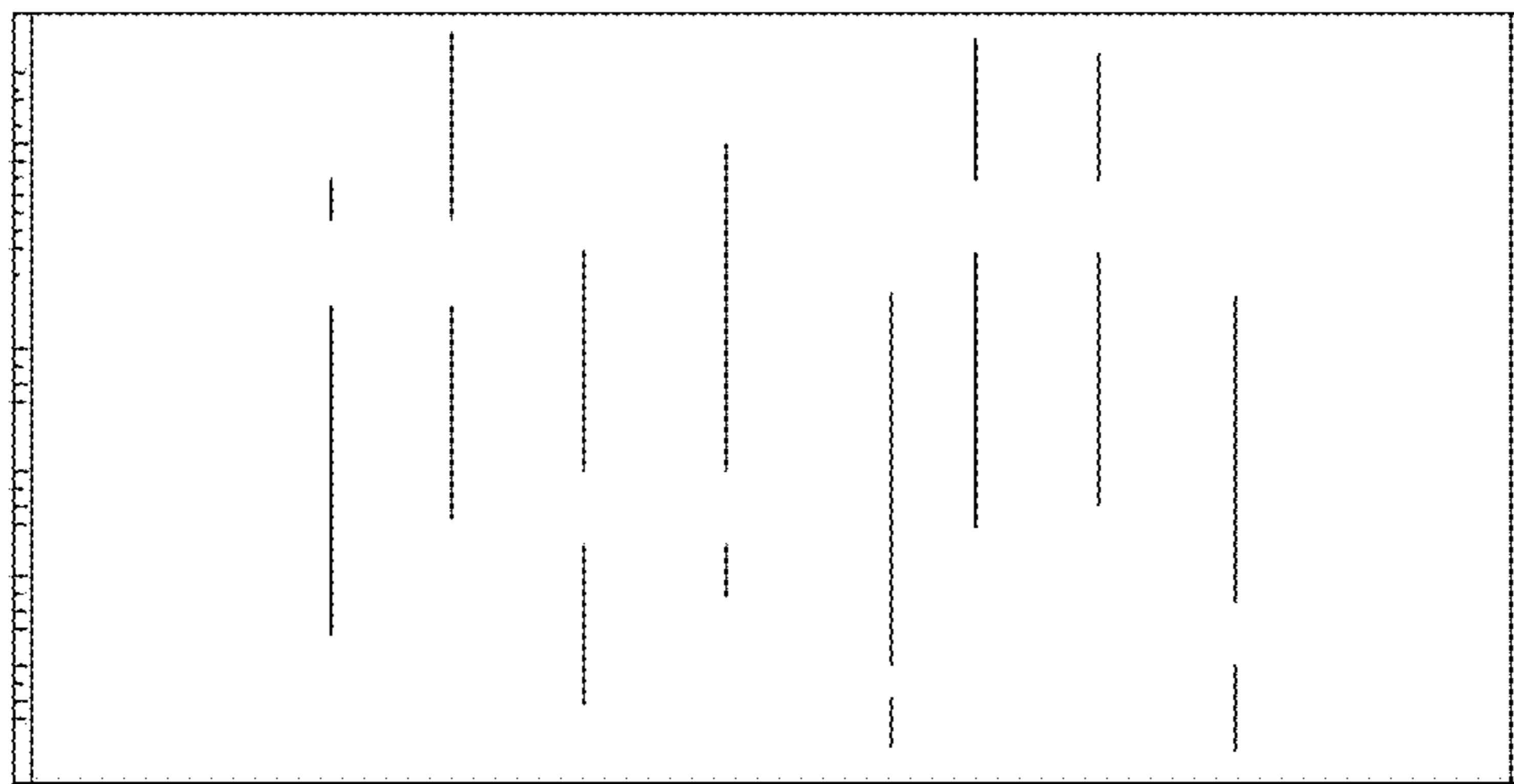


FIG. 5

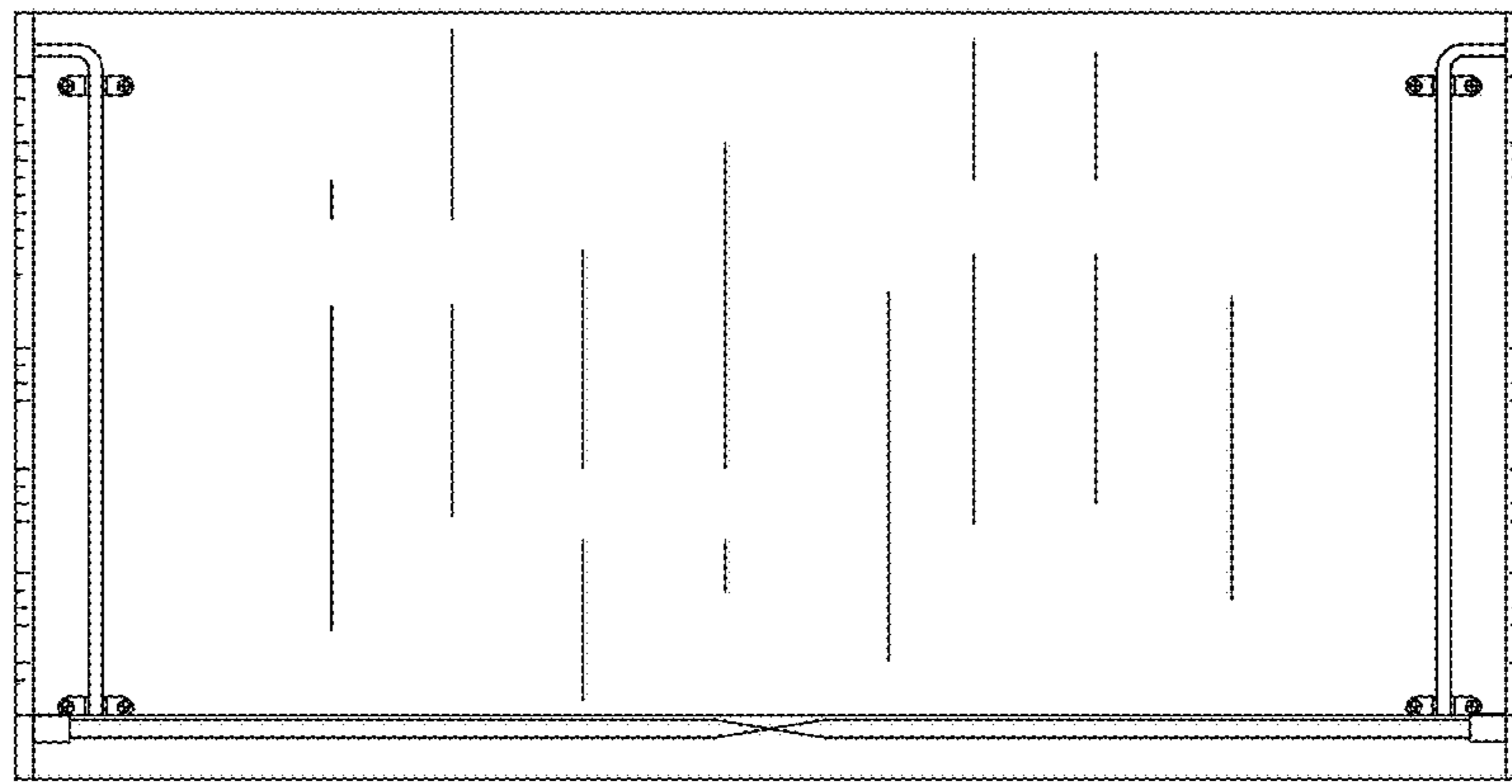


FIG. 6

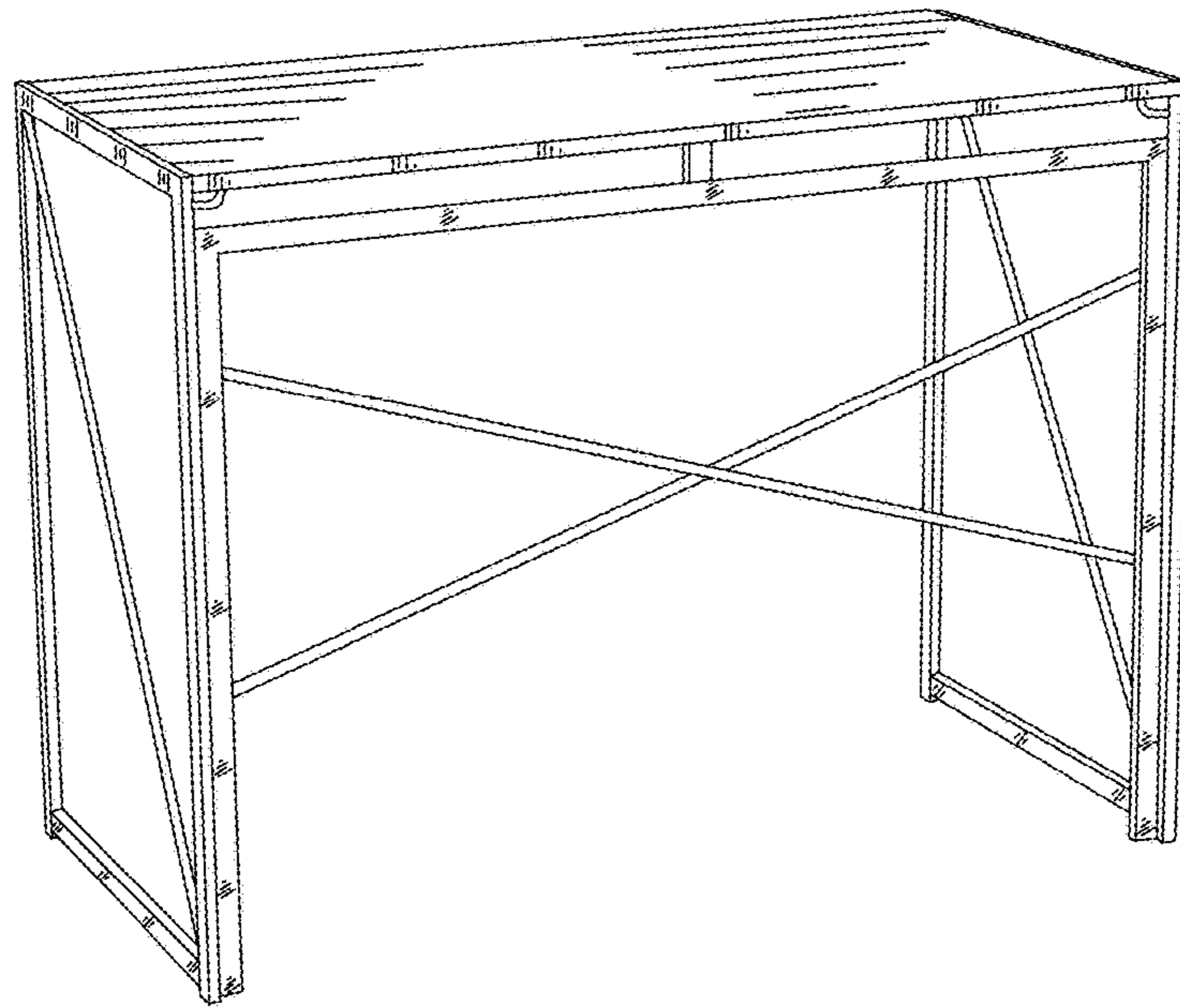


FIG. 7

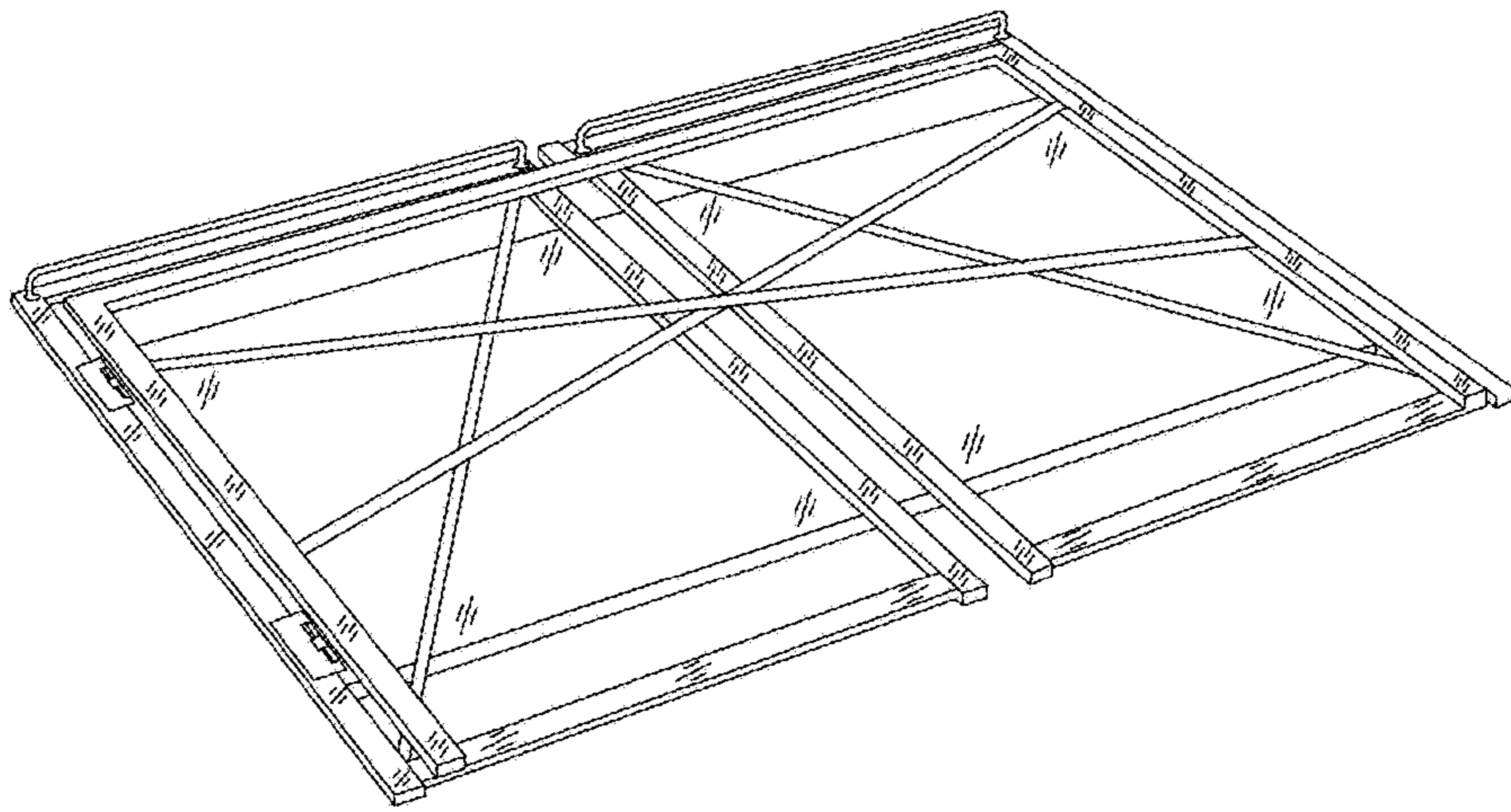


FIG. 8