



US00D845678S

(12) **United States Design Patent**  
**Laudadio et al.**

(10) **Patent No.:** **US D845,678 S**

(45) **Date of Patent:** **\*\* Apr. 16, 2019**

(54) **HEIGHT-ADJUSTABLE DESKTOP**

(71) Applicant: **Versa Products Inc**, Los Angeles, CA  
(US)

(72) Inventors: **Christopher Laudadio**, Beverly Hills,  
CA (US); **Aryan Jafari**, Los Angeles,  
CA (US)

(\*\*) Term: **15 Years**

(21) Appl. No.: **29/570,516**

(22) Filed: **Jul. 8, 2016**

(51) **LOC (11) Cl.** ..... **06-03**

(52) **U.S. Cl.**  
USPC ..... **D6/649**

(58) **Field of Classification Search**  
USPC ..... D6/641, 642, 648, 648.1, 648.2, 648.3,  
D6/648.4, 649, 653, 654.1, 655, 655.11,  
D6/655.13, 656, 656.15, 686, 699, 708,  
D6/708.16, 708.17, 709, 709.2  
CPC ..... A47B 7/00; A47B 13/08; A47B 13/10;  
A47B 21/00; A47B 2009/006; A47B  
11/00; A47B 2200/002; A47B 21/02;  
A47B 2200/0041  
See application file for complete search history.

(56) **References Cited**

**U.S. PATENT DOCUMENTS**

D266,468 S \* 10/1982 Ylanko ..... D6/656.19  
D274,586 S \* 7/1984 Cope ..... D6/653.21  
5,086,711 A \* 2/1992 Matthews ..... A47B 3/02  
108/119  
D424,827 S \* 5/2000 Ko ..... D6/653.21  
D424,828 S \* 5/2000 Ko ..... D6/653.1  
D436,268 S \* 1/2001 Ko ..... D6/653.21  
D464,212 S \* 10/2002 Chen ..... D6/653.1  
D507,902 S \* 8/2005 Cioncada ..... D6/647  
D546,588 S \* 7/2007 Massaud ..... D6/691  
D586,155 S \* 2/2009 Lenterman ..... D6/654

D743,192 S \* 11/2015 Davis ..... D6/691.5  
D771,981 S \* 11/2016 Flaherty ..... D6/655  
D771,982 S \* 11/2016 Flaherty ..... D6/655  
D775,877 S \* 1/2017 Lin ..... D6/691  
D781,617 S \* 3/2017 Flaherty ..... D6/655  
D781,618 S \* 3/2017 Flaherty ..... D6/655  
D781,619 S \* 3/2017 Flaherty ..... D6/655  
D784,050 S \* 4/2017 Flaherty ..... D6/655  
D785,386 S \* 5/2017 Flaherty ..... D6/707.15  
D785,989 S \* 5/2017 Flaherty ..... D6/696  
9,924,793 B2 \* 3/2018 Flaherty ..... A47B 9/16  
2014/0144352 A1 \* 5/2014 Roberts ..... A47B 21/0314  
108/96  
2017/0290413 A1 \* 10/2017 Hu ..... A47B 21/02

(Continued)

*Primary Examiner* — Mary Ann Calabrese

*Assistant Examiner* — Sloan Rozin

(57) **CLAIM**

The ornamental design for a height-adjustable desktop, as shown and described.

**DESCRIPTION**

FIG. 1 shows a front perspective view of a height-adjustable desktop;

FIG. 2 shows a front plan view of the height-adjustable desktop of FIG. 1;

FIG. 3 shows a rear plan view of the height-adjustable desktop of FIG. 1;

FIG. 4 shows a left plan view of the height-adjustable desktop of FIG. 1;

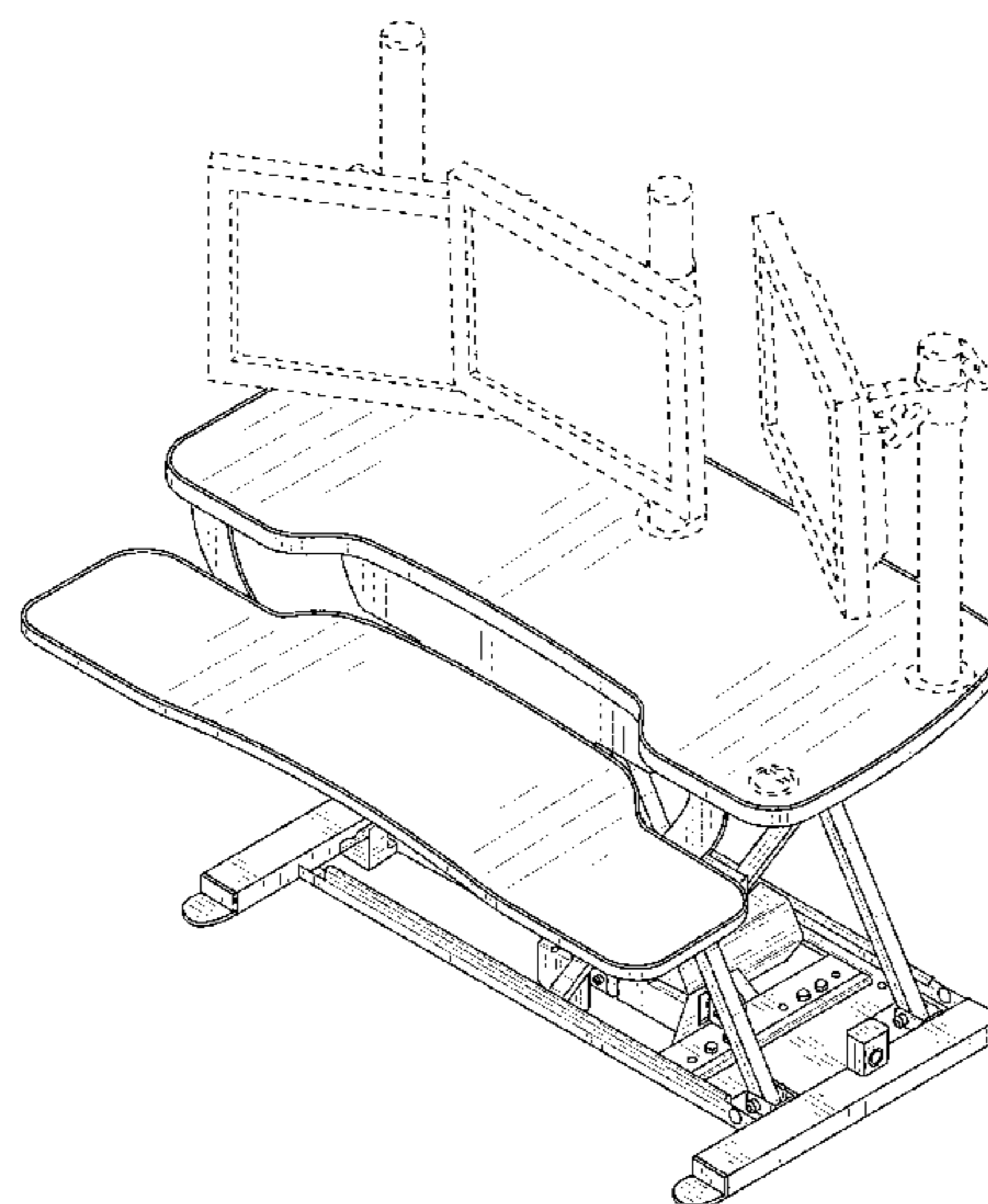
FIG. 5 shows a right plan view of the height-adjustable desktop of FIG. 1;

FIG. 6 shows a top plan view of the height-adjustable desktop of FIG. 1; and,

FIG. 7 shows a bottom plan view of the height-adjustable desktop of FIG. 1.

The broken lines are for illustrating unclaimed portions of the height-adjustable desktop and form no part of the claimed design.

**1 Claim, 7 Drawing Sheets**



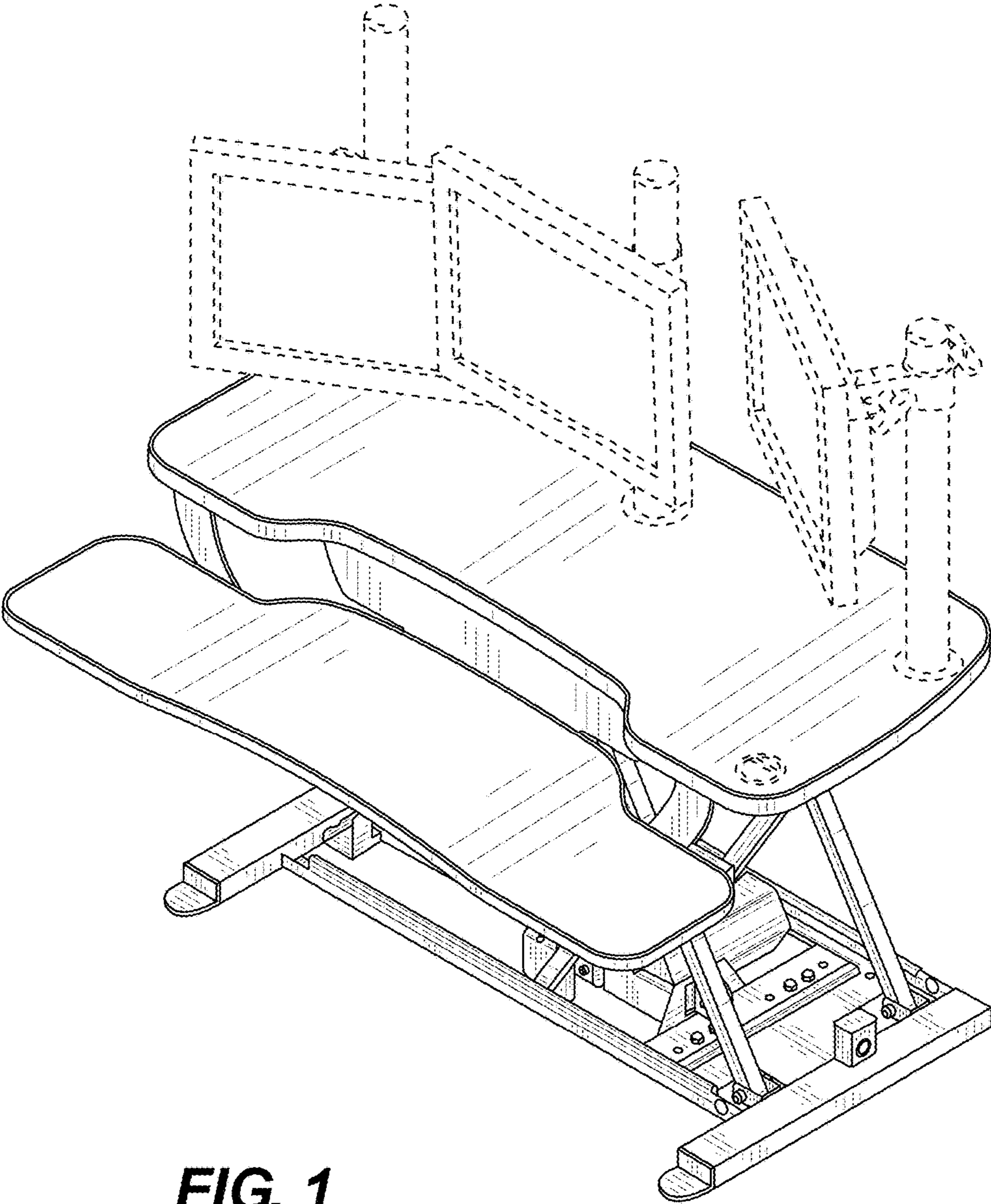
(56)

**References Cited**

U.S. PATENT DOCUMENTS

2017/0340104 A1\* 11/2017 Chuang ..... A47B 9/16  
2017/0354245 A1\* 12/2017 Martin ..... A47B 9/16  
2017/0360192 A1\* 12/2017 Hu ..... A47B 9/16  
2018/0000239 A1\* 1/2018 Knox ..... A47B 9/18  
2018/0008037 A1\* 1/2018 Laudadio ..... A47B 23/04  
2018/0055214 A1\* 3/2018 Kim ..... A47B 9/16  
2018/0084903 A1\* 3/2018 Liao ..... A47B 21/02

\* cited by examiner



**FIG. 1**

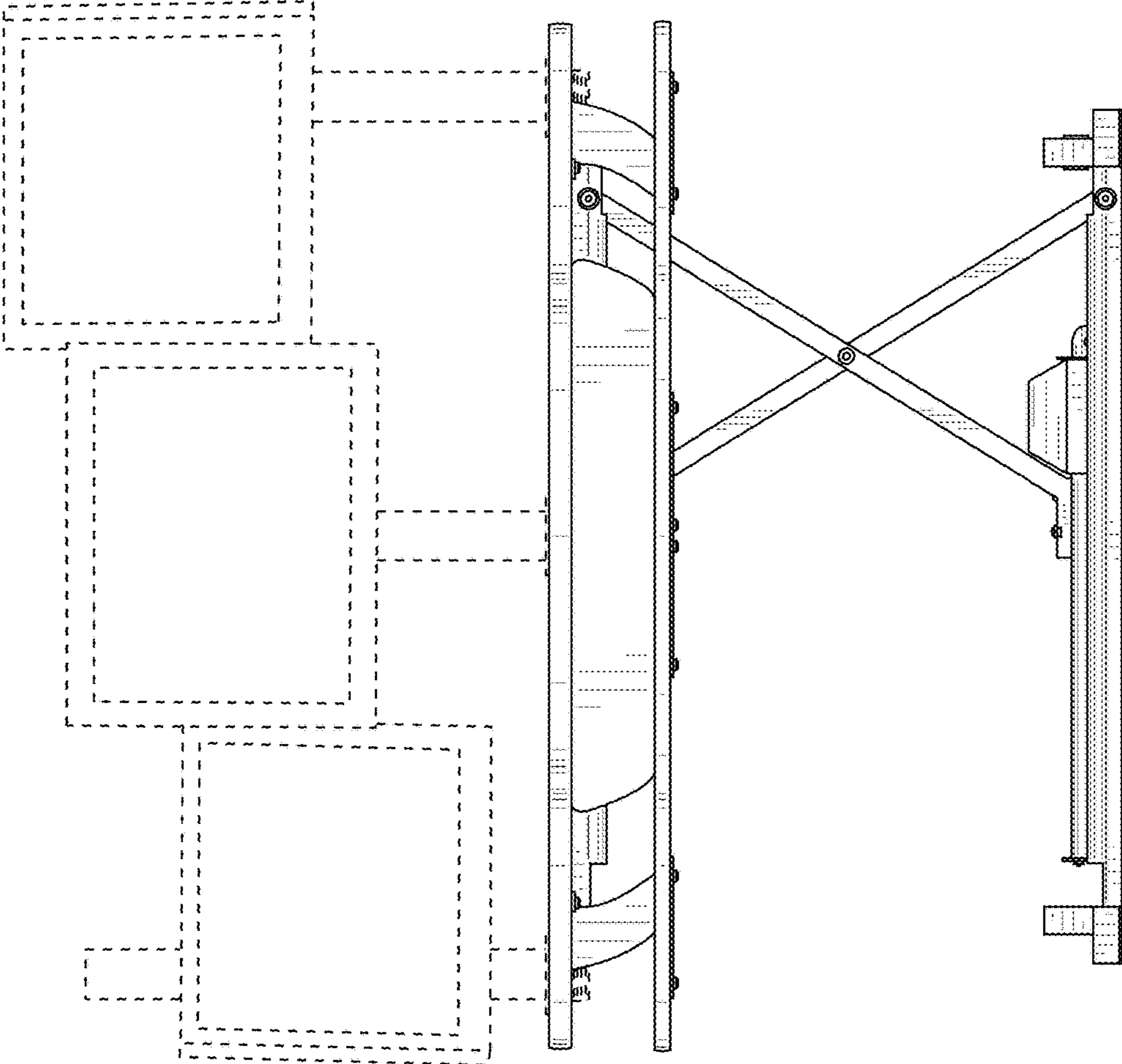


FIG. 2

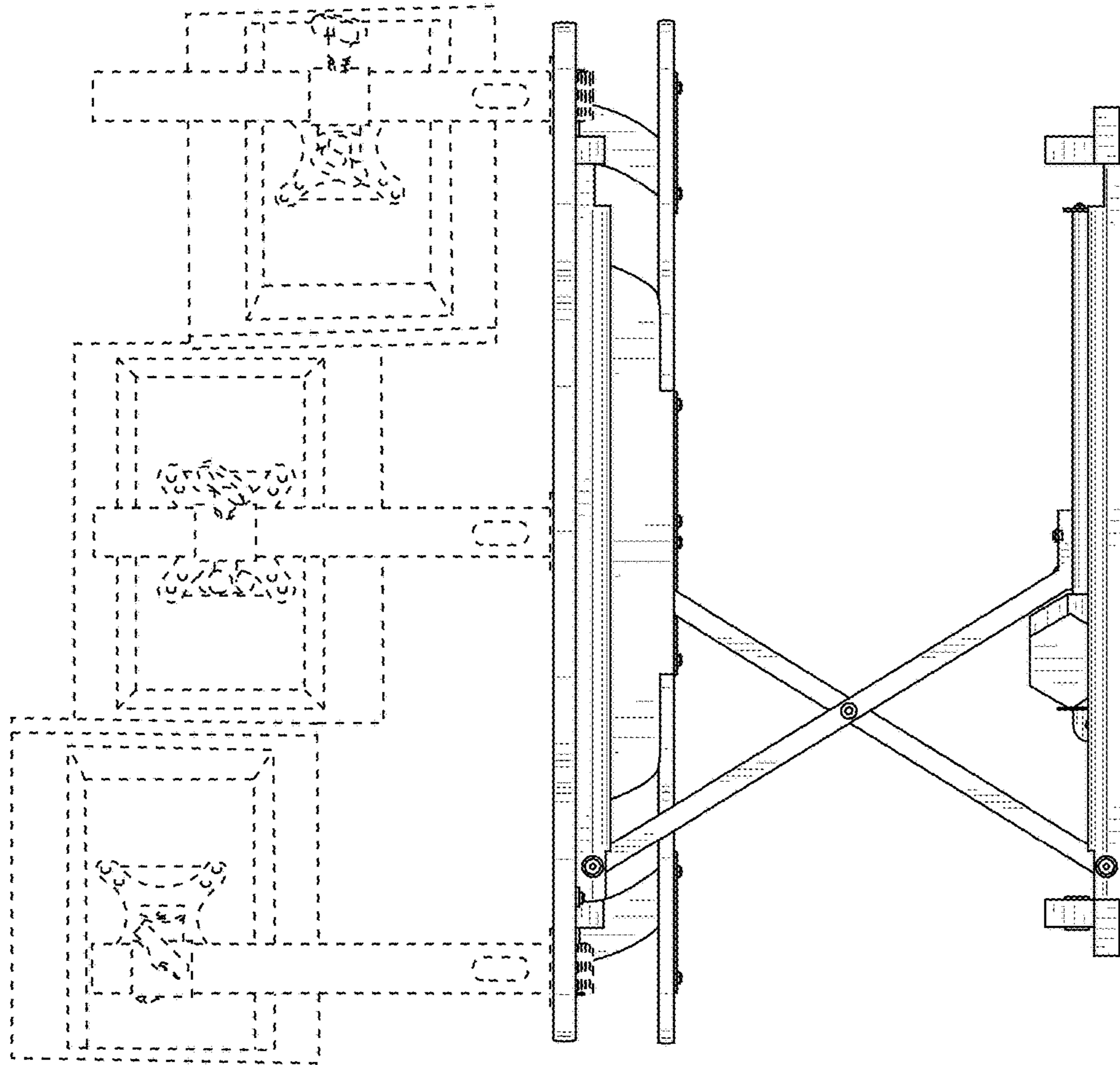
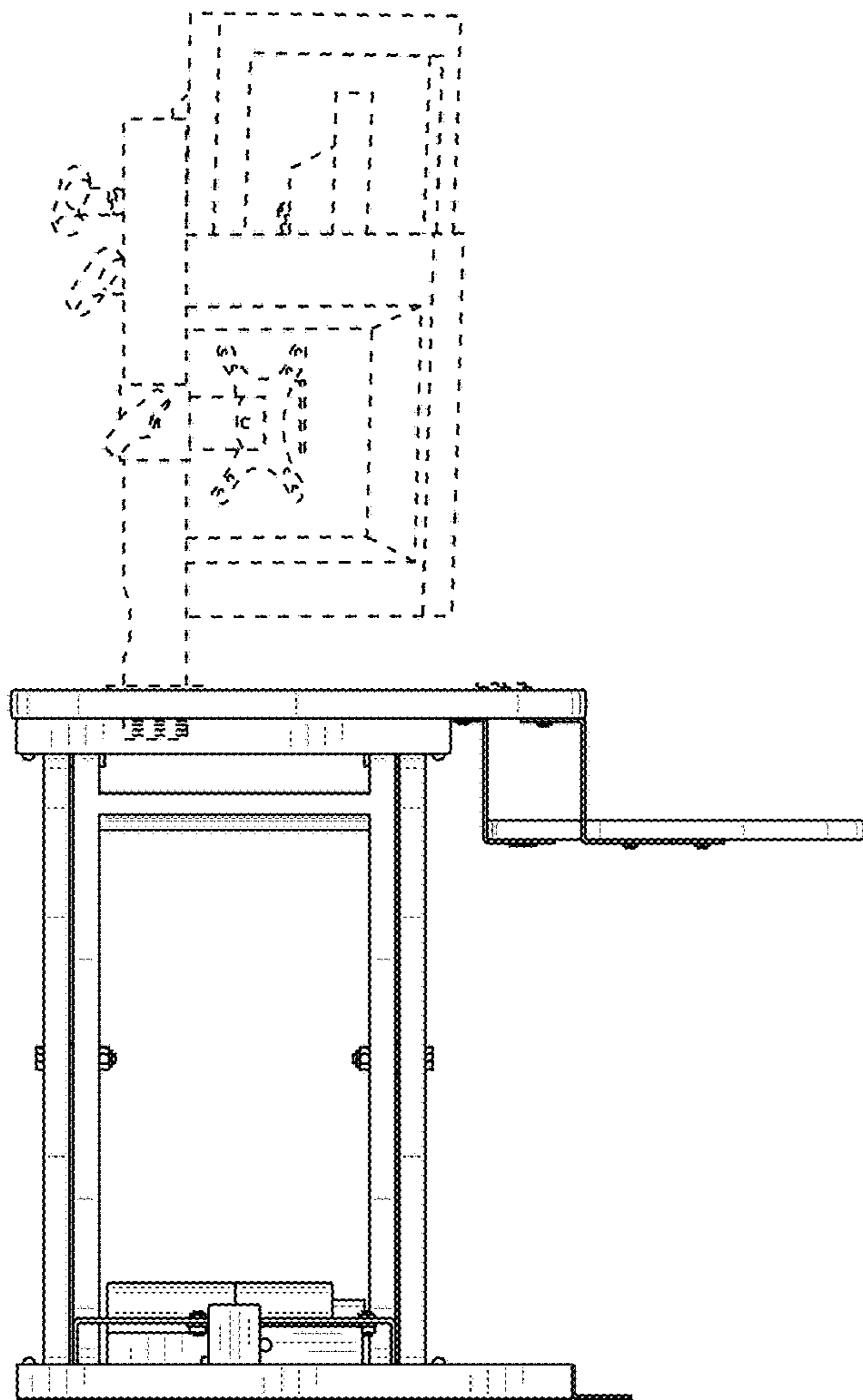
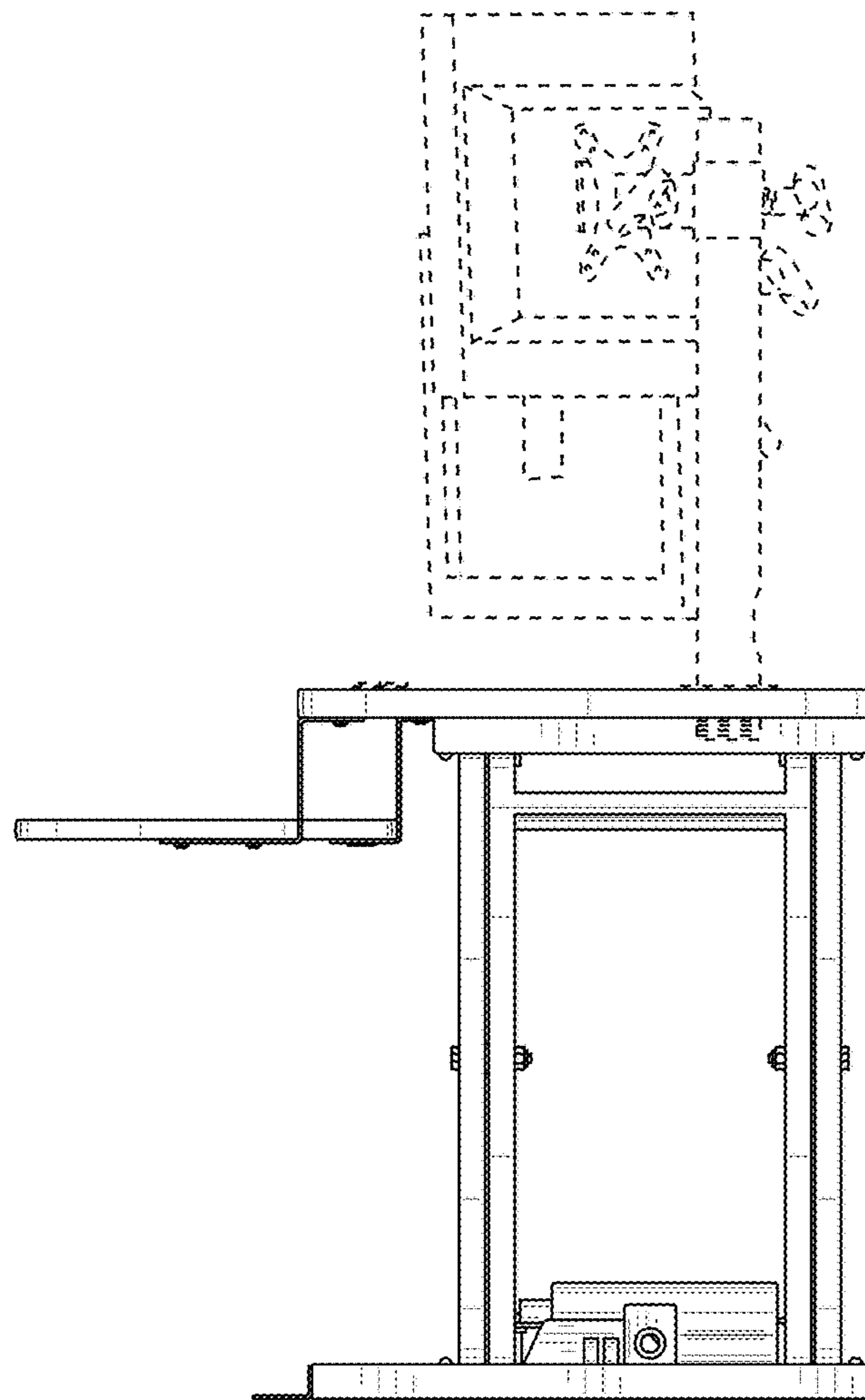


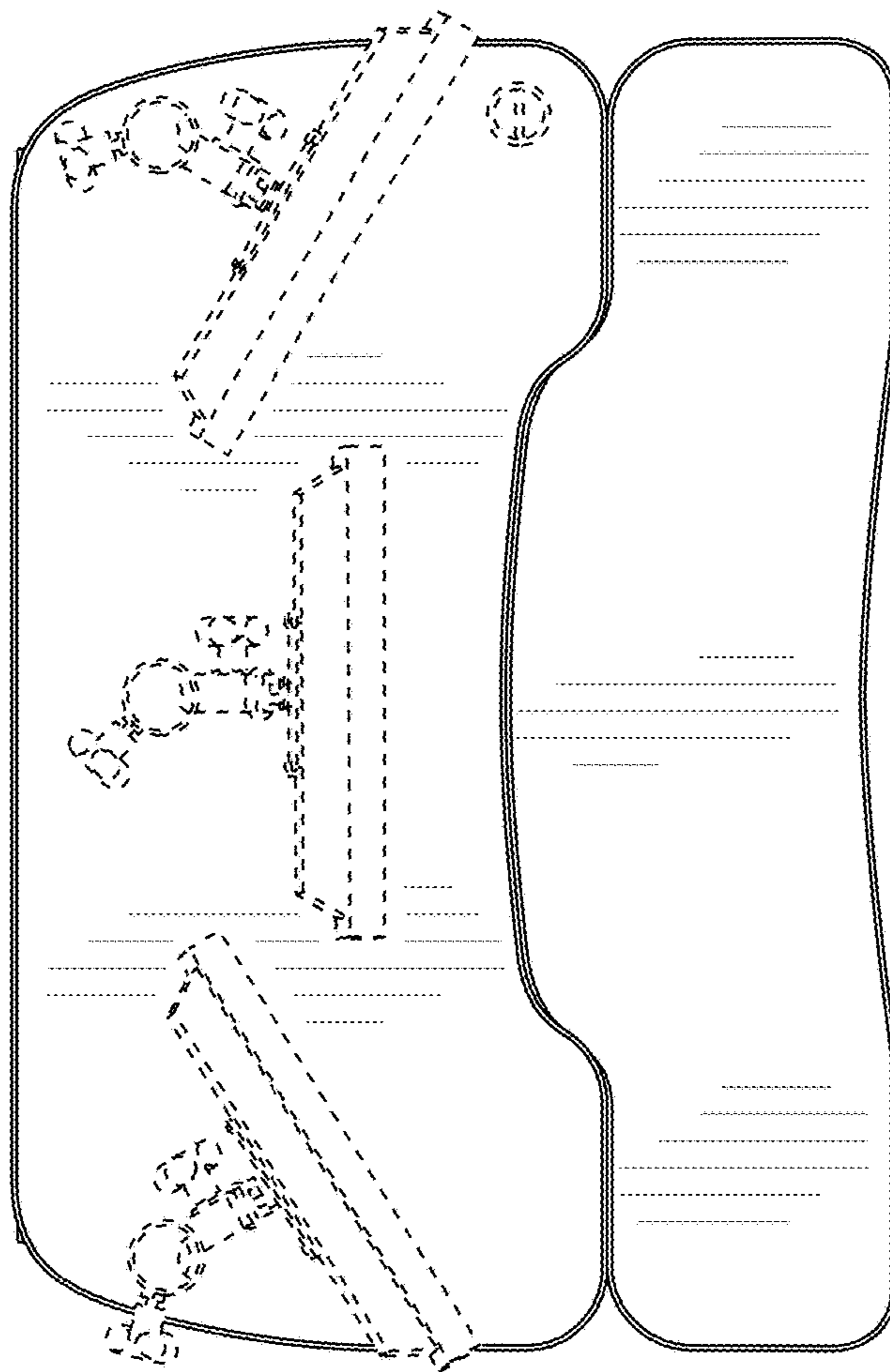
FIG. 3



**FIG. 4**



**FIG. 5**



**FIG. 6**



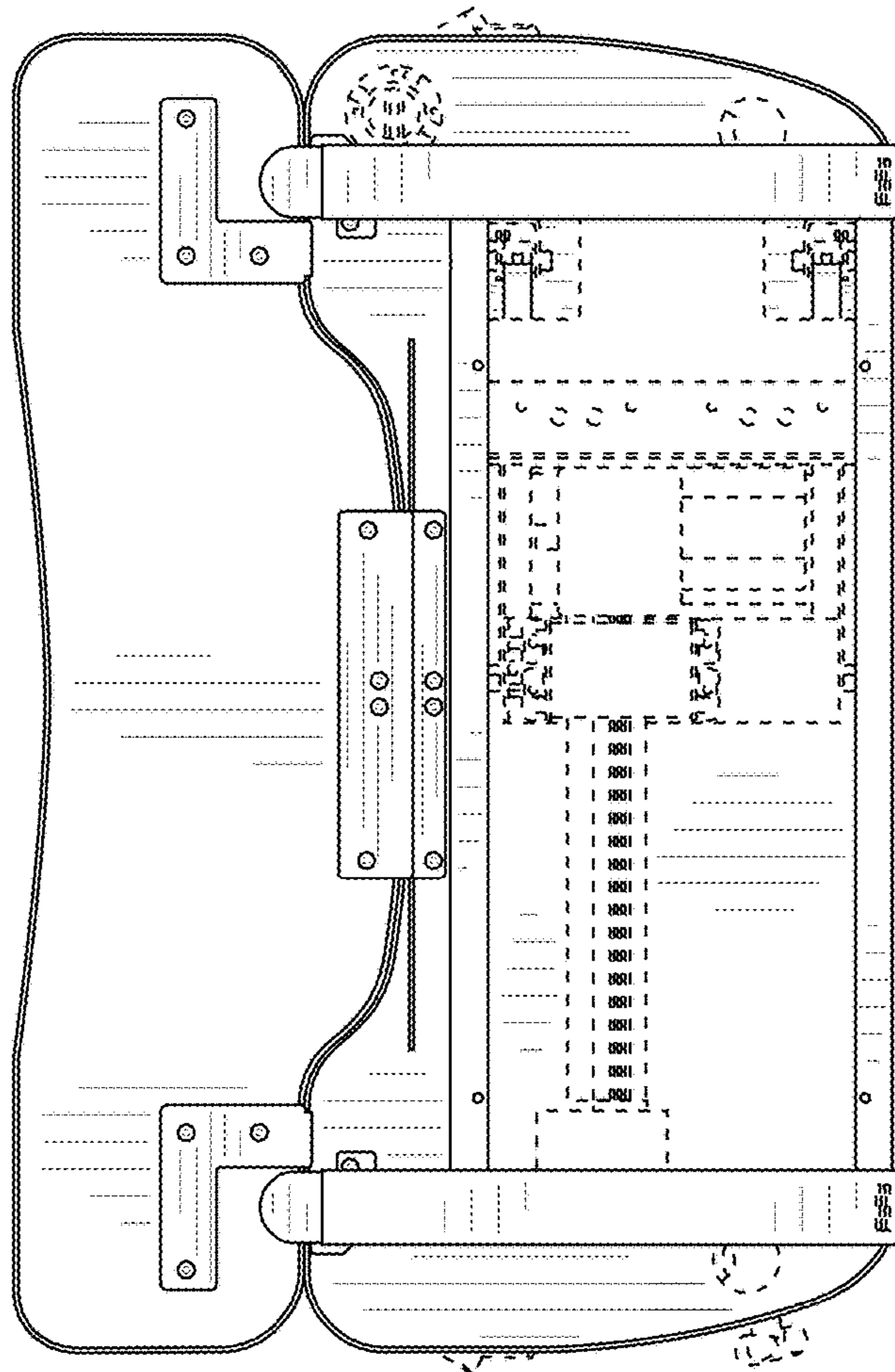


FIG. 7