



US00D845672S

(12) **United States Design Patent**  
**Klobuchar**

(10) **Patent No.:** **US D845,672 S**

(45) **Date of Patent:** **\*\* \*Apr. 16, 2019**

(54) **CRIB LINER**

(71) Applicant: **BreathableBaby, LLC**, Minnetonka, MN (US)

(72) Inventor: **Susan Klobuchar**, Plymouth, MN (US)

(73) Assignee: **BreathableBaby, LLC**, Minnetonka, MN (US)

(\* ) Notice: This patent is subject to a terminal disclaimer.

(\*\*) Term: **15 Years**

(21) Appl. No.: **29/617,698**

(22) Filed: **Sep. 15, 2017**

(51) **LOC (11) Cl.** ..... **06-09**

(52) **U.S. Cl.**  
USPC ..... **D6/596**

(58) **Field of Classification Search**

USPC ..... D6/333, 349, 355, 375, 388, 512, 563, D6/564, 595, 596, 601, 604, 611, 707, D6/715, 716, 716.1; D24/183-185, 234; D21/803, 804, 805, 809; 5/401, 420, 5/600, 630, 631, 632, 633, 635, 636, 638, 5/639, 646, 652, 652.1, 655, 703, 730; 297/1, 2, 4, 93, 180.11, 195.1, 195.11, 297/195.13, 393, 397, 452.12, 452.14, 297/452.15, 452.21, 452.24, 452.26, 297/452.48, 452.62, 482  
CPC ..... A47G 9/10; A47G 9/1009; A47G 9/1027; A47G 9/1045; A47G 9/1063; A47G 9/1072; A47G 9/1081

See application file for complete search history.

(56) **References Cited**

**U.S. PATENT DOCUMENTS**

D12,352 S \* 7/1881 Carey ..... D5/47  
D40,194 S \* 7/1909 Bright ..... D5/47

1,372,741 A \* 3/1921 Dickinson ..... E04F 13/04  
29/897.15  
1,637,410 A \* 8/1927 Coryell ..... E04F 13/04  
52/446  
D74,041 S \* 12/1927 Wickwire ..... 245/7  
1,743,800 A \* 1/1930 Pearce ..... E04F 13/04  
52/670

(Continued)

**OTHER PUBLICATIONS**

3pc Ultra Luxe Reversible Crib Bedding, available: unknown, [online],[site visited May 8, 2018]. Available from Internet, <URL: <https://breathablebaby.com/product/breathablebaby-3pc-geo-giraffe-ultra-luxe-reversible-crib-bedding-set/>> (Year: 2018).\*

(Continued)

*Primary Examiner* — Michelle E. Wilson

*Assistant Examiner* — Sanjeev Paul

(74) *Attorney, Agent, or Firm* — Cozen O'Connor

(57) **CLAIM**

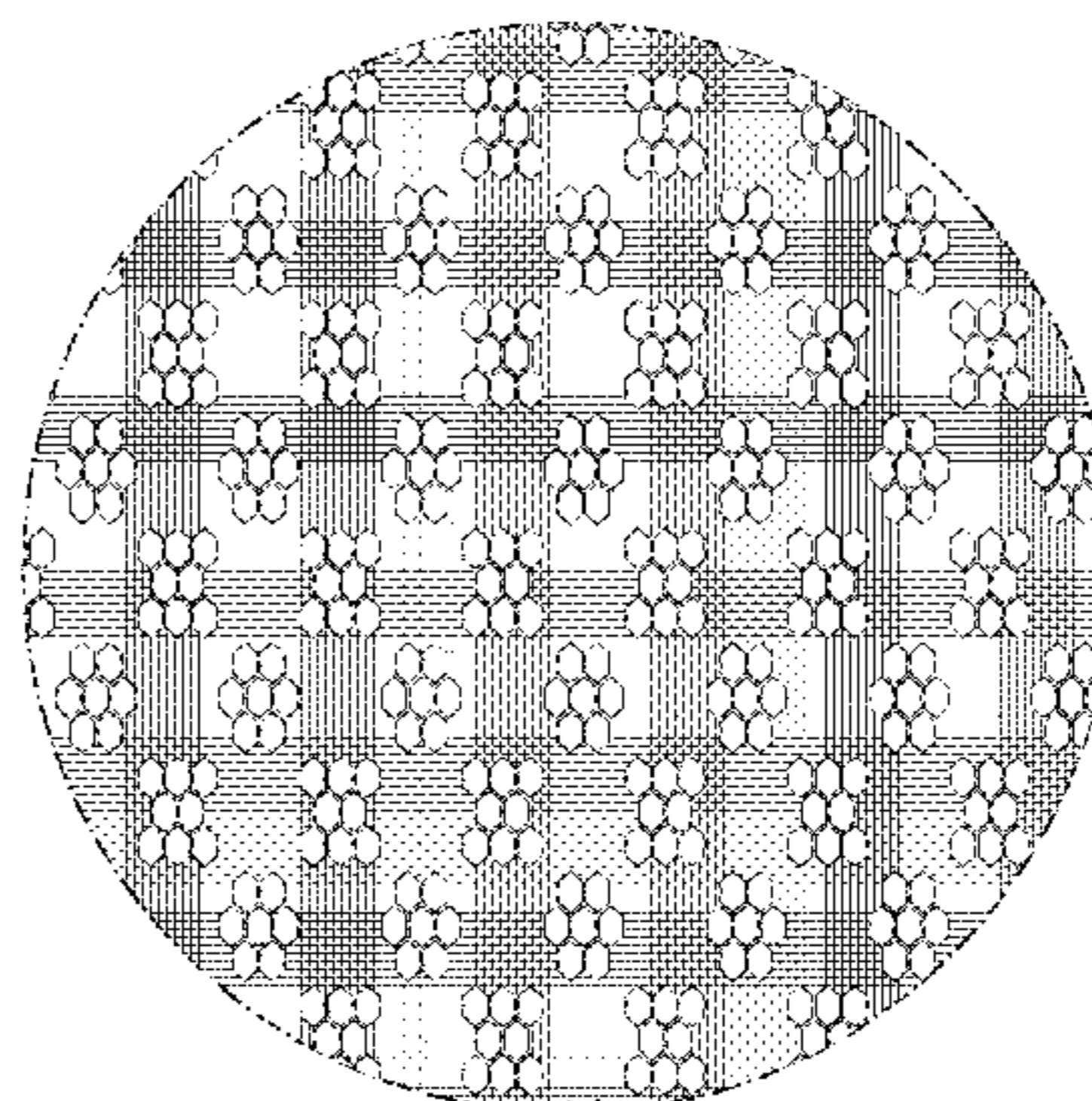
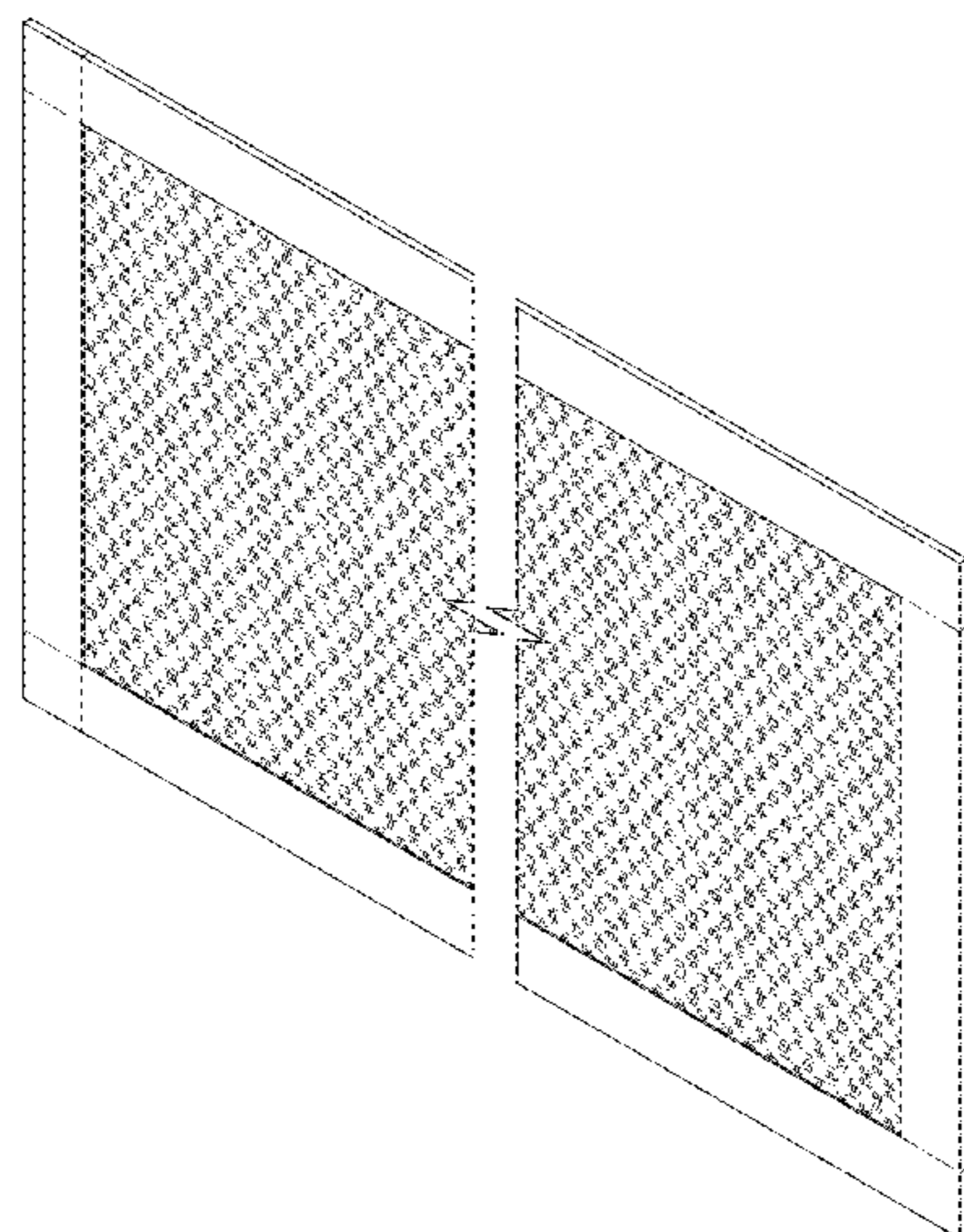
I claim the ornamental design for a crib liner, as shown and described.

**DESCRIPTION**

FIG. 1 is a perspective view thereof.  
FIG. 2 is a front elevation view thereof;  
FIG. 3 is a back elevation view thereof;  
FIG. 4 is a left side view thereof;  
FIG. 5 is a right side view thereof;  
FIG. 6 is a top plan view thereof;  
FIG. 7 is a bottom plan view thereof; and  
FIG. 8 is an enlarged detail view of area 8 circumscribed within FIG. 2; and,  
FIG. 9 is an enlarged detail view of area 9 circumscribed within FIG. 3.

The crib liner is shown with a symbolic break in its longest dimension. The symbolic break and the appearance of any portion of the article between the symbolic break lines forms no part of the claimed design.

**1 Claim, 6 Drawing Sheets**



(56)

References Cited

U.S. PATENT DOCUMENTS

1,808,976 A \* 6/1931 Wunderlich ..... E04F 13/04  
52/454  
D100,536 S \* 7/1936 Beniston ..... D5/47  
2,116,668 A \* 5/1938 Cross ..... E04F 13/04  
52/662  
2,133,258 A \* 10/1938 Vass ..... E04F 13/04  
52/670  
D115,366 S \* 6/1939 Aibel ..... D5/54  
D119,859 S \* 4/1940 Huber ..... D5/19  
2,408,082 A \* 9/1946 Mack ..... E04B 5/10  
105/457  
2,443,319 A \* 6/1948 Mack ..... B60B 39/12  
238/14  
D157,709 S \* 3/1950 Smith ..... D25/141  
D176,794 S \* 1/1956 Klein ..... D5/47  
D184,878 S \* 4/1959 Kerkovius ..... D5/53  
D192,651 S \* 4/1962 Seery ..... D25/154  
D192,976 S \* 6/1962 Ries ..... D25/154  
D195,483 S \* 6/1963 Hallock ..... D25/142  
D204,314 S \* 4/1966 Bright ..... D25/100  
D218,135 S \* 7/1970 Rost ..... D5/47  
D251,511 S \* 4/1979 Hallock ..... D25/156  
4,194,329 A \* 3/1980 Wendt ..... E04B 1/8227  
52/145  
4,259,385 A \* 3/1981 Keller ..... B21D 31/043  
428/135  
5,334,289 A \* 8/1994 Trokhan ..... B29C 35/10  
162/358.2  
D360,797 S \* 8/1995 Evans ..... 383/117  
D365,956 S \* 1/1996 Bonaddio ..... 5/736  
5,743,508 A \* 4/1998 Fiveash ..... A47G 33/12  
248/527  
5,830,558 A \* 11/1998 Barnholtz ..... A61F 13/5323  
428/171  
5,840,403 A \* 11/1998 Trokhan ..... D21H 21/14  
428/154  
D426,387 S \* 6/2000 Matsumoto ..... D5/2  
6,117,270 A \* 9/2000 Trokhan ..... D21F 11/006  
162/109  
6,119,428 A \* 9/2000 Gumz ..... F25D 23/066  
52/660  
D444,329 S \* 7/2001 Newman ..... D6/596  
6,254,215 B1 \* 7/2001 Hiroki ..... B41J 2/1604  
347/20  
6,610,900 B1 \* 8/2003 Tanzer ..... A61F 13/49009  
604/368  
D488,810 S \* 4/2004 Lin ..... D14/341  
D501,553 S \* 2/2005 Kelly ..... D24/125  
D511,251 S \* 11/2005 Wong ..... D5/53  
D589,172 S \* 3/2009 Newman ..... D25/139  
7,530,150 B2 \* 5/2009 Brennan ..... D04H 18/04  
28/104  
7,550,059 B2 \* 6/2009 Van Phan ..... D21F 11/006  
162/109  
D609,922 S \* 2/2010 Bridges ..... D5/53  
D621,655 S \* 8/2010 Zemel ..... D7/409  
D622,965 S \* 9/2010 Bridges ..... D5/53  
D622,966 S \* 9/2010 Bridges ..... D5/53  
D630,860 S \* 1/2011 Sichel ..... D5/53  
D654,846 S \* 2/2012 Wood ..... D12/416  
D659,403 S \* 5/2012 Lerman ..... D5/1  
D659,458 S \* 5/2012 Lerman ..... D6/585  
8,359,689 B2 \* 1/2013 Warren ..... A47C 27/15  
5/655.9

D722,448 S \* 2/2015 King-Hunte ..... D6/595  
D723,184 S \* 2/2015 Jackson ..... D25/48.5  
D755,549 S \* 5/2016 Akkad ..... D6/368  
D764,668 S \* 8/2016 Van Voorst ..... D24/159  
D790,880 S \* 7/2017 Wong ..... D6/601  
D792,714 S \* 7/2017 Delaney ..... D5/58  
D802,803 S \* 11/2017 Berg ..... D25/138  
D804,829 S \* 12/2017 Austin ..... D5/58  
D808,177 S \* 1/2018 Liu ..... D5/47  
2005/0034786 A1 \* 2/2005 Dargan ..... B27B 1/005  
144/367  
2005/0202208 A1 \* 9/2005 Kelly ..... A61F 13/537  
428/131  
2008/0055725 A1 \* 3/2008 Dornbos ..... B60Q 1/2615  
359/548  
2009/0013633 A1 \* 1/2009 Aubuchon ..... B21D 13/02  
52/634  
2011/0314781 A1 \* 12/2011 Greist ..... B01D 46/10  
55/496  
2012/0080267 A1 \* 4/2012 Furseth ..... A01M 31/02  
182/115  
2012/0317721 A1 \* 12/2012 Dunne ..... A47D 15/008  
5/424  
2013/0046223 A1 \* 2/2013 Schrammel ..... A61F 13/0243  
602/43  
2013/0330486 A1 \* 12/2013 Shields ..... B44F 1/10  
428/29  
2013/0341874 A1 \* 12/2013 Aykanat ..... F16L 23/18  
277/612  
2014/0017605 A1 \* 1/2014 Shirayama ..... G03G 15/75  
430/56  
2014/0109331 A1 \* 4/2014 Gummow ..... A47L 13/17  
15/104.93  
2014/0127528 A1 \* 5/2014 Nasstrom ..... E04C 2/08  
428/593  
2014/0257348 A1 \* 9/2014 Prieue ..... A61F 2/0063  
606/151  
2015/0060131 A1 \* 3/2015 Coppola ..... H05K 9/0041  
174/383  
2015/0371842 A1 \* 12/2015 Park ..... H01J 5/044  
315/34  
2016/0083905 A1 \* 3/2016 Hill ..... D21F 11/14  
162/158  
2016/0104850 A1 \* 4/2016 Joo ..... H01L 27/3244  
257/82  
2016/0157629 A1 \* 6/2016 Poppe ..... A47C 27/144  
5/638  
2016/0250688 A1 \* 9/2016 Coppola ..... G06Q 30/0269  
419/53  
2016/0257478 A1 \* 9/2016 Witt ..... B65D 1/40  
2016/0304155 A1 \* 10/2016 Klein ..... B62M 3/086  
2017/0106622 A1 \* 4/2017 Bonin ..... A41B 9/00  
2017/0260082 A1 \* 9/2017 Richardson, III .. C03B 37/0203  
2018/0027999 A1 \* 2/2018 Marton ..... A47D 15/008  
2018/0030666 A1 \* 2/2018 Penland, Jr. .... E01C 9/086  
2018/0035821 A1 \* 2/2018 Bass-Conn ..... A47D 9/00  
2018/0048177 A1 \* 2/2018 Huang ..... H02J 50/80

OTHER PUBLICATIONS

BreathableBaby Classic, available: 2013, [online],[site visited May 8, 2018]. Available from Internet, <URL: <https://www.toysrus.com/buy/crib-bumpers-liners/breathablebabyr-classic-breathabler-white-mesh-crib-liner-10111-2266849>> (Year: 2013).\*

\* cited by examiner

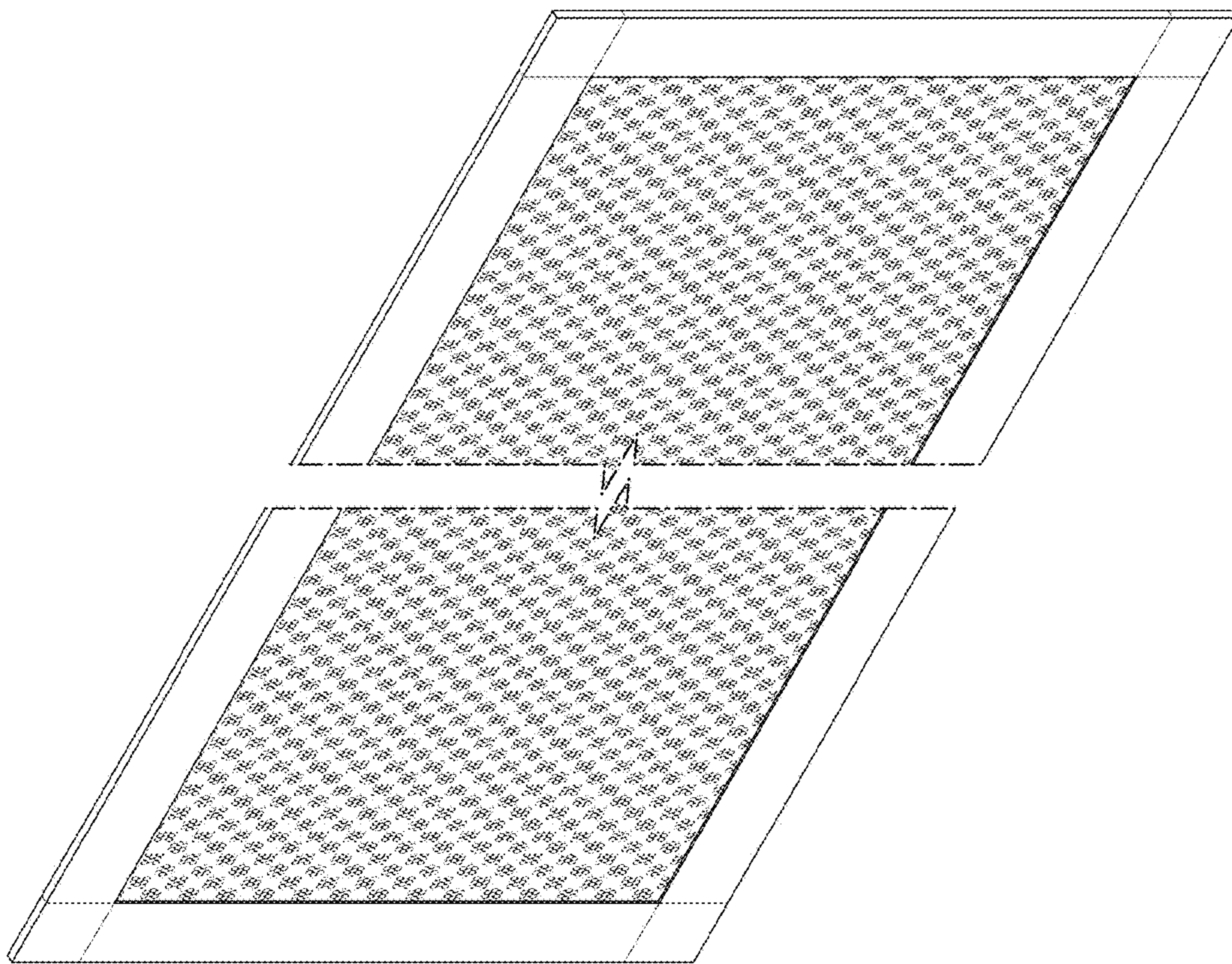


FIG. 1

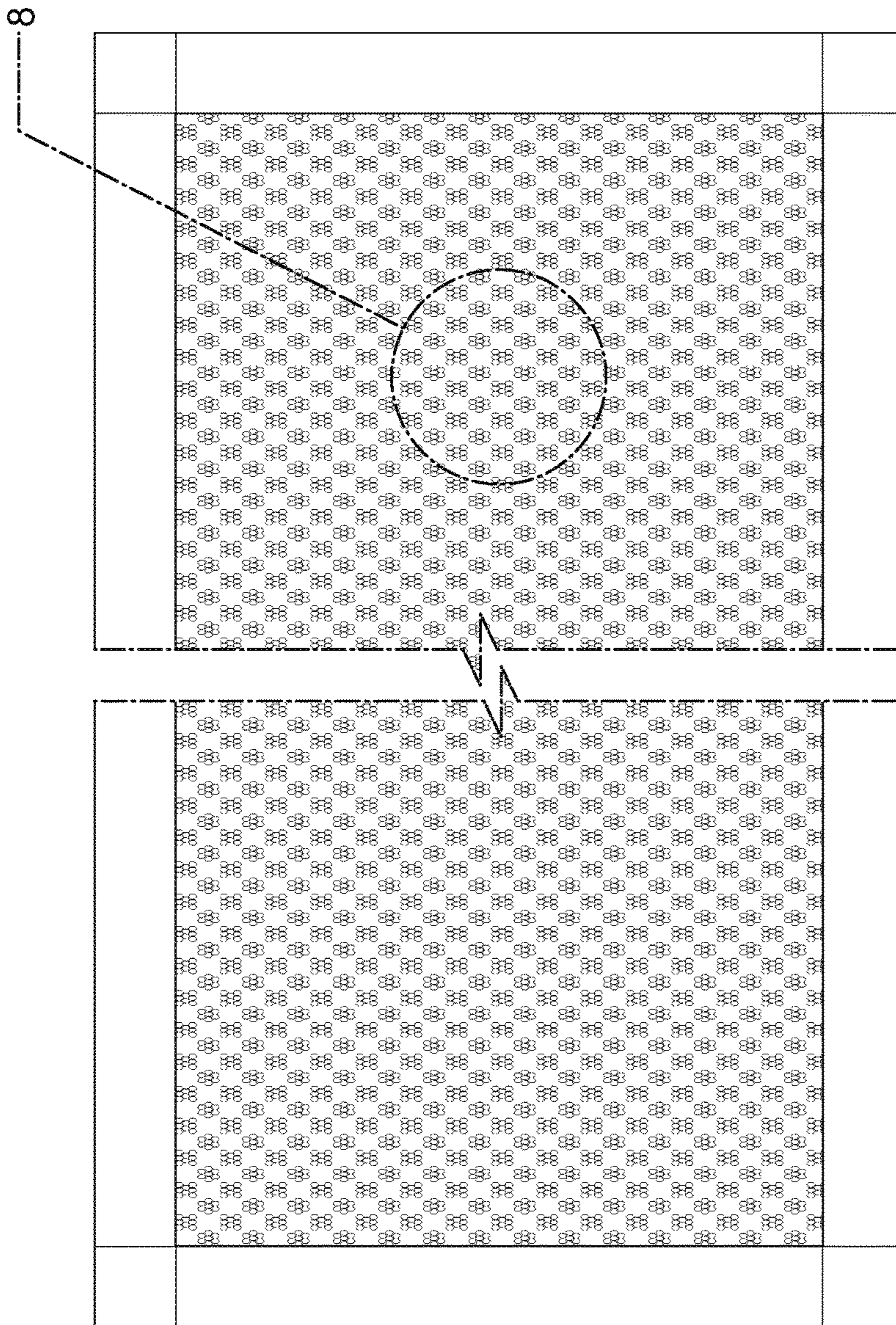


FIG. 2

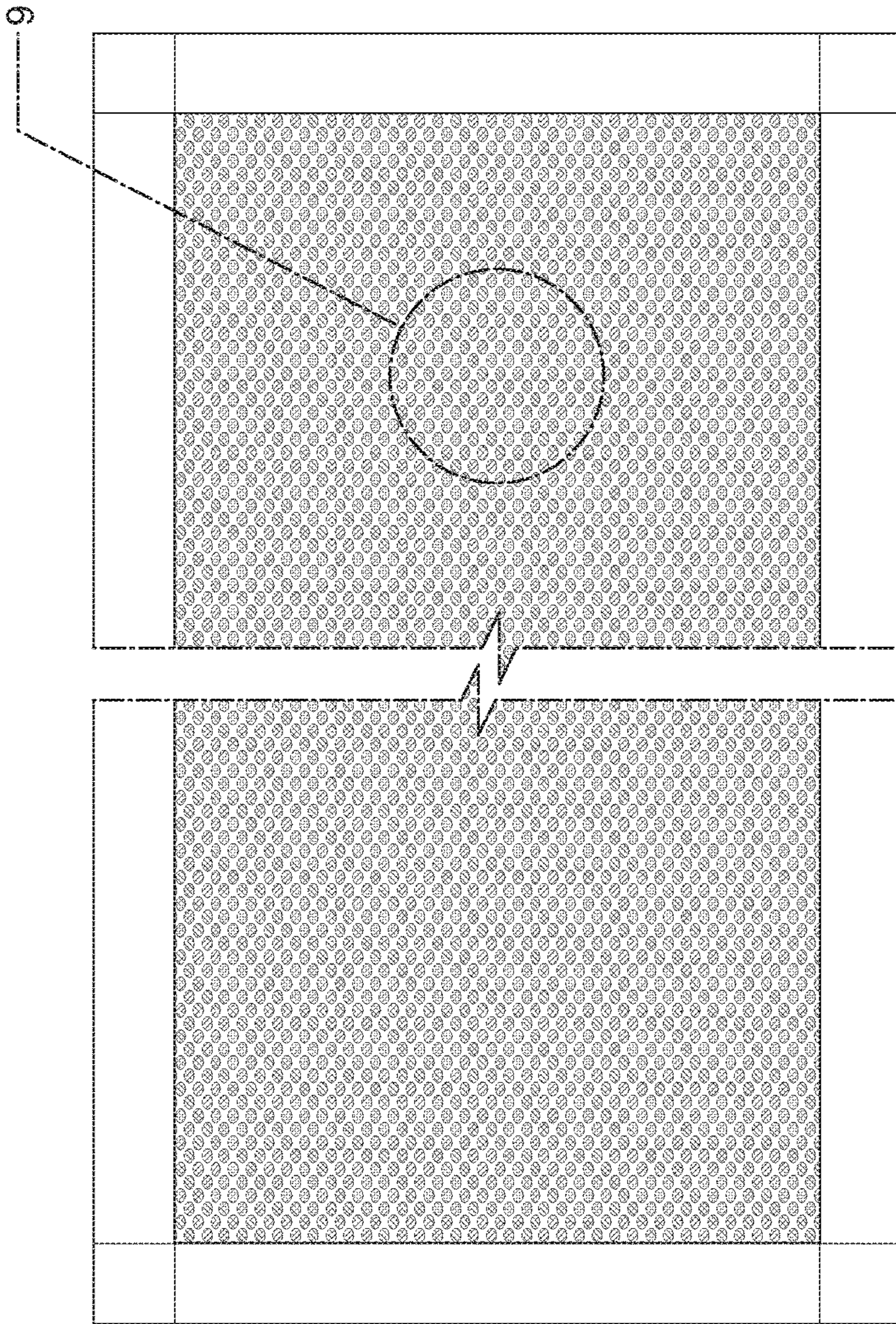


FIG. 3

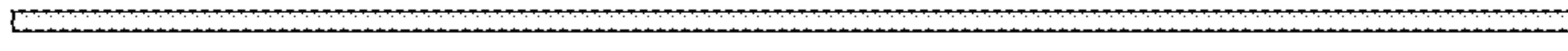


FIG. 5

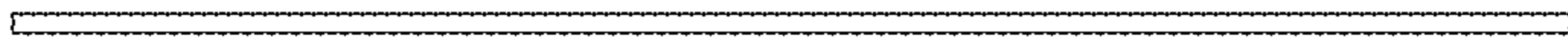


FIG. 4



FIG. 6



FIG. 7

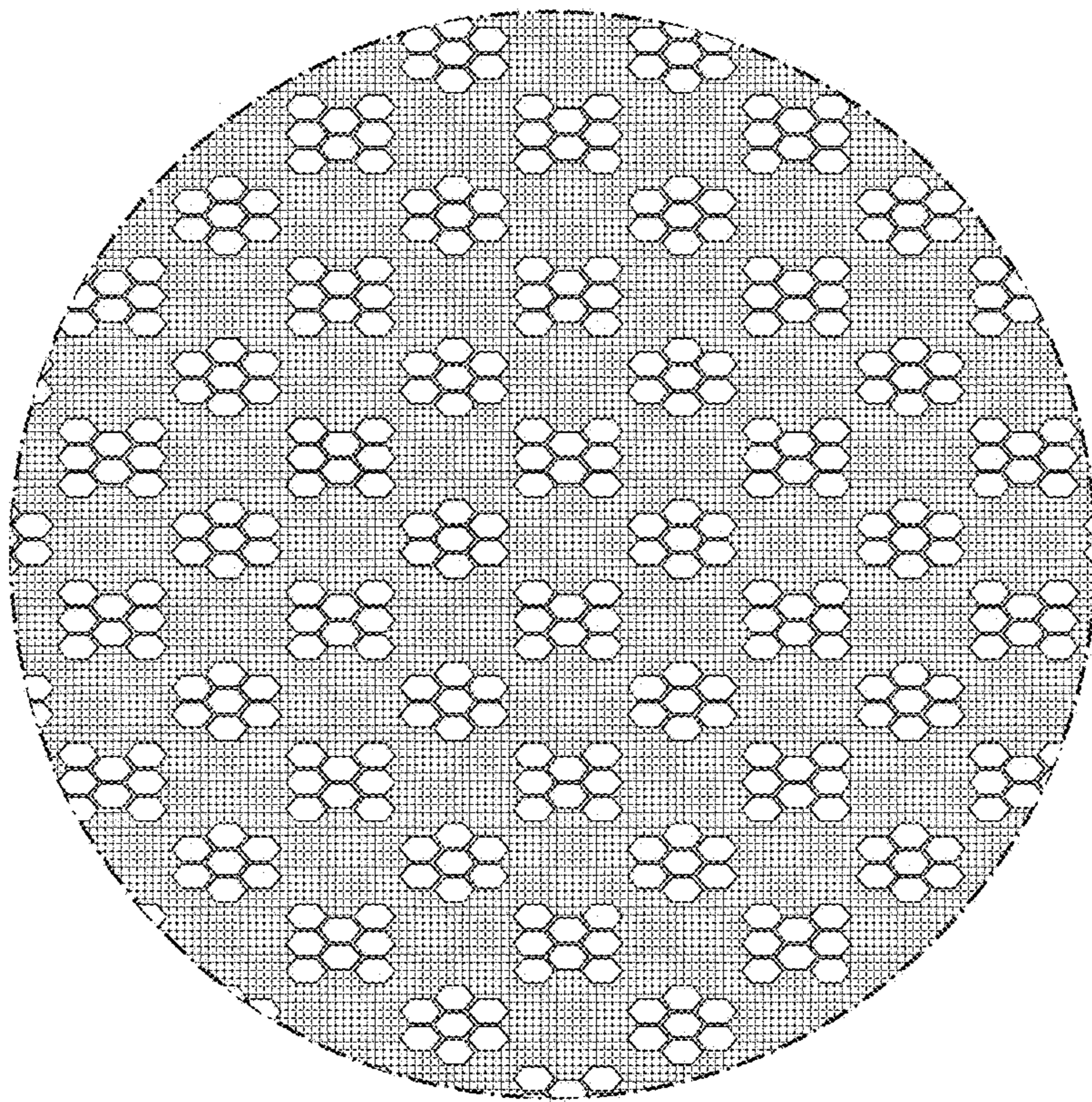


FIG. 8

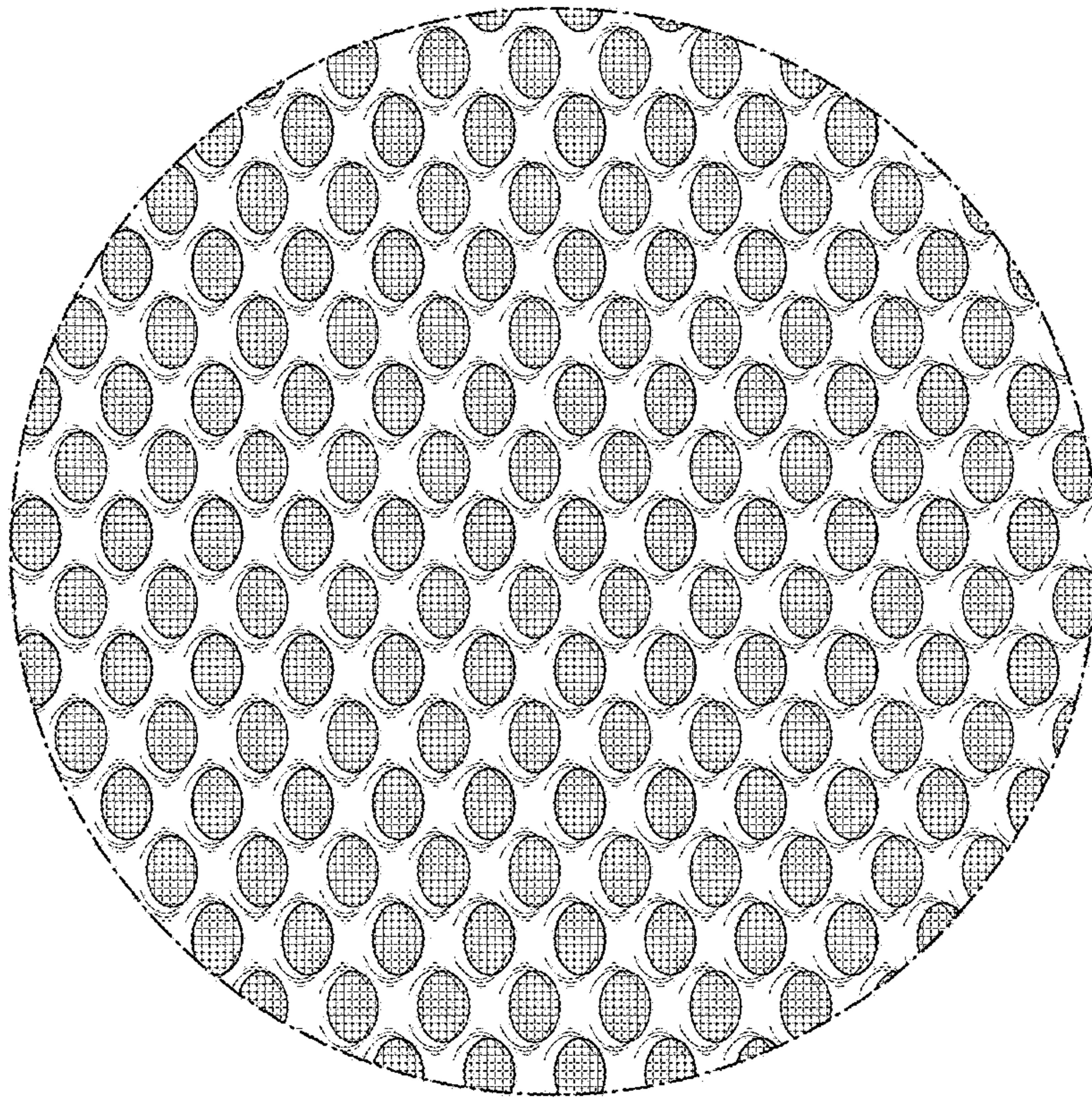


FIG. 9