



US00D845668S

(12) **United States Design Patent**
Parikh

(10) **Patent No.:** **US D845,668 S**

(45) **Date of Patent:** **** Apr. 16, 2019**

(54) **WALL UNIT**

(71) Applicant: **Williams-Sonoma, Inc.**, San Francisco, CA (US)

(72) Inventor: **Andrea Parikh**, Brooklyn, NY (US)

(73) Assignee: **Williams-Sonoma, Inc.**, San Francisco, CA (US)

(**) Term: **15 Years**

(21) Appl. No.: **29/618,696**

(22) Filed: **Sep. 22, 2017**

(51) **LOC (11) Cl.** **06-04**

(52) **U.S. Cl.**
USPC **D6/561**

(58) **Field of Classification Search**
USPC D6/561, 553, 555, 567, 569, 570, 573, D6/574, 657, 671.2, 705.1; 108/33, 40, 108/42, 115, 134; 206/509; 211/13.1, 211/87.01, 85.17, 90.02, 126.5, 134; 248/312.1; 312/107, 198
CPC A47B 95/008; A47B 96/06; A47B 95/00
See application file for complete search history.

(56) **References Cited**

U.S. PATENT DOCUMENTS

D375,221 S *	11/1996	Palka	D6/561
D418,341 S *	1/2000	Carville	D6/561
D815,465 S *	4/2018	Hannoosh	D6/657
D834,856 S *	12/2018	Parikh	D6/574
D838,517 S *	1/2019	Knox	D6/671.2

* cited by examiner

Primary Examiner — Wan Laymon
Assistant Examiner — Mark Booker

(74) *Attorney, Agent, or Firm* — Cook Alex Ltd.; R. Blake Johnston

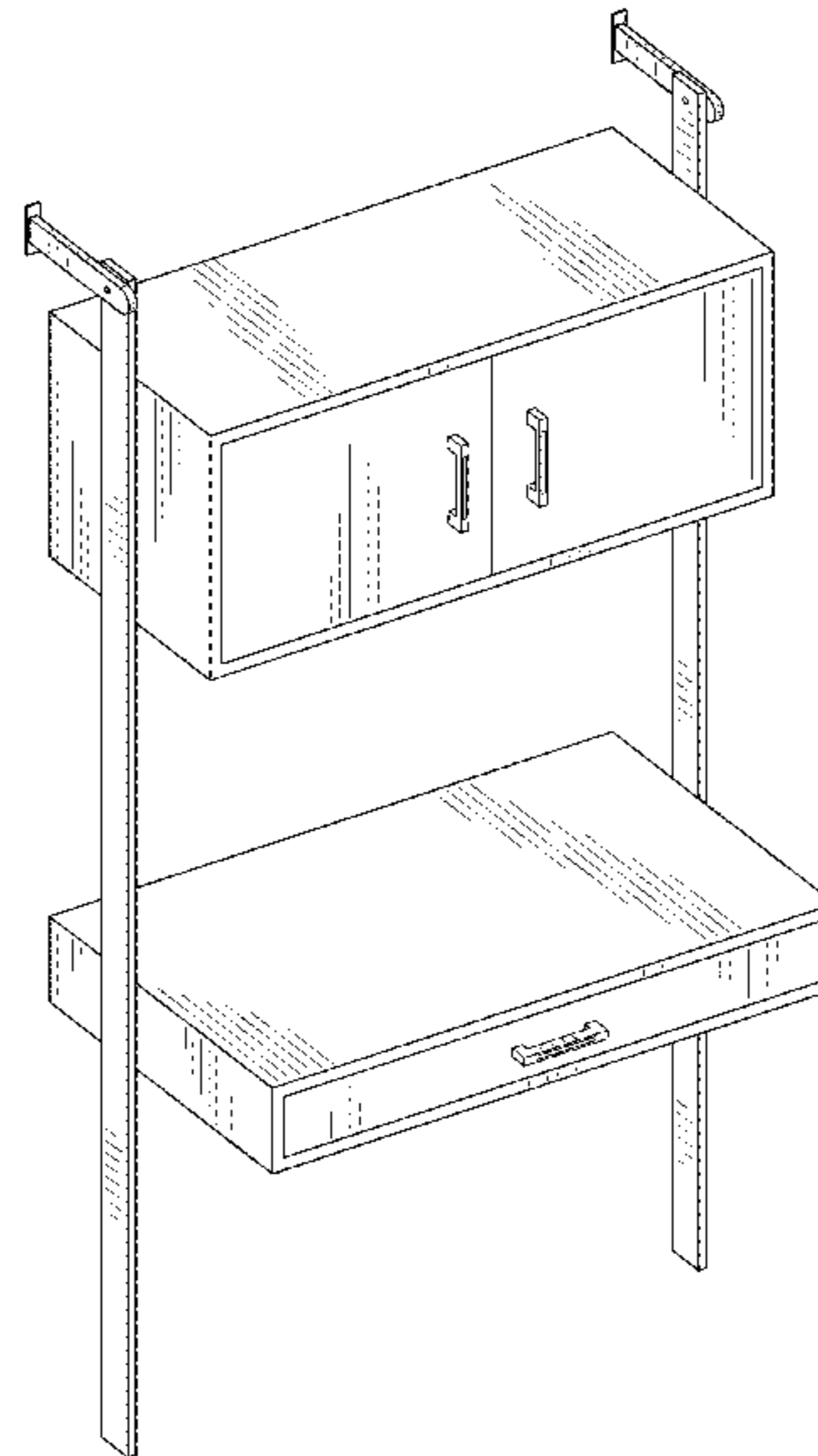
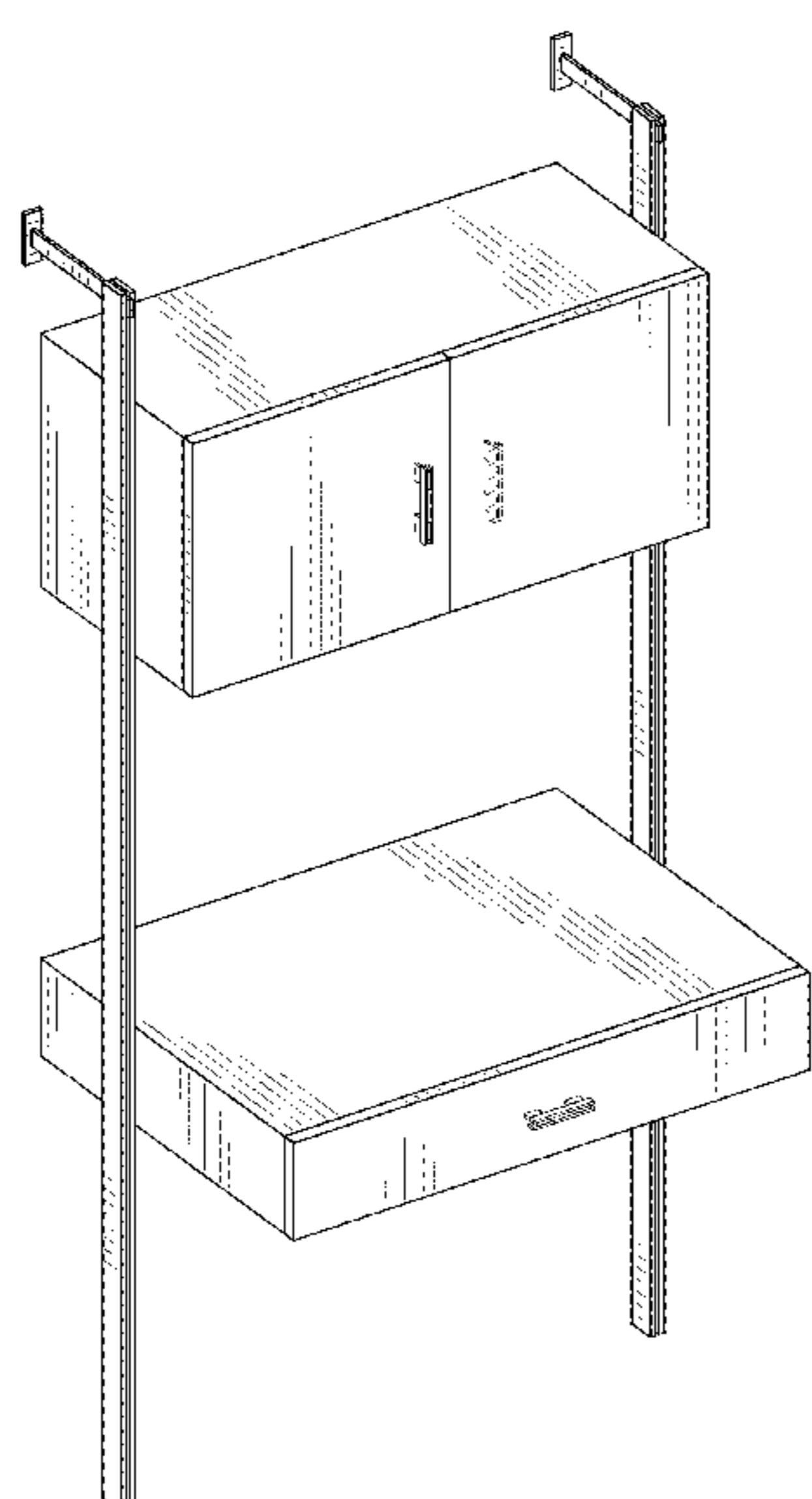
(57) **CLAIM**

The ornamental design for a wall unit, as shown and described.

DESCRIPTION

FIG. 1 is a perspective view of a first embodiment of the wall unit;
 FIG. 2 is a front elevational view of the first embodiment of the wall unit;
 FIG. 3 is a rear elevational view of the first embodiment of the wall unit;
 FIG. 4 is a left side elevational view of the first embodiment of the wall unit;
 FIG. 5 is a right side elevational view of the first embodiment of the wall unit;
 FIG. 6 is a top plan view of the first embodiment of the wall unit;
 FIG. 7 is a bottom plan view of the first embodiment of the wall unit;
 FIG. 8 is a perspective view of a second embodiment of the wall unit;
 FIG. 9 is a front elevational view of the second embodiment of the wall unit;
 FIG. 10 is a rear elevational view of the second embodiment of the wall unit;
 FIG. 11 is a left side elevational view of the second embodiment of the wall unit;
 FIG. 12 is a right side elevational view of the second embodiment of the wall unit;
 FIG. 13 is a top plan view of the second embodiment of the wall unit; and,
 FIG. 14 is a bottom plan view of the second embodiment of the wall unit.

1 Claim, 10 Drawing Sheets



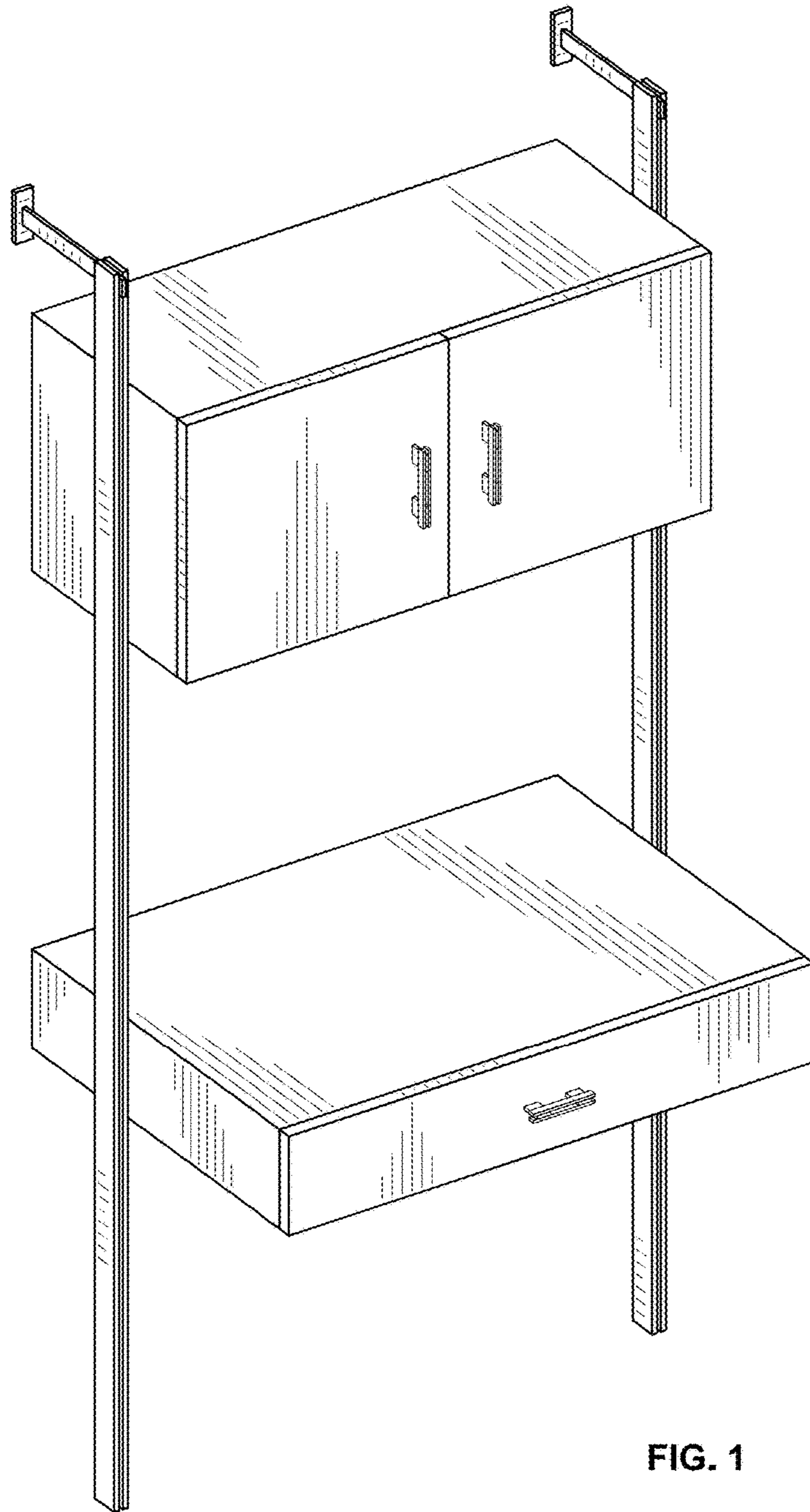


FIG. 1

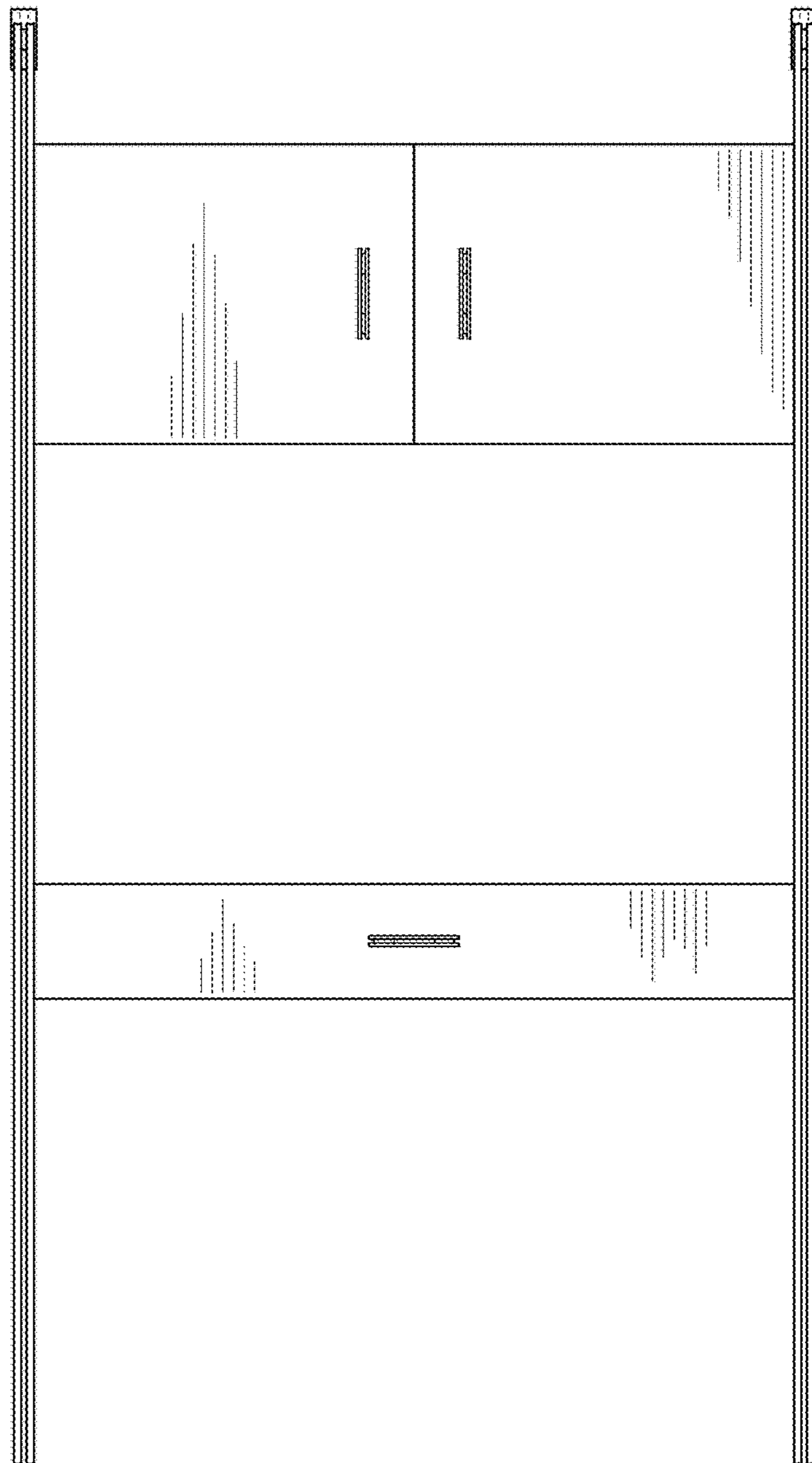


FIG. 2

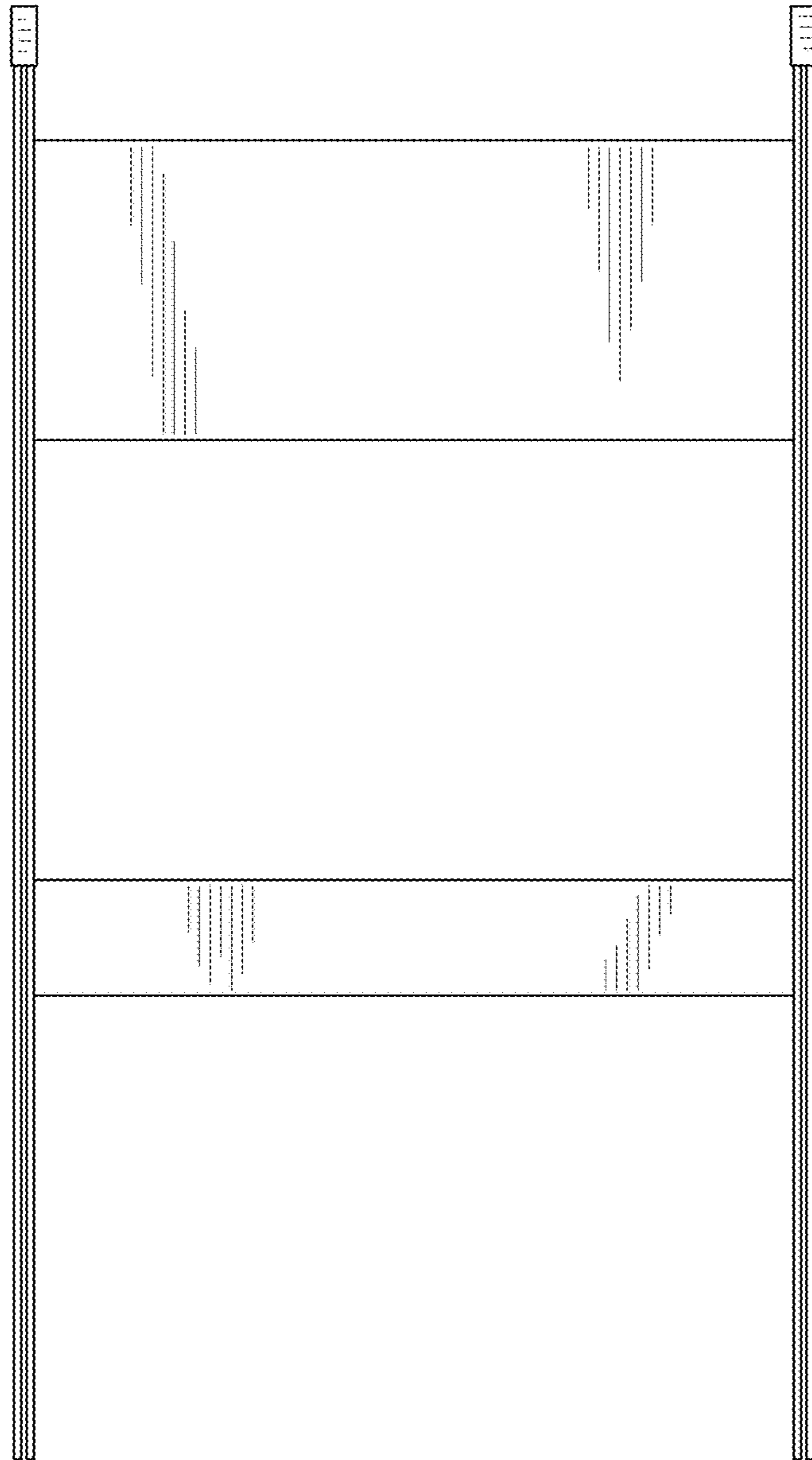


FIG. 3

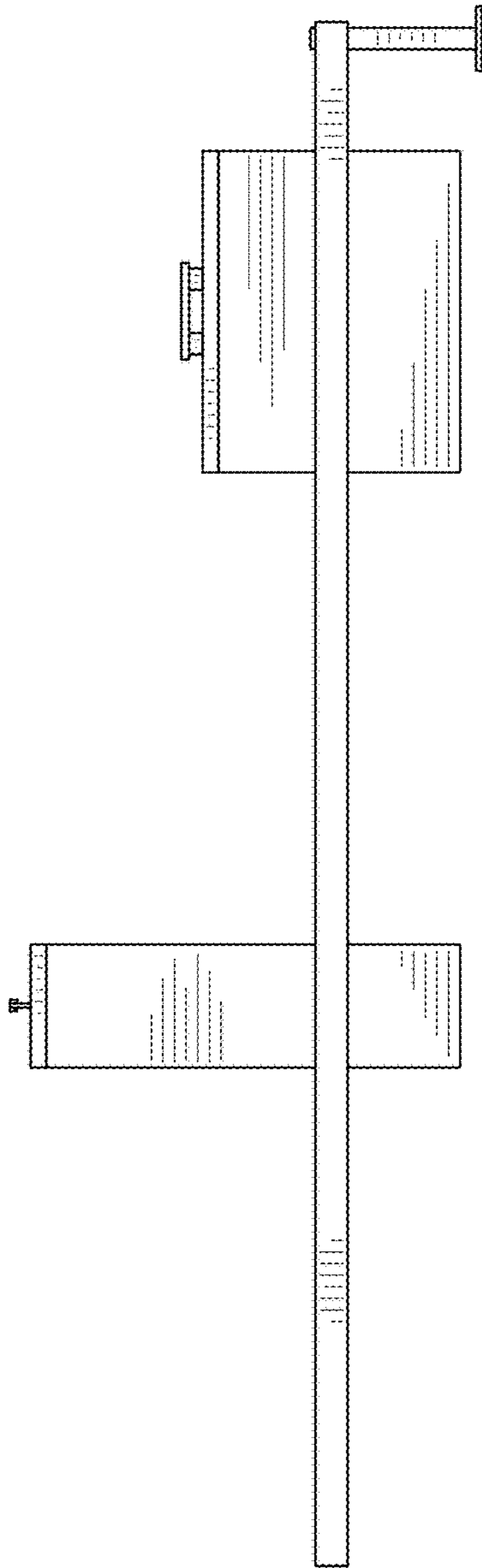


FIG. 4

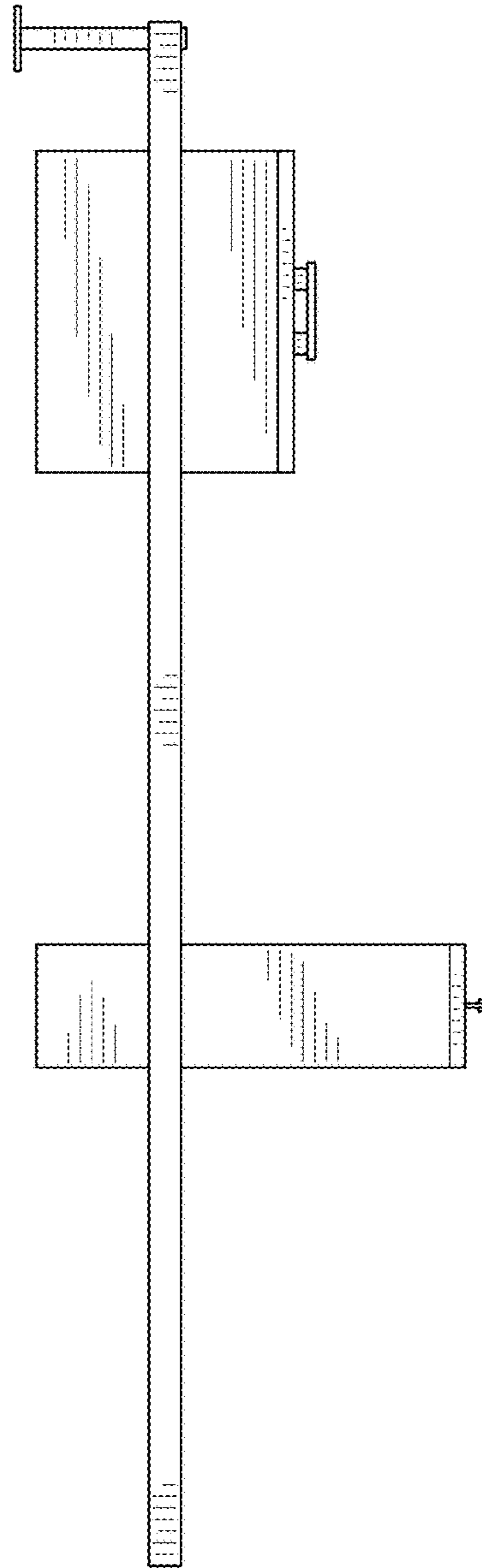


FIG. 5

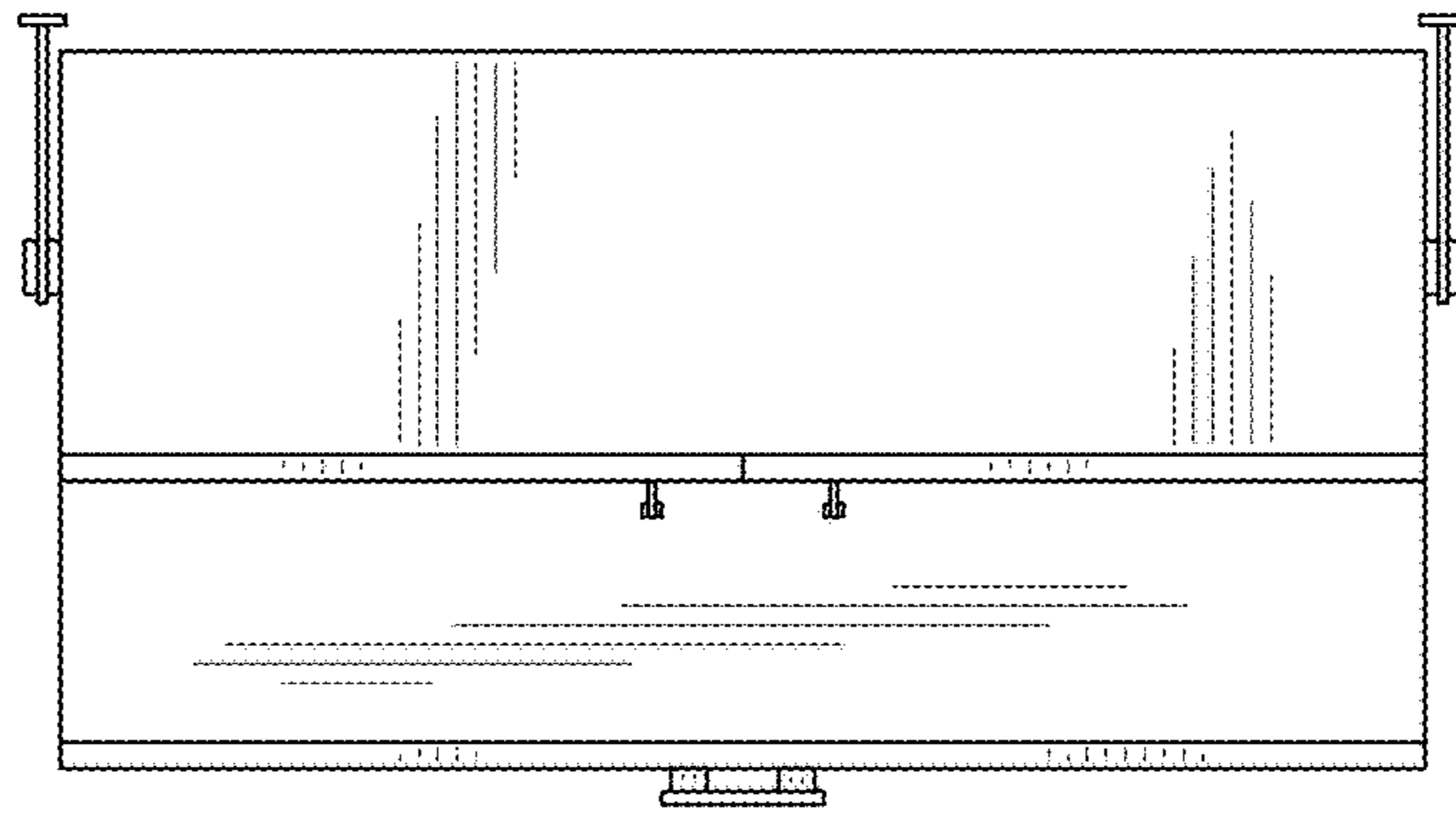


FIG. 6

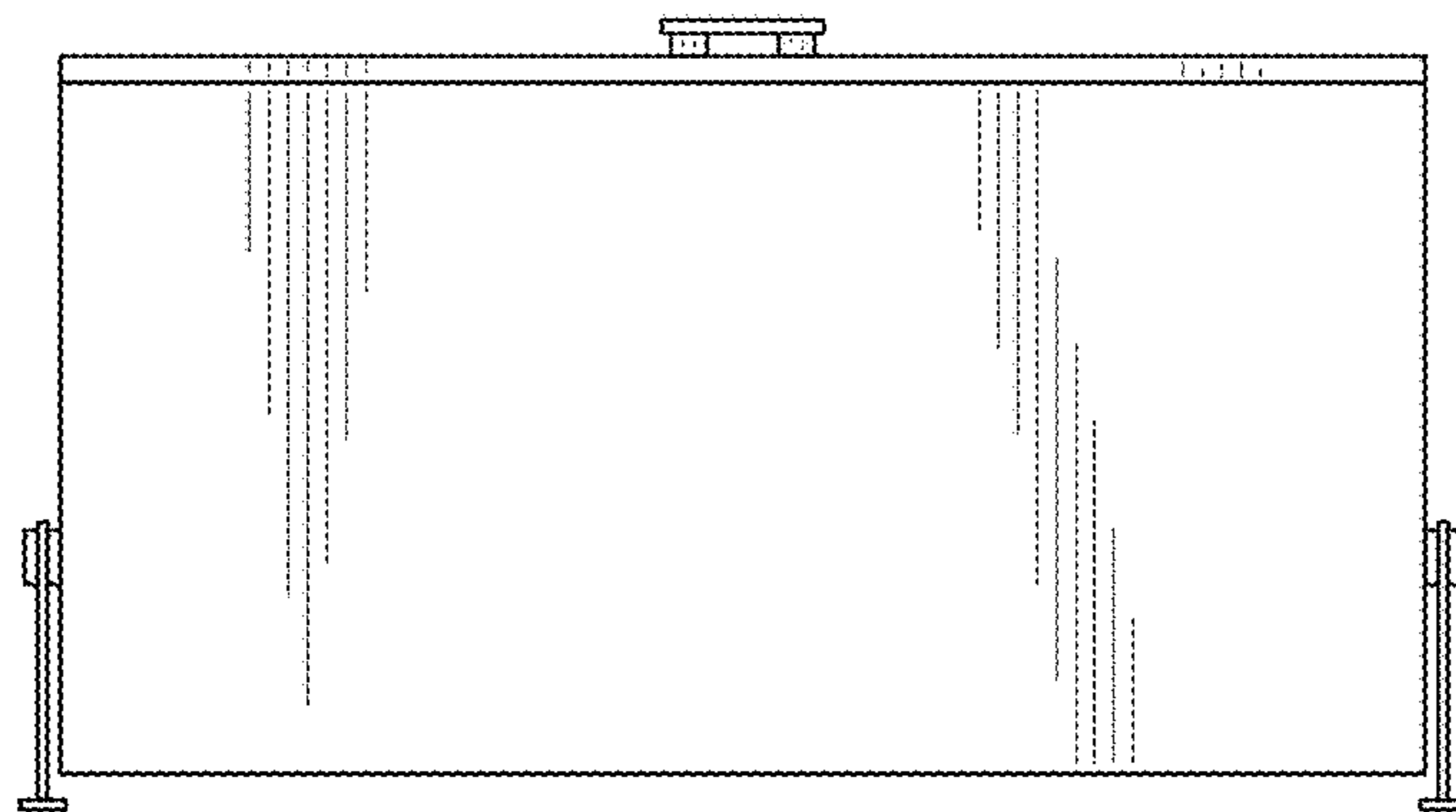


FIG. 7

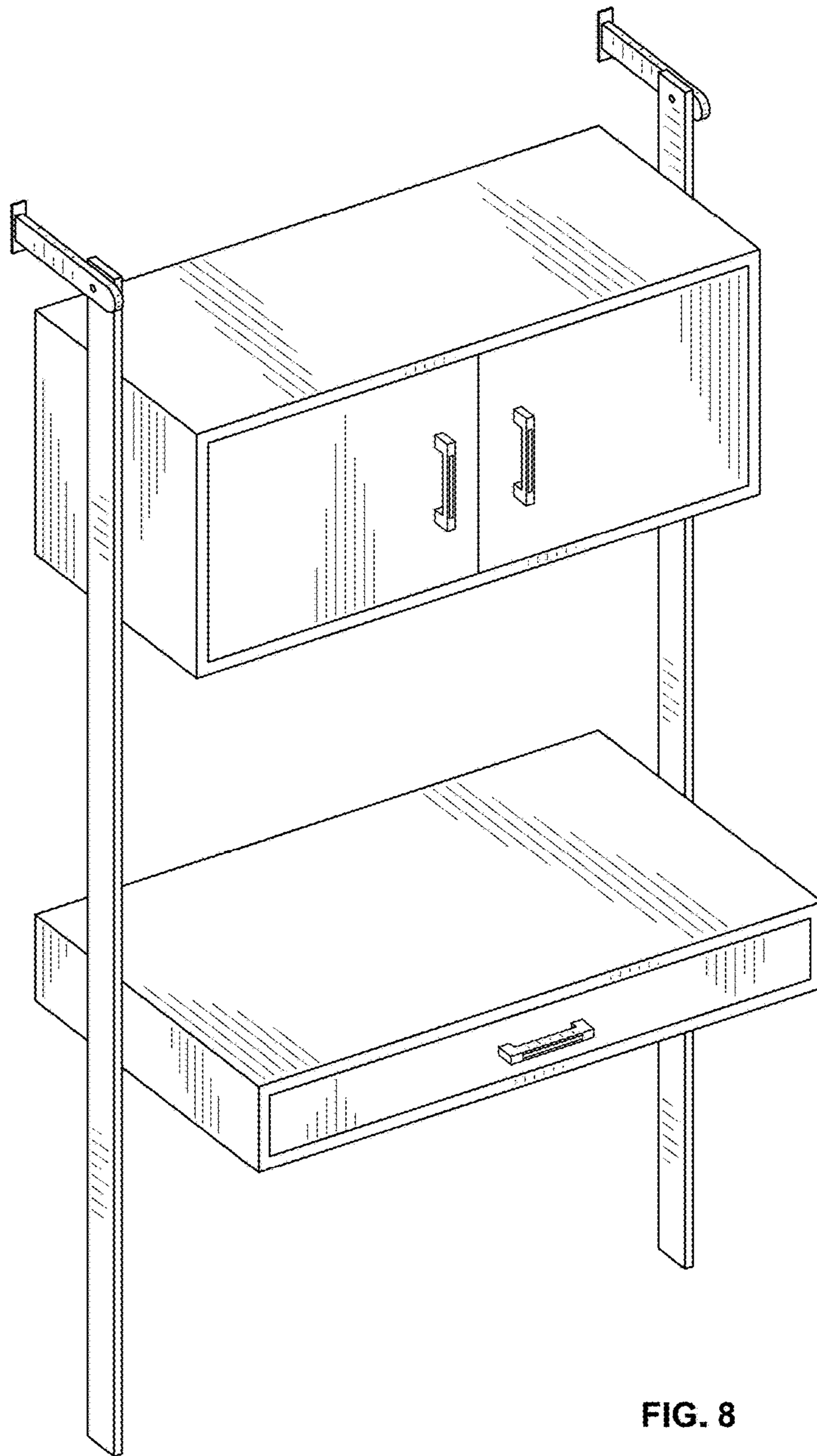


FIG. 8

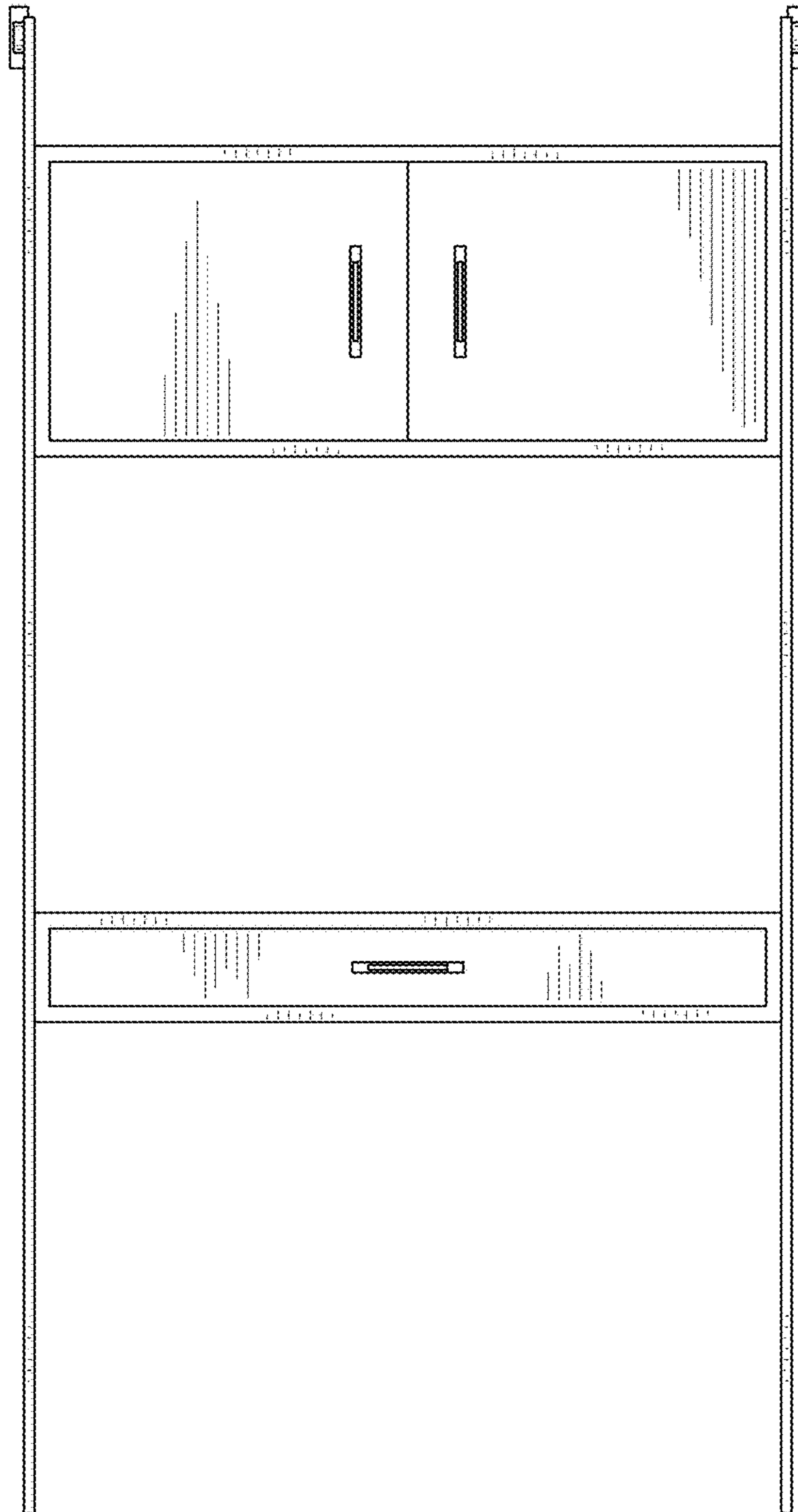


FIG. 9

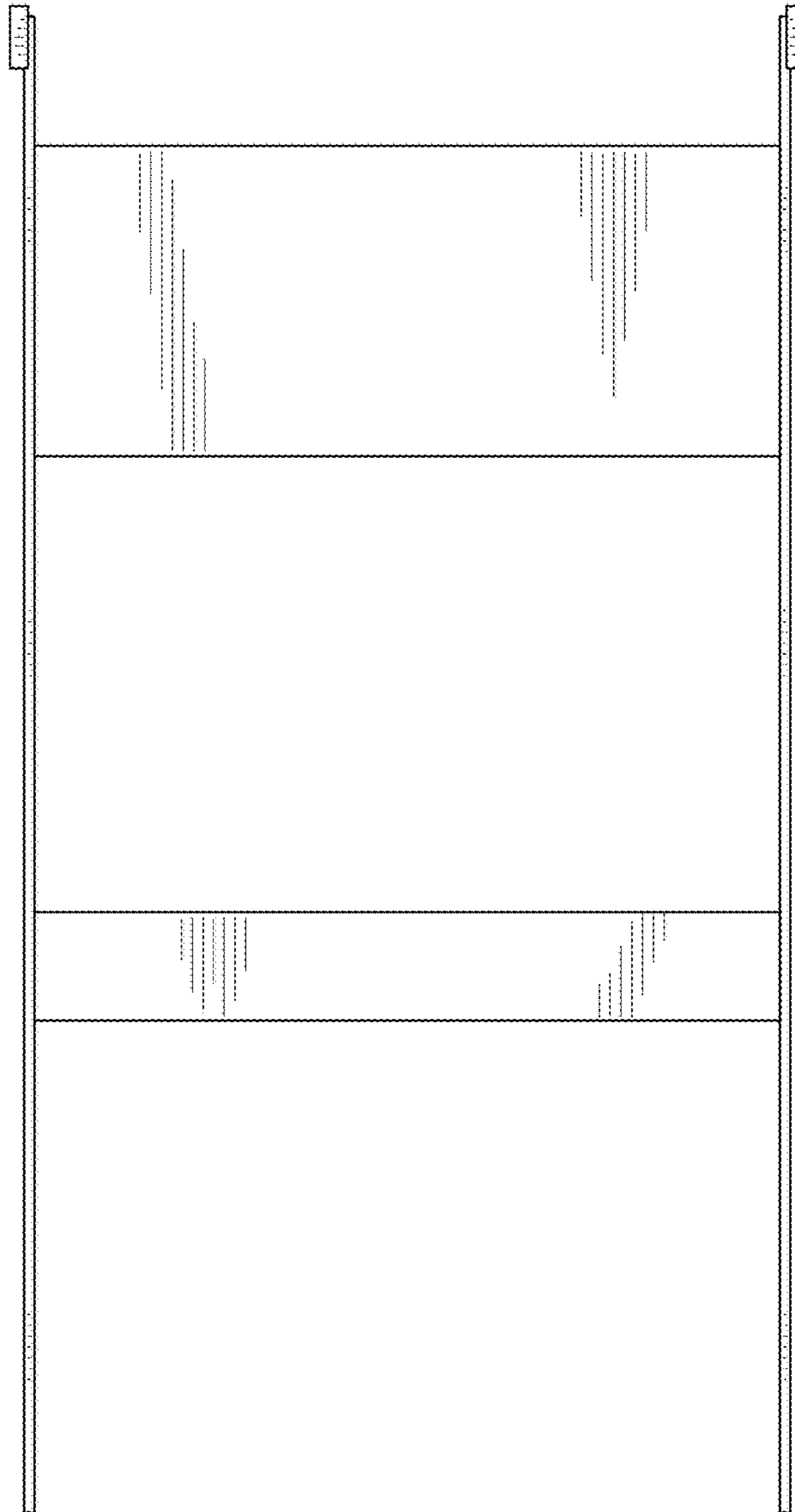


FIG. 10

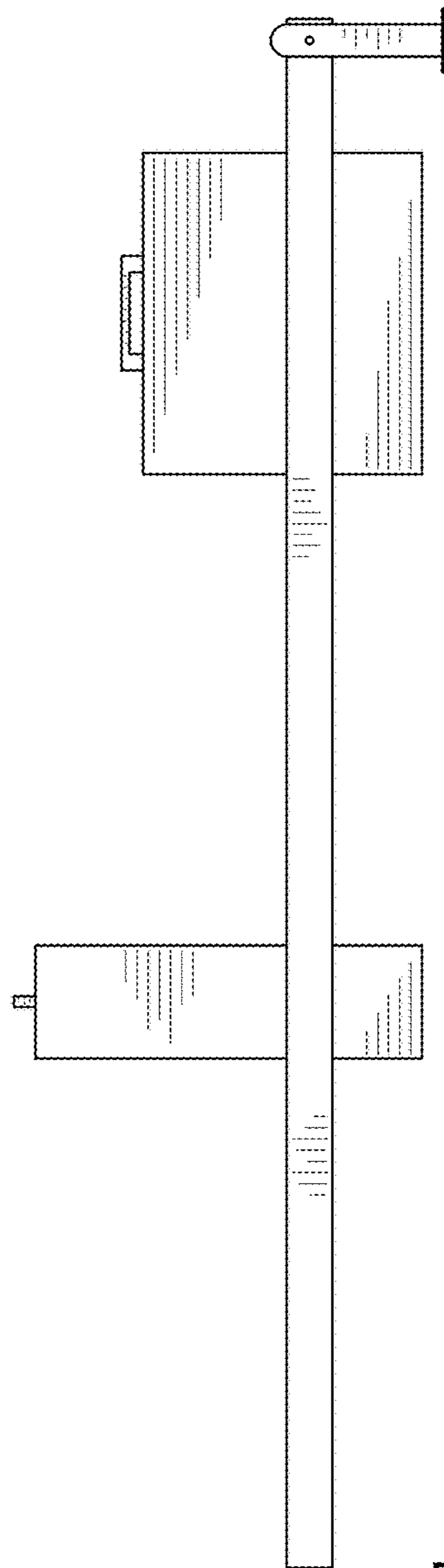


FIG. 11

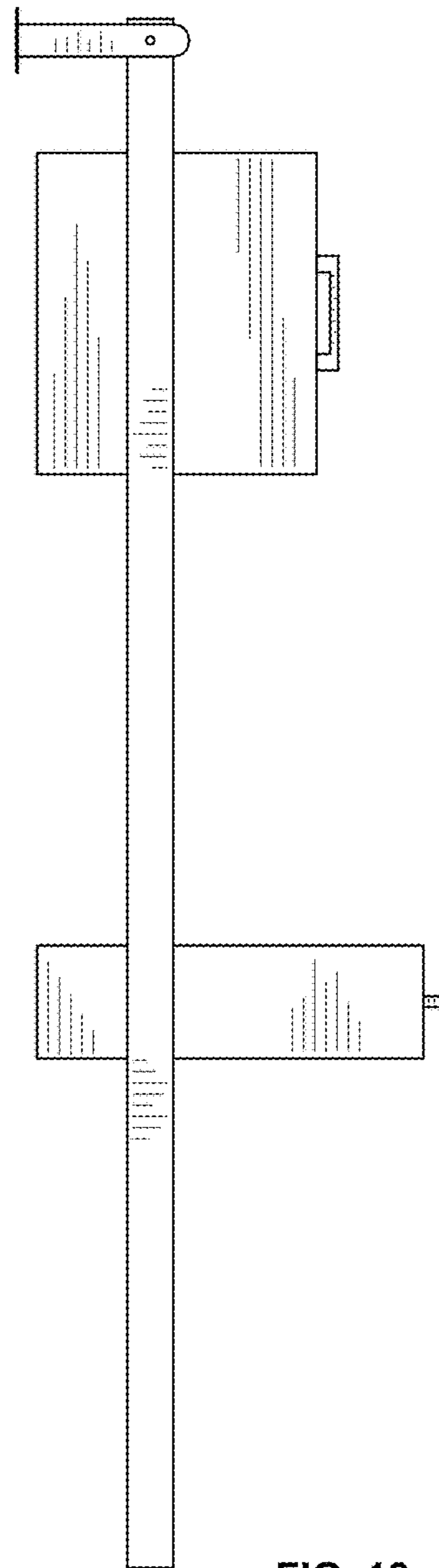


FIG. 12

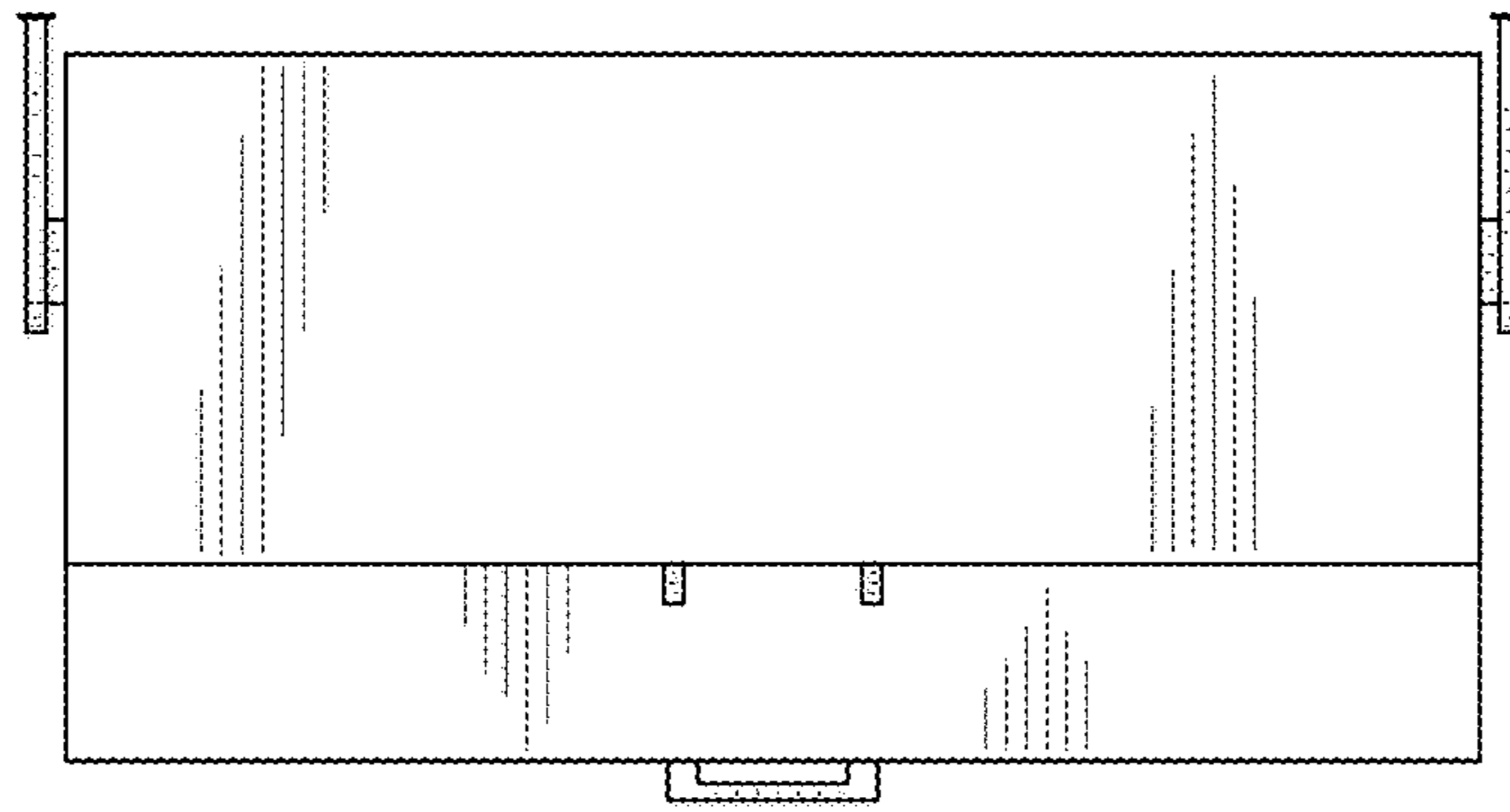


FIG. 13

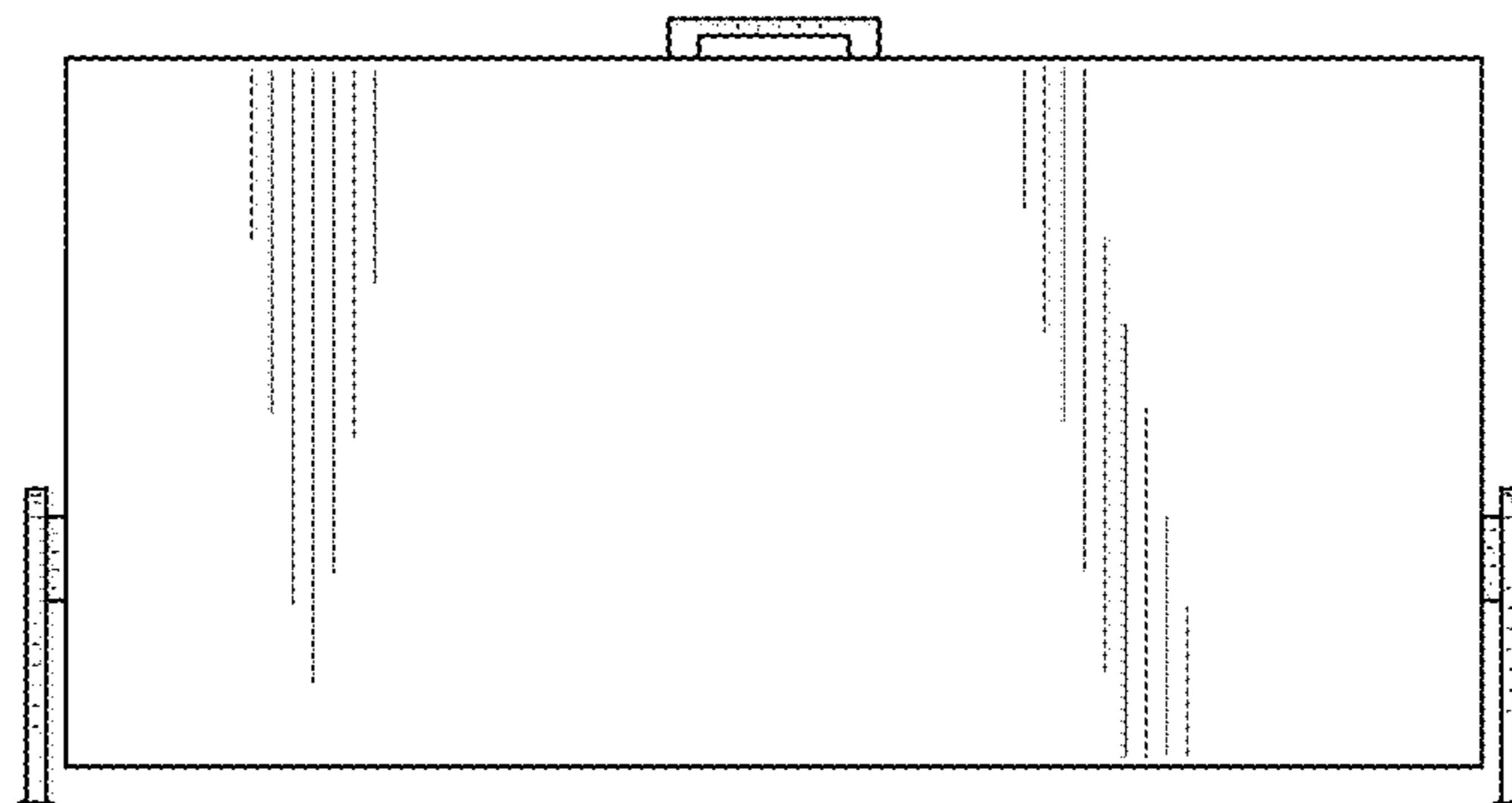


FIG. 14