



US00D845665S

(12) **United States Design Patent** (10) **Patent No.:** **US D845,665 S**
Jensen (45) **Date of Patent:** **** Apr. 16, 2019**

(54) **SHOWER ACCESSORY CONTAINER**
(71) Applicant: **Lifestyle Products, LLC**, Logan, UT (US)
(72) Inventor: **Robyn Jensen**, Hyde Park, UT (US)
(73) Assignee: **Lifestyle Products LLC**, Logan, UT (US)
(**) Term: **15 Years**
(21) Appl. No.: **29/641,945**

D606,348 S * 12/2009 White D6/553
D613,981 S * 4/2010 Cobb D6/515
D614,427 S * 4/2010 Nejad D6/553
D636,201 S * 4/2011 Kolano D6/553
D642,841 S * 8/2011 Dretzka D6/553
D694,037 S * 11/2013 Primeau D6/514
D699,972 S * 2/2014 Lee D6/553
D701,394 S * 3/2014 Lin D6/534
D704,949 S * 5/2014 Rodriguez D6/513
D731,187 S * 6/2015 Thompson D3/315
D732,828 S * 6/2015 Thompson D3/315
D774,762 S * 12/2016 Aller D3/304
D794,893 S * 8/2017 Libman D32/55
D794,978 S * 8/2017 Spencer D6/545
D819,972 S * 6/2018 Chang D3/315

* cited by examiner

(22) Filed: **Mar. 26, 2018**
(51) **LOC (11) Cl.** **23-02**
(52) **U.S. Cl.**
USPC **D6/545**
(58) **Field of Classification Search**
USPC D6/524–525, 566, 536, 540, 567, 570,
D6/532, 545; 211/13.1, 74, 71.01, 86.01,
211/75, 126.1, 133.5, 181.1, 134;
D3/304; D15/79–81; D7/603–608, 629
CPC B01D 35/00; B01D 35/02; B01D 35/27;
B01D 29/37; B01D 35/28; A47J 47/20;
A47J 43/24

Primary Examiner — David G Muller
Assistant Examiner — Nathan M Johnston
(74) *Attorney, Agent, or Firm* — Preston P. Frischknecht;
Project CIP

See application file for complete search history.

(57) **CLAIM**

The ornamental design for a shower accessory container, as shown and described.

DESCRIPTION

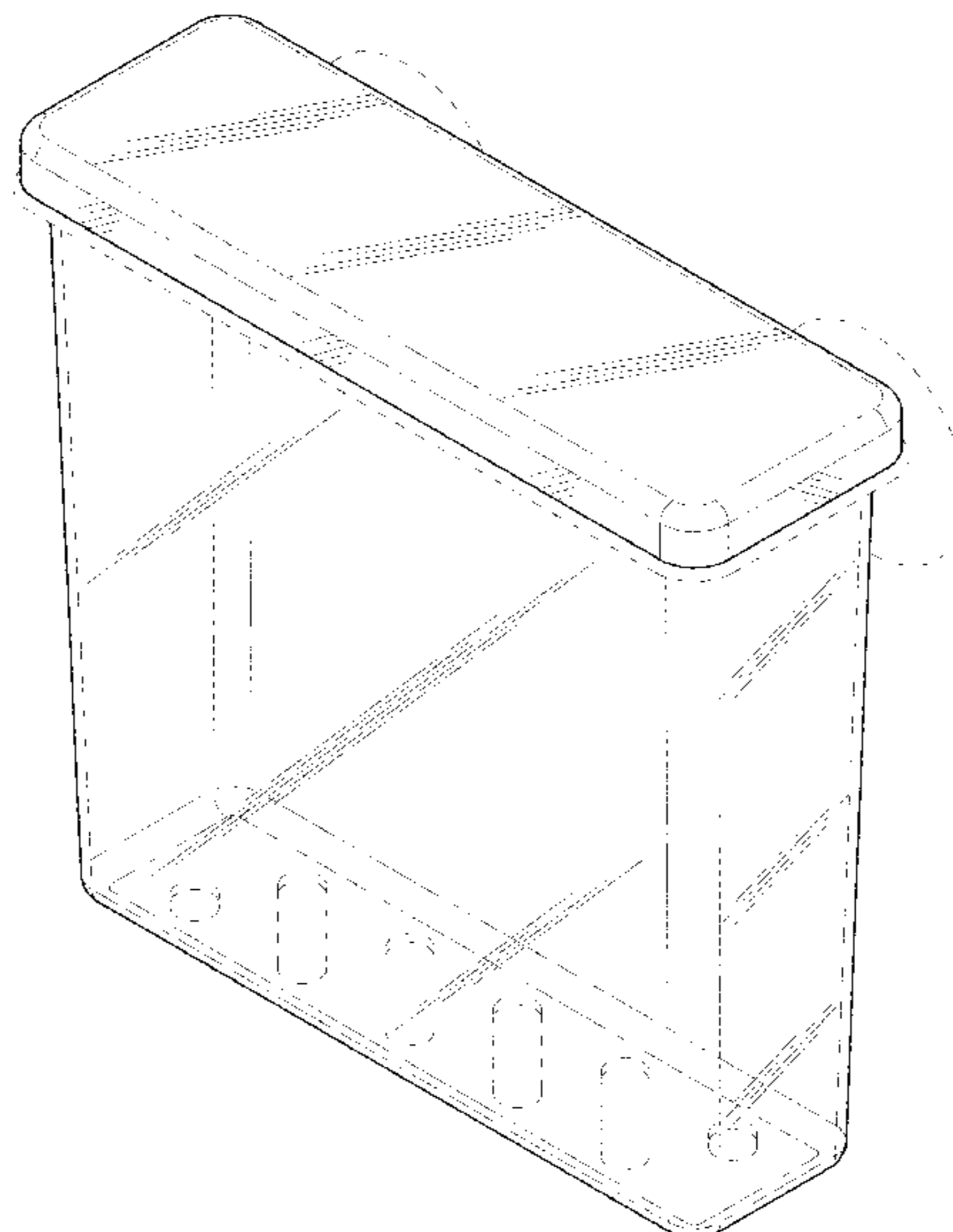
FIG. 1 is a front isometric view of a shower accessory container showing my new design;
FIG. 2 is a rear isometric front view thereof;
FIG. 3 is a front elevation view thereof;
FIG. 4 is a rear elevation view thereof;
FIG. 5 is a right side elevation view thereof;
FIG. 6 is a left side elevation view thereof;
FIG. 7 is a bottom plan view thereof;
FIG. 8 is a top plan view thereof; and,
FIG. 9 is an exploded view thereof.
The broken lines show portions of the design that form no part of the claimed design.

(56) **References Cited**

U.S. PATENT DOCUMENTS

D416,416 S * 11/1999 Kelso D6/525
D434,880 S * 12/2000 McNary D30/101
D436,253 S * 1/2001 Licari D3/304
D483,587 S * 12/2003 Snell D6/525
D486,022 S * 2/2004 Shamoon D6/553
D512,255 S * 12/2005 Snell D6/567
D532,235 S * 11/2006 Snell D6/567
D535,842 S * 1/2007 Wood D6/567
D536,560 S * 2/2007 Hajianpour D6/518
D555,895 S * 11/2007 Lalier D3/205
D563,136 S * 3/2008 Kramer D6/553

1 Claim, 8 Drawing Sheets



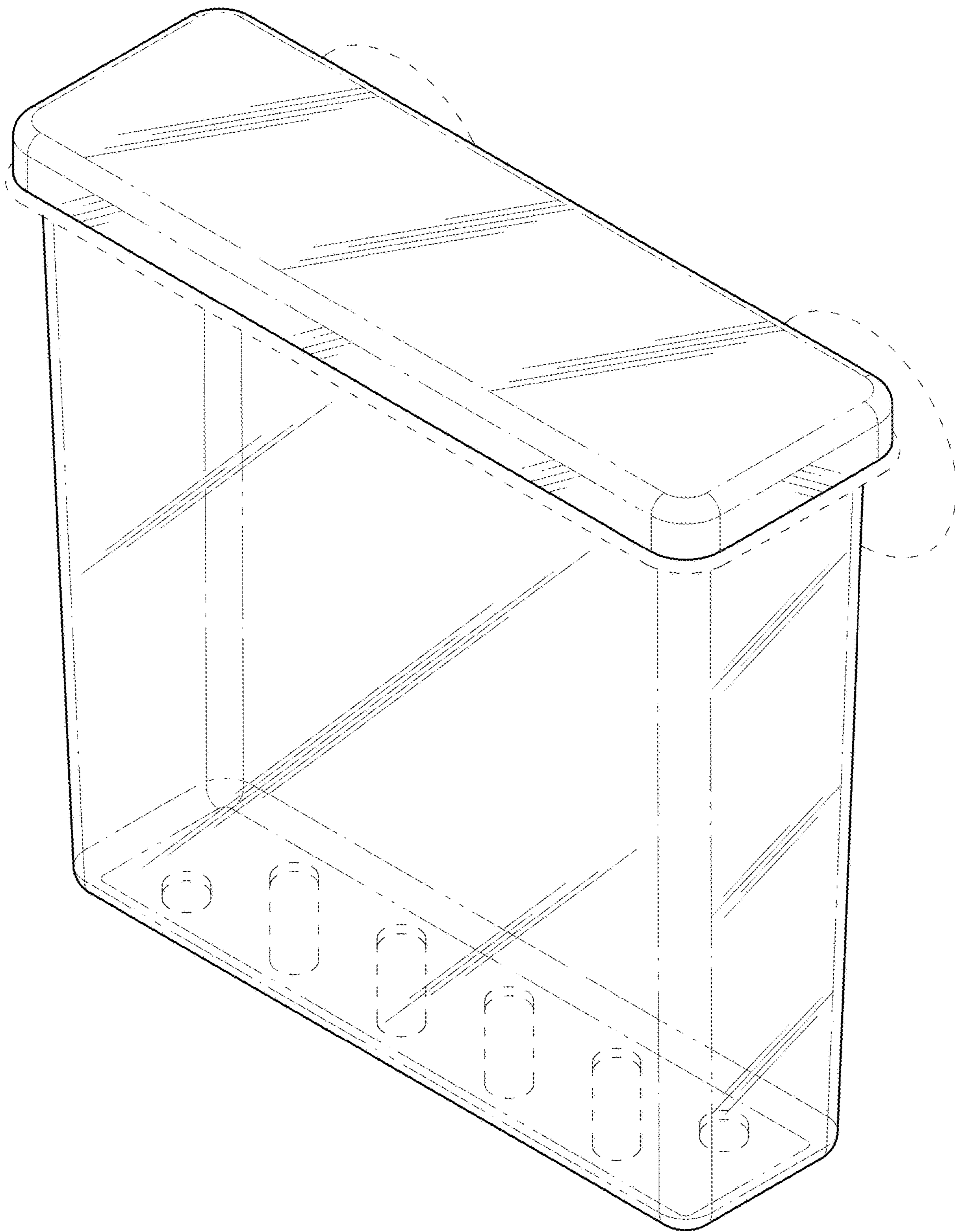


FIG. 1

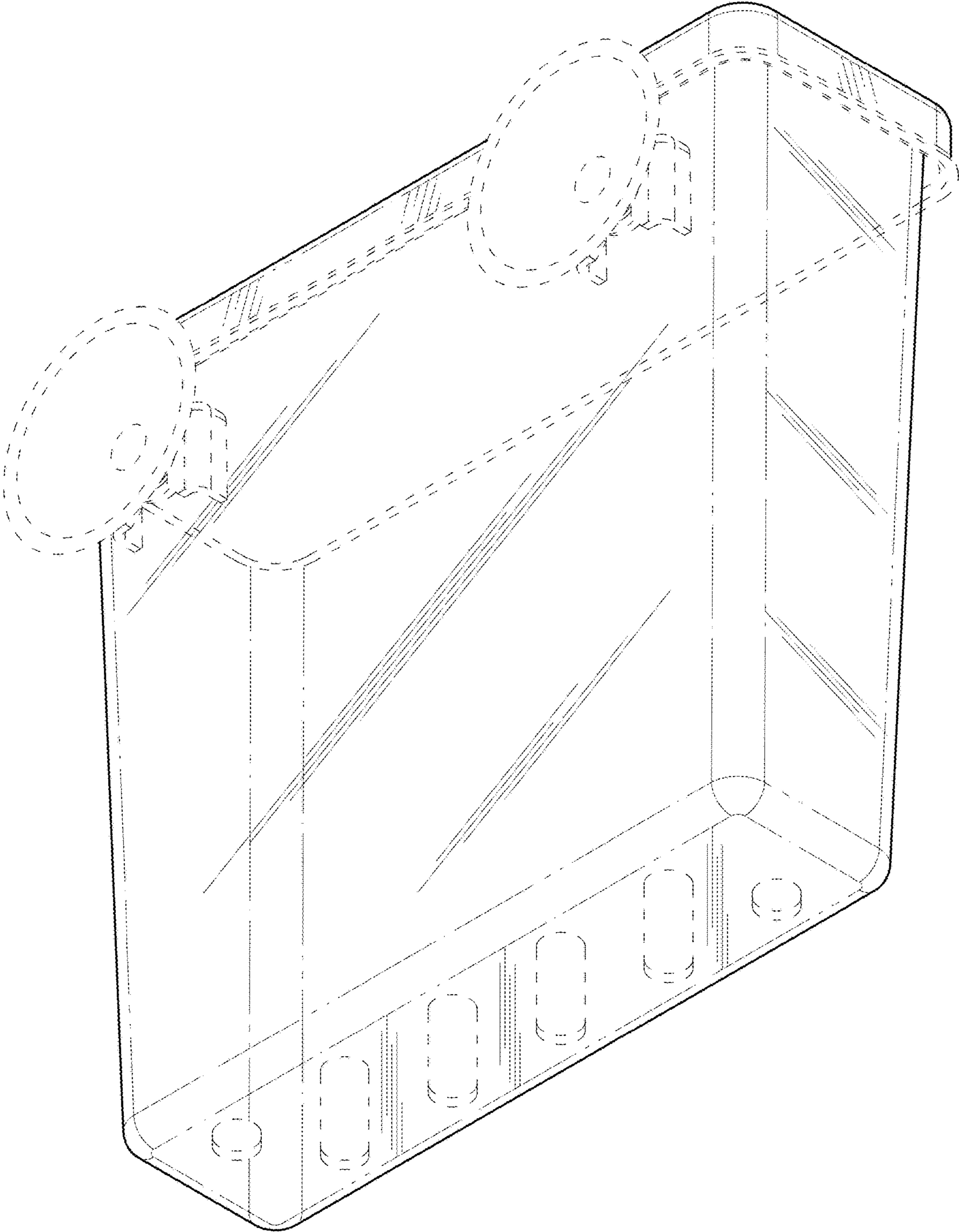


FIG. 2

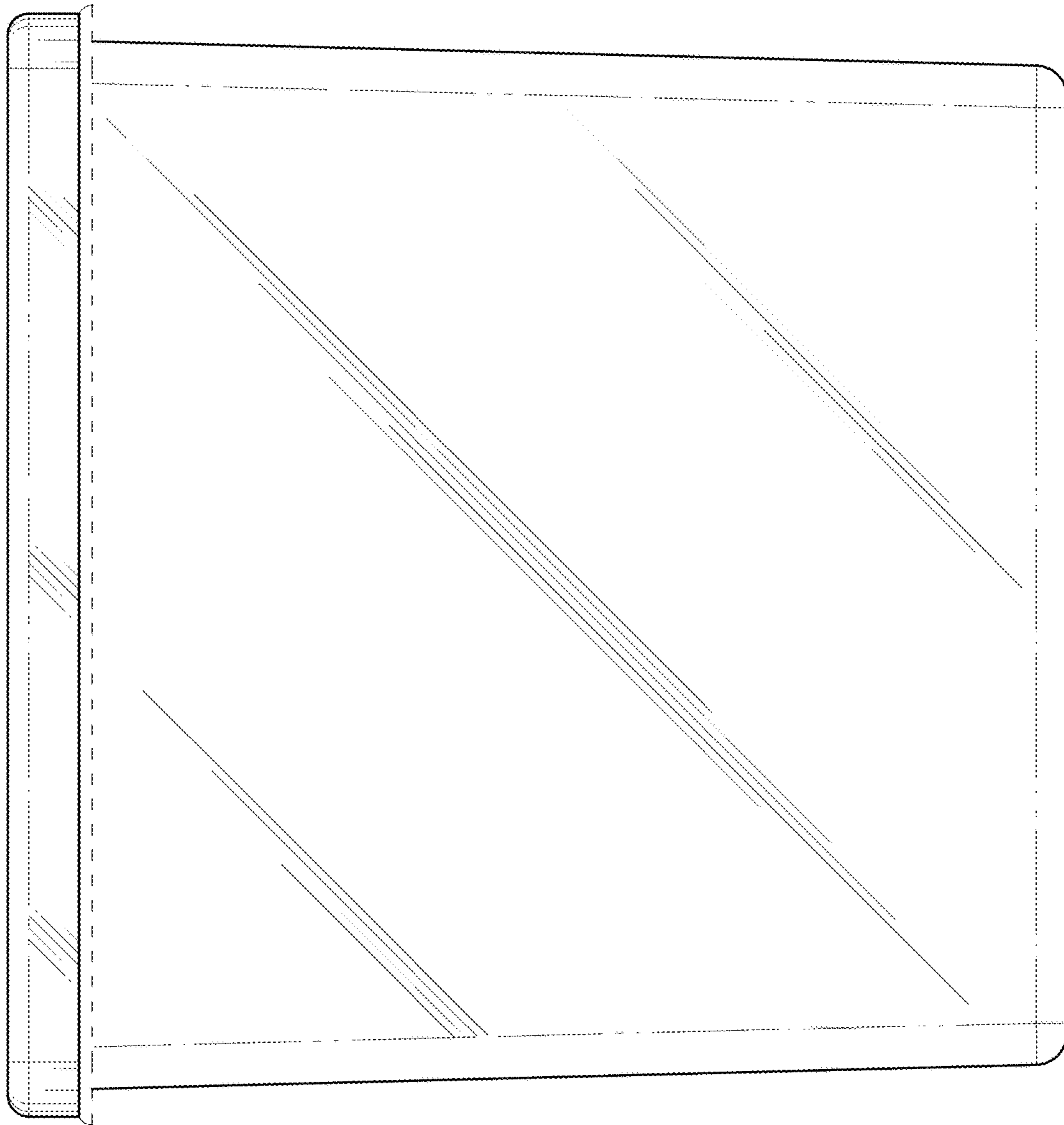


FIG. 3

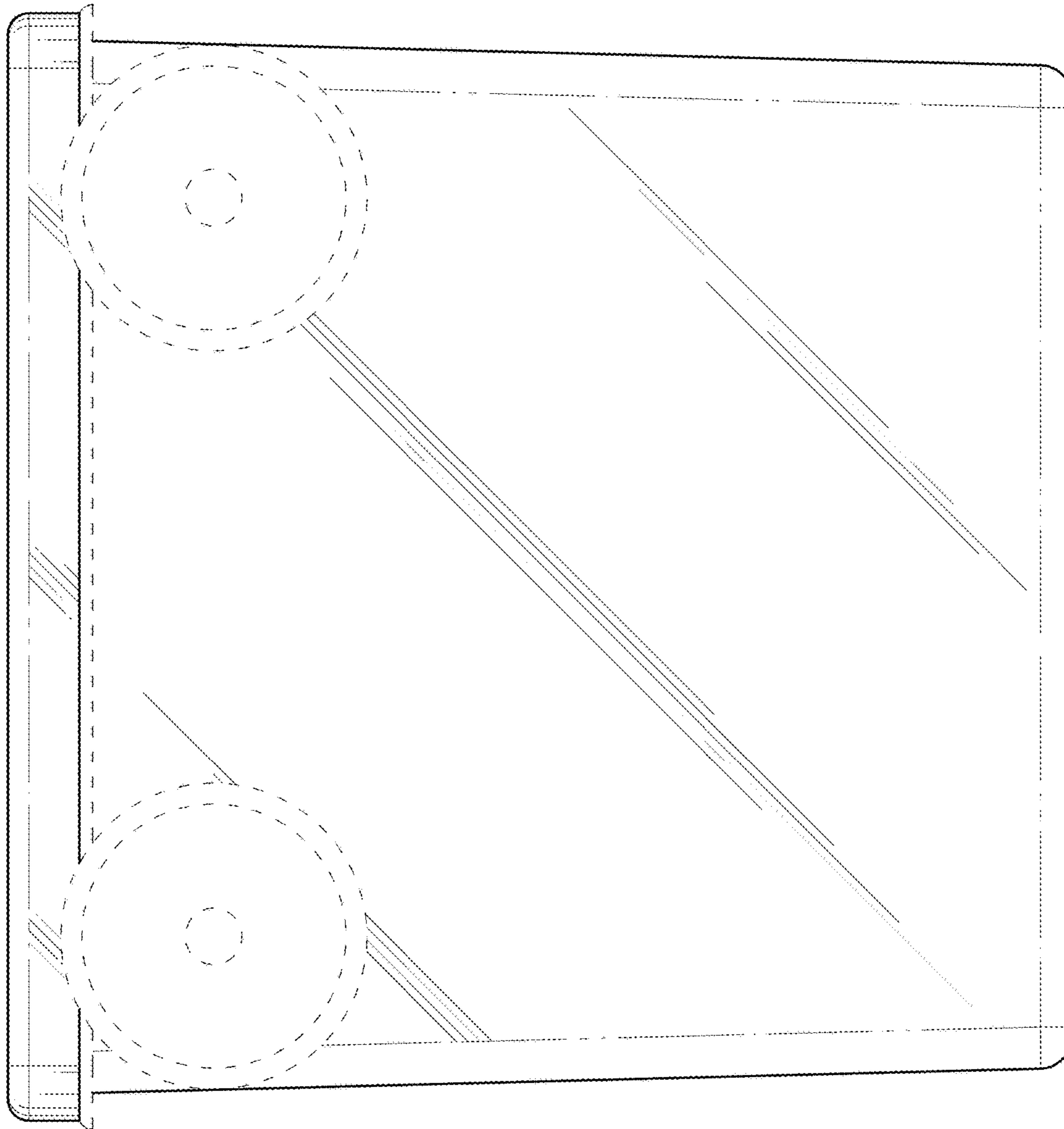


FIG. 4

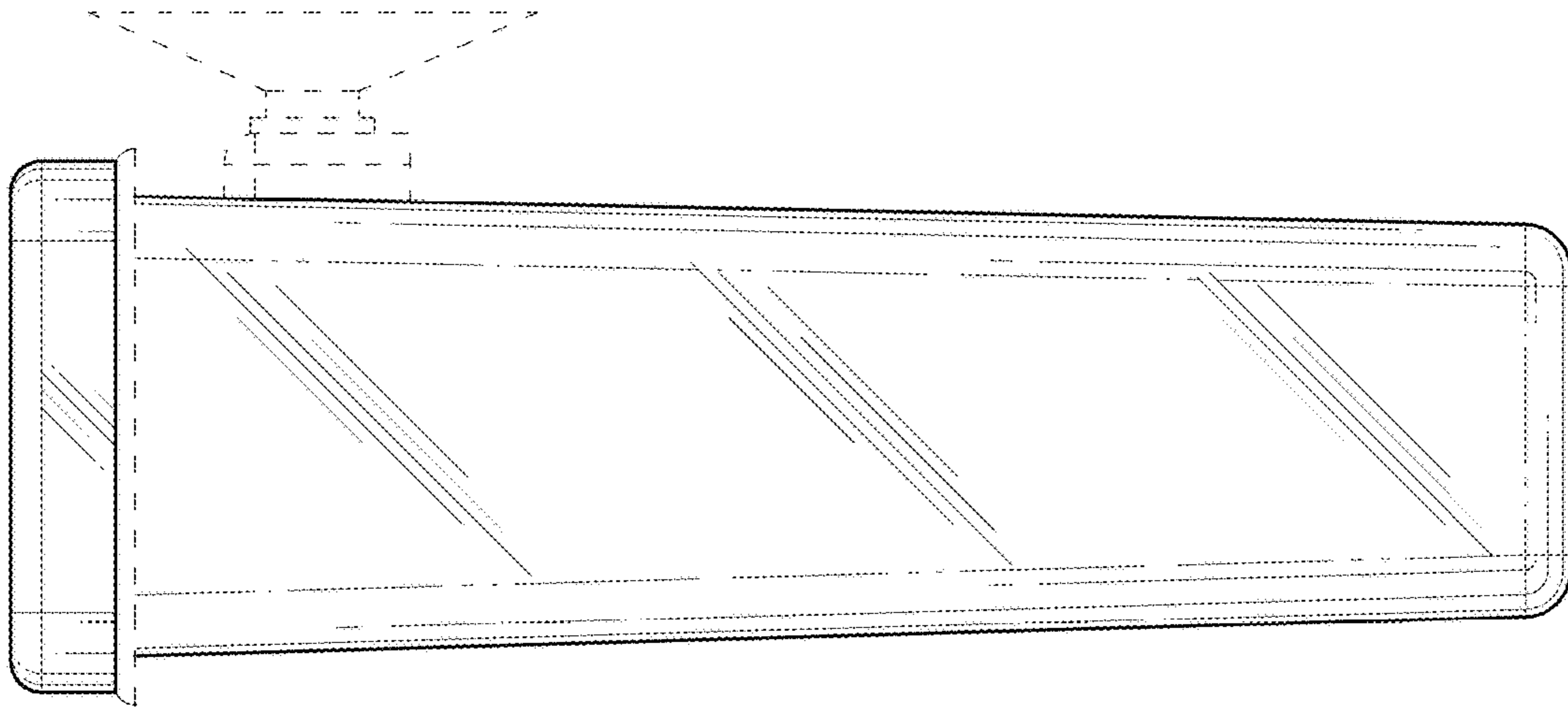


FIG. 6

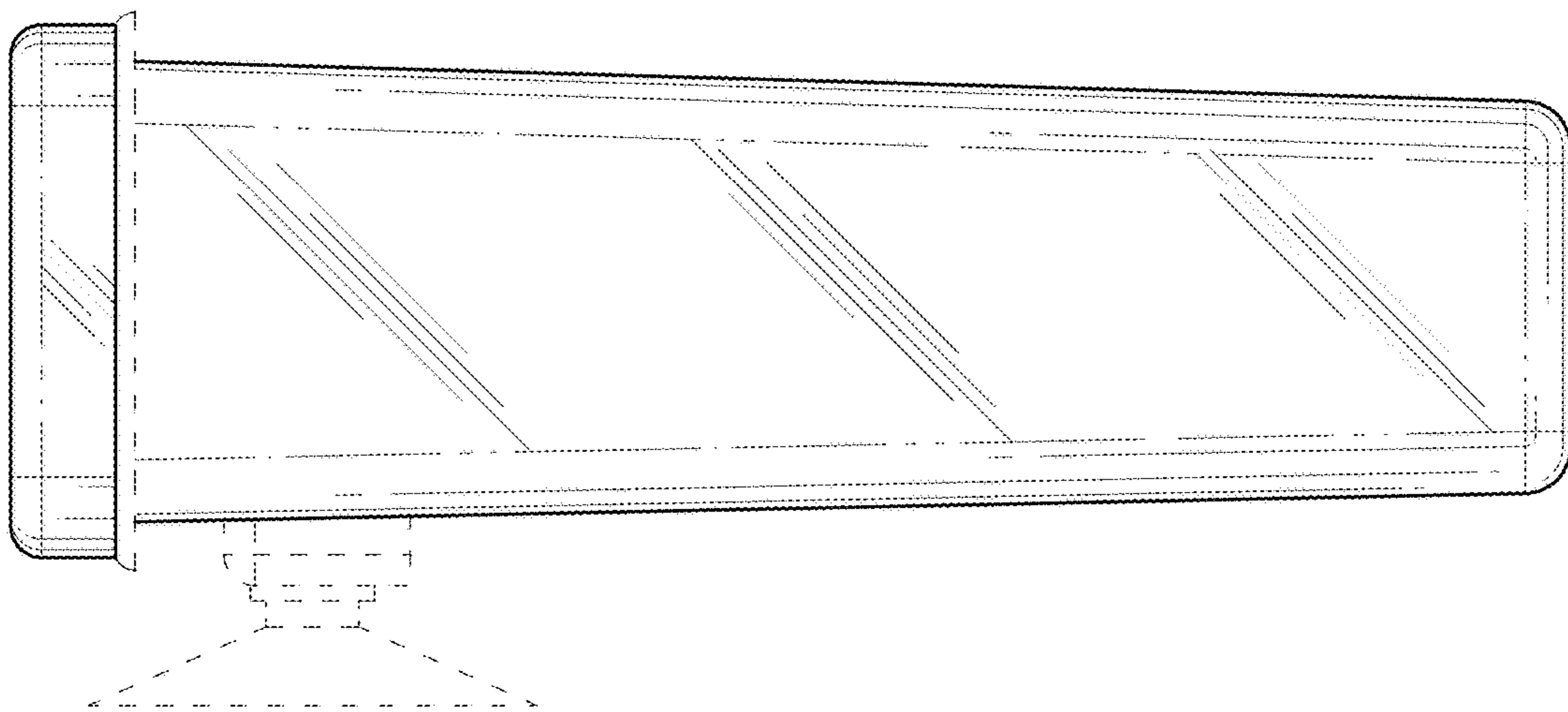


FIG. 5

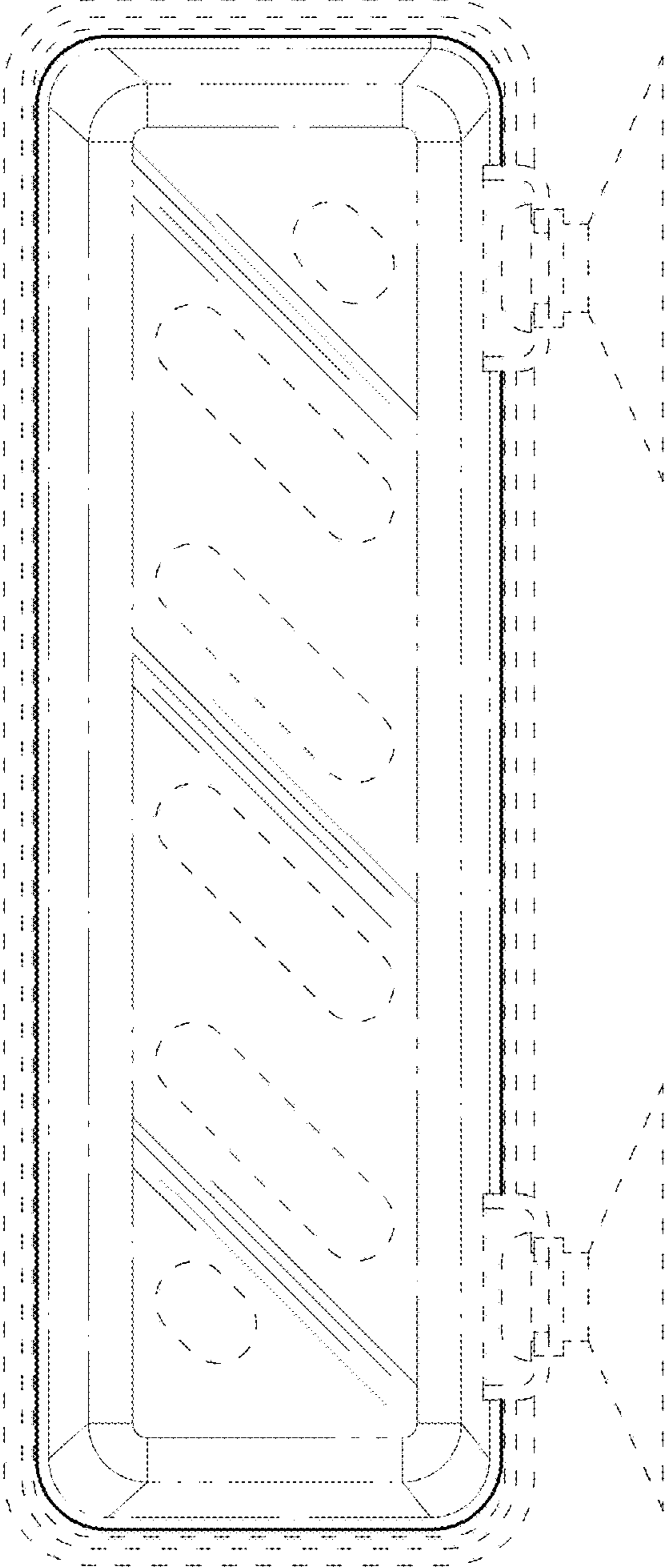


FIG. 7

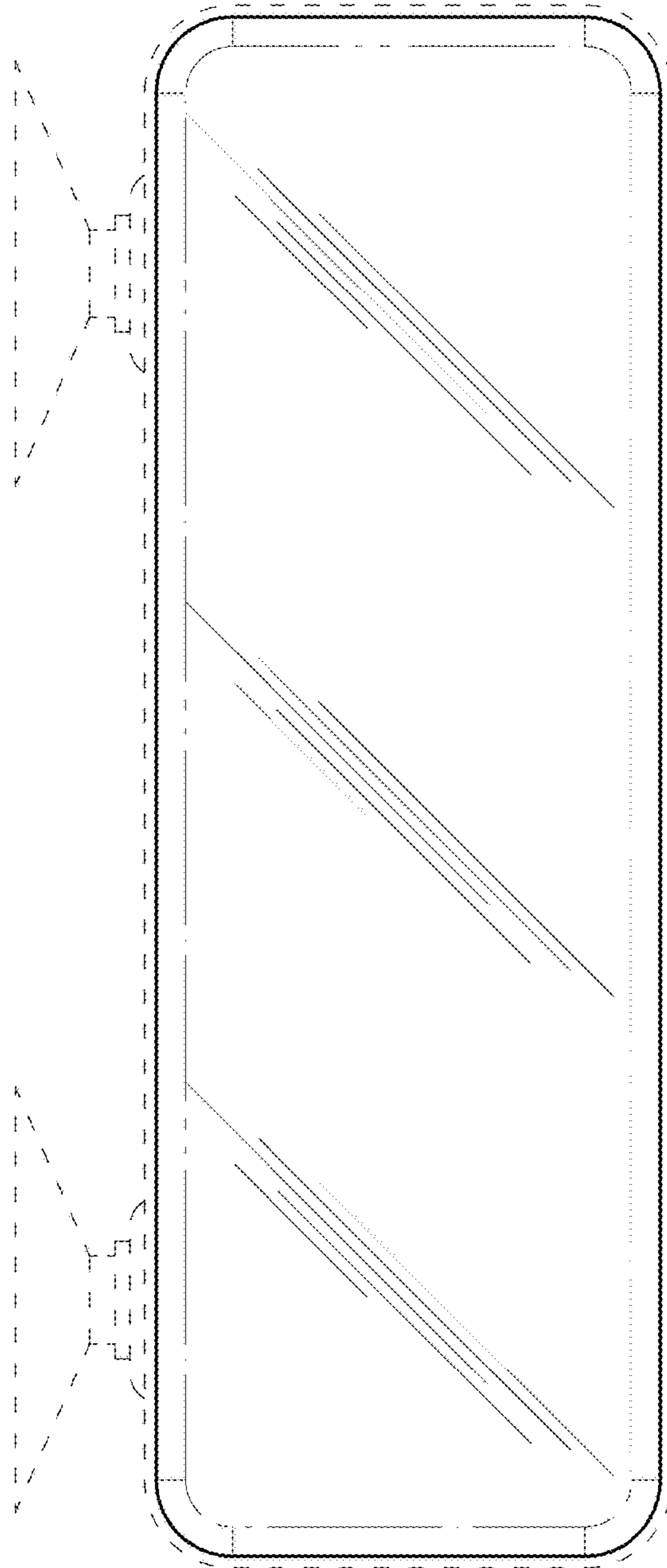


FIG. 8

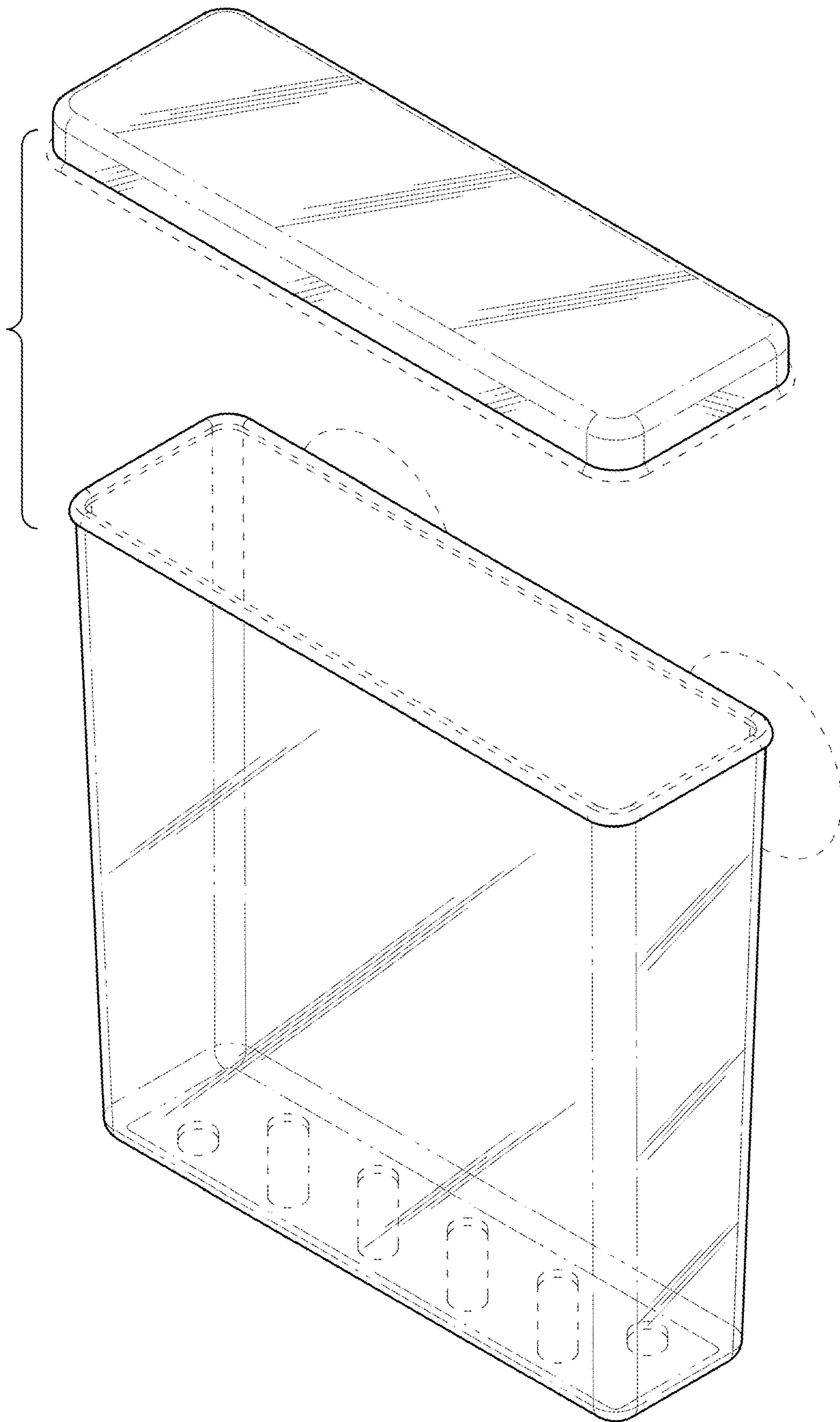


FIG. 9