



US00D845664S

(12) **United States Design Patent** (10) **Patent No.:** **US D845,664 S**
Jensen (45) **Date of Patent:** **** Apr. 16, 2019**

(54) **SHOWER ACCESSORY CONTAINER**
(71) Applicant: **Lifestyle Products, LLC**, Logan, UT (US)
(72) Inventor: **Robyn Jensen**, Hyde Park, UT (US)
(73) Assignee: **Lifestyle Products LLC**, Logan, UT (US)
(**) Term: **15 Years**
(21) Appl. No.: **29/641,943**
(22) Filed: **Mar. 26, 2018**
(51) **LOC (11) Cl.** **23-02**
(52) **U.S. Cl.**
USPC **D6/545**
(58) **Field of Classification Search**
USPC D6/524-525, 566, 536, 540, 567, 570, D6/532, 545; 211/13.1, 74, 71.01, 86.01, 211/75, 126.1, 133.5, 181.1, 134; D3/304; D15/79-81; D7/603-608, 629
CPC B01D 35/00; B01D 35/02; B01D 35/27; B01D 29/37; B01D 35/28; A47J 47/20; A47J 43/24
See application file for complete search history.

D555,895 S *	11/2007	Lalier	D3/205
D563,136 S *	3/2008	Kramer	D6/553
D566,361 S *	4/2008	Snell	D32/55
D614,427 S *	4/2010	Nejad	D6/553
D636,201 S *	4/2011	Kolano	D6/553
D642,841 S *	8/2011	Dretzka	D6/553
D694,037 S *	11/2013	Primeau	D6/514
D699,972 S *	2/2014	Lee	D6/553
D701,394 S *	3/2014	Lin	D6/534
D704,949 S *	5/2014	Rodriguez	D6/513
D731,187 S *	6/2015	Thompson	D3/315
D732,828 S *	6/2015	Thompson	D3/315
D774,762 S *	12/2016	Aller	D3/304
D794,893 S *	8/2017	Libman	D32/55
D794,978 S *	8/2017	Spencer	D6/545
D819,972 S *	6/2018	Chang	D3/315

* cited by examiner

Primary Examiner — David G Muller
Assistant Examiner — Nathan M Johnston
(74) *Attorney, Agent, or Firm* — Preston P. Frischknecht; Project CIP

(57) **CLAIM**

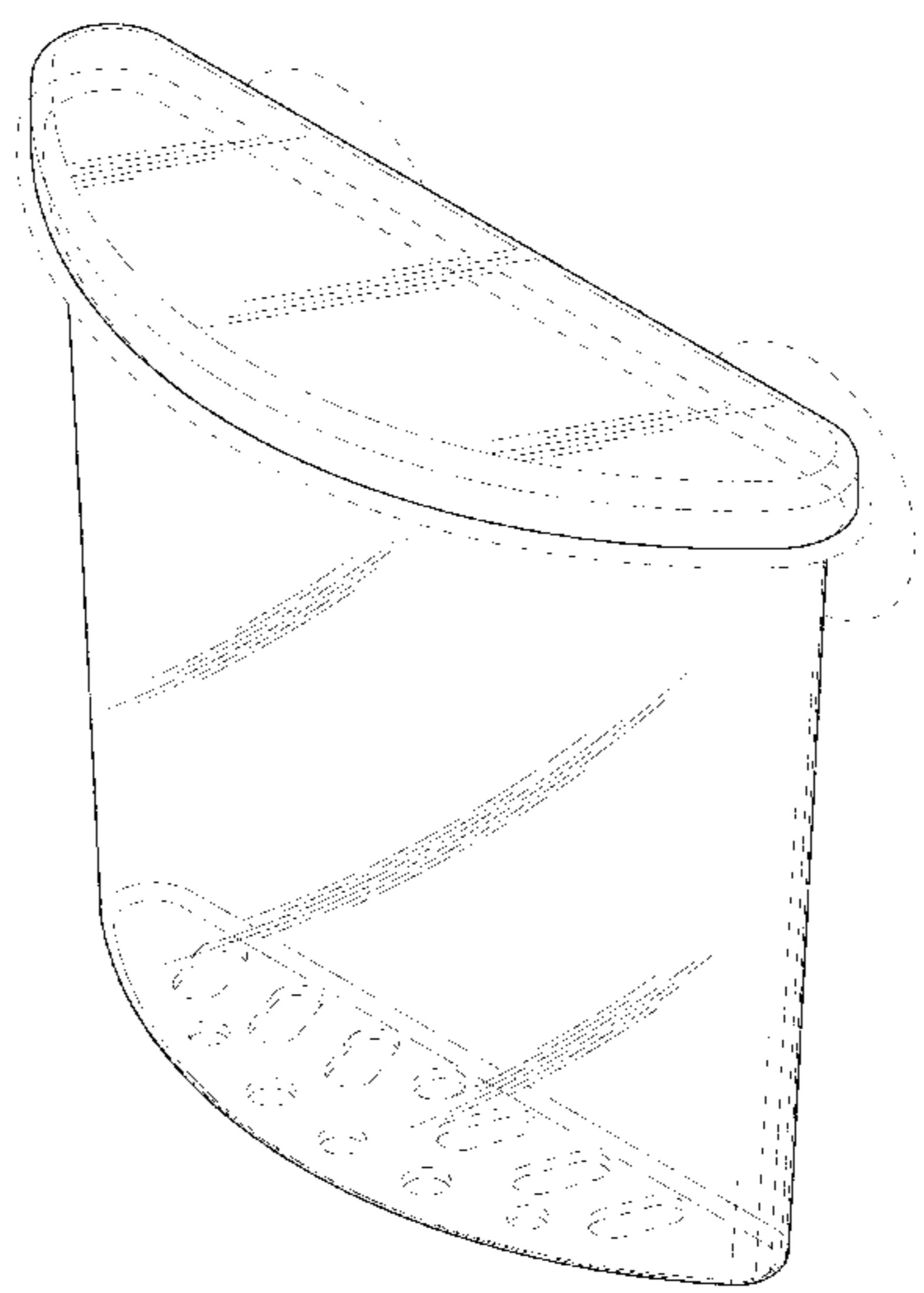
The ornamental design for a shower accessory container, as shown and described.

DESCRIPTION

FIG. 1 is a front isometric view of a shower accessory container showing my new design;
FIG. 2 is a rear isometric front view thereof;
FIG. 3 is a front elevation view thereof;
FIG. 4 is a rear elevation view thereof;
FIG. 5 is a right side elevation view thereof;
FIG. 6 is a left side elevation view thereof;
FIG. 7 is a bottom plan view thereof;
FIG. 8 is a top plan view thereof; and,
FIG. 9 is an exploded view thereof.
The broken lines show portions of the design that form no part of the claimed design.

1 Claim, 8 Drawing Sheets

(56) **References Cited**
U.S. PATENT DOCUMENTS
3,782,799 A * 1/1974 Hansen A47K 1/09 211/DIG. 1
D423,845 S * 5/2000 Coffin D6/526
D429,399 S * 8/2000 Swanson D34/1
D434,880 S * 12/2000 McNary D30/101
D483,587 S * 12/2003 Snell D6/525
D486,022 S * 2/2004 Shamoon D6/553
D512,255 S * 12/2005 Snell D6/567
D532,235 S * 11/2006 Snell D6/567
D535,842 S * 1/2007 Wood D6/567
D536,560 S * 2/2007 Hajianpour D6/518



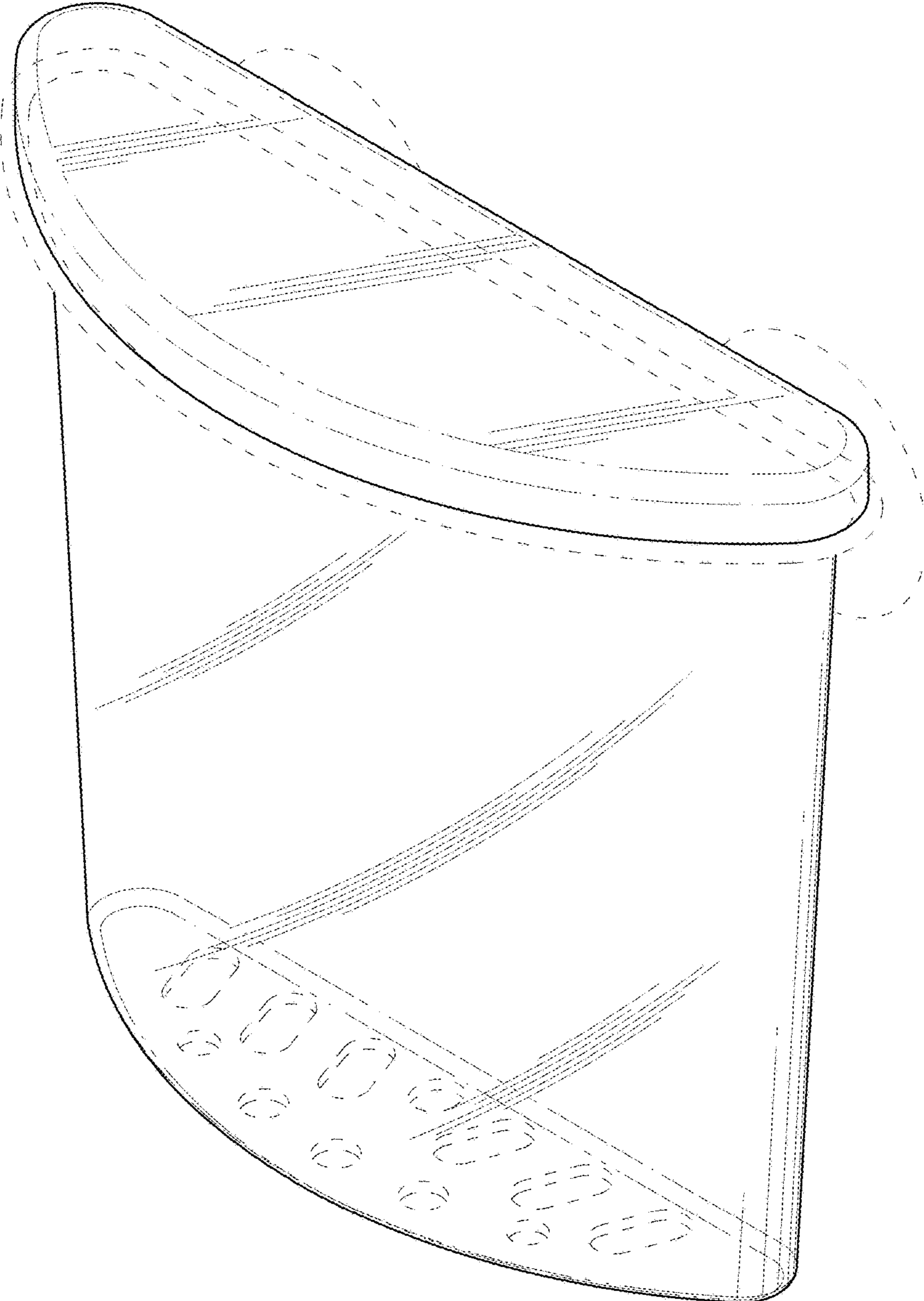


FIG. 1

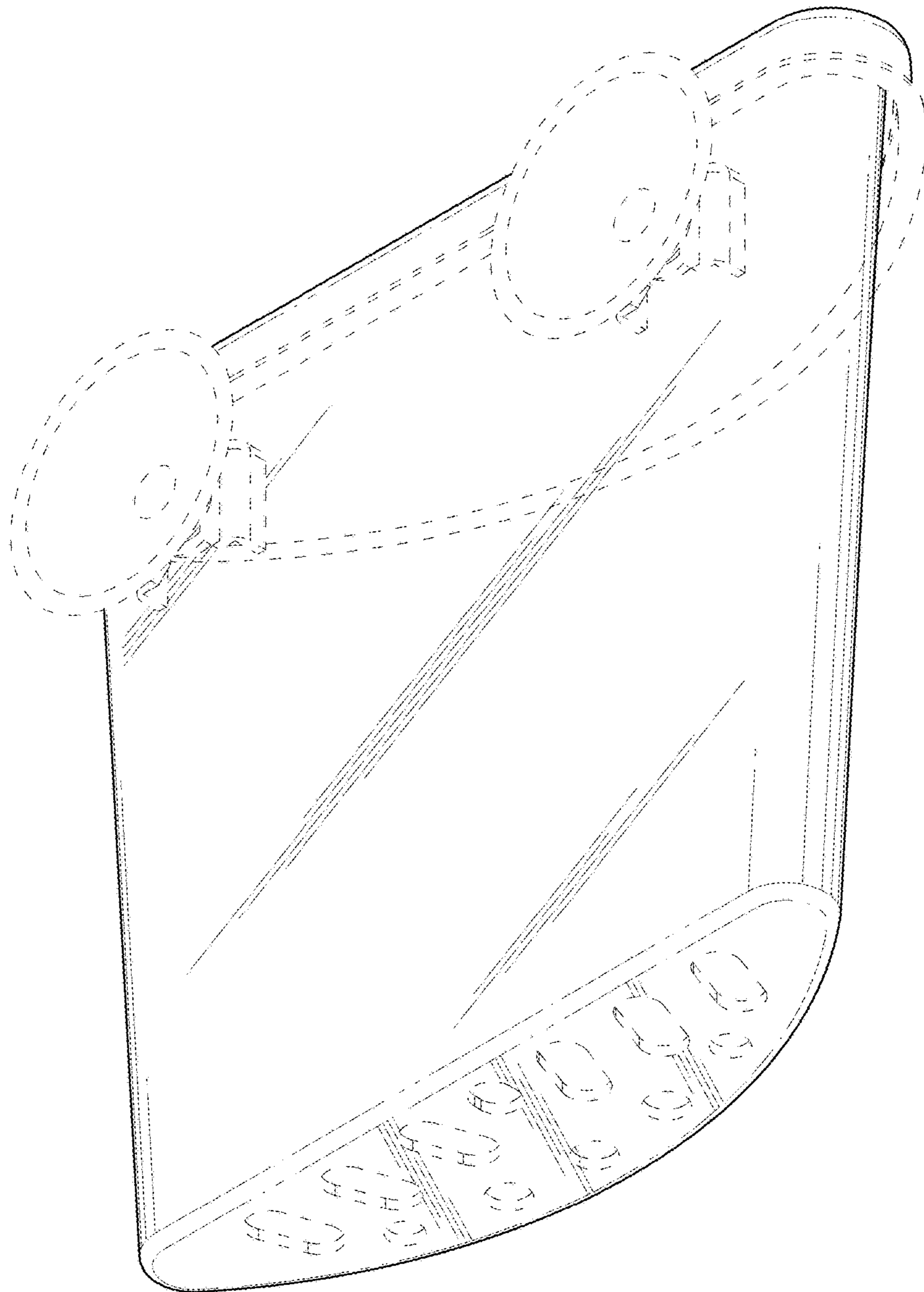


FIG. 2

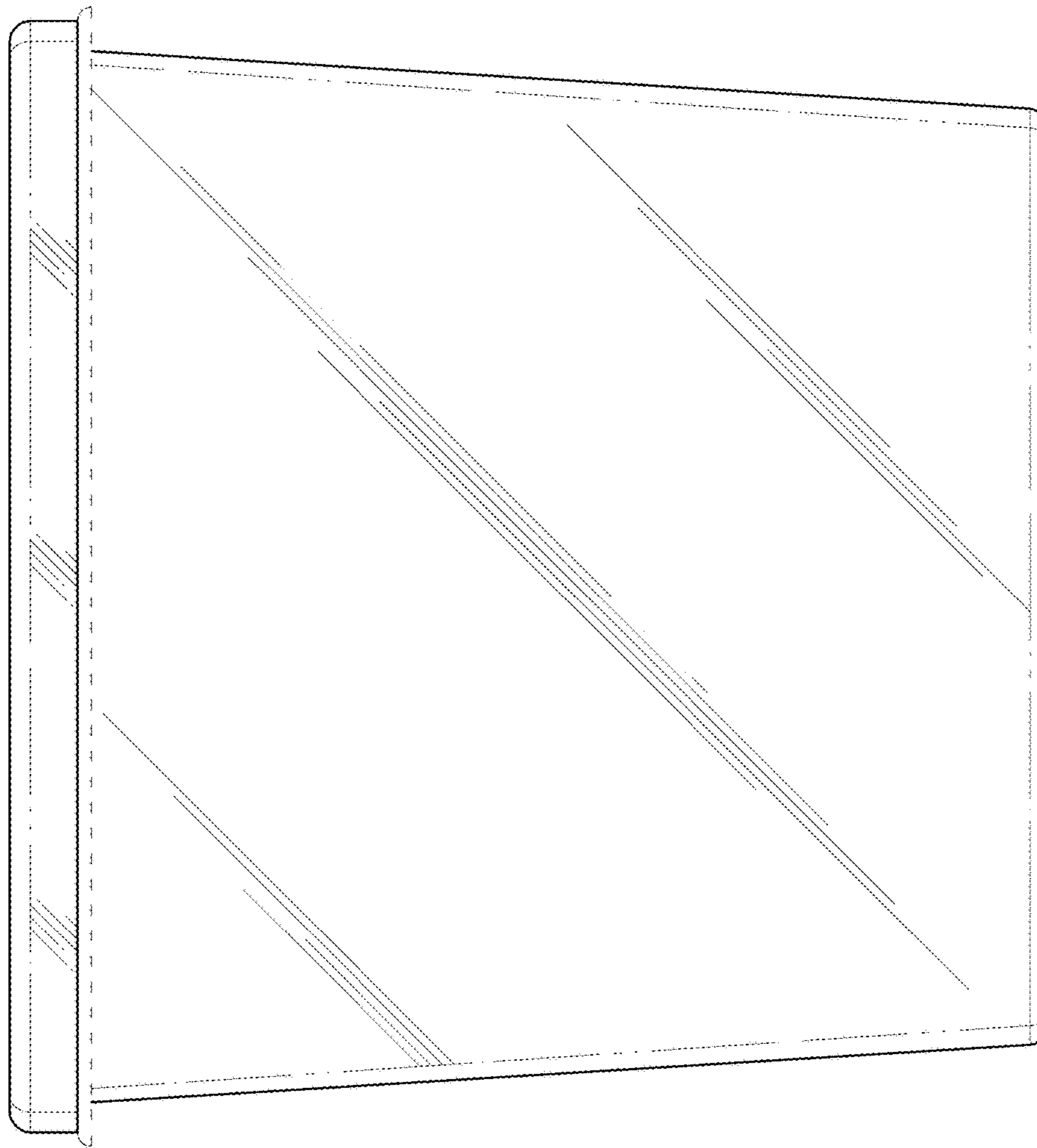


FIG. 3

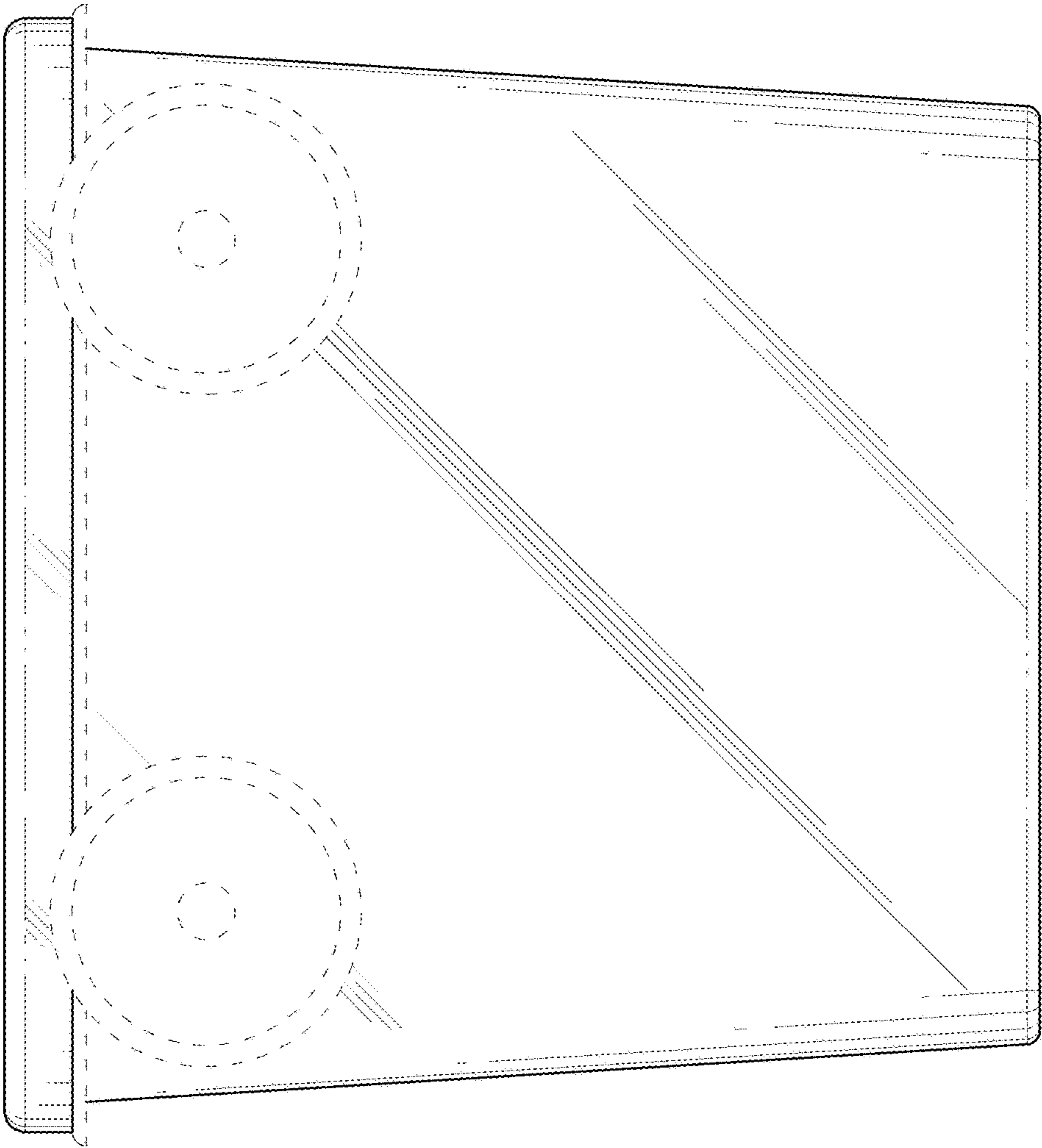


FIG. 4

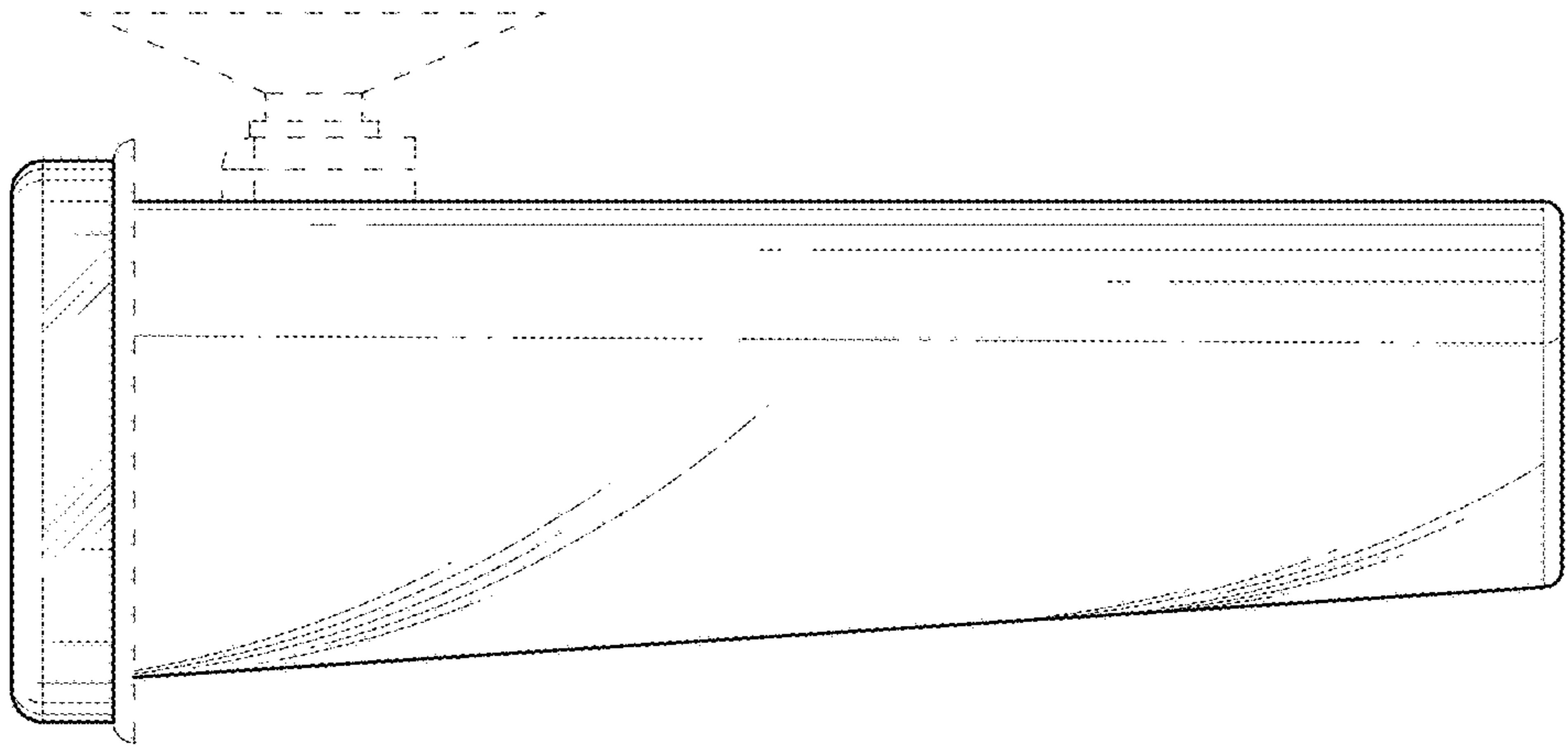


FIG. 6

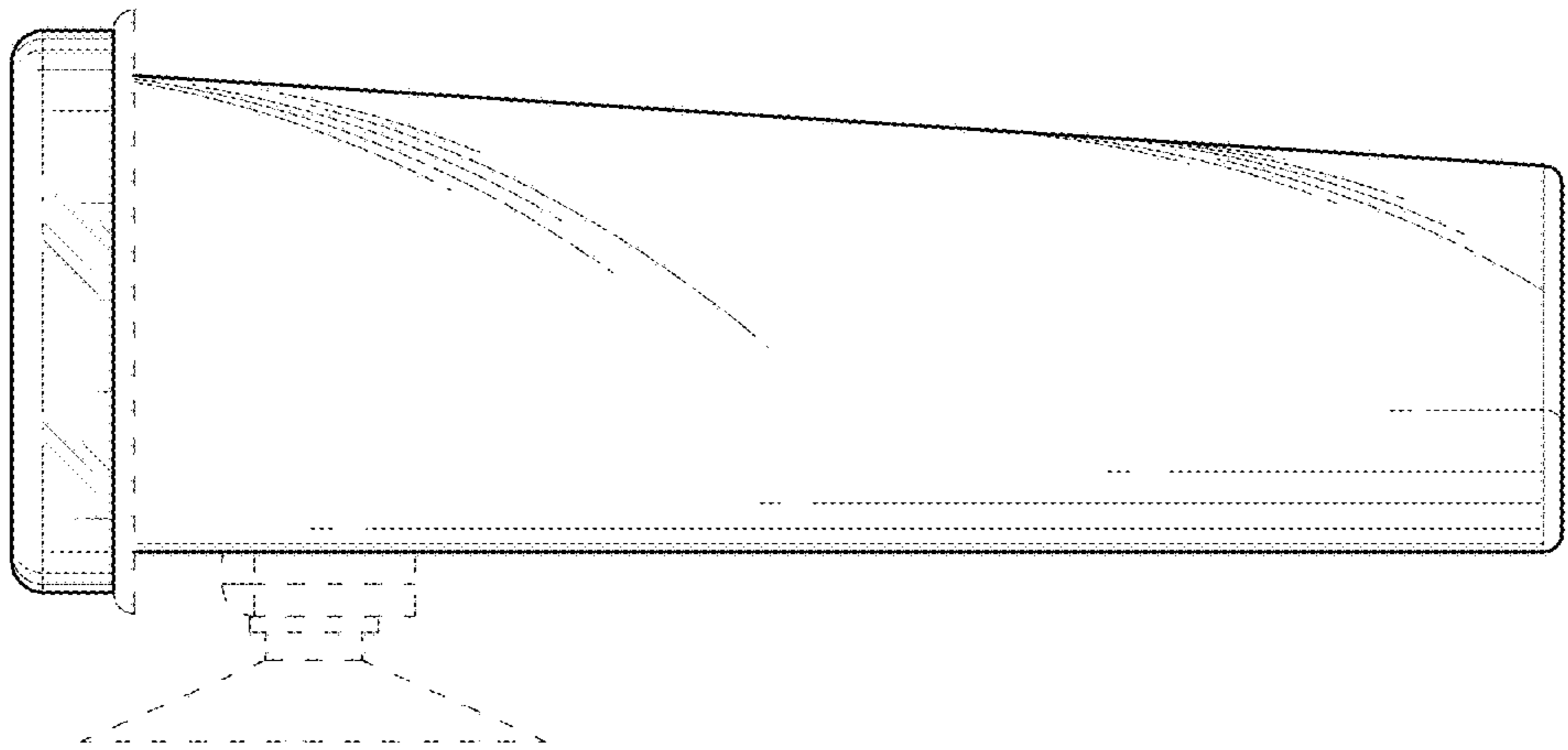


FIG. 5

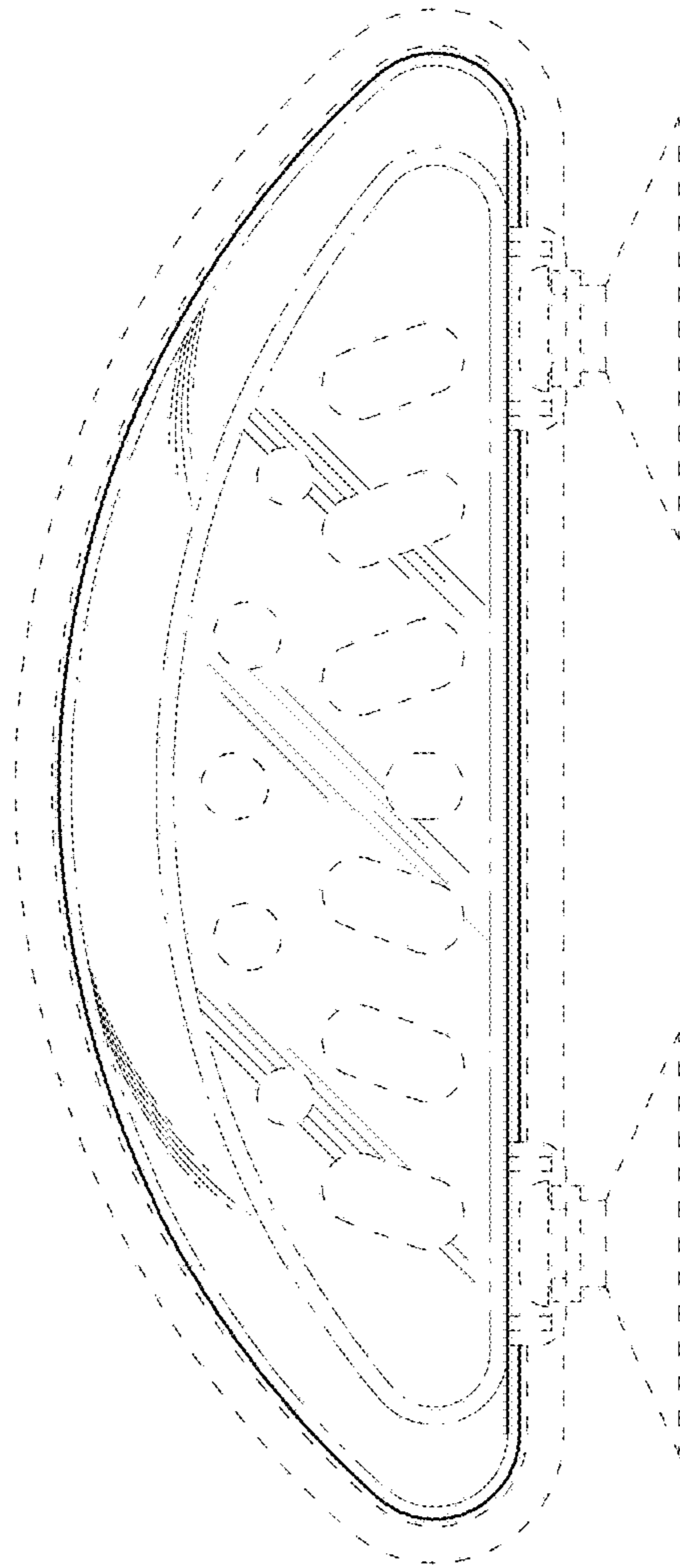


FIG. 7

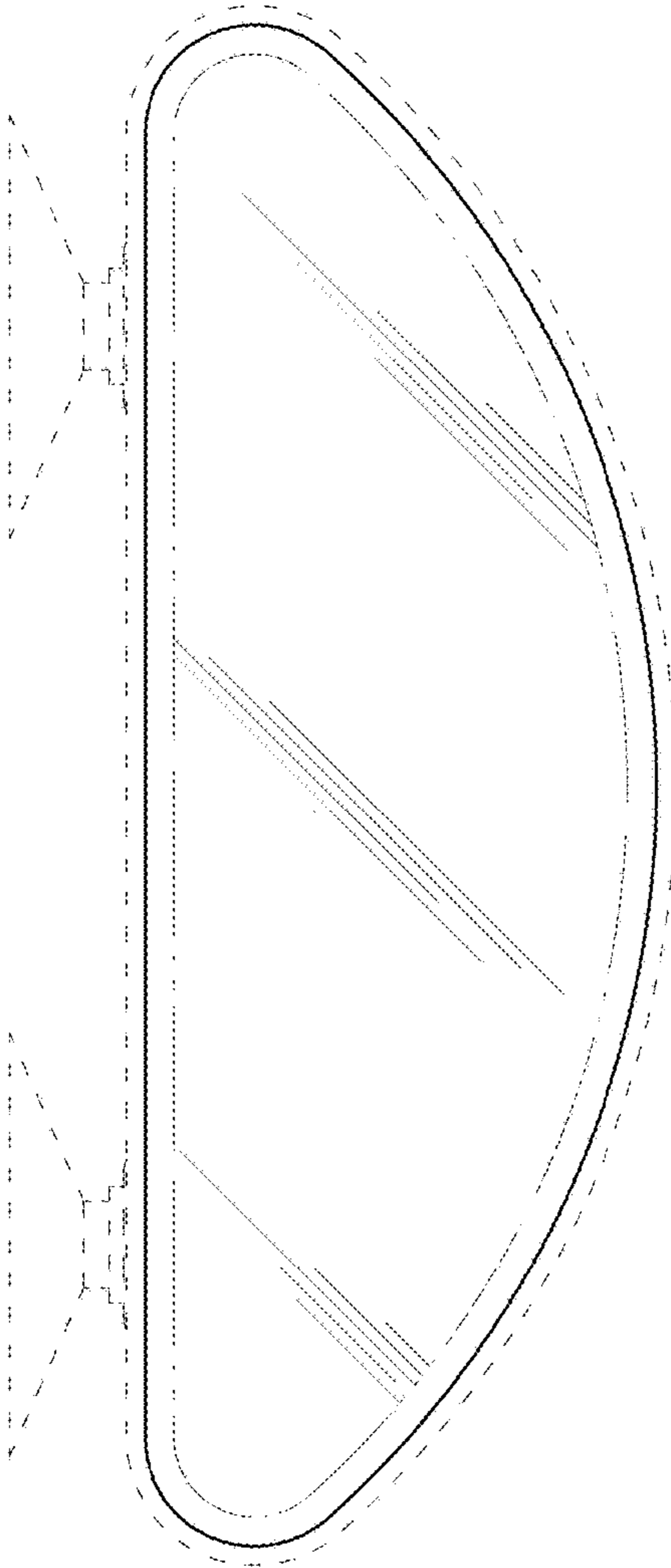


FIG. 8

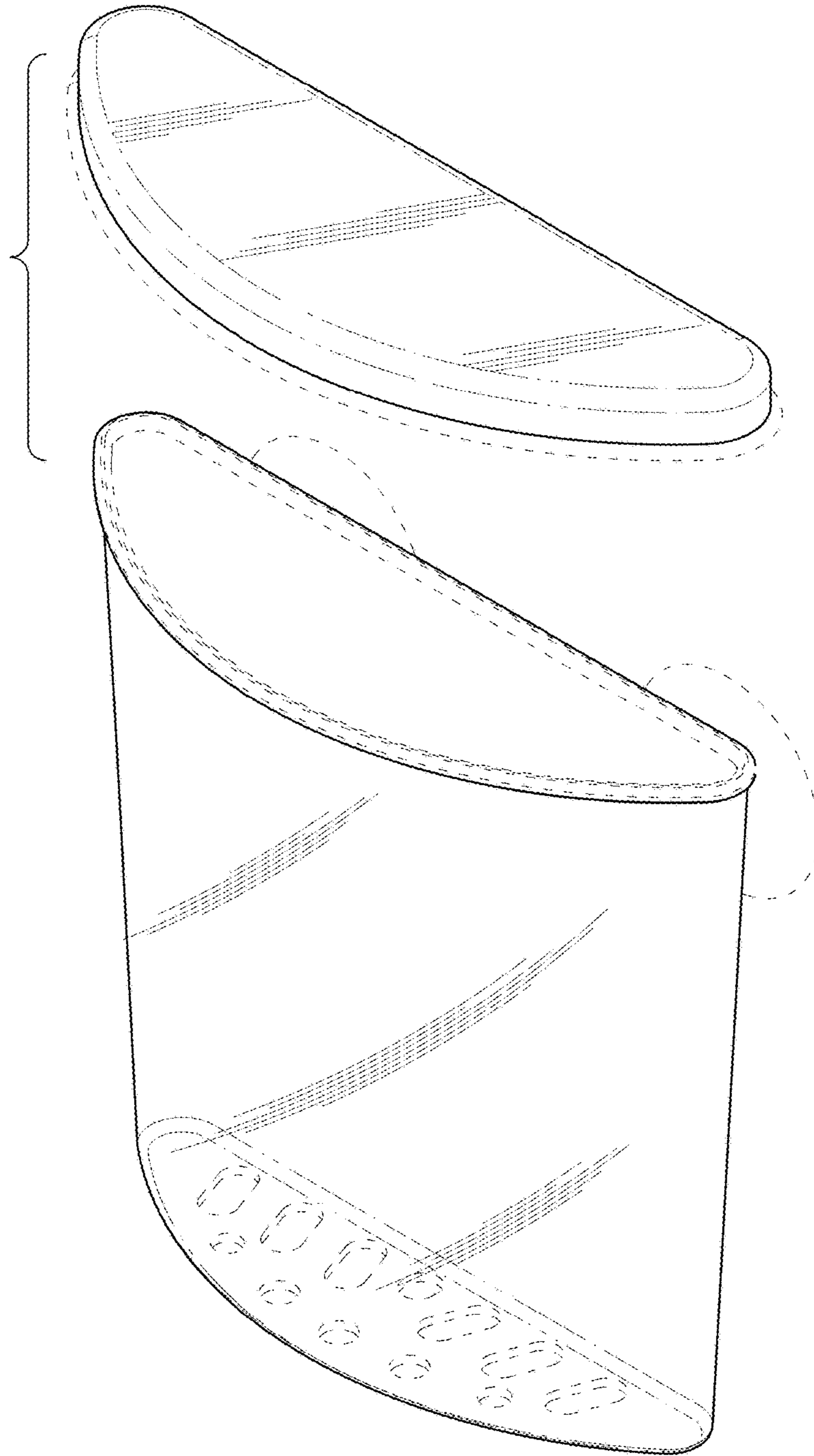


FIG. 9